

## The Mighty Max MM-1300 Model Liftgates

Designed for today's full-sized pickup and utility body trucks, the Mighty Max 1300 is built with high performance, low maintenance features.

- 1,300 lb. capacity
- Designed to fit full-sized domestic pickup beds and most popular utility bodies
- Choose from steel, aluminum, or grip strut platforms
- Ramp options increase loadable platform depth
- Direct lift with level ride platform
- Chrome plated cylinder rods
- Platform doubles as the vehicle's tailgate
- Equipped with maintenance-free, grease-free bearings
- Standard key switch protects against unauthorized use
- Oversized, fully enclosed pump and motor ensures increased life and reliability
- Curbside toggle switch is water-resistant and recessed to prevent damage from accidental impact



Model Capacity	Platform Size	Total Weight	Bed Height	Vehicles
MM-1300 (1300 Lbs.)	30" x 49"	406 Lbs.	28" Min. with Body Laden 40" Max. with Body Unladen	Standard Utility/Service Body
	30" x 54"	420 Lbs.		Chevy & GMC (Narrow Body)
	30" x 59"	458 Lbs.		Chevy & GMC Dodge (Ram) Ford

### Optional Features

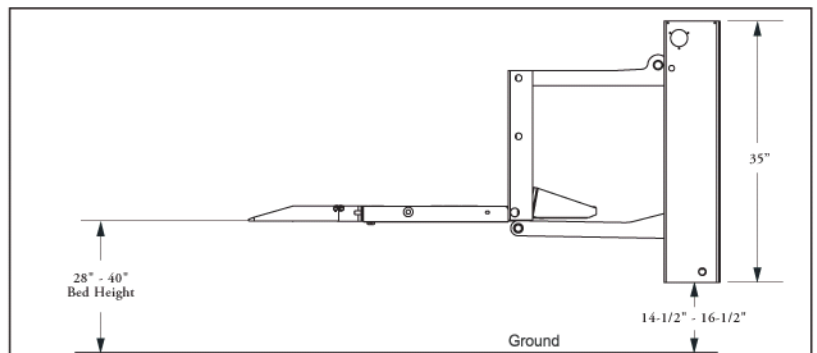
- 6" Flipover Section (increases loadable space by 20%)
- 12" Flipover Section (increases loadable space by 40%)\*
- Cab Power Cut-Off Switch
- Grip Strut Platform (Zinc Plated)
- Aluminum Platform
- Extra Bracket Kit
- Tire Stand for Grip Strut Platform

\* Steel Platform Only

Distributed by:

### Maxon Lift Corp.

11921 Slason Ave., Santa Fe Springs, CA 90670  
Tel: 562.464.0099 • 800.227.4116 • Fax: 888.771.7713  
[www.maxonlift.com](http://www.maxonlift.com)



Lift Dimensions