

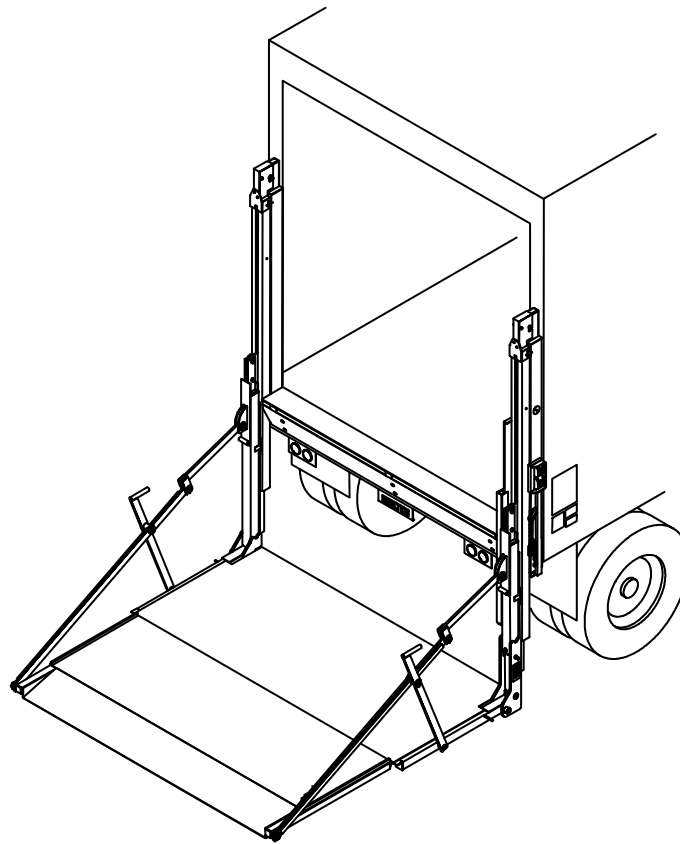
---

# Parts Manual

---

## RGL and RBGL

2000 lb. - 6000 lb. Capacity Rail Lift Liftgates



GR02479

This manual identifies parts for Liftgates manufactured:

**4/2009 to Current**

---

**Waltco Lift Corp.**  
**Corporate Office United State**  
285 Northeast Ave.  
Tallmadge, OH 44278  
P: 330.633.9191  
F: 330.633.1418

**Waltco Lift Corp.**  
**United States**  
620 S Hambledon Ave.  
City of Industry, CA 91744  
P: 626.964.0990  
F: 626.964.0149

**Waltco Lift Inc.**  
**Canada**  
90 North Queen St.  
Etobicoke, ON M8Z 2C5  
P: 888.343.4550

# Table of Contents



Improper operation and maintenance of this liftgate could result in severe personal injury or death.

Read and understand the contents of the owner's manual and all warning and operation decals before operating and/or performing maintenance on this liftgate.

<b>INTRODUCTION .....</b>	<b>3</b>
<b>HOW TO ORDER PARTS .....</b>	<b>4</b>
<b>MODEL INFORMATION.....</b>	<b>5</b>
<b>PLATFORMS.....</b>	<b>PM-841</b>
<b>PLATFORM COMPONENTS .....</b>	<b>PM-439B</b>
<b>PLATFORMS (SINGLE PIECE) .....</b>	<b>PM-443A</b>
<b>RBGL PLATFORMS .....</b>	<b>PM-444</b>
<b>RBGL PLATFORMS (FOLD DOWN RAILS) .....</b>	<b>PM-445</b>
<b>ALUMINUM RAMPS .....</b>	<b>PM-243B</b>
<b>MAIN FRAMES.....</b>	<b>PM-225E</b>
<b>RUNNERS .....</b>	<b>PM-446A</b>
<b>UPPER ROLLERS .....</b>	<b>PM-448</b>
<b>HYDRAULIC &amp; ELECTRICAL.....</b>	<b>PM-533B</b>
<b>SINGLE PUMPS.....</b>	<b>PM-536C</b>
<b>DUAL PUMPS .....</b>	<b>PM-537B</b>
<b>ELECTRICAL AND HYDRAULIC SCHEMATICS.....</b>	

# Introduction

Each Waltco liftgate is manufactured to stringent quality standards for years of reliable service. To ensure maximum performance of your Waltco liftgate, always specify and use “OEM Parts” from Waltco.

This manual does not provide procedures for the servicing and repair of Waltco liftgates. Service and repair should only be performed by an authorized Waltco distributor. For information on the nearest authorized Waltco distributor contact:

**Waltco Lift Corp.**

285 Northeast Avenue

Tallmadge, OH 44278

Phone: 800.411.5685

Fax: 800.411.5684

E-mail: [parts@waltco.com](mailto:parts@waltco.com)



**The use of non-standard or makeshift parts can be extremely hazardous and result in serious injury or death.**



**Every vehicle that has a WALTCO Liftgate must have legible WARNING AND OPERATION DECALS clearly posted on the vehicle and an OWNER'S MANUAL in the vehicle at all times as a guide for proper operation and maintenance.**

# How To Order Parts

**Repairs should be made only by authorized mechanics using WALTCO Replacement parts.**

**When ordering repair or replacement parts, please include all the information asked for below. If this information is not available, a complete written description or sketch of the required part will help WALTCO identify and deliver the needed part to you.**

---

## **THE FOLLOWING INFORMATION MUST BE INCLUDED:**

1. SERIAL NUMBER - [WALTCO liftgate serial numbers can be found on the Specification Tag attached to the mount frame. (On older units the Specification Tag is located on the side or bottom of the platform.)]
2. MODEL NUMBER - [Or capacity]
3. PLATFORM SIZE

---

## **THEN INCLUDE THE FOLLOWING INFORMATION:**

4. PART NUMBERS
5. DESCRIPTION
6. QUANTITY REQUIRED

---

## **MAIL, E-MAIL OR PHONE YOUR REQUEST TO:**

Waltco Truck Equipment Co.  
285 Northeast Avenue  
Tallmadge, OH 44278  
1-800-411-5685  
FAX: 1-800-411-5684  
E-MAIL: parts@waltco.com

**ALL PARTS ARE F.O.B. FROM THE SHIPPING FACTORY**

---

## **PLEASE NOTE:**

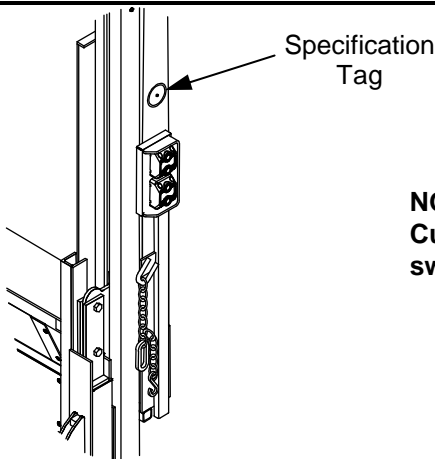
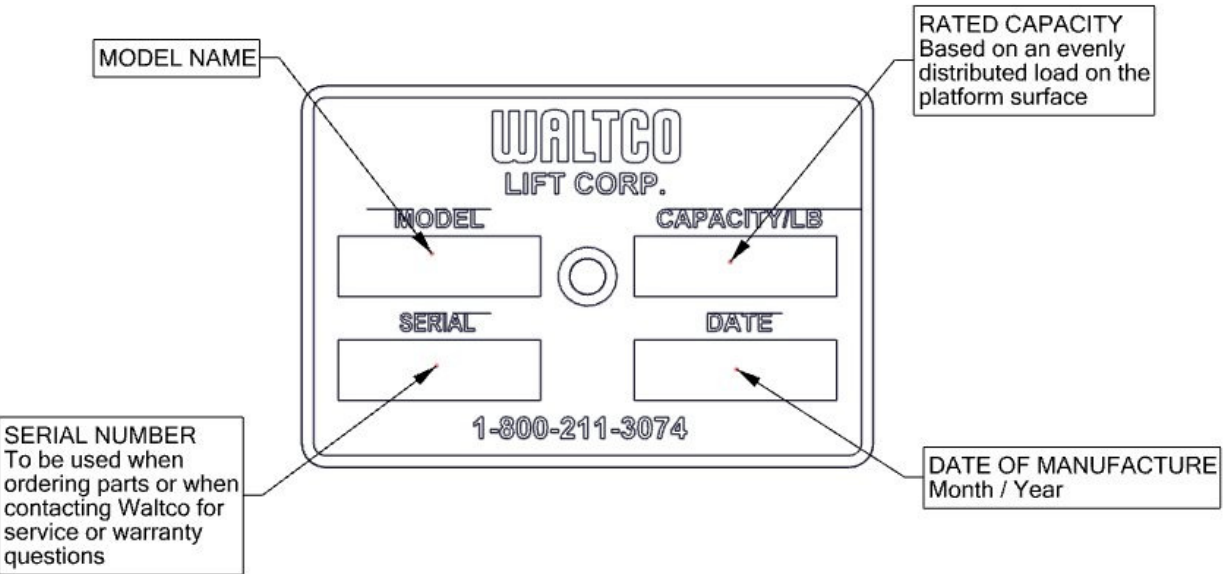
**To assure you of continuing and effective quality control, our warranty policy permits replacement of hydraulic cylinders, valves and motor pump units when their factory seals are intact. Parts under warranty will be exchanged promptly after careful inspection of the returned assemblies.**

---

# RGL & RBGL MODEL INFORMATION

## Explanation of Specification Tag

Model Name	Description	Capacity
RBGL30	Rail Lift, Bottle Gas	3000 lbs.
RBGL40	Rail Lift, Bottle Gas	4000 lbs.
RGL20	Rail Lift (96" WIDE)	2000 lbs.
RGL30	Rail Lift (96" WIDE)	3000 lbs.
RGL40	Rail Lift (96" WIDE)	4000 lbs.
RGL50	Rail Lift (96" WIDE)	5000 lbs.
RGL60	Rail Lift (96" WIDE)	6000 lbs.
RGL20	Rail Lift (102" WIDE)	2000 lbs.
RGL30	Rail Lift (102" WIDE)	3000 lbs.
RGL40	Rail Lift (102" WIDE)	4000 lbs.
RGL50	Rail Lift (102" WIDE)	5000 lbs.
RGL60	Rail Lift (102" WIDE)	6000 lbs.



**NOTE:** Tag located on Curb Side Rail above switches.

GR02279

ITEM	PART NUMBER	QTY	DESCRIPTION
1	37412002	1	Platform Assy (RGL-30, 40 96" Wide)
	38412002	1	Platform Assy (RGL-30, 40 102" Wide)
	37612002	1	Platform Assy (RGL-50, 60 96" Wide)
	38612002	1	Platform Assy (RGL-50, 60 102" Wide)
2	37418001	1	60x90 Butt End Deck Ext. (RGL-30, 40)
	37418003	1	60x90+12 CS Deck Ext. (RGL-30, 40)
	37418002	1	60x90+12 Deck Ext. (RGL-30, 40)
	37418004	1	72 x 90 Butt End Deck Ext. (RGL-30, 40)
	37418006	1	72x90+12 CS Deck Ext. (RGL-30, 40)
	37418005	1	72x90+12 Deck Ext. (RGL-30, 40)
	37418563	1	60x90+ Hinges for Alum Ramp Deck Ext. (RGL-30, 40)
	37418573	1	72x90+ Hinges for Alum Ramp Deck Ext. (RGL-30, 40)
	37618003	1	60x90+12 CS Deck Ext. (RGL-50, 60)
	37618002	1	60x90+12 Deck Ext. (RGL-50, 60)
	37618004	1	72x90 Butt End Deck Ext. (RGL-50, 60)
	37618005	1	72x90+12 CS Deck Ext. (RGL-50, 60)
	37618006	1	72x90+12 Deck Ext. (RGL-50, 60)
	37618573	1	72x90+ Hinges for Alum Ramp Deck Ext. (RGL-50, 60)
	37618583	1	84x90+ Hinges for Alum Ramp Deck Ext. (RGL-50, 60)
	38418001	1	60x96 Butt End Deck Ext. (RGL-30, 40)
	38418003	1	60x96+12 CS Deck Ext. (RGL-30, 40)
	38418002	1	60x96+12 Deck Ext. (RGL-30, 40)
	38418004	1	72x96 Butt End Deck Ext. (RGL-30, 40)
	38418006	1	72x96+12 CS Deck Ext. (RGL-30, 40)
	38418005	1	72x96+12 Deck Ext. (RGL-30, 40)
	38418563	1	60x96+ Hinges for Alum Ramp Deck Ext. (RGL-30, 40)
	38418573	1	72x96+ Hinges for Alum Ramp Deck Ext. (RGL30-40)
	38618003	1	60x96+12 CS Deck Ext. (RGL-50, 60)
	38618002	1	60x96+12 Deck Ext. (RGL-50, 60)

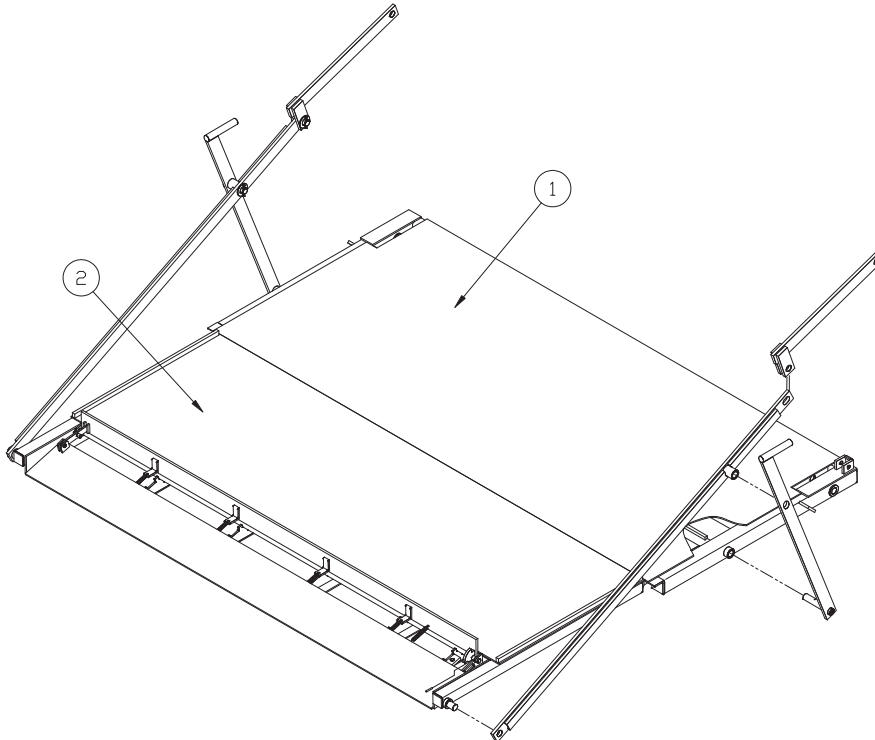
ITEM	PART NUMBER	QTY	DESCRIPTION
2	38618004	1	72x96 Butt End Deck Ext. (RGL-50, 60)
	38618005	1	72x96+12 CS Deck Ext. (RGL-50, 60)
	38618006	1	72x96+12 Deck Ext. (RGL-50, 60)
	37618007	1	84x90 Butt End Deck Ext. (RGL-50, 60)
	38618007	1	84x96 Butt End Deck Ext. (RGL-50, 60)
	38618573	1	72x96+ Hinges for Alum Ramp Deck Ext. (RGL-50, 60)
	38618583	1	84x96+ Hinges for Alum Ramp Deck Ext. (RGL-50, 60)

**WALTCO** LIFT CORP.  
RGL SERIES

REVISED: 4-2-12  
E.O. 6805  
REV. 01

**PM-841**

**PLATFORM ASSEMBLIES**



**WALTCO** LIFT CORP.  
RGL SERIES

REVISED: 4-2-12  
E.O. 6805  
REV. 01

**PM-841**

ITEM	PART NUMBER	QTY	DESCRIPTION
1	75089541*	8	1/4" x 1-7/8" Coiled Pin
2	35631601*	2	Chain Clip
3	Decks	1	See PM-841
4	Deck Extensions	1	See PM-841
5	35455002◆	2	Upper Link Assembly
	37455001●	2	Upper Link Assembly
	38455001■	2	Upper Link Assembly
6	37456701*	2	Pin
7	35470201*	2	Torsion Bar
8	75088061*	10	1" S.A.E. Washer
9	35457001◆	2	Lower Link Assembly
	37457001●	2	Lower Link Assembly
	38457001■	2	Lower Link Assembly
10	35456002 *◆	1	Connecting Bar Assembly (Curb Side)
	37456001 *●	1	Connecting Bar Assembly (Curb Side)
	38456001■	1	Connecting Bar Assembly (Curb Side)
11	35456052 *◆	1	Connecting Bar Assembly (Driver's Side)
	37456051 *●	1	Connecting Bar Assembly (Driver's Side)
	38456051■	1	Connecting Bar Assembly (Driver's Side)
12	75089548*	2	3/16" x 1-1/4" Coiled Pin
13	37417501*	2	Pin Assembly
14	35440002*	1	Cart Stop Ramp Assembly (96" Wide Platforms) (Items 15 thru 25)
	38440001*	1	Cart Stop Ramp Assembly (102" Wide Platforms) (Items 15 thru 25)
15	35442501*	1	Cart Stop Brace Assembly
16	35442002*	1	Lever Assembly
17	75088056*	1	1/2" S.A.E. Washer
18	75089752*	5	Extension Spring
19	75084052*	1	5/32" x 1" Cotter Pin
20	35440502*	1	Latch Pin Assembly
21	35441502*	1	Cart Stop Assy (96" Wide Platforms)
	38441501*	1	Cart Stop Assy (102" Wide Platforms)
22	75089547*	1	3/16" x 1" Coiled Pin

ITEM	PART NUMBER	QTY	DESCRIPTION
23	75088064*	1	5/8" S.A.E. Washer
24	37411102*	2	Pin
25	75089554*	6	3/8" x 1-3/4" Coiled Pin
26	85803391*	6	Fiber Bearing
27	35456101*	2	Torsion Bar Anchor
28	20211200*	2	Pin
29	75088081*	2	3/8" Lock Washer
30	75086055*	2	3/8"-16 x 3/4" Lg. Hex head Bolt (Grade 5)
31	75088053*	2	3/8" Flat Washer

\* All RGL-30, 40, 50, 60 Units  
◆ Used on 60 + 12 Deep platforms only

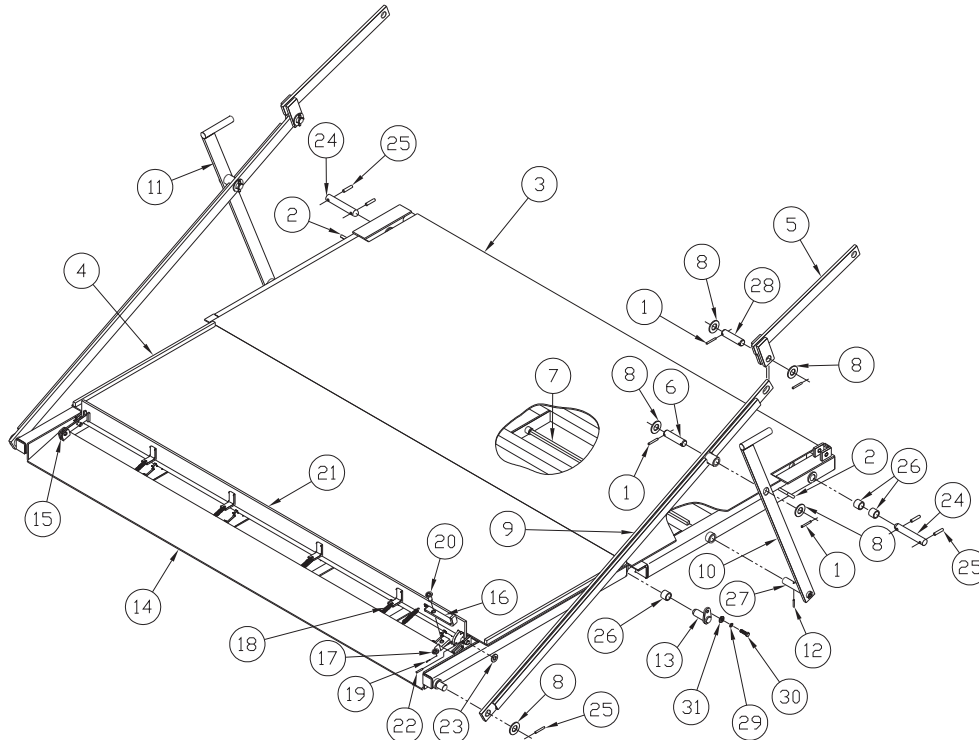
\* All RGL-30, 40, 50, 60 Units  
■ Used on 60" deep Butt End Platforms only.  
◆ Used on 60+12" and 72" deep Butt End Platforms only.  
● Used on 72+12" and 84" deep Butt End Platforms only.

**WALTCO** LIFT CORP.  
RGL SERIES

REVISED: 7-6-15  
E.O. 7140B  
REV. 02

**PM-439B**

## PLATFORM COMPONENTS



**WALTCO** LIFT CORP.  
RGL SERIES

REVISED: 7-6-15  
E.O. 7140B  
REV. 02

**PM-439B**

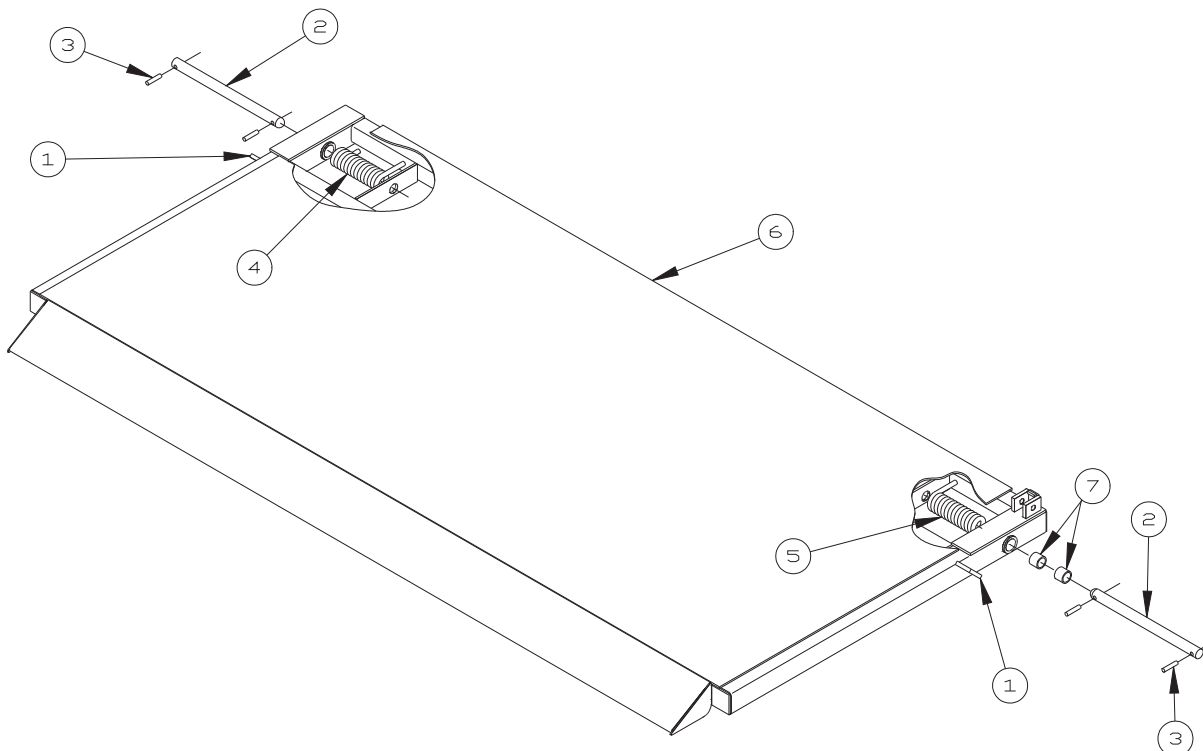
ITEM	PART NUMBER	QTY	DESCRIPTION
1	35631601	2	Chain Clip
2	37211102	2	Pin
3	75089554	4	3/8" x 1-3/4" Coiled Pin
4	37270251	1	Torsion Spring (Driver Side)
5	37270201	1	Torsion Spring (Curb Side)
6	37410030	1	36" x 90" Butt End Platform
	37410036	1	36" x 90" + 6" Platform
	37410031	1	36" x 90" + 12" CS Platform
	37410033	1	36" x 90" + 16" Alum Ramp Platform
	38410030	1	36" x 96" Butt End Platform
	38410036	1	36" x 96" + 6" Platform
	38410031	1	36" x 96" + 12" CS Platform
	38410033	1	36" x 96" + 16" Alum Ramp Platform
	37410040	1	42" x 90" Butt End Platform
	37410046	1	42" x 90" + 6" Platform
	37410041	1	42" x 90" + 12" CS Platform
	37410043	1	42" x 90" + 16" Alum Ramp Platform
	38410040	1	42" x 96" Butt End Platform
	38410046	1	42" x 96" + 6" Platform
	38410041	1	42" x 96" + 12" CS Platform
	38410043	1	42" x 96" + 16" Alum Ramp Platform
	37410050	1	48" x 90" Butt End Platform
	37410056	1	48" x 90" + 6" Platform
	37410051	1	48" x 90" + 12" CS Platform
	37410053	1	48" x 90" + 16" Alum Ramp Platform
	38410050	1	48" x 96" Butt End Platform
	38410056	1	48" x 96" + 6" Platform
	38410051	1	48" x 96" + 12" CS Platform
	38410053	1	48" x 96" + 16" Alum Ramp Platform
7	85803391	4	Fiber Bearing

**WALTCO** LIFT CORP.  
RGL SERIES

REVISED: 4-2-12  
E.O. 6805  
REV. 02

**PM-443A**

**PLATFORM ASSEMBLY (Units w/ 36", 42", 48" Deep Platforms)**



**WALTCO** LIFT CORP.  
RGL SERIES

REVISED: 4-2-12  
E.O. 6805  
REV. 02

**PM-443A**



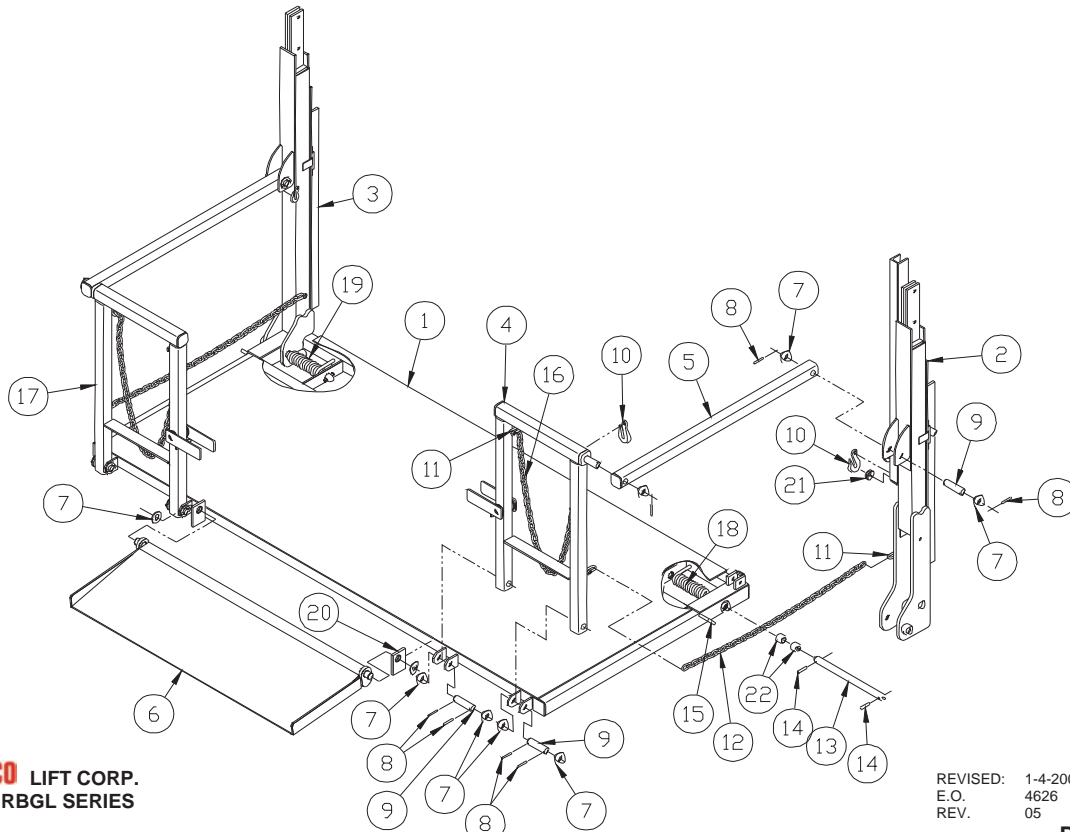
ITEM	PART NUMBER	QTY	DESCRIPTION
1	36412001	1	Platform Assembly (36" x 90")
	36412003	1	Platform Assembly (42" x 90")
2	36435004	1	Runner Assembly Complete (Curb Side)
3	36435054	1	Runner Assembly Complete (Street Side)
4	36455001	2	Guard Rail Sub-Assembly (Curb Side)
5	36457001	2	Side Rail Assembly (36" Platform)
	36457002	2	Side Rail Assembly (42" Platform)
6	31214001	1	Ramp Assembly
7	75088061	16	1" Washer
8	75089541	12	1/4" x 1-7/8" Coiled Pin
9	10370800	6	Pin
10	75089361	4	Chain Hook
11	75089349	6	5/16" Cold Shut
12	36458336	2	Plated Chain (36" Platform)
	36458342	2	Plated Chain (42" Platform)
13	37211102	2	Pin
14	75089554	4	3/8" x 1-3/4" Coiled Pin
15	35631601	2	Chain Clip
16	36458236	2	Plated Chain (36" Platform)
	36458242	2	Plated Chain (42" Platform)
17	36455051	1	Guard Rail Sub-Assembly (Street Side)
18	37270201	1	Torsion Spring (Curb Side)
19	37270251	1	Torsion Spring (Street Side)
20	31214701	2	Bar Ramp Pivot
21	75089324	2	Grommet
22	85803391	4	Fiber Bearing

**WALTCO** LIFT CORP.  
RBGL SERIES

REVISED: 1-4-2002  
E.O. 4626  
REV. 05

**PM-444**

**PLATFORM ASSEMBLY**



**WALTCO** LIFT CORP.  
RBGL SERIES

REVISED: 1-4-2002  
E.O. 4626  
REV. 05

**PM-444**

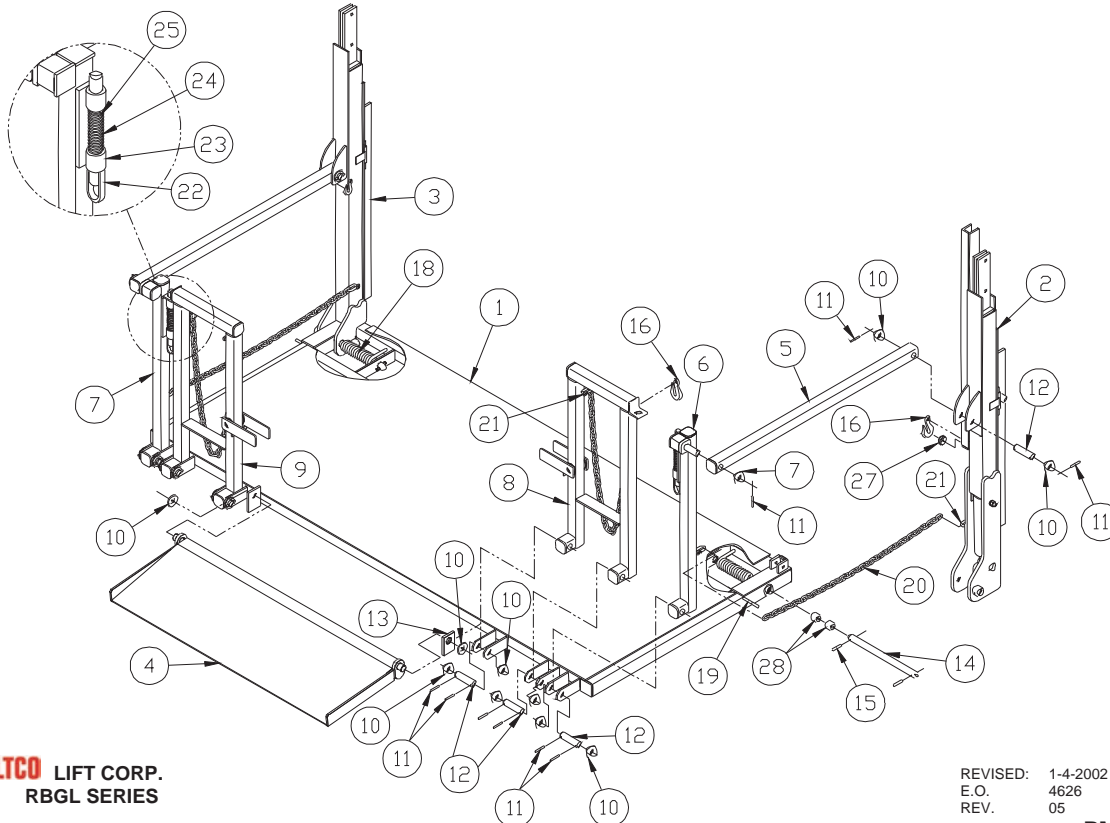
ITEM	PART NUMBER	QTY	DESCRIPTION
1	36412002	1	Platform Assembly (36" x 90")
	36412004	1	Platform Assembly (42" x 90")
2	36435004	1	Runner Assembly Complete (Curb Side)
3	36435054	1	Runner Assembly Complete (Street Side)
4	31214001	1	Ramp Assembly
5	36457501	2	Side Rail Assembly (36" Decks)
	36457502	2	Side Rail Assembly (42" Decks)
6	36459001	1	Fixed Guard Rail Assembly (Curb Side)
7	36459051	1	Fixed Guard Rail Assembly (Street Side)
8	36455002	1	Guard Rail Assembly (Curb Side)
9	36455052	1	Guard Rail Assembly (Street Side)
10	75088061	20	1" S.A.E. Washer
11	75089541	16	1/4" x 1-7/8" Coiled Pin
12	10370800	8	Pin
13	31214701	2	Bar Ramp Pivot
14	37211102	2	Pin
15	75089554	4	3/8" x 1-3/4" Coiled Pin
16	75089361	4	Chain Hook
17	37270201	1	Torsion Spring (Curb Side)
18	37270251	1	Torsion Spring (Street Side)
19	35631601	2	Chain Clip
20	36458236	2	Plated Chain (36" Decks)
	36458242	2	Plated Chain (42" Decks)
21	75089349	6	5/16" Cold Shut
22	36458501	2	Lock Pin Assembly
23	36459501	2	Lock Pin Sub Assembly
24	75089756	2	Spring
25	75089557	2	1/4" x 1-1/2" Coiled Pin
26	36458336	2	Plated Chain (36" Decks)
	36458342	2	Plated Chain (42" Decks)
27	75089335	2	Flexible Grommeting
28	85803391	4	Fiber Bearing

**WALTCO** LIFT CORP.  
RBGL SERIES

REVISED: 1-4-2002  
E.O. 4626  
REV. 05

**PM-445**

### FOLD DOWN RAIL PLATFORM ASSEMBLY



**WALTCO** LIFT CORP.  
RBGL SERIES

REVISED: 1-4-2002  
E.O. 4626  
REV. 05

**PM-445**

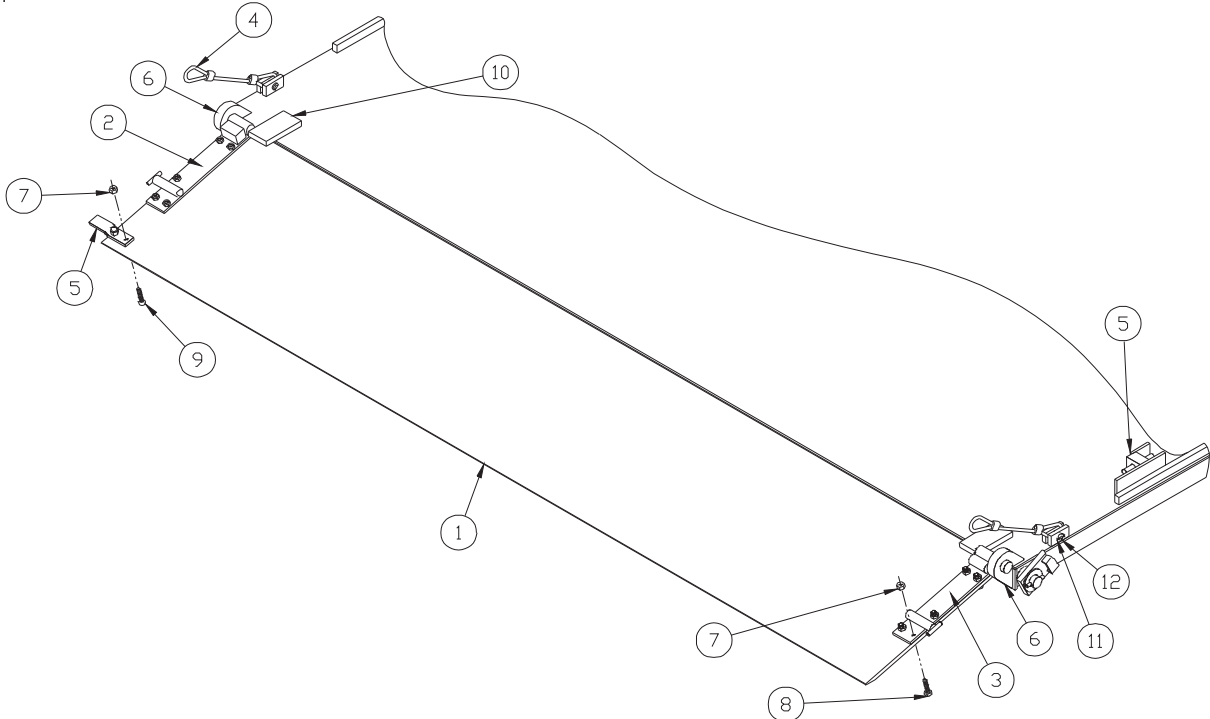
ITEM	PART NUMBER	QTY	DESCRIPTION
1	37214101	1	16" Aluminum Ramp (1 Piece 90" Wide Deck)
	37414101	1	16" Aluminum Ramp (2 Piece Folding 90" & 96" Wide Decks)
	38214101	1	16" Aluminum Ramp (1 Piece 96" Wide Deck)
	37216500	1	12" Steel Folding Ramp (1 Piece 90" Wide Deck)
	37416500	1	12" Steel Folding Ramp (2 Piece Folding 90" & 96" Wide Decks)
	38216500	1	12" Steel Folding Ramp (1 Piece 96" Wide Deck)
2	37415551	1	Hinge Plate Assembly (Driver Side) (Aluminum Ramp Only)
3	37415501	1	Hinge Plate Assembly (Curb Side) (Aluminum Ramp Only)
4	37419502	2	Retention Cable Assembly
5	37215202 *	1	Ramp Latch (1 Piece Deck Only)
	37414501	1	Ramp Latch Assembly (2 Piece Decks Only)
6	37414801	2	Ramp Hinge Clevis
7	75085193	12	3/8"-16 Locknut (Aluminum Ramp Only)
8	75086057	10	3/8"-16 x 1-1/4" Hex Head Bolt (Aluminum Ramp Only)
9	75086001 *	2	3/8"-16 x 1" Flat Head Screw (Aluminum Ramp Only)
10	37415401	2	Ramp Brace
11	75084053	2	3/32" x 1" lg. Cotter Pin
12	27310303	2	1/2" Dia. Clevis Pin

**WALTCO** LIFT CORP.  
RGL SERIES

REVISED: 11-2-2001  
E.O. 4088  
REV. 01

**PM-243B**

### 16" ALUMINUM & 12" STEEL FOLDING RAMPS



**WALTCO** LIFT CORP.  
RGL SERIES

REVISED: 11-2-2001  
E.O. 4088  
REV. 01

**PM-243B**

ITEM	PART NUMBER	QTY	DESCRIPTION
1	35693002	2	Safety Chain Assembly
2	75089451	1	Waltco Nameplate
3	35470601 * <sup>F</sup>	2	Short Pulley Bolt (Grade 8)
4	75086220 * <sup>F</sup>	2	1/2"-20 x 3" Bolt (Grade 8)
5	75088083 <sup>F</sup>	6	1/2" Lock Washer
6	75085110 *	3	1/2"-20 Hex Nut (Grade 8)
7	75089541	4	1/4" x 1-7/8" Coiled Pin
8	37427302	2	Up Stop Pin
9	35428001	7	Pulley Assy Complete (RGL-20, 30, 40)
	35628001	7	Pulley Assy Complete (RGL-50, 60)
10	75088085	3	5/8" Lock Washer (RGL-20, 30, 40)
	75088087	3	3/4" Lock Washer (RGL-50, 60)
11	37472502 <sup>AB</sup>	1	Adjustable Cable Assy (96" Wide) (RGL-20, 30, 40)
	38472502 <sup>AC</sup>	1	Adjustable Cable Assy (102" Wide) (RGL-20, 30, 40)
	37672502 <sup>AD</sup>	1	Adjustable Cable Assy (96" Wide) (RGL-50, 60)
	38672502 <sup>AE</sup>	1	Adjustable Cable Assy (102" Wide) (RGL-50, 60)
12	37420004	1	Main Frame Assembly (96" Wide) (RGL-20, 30, 40)
	38420004	1	Main Frame Assembly (102" Wide) (RGL-20, 30, 40)
	37620004	1	Main Frame Assembly (96" Wide) (RGL-50, 60)
	38620004	1	Main Frame Assembly (102" Wide) (RGL-50, 60)
13	37472002 <sup>AB</sup>	1	Fixed Cable Assembly (96" Wide) (RGL-20, 30, 40)
	38472002 <sup>AC</sup>	1	Fixed Cable Assembly (102" Wide) (RGL-20, 30, 40)
	37672002 <sup>AD</sup>	1	Fixed Cable Assembly (96" Wide) (RGL-50, 60)
	38672002 <sup>AE</sup>	1	Fixed Cable Assembly (102" Wide) (RGL-50, 60)
14	35427601 * <sup>F</sup>	2	Long Pulley Bolt (Grade 8)

ITEM	PART NUMBER	QTY	DESCRIPTION
15	35426502	1	Shoe Sub-Assembly(with Items 19 & 30) (RGL-20, 30, 40)
	35626502	1	Shoe Sub-Assembly(with Items 19 & 30) (RGL-50, 60)
16	35427002	1	Shoe Sub-Assembly(with Items 19 & 30) (RGL-20, 30, 40)
	35627002	1	Shoe Sub-Assembly(with Items 19 & 30) (RGL-50, 60)
17	35470501 *	1	Long Cylinder Bolt (Grade 8)(RGL-20, 30, 40)
	35670501 *	1	Long Cylinder Bolt (Grade 8)(RGL-50, 60)
18	37471602	2	Pulley Cover Guard (RGL-20,30,40)
	37671602	2	Pulley Cover Guard (RGL-50,60)
19	75089406	8	1/4" Dia. x 5/16" Drive Rivet
20	35427501	1	Block Assembly (RGL-20, 30, 40)
	35627501	1	Block Assembly (RGL-50, 60)
21	75085184 <sup>BCDE</sup>	1	Special Lock Nut (AN365-1018A)
22	75087585 <sup>GH</sup>	6	3/8"-16 x 1" Truss Head Screw
23	75085165 <sup>GH</sup>	6	"J" Type Nut Retainer
24	75087588	2	3/8"-16 x 2-1/2" Nylon Hex Bolt
25	35470901 *	1	Short Cyl. Bolt (Grade 8) (RGL-20,30,40)
	35670901 *	1	Short Cyl. Bolt (Grade 8) (RGL-50,60)
26	37420101 <sup>G</sup>	1	Access Door (96" Wide)
	38420101 <sup>H</sup>	1	Access Door (102" Wide)
27	75085183 *	1	Self Locking Nut (RGL-20, 30, 40)
	75085192 *	1	Self Locking Nut (RGL-50, 60)
28	75089569 <sup>BCDE</sup>	1	Plastic Plug
29	35426602	2	Phenolic Bearing
30	75085005	2	3/8"-16 Serrated Hex Nut
31	75088085 <sup>BCDE</sup>	1	5/8" Lock Washer
32	75085111 <sup>BCDE</sup>	1	5/8"-18 Hex Nut (Grade 8)
33	75088056	2	1/2" Flat Washer
34	37471502	2	Pulley Cover Guard Assembly(Includes Items 18, 19, 24, 31, 36)(RGL-20,30,40)
	37671502	2	Pulley Cover Guard Assembly(Includes Items 18, 19, 24, 31, 36)(RGL-50,60)
35	37471702	2	Pulley Cover Shield

<sup>A</sup> NOTE:  
Both Cables should be replaced at the same time, when ordering replacement cables.

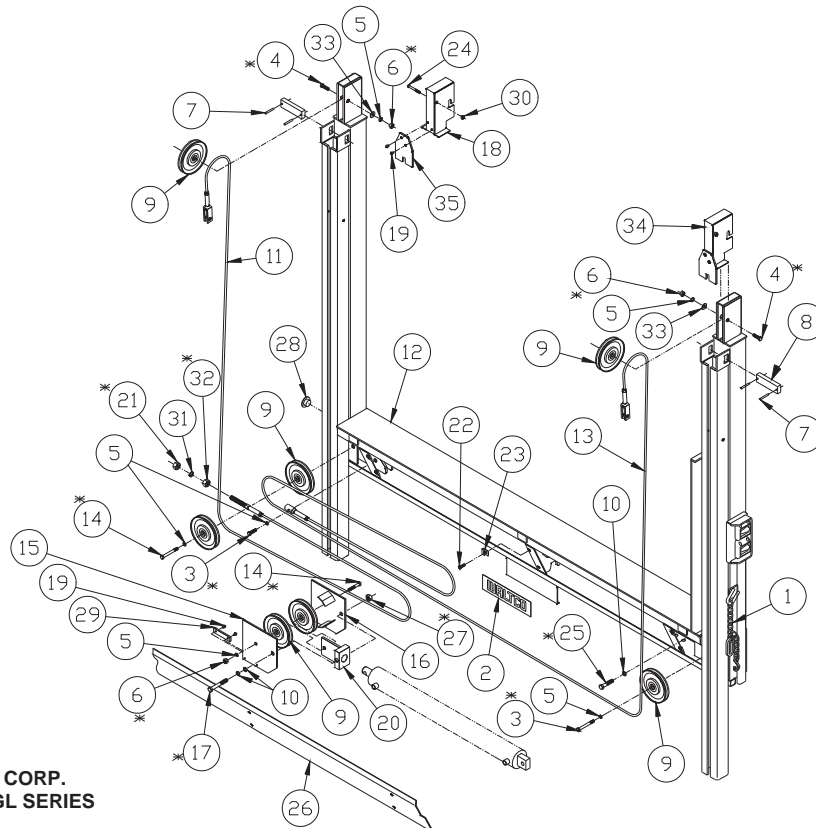
**WALTCO LIFT CORP.**  
RGL & RBGL SERIES

<sup>B</sup> Included in Cable Replacement Kit 80000919.  
<sup>C</sup> Included in Cable Replacement Kit 80000922.  
<sup>D</sup> Included in Cable Replacement Kit 80000925.  
<sup>E</sup> Included in Cable Replacement Kit 80000928.  
<sup>F</sup> Included in Pulley Bolt Replacement Kit 80000499.  
<sup>G</sup> Included in Access Door Replacement Kit 80000932.  
<sup>H</sup> Included in Access Door Replacement Kit 80000933.

REVISED: 4-1-05  
E.O. 5221G  
REV. 02

**PM-225E**

### RGL & RBGL SERIES MAIN FRAME ASSEMBLY



**WALTCO LIFT CORP.**  
RGL & RBGL SERIES

REVISED: 4-1-05  
E.O. 5221G  
REV. 02

**PM-225E**

ITEM	PART NUMBER	QTY	DESCRIPTION
1	37235004	1	Runner Assembly (Curb Side) (RGL-20,30,40 with One Piece Platforms)
	37435003	1	Runner Assembly (Curb Side) (RGL-30, 40 with Two Piece Platforms)
	37535003	1	Runner Assembly (Curb Side) (RGL-50, 60 with Two Piece Platforms)
2	37235054	1	Runner Assembly (Driver's Side) (RGL-20,30,40 with One Piece Platforms)
	37435053	1	Runner Assembly (Driver's Side) (RGL-30, 40 with Two Piece Platforms)
	37535053	1	Runner Assembly (Driver's Side) (RGL-50, 60 with Two Piece Platforms)
3	35635101 *	2	1/2"-20 x 1-3/4" Bolt (Grade 8)
4	75088083	2	1/2" Lock Washer
5	75085110 *	2	1/2"-20 Hex Nut (Grade 8)
6	75089541	2	1/4" x 1-7/8" Coiled Pin (Used only for Two Piece Platforms)
7	20211200	1	Pin (Used only for Two Piece Platforms)
8	37432702	2	Retainer Clip
9	37435502	2	Outside Slide Bearing
10	75088061	2	1" S.A.E. Washer (Used only for Two Piece Platforms)
11	75089335	1	Flexible Grommeting

**\* NOTE:**

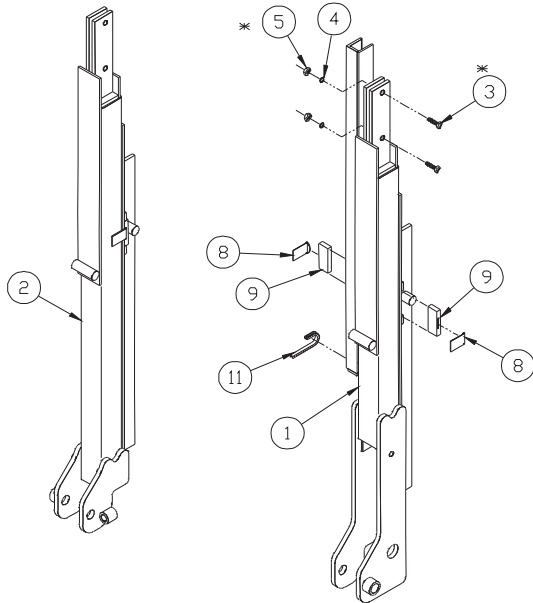
**These are special high grade  
nuts and bolts and must be  
purchased from Waltco.**

**WALTCO** LIFT CORP.  
RGL SERIES

REVISED: 7-6-2001  
E.O. 4268  
REV. 01

**PM-446A**

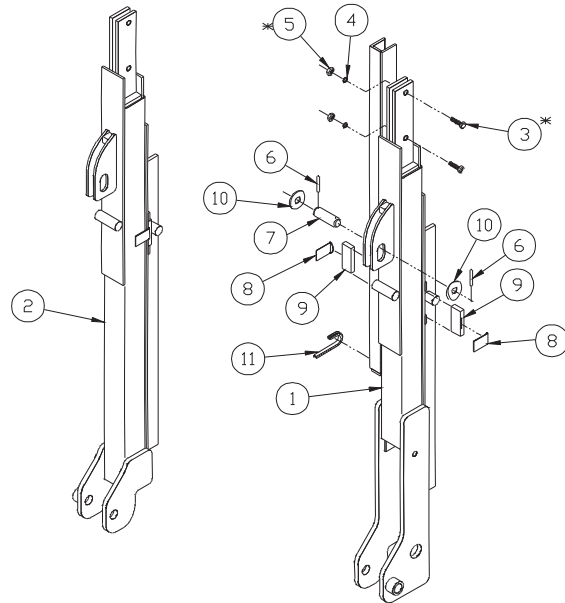
**RUNNER ASSEMBLIES**



**RUNNERS FOR SINGLE  
PIECE PLATFORMS**

**\* NOTE:**

**These are special high grade  
nuts and bolts and must be  
purchased from Waltco.**



**RUNNERS FOR TWO  
PIECE PLATFORMS**

**WALTCO** LIFT CORP.  
RGL SERIES

REVISED: 7-6-2001  
E.O. 4268  
REV. 01

**PM-446A**

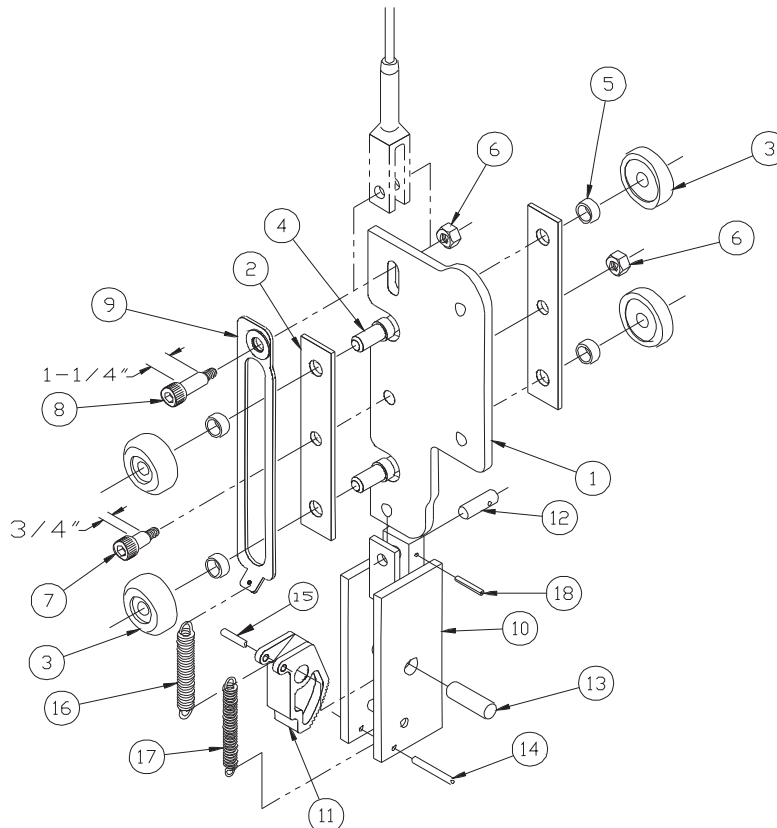
ITEM	PART NUMBER	QTY	DESCRIPTION
1	37437303	1	Upper Bearing Mount Plate (w/Brake)
2	35436401	2	Upper Bearing Pivot
3	37436502	4	Roller Assembly
4	35436801	2	Roller Pin (Upper)
5	37436902	4	Bearing Spacer
6	75085193	2	3/8"-16 Locknut
7	75087575	1	1/2" x 3/4" Socket Hd Shoulder Bolt
8	75087576	1	1/2" x 1-1/4" Socket Hd Shoulder Bolt
9	37439502	1	Connector Plate
10	37438502	1	Housing Assembly
11	37438802	1	Toothed Cam
12	37437702	1	Pin
13	37437402	1	Pin
14	37437202	1	Pin
15	37437602	1	Pin
16	37438902	1	Spring
17	75089753	1	Spring
18	75089548	1	3/16" Dia. x 1-1/4" Coiled Pin
19	37437003	1	Upper Bearing/Brake Assembly Complete (Includes Items 1 thru 18)

**WALTCO** LIFT CORP.  
RGL SERIES

REVISED: 12-18-98  
E.O. 3760  
REV. 04

**PM-448**

### UPPER ROLLER ASSEMBLY



**WALTCO** LIFT CORP.  
RGL SERIES

REVISED: 12-18-98  
E.O. 3760  
REV. 04

**PM-448**

ITEM	PART NUMBER	QTY	DESCRIPTION
1	35480050	1	Hydraulic Cylinder Assembly (RGL-20, 30, 40)
	35680050	1	Hydraulic Cylinder Assembly (RGL-50, 60)
2	75083036	1	3/8" x 90° Elbow
3	70110020	1	Flow Control Valve (RGL-20, 30, 40)
	70110030	1	Flow Control Valve (RGL-50, 60)
4	75082863	1	3/8"-18 NPT Male x 3/4"-16 37° Flare Male Adapter
5	75083108	1	3/4" 16 37° Flare Male x 9/16"-18 37° Flare Male x 3/8" I.D. x 24-1/2" Lg. Hose Assembly
6	75089317	1	Cylinder Breather Cap
7	75082867	2	9/16"-18 37° Flare Male Bulkhead 45° Elbow
8	75083101	1	9/16"-18 37° Flare Female x 9/16"-18 37° Flare Female x 3/8" I.D. x 65" Lg. Hose Assembly (Truck Kit Only)
	75083102	1	9/16"-18 37° Flare Female x 9/16"-18 37° Flare Female x 3/8" I.D. x 372" Lg. Hose Assembly (Trailer Kit only)
9	37480051	1	Closer Cylinder Includes fitting 75082882
10	75086223	1	1/2"-20 x 5" Hex Head Bolt (Grade 8)
11	37470301	1	1/2"-20 x 2-1/4" Hex Head Bolt (Grade 8)
12	75088083	1	1/2" Lock Washer
13	75085110	1	1/2"-20 Hex Nut
14	75085181	1	Lock Nut (AN 364-820A)
15	75086845	2	1/4"-20 x 1-1/4" Self Tapping Screw
16	75083109	1	9/16"-18 37° Flare Female x 9/16"-18 37° Flare Female x 1/4" I.D. x 66" Lg. Hose Assembly
17	37474102	1	Control Wire Tube
18	75083103	1	9/16"-18 37° Flare Female x 9/16"-18 37° Flare Female x 1/4" I.D. x 76" Lg. Hose Assembly (Truck Kit Only)

ITEM	PART NUMBER	QTY	DESCRIPTION
	75083104	1	9/16"-18 37° Flare Female x 9/16"-18 37° Flare Female x 1/4" I.D. x 372" Lg. Hose Assembly (Trailer Kit Only)
19	75086058	2	3/8"-16 x 1-1/2" Hex Head Bolt
20	37690108 <sup>B</sup>	2	Outside Control Switch
21	43090103 <sup>C</sup>	1	Inside Raise/Lower Switch
22	75082033	9	16 Ga. Butt Connector
23	37475506	1	Control Wiring Harness
24	37423102	1	Outside Control Switch Guard
25	37474404	2	Inside Control Switch Guard
26	37481751	1	5/8" OD x 1/2" ID x 1" Lg. Bearing
27	75088081	2	3/8" Lock Washer

<sup>A</sup> These parts included in Closer Cylinder Replacement Kit 80000893.

<sup>B</sup> To replace old style pushbutton switches, use kit 80001419.

<sup>C</sup> To replace old style pushbutton switch, use kit 80001418.

**NOTE**

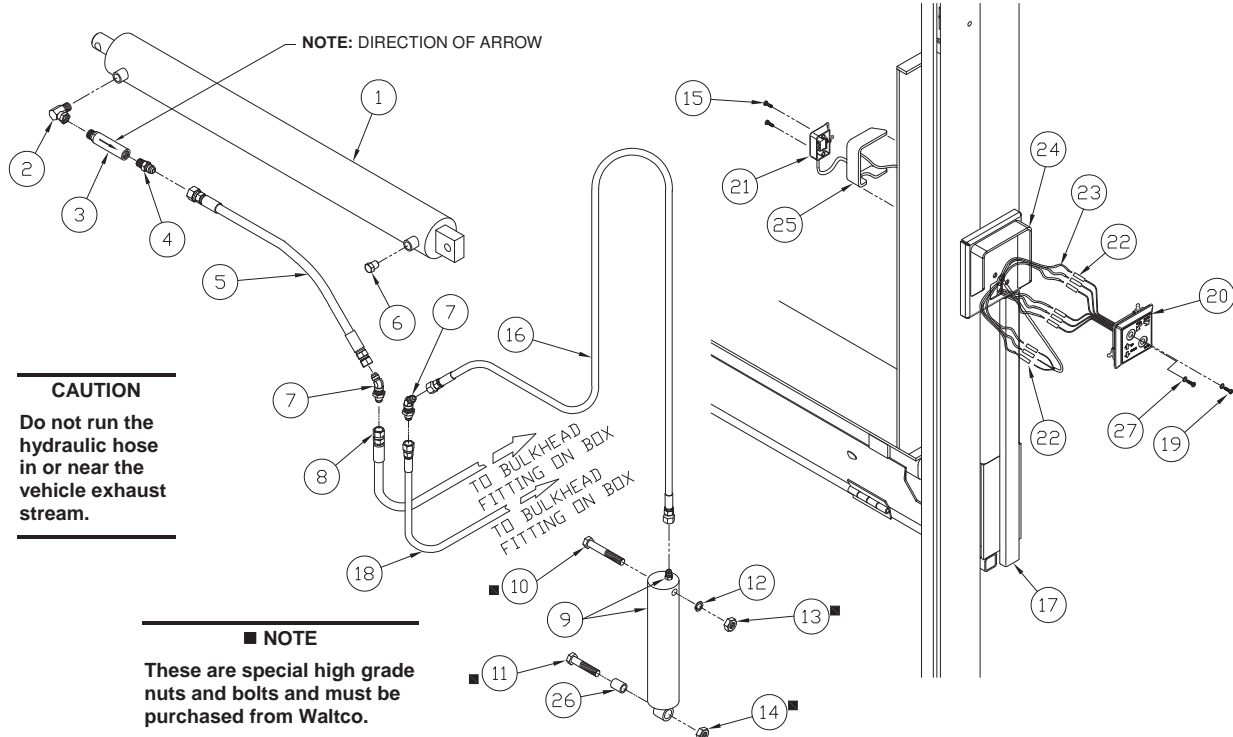
These are special high grade nuts and bolts and must be purchased from Walco.

**WALCO LIFT CORP.**  
RGL & RBGL SERIES

REVISED: 7-6-2015  
E.O. 7140B  
REV. 03

**PM-533B**

**LIFTGATE HYDRAULIC AND ELECTRICAL LAYOUT**



**WALCO LIFT CORP.**  
RGL & RBGL SERIES

REVISED: 7-6-2015  
E.O. 7140B  
REV. 03

**PM-533B**

ITEM	PART NUMBER	QTY	DESCRIPTION
1	31590102	1	Hydraulic Enclosure Base
2	75082867	2	45° Bulkhead Elbow, 9/16"-18 37° Flare Male
3	75085093	1	Hex jam nut, 5/16"-24
4	31491803	1	Motor Wiring Harness
5	75089309	1	Grommet, Wiring Harness
6	75089312	1	Grommet, Battery Cable
7	75089578	2	Plug, Plastic, 3/8" Dia. Hole
8	75089569	2	Plug, Plastic, 7/8" Dia. Hole
9	10195518	1	Ground Cable, 2 Ga. X 18" Lg.
10	80000557	1	25 ft. Battery Cable Kit
	80000555		30 ft. Battery Cable Kit
	80000549		38 ft. Battery Cable Kit
11	70401651	1	Hand Pump Handle (Included with Hand Pump Kit)
12	75088081	4	Lock Washer, 3/8"
13	70401650	1	Hand Pump Kit (Optional)
14	31590902	1	Hydraulic Enclosure Cover
15	75089854	1	Fuse, 15 Amp
16	75083094	2	Hose Assy, 3/8" ID x 18-1/2" x 9/16"-18 37° Flare Fem.
17	75086055	4	Hex Bolt, 3/8"-16 x 3/4", Grade 5
18	75089572	1	Plug, Plastic, 1-3/8" dia. Hole
19	37475506	1	Liftgate Wiring Harness
	31494601		Long Trailer Extension Harness
	31494602		Short Trailer Extension Harness
20	75088056	2	Washer, 1/2" I.D. X 1-3/8" O.D.
21	10099500	1	Terminal Strip
22	75085003	3	Hex Nut, 5/16"-18, Serrated
23	75086007	2	Hex Bolt, 5/16"-18 x 1-1/4" lg.
24	85803921	1	Relay
25	70402075	1	Hydraulic Pump Unit – Single Pump (RGL-20 & 30 Only)
	70402050		Hydraulic Pump Unit – Single Pump (RGL-40, 50, 60 Only)

ITEM	PART NUMBER	QTY	DESCRIPTION
26	70092501	1	Valve Assembly, 3-Way, 2-Pos w/ Coil
27	31491301	1	Wire, Control
28	70092503	2	Valve Assembly, 2-Way, 2-Pos w/ Coil
29	7043002-1 <sup>A</sup>	1	Motor
30	75089833 <sup>A</sup>	1	Starter Solenoid
31	75089834 <sup>A</sup>	1	Bus Bar
32	75085000	3	Hex Nut, #10-32, Serrated
33	70401501	1	Reservoir
34	75086707	3	Screw, #10-32 x 5/8" lg.
35	85803482	2	Holder, Spring Clip (Hand Pump Only)
36	70402303	3	Coil, 10V, 25A

PUMP AND ENCLOSURE ASSEMBLIES COMPLETE	
PART No.	DESCRIPTION
38296504	Direct Power & 21" Enclosure (RGL-20,30)
38496504	Direct Power & 21" Enclosure (RGL-40,50,60)

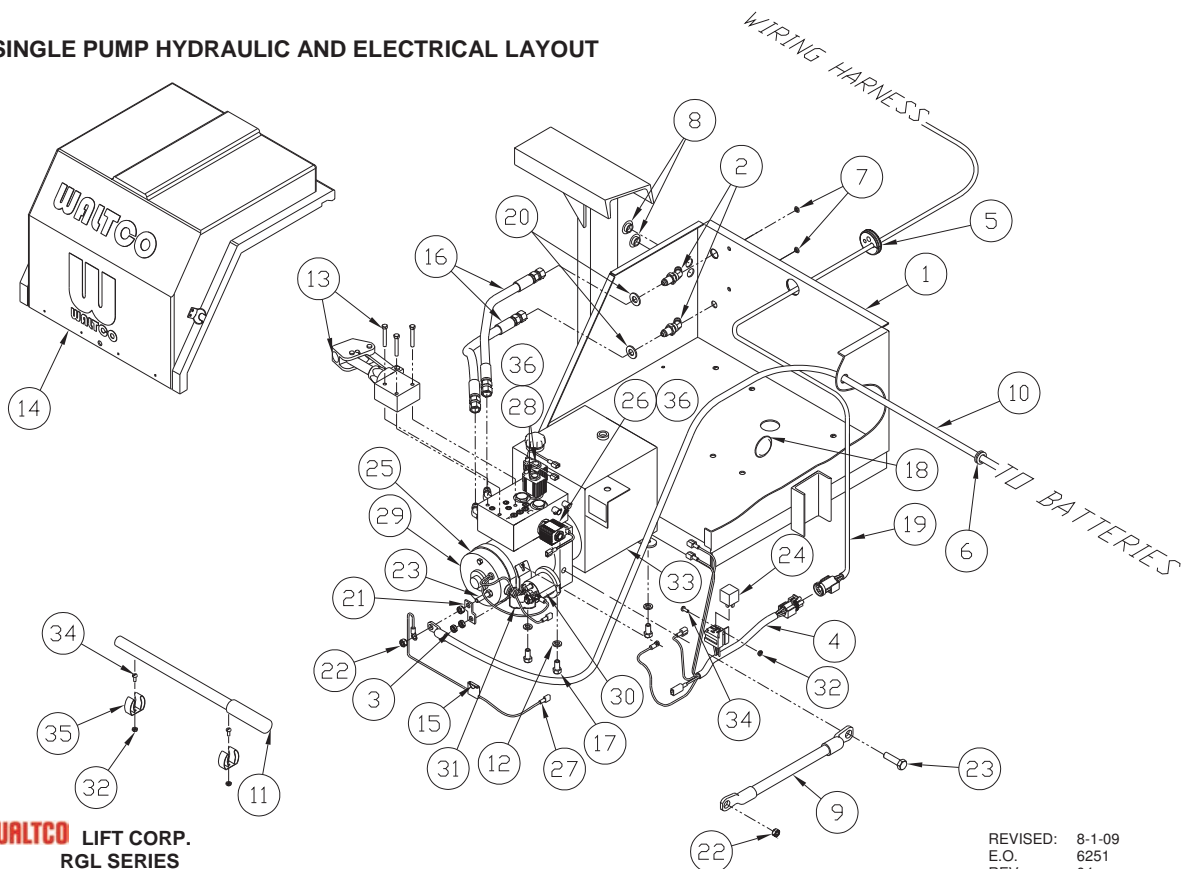
<sup>A</sup> Included in Motor/Solenoid Assembly 70400858

**WALTCO** LIFT CORP.  
RGL SERIES

REVISED: 8-1-09  
E.O. 6251  
REV. 04

**PM-536C**

### SINGLE PUMP HYDRAULIC AND ELECTRICAL LAYOUT



**WALTCO** LIFT CORP.  
RGL SERIES

REVISED: 8-1-09  
E.O. 6251  
REV. 04

**PM-536C**



ITEM	PART NUMBER	QTY	DESCRIPTION
1	31590102	1	Hydraulic Enclosure Base
2	75088056	2	Washer, 1/2" I.D. X 1-3/8" O.D.
3	80000557	1	25 ft. Battery Cable Kit
	80000555		30 ft. Battery Cable Kit
	80000549		38 ft. Battery Cable Kit
4	70400858	2	Motor/Solenoid Assy
5	75089009	1	Grommet, Wiring Harness
6	75082867	2	45° Bulkhead Elbow, 9/16"-18 37° Flare Male
7	70402250	1	Hydraulic Pump Unit – Dual Pump (RGL-20 & 30)
	70402225		Hydraulic Pump Unit – Dual Pump (RGL-40, 50, 60)
7A	7043002-1 <sup>A</sup>	1	Motor
7B	75089833 <sup>A</sup>	1	Starter Solenoid
7C	75089834 <sup>A</sup>	1	Bus Bar
7D	70092501	2	Valve Assembly, 3-Way, 2-Pos w/ Coil
7E	70401501	1	Reservoir
7F	70092503	4	Valve Assembly, 2-Way, 2-Pos w/ Coil
7G	70402303	6	Coil, 10V, 25A
8	37475506	1	Liftgate Wiring Harness
	31494601		Long Trailer Extension Harness
	31494602		Short Trailer Extension Harness
9	75085000	1	Hex Nut, #10-32, Serrated
10	75086707	1	Screw, #10-32 x 5/8" Lg.
11	31491601	1	Motor Wiring Harness
12	75089832	1	Toggle Switch
13	75089569	2	Plug, Plastic, 7/8" dia. Hole
14	75083094	2	Hose Assy, 3/8" ID x 18-1/2" x 9/16"-18 37° Flare Fem.
15	31590902	1	Hydraulic Enclosure Cover
16	10195524	1	Battery Cable Assy, 24"
17	75080062	1	Wire Clip
18	85803921	2	Relay
19	75086055	4	Hex Bolt, 3/8"-16 x 3/4", Grade 5

ITEM	PART NUMBER	QTY	DESCRIPTION
20	75089578	2	Plug, Plastic, 3/8" Hole
21	10195518	1	Ground Cable, 2 Ga. X 18" Lg.
22	75086007	2	Hex Bolt, 5/16"-18 x 1-1/4" Lg.
23	75089854	2	Fuse, 15 Amp
24	75085003	3	Hex Nut, 5/16"-18, Serrated
25	10099500	1	Terminal Strip
26	31491501	2	Wire, Key Switch Control
27	75088081	4	Lock Washer, 3/8"
28	75089572	1	Plug, Plastic, 1-3/8" dia. Hole
29	31499001	1	Auxiliary Push Button Control
30	75089312	1	Grommet, Battery Cable
31	75085093	1	Hex jam nut, 5/16"-24

PUMP AND ENCLOSURE ASSEMBLIES COMPLETE	
PART NUMBER	DESCRIPTION
38298504	Dual Pump and 21" Enclosure Complete (RGL-20,30)
38498504	Dual Pump and 21" Enclosure Complete (RGL-40,50,60)

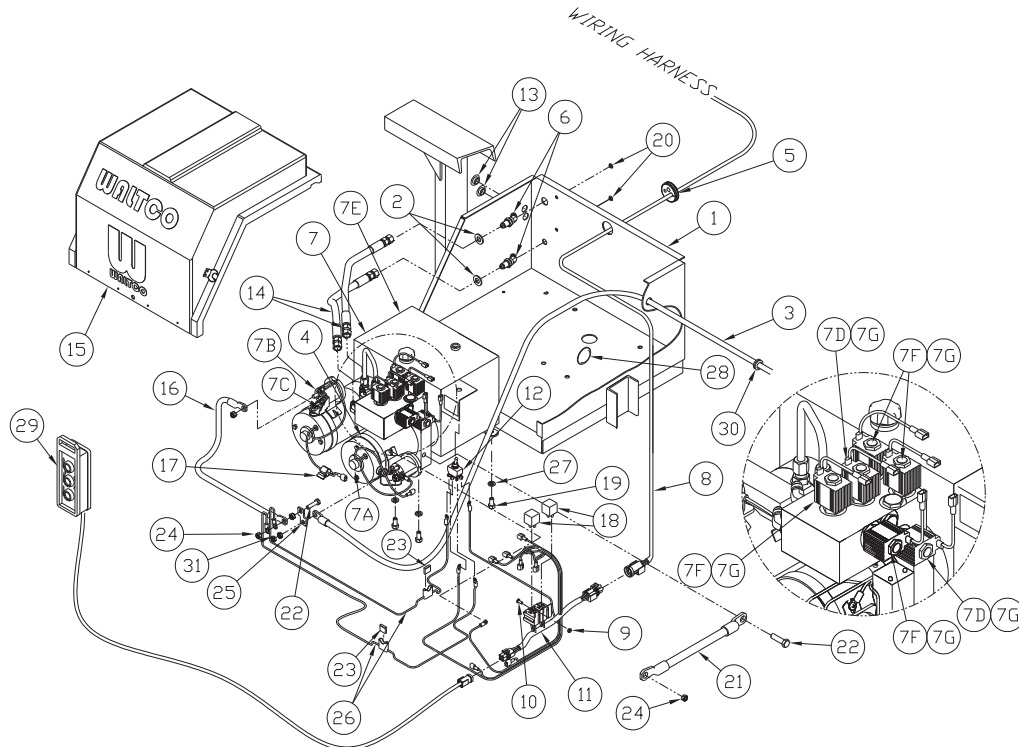
<sup>A</sup> Included in Motor/Solenoid Assembly 70400858

**WALTCO** LIFT CORP.  
RGL SERIES

REVISED: 8-1-09  
E.O. 6251  
REV. 05

**PM-537B**

### DUAL PUMP HYDRAULIC AND ELECTRICAL LAYOUT



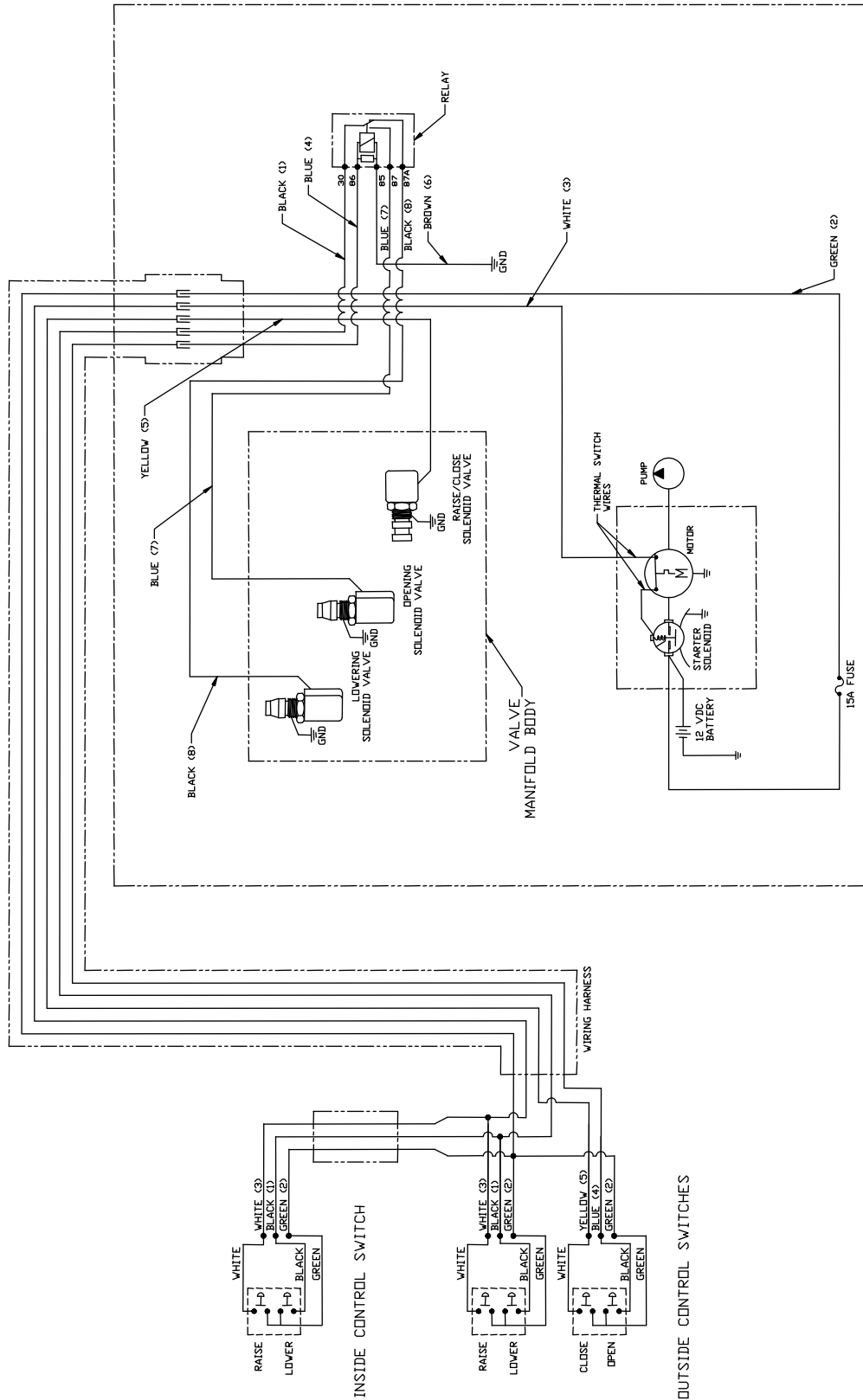
**WALTCO** LIFT CORP.  
RGL SERIES

REVISED: 8-1-09  
E.O. 6251  
REV. 05

**PM-537B**

# SCHEMATICS

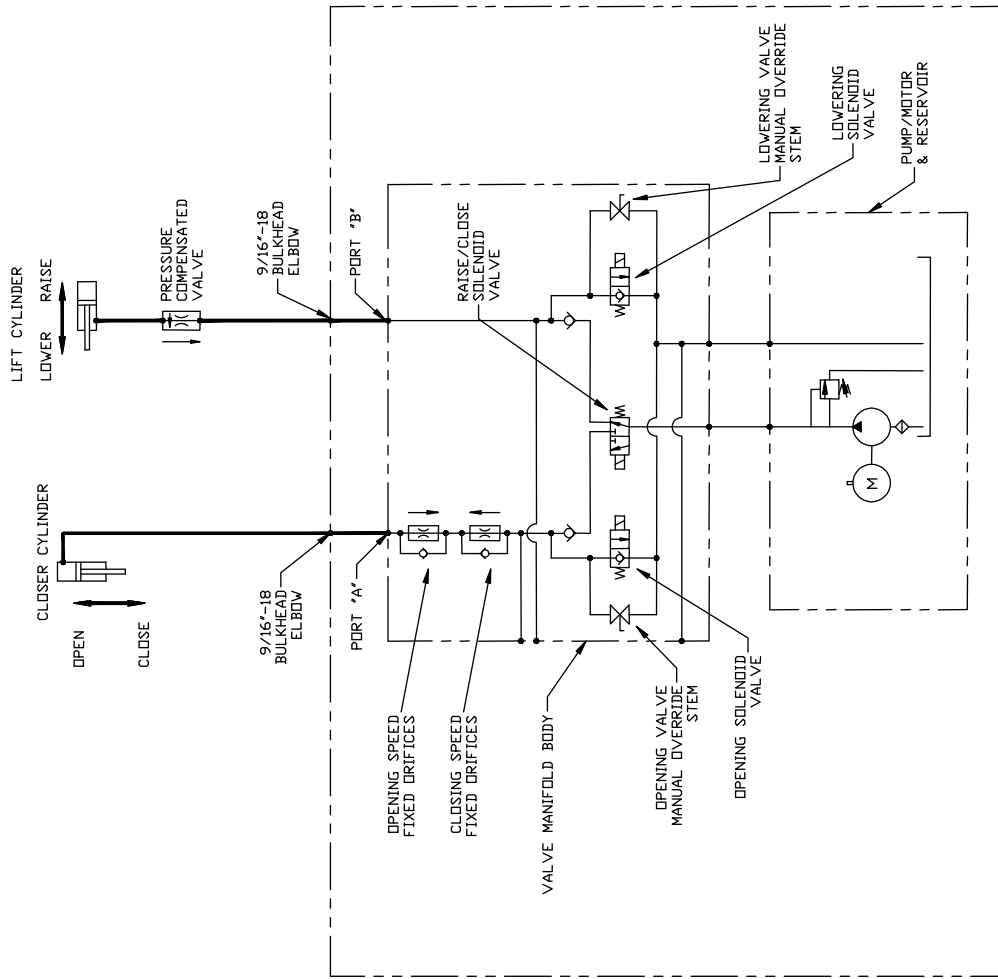
## SINGLE PUMP ELECTRICAL SCHEMATIC



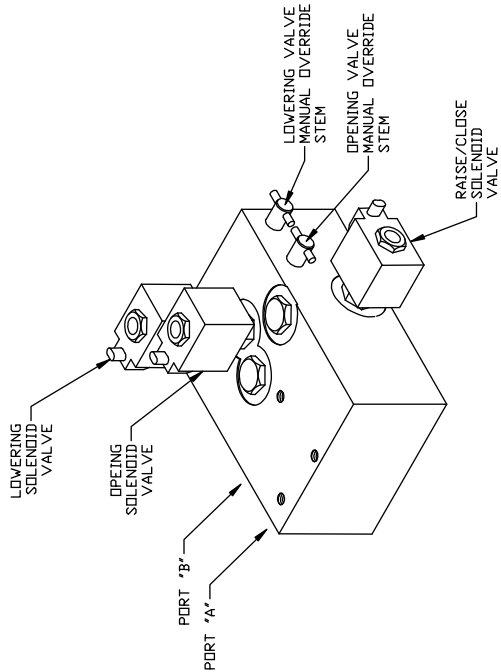
GR02304

# SCHEMATICS

## SINGLE PUMP HYDRAULIC SCHEMATIC



HYDRAULIC ENCLOSURE

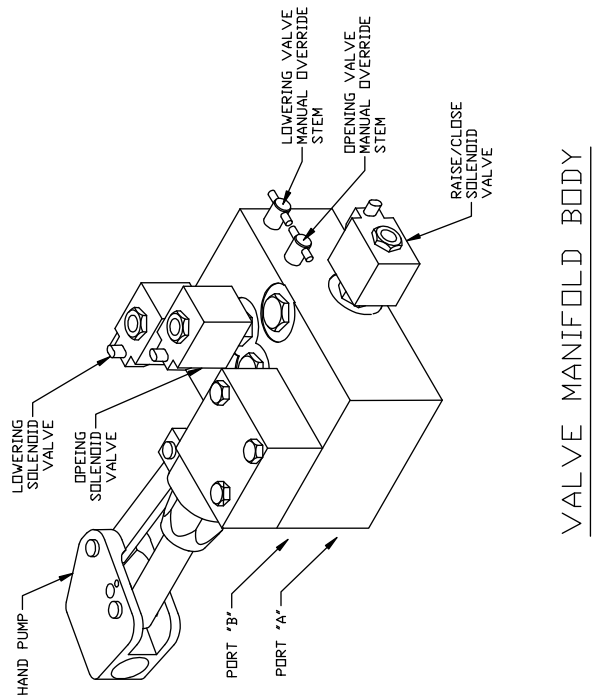
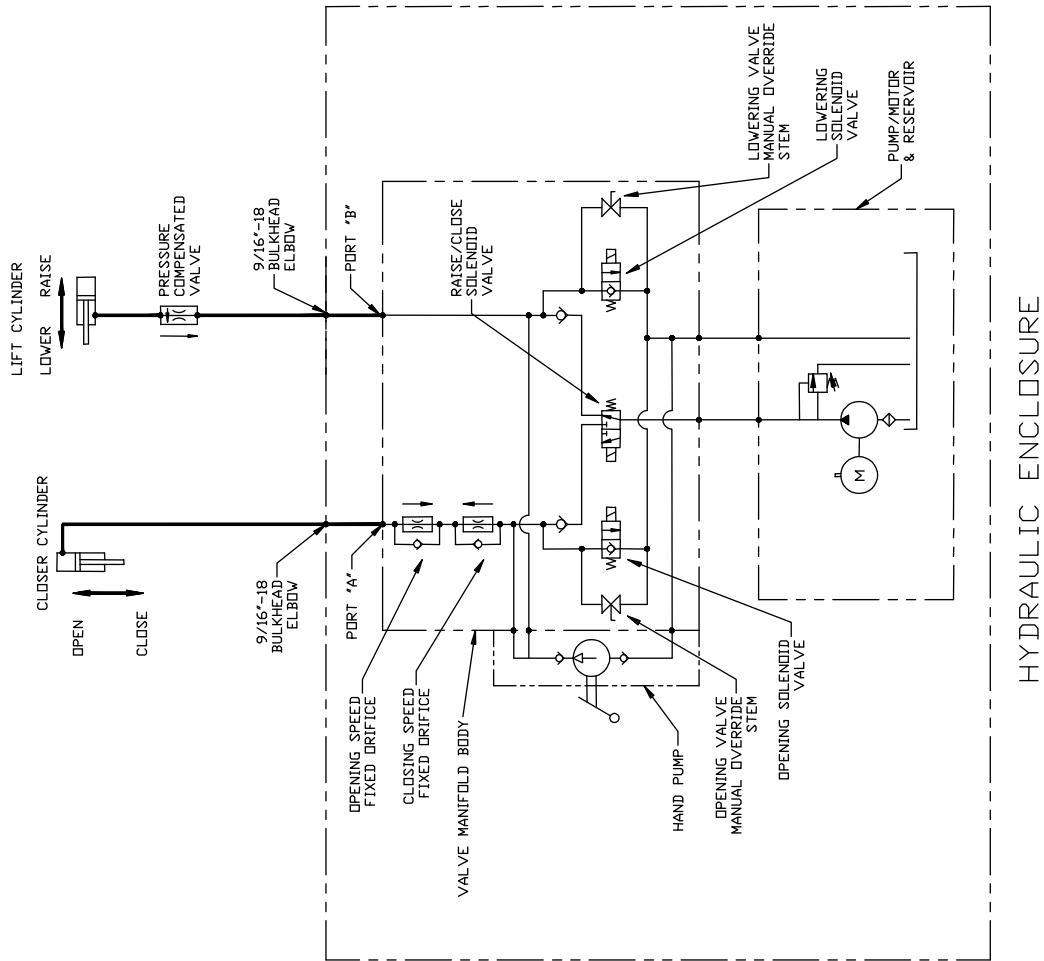


VALVE MANIFOLD BODY

GR02305

# SCHEMATICS

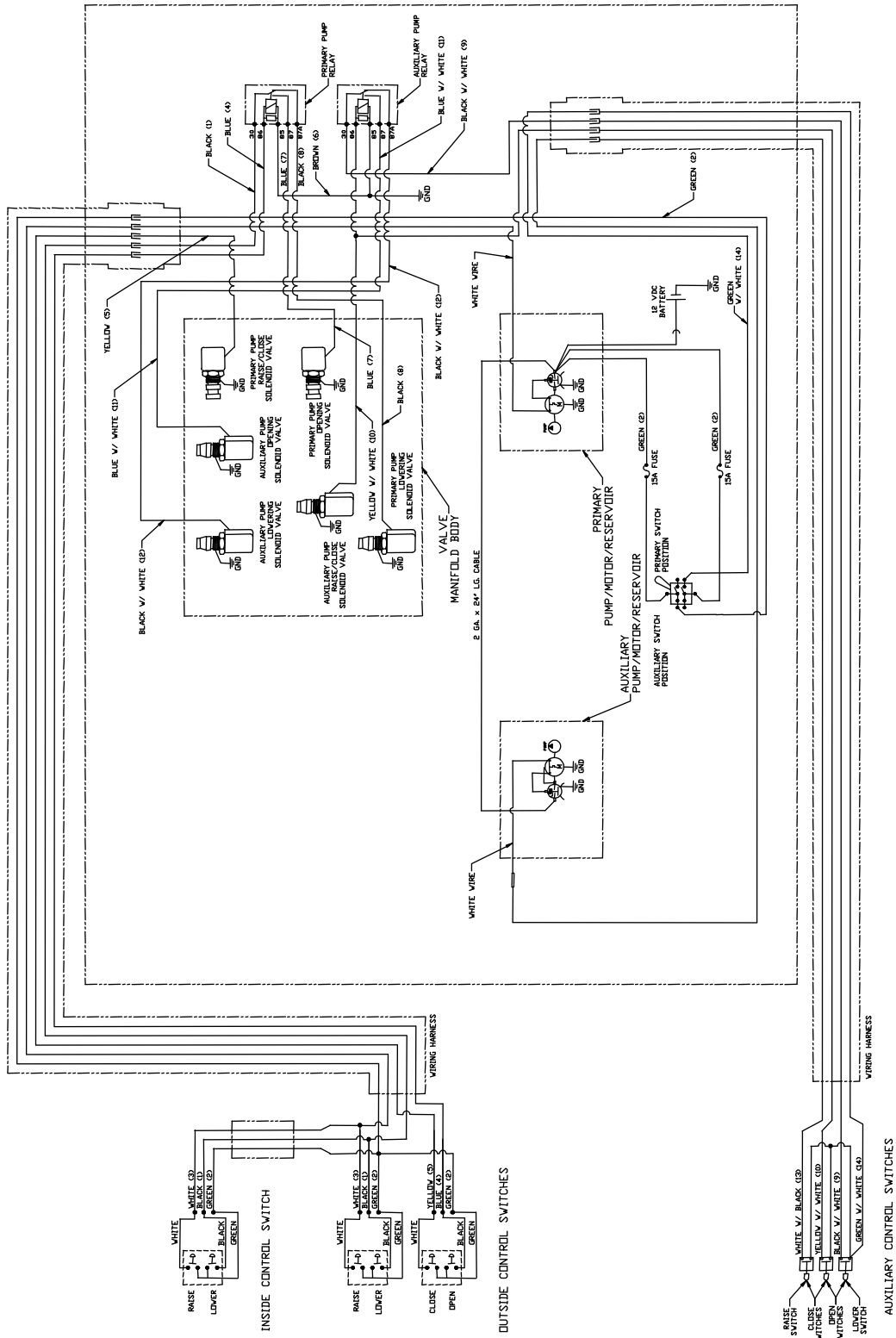
## SINGLE PUMP WITH HAND PUMP HYDRAULIC SCHEMATIC



GR02307

# SCHEMATICS

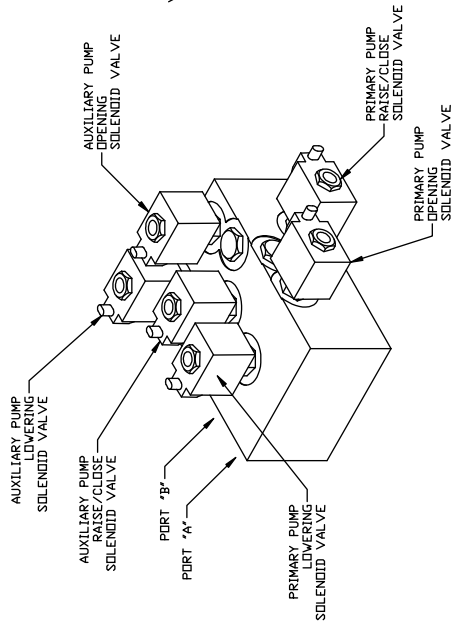
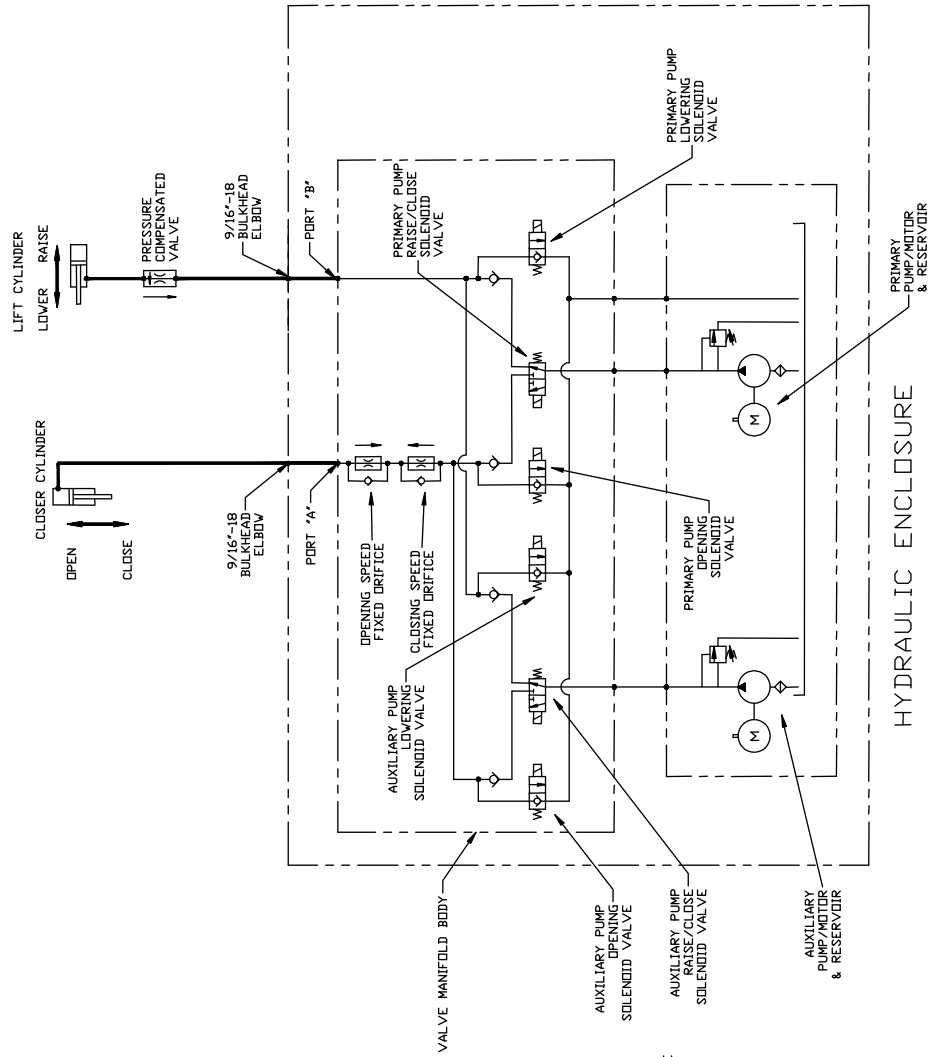
## DUAL PUMP ELECTRICAL SCHEMATIC



GR02308

# SCHEMATICS

## DUAL PUMP HYDRAULIC SCHEMATIC



VALVE MANIFOLD BODY

GR02309

# ***IMPORTANT***

## **WARNING**

**Improper operation and maintenance of this liftgate could result in severe personal injury or death.**

**Read and understand the contents of liftgate Owner's manual and all warning and operation decals before operating and/or performing maintenance on this liftgate.**

**For SAFETY information on this liftgate see Chapter 1 of Owner's manual**