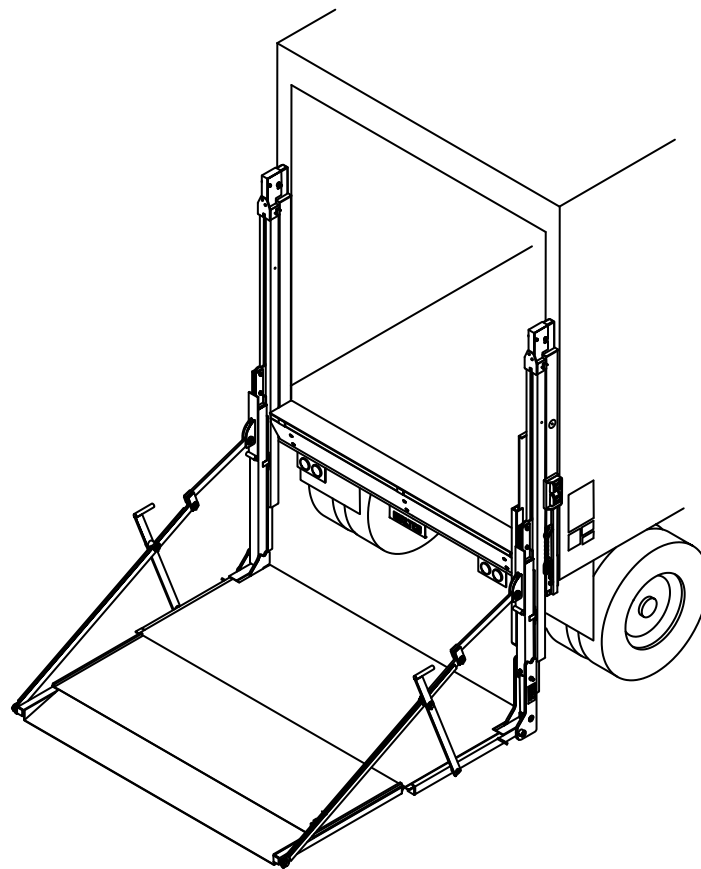

Installation Manual

RGL and RBGL

2000 lb. - 6000 lb. Capacity Rail Liftgates



GR02479

Waltco Lift Corp.
Corporate Office United State
285 Northeast Ave.
Tallmadge, OH 44278
P: 330.633.9191
F: 330.633.1418

Waltco Lift Corp.
United States
620 S Hambledon Ave.
City of Industry, CA 91744
P: 626.964.0990
F: 626.964.0149

Waltco Lift Inc.
Canada
90 North Queen St.
Etobicoke, ON M8Z 2C5
P: 888.343.4550

Table of Contents



Improper installation of this liftgate could result in severe personal injury or death.

Read and understand the contents of these instructions before proceeding.

When installed, this liftgate must not alter or prevent vehicle compliance to any existing state or federal standards.

Each chassis manufacturer's recommendations should be consulted for compliance.

Introduction	3
Safety Information.....	4
Liftgate Terminology	6
Basic Mounting Requirements	9
Installation.....	11
Placement of Decals	35
Lubrication Instructions	37
Final Inspection.....	38
How to Order Parts	54

Optional Kit Instructions:

Tractor Wiring Kit	80100822
Kit #80000618	
Aux Battery Kit (Truck).....	80101387
Kit #80001066	
Aux Battery Kit (Trailer).....	80101387
Kit #80001069	
Cycle Counter Kit	80101564
Kit #80001213	
Cab Shut-Off Kit.....	80101363
Kit #80000827	
Hand Held Remote Kit	80101485
Kit #80000430	
Hand Pump Kit.....	80101392
Kit #80001067	
Bottom Stop Kit.....	80100565
Kit #80000412	

INTRODUCTION

If anyone observes improper installation, improper operation, or damage, they should immediately contact a qualified person for assistance and correction. We strongly urge anyone that has any questions or doubts as to the installation, condition, use, operation, maintenance or repair of the liftgate to contact us at Waltco where we have qualified personnel that will be happy to assist you. Telephone numbers and addresses of these locations are listed in the Owners Manual and Installation Instructions.

INSTALLATION

Waltco liftgates should only be installed by those with sufficient basic skills to understand the installation and operation of the liftgate, along with the equipment on which the liftgate is being installed. Waltco's installation instructions are not intended to give rationale for all the instructions that are given; however, it is the intent of these instructions to give the installer both the operations and what we believe to be the most desirable sequence of implementing these operations. These instructions can in no way expand into an area where they will replace a qualified person, or clear thinking and a basic knowledge that must be possessed by the installer.

It has been our experience that a knowledgeable journeyman following these instructions and observing the operation of the liftgate will have a sufficient comprehension of the liftgate to enable this person to troubleshoot and correct all normal problems that may be encountered.

Failure to follow the installation instructions, adjustments and mounting dimensions may result in improper and unsafe operation of the liftgate. Unauthorized alterations of the liftgate can cause an undesirable and dangerous condition.

OWNERS MANUAL

The Waltco Owners Manual is intended to act as a guide for operation and routine maintenance but is no way intended to encourage usage or repair of the liftgate by those who are not qualified to do so.

The contents of the owners manual include, but are not limited to general operation instructions, routine lubrication, parts lists, and an outline of things that should be checked but may not be obvious to those not technically qualified. This manual assumes the liftgate is properly installed, undamaged and operates correctly. Improper installation, improper operation, or damage should be immediately corrected by a qualified person.

INSPECTION

As part of the regular inspection of a liftgate and after damage or suspicion of an overload, inspect for wear or structural damage and make necessary repairs or replacements. Check all structural components and their attachment to the liftgate for cracked welds, wear and part deformation. Check cylinder and hose for leaks. Inspections and repairs should be made by a qualified mechanic.

REPLACEMENT PARTS

Use only Waltco original equipment replacement parts. Components of other liftgate manufacturers may outwardly appear to be the same but are not interchangeable with Waltco products. Waltco components are specifically designed for safety requirements, reliability and compatibility with our products. Refer to your Waltco parts manual when ordering parts. NOTE: When ordering, give model and serial number of liftgate.

DECALS

It is important that every vehicle that has a WALTCO Liftgate have legible DECALS clearly posted on the vehicle and an OWNER'S MANUAL in the vehicle at all times as a guide for proper operation and maintenance.

Additional DECALS and OWNER'S MANUALS can be obtained from WALTCO TRUCK EQUIPMENT COMPANY.

Chapter 1 Safety Information

WARNING

Read, understand, and follow all of the warning listed below.

Failure to follow these warning could result in severe personal injury or death.

- Read and understand the Owner's Manual, all decals and warning on liftgate before operating liftgate.
- Do not operate liftgate without a thorough knowledge and understanding of the operation of the liftgate.
- Liftgate hazards can result in crushing or falling.
- This liftgate is designed for loading and unloading of cargo. If personnel are required to ride liftgate, observe and familiarize yourself with the liftgate operation, decals and manuals. Ensure stable footing at all times.
- Do not ride liftgate with unstable loads.
- Wheeled loads must be properly retained from rolling.
- Tall, high center of gravity loads must be retained from falling over.
- Never overload liftgate:
Load platform as close to the vehicle, and towards the middle of the platform as possible. Refer to owner's manual and capacity decal of liftgate for maximum load and load placement.
- Keep hands and feet clear of all potential pinch points.
- Never use liftgate if it makes any unusual noise, has unusual vibration, raises or lowers unevenly, or fails to operate smoothly.
- Never use liftgate if it shows any signs of structural damage such as cracked welds, bent or distorted members.
- Do not attempt any repairs unless you are qualified to do so. Care should be taken when work is performed on a disabled liftgate located near moving traffic. When possible the vehicle should be moved away from traffic areas for repair. Precautionary measures should be taken to ensure personal safety including those recommended in Federal Motor Vehicle Safety Standards 571.125.
- When welding to liftgate, or liftgate components, take all necessary safety precautions, including using respiratory protection and other pertinent personal protective gear when welding harmful materials.
- All protective covers, guards, and safety devices must be in place and access doors closed before operating liftgate.
- Do not allow anyone to stand in, or near area, in which Platform will open and close before opening or closing Platform.
- Do not allow anyone to stand near the Platform where a falling load could land on them.
- Platform is always to be properly stored and secured for transit. See the Owner's Manual for details.
- Take care to retain cargo during transit for liftgate Platforms which function as the tailgate or door of the cargo area. Small objects can fall through the space between the vehicle and the folded Platform.
- A Lock-Out device or Shut-Off Switch should always be used to prevent unauthorized use of liftgate.
- For liftgates with Runners, never use liftgate if Runners do not travel freely and smoothly.
- For liftgates with Roller Lifting Chain, the Chain should be replaced every (5) five years or 15,000 cycles, whichever comes first. Replace only with Waltco approved Roller Chain.
- Never transfer loads which exceed lifting capacity on or over any part of the Platform unless the liftgate is equipped with a special reinforced Platform and Platform Support Bars for use when the Platform is used as loading ramp (dock board). Refer to the "Using Platform as a loading ramp" Chapter in the Operation Instructions of the BZ/RZ series Owner's Manual.
- For liftgates equipped with Trailer Hitches, never exceed the rated capacity of the hitch. Do not exceed the vehicle's weight rating. Refer to the vehicle's Owner's Manual.
- Vehicle must comply with all state and federal standards.
- Follow the "Maintenance Guide" chapter in the Owner's Manual.

Chapter 1 Safety Information

Liftgates with Tilt Function

- Proper use of the Control Switches is of extreme importance.
- Improper use of Tilt Switch could cause load to fall from the Platform or damage the liftgate.
- Platform should be in a generally horizontal position when raising or lowering with a load.
- In any tilt position, the Platform may vary from level while raising or lowering the Platform.

Liftgates equipped with spring operated Cam Closer

- Replace Cam Release Spring every five (5) years or 15,000 cycles, whichever comes first.

RGL-Series Liftgates

- Make certain Platform Brake mechanisms are operating properly.
- The Runners are always to remain powered up against the Upstops Pins when in transit.
- Inspect Cables every three (3) months or 750 cycles, whichever comes first. Cables must be replaced if they show signs of wear, distortion, kinking or if any broken wires are visible
- Replace cables every five (5) years or 10,000 cycles, whichever comes first.



This is the safety alert symbol. This manual uses this symbol to alert you to potential personal injury hazards.

Obey all safety messages that follow this symbol to avoid personal injury or death.

SIGNAL WORDS

WARNING

Indicates a potentially hazardous situation, which if not avoided, could result in death or serious injury.

Black letters on an orange background

CAUTION

Indicates a potentially hazardous situation, which if not avoided, may result in minor or moderate injury. May also be used to alert against unsafe practices.

Black letters on a yellow background.

NOTICE

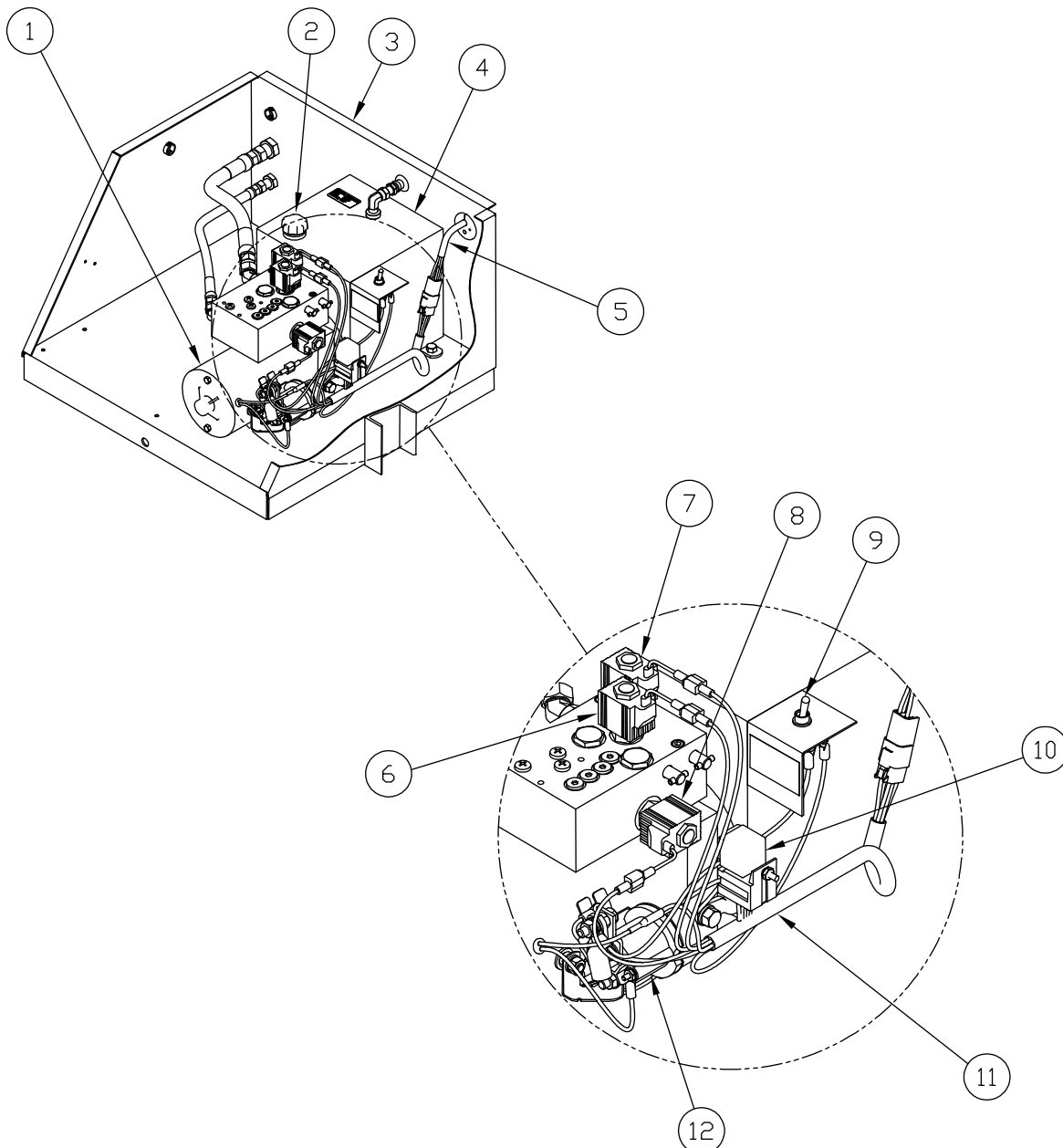
Indicates a potentially hazardous situation, which if not avoided, may result in property damage.



Chapter 2

Liftgate Terminology

- | | |
|--|--|
| <ol style="list-style-type: none">1. Hydraulic Unit2. Breather3. Hydraulic Enclosure4. Hydraulic Reservoir5. Liftgate Wiring Harness6. Opening Solenoid Valve | <ol style="list-style-type: none">7. Lowering Solenoid Valve8. Raise / Close Solenoid Valve9. Toggle Switch (Dual Pump Only)10. Relay11. Motor Wiring Harness12. Starter Solenoid |
|--|--|

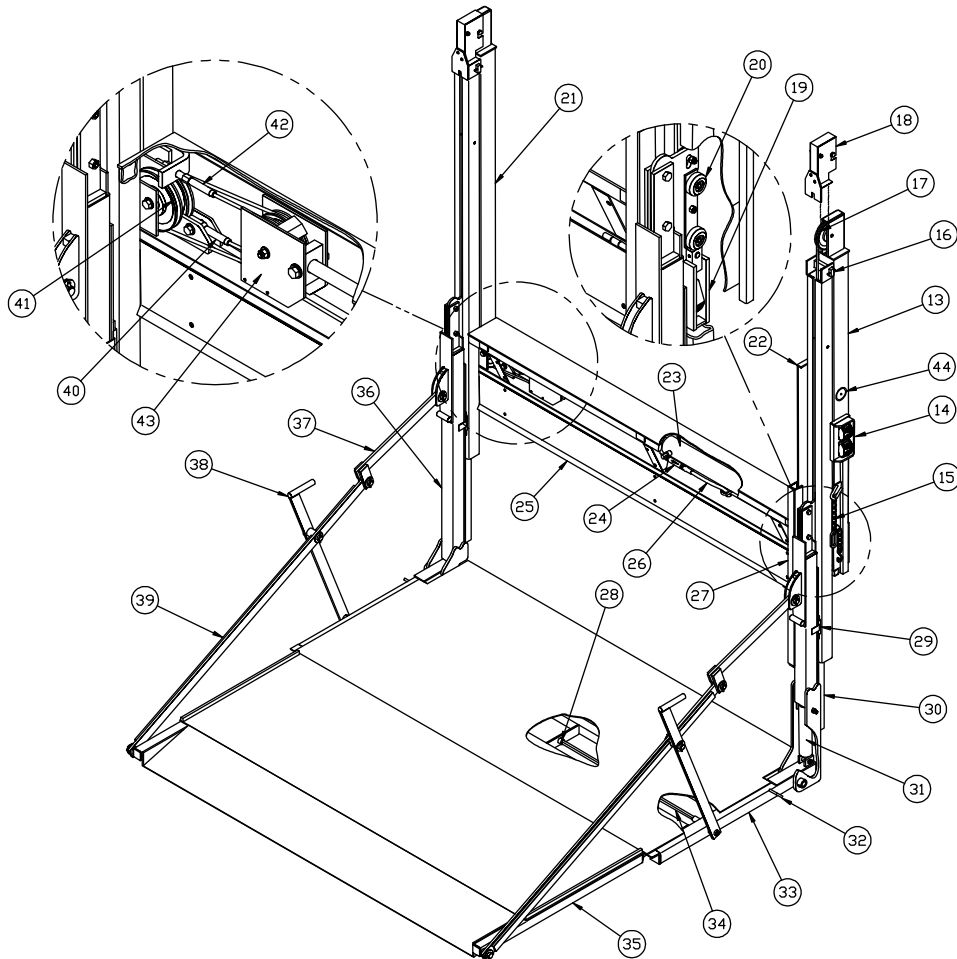


GR02015

Chapter 2

Liftgate Terminology

- | | |
|------------------------------------|--|
| 13. Curb Side Rail | 30. Curb Side Runner Assembly |
| 14. Control Switches | 31. Closure Cylinder |
| 15. Safety Chain Assembly | 32. Chain Clip |
| 16. Upstop Pin | 33. Deck Assembly |
| 17. Pulley Assembly | 34. Torsion Bar |
| 18. Pulley Guard Assembly | 35. Deck Extension Assembly |
| 19. Brake Assembly | 36. Drivers Side Runner Assembly |
| 20. Upper Roller / Tandem Assembly | 37. Upper Link Assembly |
| 21. Drivers Side Rail | 38. Connecting Bar Assembly |
| 22. H-Frame Hose Guide | 39. Lower Link Assembly |
| 23. Lift Cylinder | 40. Curb Side Cable Assembly (Fixed) |
| 24. Flow Control Valve | 41. Pulley Assembly |
| 25. Crossbeam Access Cover | 42. Drivers Side Cable Assembly (Adjustable) |
| 26. Hydraulic Hose | 43. Shoe Assembly |
| 27. Runner Hose Guide | 44. Specification Tag |
| 28. Torsion Bar Anchor | |
| 29. Slide Bearing | |



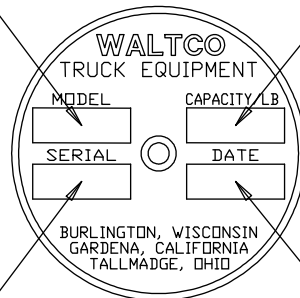
GR02278

Explanation of Specification Tag

Model Name	Description	Capacity
RBGL30	Rail Lift, Bottle Gas	3000 lbs.
RBGL40	Rail Lift, Bottle Gas	4000 lbs.
RGL20	Rail Lift (96" WIDE)	2000 lbs.
RGL30	Rail Lift (96" WIDE)	3000 lbs.
RGL40	Rail Lift (96" WIDE)	4000 lbs.
RGL50	Rail Lift (96" WIDE)	5000 lbs.
RGL60	Rail Lift (96" WIDE)	6000 lbs.
RGL20	Rail Lift (102" WIDE)	2000 lbs.
RGL30	Rail Lift (102" WIDE)	3000 lbs.
RGL40	Rail Lift (102" WIDE)	4000 lbs.
RGL50	Rail Lift (102" WIDE)	5000 lbs.
RGL60	Rail Lift (102" WIDE)	6000 lbs.

MODEL NAME

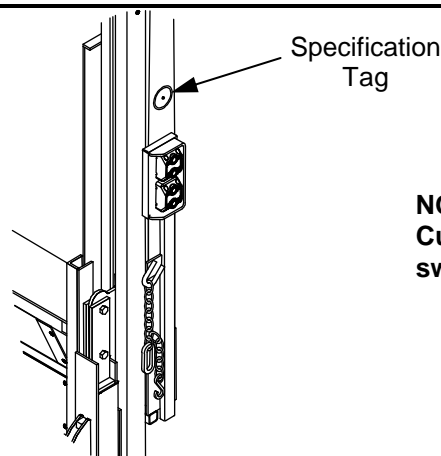
RATED CAPACITY
Based on an evenly distributed load on the platform flat surface.



SERIAL NUMBER
of liftgate. To be used when ordering parts or when contacting Waltco for service or warranty questions

DATE OF MANUFACTURE
Month / Year

GR00241



NOTE: Tag located on Curb Side Rail above switches.

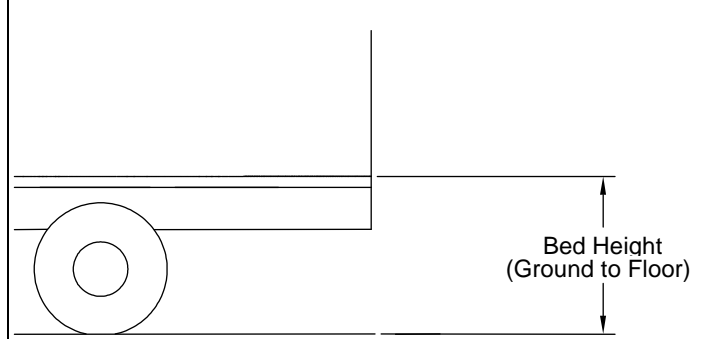
GR02279

Chapter 3 Basic Mounting Requirements

Measure distance from ground to floor level. This is the bed height.

Bed height requirements differ with platform size and whether or not vehicle is to have dock loading capabilities.

Refer to Bed Height Chart below to determine if your particular size platform will be suitable for bed height of vehicle.



GR00139

RGL BED HEIGHT CHART

Platform Size	Bed height range without dock loading capability			*Bed height range with dock loading capability		
	Minimum	Maximum		Minimum	Maximum	
	All Models	RGL-20,30,40	RGL-50,60	All Models	RGL-20,30,40	RGL-50,60
36 X 90 BE	36	60	53**	40	60	53**
36 X 90 +6	36	60	53**	46	60	53**
36 X 90 +12	36	60	53**	52	60	53**
42 X 90 BE	36	60	53**	46	60	53**
42 X 90 +6	36	60	53**	52	60	53**
42 X 90 +12	36	60	53**	56	60	53**
60 X 90 BE	36	60	53**	46	60	53**
60 X 90 +12	36	60	53**	46	60	53**
72 X 90 BE	36	60	53**	46	60	53**
72 X 90 +12	36	60	53**	46	60	53**
84 X 90 BE	36	60	53**	46	60	53**

* For dock loading capability, we recommend vehicle bed height be 4" greater than depth of folded or one piece platform.

** Maximum bed height on RGL-50 & 60 is 53". For bed heights greater than 53", up to 58", install Rail Extensions (refer to "Installation of Rail Extensions" in Chapter 4).

Door Requirements

The RGL Series liftgate cannot be installed on vehicles with "Swing Type" doors or any other type door with which the installation may interfere.

Chapter 3 Basic Mounting Requirements

Body Requirements

Special instructions are required for some body types.

Read the appropriate chapters listed in table below before starting installation.

Description of Bodies	Refer to:	
	Chapter	Pages
Aluminum Corner Posts	4	2 - 3
Bodies less than 92" wide	4	6
Irregular shaped corner posts	4	7
Irregular shaped sill	4	1 - 3
Crossbeam Box Welds	4	7-8
Flat Bed bodies	4	9

Side Wall Requirements

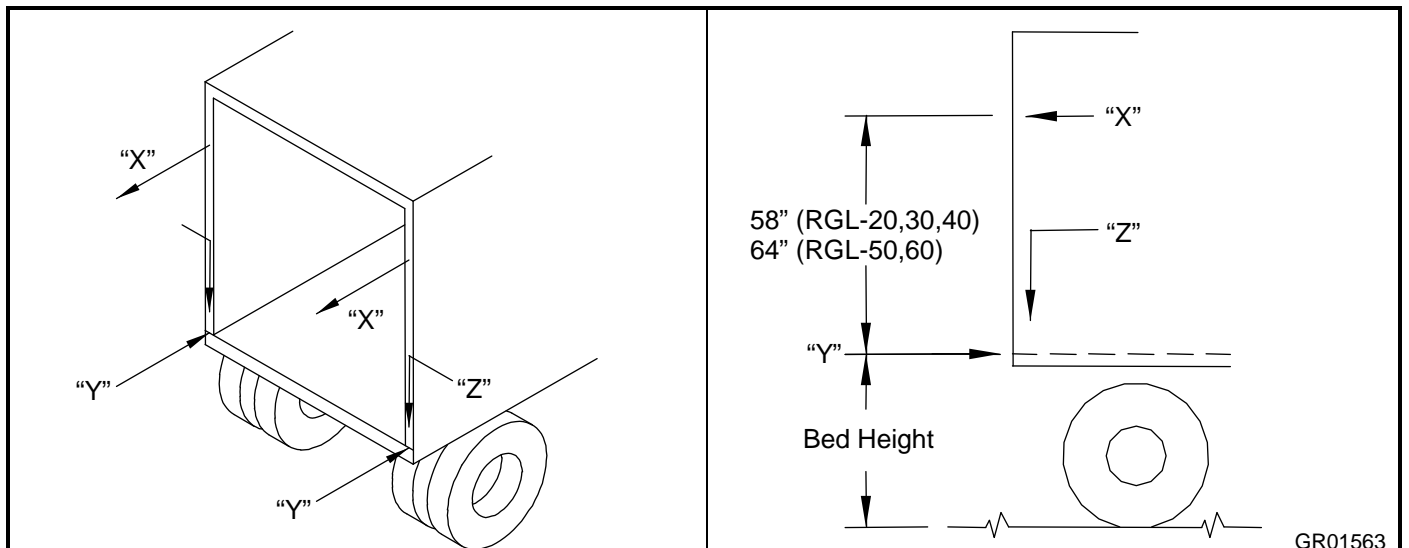
Vehicle must be capable of supporting forces shown.

NOTE:

If in doubt about requirement descriptions, contact Waltco.

Model	X & Y lb.	Z lb.
RGL-20,30	2000	3000
RGL-40	2500	4000
RGL-50	3000	5000
RGL-60	3500	6000

X – Each side wall tension
 Y – Each side wall compression
 Z – Each side wall shear



Chapter 4

Liftgate Installation

PREPARATION OF BODY SILL

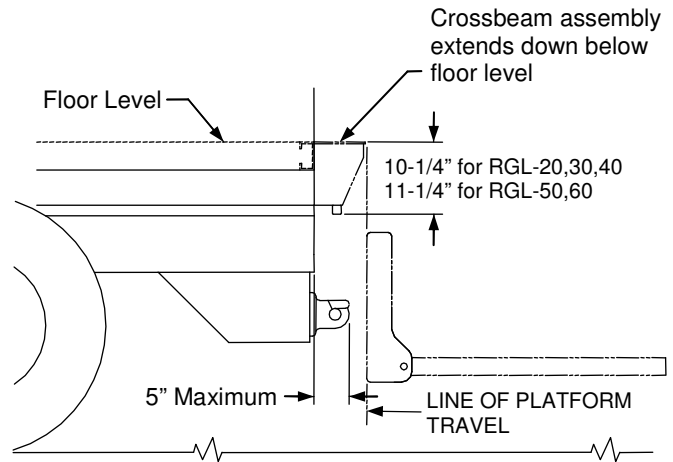
Remove all obstructions that would interfere with operation of Liftgate; such as Dock Bumpers, Trailer Hitches, projections, etc.

NOTE:

Trailer Hitches cannot extend more than 5" beyond rear of body.

NOTE:

Trailer Hitch must not be attached to any part of liftgate.

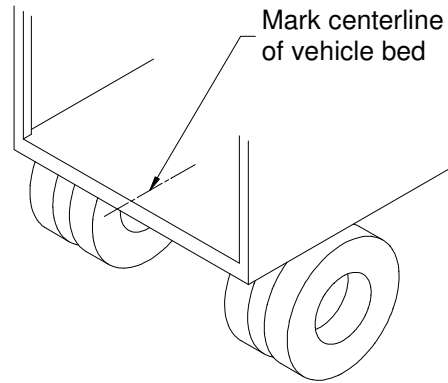


GR02280

Locate and mark the center of Body Sill.

NOTE:

All mounting measurements for centering liftgate will come from centerline mark.



GR02281

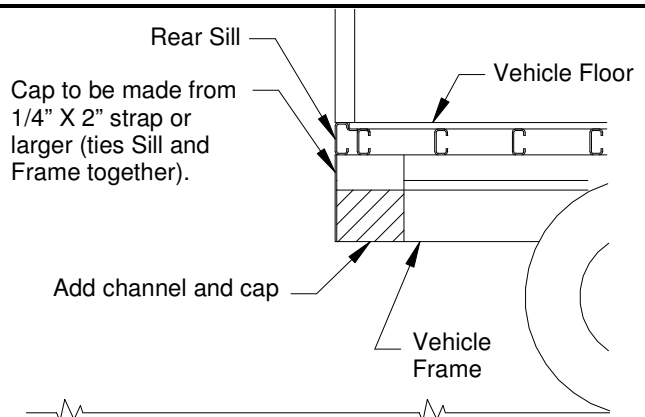
TRUCKS WITH SHORT FRAME

On trucks with a short Frame (Frame does not extend to rear of Sill), Frame will have to be extended.

NOTE:

Channel must be added to Vehicle Frame and capped so to be flush with Rear Sill.

Cap Vehicle Frame using 1/4" X 2" steel strap.



GR0

Chapter 4

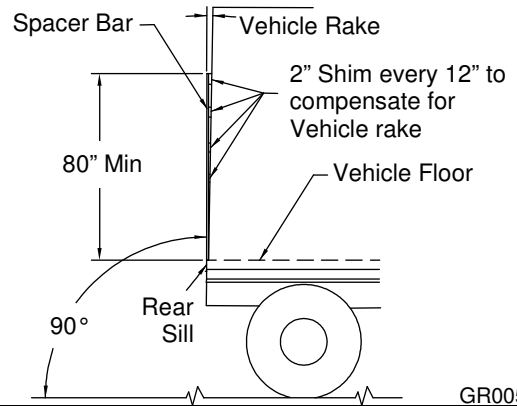
Liftgate Installation

CORNER POSTS

Check to see if Corner Posts are 90° to ground. If not 90°, add shims to compensate for vehicle rake.

NOTE:

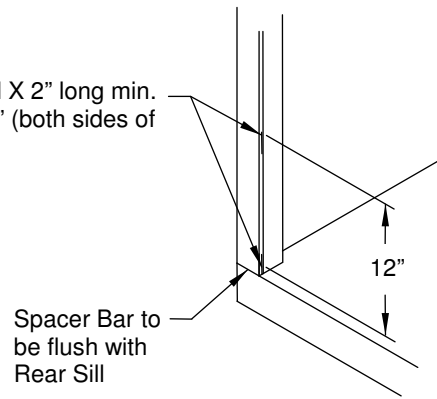
Corner Posts must be 90° to ground or end of Ramp may not touch ground.



Check to see if Corner Posts are flush with Rear Sill. If not flush, add Spacer Bars to Corner Posts.

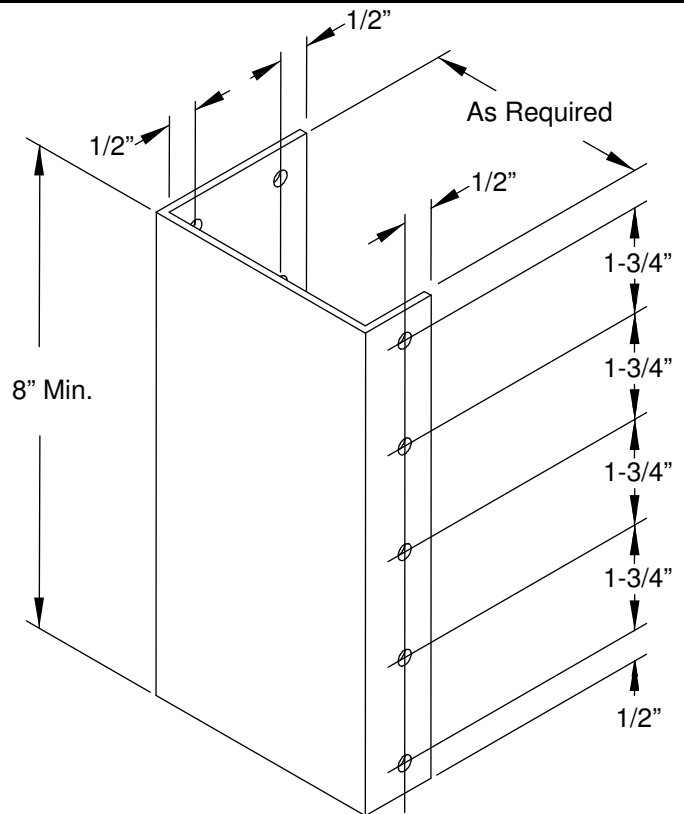
1/8" weld X 2" long min. every 12" (both sides of spacer)

Spacer Bar to be flush with Rear Sill



ALUMINUM CORNER POSTS

If Vehicle has aluminum Corner Posts, fabricate four (4) steel Mounting Brackets out of 10 ga. or 1/8" steel (min).

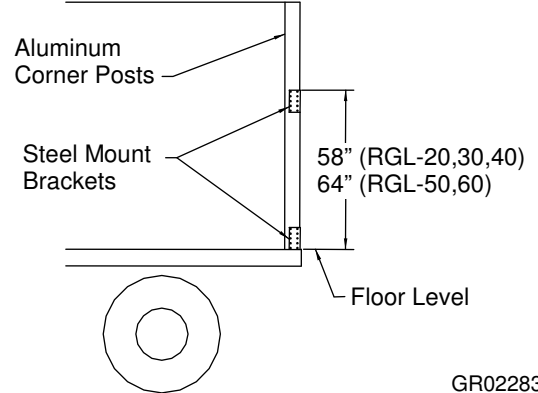


Chapter 4

Liftgate Installation

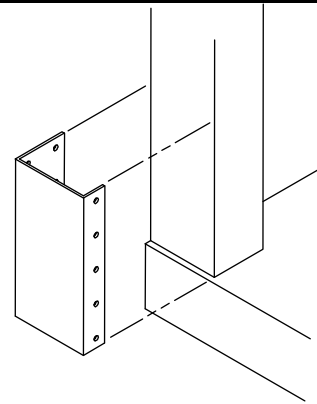
INSTALL STEEL MOUNTING BRACKETS

Mounting Brackets to be installed at floor level and at 58" or 65" (per liftgate capacity).



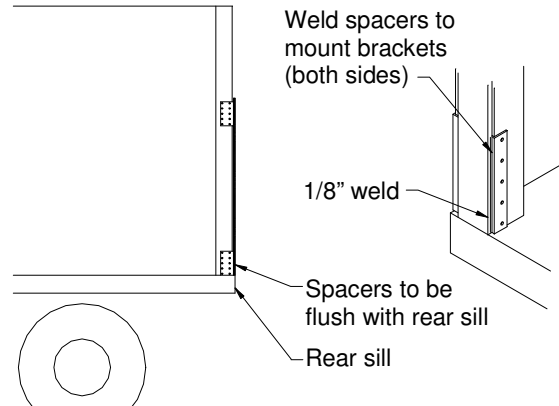
GR02283

Attach Mounting Brackets to Corner Posts using suitable fasteners (1/4" dia. or larger).



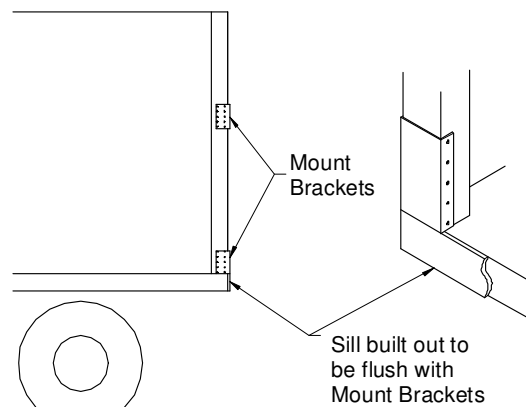
GR02284

Check if Mounting Brackets are flush with Rear Sill.
If Rear Sill extends beyond Mounting Brackets add Spacers to Mount Brackets.



GR02285

If Mount Brackets extend beyond Rear Sill, build out Sill flush with Mount Brackets.



GR02286

Chapter 4

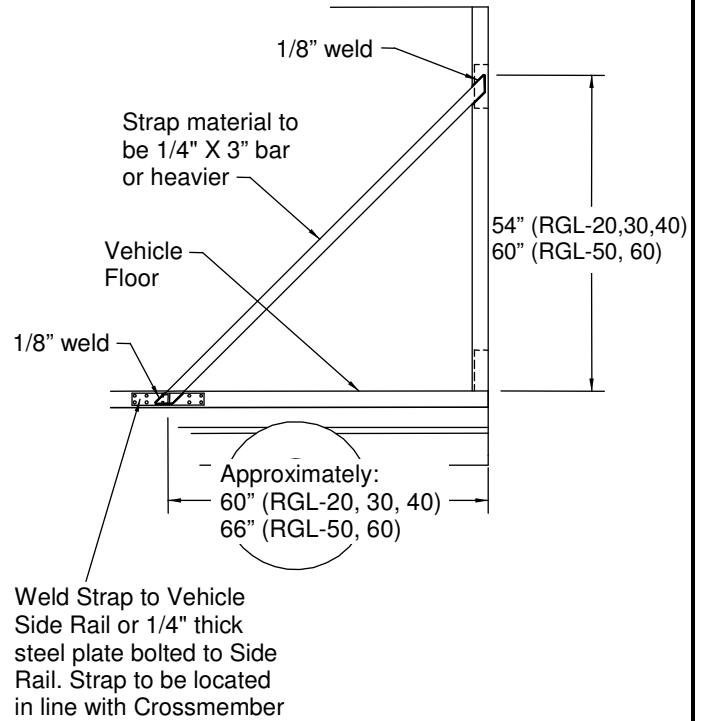
Liftgate Installation

SIDE WALL REQUIREMENTS

If Side Walls of Truck do not meet minimum requirements given in "Basic Mounting Requirements", support straps will need to be installed from Corner Posts down to Truck Side Rails .

NOTE:

If in doubt about strength of Side Walls, always add strap.



GR02287

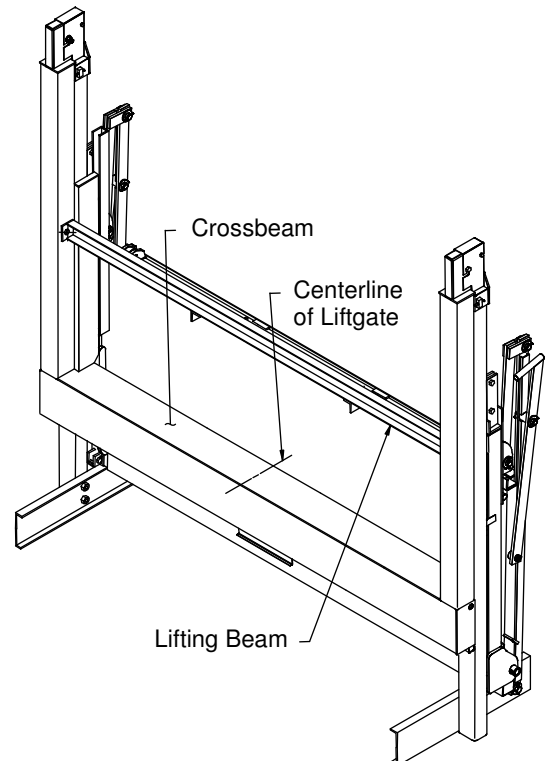
PREPARATION OF LIFTGATE

Carefully remove all Pump, Battery, and Shipping Boxes from Lifting Beam and/or Liftgate.



Do not remove any shipping straps or supports from Liftgate until instructed to do so.

Locate and mark Centerline on top of Crossbeam. Centerline will line up with centerline of Vehicle Bed when liftgate is positioned for installation.



GR02288

Chapter 4

Liftgate Installation

LIFTGATE INSTALLATION

Use a Forklift to raise Liftgate by the Lifting Beam.

Position Liftgate at rear of Vehicle Body and at desired height. Make sure Liftgate is level and centered on body.



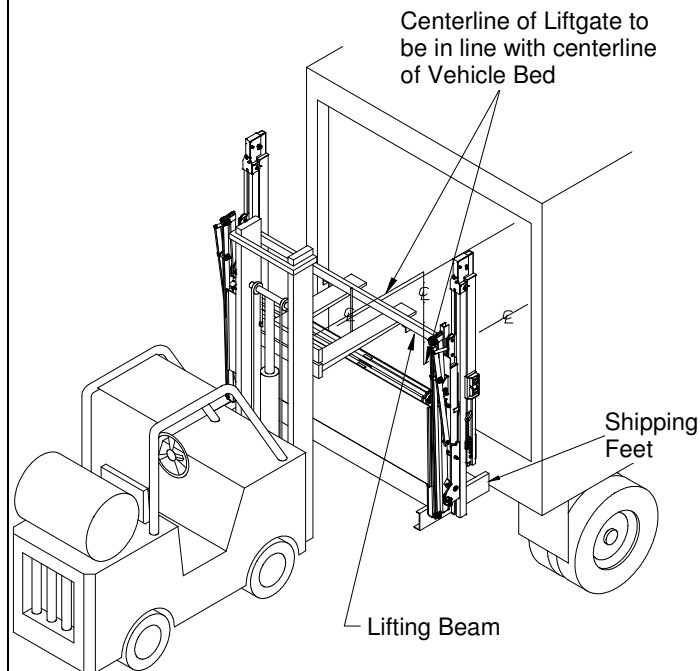
STAND CLEAR of installation area while positioning Liftgate.



Do not remove Shipping Feet until Liftgate Platform has been powered up off of Shipping Feet.

NOTE:

For installation on Flat Bed Trucks, see the "Installation on Flat Beds" section.



GR02289

Tack weld Liftgate to Vehicle Corner Posts.



Never allow flame, heat, or sparks to contact lifting cables when welding.

NOTE:

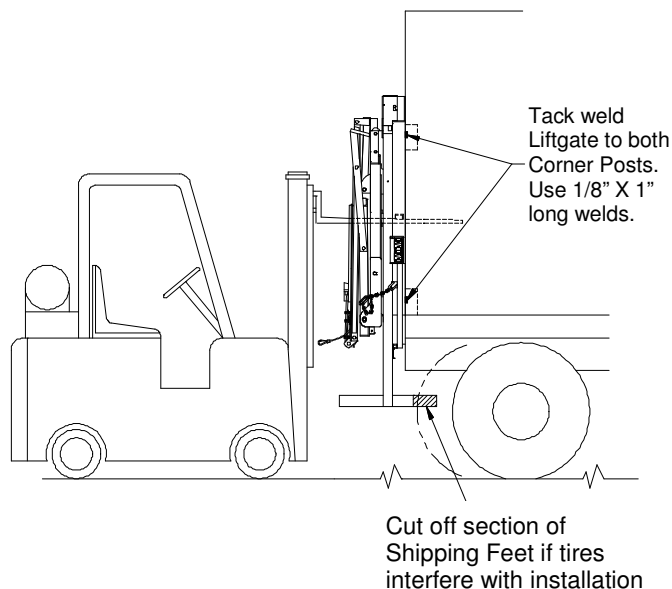
On Trailers with "West Coast" axle setting, tires may interfere with installation. If so, rearward extension of Shipping Feet must be cut off after Liftgate is raised. **DO NOT** remove Shipping Feet until instructed later.



Do not remove forklift yet.

Recheck position of Liftgate Assembly, check that:

- Crossbeam Assembly is flush with Vehicle Floor (or at desired height if different from floor height)
- Lift is centered on Vehicle
- Rail Assemblies are vertical and tight against corner posts.



GR02290

Chapter 4

Liftgate Installation

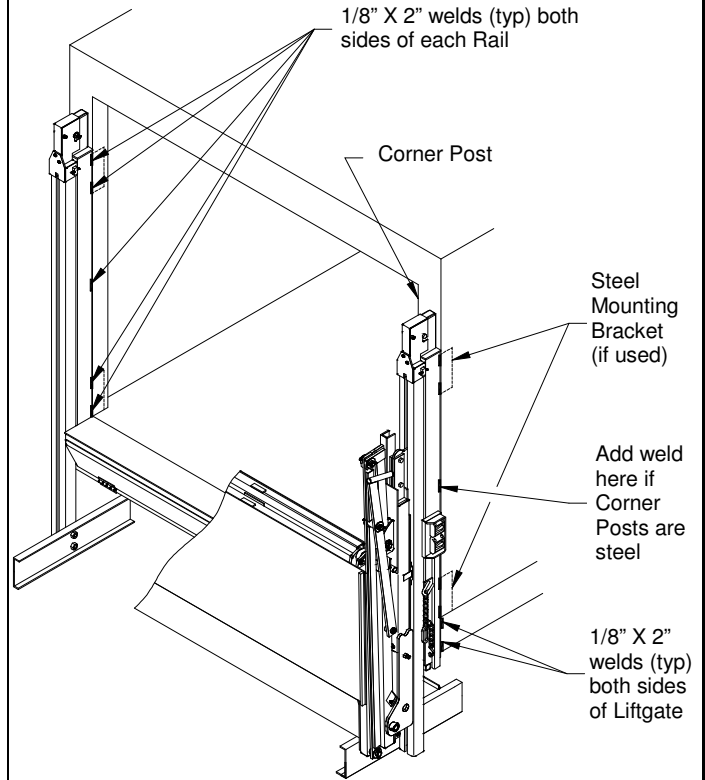
Weld Liftgate to Vehicle then remove Forklift.



Shield all wires and hoses from heat and weld spatter.



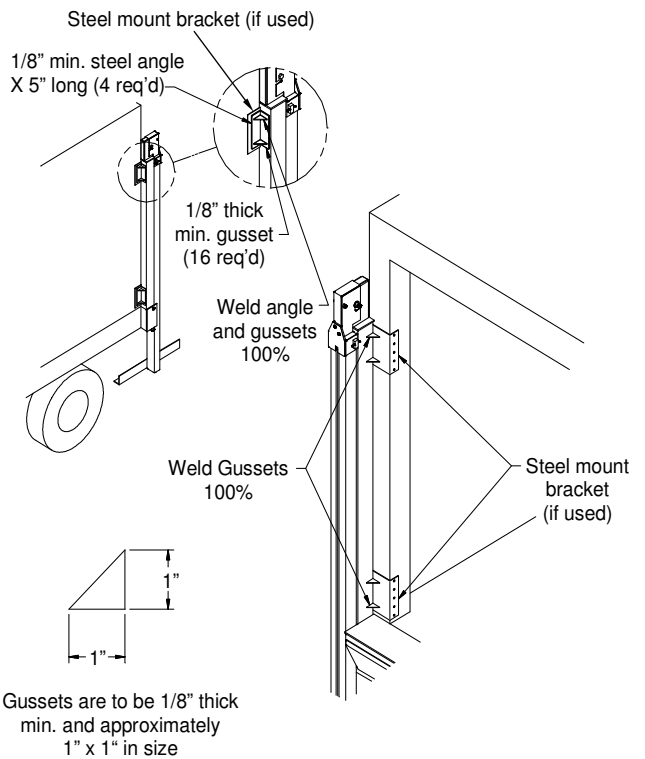
Never allow flame, heat, or sparks to contact lifting cables when welding.



GR02291

VEHICLE BODIES LESS THAN 92"

If Vehicle Body is 92" wide or less, weld Rail assemblies using angles and gussets.



Gussets are to be 1/8" thick min. and approximately 1" x 1" in size

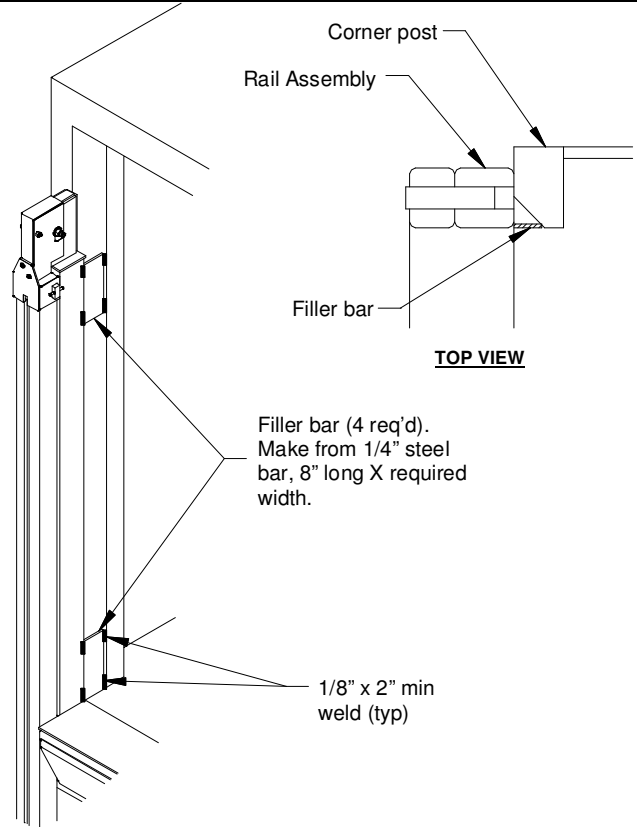
GR02292

Chapter 4

Liftgate Installation

IRREGULAR SHAPED CORNER POSTS

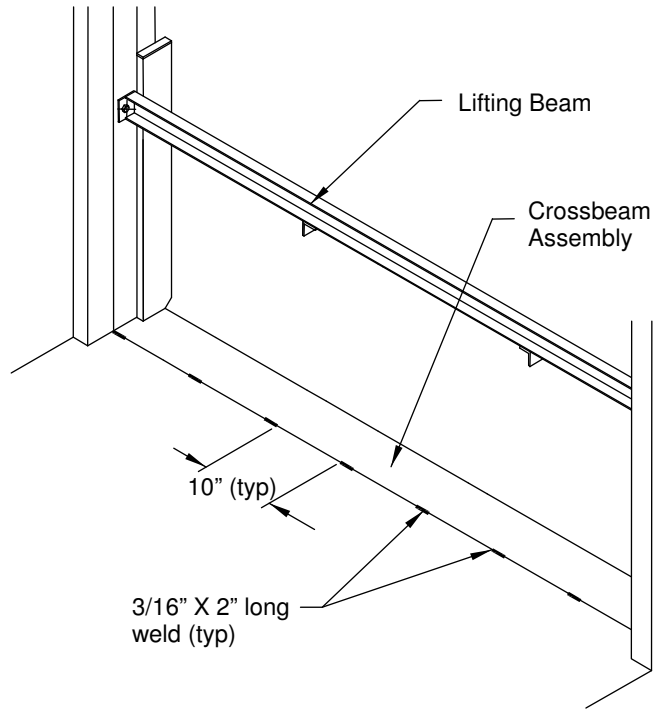
If Corner Post of Vehicle is not square or rectangular, filler bars will have to be added.



GR02293

WELDING CROSSBEAM

Weld Crossbeam assembly to Rear Sill.

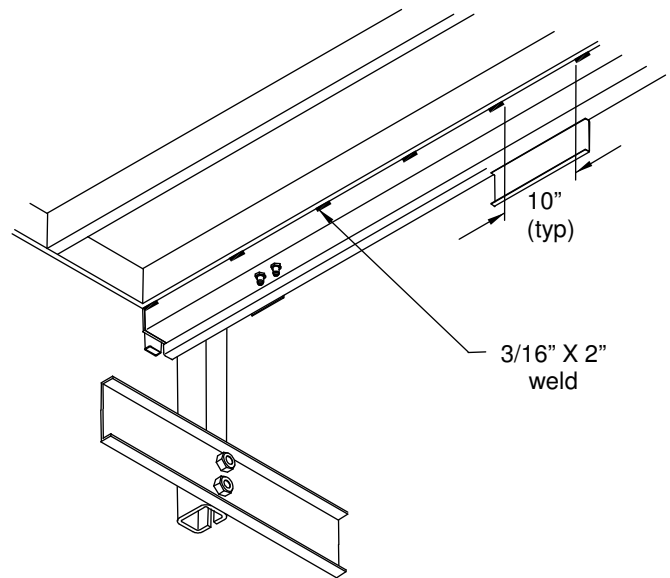


GR02294

Chapter 4

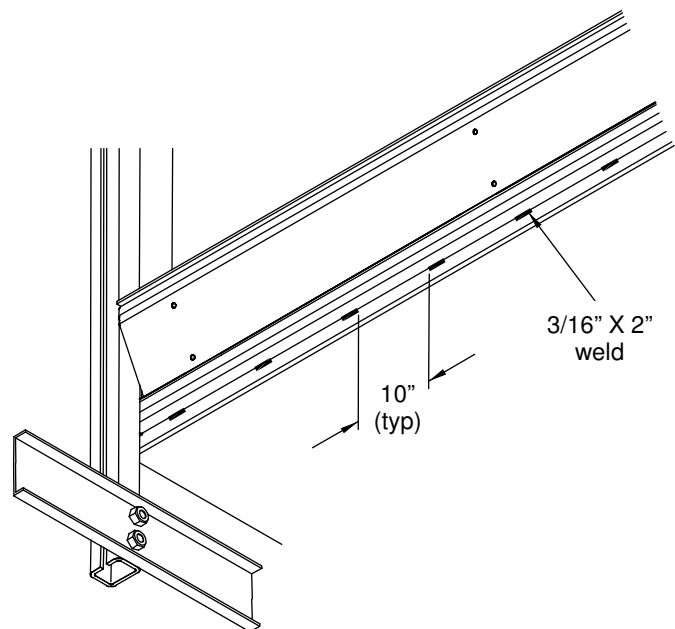
Liftgate Installation

Weld rear of Box Assembly to Rear Sill on Sills that do not extend below Crossbeam Assembly.



GR02297

On Vehicles with Sills that extend below Crossbeam Assembly, weld from front.



GR02297

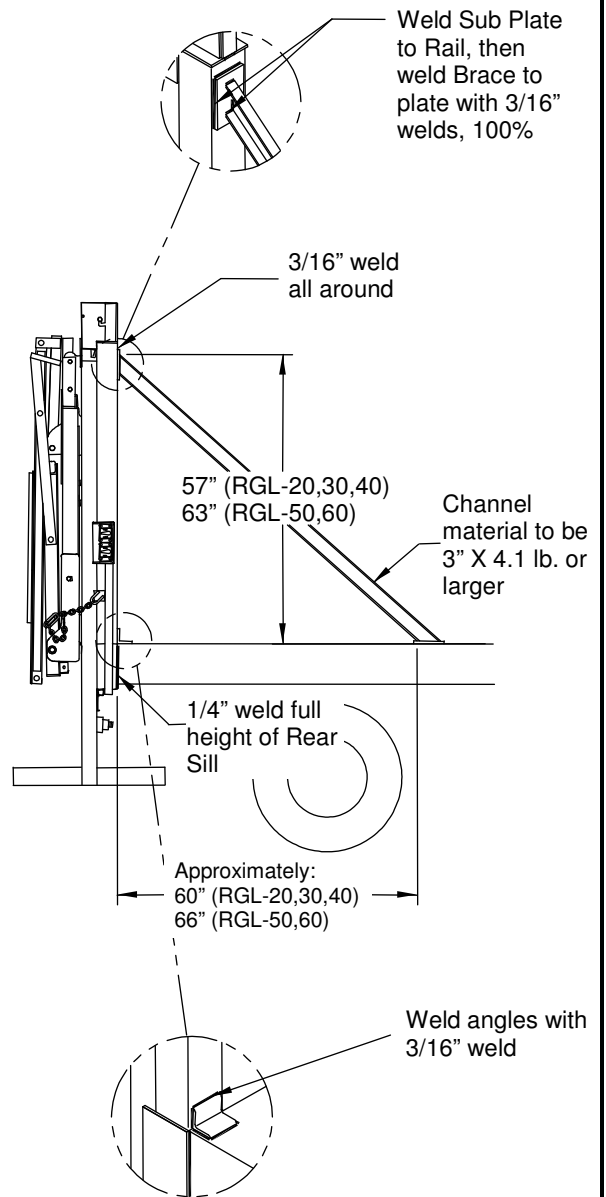
Chapter 4

Liftgate Installation

INSTALLATION ON FLAT BEDS

Installations on Flat Beds require channels to be welded from Rail assemblies of Liftgate back to Side Rails of Body.

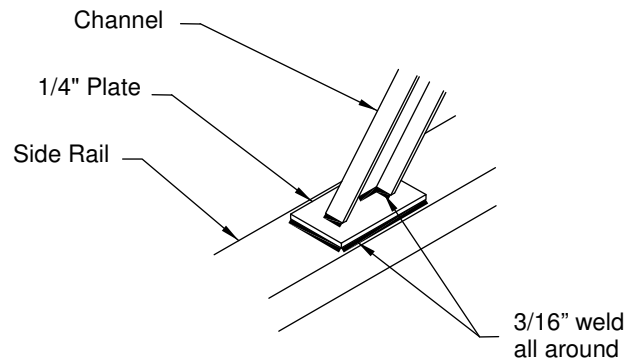
Weld two angles (2" X 2" X 1/4" thick X 3" long) and two sub plates (1/4" X 3" X 5") to Uprights.



GR02298

SIDE RAILS LESS THAN 1/4" THICK

If Side Rail of Body is less than 1/4" thick, bolt or weld a 1/4" thick plate to Side Rail first then weld Channel to plate.



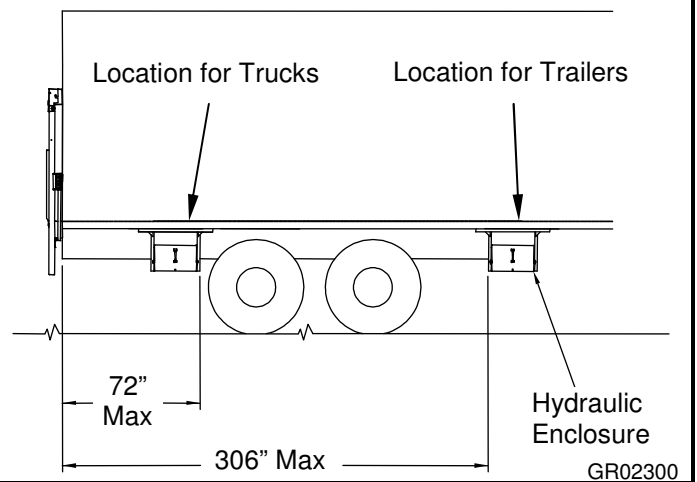
GR02299

Chapter 4

Liftgate Installation

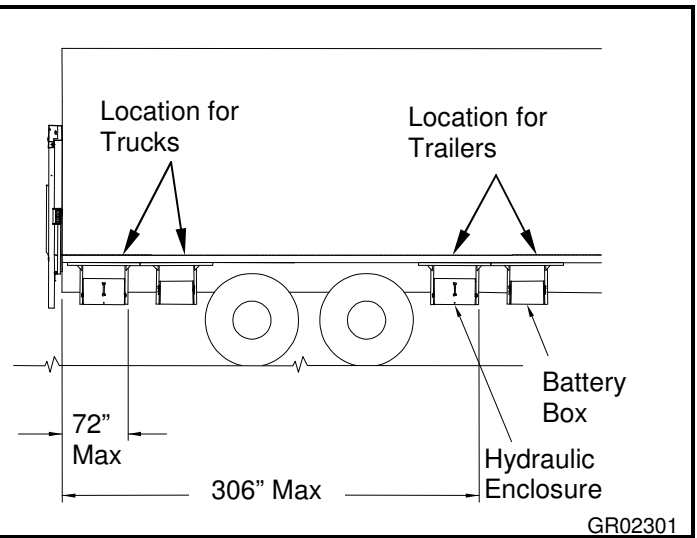
INSTALLATION OF PUMP ENCLOSURE ONLY

Locate a position for Hydraulic Enclosure as shown.
Weld top channel of Enclosure to body Crossmembers with a minimum 1/8" X 6" total weld.



INSTALLATION OF PUMP AND AUXILIARY BATTERY ENCLOSURES



Locate a position for Hydraulic Enclosure and Battery Box (if used) as shown.
Weld top channel of Enclosures to body Crossmembers with a minimum 1/8" X 6" total weld for each enclosure.

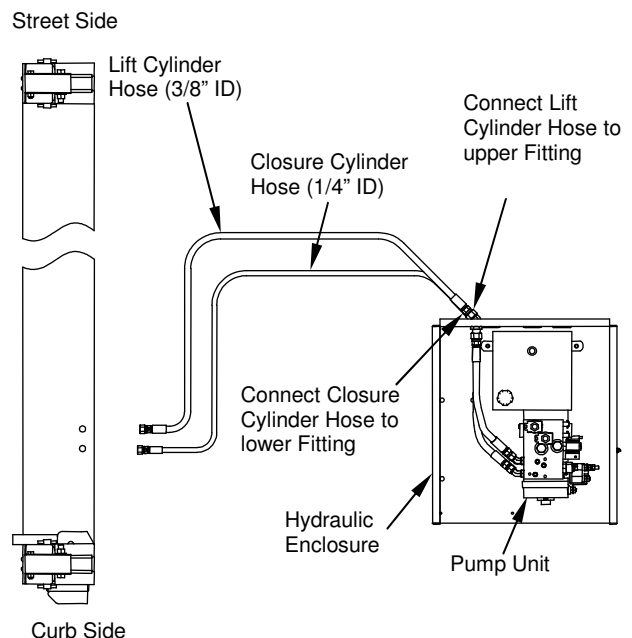


HOSE INSTALLATION

Connect the 3/8" ID Lift Cylinder Hose to upper 45° fitting located on side of Hydraulic Enclosure
Connect the 1/4" ID Closure Cylinder Hose to lower 45° fitting located on side of Hydraulic Enclosure
Route two (2) hoses from Hydraulic Enclosure to Liftgate. For trailer installations, all hoses should be routed rearward along center of trailer body.

DO NOT CONNECT HOSES TO LIFTGATE AT THIS TIME

-  **Do not kink or crimp hoses when routing from Hydraulic Enclosure to Liftgate.**
-  **Keep all hoses away from sharp corners, sharp edges, and away from vehicle exhaust stream.**



Chapter 4

Liftgate Installation

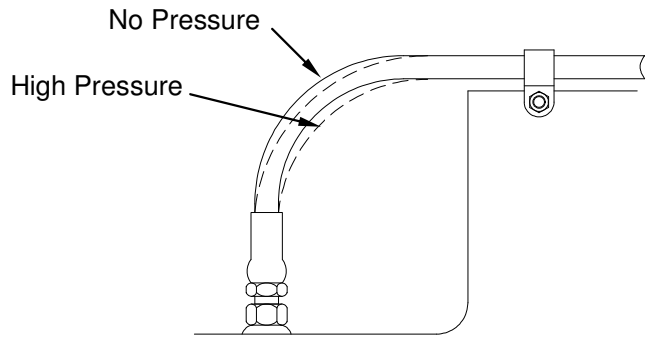
HOSE INSTALLATION NOTES

Avoid twisting of hoses.

Avoid sharp bends when routing hoses

Hoses will contract under pressure. Allow plenty of slack between connecting points.

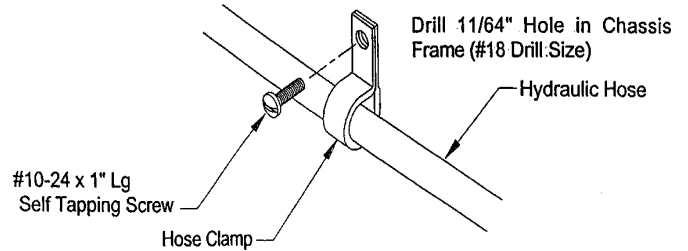
Do not clamp hoses at bends to allow for length changes when hose is pressurized.



GR00717

SECURING HYDRAULIC LINES

Use the hose clamps, found in the parts bag, to secure hoses to vehicle.



GR00265

WIRING HARNESS INSTALLATION

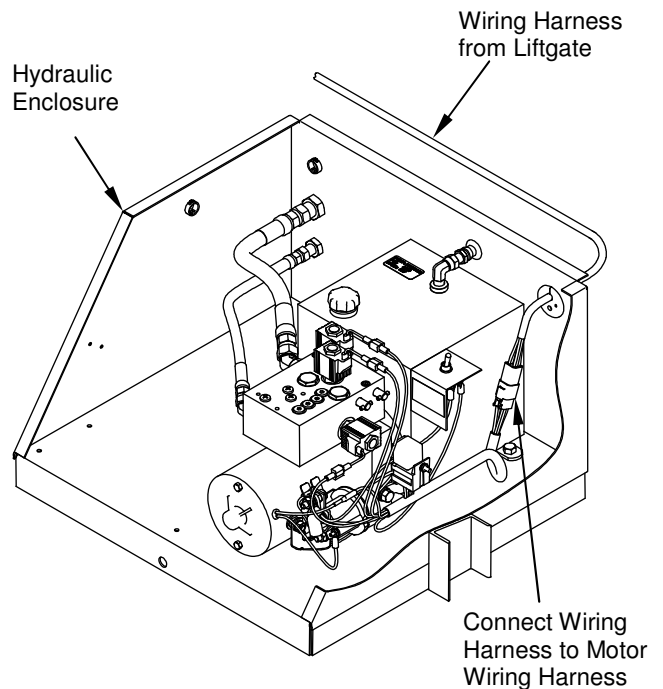
Route main Wiring Harness from Liftgate forward to Hydraulic Enclosure.

- For trailer installations, a trailer Extension Harness is provided and must be connected to main Wiring Harness.

Main Wiring Harness, Extension Harness, and all hoses should be routed along center of trailer body.

Route Wiring Harness through grommets hole in back of Hydraulic Enclosure.

Connect Wiring Harness to Motor Control Harness at Pump Unit. Any excess harness length should be coiled up and contained within Hydraulic Enclosure.



GR02303

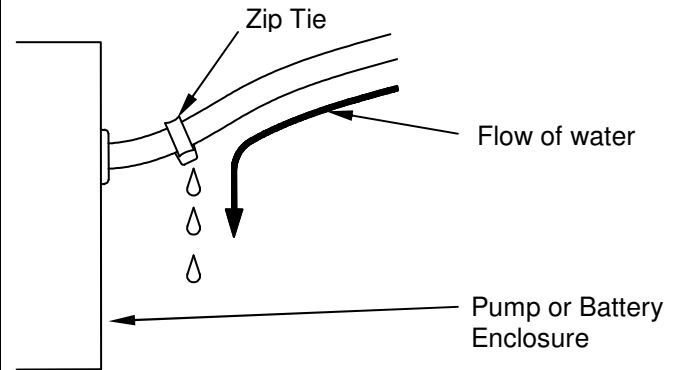
Chapter 4

Liftgate Installation

DIVERT WATER FROM ENCLOSURE

To help prevent channeling water into pump or battery enclosures:

- Secure hoses, cables and cords downward as they exit the enclosure.
- If a downward exit is impractical, a Zip Tie can be installed around hose or cable to help interrupt the flow of water as shown.

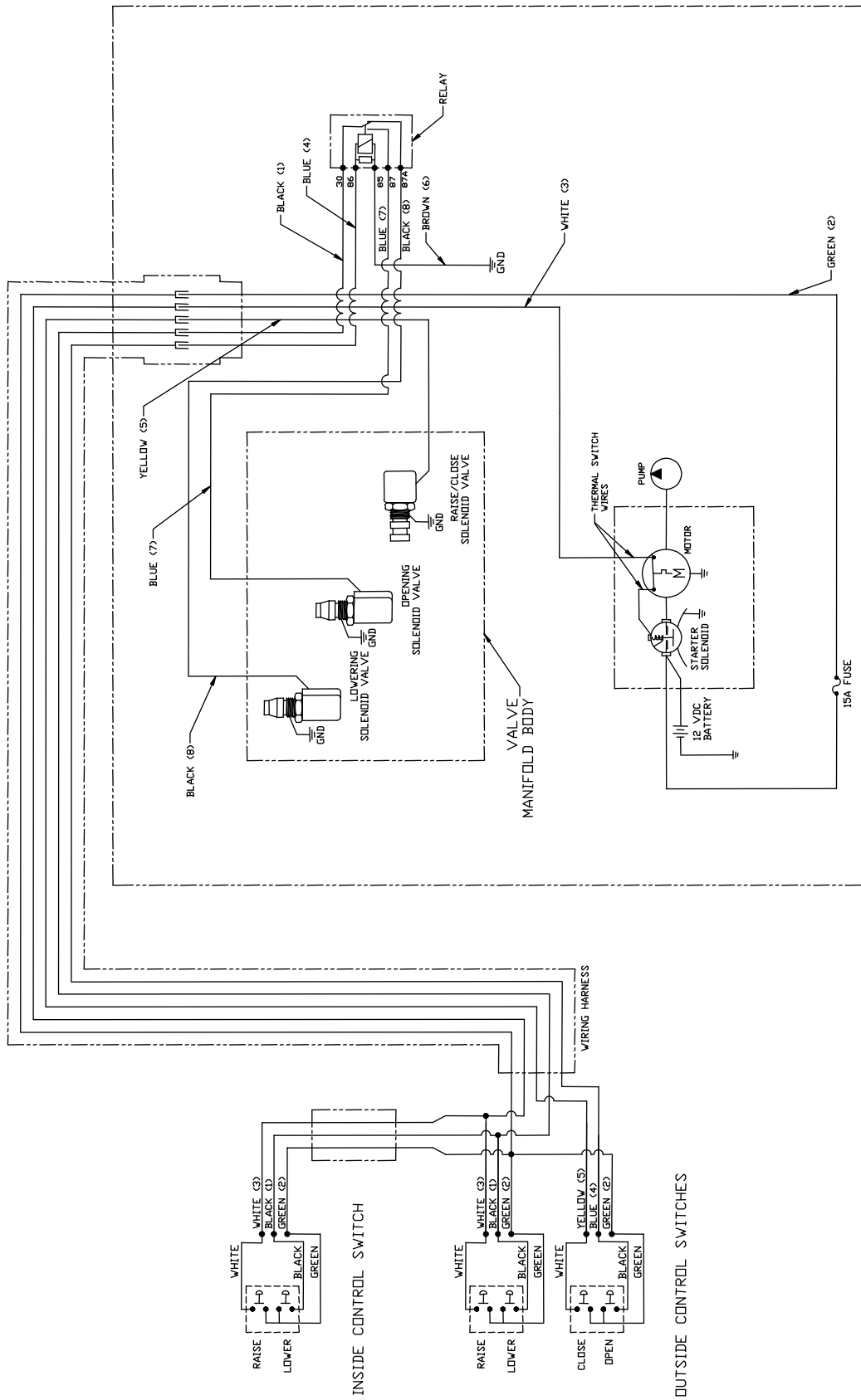


GR02460

Chapter 4

Liftgate Installation

SINGLE PUMP ELECTRICAL SCHEMATIC

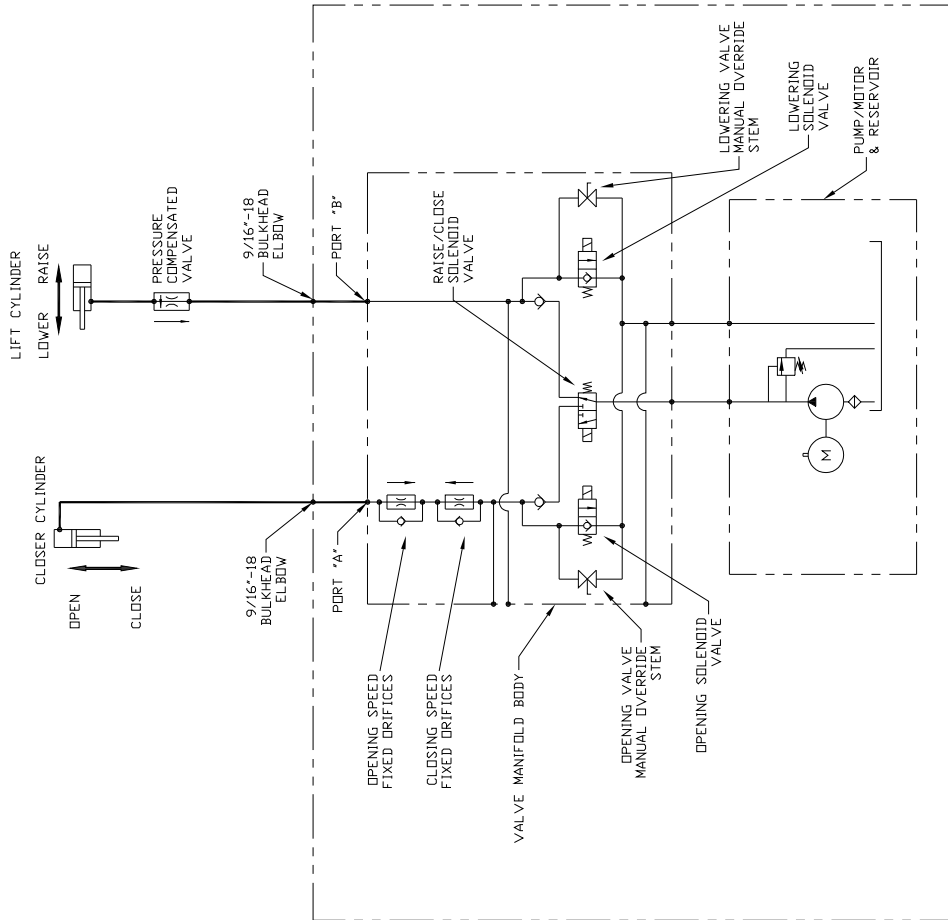


GR02304

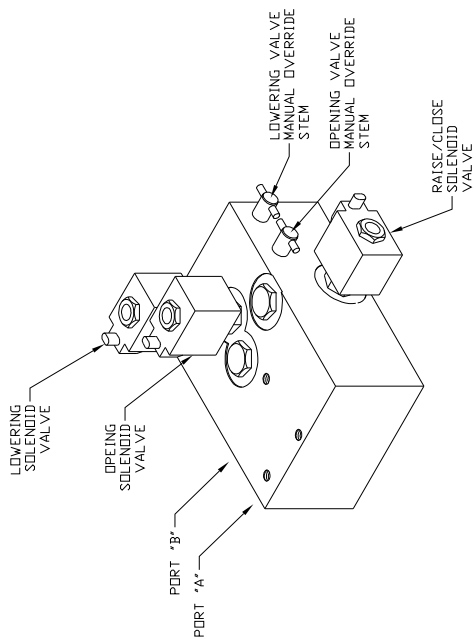
Chapter 4

Liftgate Installation

SINGLE PUMP HYDRAULIC SCHEMATIC



HYDRAULIC ENCLOSURE

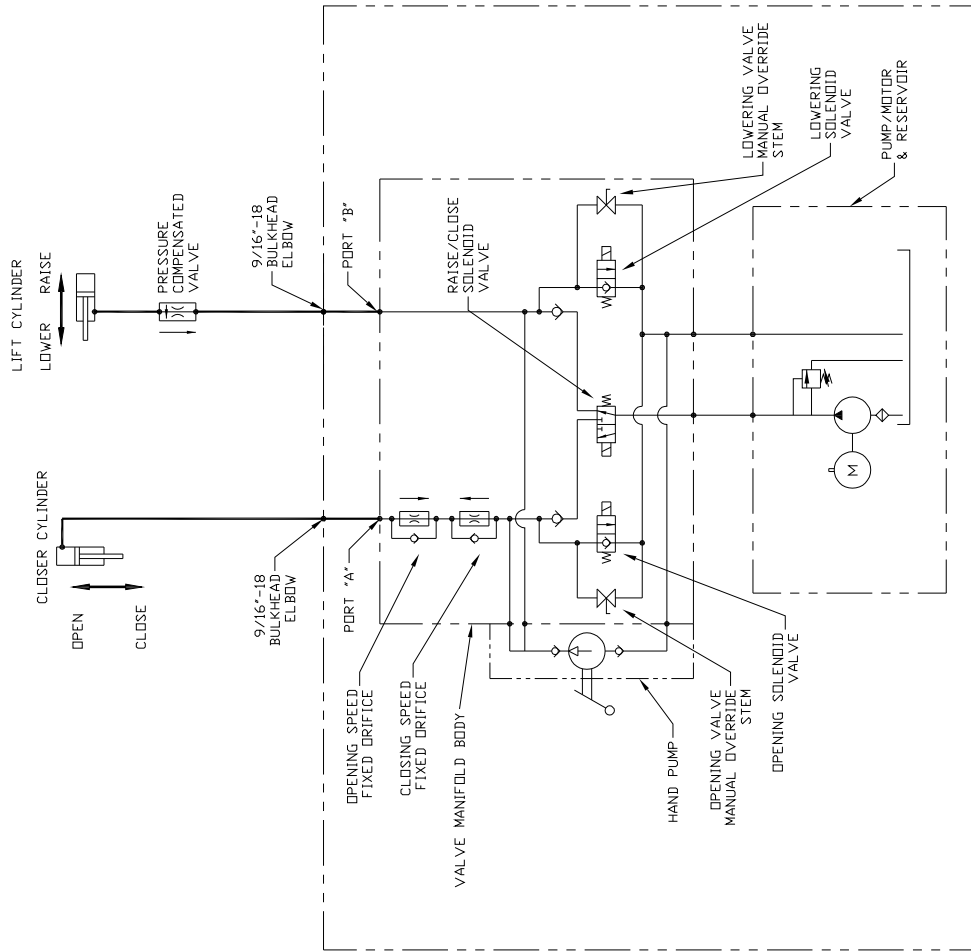


VALVE MANIFOLD BODY

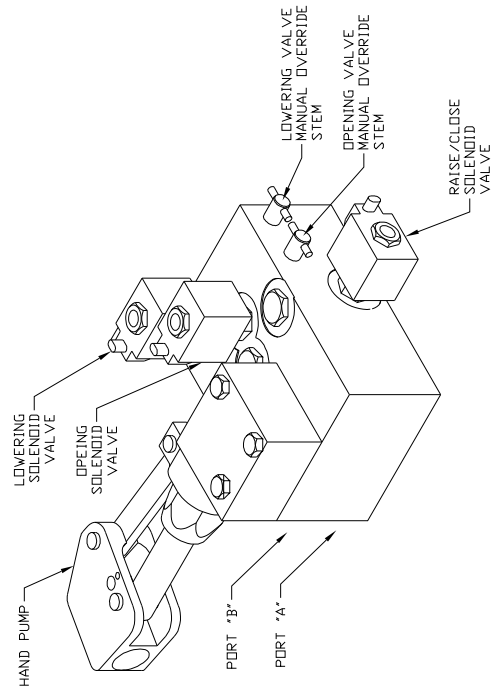
Chapter 4

Liftgate Installation

SINGLE PUMP WITH HAND PUMP HYDRAULIC SCHEMATIC



HYDRAULIC ENCLOSURE

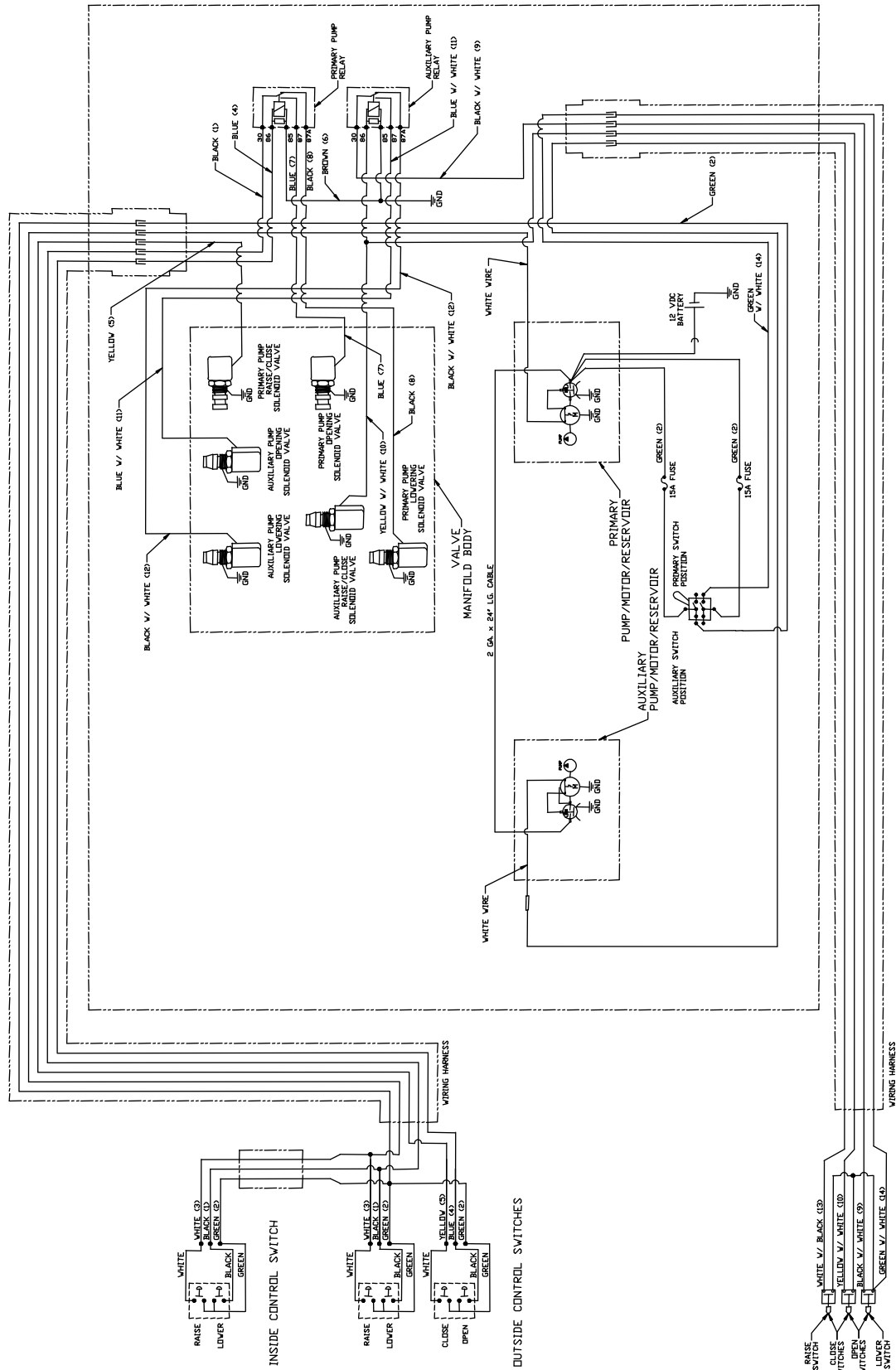


VALVE MANIFOLD BODY

Chapter 4

Liftgate Installation

DUAL PUMP ELECTRICAL SCHEMATIC

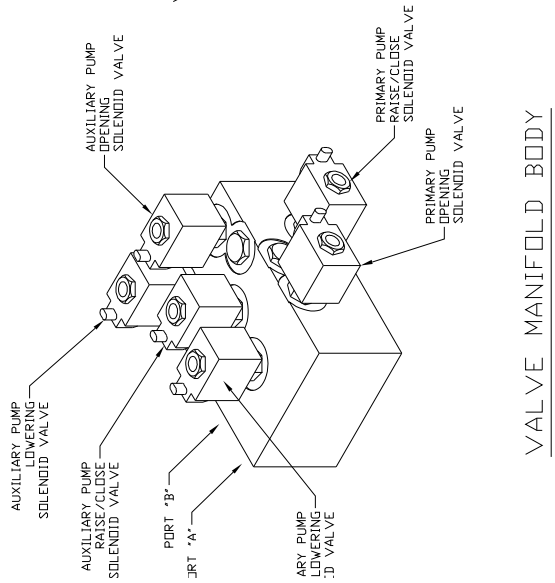
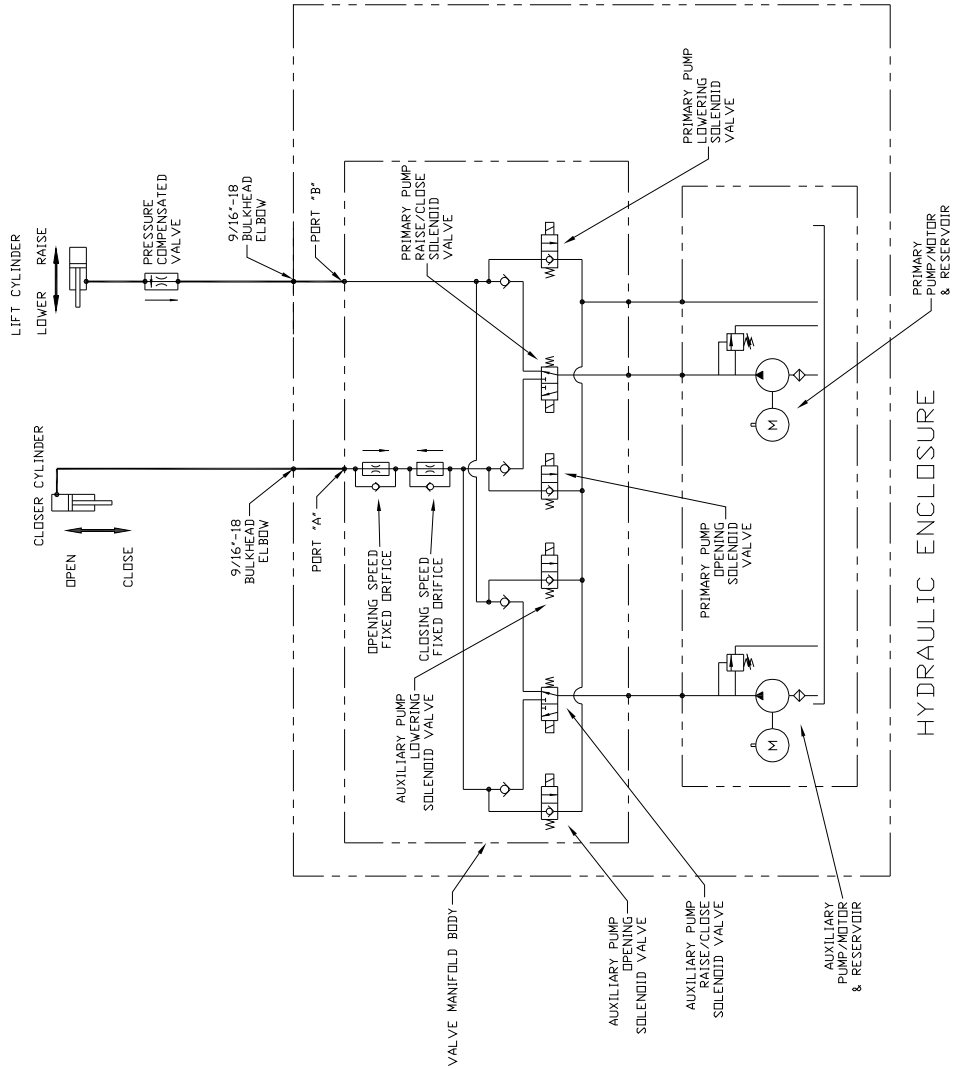


GR02308

Chapter 4

Liftgate Installation

DUAL PUMP HYDRAULIC SCHEMATIC



GR02309

Chapter 4

Liftgate Installation

INSTALLATION OF POWER CABLE

Locate and mount 150 Amp circuit breaker directly to batteries using copper terminal link supplied.

Circuit breaker must be mounted to give good protection against any objects coming into contact with circuit breaker terminals and causing a short. Position must also be readily accessible to reset breaker.

NOTICE:

Circuit Breaker is to rest solidly on battery to prevent vibration during transit.

If unable to connect circuit breaker direct to batteries, an optional 24", maximum length, 2 Ga. battery cable may be used.

Connect end of battery cable from liftgate to Terminal Link attached to circuit breaker.

Apply a generous amount of Dielectric Grease to all Battery terminals and Circuit Breaker terminals.

Secure all battery cables to chassis frame with cable ties provided.

NOTICE:

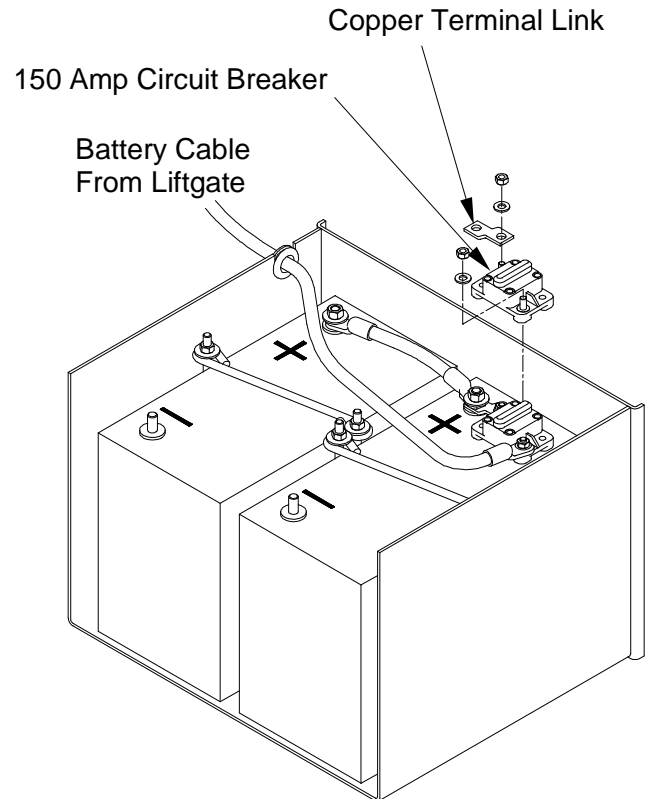
Original equipment ground cable furnished on vehicle should be at least a number 2 ga. to insure proper operation of pump unit. An auxiliary ground cable should be added between engine block and chassis frame if engine is not adequately grounded to chassis frame. When there are two or more batteries, all cables connecting batteries together must be 2 ga. or heavier. This includes all original equipment batteries on vehicle.



Protect wires from any sharp edges or holes that may abrade insulated covering of wires.



Secure battery cable so it does not come near, or in contact with, other vehicle wiring, fuel lines, brake lines, air hoses, exhaust system, etc.



GR00080

Chapter 4

Liftgate Installation

CONNECTING HYDRAULIC LINES TO LIFTGATE

Charge (fill) hoses with hydraulic fluid.

Lift Cylinder Hose:

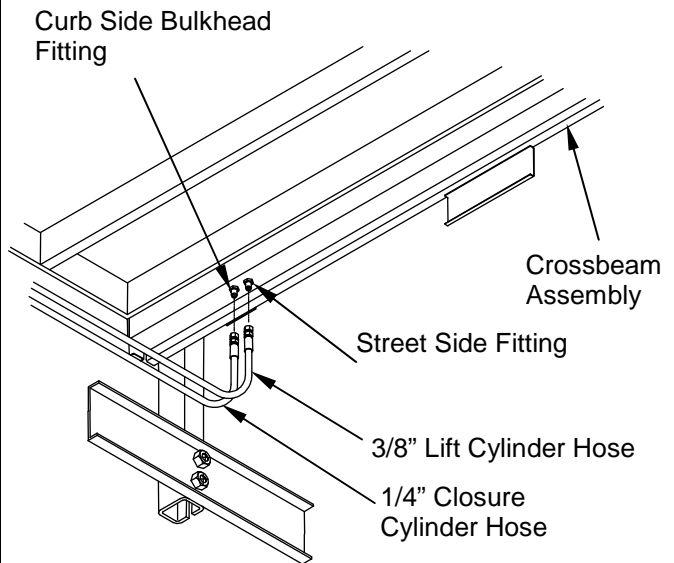
- Use a container to catch flow of oil from 3/8" Lift Cylinder Hose. Push raise switch to activate pump. Hold switch until there is a clear, air free, stream of oil from hose.
- Connect hose to inboard (street side) fitting under the Crossbeam Assembly.

Closer Cylinder Hose:

- Use a container to catch flow of oil from 1/4" Closer Cylinder Hose. Push and hold the close switch, then push the raise switch to activate pump. Hold switches until there is a clear, air free, stream of oil from hose.
- Connect hose to outboard (curbside) fitting.

NOTE:

Clamp hoses at regular intervals to prevent chafing due to road vibration.



GR02384

REMOVE SHIPPING STANDS

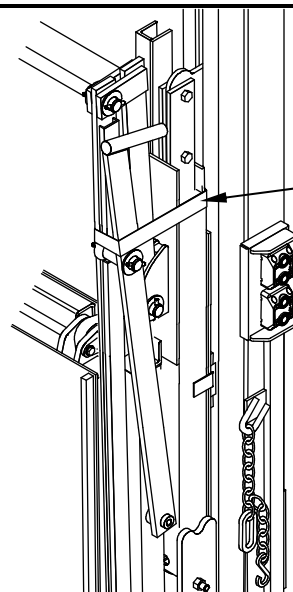
Verify hydraulic hoses are properly connected.



Do not allow anyone to stand in, or near area in which platform may open and/or lower.

Pressurize lift and closer cylinders.

- Push raise switch for several seconds, pressurizing lift cylinder.
- Push and hold closer switch, then push raise switch for several seconds, pressurizing closer cylinder.



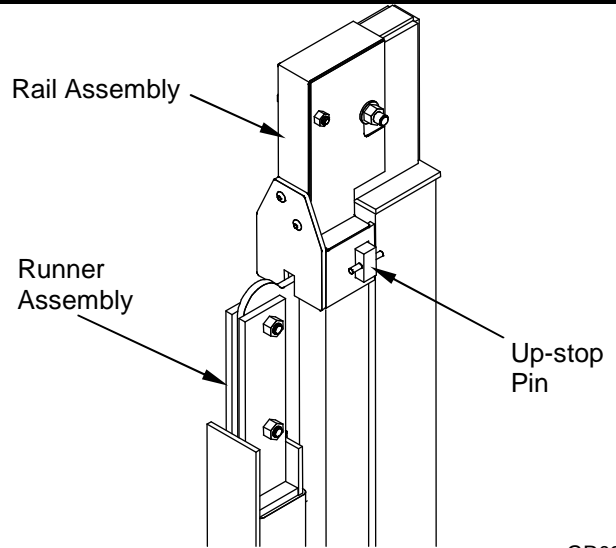
After powering Liftgate fully closed - cut strapping and remove from both sides

GR02461

Chapter 4

Liftgate Installation

Raise Runners until they contact Up-stop Pins at top of Rail Assemblies.

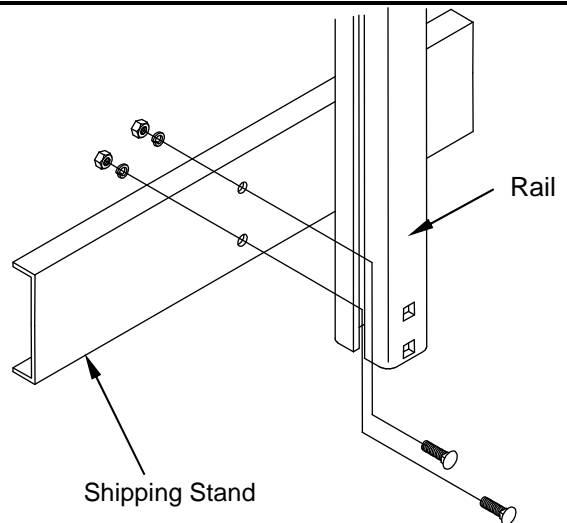


GR02462

With Runners raised and contacting Up-stop Pin, remove shipping stands by unbolting them.

NOTICE:

When mounting RGL-50 and RGL-60 liftgates on bed heights greater than 53", DO NOT lower Platform before installing Rail Extensions (Refer to "Installation of Rail Extensions" chapter).



GR02463



Do not allow anyone to stand in, or near area in which platform will open and lower.

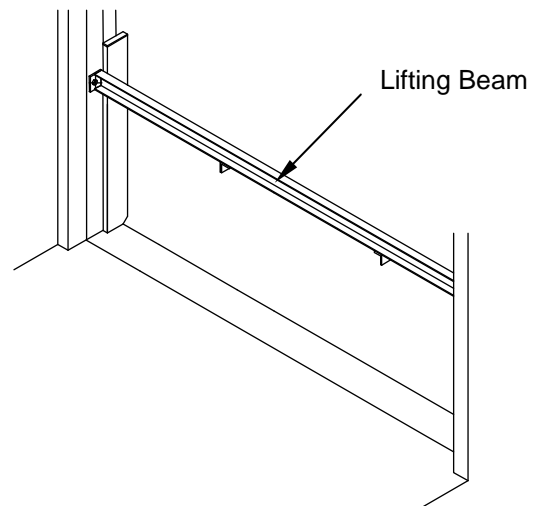
Push Open and Lowering Switches to open platform.

Push Lower Switch to lower platform to ground.

Remove Lifting Beam by unbolting.

NOTICE:

Be careful not to damage Lifting Beam as it may be used to make Rail Braces.



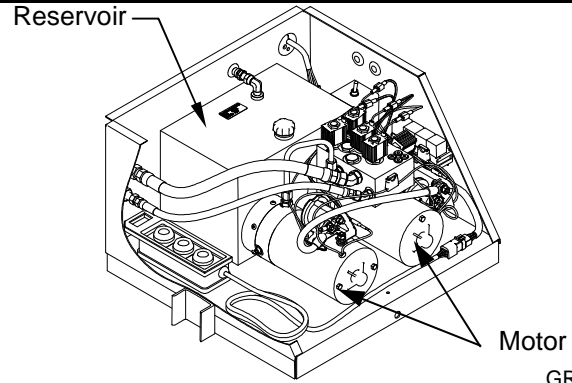
GR02464

Chapter 4

Liftgate Installation

FILLING HYDRAULIC RESERVOIR

Fill reservoir to within 1/2" of the top:



GR02135

Recommended Fluids

Temperature Range	Acceptable Fluids
0° to 120° F	Waltco Biodegradable Liftlube™ part #85803860
	Shell Tellus S2 V 32
	Chevron Rando HDZ 32
-20° to 90° F	Waltco Biodegradable LiftLube Arctic part #85803866
	Waltco All Season Hyd Oil Part 85803867
	Shell Tellus S2 V 15
	Mobil DTE 10 Excell 15

A good quality SAE 10W motor oil may also be used in temperatures above 32° F.

Fill reservoir

- Fill with recommended fluid or equivalent.
- Fill the reservoir to within 1/2" from the top.
- Fluids are available from the Waltco parts Dept. 1-800-411-5685 www.waltco.com

NOTE:

Do not use the following fluids:

- Brake Fluid**
- Power steering fluid**
- Automatic Transmission Fluid (ATF)**

Rev 06

RAIL EXTENSION INSTALLATION

Rail extensions are required on RGL-50 and RGL-60 liftgates when mounted on vehicles with bed height over 53".

Fold liftgate to stored position and attach Latch Chains on both sides of Platform.

Clamp a 4" or 5" wide bar to face of rail. This bar is to help align rail extension with rail.

Position and clamp rail extension under rail. Make sure chamfered end of extension is against bottom of rail and that slots are aligned.

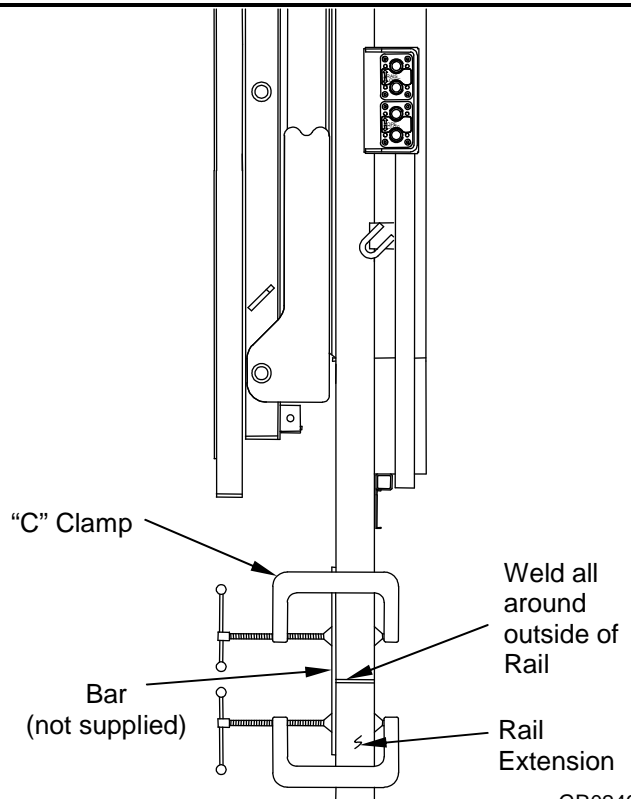
Weld extension to rail on three (3) sides with 1/4" weld 100%.

Remove bar and weld joint on face of rail. Completely fill in chamfer on face of rail then grind smooth.

Repeat above steps for other rail.

NOTE:

Plastic slide bearings on runners must slide smoothly over welded joint.



GR02465

Chapter 4

Liftgate Installation

INCREASING DEPARTURE ANGLE

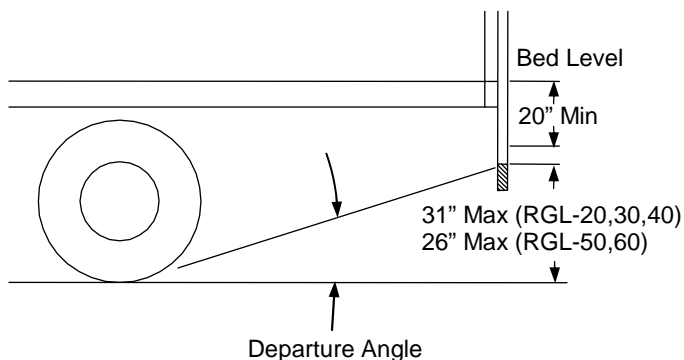
It may be desirable to increase departure angle of vehicle if it has a low bed height, low overhang, or both.

- Raise platform to transit position and attach both safety chains to platform.
- Make sure truck is empty or that bed of vehicle is at the same height as when vehicle is empty.
- Cut rails off.

NOTE:

Never cut Rails off less than 20" below bed level.

Heat resulting from torching or welding on Rails could damage Plastic Slide Bearings. Wait until Rails have cooled before lowering platform.



GR02466

INSTALLATION OF RAIL BRACES

Fabricate and install Rail Braces.

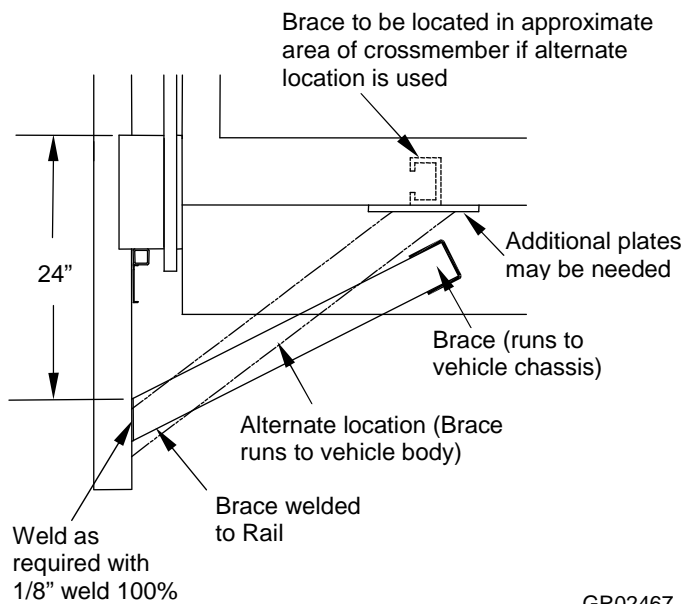
NOTE:

These braces must be installed on RGL-50 and RGL-60 liftgates. It is also recommended that they be installed on RGL-30 and RGL-40 liftgates.

Additional plates may be required to facilitate welding of Brace to vehicle body.

NOTE:

A Rail Brace will not be required if Rails were shortened to increase departure angle and they do not extend more than 24" below bed level.



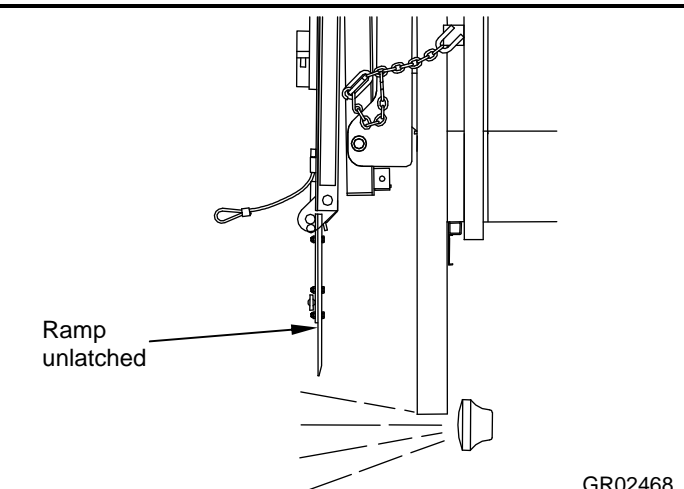
GR02467

FOLDING RAMPS AND TAILLIGHT LOCATIONS

If vehicle has a folding ramp, it is important that taillights be mounted low enough to be visible if Platform is stored away with Ramp unlatched.



Taillights must be installed in accordance with all applicable state and federal DOT regulations. Lights must meet these regulations even with Ramp unlatched and hanging free.



GR02468

Chapter 4

Liftgate Installation

CHECKING OPERATION OF LIFTGATE

Verify that platform brakes have been properly tested. See liftgate Owner's Manual for procedures.

Check that Control Switches operate properly and in proper sequence.

⚠ Do not allow anyone to stand in, or near area in which platform will open and lower.

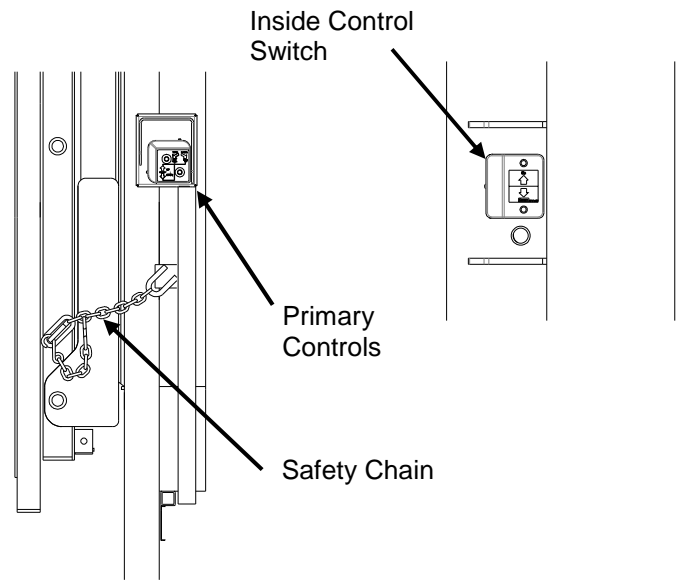
Operate liftgate throughout the following steps. Repeat these procedures several times.

- Open the Platform to loading position
- Lower Platform to ground
- Raise Platform to bed level
- Close Platform to transit position

Check that liftgate operates freely and smoothly throughout the entire operating cycle and that there are no unusual noises or vibrations while operating liftgate.

NOTE:

If you have any questions regarding the operation of the liftgate – contact Waltco.

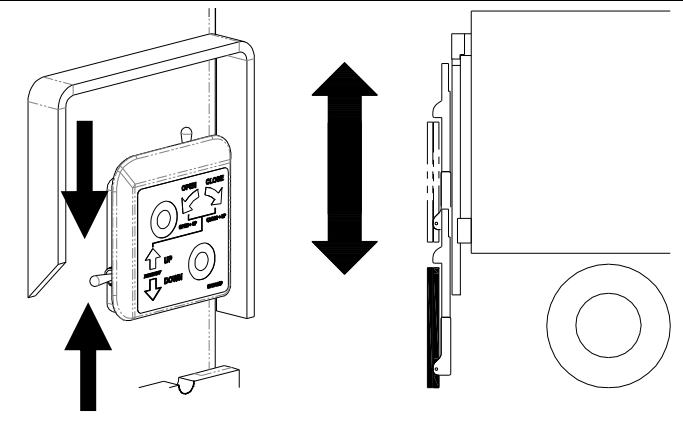


TO RAISE AND LOWER PLATFORM IN DOCK LOADING POSITION

Unhook Safety Chains from Platform

Press DOWN to lower Platform

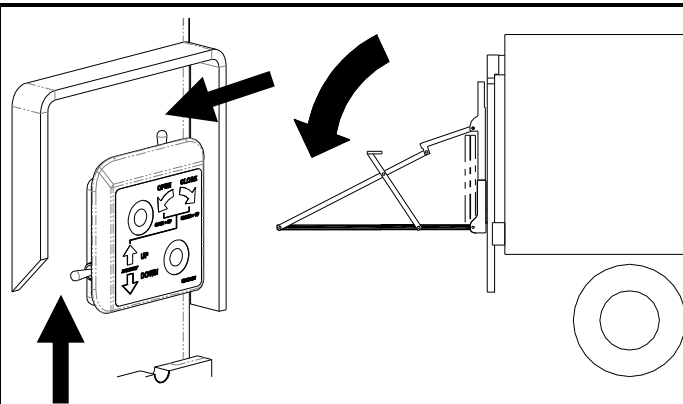
Press UP Switch to raise Platform



TO OPEN PLATFORM TO LOADING POSITION

Unhook Safety Chains from Platform

Push the UP toggle switch and the OPEN toggle switch simultaneously to power open the platform

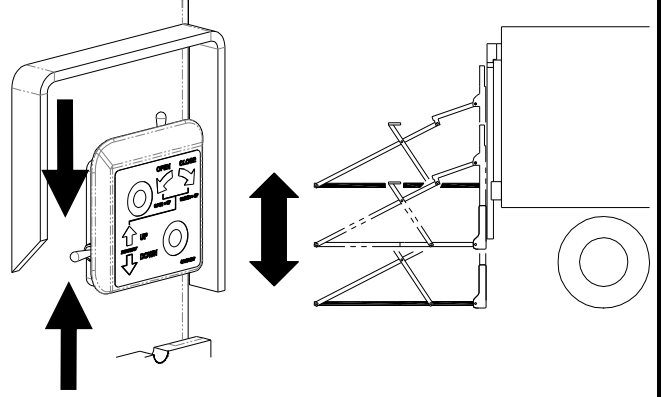


Chapter 4

Liftgate Installation

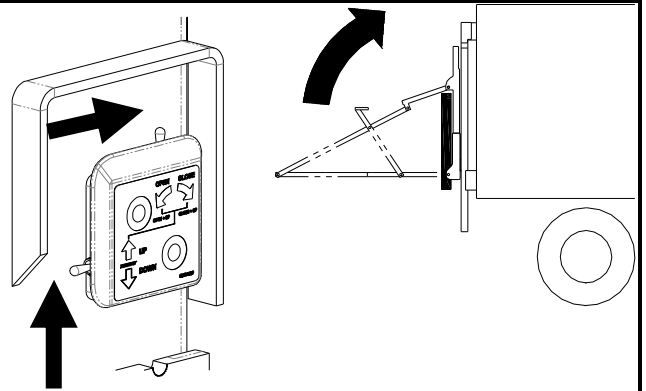
TO RAISE/LOWER PLATFORM IN LOADING POSITION

Press UP Switch to raise Platform
Press DOWN Switch to lower Platform



TO CLOSE PLATFORM TO TRANSIT POSITION

Press UP Switch to raise Platform at least 12" from ground
Push the UP toggle switch and the CLOSE toggle switch simultaneously to power open the platform
Press UP Switch to raise folded Platform
Hook both Latch Chains to Platform



PROPER HOOKING OF SAFETY CHAIN

Properly hook latch chain as shown.



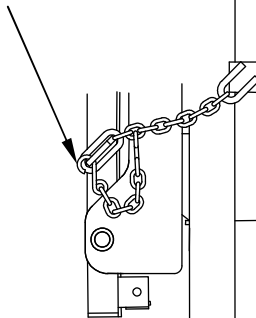
The safety chains provided with your liftgate are an important safety device and should always be in place when liftgate is not in use.



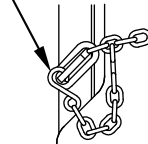
To prevent unauthorized persons from using liftgate, a padlock may be used in place of "S" Hook.

Always use chains on both sides of liftgate when not in use.

Correct hooking of "S" Hook



Incorrect hooking of "S" Hook



Pad Lock

GR02474

Chapter 5

Placement of Decals



All decals must be in place and legible or all warranties are void.

All decals must be in place and legible or all warranties are void.

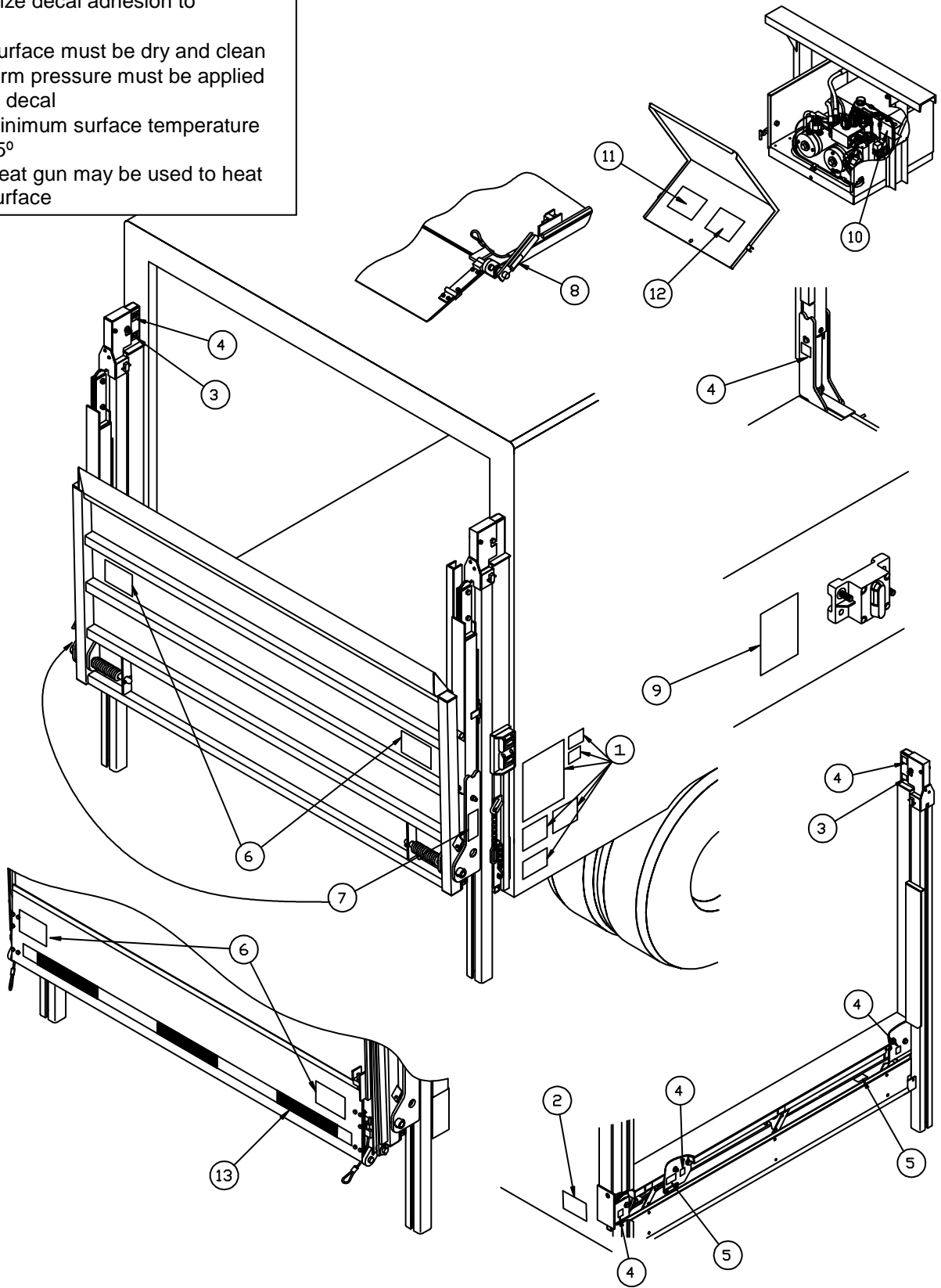
ITEM	DECAL	QTY	PART NO.	LOCATION
1	Safety Instructions	1	80100850	<p>Locate in a conspicuous place near controls.</p> <p> If your liftgate is equipped with dual controls, an additional Safety Instruction decal (80100850) is to be placed in a conspicuous place near the second set of the controls.</p>
	Operation	1	80101669	
	2000 lb Capacity Decal	1	80100253	
	3000 lb Capacity Decal		80100257	
	4000 lb Capacity Decal		80100260	
	5000 lb Capacity Decal		80100263	
	6000 lb Capacity Decal		80100265	
	Circuit Breaker Decal	1	80100828	
	Hazard Decal	1	80101370	
	Caution Stand Clear	1	75089296	
2	Caution Stand Clear	1	75089296	Locate near liftgate on street side of vehicle.
3	Caution Decal	2	75089282	Locate near top of each rail, not on pulley covers themselves, so can be read when removing pulley covers.
4	Important Decal	6	75089280	Locate one each in a conspicuous place near upper and lower pulley bolts, main cylinder bolts, shoe assembly bolts, and upper and lower cylinder bolts.
5	Caution Decal	2	75089282	Locate one on shoe assembly and one on bottom of crossbeam box, under cylinder.
6	Caution Stand Clear	2	75089296	Locate on back (bottom) side of platform or ramp so as to be visible when liftgate is in stored position. Used on liftgates equipped with single section platform or with folding ramp.
7	Safety Chain Decal	2	80100527	Locate at base of both runners.
8	Important Decal	1	80100482	Locate on lower curb side linkage. Used on liftgates equipped with a folding ramp.
9	Warning Decal	1	80100829	Locate next to circuit breaker. If more than one circuit breaker is used; decal must be in both locations.
10	Selector Switch Decal, Single Pump Only	1	80101371	Locate appropriate decal on pump unit selector switch bracket.
	Selector Switch Decal, Dual Pump Only		80101380	
11	Dual Pump Decal	1	80101021	Locate decal inside hydraulic enclosure cover for all dual pumps.
	Hand Pump Decal		80101199	Locate decal inside hydraulic enclosure cover for liftgates with Auxiliary Hand Pump Option.
12	Single Pump Decal	1	80101372	Locate decal inside hydraulic enclosure cover for all single pumps.
	Dual Pump Decal		80101373	Locate decal inside hydraulic enclosure cover for all dual pumps.
13	Conspicuity Tape	1	82021067	Locate on back (bottom) side of platform or ramp so as to be visible when liftgate is in stored position.

Chapter 5

Placement of Decals

To maximize decal adhesion to surfaces:

- Surface must be dry and clean
- Firm pressure must be applied to decal
- Minimum surface temperature 65°
Heat gun may be used to heat surface



GR02475

Chapter 6 Lubrication Instructions

The liftgate should be lubricated every 120 days.

#1 – Grease with automotive type chassis grease with platform resting on ground.

#2 and #3– Oil with WD-40 or equivalent.

#1 Lubricate with chassis grease:

- Under shoe assembly
- Using a rag, lightly lubricate outside faces of rails with light chassis grease if required for smooth operation. Lubricate only areas where bearings slide on rails.



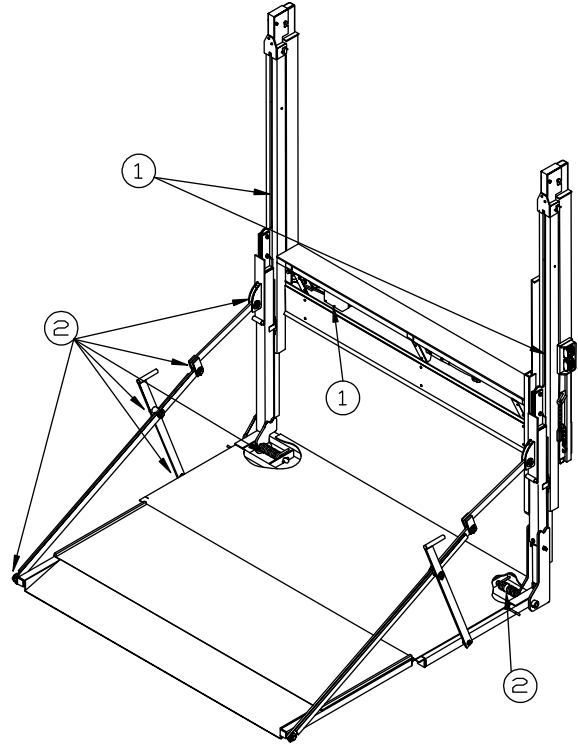
Do not operate liftgate if any guards or access covers are not in place and properly secured.

#2 Lubricate with WD-40 or equivalent:

- Platform Linkage which includes Torsion Bar Anchors, and Springs on one-piece platforms.

NOTE:

Take care not to nick or scratch exposed cylinder shaft as this could cause cylinder leakage.



GR02476

#3 With Platform at bed level, use WD-40 or equivalent to lubricate two areas of both Platform Brake Mechanisms.

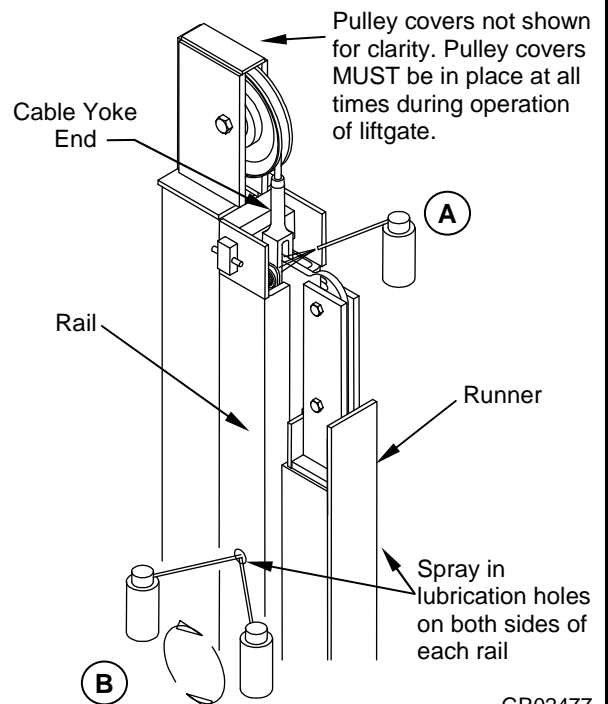
- A. Spray inside Lifting Cable Yoke end where it attaches to Runner Assembly.
- B. Spray generously with a circular motion inside lubrication holes on both sides of each rail.



Use only WD-40 or equivalent light spray lubricant to lubricate Platform Brakes. DO NOT use grease or heavy oil that may tend to build up and become gummy.

NOTE:

Cables, Roller Bearings, and Pulley Bearings do not require lubrication. While cables do not require lubrication, if cables have ever been lubricated it is recommend they continue to be lubricated.



GR02477

Chapter 7 FINAL INSPECTION SHEET



All of the following are to be checked and verified before installation is complete.

- () 1. Vehicle side walls are strong enough to support lifting forces.
- () 2. Platform is level and even with vehicle bed.
- () 3. All welds are done properly.
- () 4. Pivot pins in the Side Linkage securely retained with coiled pins.
- () 5. Upstop Pins secured with coiled pins.
- () 6. Crossbeam Box properly welded to rear sill.
- () 7. Controls operate properly.
- () 8. All fasteners are in place and tight.
- () 9. Pump Reservoir full of oil.
- () 10. No hydraulic leaks.
- () 11. Platform opens and closes properly and Platform Extension is snug against Platform when liftgate is in transit position.
- () 12. Entire length of both Lifting Cables are tight, properly installed, and not kinked or damaged.
- () 13. Hinge Pins between Platform and Deck Extension retained with bolts and bolts tight.
- () 14. Battery cable attached and clamped tight.
- () 15. 150 Amp circuit breaker installed at battery.
- () 16. All electrical connections coated with dielectric grease.
- () 17. All parts properly lubricated according to the lubrication instructions.

- () 18. All guards and covers in place and properly secure.
- () 19. Following nuts and bolts tightened properly.
 - Two (2) main cylinder bolts.
 - Two (2) closer cylinder bolts.
 - Five (5) pulley bolts.
 - Three (3) cable anchor bolts.
 - Two (2) nuts on adjustable cable.
 - Two (2) pulley cover guard bolts.
 - Three (6) access door screws.
- () 20. Platform Brakes have been properly tested.
- () 21. License plate properly installed.
- () 22. Lights installed and properly operating. Reflectors re-installed if necessary.



Lights must be installed in accordance with all applicable state and federal D.O.T. regulations

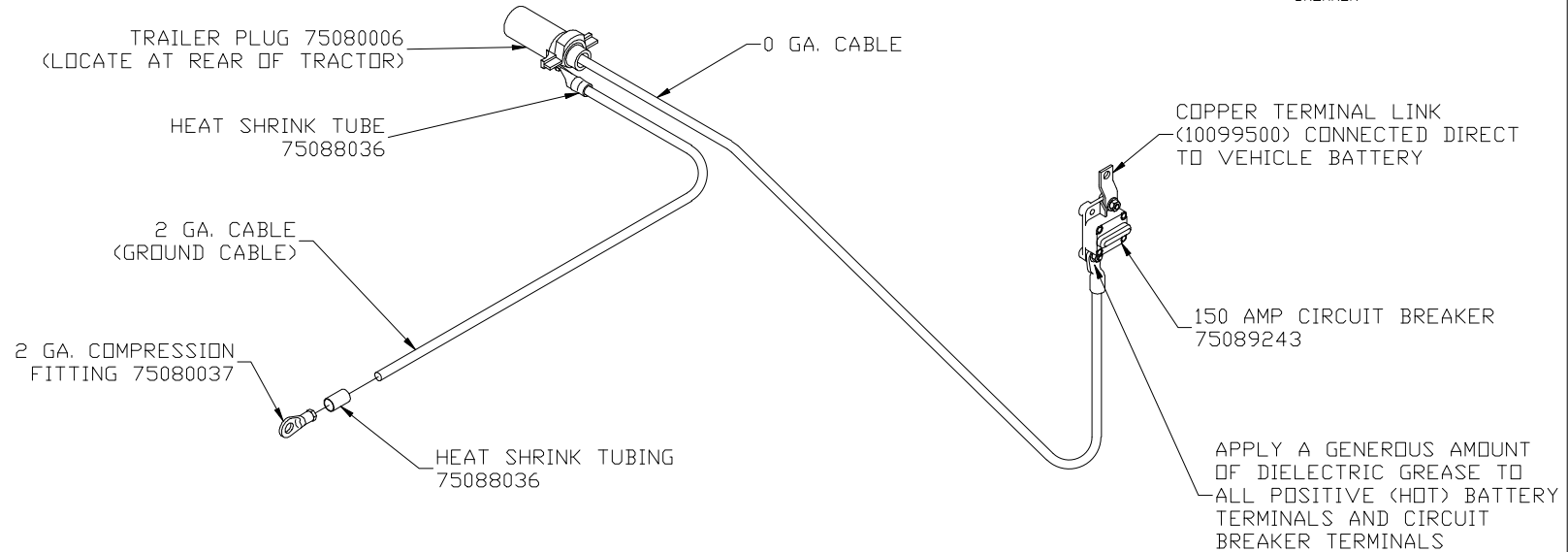
- () 23. Safety chains in place and function properly.
- () 24. All decals properly in place and legible according to the decal placement drawings.
- () 25. Liftgate has been operated through its entire cycle several times and checked for smooth and even operation throughout entire operating cycle with no unusual noise or vibration.
- () 26. Owner's manual in the vehicle.



Do not use liftgate if any of the above are not checked and verified.

If you have any questions regarding this liftgate, or installation, contact Waltco.

E.D. No.	DATE	#	CHANGE	BY	CHK'D
4547	9-14-2001	05	REDRAWN IN AUTOCAD; CHANGED POSITION AND HOOKUP OF CIRCUIT BREAKER	MK	



INSTRUCTIONS:

THE PURPOSE OF THIS KIT IS TO RUN THE LIFTGATE OFF OF THE TRACTOR BATTERIES.

1. LOCATE CIRCUIT BREAKER DIRECTLY ON VEHICLE BATTERY USING COPPER TERMINAL LINK (10099500). NOTE: IF UNABLE TO CONNECT CIRCUIT BREAKER DIRECT TO BATTERY, USE AN OPTIONAL 24" MAXIMUM LENGTH BATTERY CABLE TO CONNECT CIRCUIT BREAKER TO VEHICLE BATTERIES.
2. CUT CABLES TO LENGTH, INSTALL COMPRESSION TERMINALS, AND APPLY HEAT TO HEAT SHRINK TUBING SUPPLIED WITH KIT (SEE DRAWING 80100823).

IMPORTANT:

NEVER SECURE BATTERY CABLE IN SUCH A WAY THAT IT COMES INTO CONTACT WITH OTHER WIRING, FUEL LINES, BRAKE LINES, AIR HOSES, OR EXHAUST SYSTEM,...ETC.

NOTES - UNLESS OTHERWISE INDICATED

THIS DRAWING IS USED FOR POWER KIT NUMBER 80000618

PART NO.	QTY.	DESCRIPTION	MATERIAL & SPEC.
<small>This drawing is a confidential disclosure and is loaned subject to recall at any time and with the understanding that it will not be used in any way detrimental to the interests of WALTCD EQUIPMENT COMPANY.</small>			
		<small>285 NORTHEAST AVENUE TALLMADE, OH 44278</small>	
		<small>267 E. COWTON BLVD. GARDENA, CA 90248</small>	
INSTALLATION OF TRACTOR WIRING KIT			
<small>Tolerances Unless Otherwise Indicated ± .000 Fractions ± .000 ± .005 Angular ± 1/2°</small>			
DO NOT SCALE DRAWING	DRAWN BY MK	DATE 17-17-01	SCALE 1 -
PAGE 1 OF 1		PART NO. 80100822	

BATTERY KIT INSTALLATIONS

80101387

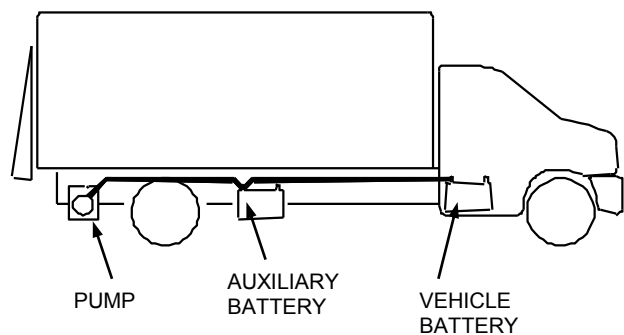
DETERMINE BATTERY AND PUMP LOCATION, AND CABLE ROUTING

Determine where pump unit and battery box will be located. Make certain hydraulic hoses supplied will reach pump.

Your installation may use only one cable supplied with liftgate, or, it may also use a cable supplied with the trailer kit.

Truck with auxiliary batteries:

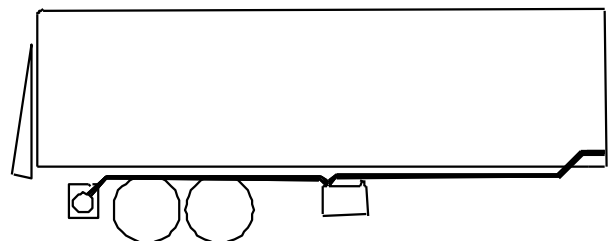
Cable supplied with liftgate will be cut into two lengths to reach from pump to auxiliary batteries and to vehicle batteries.



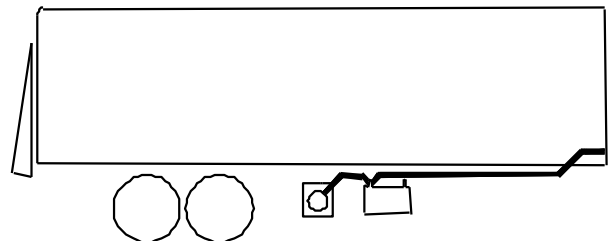
Trailer with auxiliary batteries:

Use cable supplied with liftgate from pump to auxiliary batteries.

Use cable supplied with trailer kit from auxiliary batteries to nose of trailer.



Note: Auxiliary batteries on trailers are to be mounted "mid-ship" on the trailer.



GR01389

BATTERY KIT INSTALLATIONS

80101387

BATTERY AND PUMP BOX INSTALLATION

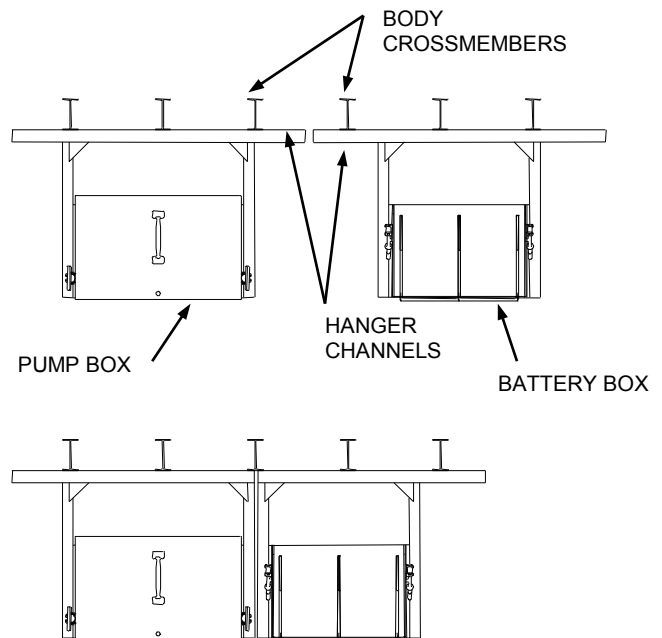
Locate battery box and pump box in a suitable location under the vehicle body (refer to previous page.)

Weld hanger channels to body crossmembers.

Hint:

To save space, hanger channels can be cut down and boxes moved closer together as shown.

Install batteries.



GR01390

INSTALLATION OF BATTERY CABLE

Install battery cable supplied with liftgate to the pump starter solenoid.

For trucks:

Route cable to vehicle batteries, cut to desired length.

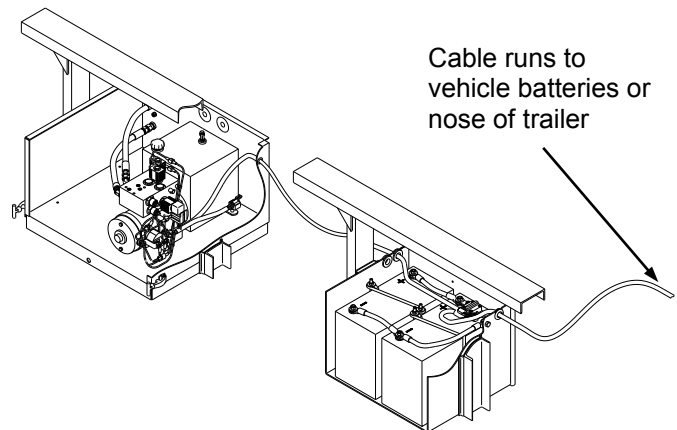
Cut cable to reach auxiliary batteries, and cut remaining piece to reach from auxiliary batteries to vehicle batteries.

For trailers:

Route cable to auxiliary batteries, cut to desired length.

Use cable supplied with trailer kit and route from auxiliary batteries to nose of trailer.

NOTE: Do not connect cables to any batteries at this time.



GR01391

BATTERY KIT INSTALLATIONS

80101387

INSTALLATION OF TERMINAL LUG

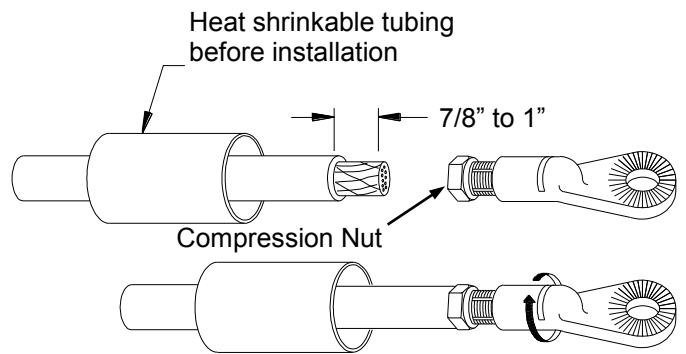
Strip 7/8" to 1" of insulation from end of cable.

Slide heat shrinkable tubing onto cable.

Insert bare wire into compression nut until it seats.

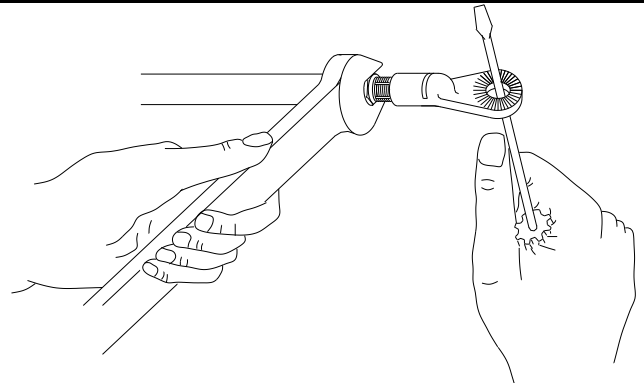
NOTE: Be sure to use correct compression nut, use 2 gauge nut for 2 gauge cable, use 0 gauge nut for 0 gauge cable.

Note: Copper wire should be flush with, or slightly past nut



GR00299

Grip nut with wrench and turn terminal until nut seats



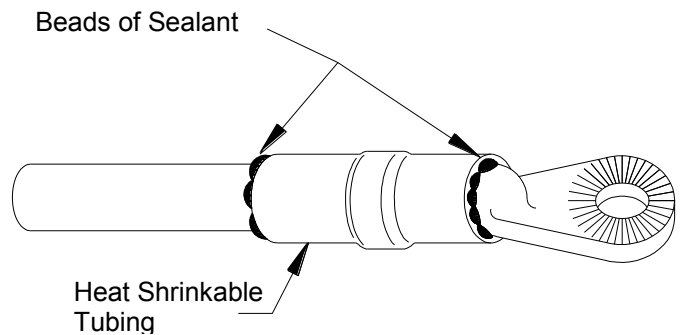
GR00300

Position heat shrinkable tubing over terminal and end of cable

Shrink tubing using electric heat gun or torch.

Note: To reduce chance of damaging tube and cable, a heat gun is recommended

Apply sufficient heat to produce thin bead of sealant all around tube edges



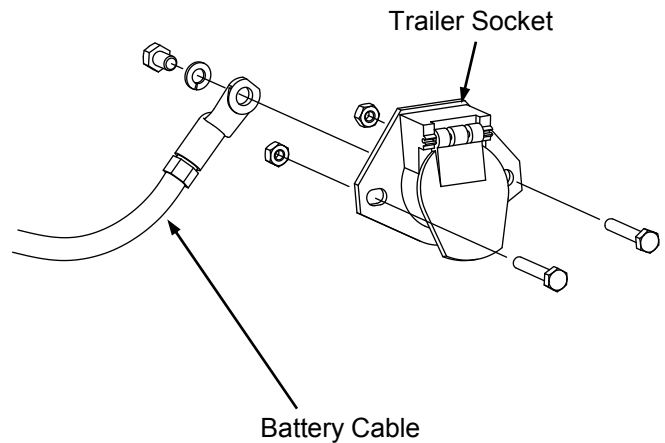
GR00301

BATTERY KIT INSTALLATIONS

80101387

INSTALLATION OF SOCKET

Drill 1-3/4" hole in nose of trailer for trailer socket.
Mount socket to trailer with bolts and nuts provided.
Attach cable to back of socket with bolt provided.
Apply a generous amount of Dielectric Grease over cable terminal.

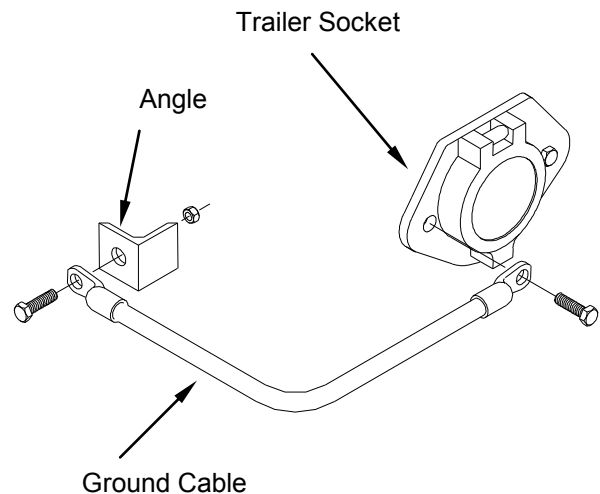


GR02739

Ground trailer socket to main structure of trailer.

Use the 18" ground cable, supplied, and bolt it to the trailer socket and suitable structure on the nose of the trailer.

An angle has been provided, it can be used by welding it to the crash plate, or other suitable structure.



GR01414

INSTALLATION OF CIRCUIT BREAKER(S)

Auxiliary batteries on a truck will require circuit breakers at both the auxiliary batteries and the vehicle batteries.

Locate and mount 150 Amp circuit breaker directly to batteries using copper terminal link supplied.

Circuit breaker must be mounted to give good protection against any objects coming into contact with circuit breaker terminals and causing a short. Position must also be readily accessible to reset breaker.

Note: Circuit Breaker is to rest solidly on battery to prevent vibration during transit.

If unable to connect circuit breaker direct to batteries, an optional 24", maximum length, 2 Ga. battery cable may be used.

Connect end of battery cable from liftgate to Terminal Link attached to circuit breaker.

Apply a generous amount of Dielectric Grease to all Positive (Hot) Battery terminals and Circuit Breaker terminals.

Secure all battery cables to chassis frame with cable ties provided.

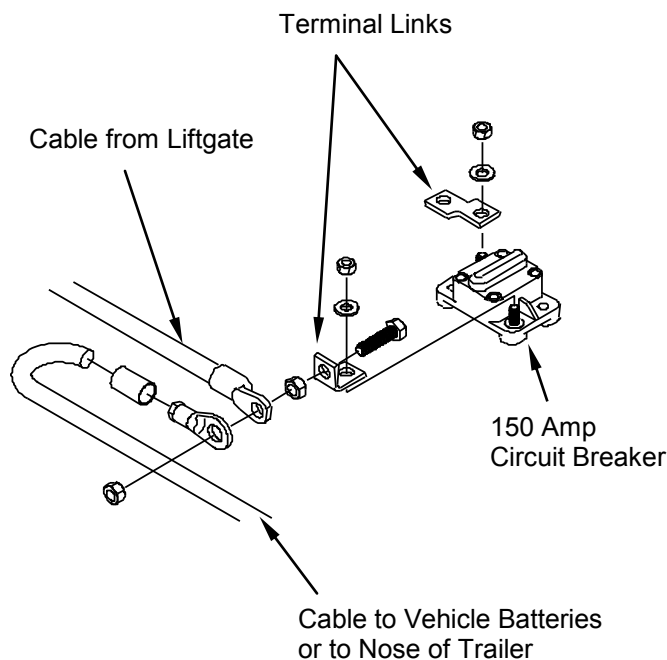
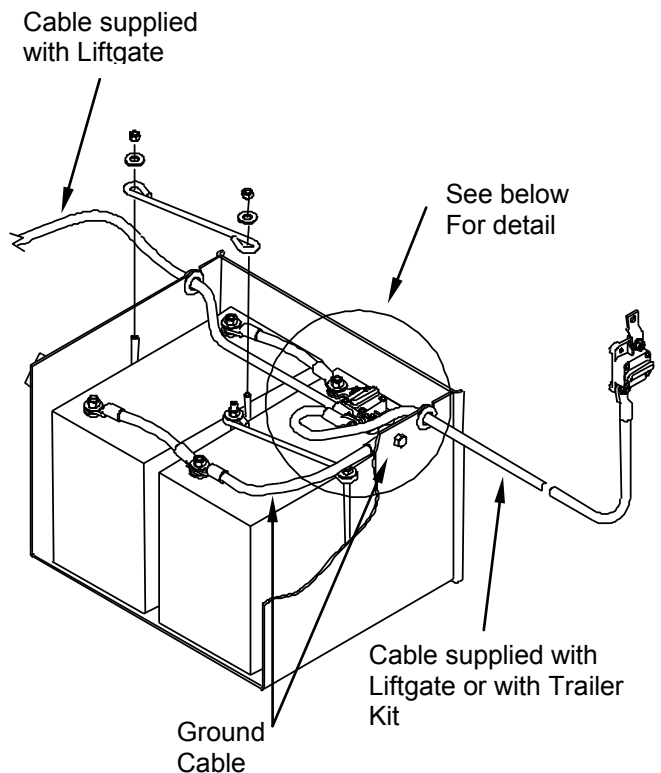
NOTE: Original equipment ground cable furnished on vehicle should be at least a number 2 ga. to insure proper operation of pump unit. An auxiliary ground cable should be added between engine block and chassis frame if engine is not adequately grounded to chassis frame. When there are two or more batteries, all cables connecting batteries together must be 2 ga. or heavier. This includes all original equipment batteries on vehicle.



Protect wires from any sharp edges or holes that may abrade insulated covering of wires.



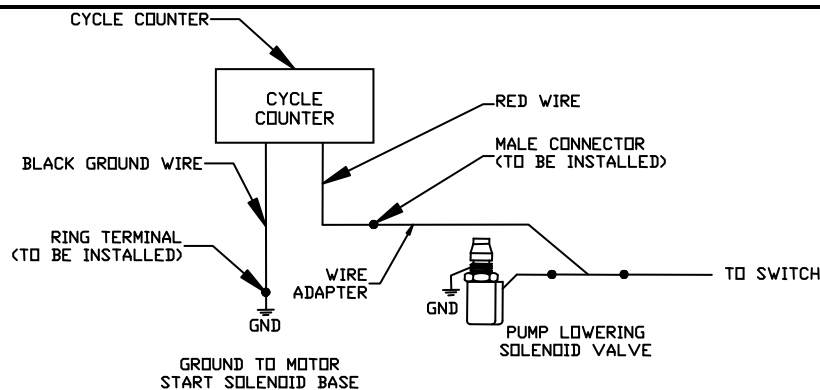
Secure battery cable so it does not come near, or in contact with, other vehicle wiring, fuel lines, brake lines, air hoses, exhaust system, etc.



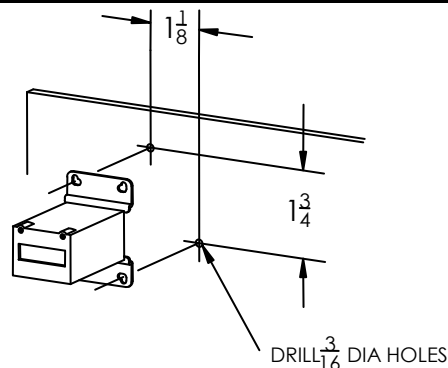
GR01413

Cycle Counter Installation Instructions

- **IMPORTANT!** Disconnect battery power supply.
- Review these instructions before beginning. Locate a position on your liftgate for the cycle counter. Be certain that location will not interfere with liftgate operation and is in a relatively protected area. Refer to diagrams shown for suggested locations.
- Make certain wires will reach connections on pump unit.
- See below for hole size and pattern required for mounting counter.
- Locate and drill two mounting holes as shown. Take necessary precautions to prevent metal shavings from contaminating the hydraulic system.
- Mount cycle counter bracket using two #6-32 screws and lock nuts.
- Install ring terminal to ground wire (black) from cycle counter. Use appropriate size ring.
- Install male connector on to red wire from cycle counter.
- Connect ground wire of cycle counter to ground stud or base of start solenoid.
- Connect red wire from cycle counter to wire adapter, and connect other ends of wire Adapter between lowering valve coil and control switch wire.
- Loosely bundle and wire tie slack wires as needed.
- Re-connect battery power supply and operate liftgate to test.



GR02891

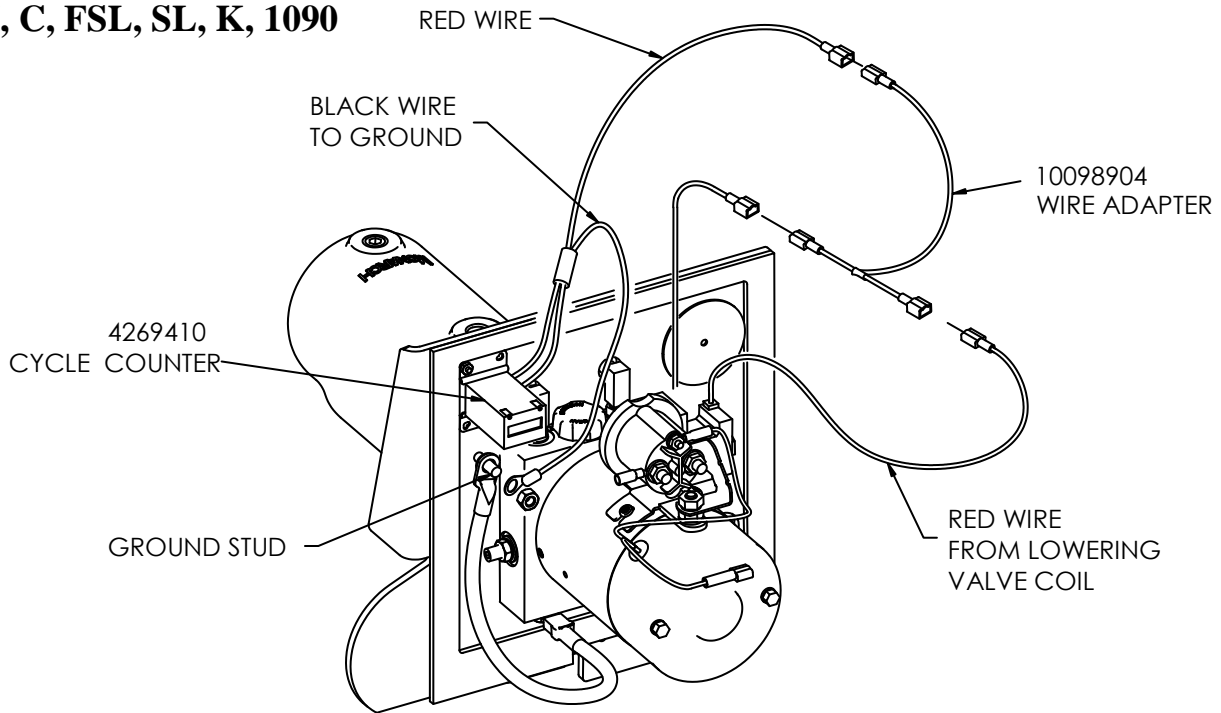


GR02824

Cycle Counter Installation Instructions

Models:

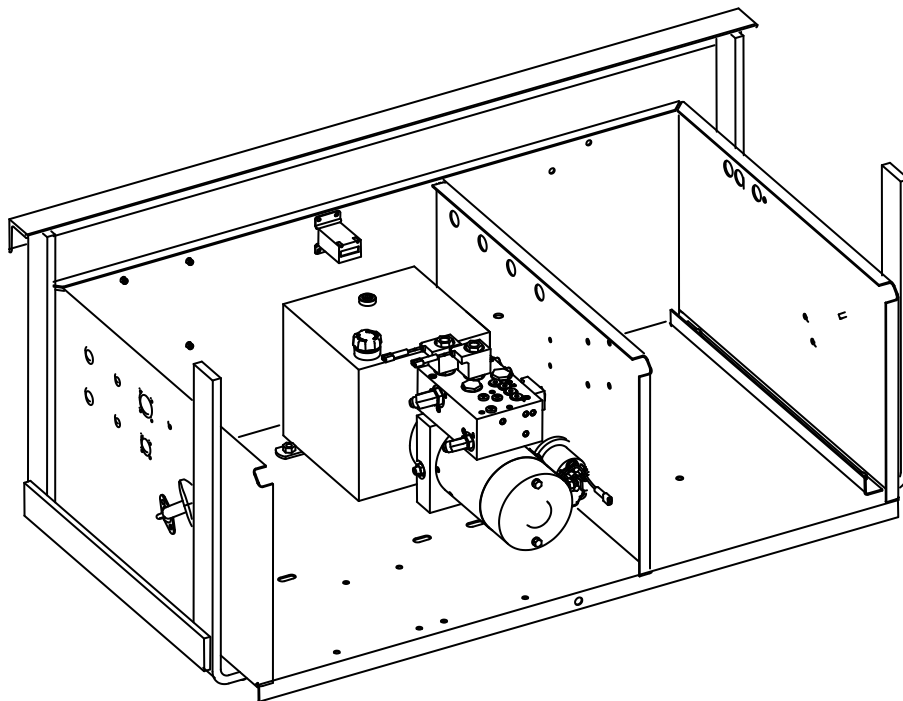
EM, C, FSL, SL, K, 1090



GR02823

Models:

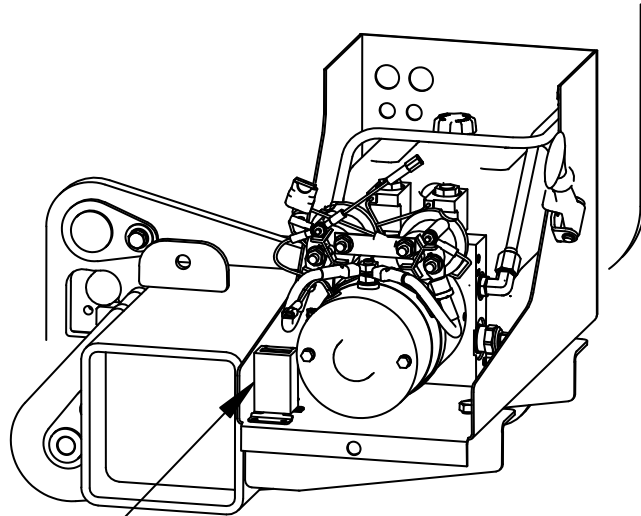
WDV



GR02826

Cycle Counter Installation Instructions

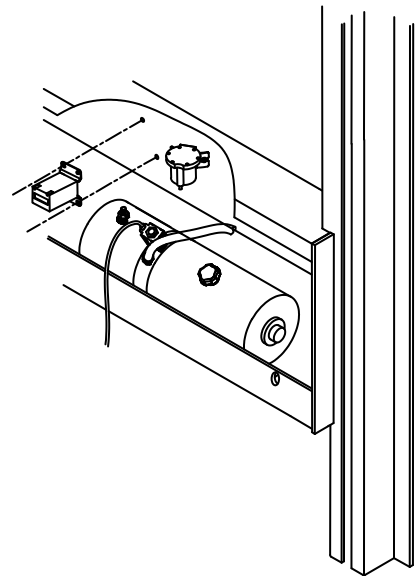
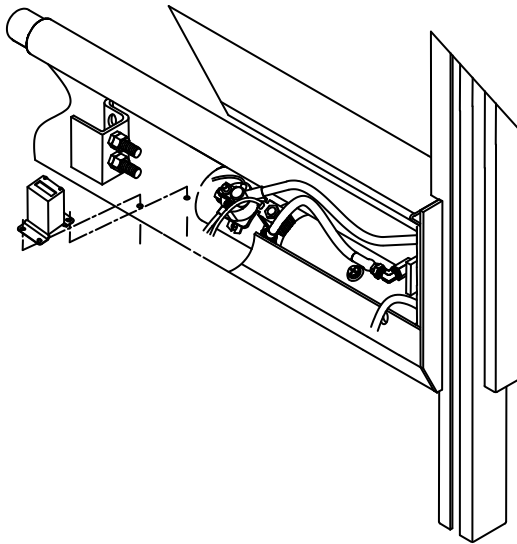
**Models:
HLF**



CYCLE
DO NOT CONTACT
MOTOR

GR02831

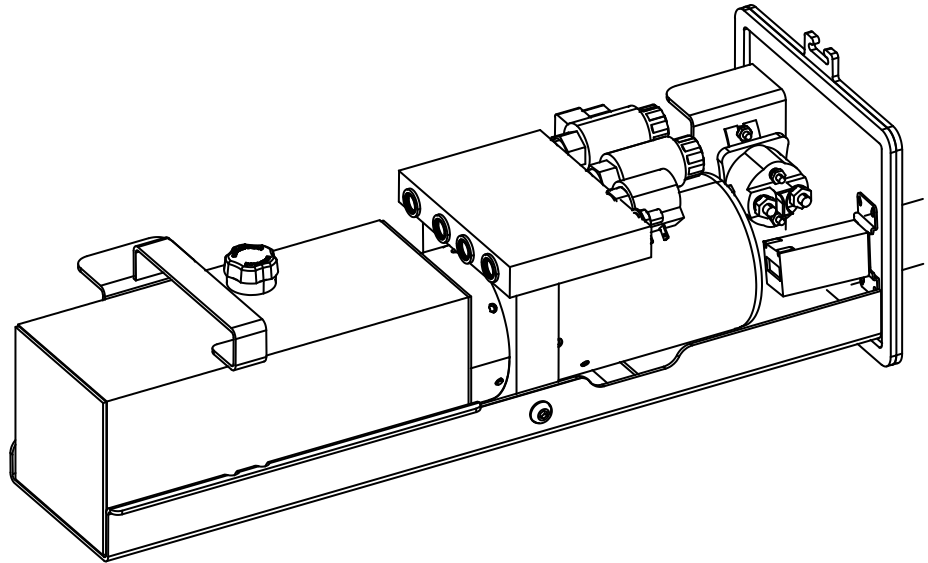
**Models:
MDL, DS, DT, PTBG, PTN,
SB, and ACL**



GR02826

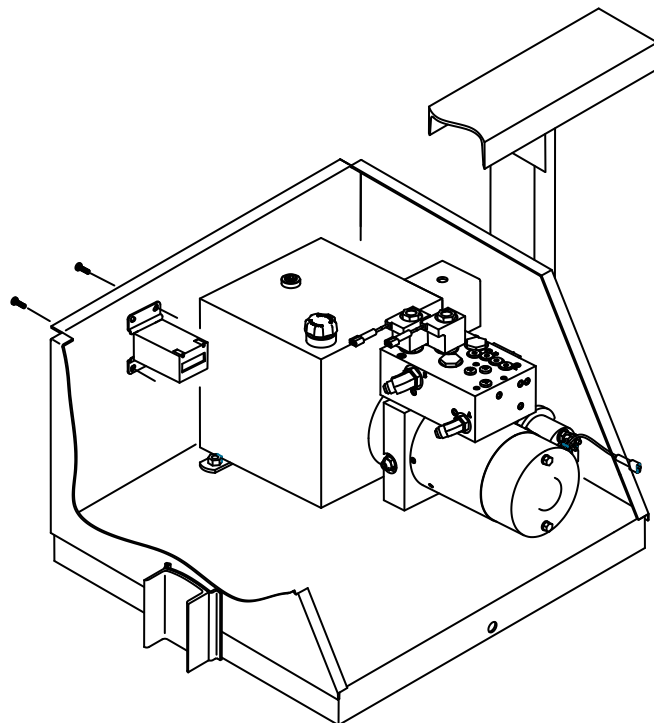
Cycle Counter Installation Instructions

Models:
BZ



GR02826

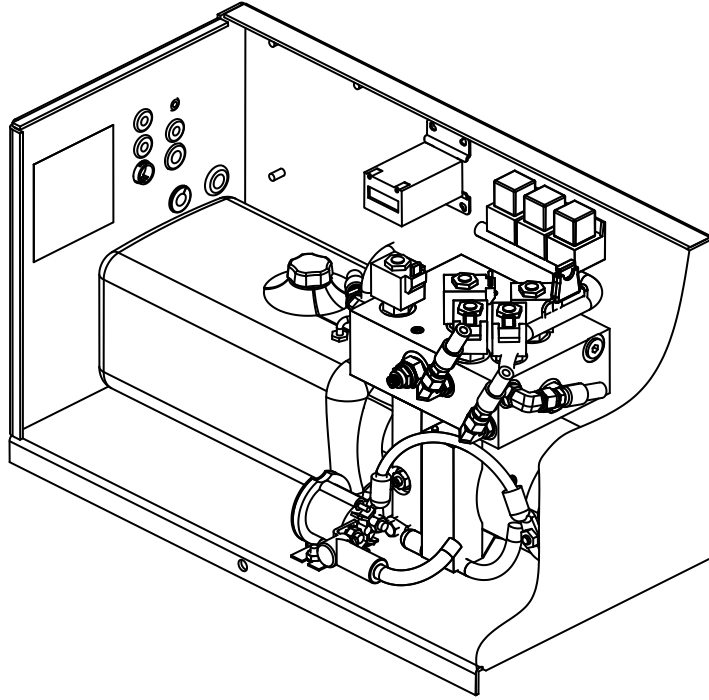
Models:
RGL



GR02826

Cycle Counter Installation Instructions

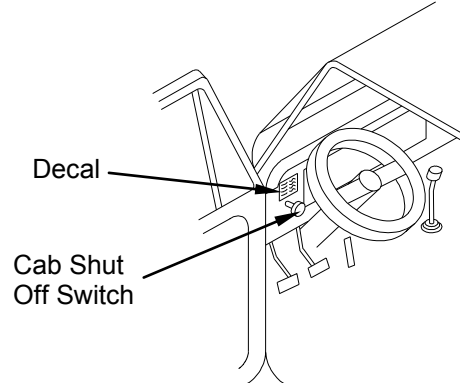
Models:
GT



GR02826

Installation of Cab Shut Off Switch

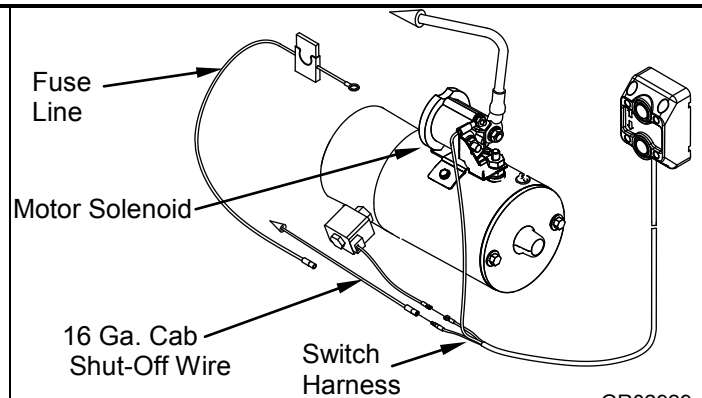
Install cab shut off switch and shut off switch decal in convenient location in vehicle cab.



GR00379

Remove fuse line from motor solenoid. Unplug fuse line from switch harness and save for later installation.

Plug green 16 ga. x 40 ft. cab shut-off wire into switch harness.



GR02929

Run green 16 ga. x 40 ft. cab shut-off wire to cab shut-off switch.

Cut off excess wire and connect to cab shut off switch with supplied #10 ring terminal.

Re-using the fuse line, plug into excess 16 ga. wire.

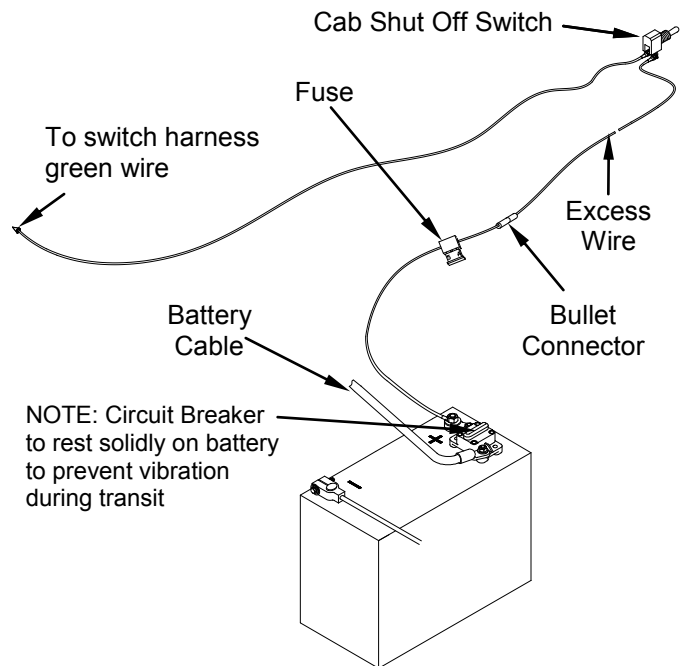
Run excess 16 ga. wire from vehicle battery to cab shut off switch. Fuse end to be toward battery.

Note: Do not connect to battery at this time.

Connect 16 ga. wire to cab shut off switch with supplied #10 ring terminal.

Connect fuse line to battery with attached 3/8" ring terminal.

Important: Heat shrink all connectors.

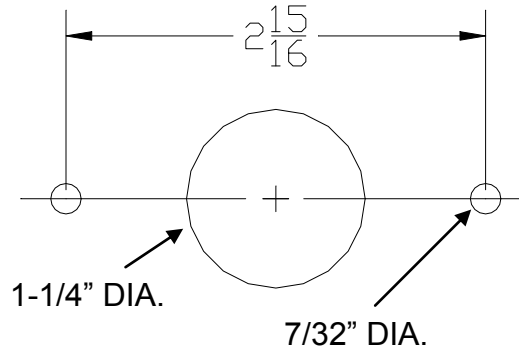


GR00716

Hand Held Remote Installation

DRILL SOCKET HOLES

Using dimension shown, drill mounting holes in desired location for socket.



GR00036

INSTALL SOCKET

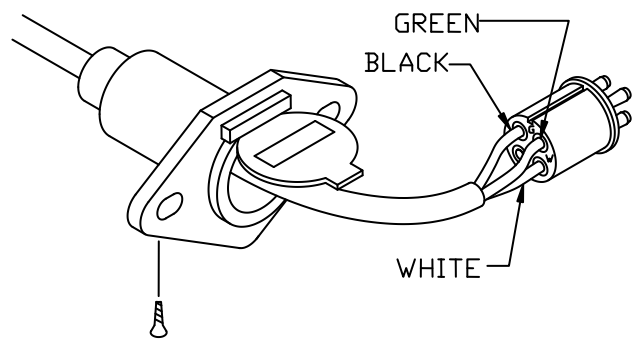
Assemble socket as shown.

Install wires according to colors:

W = White (Raise)

B or BK = Black (Lower)

G = Green (Power)



GR02240

CONNECT WIRES TO PUMP UNIT

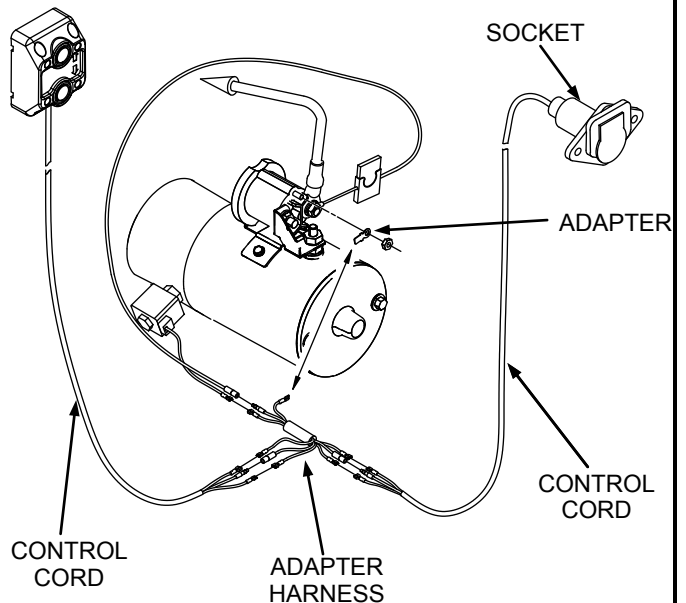
Route Control Cord into pump enclosure.

First connect Pump wires to Dual Control Adapter Harness as shown.

Connect both Control Cords to other ends of Adapter Harness as shown.

Note!

Match wire connections male to female. Color of wire may vary.



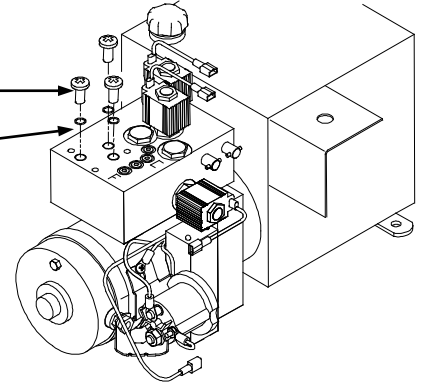
GR02934

HAND PUMP INSTALLATION

Remove three (3) Phillips head screws and O-rings from top of valve block.

Phillips Head
Screws

O-Rings



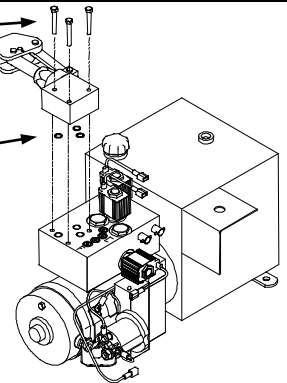
GR01393

Install hand pump with three bolts and new O-rings provided with pump.

Bolts

Hand Pump

O-Rings



GR01394

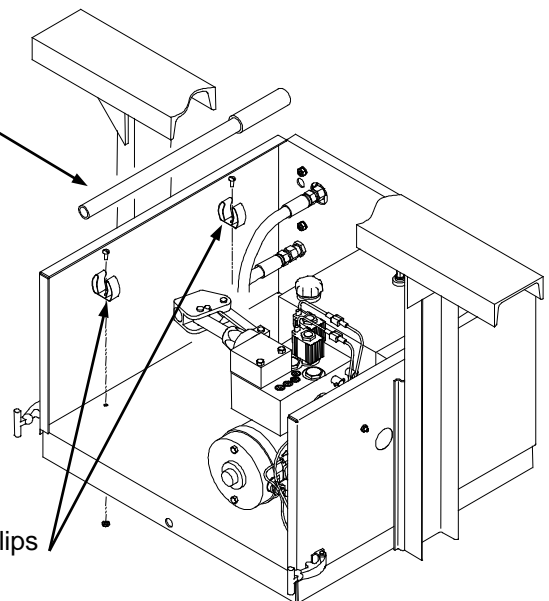
Locate holes for spring clips in enclosure to retain pump handle.

Screw clips into position using screws and nuts provided.

Clip handle in clips for storage.

Handle

Spring Clips



GR01395

EO5389 Rev 01

3/11/05

RGL-SERIES II BOTTOM STOP INSTALLATION INSTRUCTIONS**IMPORTANT**

BOTTOM STOPS CANNOT BE INSTALLED IF RAILS HAVE BEEN SHORTENED FOR GROUND CLEARANCE, REFER TO PAGE 3 FIG. 3.

1. LOWER PLATFORM TO THE GROUND IN THE OPEN POSITION.
2. EXAMINE THE CLOSER CYLINDER MOUNT BOLT (FIG. 1) IN THE RUNNER. IF THE HEAD OF THE BOLT IS ON THE INSIDE OF THE RUNNER, THEN THE BOLT MUST BE REMOVED AND PUT BACK IN WITH THE HEAD ON THE OUTSIDE OF THE RUNNER AS SHOWN IN FIG. 1.
3. REINSTALL THE NUT AND LOCK WASHER AND TIGHTEN THEM DOWN.

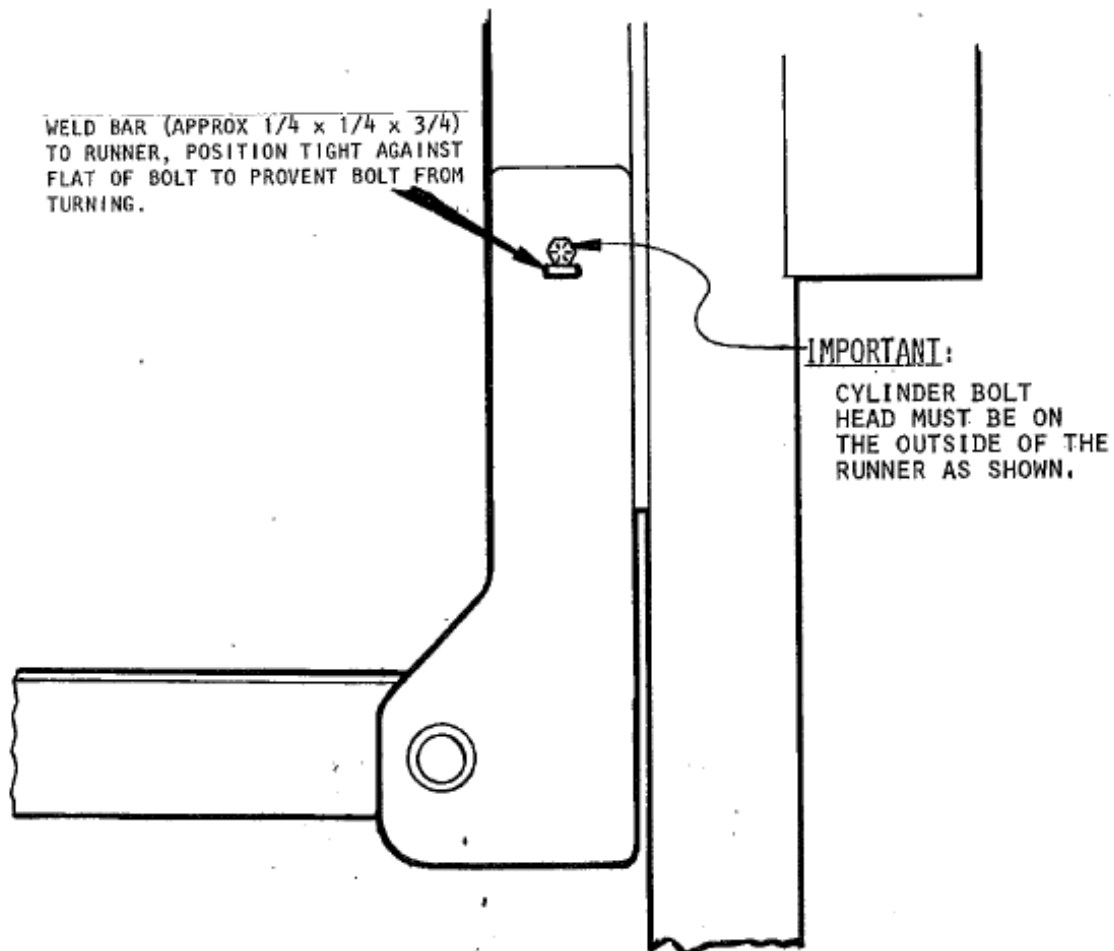


FIG. 1

IMPORTANT:

Installation of Bottom Stops on RGL 50/60 series gates require that Rail Extensions be installed prior to the installation of Bottom Stop Catches.

Refer to Installation Manual for Rail Extension Installation Instructions.

5. CHECK LOCATION OF SAFETY CHAINS, IF NOT THE SAME AS SHOWN BELOW USE A GRINDER (NOT A TORCH) REMOVE THE SAFETY CHAINS FROM THE RAIL. RELOCATE AND WELD THE SAFETY CHAINS TO THE RAILS AS SHOWN IN FIG. 3.
6. LOCATE AND TACK WELD THE BOTTOM STOP CATCH ASSEMBLIES TO BOTH CURB SIDE AND DRIVER'S SIDE RAILS AS SHOWN. BE CERTAIN THAT THEY ARE ORIENTED EXACTLY AS SHOWN IN FIG. 3.

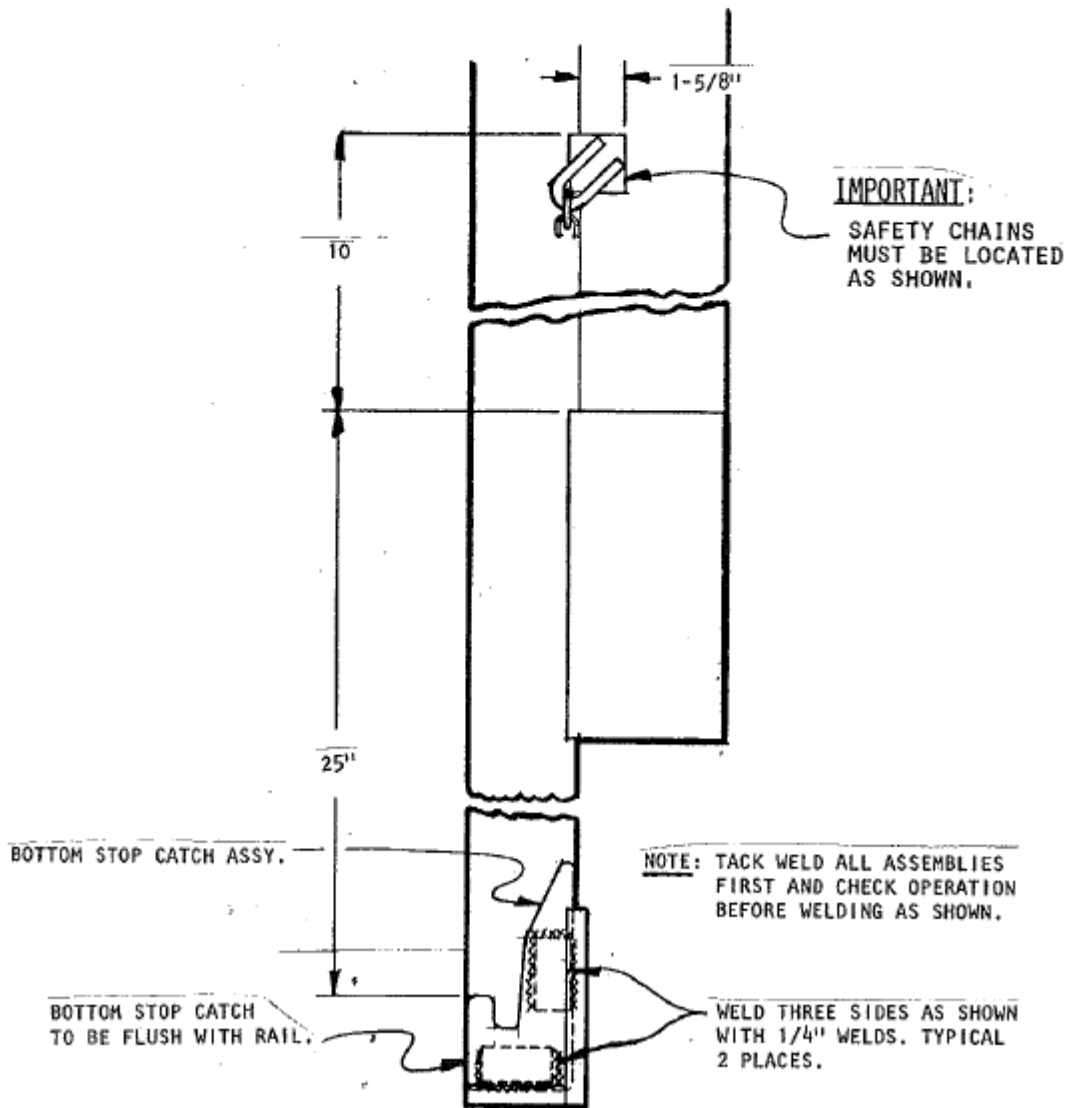
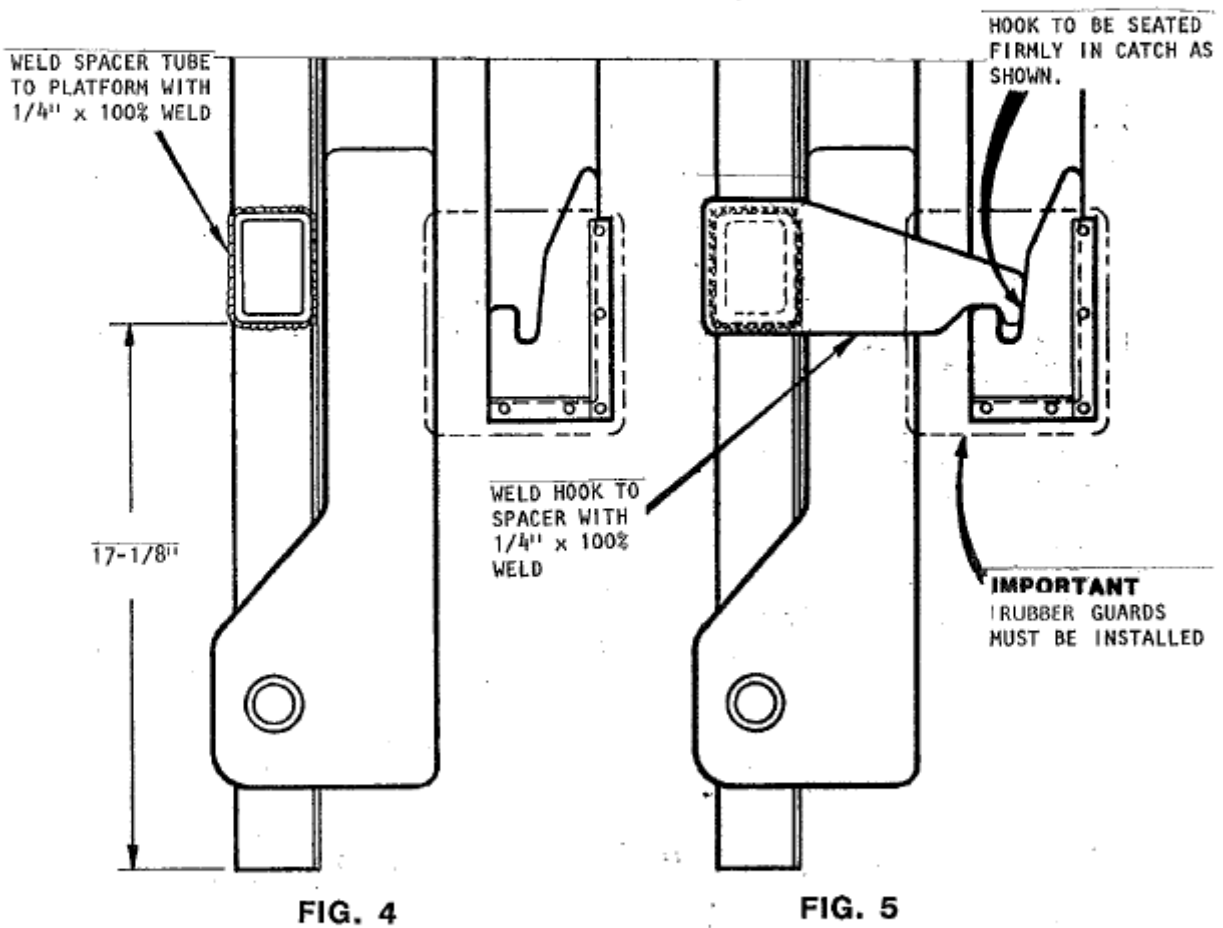


FIG. 3

7. CLOSE PLATFORM AND LOWER IT UNTIL THE END OF THE PLATFORM IS APPROXIMATELY 3/4" BELOW THE BED LEVEL OF THE TRUCK.
8. LOCATE BOTTOM STOP SPACER TUBE AS SHOWN AND TACK WELD IN PLACE (REF FIG. 4)
9. CENTER HOOK OVER TUBE AS SHOWN IN FIG. 5 WELD 1/4" x 100% AS SHOWN.
10. RUN GATE THROUGH ENTIRE OPERATIONS CYCLES TO CHECK THAT THE HOOKS ENGAGE THE CATCHES PROPERLY AS SHOWN IN FIG. 5, AND THAT THERE IS NO INTERFERENCE WITH THE PLATFORM LINKAGE. FINISH WELD BOTH HOOK AND CATCH TO BOTH SIDES OF GATE AS INDICATED IN FIGS. 3, 4 & 5.
11. INSTALL THE RUBBER GUARDS WITH THE DRIVE RIVETS (SUPPLIED) TO THE HOLES IN THE CATCH ASSEMBLY SHOWN IN FIG. 4 & 5. THE GUARDS SHOULD BE ATTACHED SO THAT THE SLIGHT CURVATURE IN THE MATERIAL IS HEADED TOWARDS THE CENTER OF THE GATE AND NOT OUTBOARD.



12. DOUBLE CHECK TO BE CERTAIN THAT THE BOTTOM STOPS ARE WORKING PROPERLY.

REV 03 EO 7085

2/28/2013

Chapter 8 – How To Order Parts

Repairs should be made only by authorized mechanics using WALTCO Replacement parts.

When ordering repair or replacement parts, please include all the information asked for below. If this information is not available, a complete written description or sketch of the required part will help WALTCO identify and deliver the needed part to you.

THE FOLLOWING INFORMATION MUST BE INCLUDED:

1. SERIAL NUMBER - [WALTCO liftgate serial numbers can be found on the Specification Tag attached to the mount frame. (On older units the Specification Tag is located on the side or bottom of the platform.)]
2. MODEL NUMBER - [Or capacity]
3. PLATFORM SIZE

THEN INCLUDE THE FOLLOWING INFORMATION:

4. PART NUMBERS
5. DESCRIPTION
6. QUANTITY REQUIRED

MAIL OR PHONE YOUR REQUEST TO:

OHIO
285 Northeast Avenue
Tallmadge, OH 44278
(330) 633-9191
FAX - (330) 633 1418

CALIFORNIA
227 E. Compton Blvd.
Gardena, CA 90246
(310) 243-6800
FAX – (310) 538-1136

WISCONSIN
701 Blackhawk Dr. Unit A
Burlington WI 53105
(414) 539-3000
FAX - (414) 539-3999

ALL PARTS ARE F.O.B. FROM THE SHIPPING FACTORY

PLEASE NOTE:

To assure you of continuing and effective quality control, our warranty policy permits replacement of hydraulic cylinders, valves and motor pump units when their factory seals are intact. Parts under warranty will be exchanged promptly after careful inspection of the returned assemblies.



Every vehicle that has a WALTCO Liftgate must have legible **WARNING AND OPERATION DECALS** clearly posted on the vehicle and an **OWNER'S MANUAL** in the vehicle at all times as a guide for proper operation and maintenance.

Additional **WARNING DECALS**, **OPERATION DECALS** and **OWNER'S MANUALS** can be obtained from **WALTCO TRUCK EQUIPMENT COMPANY**.

NOTE:

**When ordering, give model
and serial number of the liftgate.**

IMPORTANT

WARNING

Improper operation and maintenance of this liftgate could result in severe personal injury or death.

Read and understand the contents of this manual and all warning and operation decals before operating and/or performing maintenance on this liftgate.

For SAFETY information on this liftgate see Chapter 1 of this manual