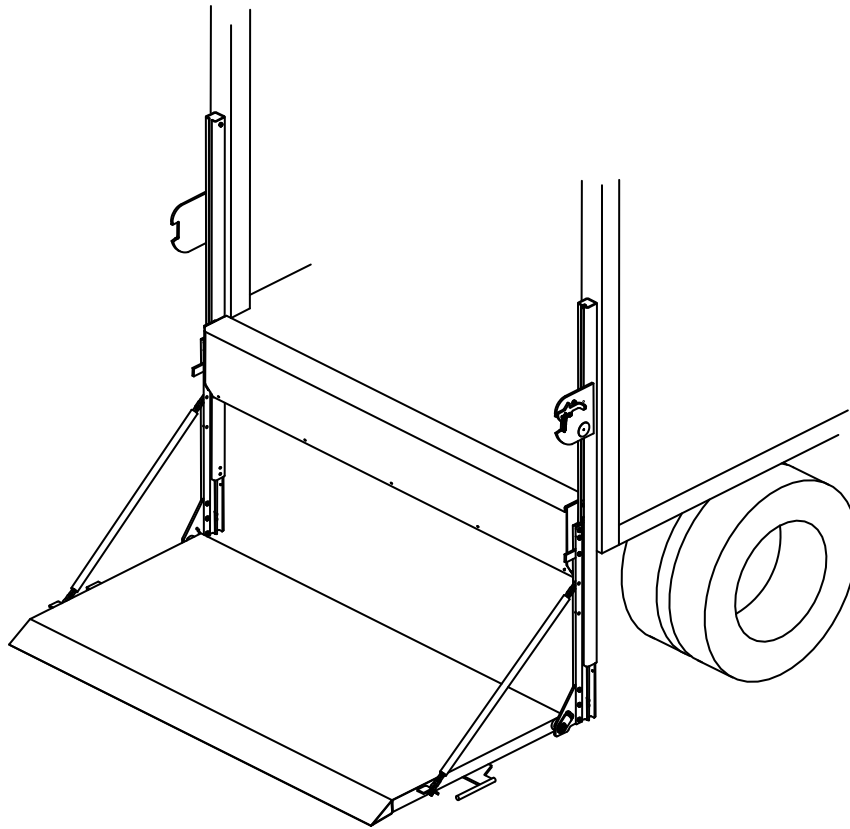


# Owner's Manual

## MDL, DS, DT, SB

1250 lb. - 3000 lb. Capacity Rail Liftgates



GR02909

### Last Change

Date	Page(s)	Description
9-2013	9-14, 15, 19, 22, 23, 25	P9-14 – Expanded operation section, more storage types P15 – Cab shut-off switch now optional P19 – Revised fluid chart P22-23 – Added additional operation decals P25 – Revised schematics

**Waltco Lift Corp.**  
**Corporate Office United States**  
285 Northeast Ave.  
Tallmadge, OH 44278  
P: 330.633.9191  
F: 330.633.1418

**Waltco Lift Corp.**  
**United States**  
620 S Hambledon Ave.  
City of Industry, CA 91744  
P: 626.964.0990  
F: 626.964.0149

**Waltco Lift Inc.**  
**Canada**  
90 North Queen St.  
Etobicoke, ON M8Z 2C5  
P: 888.343.4550

# Table of Contents



**Improper operation and maintenance of this liftgate could result in severe personal injury or death.**

**Read and understand the contents of this manual and all warning and operation decals before operating and/or performing maintenance on this liftgate.**

Introduction .....	3
Safety Information.....	4
Warranty .....	6
Liftgate Terminology .....	7
Operation Instructions.....	9
Preventive Maintenance .....	16
Placement of Decals .....	22
Lubrication Instructions .....	24
Schematics .....	25
How to Order Parts .....	26

# INTRODUCTION

If anyone observes improper installation, improper operation, or damage, they should immediately contact a qualified person for assistance and correction. We strongly urge anyone that has any questions or doubts as to the installation, condition, use, operation, maintenance or repair of the liftgate to contact us at Waltco where we have qualified personnel that will be happy to assist you. Telephone numbers and addresses of these locations are listed in the Owner's Manual and Installation Instructions.

## INSTALLATION

Waltco liftgates should only be installed by those with sufficient basic skills to understand the installation and operation of the liftgate, along with the equipment on which the liftgate is being installed. Waltco's installation instructions are not intended to give rationale for all the instructions that are given; however, it is the intent of these instructions to give the installer both the operations and what we believe to be the most desirable sequence of implementing these operations. These instructions can in no way expand into an area where they will replace a qualified person, or clear thinking and a basic knowledge that must be possessed by the installer.

It has been our experience that a knowledgeable journeyman following these instructions and observing the operation of the liftgate will have a sufficient comprehension of the liftgate to enable this person to troubleshoot and correct all normal problems that may be encountered.

Failure to follow the installation instructions, adjustments and mounting dimensions may result in improper and unsafe operation of the liftgate. Unauthorized alterations of the liftgate can cause an undesirable and dangerous condition.

## OWNER'S MANUAL

The Waltco Owner's Manual is intended to act as a guide for operation and routine maintenance but is no way intended to encourage usage or repair of the liftgate by those who are not qualified to do so.

The contents of the owner's manual include, but are not limited to general operation instructions, routine lubrication, parts lists, and an outline of things that should be checked but may not be obvious to those not technically qualified. This manual assumes the liftgate is properly installed, undamaged and operates correctly. Improper installation, improper operation, or damage should be immediately corrected by a qualified person.

## INSPECTION

As part of the regular inspection of a liftgate and after damage or suspicion of an overload, inspect for wear or structural damage and make necessary repairs or replacements. Check all structural components and their attachment to the liftgate for cracked welds, loose fasteners, wear and part deformation. Check cylinder and hose for leaks. Inspections and repairs should be made by a qualified mechanic.

## REPLACEMENT PARTS

Use only Waltco original equipment replacement parts. Components of other liftgate manufacturers may outwardly appear to be the same but are not interchangeable with Waltco products. Waltco components are specifically designed for safety requirements, reliability and compatibility with our products. Refer to your Waltco parts manual when ordering parts. NOTE: When ordering, give model and serial number of liftgate.

## DECALS

It is important that every vehicle that has a WALTCO Liftgate have legible DECALS clearly posted on the vehicle and an OWNER'S MANUAL in the vehicle at all times as a guide for proper operation and maintenance.

Additional DECALS and OWNER'S MANUALS can be obtained from WALTCO TRUCK EQUIPMENT COMPANY

80101388 Rev 02 EO 6156

# Chapter 1 Safety Information

## WARNING

**Read, understand, and follow all of the warning listed below.**

**Failure to follow these warning could result in severe personal injury or death.**

- Read and understand the Owner's Manual, all decals and warning on liftgate before operating liftgate.
- Do not operate liftgate without a thorough knowledge and understanding of the operation of the liftgate.
- Liftgate hazards can result in crushing or falling.
- This liftgate is designed for loading and unloading of cargo. If personnel are required to ride liftgate, observe and familiarize yourself with the liftgate operation, decals and manuals. Ensure stable footing at all times.
- Do not ride liftgate with unstable loads.
- Wheeled loads must be properly retained from rolling.
- Tall, high center of gravity loads must be retained from falling over.
- Never overload liftgate:  
Load platform as close to the vehicle, and towards the middle of the platform as possible. Refer to owner's manual and capacity decal of liftgate for maximum load and load placement.
- Keep hands and feet clear of all potential pinch points.
- Never use liftgate if it makes any unusual noise, has unusual vibration, raises or lowers unevenly, or fails to operate smoothly.
- Never use liftgate if it shows any signs of structural damage such as cracked welds, bent or distorted members.
- Do not attempt any repairs unless you are qualified to do so. Care should be taken when work is performed on a disabled liftgate located near moving traffic. When possible the vehicle should be moved away from traffic areas for repair. Precautionary measures should be taken to ensure personal safety including those recommended in Federal Motor Vehicle Safety Standards 571.125.
- When welding to liftgate, or liftgate components, take all necessary safety precautions, including using respiratory protection and other pertinent personal protective gear when welding harmful materials.
- All protective covers, guards, and safety devices must be in place and access doors closed before operating liftgate.
- Do not allow anyone to stand in, or near area, in which Platform will open and close before opening or closing Platform.
- Do not allow anyone to stand near the Platform where a falling load could land on them.
- Platform is always to be properly stored and secured for transit. See the Owner's Manual for details.
- Take care to retain cargo during transit for liftgate Platforms which function as the tailgate or door of the cargo area. Small objects can fall through the space between the vehicle and the folded Platform.
- A Lock-Out device or Shut-Off Switch should always be used to prevent unauthorized use of liftgate.
- For liftgates with Runners, never use liftgate if Runners do not travel freely and smoothly.
- For liftgates with Roller Lifting Chain, the Chain should be replaced every (5) five years or 15,000 cycles, whichever comes first. Replace only with Waltco approved Roller Chain.
- Never transfer loads which exceed lifting capacity on or over any part of the Platform unless the liftgate is equipped with a special reinforced Platform and Platform Support Bars for use when the Platform is used as loading ramp (dock board). Refer to the "Using Platform as a loading ramp" Chapter in the Operation Instructions of the BZ/RZ series Owner's Manual.
- For liftgates equipped with Trailer Hitches, never exceed the rated capacity of the hitch. Do not exceed the vehicle's weight rating. Refer to the vehicle's Owner's Manual.
- Vehicle must comply with all state and federal standards.
- Follow the "Maintenance Guide" chapter in the Owner's Manual.

# Chapter 1 Safety Information

## Liftgates with Tilt Function

- Proper use of the Control Switches is of extreme importance.
- Improper use of Tilt Switch could cause load to fall from the Platform or damage the liftgate.
- Platform should be in a generally horizontal position when raising or lowering with a load.
- In any tilt position, the Platform may vary from level while raising or lowering the Platform.

## Liftgates equipped with spring operated Cam Closer

- Replace Cam Release Spring every five (5) years or 15,000 cycles, whichever comes first.

## RGL-Series Liftgates

- Make certain Platform Brake mechanisms are operating properly.
- The Runners are always to remain powered up against the Upstops Pins when in transit.
- Inspect Cables every three (3) months or 750 cycles, whichever comes first. Cables must be replaced if they show signs of wear, distortion, kinking or if any broken wires are visible
- Replace cables every five (5) years or 10,000 cycles, whichever comes first.



This is the safety alert symbol. This manual uses this symbol to alert you to potential personal injury hazards.

Obey all safety messages that follow this symbol to avoid personal injury or death.

## SIGNAL WORDS

### WARNING

Indicates a potentially hazardous situation, which if not avoided, could result in death or serious injury.

Black letters on an orange background

### CAUTION

Indicates a potentially hazardous situation, which if not avoided, may result in minor or moderate injury. May also be used to alert against unsafe practices.

Black letters on a yellow background.

### NOTICE

Indicates a potentially hazardous situation, which if not avoided, may result in property damage.



# WALTCO Warranty Policy

WALTCO warrants its products free of defects in materials and workmanship.

WALTCO will replace components found defective during the warranty period. Labor will be reimbursed according to our flat rate labor schedule at the prevailing shop rate.

Contact our Sales or Warranty departments for the warranty period of your model or for information regarding our flat rate labor schedule.

## WALTCO Warranty Claim Procedure

For consideration, all claims must be received within 30 days of repair and include the following information:

- Liftgate Serial Number
- Description of problem and corrective actions
- Itemization of the labor charge to include the number of hours and labor rate

Replacement warranty parts can be obtained by contacting Waltco's Parts Department. Parts must be returned for inspection when requested.

### Exclusions:

Waltco's warranty does not include reimbursement for service calls, vehicle rental, towing, travel time, fabrication of parts available from WALTCO, damage from misuse or abuse, negligence, accidents, alteration, loss of income or overtime expense, oil, or normal wear.

Diagnosis and troubleshooting time are included in the flat rate labor times.

Warranty and technical information is available from WALTCO's toll free customer service lines from 8:00 a.m. to 5:00 p.m. EST.

## **Waltco Lift Corp**

285 Northeast Ave, Box 354, Tallmadge, OH 44278

1-800-211-3074, 330-633-9191

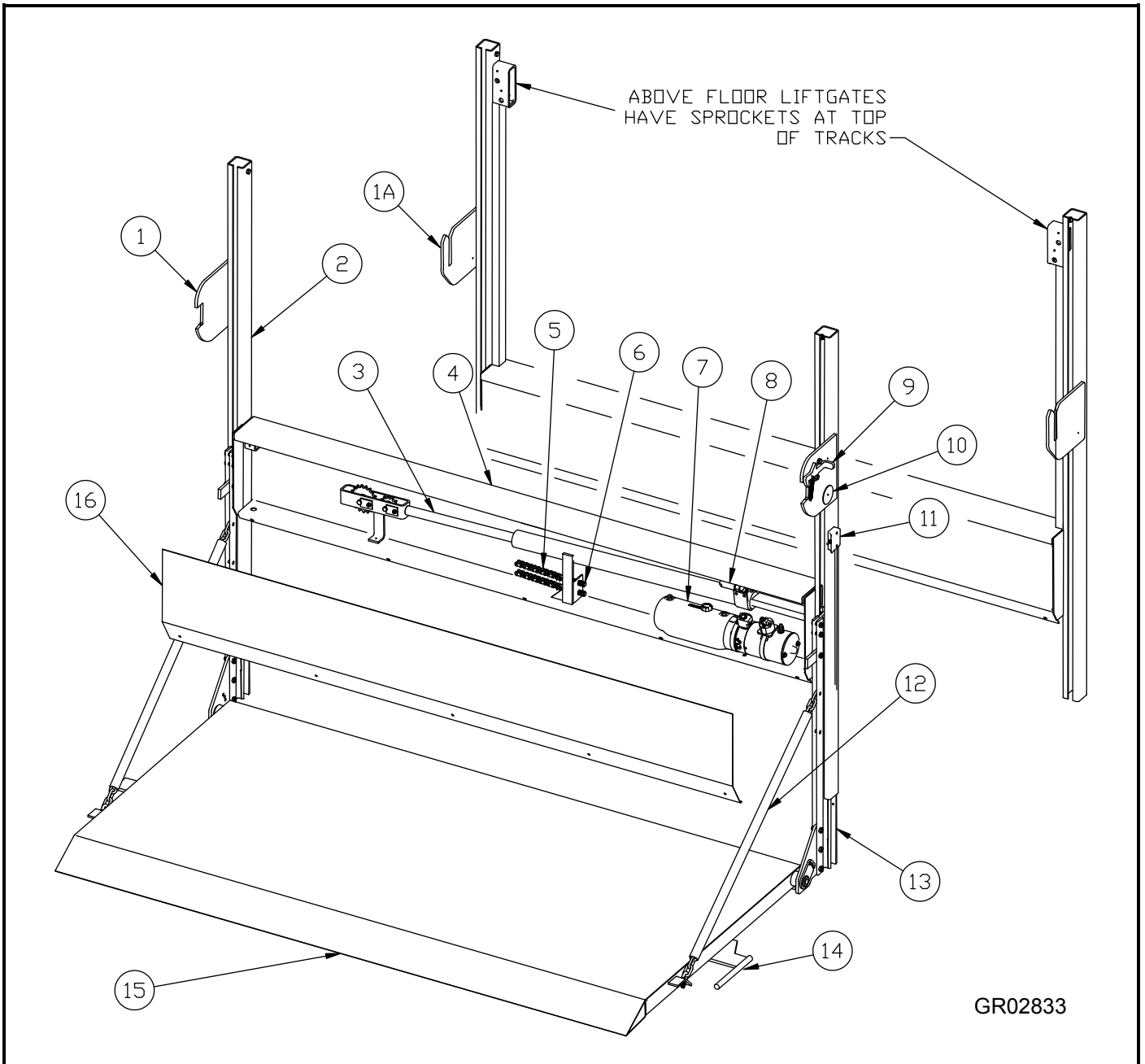
Please visit our websites: <http://www.waltco.com> or <http://www.hiab.com>

***We're behind you all the way!***

# Chapter 2 Liftgate Terminology

## TERMINOLOGY

- |   |   |
|---|---|
| <ul style="list-style-type: none"><li>1. Travel Plate (Snap Lock Design)</li><li>1A. Travel Plate (Drop-In Design)</li><li>2. Rail (Track)</li><li>3. Lift Cylinder</li><li>4. Crossbeam Box (Housing)</li><li>5. Lifting Chain</li><li>6. Anchor Bolt</li><li>7. Pump Unit</li><li>8. Flow Control Valve</li></ul> | <ul style="list-style-type: none"><li>9. Latch</li><li>10. Spec Tag</li><li>11. Switch Assembly</li><li>12. Support Chain</li><li>13. Runner (Slider)</li><li>14. Travel Ear and Grab Handle</li><li>15. Platform</li><li>16. Housing Cover</li></ul> |
|---|---|



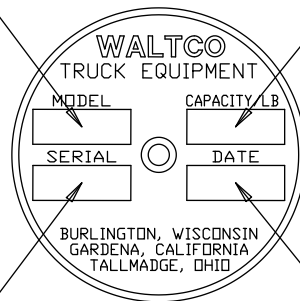
# Chapter 2 Liftgate Terminology

## Explanation of Specification Tag

Model Name	Description	Capacity
MDL-12	Medium Duty Lift	1200 lbs.
MDL-16	Medium Duty Lift	1600 lbs.
MDL-20	Medium Duty Lift	2000 lbs.
MDL-30	Medium Duty Lift	3000 lbs.
MDLBG-16	MDL Bottle Gas	1600 lbs.
MDLBG-20	MDL Bottle Gas	2000 lbs.
DS-16	Dock Storage	1600 lbs.
DS-20	Dock Storage	2000 lbs.
DS-30	Dock Storage	3000 lbs.
SB-12	Service Body	1200 lbs.
SB-16	Service Body	1600 lbs.
DT-16	Dump Through	1600 lbs.
DT-20	Dump Through	2000 lbs.
DT-30	Dump Through	3000 lbs.

**MODEL NAME**

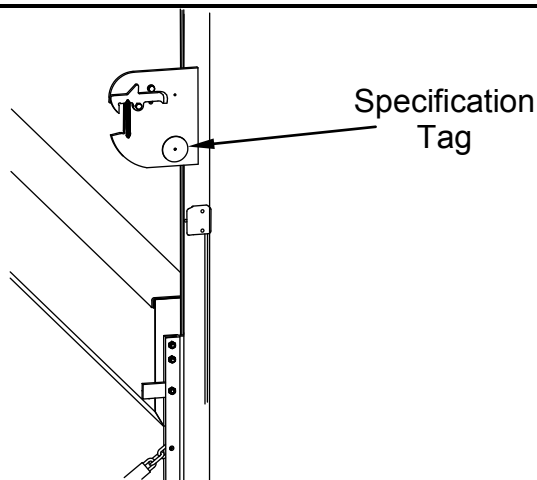
**RATED CAPACITY**  
Based on an evenly distributed load on the platform flat surface.



**SERIAL NUMBER**  
of liftgate. To be used when ordering parts or when contacting Waltco for service or warranty questions

**DATE OF MANUFACTURE**  
Month / Year

GR00241



GR02834



# Chapter 3 Operation Instructions

## TO OPEN PLATFORM Snap Lock Design Manual Close

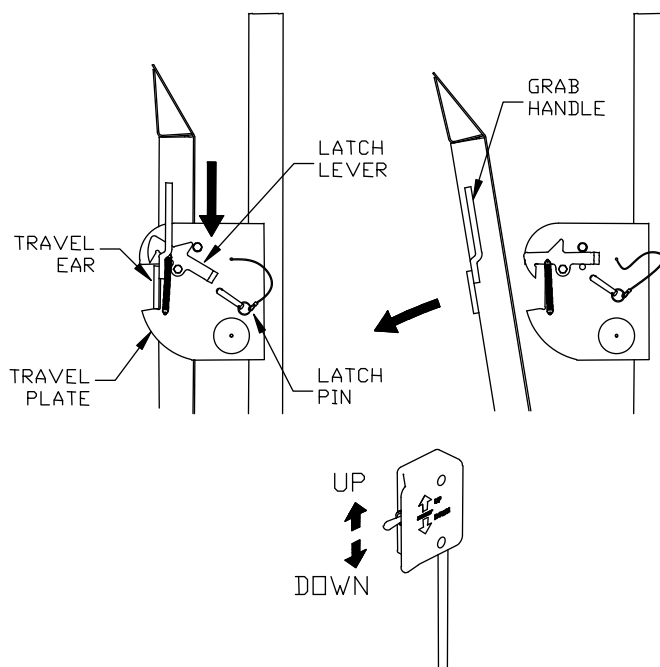
Remove latch pin from hole in travel plate.  
Pull down latch lever to clear travel ear on platform.

Using grab handle, pull platform to open position.

**⚠ Never force platform open.  
Keep hands away from pinch points.**

If necessary use Up and Down switch to free travel ear in travel plate.

Ref Operation Decal 80101575



GR02840

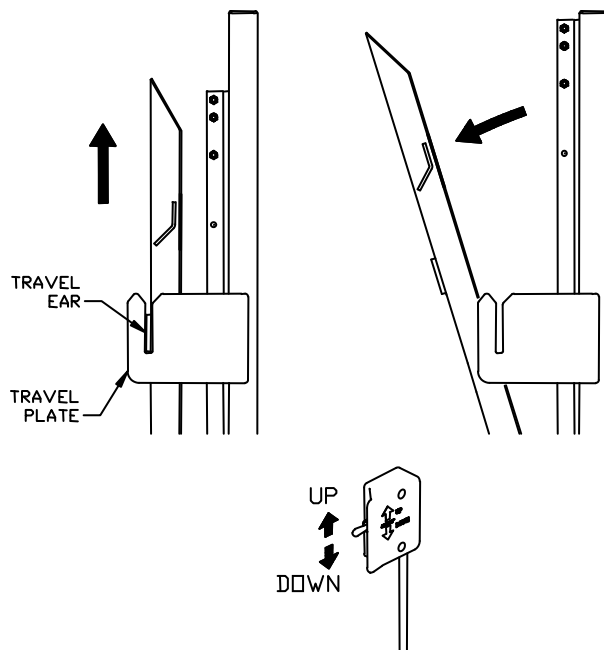
## TO OPEN PLATFORM Drop-In Design Manual Close

Use switch to raise platform up out of travel plates.

Pull platform open to horizontal position.

**⚠ Never force platform open.  
Keep hands away from pinch points.**

Ref Operation Decal 80101577



GR02961

# Chapter 3 Operation Instructions

## TO OPEN PLATFORM Drop-In Design w/Power Close

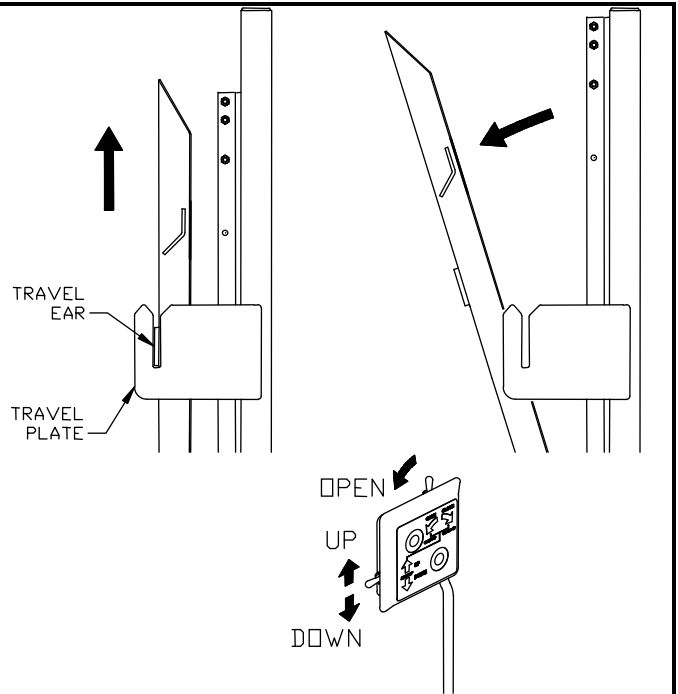
**⚠ Make certain area around platform is clear before opening platform. Keep hands away from pinch points.**

Raise platform so travel ear is completely out of travel plate.

Use Down and Open switches simultaneously to open platform.

Use Up and Down switch to raise and lower platform.

Ref Operation Decal 80101536



GR02841

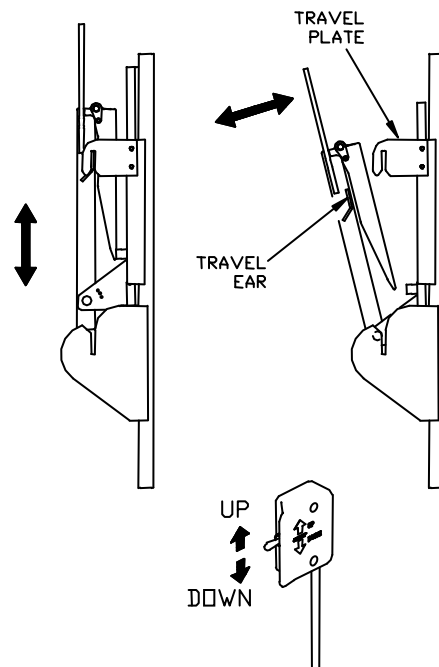
## TO OPEN PLATFORM Power Up Storage Manual Close

Use switch to lower platform up out of travel plates.

Pull platform open to horizontal position.

**⚠ Never force platform open. Keep hands away from pinch points.**

Ref Operation Decal 80101639



GR02962

# Chapter 3 Operation Instructions

## TO OPEN PLATFORM

### Power Up Storage w/Power Close

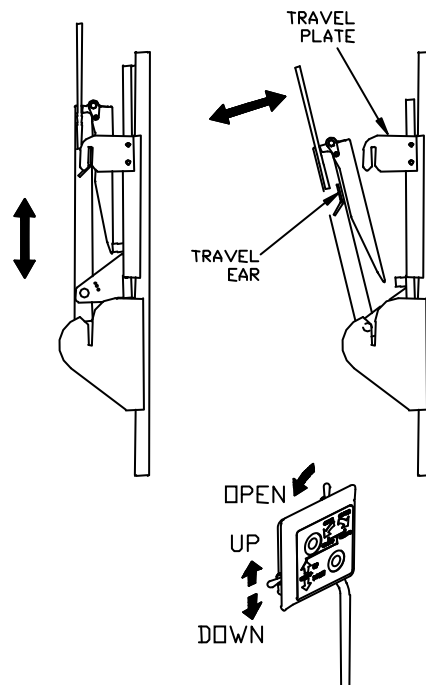
**⚠ Make certain area around platform is clear before opening platform. Keep hands away from pinch points.**

Lower platform so travel ear is completely out of travel plate.

Use Down and Open switches simultaneously to open platform.

Use Up and Down switch to raise and lower platform.

Ref Operation Decal 80101638



GR02963

## TO OPEN PLATFORM

### Drop-In with Cam Manual Close

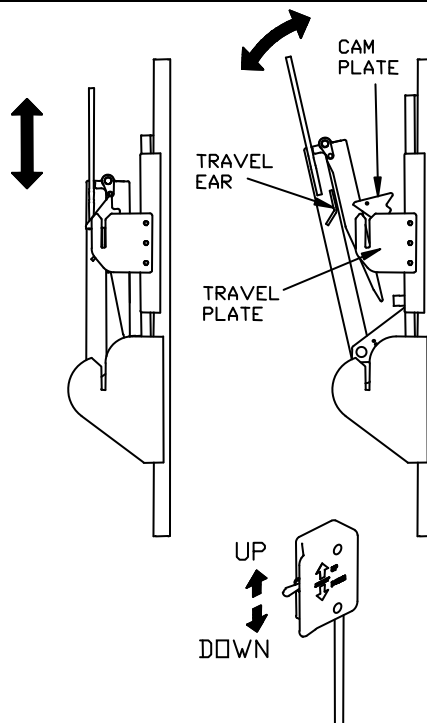
Use switch to raise platform up out of travel plates until cam flips down.

Use switch to lower platform down to a comfortable height then pull platform open.

Pull platform open to horizontal position.

**⚠ Never force platform open. Keep hands away from pinch points.**

Ref Operation Decal 80101640



GR02964

# Chapter 3 Operation Instructions

## TO STORE PLATFORM

### Snap Lock Design

Raise platform to comfortable position for lifting into vertical position using grab handle.

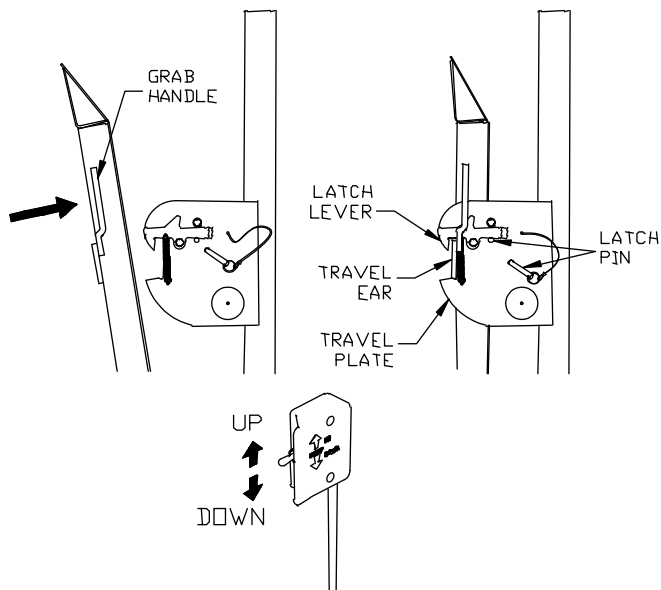
**⚠ Keep hands away from pinch points.**

Use Up and Down switch to adjust platform until travel ear can be placed into travel plate and latch lever engaged over ear.

Insert latch pin into travel plate hole.

**⚠ If so equipped, turn power off to liftgate to prevent unauthorized use.**

Ref Operation Decal 80101575



GR02842

## TO STORE PLATFORM

### Drop-In Design Manual Close

Use switch to raise platform all the way up.

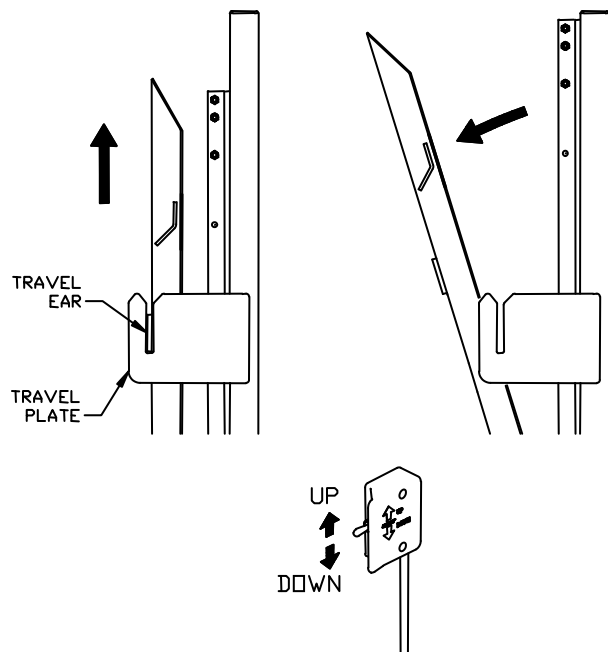
Manually rotate platform up to vertical position.

Use switch to lower platform travel ears into travel plates.

**⚠ Never force platform open. Keep hands away from pinch points.**

**⚠ If so equipped, turn power off to liftgate to prevent unauthorized use.**

Ref Operation Decal 80101577



GR02961

# Chapter 3 Operation Instructions

## TO STORE PLATFORM Drop-In Design w/Power Close

With platform open, raise platform all the way up.

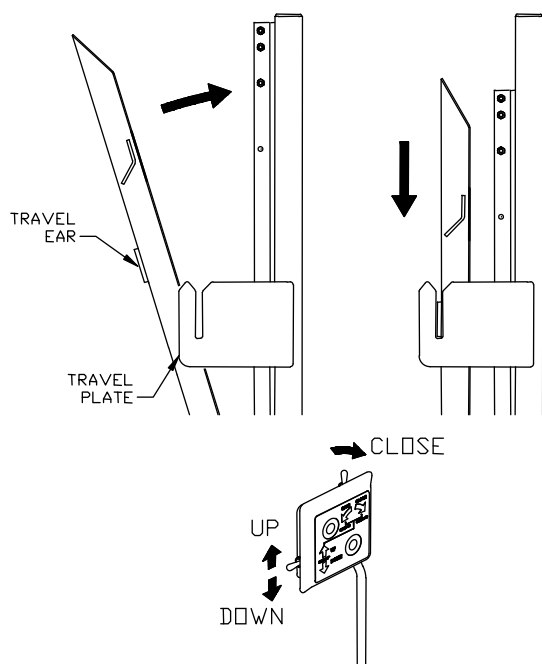
Use Up and Close switches simultaneously to close platform.

Use Down switch to lower travel ears into travel plates.

**⚠ Keep hands away from pinch points.**

**⚠ If so equipped, turn power off to liftgate to prevent unauthorized use.**

Ref Operation Decal 80101536



GR02843

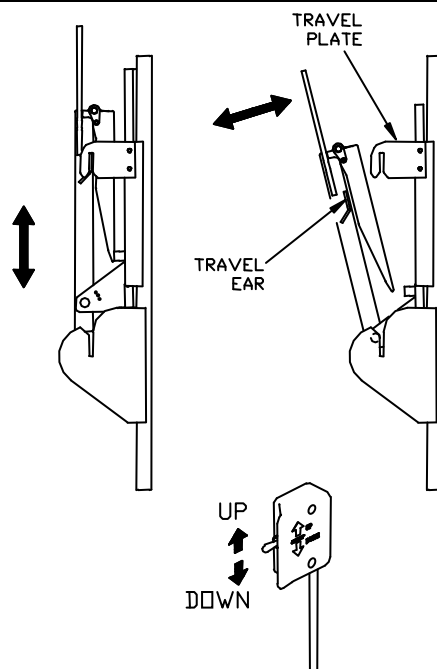
## TO STORE PLATFORM Power Up Storage Manual Close

With platform below bed height, manually fold platform to vertical position.

Use switch to fully raise platform travel ears up into travel plates.

**⚠ If so equipped, turn power off to liftgate to prevent unauthorized use.**

Ref Operation Decal 80101639



GR02962

# Chapter 3 Operation Instructions

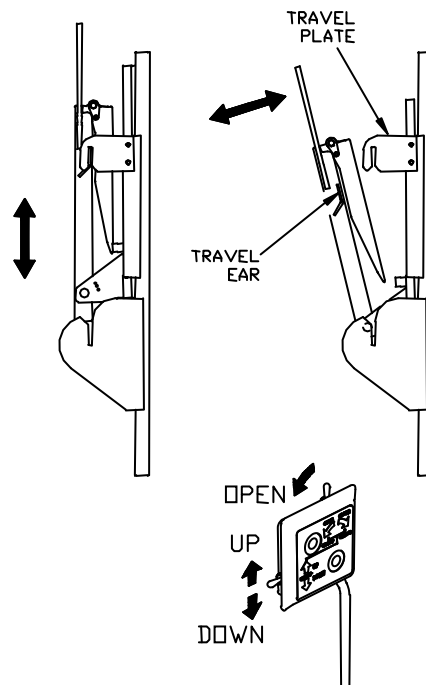
## TO STORE PLATFORM Power Up Storage w/Power Close

With platform below bed height, use the “Up” and “Close” switches simultaneously, power platform closed.

Use the “Up” switch to raise platform travel ears into the travel plates.

**⚠ If so equipped, turn power off to liftgate to prevent unauthorized use.**

Ref Operation Decal 80101638



GR02963

## TO STORE PLATFORM Drop-In with Cam Manual Close

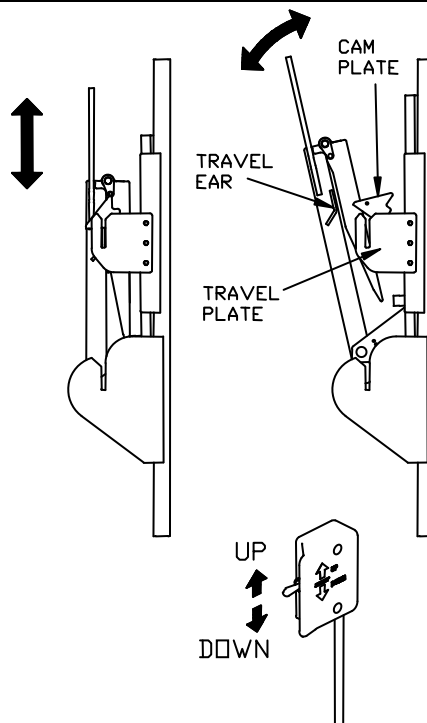
With platform below bed height, fold platform up to vertical position.

Use switch to raise platform up until travel ears clear travel plates, and cam is flipped up.

Use switch to lower travel ears down into travel plates.

**⚠ If so equipped, turn power off to liftgate to prevent unauthorized use.**

Ref Operation Decal 80101640



GR02964

# Chapter 3      Operation Instructions

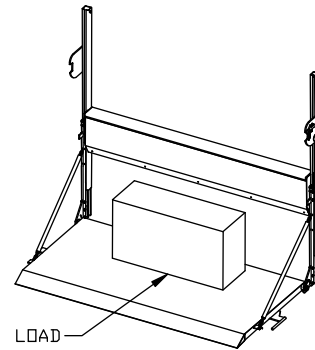
## LOADING OF PLATFORM

Load and unload from rear of platform and not side of platform. Never remove side linkage to load or unload platform.

Always load as close to center of platform and as close to truck sill as possible.

Never operate lift trucks on or over any part of platform.

This unit is intended for loading and unloading of cargo only. Do not use for anything but its intended use.



GR02844

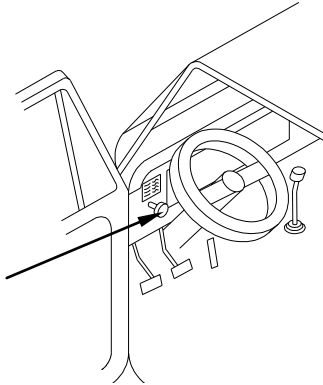
## POWER OFF TO LIFTGATE (OPTIONAL SWITCH)

Turn power off to liftgate by turning off the Cab Shut-Off switch inside the cab of vehicle. This may be a toggle or rotary type switch.



**Turn power off to liftgate to prevent unauthorized use of liftgate.**

Cab Shut Off Switch



GR00379

# Chapter 4 Preventive Maintenance

Waltco recommends that the MDL, DS, DT, and SB-Series liftgates be inspected at 6 month or 3000 cycle intervals to help assure proper function and operation of the liftgate.

Note: Photocopy the following PM Checklist to help keep track of periodic maintenance on the liftgate. Keep completed form with maintenance records.

For more detailed instructions on the following checklist items, refer to the appropriate sections in this Owner's Manual.



**Do not continue to use liftgate if any points of inspection, listed below, may cause you to think the liftgate is unsafe. Repair immediately.**

**If liftgate is found to be in need of repair or adjustment not covered in this manual, contact your nearest Waltco Distributor.**

## WALTCO MDL, DS, DT, and SB-SERIES LIFTGATE PREVENTIVE MAINTENANCE CHECKLIST

PM Interval: 6 Months or 3000 Cycles      Date: \_\_\_\_\_      Vehicle No. \_\_\_\_\_

Mechanic: \_\_\_\_\_      Liftgate S/N: \_\_\_\_\_      Model: \_\_\_\_\_

Check appropriate box below for each step:

### 6 Month Liftgate PM Procedures

1	OK	Repair Required	Corrected	Check for apparent damage to the lifting structure, such as bent or distorted members or cracked welds, which may have resulted from overloading or abuse.
2	OK	Repair Required	Corrected	Check that all pins, bolts and fasteners are tight and secure.
3	OK	Repair Required	Corrected	Check for worn or damaged bearings sprockets, and roller chains.
4	OK	Repair Required	Corrected	Check that controls operate properly.
7	OK	Repair Required	Corrected	Check that cab shut-off switch cuts power to liftgate.
5	OK	Repair Required	Corrected	Check all battery cables and connections (both positive and ground cables) to be sure they are tight and free of corrosion.
6	OK	Repair Required	Corrected	Check that platform is level.
7	OK	Repair Required	Corrected	Check torsion bars and related hardware.
8	OK	Repair Required	Corrected	Check platform support chains.
9	OK	Repair Required	Corrected	Check for hydraulic leaks in hydraulic cylinder(s), hoses, fittings, and valves.
10	OK	Repair Required	Corrected	Check oil level in reservoir.
11	OK	Repair Required	Corrected	Check lowering speed of platform.
12	OK	Repair Required	Corrected	Check that all decals are in place and legible.
13	OK	Repair Required	Corrected	Lubricate the liftgate per the "Lubrication Instructions".

### 12 Month Liftgate PM Procedures (Includes steps 1-13 above)

14	OK	Repair Required	Corrected	Inspect Pump Motor for wear and/or damage.
15	OK	Repair Required	Corrected	Drain and replace Hydraulic Fluid.



# Chapter 4 Preventive Maintenance

## MONTHLY INSPECTION

Operate the liftgate throughout its entire operational cycle. Check for:

- Damage to lifting structure such as bent or distorted members or cracked welds.
- Worn or damaged roller chain, sprockets, and bearings.
- Bent or distorted pins or damaged cylinder.
- Torsion bars are in place and properly working.
- All pivot and cylinder pins are securely in place, undamaged and retained by their proper fasteners.
- Damaged or worn bearings that pivot and cylinder pins rest in.
- Controls operate correctly (refer to chapter 3, “**Operations Instructions**”)
- Check all power cables, ground cables, and connections.
- Clean and tighten all loose connections. Replace any damaged or corroded wires or connectors.



**Do not continue to use liftgate if any points of inspection listed at left, or below, may cause you to think the liftgate is unsafe. Repair immediately.**

**If liftgate is found to be in need of repair or adjustment not covered in this manual, contact your nearest Waltco Distributor.**

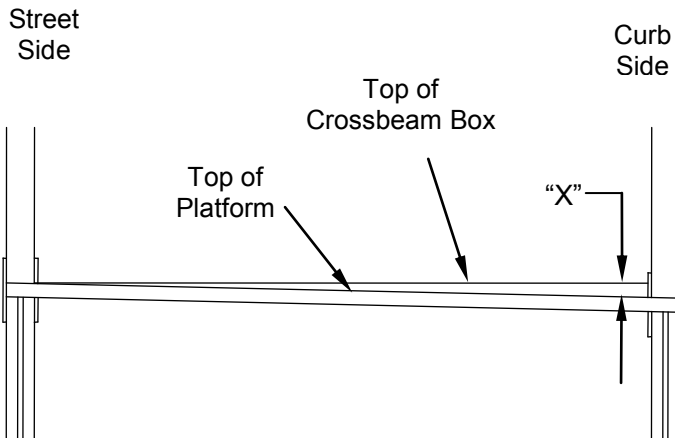
# Chapter 4 Preventive Maintenance

## PLATFORM ADJUSTMENT

Unfold and raise platform to bed level and check for:

1. If platform travels more than  $\frac{1}{4}$ " above the top of the crossbeam box, and liftgate is not an Above Floor model liftgate, see below for adjustment.
2. If platform is uneven see below for adjustment.

Lower platform to ground. Remove access cover from crossbeam box.



If liftgate is Above Floor model:

- Adjust as required to level platform.

If liftgate is not an Above Floor model:

- Adjust platform so it is level with top of crossbeam box.



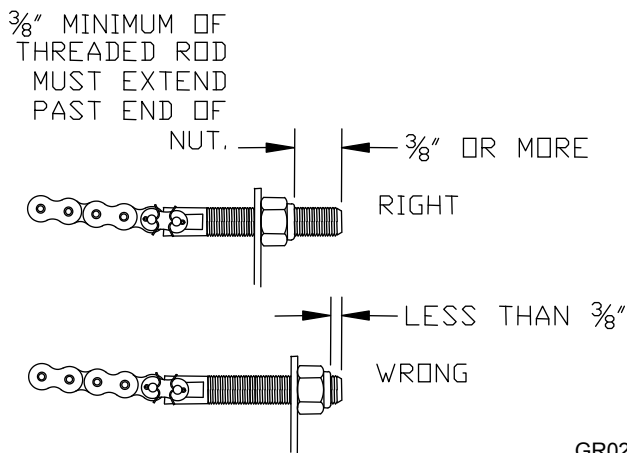
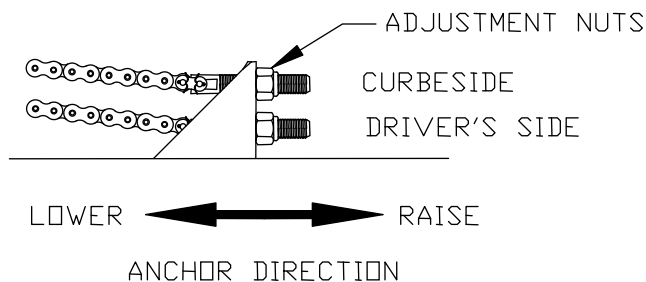
**For non-Above Floor liftgates, never adjust platform to travel above the crossbeam box.**



**Never adjust nut out less than  $\frac{3}{8}$ " from end of anchor bolt.**



**Never have any part of your body underneath the platform while making adjustments.**



GR02871

## ABOVE FLOOR TRAVEL

If above floor travel is to be reduced, additional links will need to be added to the lifting chains.

If additional above floor travel is desired, contact Waltco for assistance. Ability to increase travel varies with each specific model of liftgate and bed height of vehicle.

# Chapter 4 Preventive Maintenance

## HYDRAULICS

Inspect for oil leaks in:

Hydraulic cylinder(s)

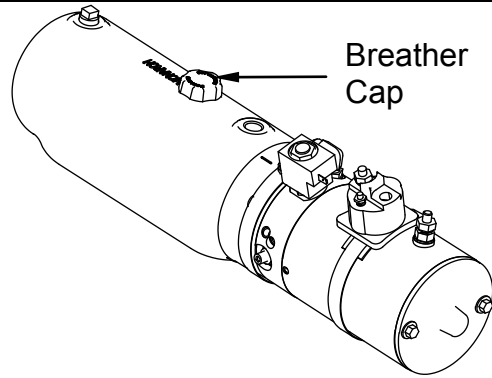
Hydraulic hoses - Replace hoses if they show signs of excessive abrasion

Hydraulic fittings and valves

Tighten or replace all hydraulic components as may be required to stop oil leakage

## CHECK AND FILL HYDRAULIC RESERVOIR

- Lower platform to ground and remove access cover.
- Remove reservoir breather cap.
- Oil level should be 1/2" from top of reservoir.
- If low, fill as required. Use appropriate fluid per chart.
- Replace breather cap.



GR02836

### Recommended Fluids

Temperature Range	Acceptable Fluids
0° to 120° F	Waltco Biodegradable Liftlube™ part #85803860
	Shell Tellus S2 V 32
	Chevron Rando HDZ 32
-20° to 90° F	Waltco Biodegradable LiftLube Arctic part #85803866
	Waltco All Season Hyd Oil Part 85803867
	Shell Tellus S2 V 15
	Mobil DTE 10 Excell 15

A good quality SAE 10W motor oil may also be used in temperatures above 32° F.

Fill reservoir

- Fill with recommended fluid or equivalent.
- Fill the reservoir to within 1/2" from the top.
- Fluids are available from the Waltco parts Dept. 1-800-411-5685 [www.waltco.com](http://www.waltco.com)

#### NOTE:

**Do not use the following fluids:**

**Brake Fluid**

**Power steering fluid**

**Automatic Transmission Fluid (ATF)**

Rev 06

# Chapter 4 Preventive Maintenance

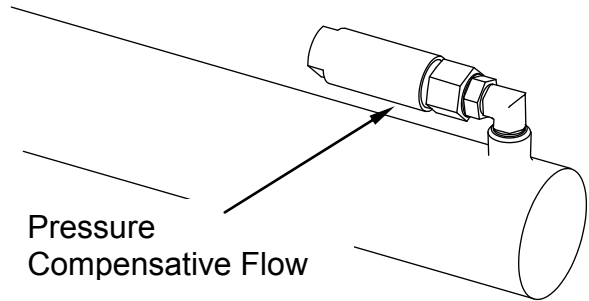
**There is no speed adjustment on this liftgate.**

Lowering speed is controlled by the pressure compensative valve plumbed at the cylinder. Regardless of weight on platform, liftgate should lower at approximately six (6) inches per second.

$$\frac{\text{Bed Height (inches)}}{6} = \text{Lowering Time (seconds)}$$



**This liftgate must have the correct pressure compensative valve install:**



GR00160

**INSPECT DECALS AND LUBRICATE LIFTGATE**

Inspect all decals per Chapter 5 of this manual. Replace any that are missing or damaged.

Lubricate liftgate per Chapter 6 of this manual.

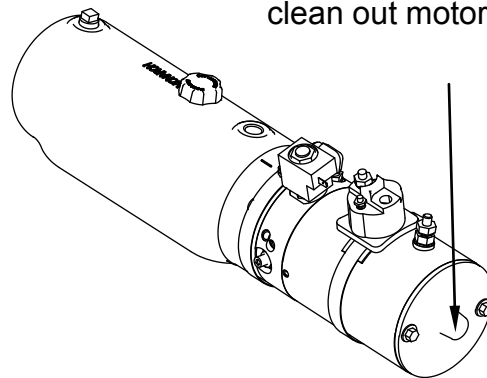
**ANNUAL INSPECTION**

Inspect power motor:

- Disconnect battery cable.
- Remove end cover.
- Examine armature brushes for wear (Motor should be replaced if less than 1/8" long).
- Clean out all residue from inside of motor housing.
- Apply several drops of light weight machine oil to armature shaft bearing in motor end cover.
- Reassemble motor.

Drain hydraulic fluid and replace with new fluid per recommended fluids chart.

Remove cover to check brushes and clean out motor



GR02836

BLANK PAGE

# Chapter 5 Placement of Decals



All decals must be in place and legible or all warranties are void.

ITEM	DECAL	QTY	PART NO.	LOCATION
1	Safety Instructions	1	80100850	Locate in a conspicuous place near controls.
	Operation Decals (see Owner's Manual for details)			
	Snap Lock / Manual	1	80101575	
	Drop-In / Manual		80101577	
	Drop-In / Power Close		80101536	
	Power Up Storage / Manual		80101639	
	Power Up Storage / Power Close		80101638	
	Drop-In with Cam / Manual		80101640	
	Hazard Decal		1	
	Important Decal	1	80100828	
	1250 # Capacity Decal	2	80100266	
1600 # Capacity Decal	80100252			
2000 # Capacity Decal	80100253			
3000 # Capacity Decal	80100257			
2	Caution Decal	4	75089296	Locate one in a conspicuous place near controls. Locate one in a conspicuous place on driver side of vehicle.
3	Protective Cover Decal	2	75089282	Locate one on hydraulic cylinder. Locate on back of crossbeam box.
4	Cab Shut Off Decal (Optional)	1	75089267	Locate next to cab shut-off switch inside vehicle.
5	Switch Decal	1	80101532	Locate on switch housing (single toggle switch)
			80101533	Locate on switch housing (2 toggle switch)
6	Warning Decal	1	80100829	Locate next to liftgate circuit breaker. In applications where more than one circuit breaker is used, decal must be placed in both locations.

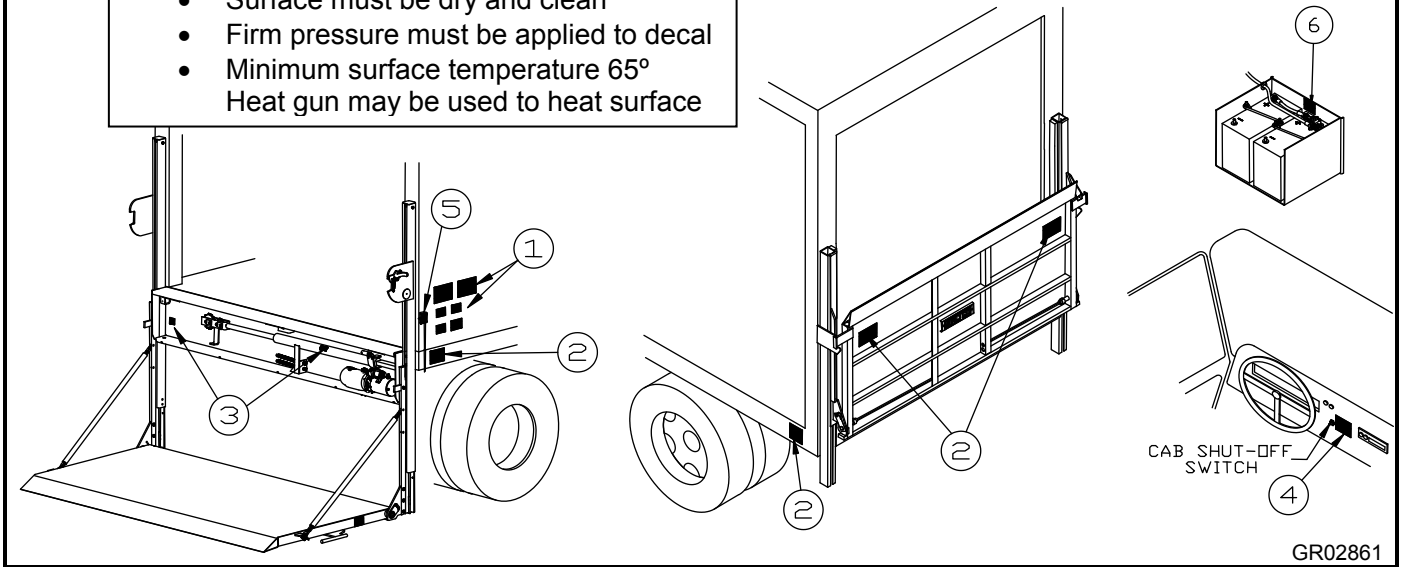


If your liftgate is equipped with dual controls, an additional Safety Instruction decal (80100850) is to be placed in a conspicuous place near the second set of controls.

# Chapter 5 Placement of Decals

To maximize decal adhesion to surfaces:

- Surface must be dry and clean
- Firm pressure must be applied to decal
- Minimum surface temperature 65°  
Heat gun may be used to heat surface



GR02861

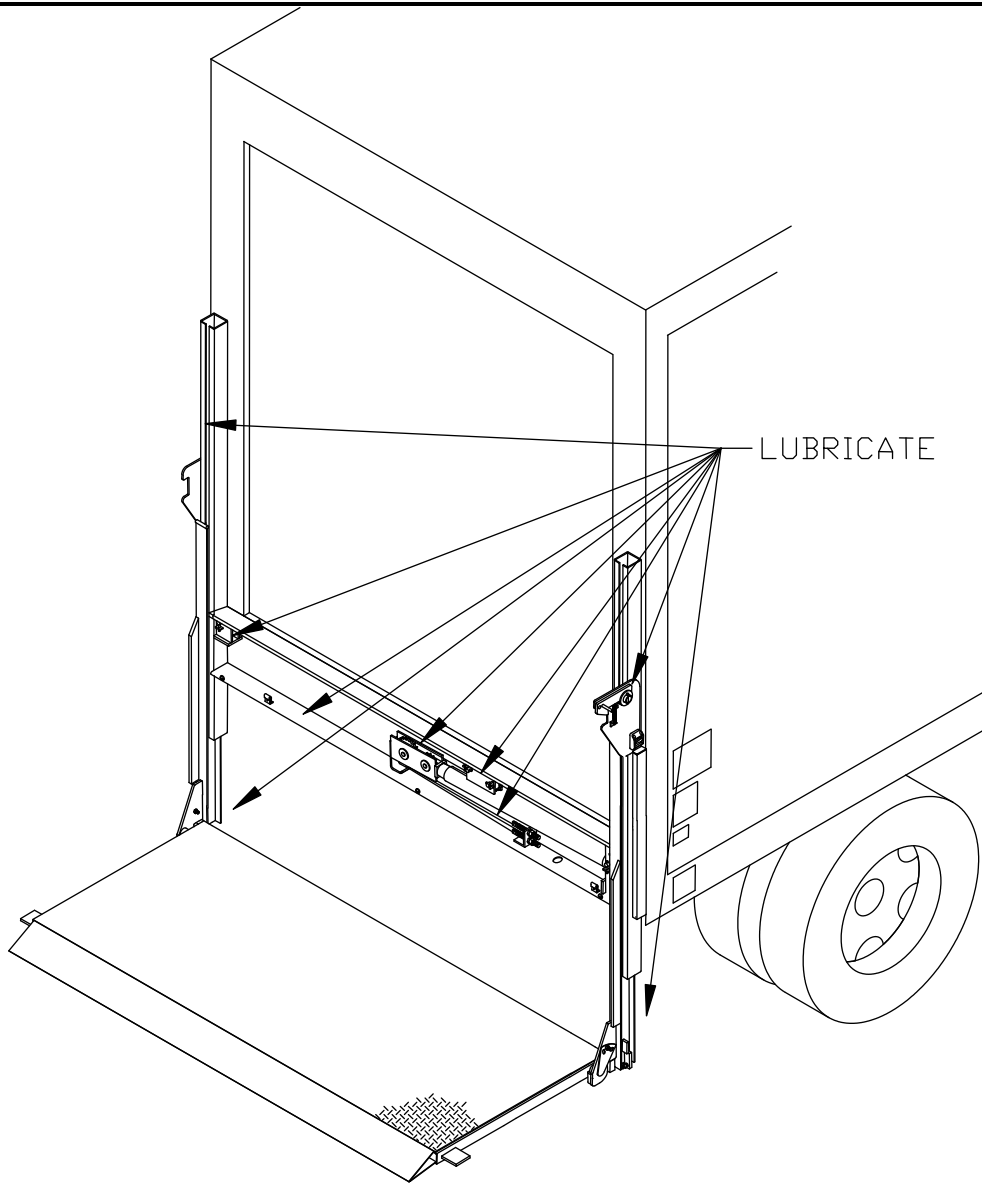
# Chapter 6 Lubrication Instructions

- Lubricate lifting chains including sections in crossbeam box, rails, & runner assemblies with machine oil or motor oil.
- Lubricate latch, inside rails, crossbeam box, and platform hinges with machine oil or motor oil.
- Lubricate driver and passenger side tracks.

Suggested Minimum Lubrication Schedule (in days)

Monthly Cycles	Light Duty	Medium Duty	Heavy Duty
< 250	45	30	21
250 – 350	30	21	14
350 – 450	21	14	7
> 450	Contact Factory		

- Lubricate every 30 days if cycles are unknown.



GR02860





# Chapter 8 – How To Order Parts

**Repairs should be made only by authorized mechanics using WALTCO Replacement parts.**

When ordering repair or replacement parts, please include all the information asked for below. If this information is not available, a complete written description or sketch of the required part will help WALTCO identify and deliver the needed part to you.

---

## THE FOLLOWING INFORMATION MUST BE INCLUDED:

1. SERIAL NUMBER - [WALTCO liftgate serial numbers can be found on the Specification Tag attached to the mount frame. (On older units the Specification Tag is located on the side or bottom of the platform.)]
2. MODEL NUMBER - [Or capacity]
3. PLATFORM SIZE

---

## THEN INCLUDE THE FOLLOWING INFORMATION:

4. PART NUMBERS
5. DESCRIPTION
6. QUANTITY REQUIRED

---

## MAIL, E-MAIL OR PHONE YOUR REQUEST TO:

Waltco Truck Equipment Co.  
285 Northeast Avenue  
Tallmadge, OH 44278  
1-800-411-5685  
FAX: 1-800-411-5684  
E-MAIL: [parts@waltco.com](mailto:parts@waltco.com)

**ALL PARTS ARE F.O.B. FROM THE SHIPPING FACTORY**

---

## PLEASE NOTE:

To assure you of continuing and effective quality control, our warranty policy permits replacement of hydraulic cylinders, valves and motor pump units when their factory seals are intact. Parts under warranty will be exchanged promptly after careful inspection of the returned assemblies.

---



Every vehicle that has a WALTCO Liftgate must have legible **WARNING AND OPERATION DECALS** clearly posted on the vehicle and an **OWNER'S MANUAL** in the vehicle at all times as a guide for proper operation and maintenance.

Additional **WARNING DECALS**, **OPERATION DECALS** and **OWNER'S MANUALS** can be obtained from **WALTCO LIFT CORP.**

---

**NOTE:**

**When ordering, give model  
and serial number of the liftgate.**

---

# ***IMPORTANT***

## **KEEP THIS OWNER'S MANUAL IN THE VEHICLE**

### **WARNING**

**Improper operation and maintenance of this liftgate could result in severe personal injury or death.**

**Read and understand the contents of this manual and all warning and operation decals before operating and/or performing maintenance on this liftgate.**

**For SAFETY information on this liftgate see Chapter 1 of this manual**