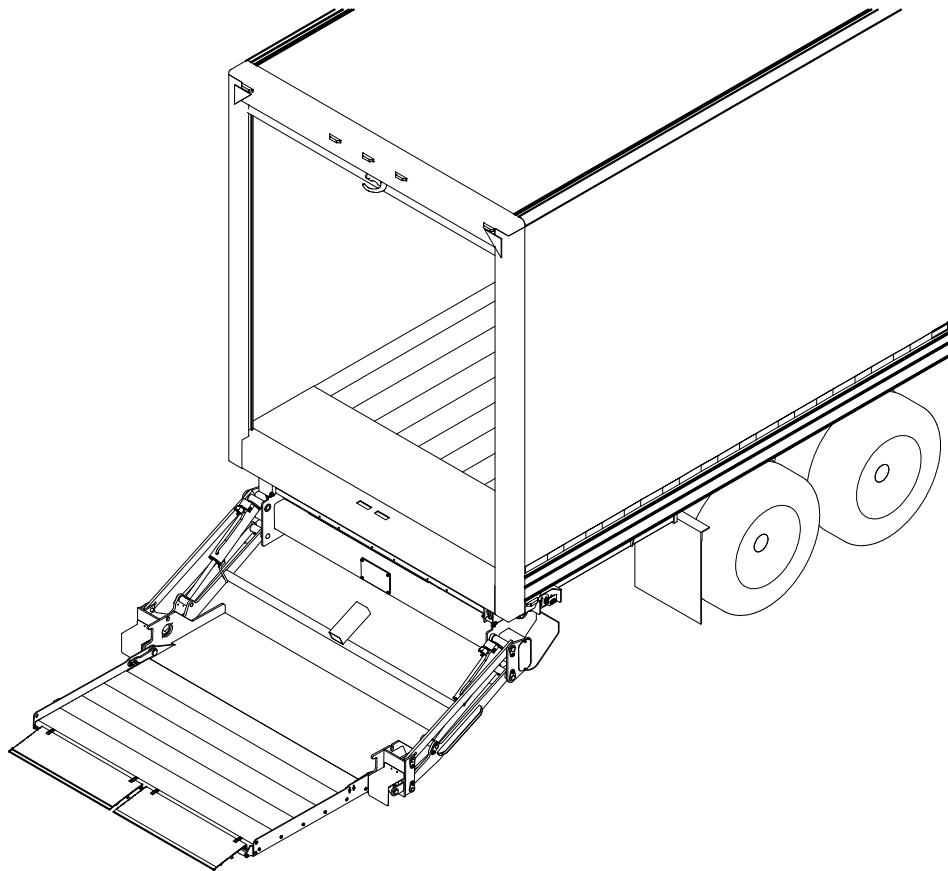


Parts Manual

GT-33, 44, 55

3300, 4400, 5500 lb. Capacity Flipaway Liftgates



Last Change:


Date	Pages	Description
9-2015	16-19	Complete hydraulic schematics to include cylinders, lock valves, and drive motor.

Waltco Lift Corp.
Corporate Office United State
285 Northeast Ave.
Tallmadge, OH 44278
P: 330.633.9191
F: 330.633.1418

Waltco Lift Corp.
United States
620 S Hambledon Ave.
City of Industry, CA 91744
P: 626.964.0990
F: 626.964.0149

Waltco Lift Inc.
Canada
90 North Queen St.
Etobicoke, ON M8Z 2C5
P: 888-343.4550

Table of Contents

	<p>Improper installation of this liftgate could result in severe personal injury or death.</p> <p>Read and understand the contents of these instructions before proceeding.</p> <p>When installed, this liftgate must not alter or prevent vehicle compliance to any existing state or federal standards.</p> <p>Each chassis manufacturer’s recommendations should be consulted for compliance.</p>
---	--

Introduction 3

How to Order Parts 4

Warranty 5

Model Information 6

Placement of Decals 8

Platform..... 11

Track Frame..... 12

Mount Frame..... 13

Hydraulic and Electric Layout..... 14

Pump Box 15

Schematics 16

Introduction

Each Waltco liftgate is manufactured to stringent quality standards for years of reliable service. To ensure maximum performance of your Waltco liftgate, always specify and use “OEM Parts” from Waltco.

This manual does not provide procedures for the servicing and repair of Waltco liftgates. Service and repair should only be performed by an authorized Waltco distributor. For information on the nearest authorized Waltco distributor contact:

Waltco Lift Corp.

285 Northeast Avenue

Tallmadge, OH 44278

Phone: 800.411.5685

Fax: 800.411.5684

E-mail: parts@waltco.com



The use of non-standard or makeshift parts can be extremely hazardous and result in serious injury or death.



Every vehicle that has a WALTCO Liftgate must have legible WARNING AND OPERATION DECALS clearly posted on the vehicle and an OWNER'S MANUAL in the vehicle at all times as a guide for proper operation and maintenance.

How To Order Parts

Repairs should be made only by authorized mechanics using WALTCO Replacement parts.

When ordering repair or replacement parts, please include all the information asked for below. If this information is not available, a complete written description or sketch of the required part will help WALTCO identify and deliver the needed part to you.

THE FOLLOWING INFORMATION MUST BE INCLUDED:

1. SERIAL NUMBER - [WALTCO liftgate serial numbers can be found on the Specification Tag attached to the mount frame.]
2. MODEL NUMBER
3. CAPACITY
4. PLATFORM SIZE

THEN INCLUDE THE FOLLOWING INFORMATION:

5. PART NUMBERS
6. DESCRIPTION
7. QUANTITY REQUIRED

MAIL, E-MAIL OR PHONE YOUR REQUEST TO:

Waltco Lift Corp
285 Northeast Avenue
Tallmadge, OH 44278
1-800-411-5685
FAX: 1-800-411-5684
E-MAIL: parts@waltco.com

ALL PARTS ARE F.O.B. FROM THE SHIPPING FACTORY

PLEASE NOTE:

To assure you of continuing and effective quality control, our warranty policy permits replacement of hydraulic cylinders, valves and motor pump units when their factory seals are intact. Parts under warranty will be exchanged promptly after careful inspection of the returned assemblies.

WALTCO Warranty Policy

WALTCO warrants its products free of defects in materials and workmanship.

WALTCO will replace components found defective during the warranty period. Labor will be reimbursed according to our flat rate labor schedule at the prevailing shop rate.

Contact our Sales or Warranty departments for the warranty period of your model or for information regarding our flat rate labor schedule.

WALTCO Warranty Claim Procedure

For consideration, all claims must be received within 30 days of repair and include the following information:

- Liftgate Serial Number
- Description of problem and corrective actions
- Itemization of the labor charge to include the number of hours and labor rate

Replacement warranty parts can be obtained by contacting Waltco's Parts Department. Parts must be returned for inspection when requested.

Exclusions:

Waltco's warranty does not include reimbursement for service calls, vehicle rental, towing, travel time, fabrication of parts available from WALTCO, damage from misuse or abuse, negligence, accidents, alteration, loss of income or overtime expense, oil, or normal wear.

Diagnosis and troubleshooting time are included in the flat rate labor times.

Warranty and technical information is available from WALTCO's toll free customer service lines from 8:00 a.m. to 5:00 p.m. EST.

Waltco Lift Corp

285 Northeast Ave, Box 354, Tallmadge, OH 44278

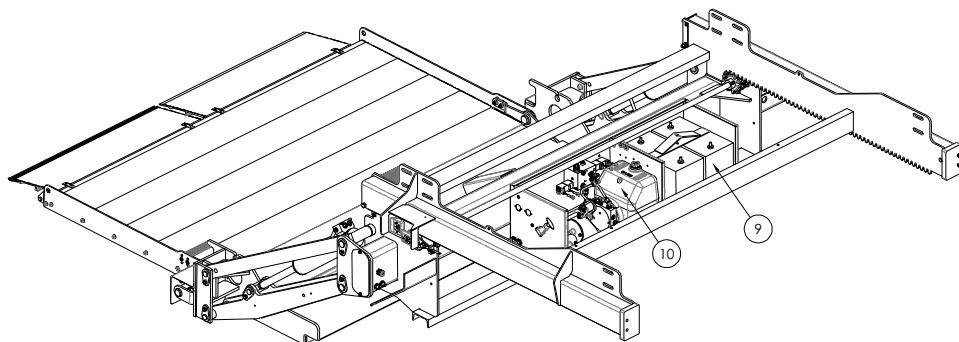
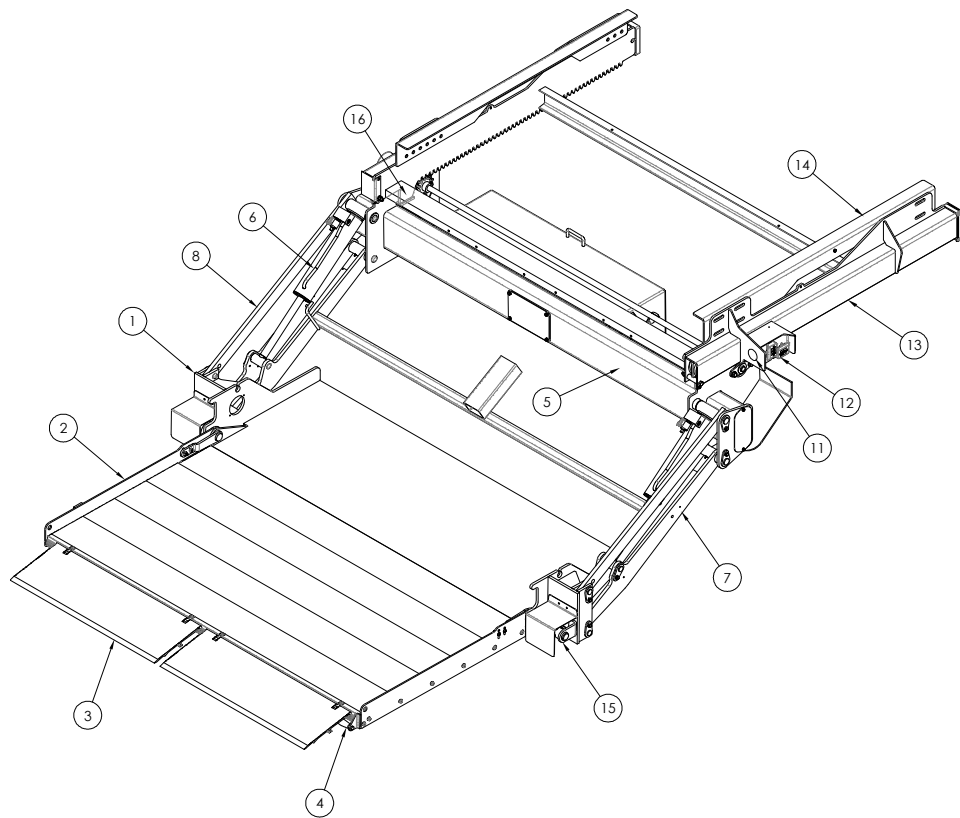
1-800-211-3074, 330-633-9191

Please visit our websites: <http://www.waltco.com> or <http://www.hiab.com>

We're behind you all the way!

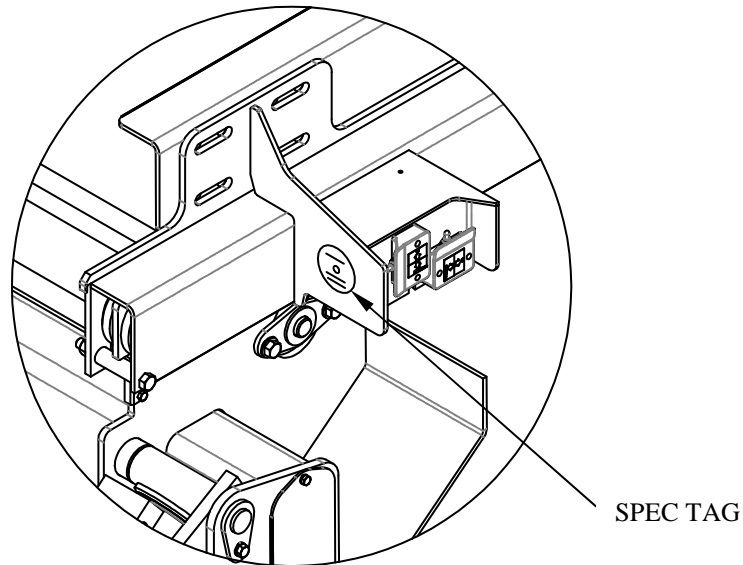
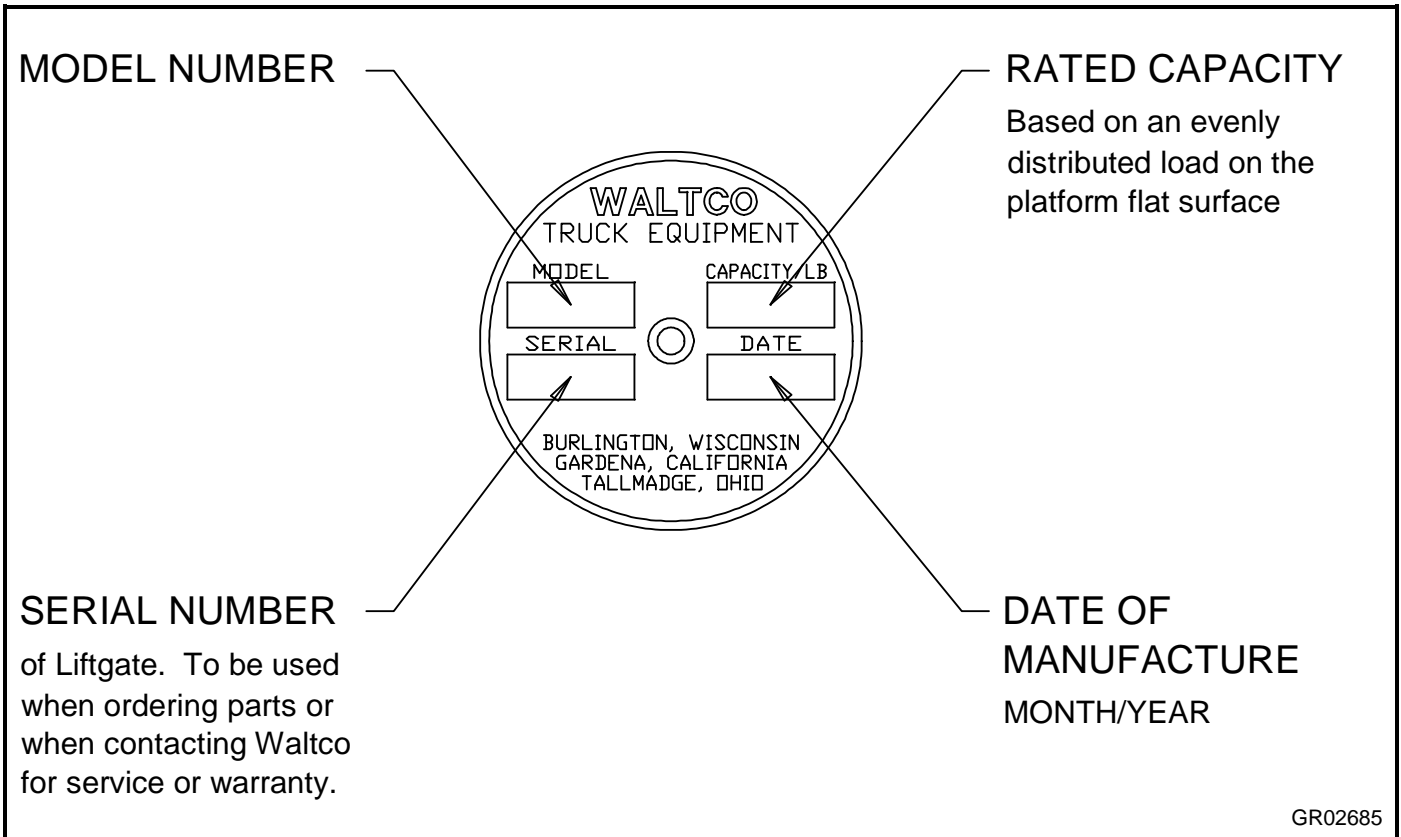
Chapter 2 Liftgate Terminology

- | | |
|--------------------|------------------------|
| 1. Deck | 10. Pump unit box |
| 2. Deck extension | 11. Identification tag |
| 3. Loading ramp | 12. Switches |
| 4. Platform Handle | 13. Slide tube |
| 5. Mount tube | 14. Mount angles |
| 6. Lift cylinder | 15. Torsion assistance |
| 7. Lift arm | 16. Up-stops |
| 8. Parallel arm | |
| 9. Battery box | |



Chapter 2 Liftgate Terminology

EXPLANATION OF SPECIFICATION TAG		
MODEL NO.	DESCRIPTION	CAPACITY
GT33	GT-33 SLIDER LIFTGATE	3300 LBS.
GT44	GT-44 SLIDER LIFTGATE	4400 LBS.
GT55	GT-55 SLIDER LIFTGATE	5500 LBS.



Chapter 5 Placement of Decals


To order complete set of GT-Series liftgate decals, order kits below:

GT-33 = Kit part number 80002238


GT-44 = Kit part number 80002239

GT-55 = Kit part number 80002240

Chapter 5 Placement of Decals

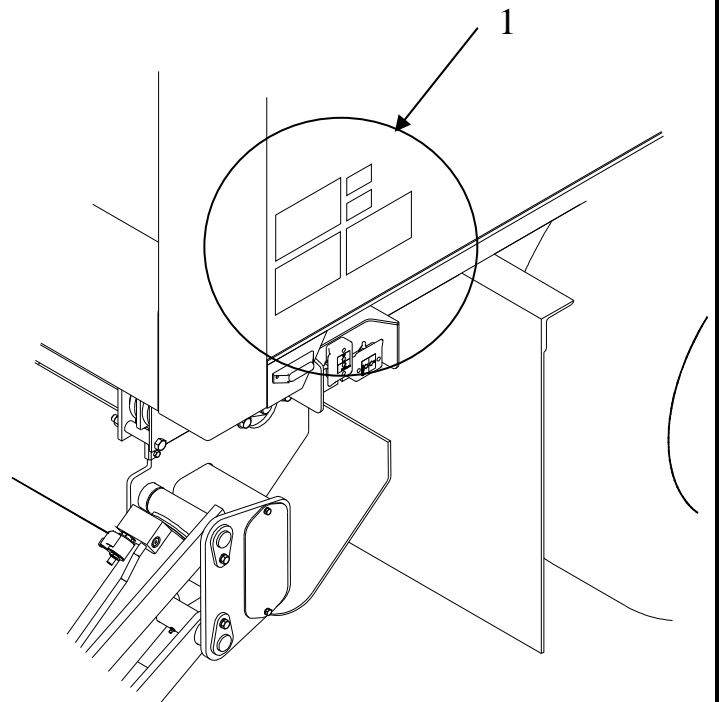
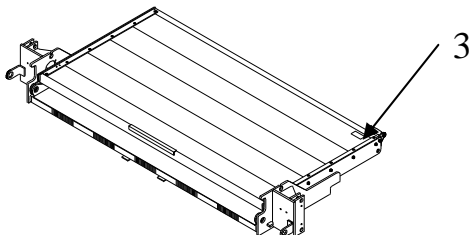
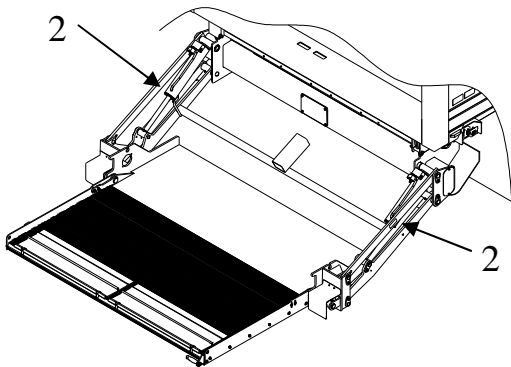
 All decals must be in place and legible or all warranties are void.

DECAL CHART

AREA	DECAL	QTY	PART NUMBER	LOCATION
1	3300 lb Capacity or	1	80100585	Locate in a conspicuous place near controls.  If your liftgate is equipped with dual controls, an additional Safety Instruction decal (80100850) is to be placed in a conspicuous place near the second set of the controls. Refer to the following diagram showing decal locations.
	4400 lb Capacity or		80100587	
	5500 lb Capacity		80101308	
	Operation Decal	1	80101445	
	Safety Decal	1	80100850	
	Stand Clear	1	75089296	
	Hazard	1	80101370	
2	3300 lb Capacity or	2	80100585	Locate on parallel arms
	4400 lb Capacity or		80100587	
	5500 lb Capacity		80101308	
	Stand Clear		75089296	
3	Use Handle Decal	1	75089295	Locate next to handle on platform extension

To maximize decal adhesion to surfaces:

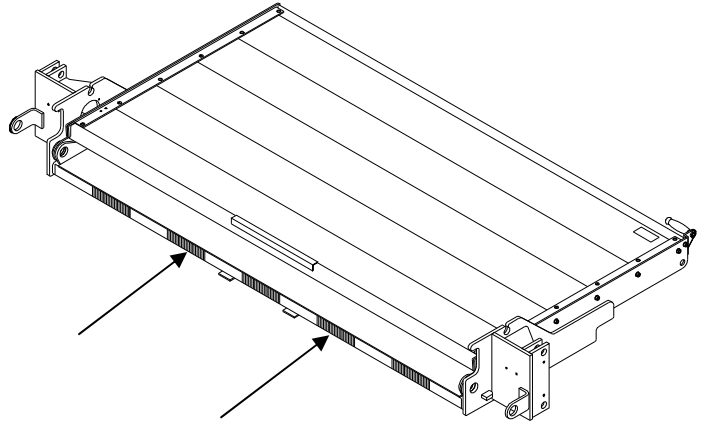
- Surface must be dry and clean
- Firm pressure must be applied to decal
- Minimum surface temperature 65°
Heat gun may be used to heat surface



Chapter 5 Placement of Decals

CONSPICUITY TAPE

Conspicuity tape is attached to Main Deck Tube as shown.



ITEM	PART NUMBER	QTY	DESCRIPTION
1	27811000	1	MAIN DECK, STEEL, FOR 70X80
	27811001		MAIN DECK, RHINO, FOR 70X80
	27811002GV ^F		MAIN DECK ASSY, 70X80, BOLT-ON SKIN, GALV
	27811010		MAIN DECK, STEEL, FOR 80X80
	27811011		MAIN DECK, RHINO, FOR 80X80
	27810019GV ^E		MAIN DECK ASSY, 80X80, BOLT-ON SKIN, GALV
2	27813140	1	DECK EXT ASSY, 2 PIECE RAMP, FOR 70X80
	27813140GV		DECK EXT ASSY, 2 PIECE RAMP, FOR 70X80 GALV
	27813150		DECK EXT ASSY, 2 PIECE RAMP, FOR 80X80
	27813150GV		DECK EXT ASSY, 2 PIECE RAMP, FOR 80X80 GALV
3	27813145	1	DECK EXT ASSY, ONE PIECE RAMP, FOR 70X80
	27813145GV		DECK EXT ASSY, SINGLE PIECE RAMP, FOR 70X80 GALV
	27813155		DECK EXT ASSY, ONE PIECE RAMP, FOR 80X80
	27813155GV		DECK EXT ASSY, SINGLE PIECE RAMP, GALV, FOR 80X80
4	27819075	2	SPRING SPACER
5	27819080	2	SPRING, PLATFORM
6	27819100	1	HINGE PIN, CS
7	27819200	1	HINGE PIN, DS
8	27863100	2	UPSTOP ASSEMBLY
9	39035700	2	UPPER RUNNER BEARING
10	7500010-48	2	HEX BOLT, 5/8-11X3-1/4" LG GR8 YELLOW ZINC
11	75085012	4	HEX NUT, 5/8-11
12	75085177	4	LOCK NUT, 5/16-18
13	75085193	4	LOCK NUT, 3/8-16
14	75086217	4	HEX BOLT, 5/16-18X1-1/4" GR 8

ITEM	PART NUMBER	QTY	DESCRIPTION
15	75086872	4	BUTTON HEAD, 3/8-16X1-1/4"
16	75086874	4	SCREW, 1/4-20X5/8" HEX HEAD TYPE F SELF TAPPING
17	75088085	4	LOCK WASHER, 5/8"
18	27813998 ^B	2	FLIP RAMP, DUAL
19	27813982 ^B	1	HINGE PIN, LONG
20	27813983 ^B	4	HINGE PIN, CRIMPED
21	27813985 ^B	4	HINGE BLOCK
22	75090178 ^{AB}	1	HANDLE, VINYL
23	27813820 ^{AD}	1	FLIP RAMP, SINGLE
24	27814050 ^{AD}	1	HINGE, SINGLE RAMP, DS
25	27814000 ^{AD}	1	HINGE, SINGLE RAMP, CS
26	75085992 ^{AD}	6	FLAT HEAD SOCKET SCREW, 3/8-16X3/4"
27	75085188 ^{AD}	6	LOCK NUT, 3/8"
28	75089306 ^{AD}	2	GREASE ZERK
29	7500019-4 ^{AD}	1	SOCKET HEAD SHOULDER SCREW, 3/8"X5/16-18
30	42669299 ^{AD}	1	PUCK
31	75085007 ^{AD}	1	NUT, 5/16-18
32	75088061 ^A	2	WASHER, 1"
33	42668142 ^A	1	LATCH, FLIP RAMP
34	75089541 ^A	1	SPRING PIN, 1/4"X1-7/8"
35	27863150 ^C	2	UPSTOP WELDMENT
36	34427307 ^C	2	UPSTOP PAD
37	75086854 ^C	4	SCREW, 1/4-20X5/8" PAN HEAD TYPE F SELF TAPPING
38	75085193 ^A	2	LOCK NUT, 3/8-16
39	75086218 ^A	1	HEX BOLT, 3/8-16X1-1/4" GR 8

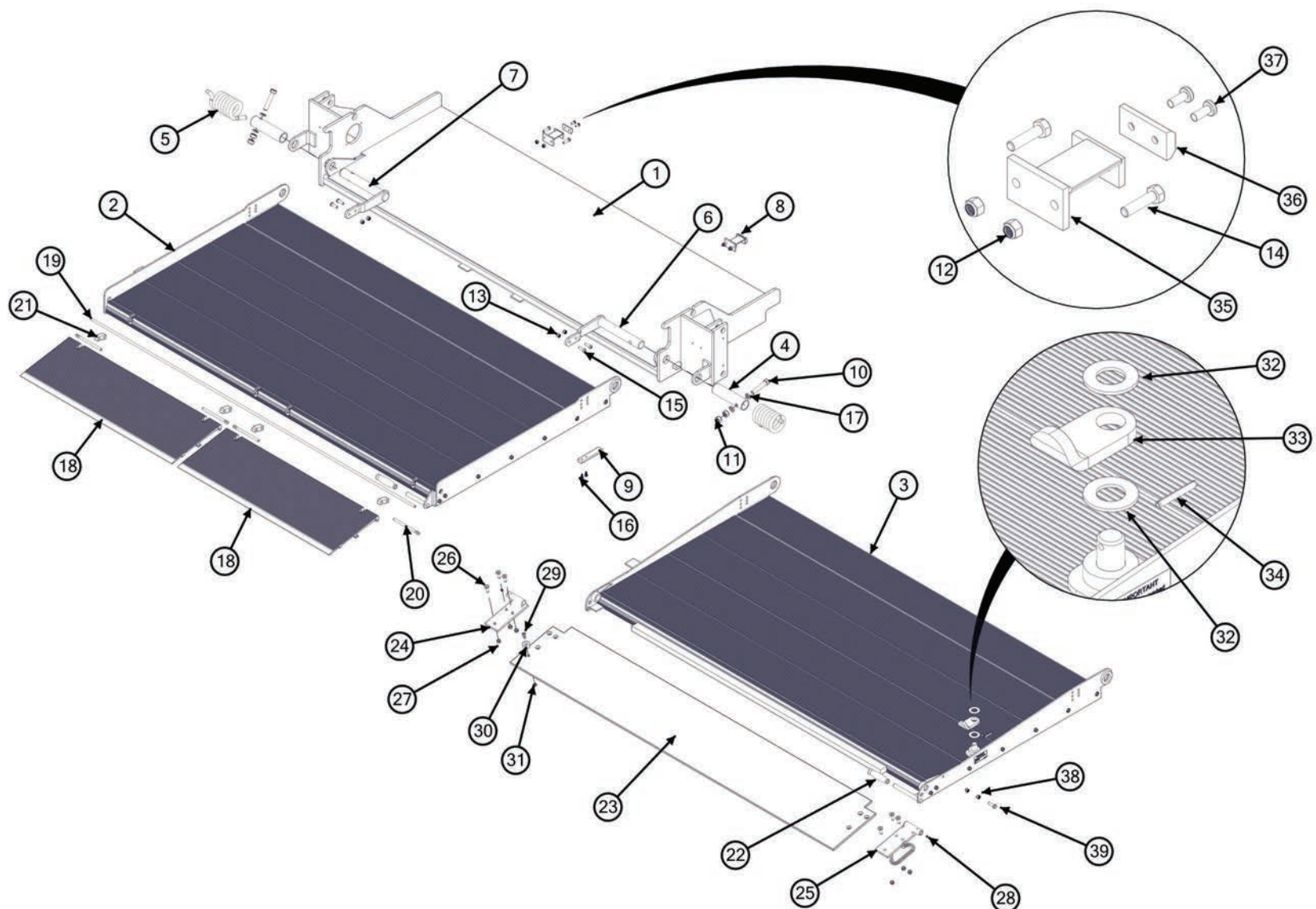
- ^A Parts are included in Single Ramp Deck Ext Assembly
^B Parts are included in Dual Ramp Deck Ext Assembly
^C Parts are included in Upstop Assembly 27863100
^D Parts are included in Single Flip Ramp Assembly 27813200
^E Bolt-On Deck Skin only 27811426GV
^F Bolt-On Deck Skin only 27811421GV

WALTCO
Lift Corp
GT-33/44/55

REVISED: 4/30/2015
E.O. 7642B
REV. 02

PM-897

Platform



WALTCO
Lift Corp
GT-33/44/55

REVISED: 4/30/2015
E.O. 7642B
REV. 02

PM-897

ITEM	PART NUMBER	QTY	DESCRIPTION
1	27862200	1	TRACK FRAME, SHORT LENGTH, 64"
	27862200GV		TRACK FRAME, SHORT LENGTH, GALV
	27862300		TRACK FRAME, MID LENGTH, 66 3/4"
	27862300GV		TRACK FRAME, MID LENGTH, GALV
	27862400		TRACK FRAME, LONG LENGTH, 72 3/4"
	27862400GV		TRACK FRAME, LONG LENGTH, GALV
2	27564070	1	PLATE, DECAL MOUNTING
	27564070ZN		PLATE, DECAL MOUNTING (ZINC PLATED)
3	27567110	1	MOUNT ANGLE WELDMENT CS CANADIAN UNDERRIDE
	27567320		MOUNTING ANGLE C.S.
	27867120		MOUNT BRACKET, CANADIAN UNDERRIDE, 5500, CS
	27867320		MOUNT BRACKET WELD, 5500, CS
4	27567120-2	1	DS MOUNT ANGLE CANADIAN UNDER RIDE
	27567330		D.S. MOUNT ANGLE
	27867130		MOUNT BRACKET, CANADIAN UNDERRIDE, 5500, DS
	27867330		MOUNT BRACKET WELD, 5500, DS
5	27869130	2	TRACK COVER
6	27865101	2	MOUNT FRAME STOP
7	7500010-44	2	HEX BOLT, 1/2-13X4-1/2, GR8
8	75082881	1	HOSE CLAMP, INSULATED 3/8"
9	75085000	1	HEX NUT, #10-32. SERRATED
10	75085162	2	LOCK NUT, NYLON 1/2-13
11	75085115	12	NYLOCK NUT, 9/16-18
12	75085161	6	LOCK NUT, NYLON 1/4-20
13	75086006	2	HEX BOLT, 1/4-20X1.0
14	75086008	4	HEX BOLT, 1/4-20X1-1/2
15	75086202	6	HEX BOLT, 9/16-18X1-3/4, GR 8

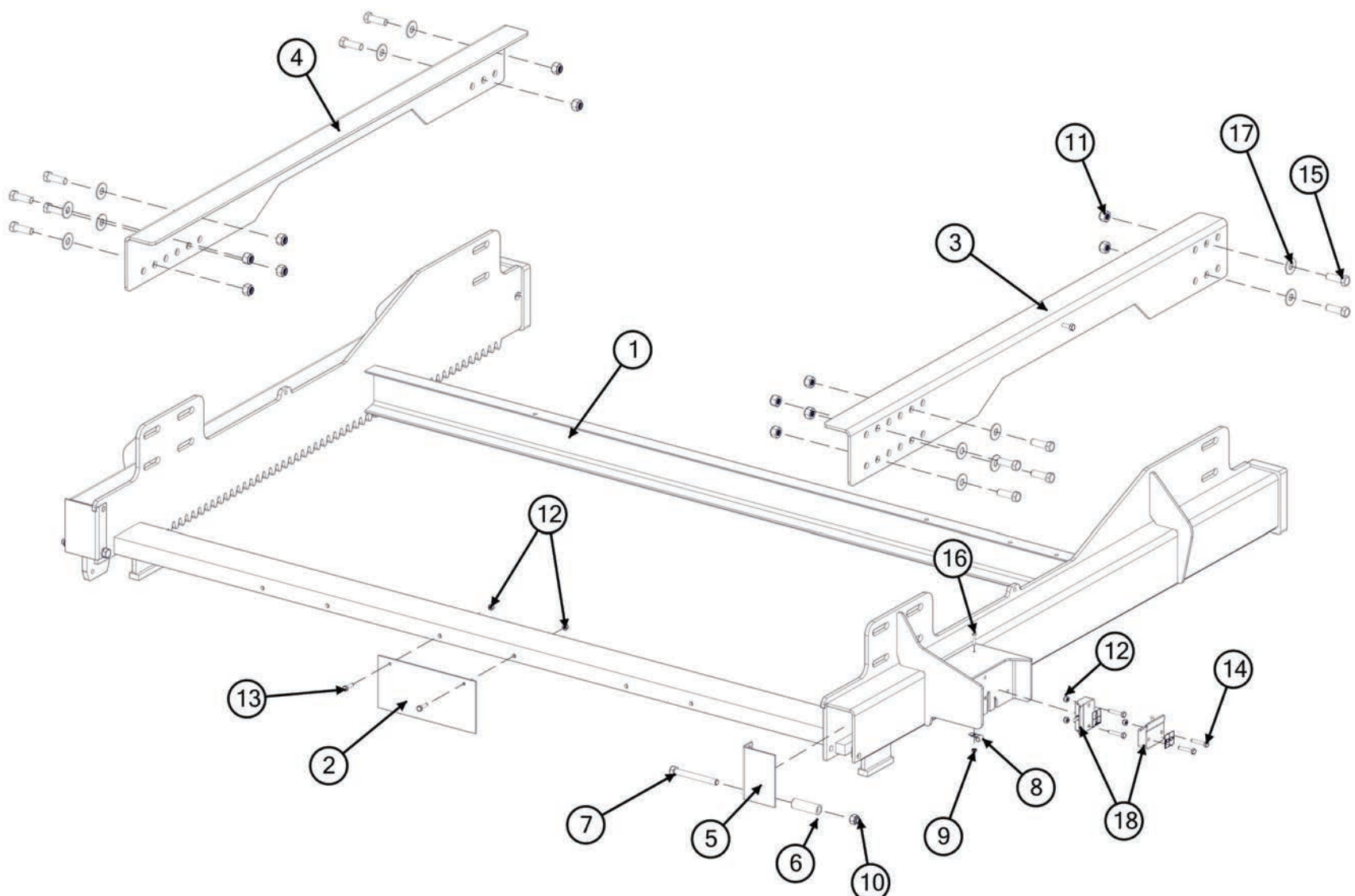
ITEM	PART NUMBER	QTY	DESCRIPTION
16	75086732	1	ROUND HEAD SCREW, #10-32X1
17	75088065	12	WASHER, 9/16"
18	27897070	1	GT, PRIMARY TOGGLE CONTROL HARNESS

WALTCO
Lift Corp
GT-33/44/55

REVISED: 4/30/2015
E.O. 7642B
REV. 02

PM-898

TRACK FRAME



WALTCO
Lift Corp
GT-33/44/55

REVISED: 4/30/2015
E.O. 7642B
REV. 02

PM-898

ITEM	PART NUMBER	QTY	DESCRIPTION
1	27891550	1	PUMP BOX LID ASSY
	27891500GV		PUMP BOX LID ASSY, GALV
2	27391301	2	HOLD DOWN, POWER UNIT COVER
3	27820800	2	COVER PLATE, MOUNT TUBE
4	27822000	1	MOUNT FRAME, GT
	27822002GV		MOUNT FRAME, GT, GALV
5	27821285	2	STOP BUMPER & GUIDE
6	27821290	2	STOP BUMPER
7	27821261	1	GASKET, ACCESS COVER
8	27821265	1	ACCESS COVER
	27821265GV		ACCESS COVER, GALV
9	27831100	1	LIFT ARM, SHORT
	27831100GV		LIFT ARM, SHORT, GALV
	27831110		LIFT ARM, LONG
	27831110GV		LIFT ARM, LONG, GALV
10	27851070	2	PARALLEL ARM, SHORT
	27851070GV		PARALLEL ARM, SHORT, GALV
	27851080		PARALLEL ARM, LONG
	27851080GV		PARALLEL ARM, LONG, GALV
	27851270		PARALLEL ARM, SHORT CAN UNDER
	27851270GV		PARALLEL ARM, SHORT CAN UNDER, GALV
	27851280		PARALLEL ARM, LONG CAN UNDER
	27851280GV		PARALLEL ARM, LONG CAN UNDER, GALV
11	27865200	1	BEARING ASSY
12	27866535 ^{AB}	8	WHEEL ASSY
13	27869000	1	HYDRAULIC MOTOR
14	27866000	1	DRIVE SHAFT
	27866000ZN		DRIVE SHAFT, ZINC
15	27866400	2	PINION ADJUSTER
16	27870800	2	PIN WELDMENT 1"X1-7/8" LG.
17	27880020	2	GT LIFT CYLINDER
18	27871002	2	PIN WELDMENT 1DIA X 4-15/32 LG
19	75085002	8	1/4-20 S.S. NYLOK NUT

ITEM	PART NUMBER	QTY	DESCRIPTION
20	7500010-21	8	HEX BOLT, 1/4-20X1, GR 8
21	75088053	10	WASHER, 3/8"
22	75088081	10	LOCK WASHER, 3/8
23	75086055	10	HEX BOLT, 3/8-16X3/4 GR 5
24	27895100	4	PIN WELDMENT 1.25 DIA X 7-5/8
25	27895200	2	PIN WELDMENT 1 DIA X 7.75 LG
26	75085003	6	HEX NUT, 5/16-18, SERRATED
27	75085201	4	HEX NUT, 1/2-13, TOP LOCK
28	75088067	4	WASHER, 1/2"
29	75088052	6	WASHER, 5/16"
30	7500010-41	2	HEX BOLT, 1/2-13X1-1/2", GR 8
31	7500009-9	2	SHCS, 1/2-13 X 1-3/4
32	75086065	4	HEX BOLT, 5/16-18X3/4 GR 5
33	75088080	4	LOCK WASHER, 5/16
34	75001013 ^{AB}	8	1-1/4" RETAINING RING
35	75088073 ^{AB}	8	THRUST WASHER
36	10010197	8	BEARING 1.25IDX1.38OD, 0.563"
37	10010183	1	BEARING 1.00IDX1.25OD, 1.250"
38	10010140	4	BEARING, 1.00IDX1.25OD, 1.000"
39	10010189	4	BEARING, 1.25IDX1.50OD, 1.000"
40	85803391	4	BEARING, 1.00IDX1.25OD, 1.000"
41	10010142	2	BEARING, 1.00IDX1.25OD, 0.750"
42	10010162	2	BEARING, 1.25IDX1.50OD, 0.750"
43	10010189	4	BEARING, 1.25IDX1.50ODX1.0,
44	75086876	4	BUTTON HEADSOCKET SCREW 1-4-20X3/4
45	75088079	4	LOCK WASHER, 1/4
46	75089306	4	GREASE ZERK, 1/4-28 TAPER

^A 80002245 Kit, Wheel Replacement (1 wheel)

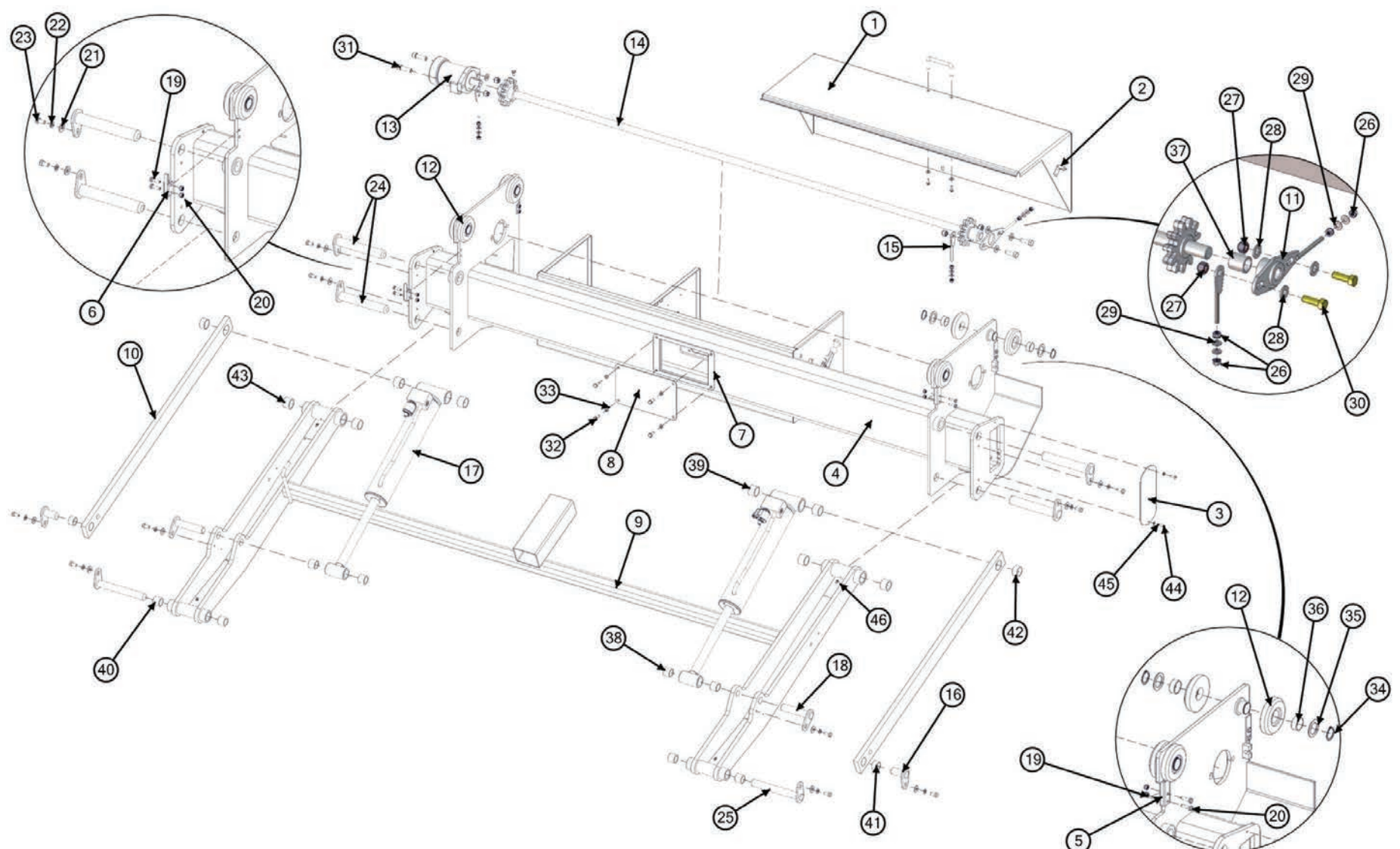
^B 80002246 Kit, Wheel Replacement (8 wheels)

WALTCO
Lift Corp
GT-33/44/55

REVISED: 04/30/2015
E.O. 7642B
REV. 02

PM-899

MOUNT FRAME



WALTCO
Lift Corp
GT-33/44/55

REVISED: 04/30/2015
E.O. 7642B
REV. 02

PM-899

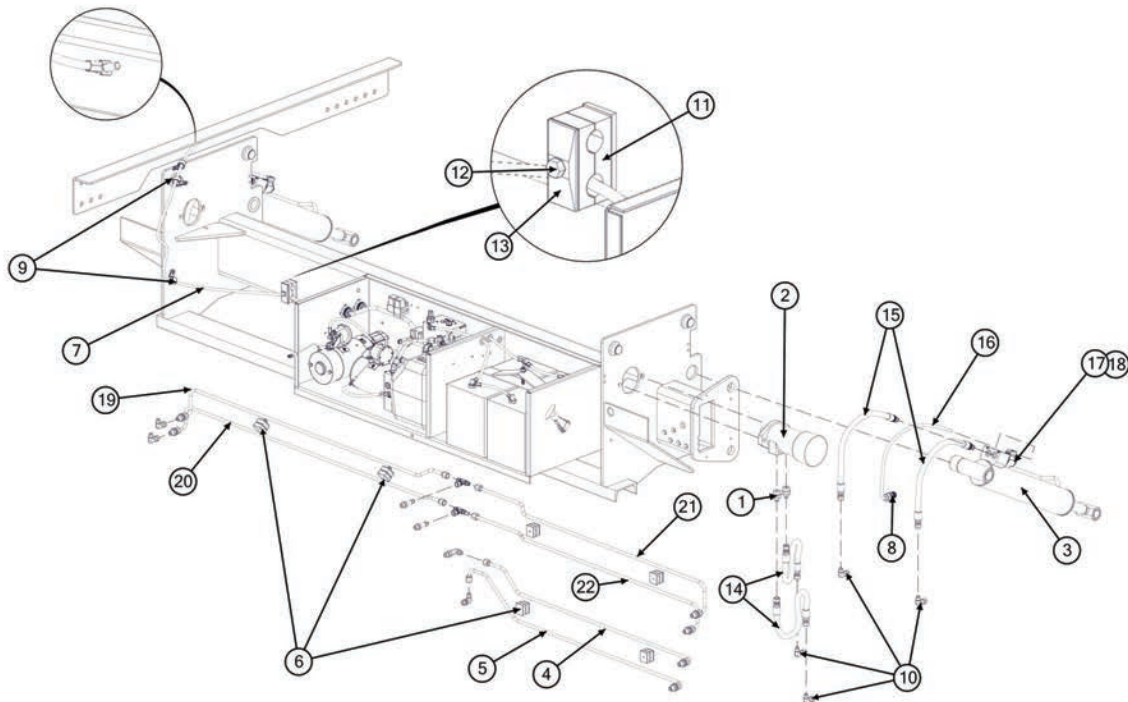
ITEM	PART NUMBER	QTY	DESCRIPTION			
1	75083319	2	ADAPTER, 7/8SAE TO 9/16JIC			
2	27869000	1	HYDRAULIC MOTOR			
3	27880020	2	GT LIFT CYLINDER			
4	27884091	1	IN/OUT-BREAK TUBE			
5	27884101	1	IN/OUT TUBE			
6	27884150	6	TUBE CLAMP MIDSTATE			
7	10195112BK	1	BATT. CABLE ASY 112			
8	75050008	2	CABLE CLAMP, BULKHEAD			
9	75083042	3	CABLE CLAMP 7/8"			
10	75083028	6	ELBOW, 90 DEGREE SWIVEL 9/16M JICX9/16F JIC			
11	75083315	1	PARKLAMP TWIN CLAMP, 1/2" DIA			
12	75083313	1	PARKLAMP COVER PLATE, TWIN			
13	75083314	1	PARKLAMP BOLT, 5/16-18X1-3/8"			
14	7500109-1	2	HOSE, 1/4"X15-1/2"LG. 3250 WP SAE100R1 3/8" JICF X 3/8" JICF			
15	7500110-1	4	HOSE, 1/4"X19"LG. 3250 PSI WP 3/8 JICFX1/4 SAE O-RING			
16	27897030	2	LOCK VALVE HARNESS			
17	27581036	2	LOCK VALVE, COIL			
18	22781502	2	LOCK VALVE COMPLETE			
19	27884051	1	C.S. RAISE TUBE			
20	27884061	1	C.S. LOWER TUBE			
21	27884071	1 </tr <tr> <td>22</td> <td>27884081</td> <td>1</td> <td>D.S. LOWERING TUBE</td> </tr>	22	27884081	1	D.S. LOWERING TUBE
22	27884081	1	D.S. LOWERING TUBE			

WALTCO
LIFT CORP
GT-33/44

REVISED: 12/18/2014
E.O. 6838A
REV. 01

PM-900

HYDRAULIC AND ELECTRIC LAYOUT



WALTCO
LIFT CORP
GT-33/44

REVISED: 12/18/2014
E.O. 6838A
REV. 01

PM-900

ITEM	PART NUMBER	QTY	DESCRIPTION
1	10195509BK	1	BATT. CABLE ASY, 9" 1GA NEG.
2	10195509RD	1	BATT. CABLE ASY, 9" 1GA POS.
3	10195528BK	1	BATT. CABLE ASY, 28" 2GA NEG.
4	10195538RD	1	BATT. CABLE ASY, 38" 2GA POS.
5	27884010 ^A	1	SECONDARY PUMP SUCTION LINE
6	27884020 ^A	1	SECONDARY PUMP PRESSURE LINE
7	27884030	1	RETURN TUBE
8	27884040	1	PRIMARY PRESSURE LINE
9	27891000	1	PUMP BOX
	27891005GV	1	PUMP BOX, GALV, RIVET ASSY
10	27897000	1	MAIN WIRING HARNESS
11	42669036	1	BATTERY HOLD ASSY DUAL
12	42669079	1	THREADED ROD, 3/8-16 X 12"L ZINC-PLATED
13	70427800	1	PRIMARY PUMP
14	70427850 ^A	1	SECONDARY PUMP
15	70427875	1	VALVE BLOCK, GT POWER DOWN
	70427880	1	VALVE BLOCK, GT GRAVITY DOWN
16	7500081-1	2	TEE,#6 JICM X #6 JICM X #6 JICF BRANCH 6 SGX
17	7500090-2	2	LONG STRAIGHT THREAD CONNECTOR #6 SAE O-RING M TO #6 JICM
18	75082869	3	ELBOW, 90°, 9/16-18 37° MALE X 9/16"-18"O"RING
19	75085096	2	HEX NUT, 3/8-16, GR 2
20	75086055	2	HEX BOLT, 3/8-16X3/4 GR 5
21	75088081	6	LOCK WASHER, 3/8"
22	75088265	2	STRT THRD CONNCTR, #8 SAE O-RING-#8 SAE JIC 37 FL
23	90908980	1	CARTRIDGE, 4 WAY, 3 POS
24	90908981	1	CARTRIDGE, 4 WAY, 3 POS POWER DOWN
	99533933	1	CARTRIDGE, 3-WAY/2-POS VALVE GRAVITY DOWN
25	91160931	4 ^B	COIL, HIGH WATT, 10VDC, 25WATT MALE TERM

ITEM	PART NUMBER	QTY	DESCRIPTION
26	75089872 ^A	1	SWITCH, TOGGLE SPST, IP67,W/QD MCMMASTER 7172K21 W/QD OR EQUIV
27	75089313	2	GROMMET, .5ID X 13/16GD REPLACES THE 90435989
28	75089322	1	GROMMET, 5/16 ID
29	75086062	4	HEX BOLT, 1/4-20X3/4 LG GR. 5 PLATED
30	75088079	4	LOCK WASHER, 1/4 PLATED
31	7500108-1	1	HYDRAULIC PLUG 6 HP50N-S
32	85803921	2	RELAY, 12 VOLT/30 AMP MAX.
33	27391301	2	HOLD DOWN, POWER UNIT COVER
34	75082882	1	ADAPTER,#6 SAE ORB X #6 JIC
35	7500099-1	2	EXTENDED 90 BEND 6 CC50X-S #6 O-RINGM TO #6 JIM
36	75086056	2	HEX BOLT, 3/8-16X1, GR 5 PLATED
37	75082866	2	ELBOW, 45°, MALE, 9/16-18 37"X 9/16"-18"O" RING.
38	10099501	1	TERMINAL LINK, 90°
39	10195112BK	1	BATT. CABLE ASY, 112
40	75050009	1	CABLE CLAMP, BULKHEAD
41	75086720	4	SCREW,#5-40X1/2" ,ROUND HEAD PLATED
42	75072160	4	NUT, 5-40, PLATED

^A OPTIONAL – DUAL PUMP OPTION

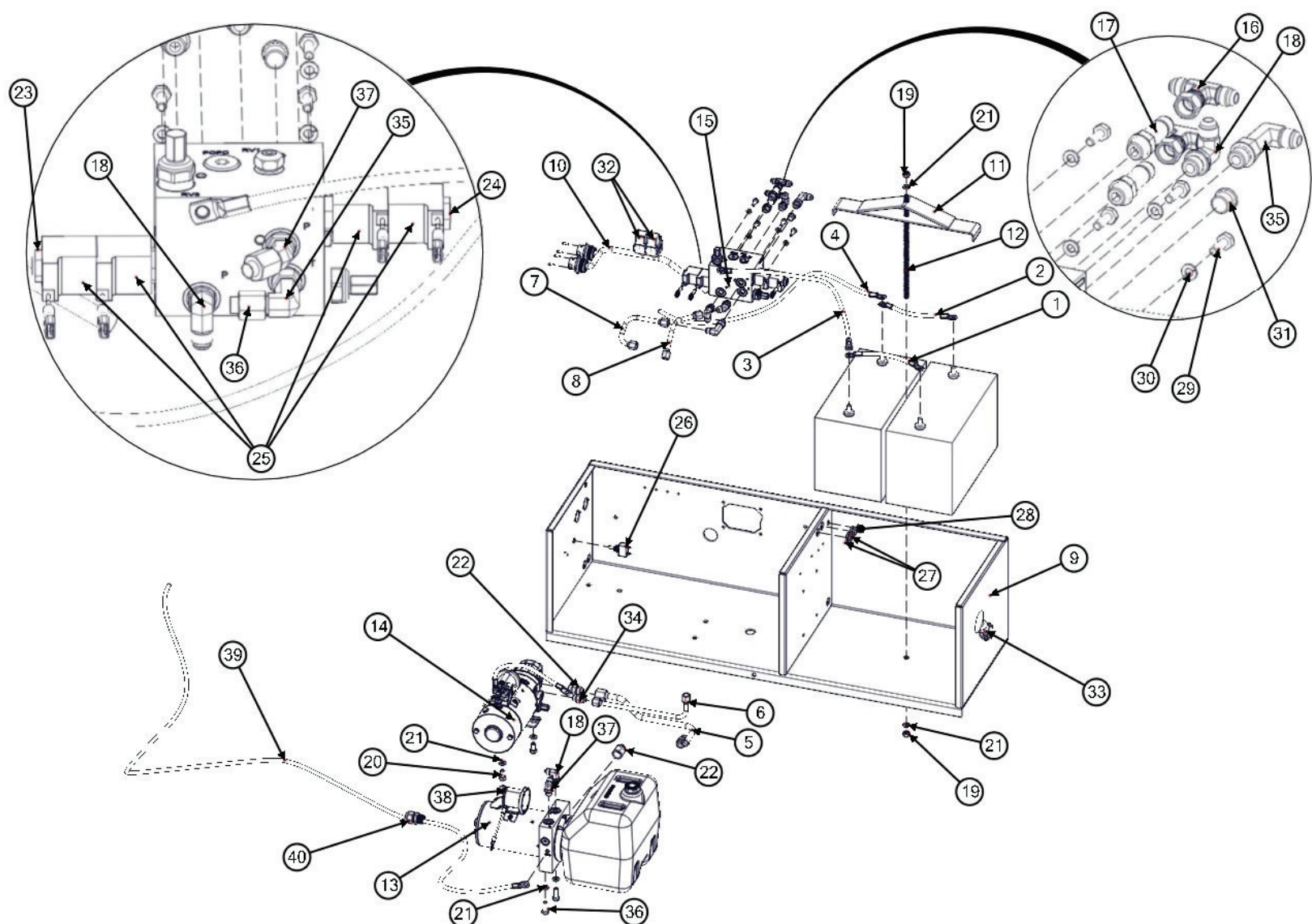
^B QTY IS 3 WITH GRAVITY DOWN POWER UNIT

WALTCO
LIFT CORP
GT-33/44/55

REVISED: 04/30/2015
E.O. 7642B
REV. 02

PM-901

PUMP BOX



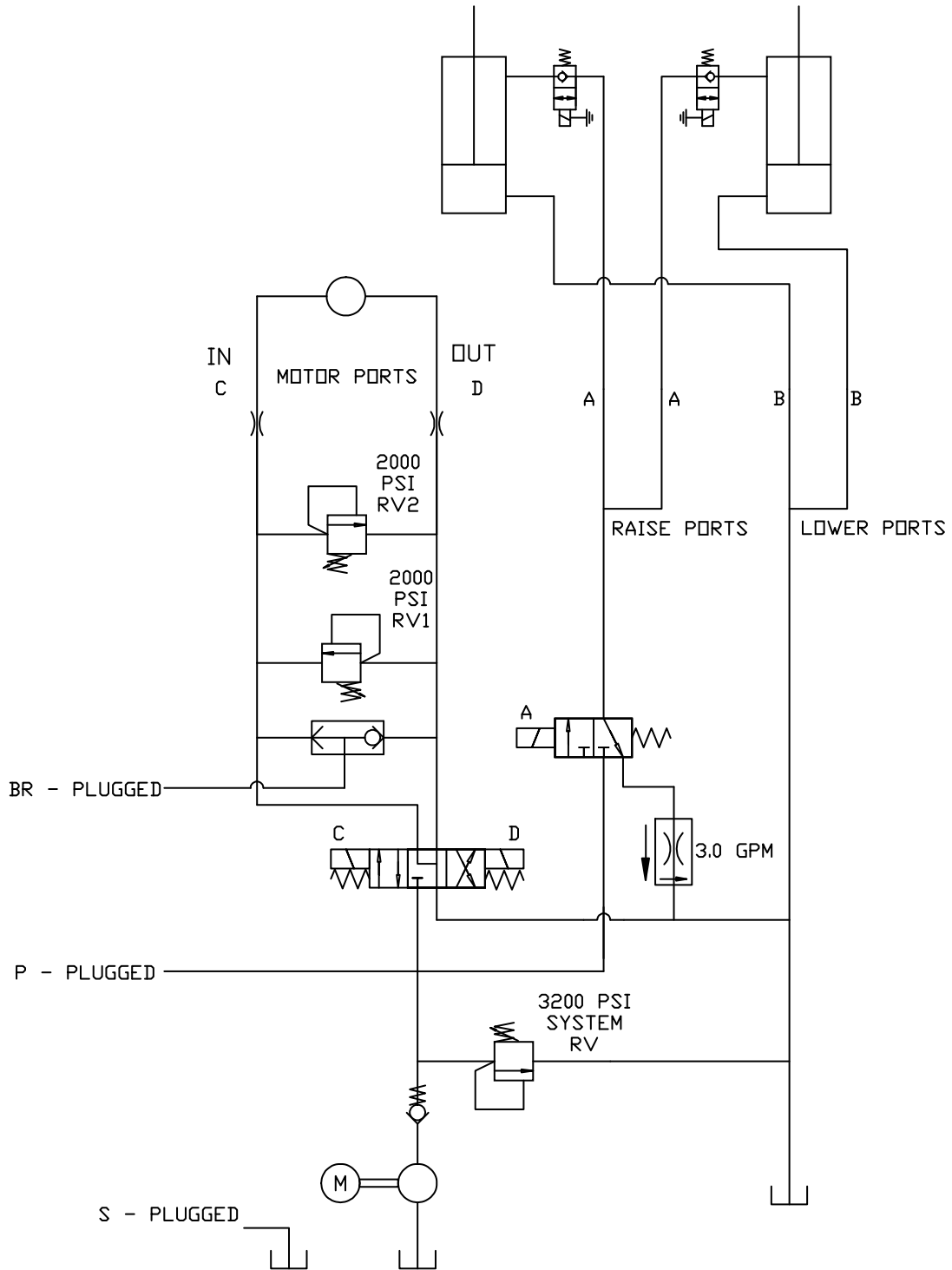
WALTCO
LIFT CORP
GT-33/44/55

REVISED: 04/30/2015
E.O. 7642B
REV. 02

PM-901

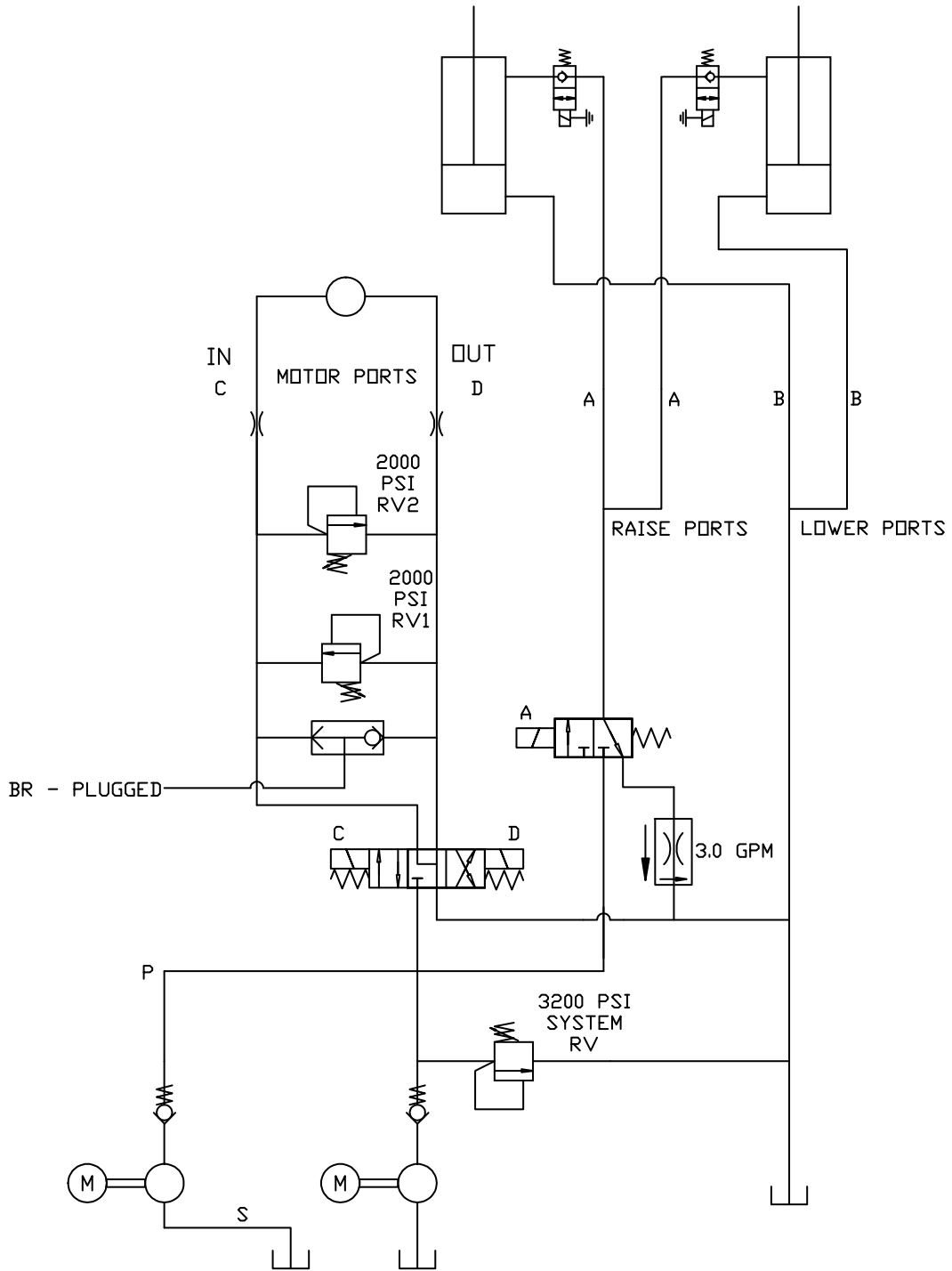
Chapter 7 Schematics

Hydraulic Schematic - Single Pump Gravity Down



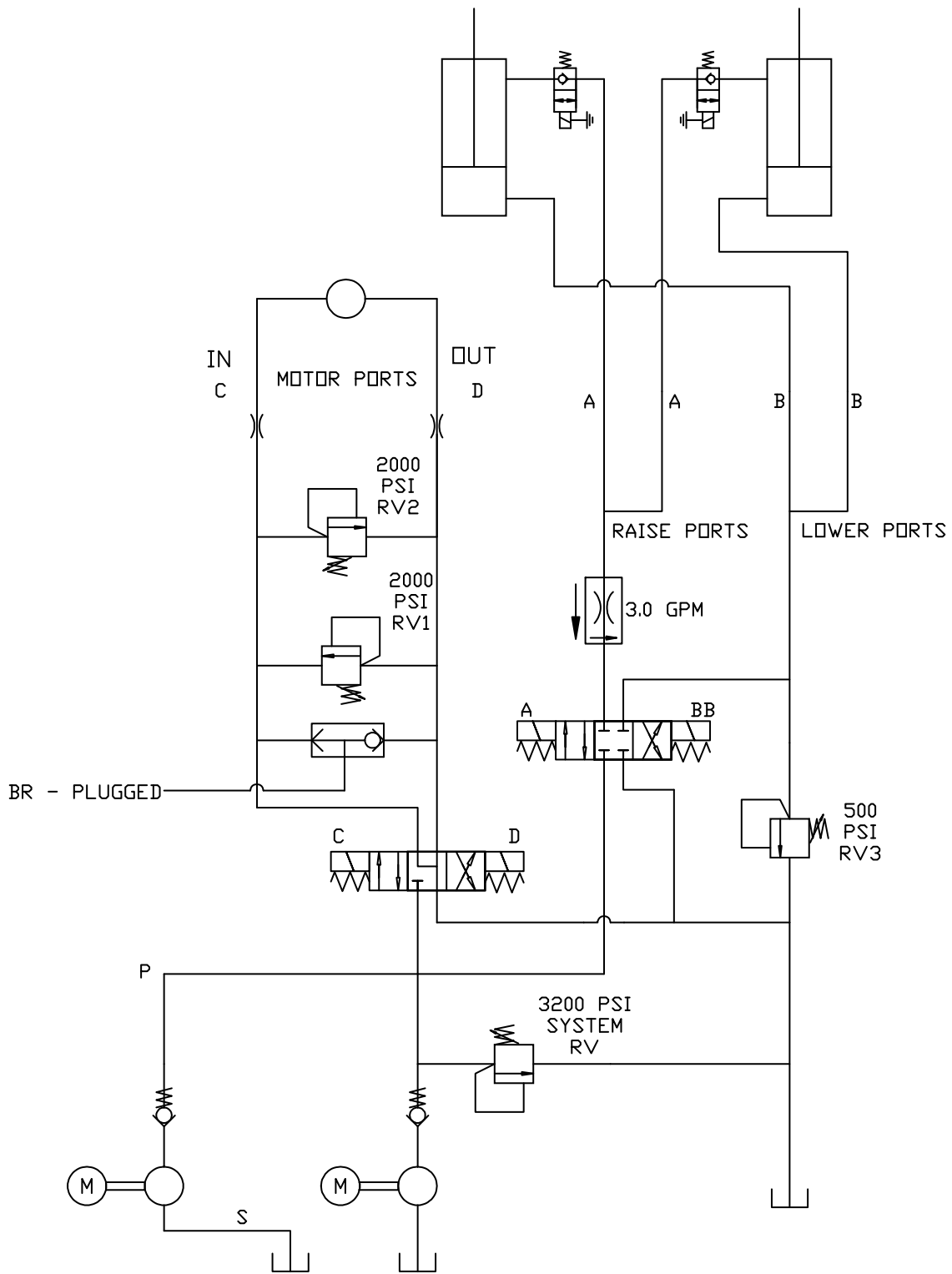
Chapter 7 Schematics

Hydraulic Schematic - Dual Pump Gravity Down



Chapter 7 Schematics

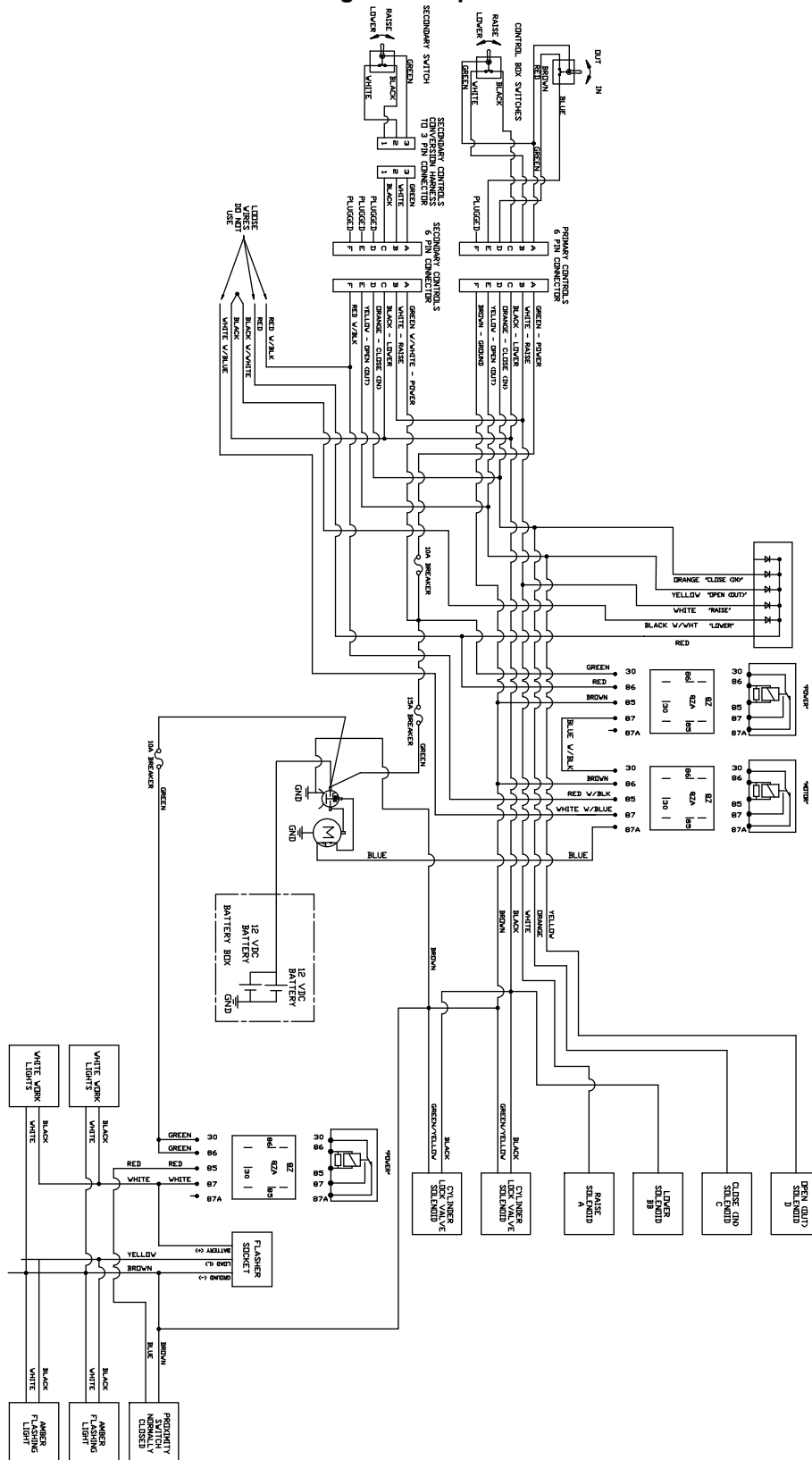
Hydraulic Schematic - Dual Pump Power Down



Chapter 7 Schematics

Electrical Schematic – Single Pump Power Down

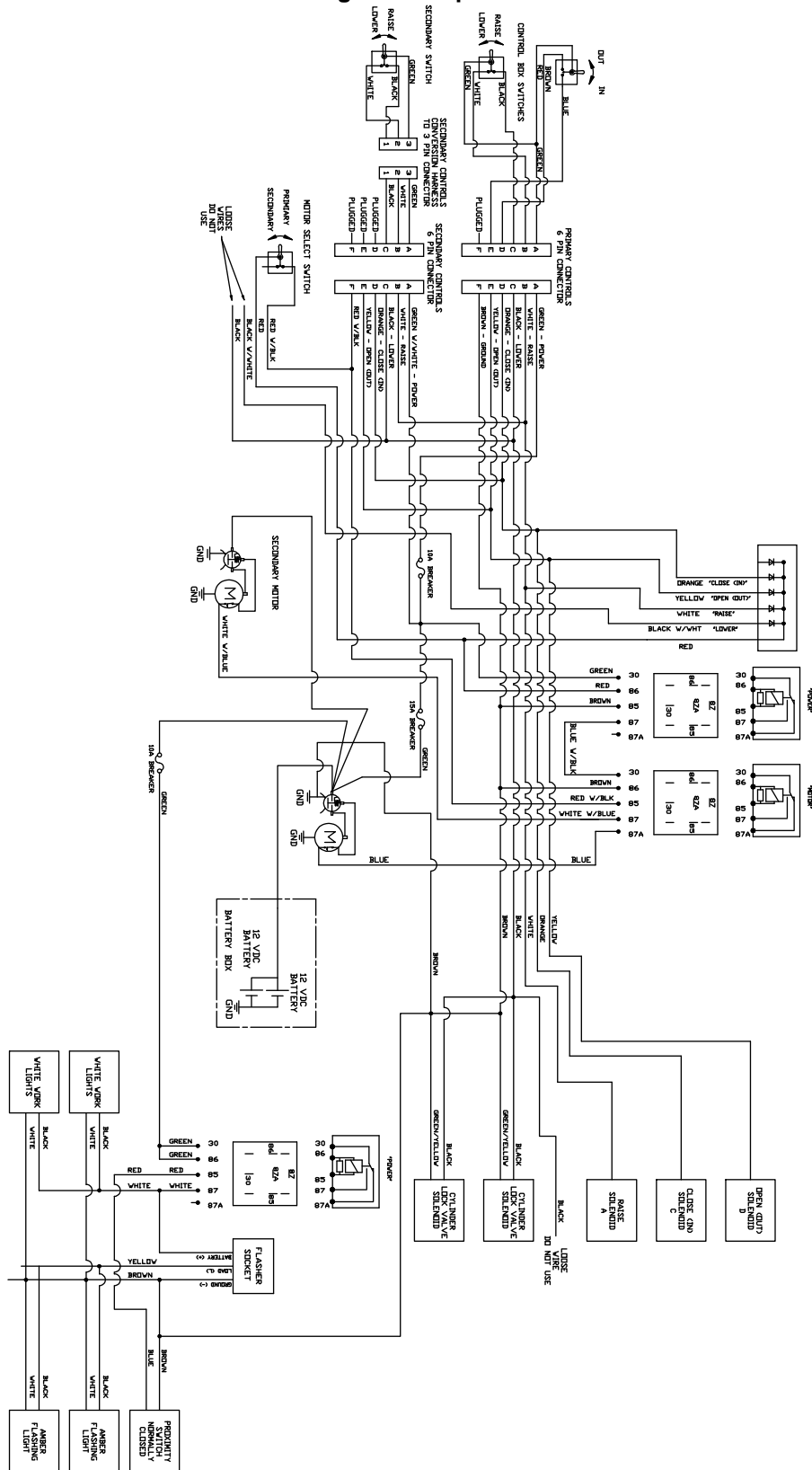
*Lights are Options



Chapter 7 Schematics

Electrical Schematic – Dual Pump Gravity Down

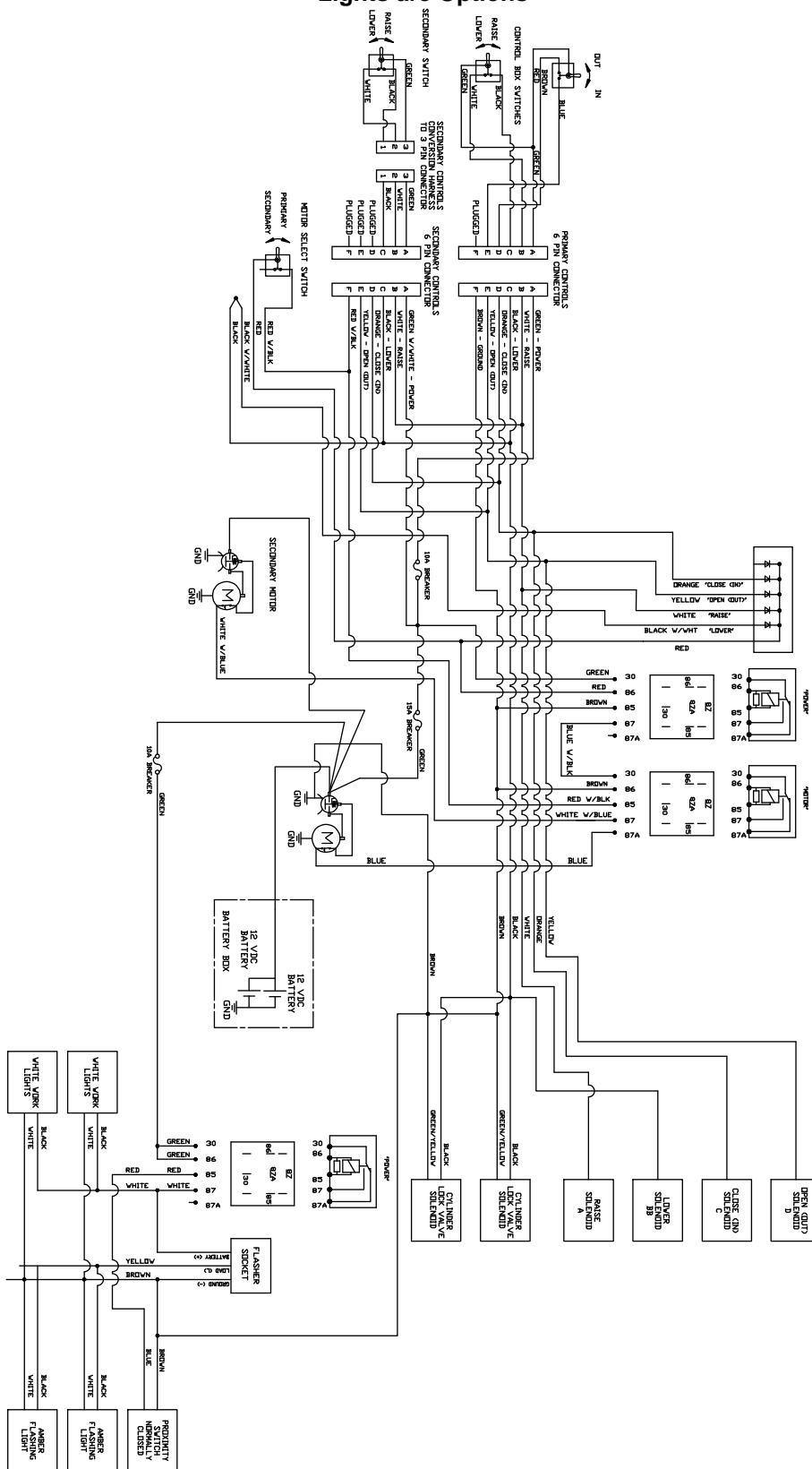
*Lights are Options



Chapter 7 Schematics

Electrical Schematic – Dual Pump Power Down

*Lights are Options



IMPORTANT

WARNING

Improper operation and maintenance of this liftgate could result in severe personal injury or death.

Read and understand the contents of liftgate Owner's manual and all warning and operation decals before operating and/or performing maintenance on this liftgate.

For SAFETY information on this liftgate see Chapter 1 of Owner's manual