

- en *Operator's Manual*
- es *Manual del Operario*
- fr *Manuel d'utilisation*



Manual Contents:

General Information.....	2
California Spark Arrester Warning.....	2
California Proposition 65.....	2
Operator Safety.....	2
Features and Controls.....	5
Operation.....	9
Maintenance.....	14
Storage.....	20
Troubleshooting.....	21
Specifications.....	22

General Information

For additional information, refer to the *Customer Contact Guide* included with the unit.

The illustrations in this document are representative. Your unit might look different from the images shown. *LEFT* and *RIGHT* are referenced from the operator's position.

The use of Important and Note in the text shows clarifications, exceptions, or alternatives to the procedures.

All language translations of this document derive from the initial English source file.



Recycle all packaging, used oil, and batteries according to applicable government regulations.

California Spark Arrester Warning



It is a violation of California Public Resource Code, Section 4442, to use or operate the engine on any forest-covered, brush-covered, or grass-covered land unless the exhaust system is equipped with a spark arrester, as defined in Section 4442, maintained in effective working order. Other states or federal jurisdictions may have similar laws. Contact the original equipment manufacturer, retailer, or dealer to obtain a spark arrester designed for the exhaust system installed on this engine.



WARNING Batteries, terminals, and related accessories contain lead and lead compounds, chemicals known to the State of California to cause cancer and birth defects or other reproductive harm. Wash hands after handling.

California Proposition 65



This product can expose you to chemicals including gasoline engine exhaust, which is known to the State of California to cause cancer, and carbon monoxide, which is known to the State of California to cause birth defects or other reproductive harm. For more information go to www.P65Warnings.ca.gov.

Operator Safety

Save these instructions for future reference. This manual contains safety information to make you aware of the hazards and risks associated with the product and how to avoid them. It also contains important instructions that must be obeyed during the initial set-up, operation, and maintenance of the product.

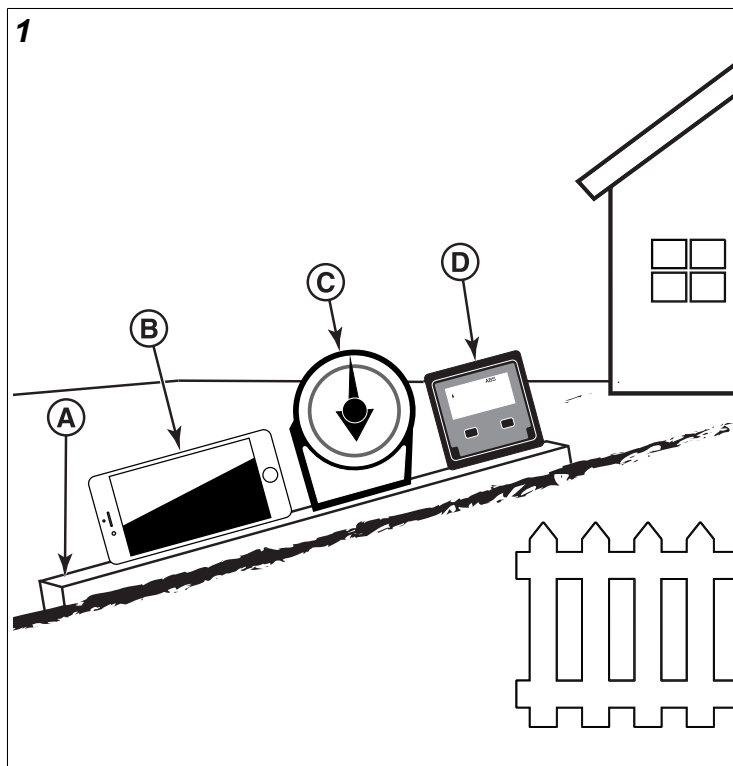
This product is designed and intended for cutting well maintained grass and is not intended for other purposes.

It is important that you read and understand these instructions before you attempt to start or operate this equipment.

Make sure that you are fully familiar with the controls and the correct use of the product.

Know how to stop the unit and disengage controls quickly.

Slope Identification Guide



How to measure the slope of a lawn surface with a smartphone or an angle finder tool:



WARNING

Do not operate on slopes greater than 10 degrees.

1. Use a straight edge at least two (2) feet long (A, Figure 1). A 2x4 or a straight piece of metal works well.
2. Angle finder tools.
 - a. **Use your smartphone:** Many smartphones (B, Figure 1) have an inclinometer (angle finder) located under the compass application (app). Or, search an app store for an Inclinometer app.
 - b. **Use angle finder tools:** Angle finder tools (C and D, Figure 1) are available at local hardware stores or online (also called inclinometer, protractor, angle meter, or angle gauge). Dial type (C) or digital type (D) work, others may not. Read and obey the user instructions supplied with the angle finder tool.
3. Put the two (2) feet long straight edge along the steepest part of the lawn slope. Put the board up and down the slope.
4. Lay the smartphone or angle finder tool on the straight edge and read the angle in degrees. This is the slope of your lawn.

Note: A paper gauge slope identification guide is included in your product literature packet and is also available to download from the manufacturer's website.

Safety Symbols and Meanings

Symbol	Meaning
	Safety information about hazards that can result in personal injury.
	Read and understand the Operator's Manual before you operate or service the unit.
	Remove the key and read the Operator's Manual before you service the unit.
	Stop
	Fire hazard
	Explosion hazard
	Shock hazard
	Toxic fume hazard
	Moving parts
	Wear eye protection.
	Hazardous chemical

Symbol	Meaning
	Hot surface hazard
	Amputation hazard
	Thrown objects hazard
	Keep a safe distance
	Keep children away
	Roll-over hazard
	Amputation hazard

Safety Alert Symbol and Signal Words

The safety alert symbol identifies safety information about hazards that can result in personal injury. A signal word (**DANGER**, **WARNING**, or **CAUTION**) is used with the alert symbol to indicate the likelihood and the potential severity of injury. In addition, a hazard symbol may be used to represent the type of hazard.

DANGER indicates a hazard which, if not avoided, **will** result in death or serious injury.

WARNING indicates a hazard which, if not avoided, **could** result in death or serious injury.

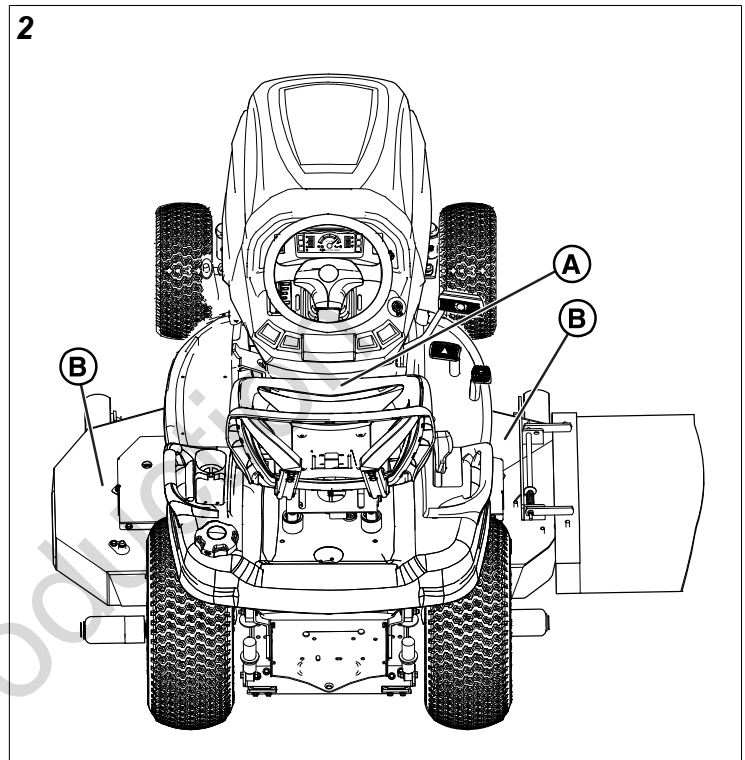
CAUTION indicates a hazard which, if not avoided, **could** result in minor or moderate injury.

NOTICE indicates information considered important but not hazard-related.

Safety Decal Locations

Before you operate the machine, read and understand the safety decals. Compare Figure 2 with the table that follows. The cautions and warnings are for your safety. To avoid a personal injury or damage to the machine, understand and obey all the safety decals.

If any safety decals become worn or damaged, and cannot be read, order replacement decals from your local dealer.




A

⚠ DANGER		
<p>Amputation hazard Rotating blades cut off arms and legs.</p> <ul style="list-style-type: none"> Stop the mower when children or others are near. Do not carry riders (especially children) even with the blades off. They may fall off or return for another ride when you are not expecting it. Look down and behind before and while backing. 	<p>Loss of control and roll-over hazard Operating on slopes can be hazardous and cause loss of control and roll-overs.</p> <ul style="list-style-type: none"> Avoid sudden turns or rapid speed changes. Reduce speed and use extreme caution on slopes. Go up and down slopes, NOT across. Do not operate on slopes over 10 degrees. If machine stops while going uphill, stop the blades and back down slowly. 	<p>Water, retaining walls and drop-off hazards Wheels dropping over edges may result in serious injury, death or drowning.</p> <ul style="list-style-type: none"> Do NOT operate near water, retaining walls or drop-offs. Give yourself a minimum of two mower widths of clearance around these hazards.
⚠ WARNING		
<p>Avoid serious injury or death Read the operator's manual before using this product.</p> <ul style="list-style-type: none"> Do NOT operate this machine unless you are trained. Know the location and function of all controls. Keep safety devices (guards, shields, switches, etc.) in place and working. Remove objects that could be thrown by the blade. 	<p>Fire hazard Gasoline is flammable. Yard debris is combustible.</p> <ul style="list-style-type: none"> Allow engine to cool for at least 3 minutes before refueling. Keep unit cleaned of debris. This equipment may create sparks that can start fires around dry vegetation. A spark arrester may be required. Contact local fire agencies for regulations relating to fire prevention requirements. 	


B

⚠ DANGER

Amputation and thrown objects hazard



- Keep hands and feet away from deck.
- Do not operate mower unless discharge chute or entire grass catcher is in its proper place.



7101665

Safety Messages



Read, understand, and obey all the instructions and warnings in the Operator's Manual and on the machine, engine, and attachments before you operate this machine. Failure to obey the safety instructions in this manual and on the equipment could result in death or serious injury.

- Only let operators who are responsible, trained and familiar with the instructions and physically capable to operate the machine.
- Do not operate the machine while under the influence of alcohol or drugs.
- Wear safety glasses and closed toe footwear.
- Do not put hands or feet near rotating parts or under the machine. Keep clear of the discharge opening at all times.
- Keep the machine in good working order. Replace worn or damaged parts.
- Be careful when you service the blades. Wrap the blades or wear gloves. Replace damaged blades. Do not repair or alter the blades.
- Use full width ramps when you load and unload a machine for transport.
- See attachment or accessory for proper wheel weights or counterweights.
- To help prevent fires, keep machine free of grass, leaves, or other unwanted material. Clean remaining oil or fuel spillage. Remove fuel soaked debris and let the machine to cool before storage.

Battery Safety Decal



	Warning: Fire Hazard - Keep children, open flames and sparks away from the battery, which could ignite explosive gases.
	Warning: Sulfuric acid can cause blindness or severe burns - Always wear safety goggles or a face shield when working on or near a battery.
	Warning: Batteries produce explosive gases - Read and understand the Operator's Manual before using this machine.
	Important: Do not discard a battery in the trash - Contact local authorities for disposal and/or recycling of batteries.
	Flush eyes immediately with water. Get medical help fast.



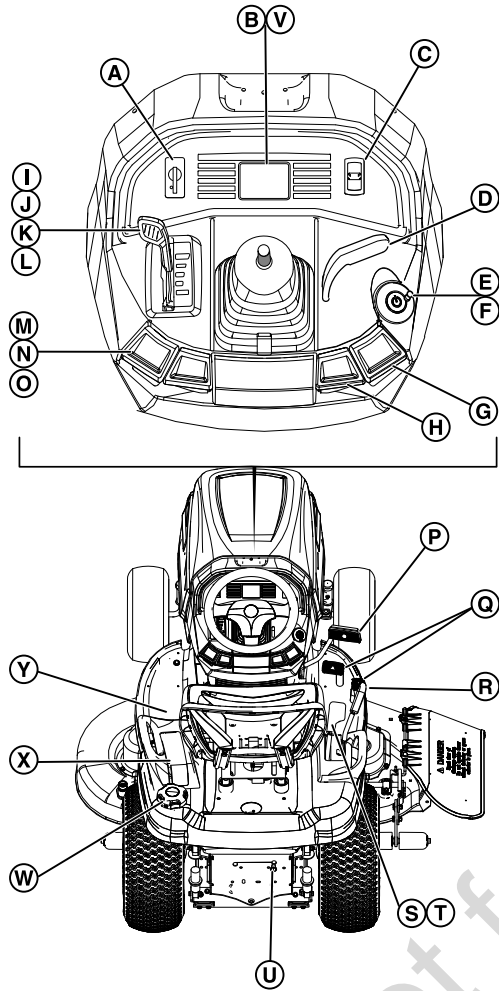
Running engine gives off carbon monoxide, an odorless, colorless, poison gas. Breathing carbon monoxide can cause headaches, fatigue, dizziness, vomiting, confusion, seizures, nausea, fainting or death.

- Operate equipment ONLY outdoors.
- Keep exhaust gas from entering a confined area through windows, doors, ventilation intakes, or other openings.

Features and Controls

Make sure that the callout letters in Figure 3 agree with the features and controls listed in the table that follows.



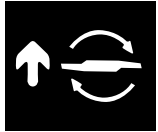
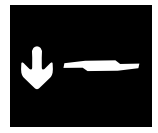

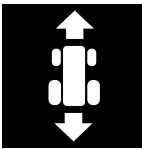
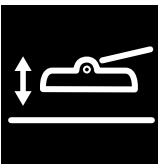
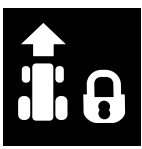



3






Control Symbols and Meanings

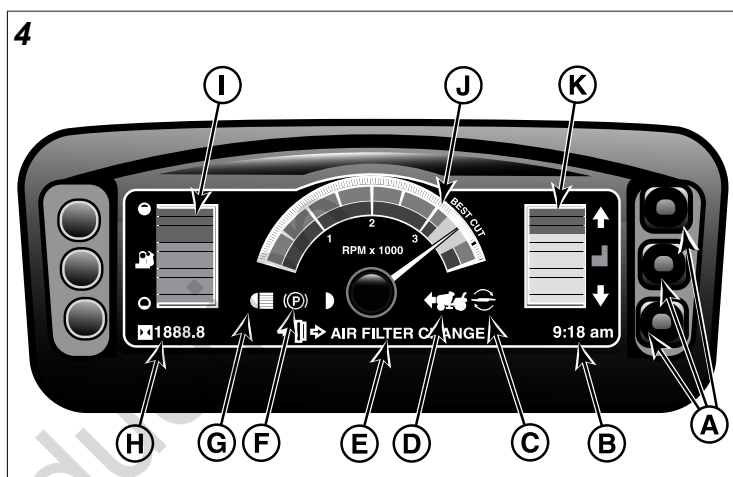
A		Reverse Mowing Option (RMO)
B		Electronic Dash Panel (Prestige / Conquest)
B		Electronic Dash Panel
B		Maintenance Meter

B		Hour Meter (Broadmoor™)
C		Height-of-Cut Switch
D		Power Lift Lever (if equipped)
E		Starter Insert
F		Push Start Button
G		Headlight Switch
H		Parking Brake Control
I		Choke
J		Throttle Control
K		Throttle Control SLOW Position

L		Throttle Control FAST Position
M		Power Take-Off (PTO)
N		Power Take-Off (PTO), Engage Blades
O		Power Take-Off (PTO), Disengage Blades
P		Brake Pedal
Q		Ground Speed Pedals
R		Mechanical Lift Lever (if equipped)
S		Cruise Control
T		Cruise Control Lock
U		Transmission Release Lever
V		Fuel Level Gauge (if equipped)

W		Fuel Tank
X		12 Volt Power Outlet
Y		Differential Lock Pedal (if equipped)

Electronic Dash Panel (if equipped)



The electronic dash panel (Figure 4) shows the operation status for a variety of equipment and engine parameters. It gives clock and timer functions for oil and air filter maintenance, and tracks work hours. The data is retained if the battery is disconnected or power is interrupted.

Note: The Mower Deck Height display requires a wire harness connection between the mower deck and the rider. When you install the mower deck after maintenance, make sure that the wire harness is correctly connected or the Mower Deck Height display will not function.

A	Control Buttons - MODE (top button), UP (center button), DOWN (bottom button).
B	Clock Display - 12-hour clock with am/pm.
C	Blade Icon - Comes on when the Power Takeoff (PTO) is engaged.
D	Rider Icon - Comes on when the Cruise Control is engaged.
E	Message Display - Tells the operator that the unit requires maintenance.
F	Parking Brake Icon - Comes on when the Parking Brake is engaged.
G	Headlight Icon - Comes on when the Headlights are engaged.
H	Hour Meter - Shows the total accumulated run hours by default. When the MODE button is pushed down, the hour meter shows the trip hours.
I	Fuel Level Bars - Comes on to show the approximate level of fuel in the tank. At two bars, the Fuel Pump Icon will flash to remind you to add fuel.

J	Tachometer with Best Cut Range Icon - Shows the engine speed from 1000 to 4000 RPM. The Best Cut Range shows the best performance between the engine speed and the Mower Deck Height settings.
K	Mower Deck Height Bars - Shows the approximate height of the mower deck.

Functions of the Hour Meter (H, Figure 4)

- By default, the Hour Meter shows the total accumulated run hours.
- When the meter reaches 1999.9 hours, it automatically resets to zero.

Trip Hours

- Push the MODE button (A, Figure 4) to show Trip Hours.
- Push the MODE button again and hold for 3 seconds to reset the trip hours to zero.

Oil Hours

- Push the MODE button (A, Figure 4) two times to show Oil Hours.
- After you change the oil and filter, push the MODE button and hold for 3 seconds to reset the oil hours to zero.

Air Filter Hours

- Push the MODE button (A, Figure 4) three times to show Air Filter Hours.
- After you clean or change the filter, push the MODE button again and hold for 3 seconds to reset the air filter hours to zero.

Clock Setting (B, Figure 4)

- Push the MODE button (A, Figure 4) four times to adjust the clock.
- Push the MODE button again and hold it for 3 seconds to flash the hour.
- Push the UP or DOWN button to change the hour. AM and PM will change when the hour setting is adjusted past 12 o'clock.
- Push the MODE button to flash the minutes.
- Push the UP or DOWN button to change the minutes.
- After you adjust the hours and minutes, push the MODE button to return to the default clock display.

Note: If you do not push the MODE button after five seconds, the display will not reset, and the Hour Meter will return to the total accumulated hours.

Maintenance Messages (E, Figure 4)

Low Battery

- This message appears when a battery voltage problem occurs.
- The display automatically clears after the battery has been serviced.

Oil Change

- This message appears after 50 hours of run time since the previous reset.
- After you change the oil and filter, push the MODE button two times to show OIL HRS.

- Push and hold the MODE button for 3 seconds to reset the timer to zero and clear the display.

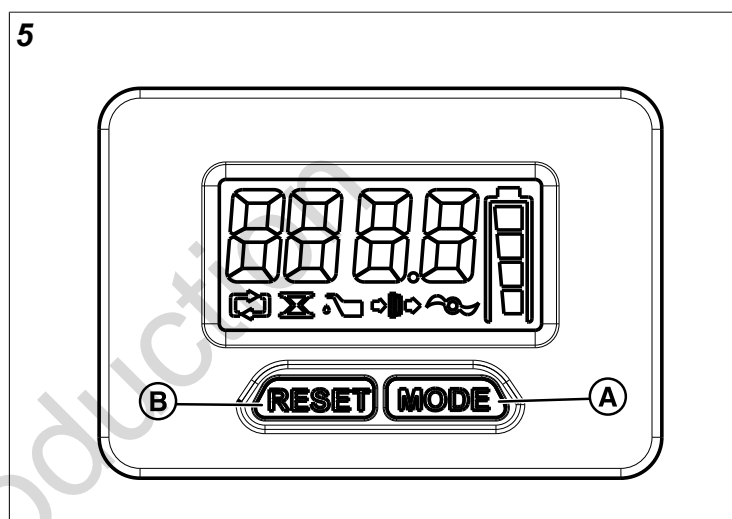
Air Filter

- This message appears after 25 hours of run time.
- After you clean or change the air filter, push the MODE button three times to show AIR FILTER HRS.
- Push and hold the MODE button for 3 seconds to reset the timer to zero and clear the display.

Note: The LOW BATTERY message has priority over other messages. Service the battery first, then examine the display for other maintenance messages.

Hour Meter (if equipped)

The hour meter (Figure 5) shows the total hours, trip hours, and a digital clock.



Display Total Hours, Trip Hours and Clock

When you start the unit, the Total Hours are shown. The Total Hours automatically resets to 0 after 999.9.

1. Push the MODE button (A, Figure 5) for less than one second to show the Trip Hours.
2. Push the RESET button (B) for more than three seconds to reset the Trip Hours to 0.
3. Push the MODE button for less than one second to show the Clock. Push the MODE button for more than three seconds. The hours will flash on the display. Push the RESET button to adjust the hours. Push the MODE button for less than one second to save the setting. The minutes will flash on the display. Push the RESET button to adjust the minutes. Push the MODE button for less than one second to save the setting.
4. Push the MODE button for less than one second to return to Total Hours.

12-Volt Power Outlet

Use the 12-volt accessory plug to power small electronic devices. The accessory must be rated at 9 amps or less. See *Features and Controls*.

NOTICE

The 12-volt accessory can cause battery discharge, especially when the engine is at idle. When the accessory plug is not used, it must be covered with a rubber plug. Entrance of water into plug can cause a short circuit.

Operation

Read the *Operator Safety* section before you operate this machine. Make sure that you know the controls and how to stop the unit.

Operating Area

1. Know the area where you plan to operate the mower.
2. Make sure that the area is free of unwanted material that could be picked up by the blades and thrown.



This machine is capable of throwing objects that could injure bystanders or cause damage to buildings.

- Do not operate the machine without the entire grass catcher, discharge chute, or other safety devices in place and functioning properly. Check frequently for signs of wear or deterioration and replace as needed.
 - Clear the operating area of any objects which could be thrown by or interfere with the operation of the machine.
3. Move the rider mower outside, before you start the engine.
 4. Note all slopes and drop-offs.



Engines give off carbon monoxide, an odorless, colorless, poison gas. Breathing carbon monoxide can cause nausea, fainting, or death.



Operating on slopes, or near water, or drop-offs can result in loss of control and roll-over.

- Mow up and down slopes not across.
 - Reduce speed and be careful on slopes.
 - Do not operate on slopes over 10 degrees, which is a 3.5 foot rise over a 20 foot length.
 - Give yourself a minimum of two mower widths of clearance around water, retaining walls, or drop-offs.
 - Avoid mowing wet grass.
 - Do not operate machine under any condition where traction, steering, or stability is in question. Tires could slide even if the wheels are stopped.
 - Avoid starting and stopping on slopes.
 - Avoid making sudden changes in speed or direction.
 - Make turns slowly and gradually.
 - Be careful while operating machine with a grass catcher or other attachment(s). They can affect the stability of the machine.
 - Follow the manufacturer's recommendation for weight limits for towed equipment and towing on slopes. See *Towed Equipment*.
5. Make sure that the operating area is clear of bystanders, especially children.



This rider mower is capable of amputating hands and feet.

- Stop the mower when children or others are near.
- Keep children out of the operating area and under the watchful care of a responsible adult.
- Do not carry passengers, especially children, even with the blade(s) shut off. Children can fall off and be seriously injured or interfere with the safe machine operation. Children who have been given rides in the past can suddenly appear in the mowing area for another ride and be run over or backed over by the machine.
- Use care when approaching blind corners, shrubs, trees, or other objects that obscure vision.

Safety Interlock System Tests

This machine is equipped with a Safety Interlock System. Do not attempt to bypass or tamper with the switches and devices.



If the machine does not pass a safety test, do not operate the machine. See an authorized dealer.

Test 1 — Engine will NOT crank if:

- PTO switch is ON, OR
- Brake pedal is NOT fully pushed down (parking brake OFF), OR

- Operator is NOT in seat.

Test 2 — Engine will crank and start if:

- PTO switch is OFF, AND
- Operator is in seat, AND
- Brake pedal is fully pushed down (parking brake ON).

Test 3 — Engine will SHUT OFF if:

- Operator rises off seat with Power Take-Off (PTO) engaged, OR
- Operator rises off seat with brake pedal NOT fully pushed down (parking brake OFF).

Test 4 — Mower Blade Stopping Time Check

The mower blades and mower drive belt will come to a complete stop in five seconds after the electric PTO switch is turned OFF. If the mower drive belt does not stop in five seconds, see an Authorized Service Dealer.

Test 5 — Reverse Mowing Option (RMO) Check

- The engine will shut off when reverse travel is attempted with the Power Take Off (PTO) switched on and the Reverse Mowing Option (RMO) not activated.
- The RMO light will come on when the RMO has been activated.



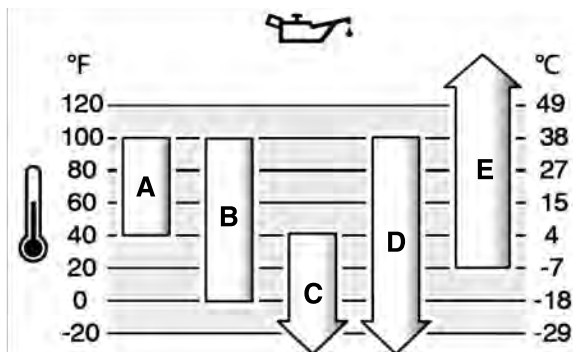
Mowing in reverse can be hazardous to bystanders. Tragic accidents can occur if the operator is not alert to the presence of children. Never activate the Reverse Mowing Option if children are present. Children are often attracted to the machine and the mowing activity.

Engine

Check and Add Engine Oil

Use Briggs & Stratton® Warranty Certified oils for best performance. Other high-quality detergent oils are acceptable if classified for service SF, SG, SH, SJ or higher. Do not use special additives.

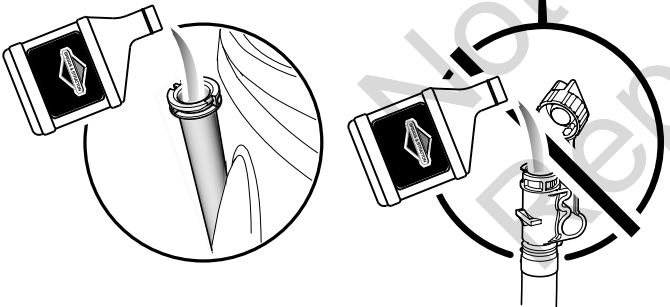
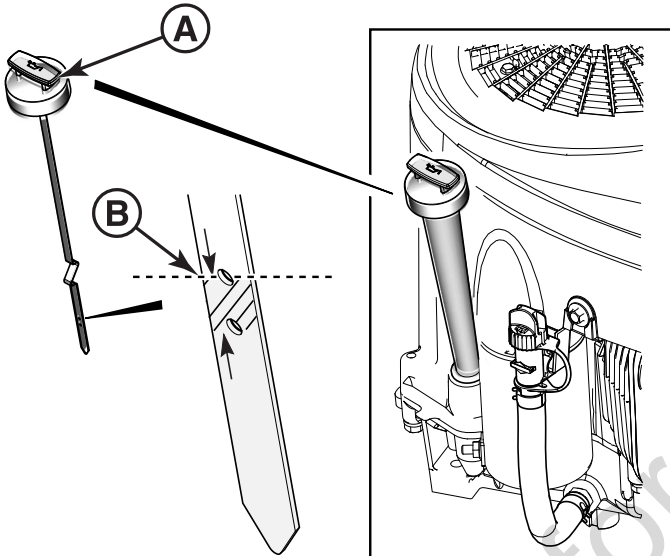
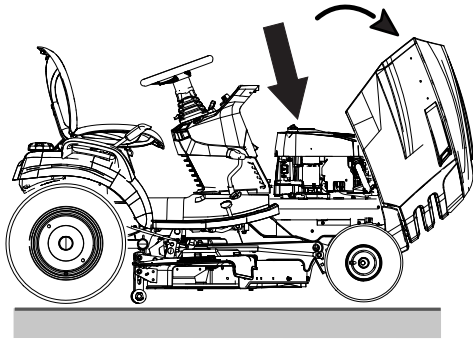
Outdoor temperatures determine the correct oil viscosity for the engine. Use the chart to select the best viscosity for the outdoor temperature range expected.



B	10W-30 - Above 80°F (27°C) the use of 10W-30 can cause increased oil consumption. Inspect the oil level more frequently.
C	5W-30
D	Synthetic 5W-30
E	Vanguard® Synthetic 15W-50

1. Put the unit on a level surface (Figure 6).
2. Stop the engine and remove the starter insert (E, Figure 3).
3. Remove all unwanted material from the oil fill area.
4. Pull the dipstick (A, Figure 6) out from the oil fill. Remove the remaining oil from the dipstick.
5. Install and tighten the dipstick. Remove the dipstick again. Make sure that the oil level is at the FULL mark (B, Figure 6).
6. If the oil level is LOW, add engine oil. See the *Specifications* section.
7. Wait one minute. Make sure that the oil level is at the top of the FULL indicator. Install and tighten the dipstick.

6



Oil Pressure

If the oil pressure is too low, a pressure switch (if equipped) will either stop the engine or activate a warning device on the equipment. If this occurs, stop the engine and check the oil level with the dipstick.

If the oil level is below the ADD mark, add oil until it touches the FULL mark. Start the engine and check for the correct oil pressure before you continue to operate the machine.

If the oil level is between the ADD and FULL marks, **DO NOT start the engine**. Contact an authorized service dealer to correct the oil pressure problem.

Add Fuel

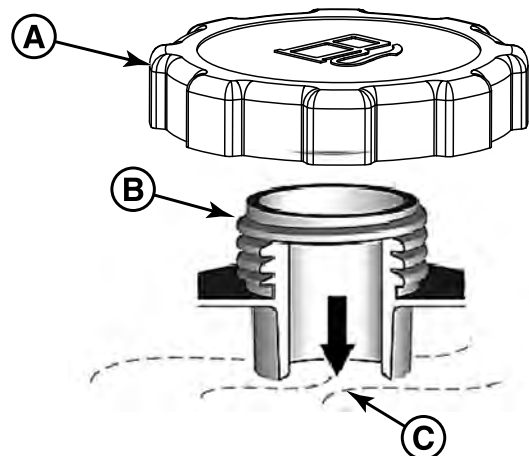


Fuel and its vapors are extremely flammable and explosive. Always handle fuel with extreme care. Failure to observe these safety instructions can cause fire or explosion which could result in severe burns or death.

When Adding Fuel

- Stop the engine and let the engine cool at least 3 minutes before you remove the fuel cap.
 - Extinguish all cigarettes, cigars, pipes, and other sources of ignition.
 - Fill fuel tank outdoors or in well-ventilated area.
 - Do not overfill fuel tank. To allow for expansion of the fuel, do not fill above the bottom of the fuel tank neck.
 - Keep fuel away from sparks, open flames, pilot lights, heat, and other ignition sources.
 - Check fuel lines, tank, cap, and fittings frequently for cracks or leaks. Replace if necessary.
 - If fuel spills, wait until it evaporates before you start the engine and avoid creating any source of ignition.
 - Use only an approved fuel container.
1. Remove unwanted material from the fuel cap area.
 2. Remove the fuel cap (A, Figure 7).
 3. Fill the fuel tank (B) with fuel. **DO NOT** fill above the bottom of the fuel tank neck (C).
 4. Install the fuel cap.

7



Start the Engine



WARNING

Fuel and its vapors are extremely flammable and explosive.

Fire or explosion can cause severe burns or death.

When you start the engine:

- Make sure that spark plug, muffler, fuel cap, and air cleaner (if equipped) are in place and secured.
- Do not crank the engine with spark plug removed.
- If engine floods, set the choke (if equipped) to OPEN/RUN position, move throttle (if equipped) to FAST position and crank until engine starts.



WARNING

Engines give off carbon monoxide, an odorless, colorless, poison gas.

Breathing carbon monoxide can cause nausea, fainting, or death.

Fire or explosion can cause severe burns or death.

- Start and run the engine outdoors.
- Do not start or run the engine in enclosed area, even if doors or windows are open.

1. Check the oil level. See *Check and Add Engine Oil*.
2. Make sure that the equipment drive controls are disengaged.
3. Sit in the seat and lift UP the seat adjustment lever to lock the seat in position.
4. Engage the parking brake control. Push the brake pedal, pull OUT the parking brake control, and release the brake pedal.
5. Push the PTO switch to disengage it.
6. Set the throttle/choke control to the CHOKE position (if equipped).
7. Make sure that the starter insert is installed in the ignition switch. Push the start button two times and hold until the engine starts.
8. After the engine starts, move the throttle/choke control to half speed. Turn the engine ON for at least 30 seconds. This will warm the engine.
9. Set throttle/choke control to the FAST position.

In the event of an emergency, remove the starter insert key to immediately stop the tractor and engine.

Note: If the engine does not start after repeated attempts, contact an Authorized Service Dealer.

Stop the Engine



Fuel and its vapors are extremely flammable and explosive.

Fire or explosion can cause severe burns or death.

- Do not choke the carburetor to stop the engine.

1. Release the ground speed pedals (Q, Figure 3).
2. Disengage the Power Take-Off (PTO) switch (O). Wait for all moving parts to stop.
3. Move the throttle control (J) to the SLOW position.
4. Push the start/stop push button (F) to STOP the engine.
5. Remove the starter insert (E), and keep out of the reach of children.
6. Engage the parking brake control (H). Push down on the brake pedal (P), pull UP on the parking brake, and release the brake pedal.
In the event of an emergency, push the start / stop button, or remove the starter insert key to immediately stop the tractor and engine.

Tractor Operation

1. Sit in the seat and adjust the seat so that you can comfortably reach all the controls. See *Features and Controls*.
2. Engage the parking brake:
 - a. Fully push down on the brake pedal.
 - b. Pull UP on the parking brake control.
 - c. Release the brake pedal.
3. Make sure the PTO switch is disengaged.
4. Start the engine. See *Start Engine*.
5. Disengage the parking brake:
 - a. Fully push DOWN on the brake pedal.
 - b. Push IN the parking brake control.
 - c. Release the brake pedal.
6. Push down on the speed control pedal to move forward. Release the pedal to stop.
Note: The further down the pedal is pushed the faster the tractor will move.
7. To stop the tractor, release the speed control pedals, set the parking brake, and stop the engine. See *Stop Tractor and Engine*.

Automatic Controlled Traction (ACT)

Automatic Controlled Traction (ACT) applies a preset amount of torque to both rear wheels even if one starts to slip. A transmission without ACT will lose traction completely if one rear wheel starts to slip. This preset torque is just enough to give additional traction, and still let the wheels turn at different speeds in a tight turn without damage to the lawn.

Under certain circumstances, the ACT system limit can be exceeded, and one of the rear tires may slip. For example, if you turn up a hill, when you accelerate. This is normal. If you start to lose traction, do not speed up. Instead, slow to stop, straighten the steering wheel, and slowly accelerate. Stopping the tractor lets the transmission get more traction.

Cruise Control

To engage:

- Push down on the cruise control lever (S, Figure 3) until the desired speed is reached.

To disengage:

- Pull back on the cruise control lever or push the brake pedal (P).

Mowing



This machine is capable of amputating hands and feet, and throwing objects. Failure to observe the following safety instructions could result in serious injury or death.

- Only operate the machine in daylight hours or good artificial light.
 - Avoid holes, ruts, bumps, rocks, or other hidden hazards. Uneven terrain can overturn the machine or cause operator to lose their balance or footing.
 - Do not direct discharge material toward anyone. Avoid discharging material against a wall or obstruction as material may ricochet back toward the operator.
 - Stop the blade(s) when crossing gravel surface.
 - Do not leave a running machine unattended. Always park on level ground, disengage the attachment, set parking brake, stop engine and remove starter insert or key.
1. Engage the parking brake control (H, Figure 3).
 2. Make sure the PTO switch (M) is disengaged.
 3. Start the engine. See *Start Engine*.
 4. Set the throttle control (J) to the FAST position.
 5. Engage the PTO (N) to activate the mower blades.
 6. Use the Height-of-Cut Electric Switch (C) to set the cutting height to the desired level. See *Adjusting the Mower Cutting Height*.
 7. Disengage the parking brake (H), then begin to mow.
 8. Turn off the PTO.
 9. STOP the engine. See *Stop Tractor and Engine*.



The engine will shut off if the reverse ground speed pedal is depressed while the PTO is on and the RMO has not been activated. The operator must always turn the PTO off prior to driving across on roads, paths, or areas that can be used by other vehicles. Sudden loss of drive could create a hazard.

Adjust Mower Cutting Height

The mower lift lever (D and R, Figure 3) lowers the deck to the cutting position or raises the deck to the transport position.

Lower the Deck

Mechanical Lift - (if equipped)

1. On the right side, pull back the mower lift lever (R, Figure 3) a small distance.
2. Push it to the right.
3. Move it down.

Power Lift - (if equipped)

1. Start the unit. Make sure that the brake pedal (P, Figure 3) is not pushed down.
2. Push the power lift lever (D, Figure 3) forward to lower the deck to cutting position.

Raise the Mower Deck

Mechanical Lift - (if equipped)

1. On the right side, pull up on the mower lift lever (R, Figure 3).
2. Lock in notch to the left.

Power Lift - (if equipped)

1. Start the unit. Make sure that the brake pedal (P, Figure 3) is not pushed down.
2. Pull the power lift lever (D, Figure 3) back until the deck is at its highest position. This is transport mode.

Note: Do not cut when raised in transport position.

The cutting height electric switch (C, Figure 3) controls the mower cutting height. See *Specifications* section for height-of-cut specification.

Reverse Mowing Option (RMO)



Mowing in reverse can be hazardous to bystanders. Tragic accidents can occur if the operator is not alert to the presence of children. Children are often attracted to the machine and the mowing activity. Never assume that children will remain where you last saw them.

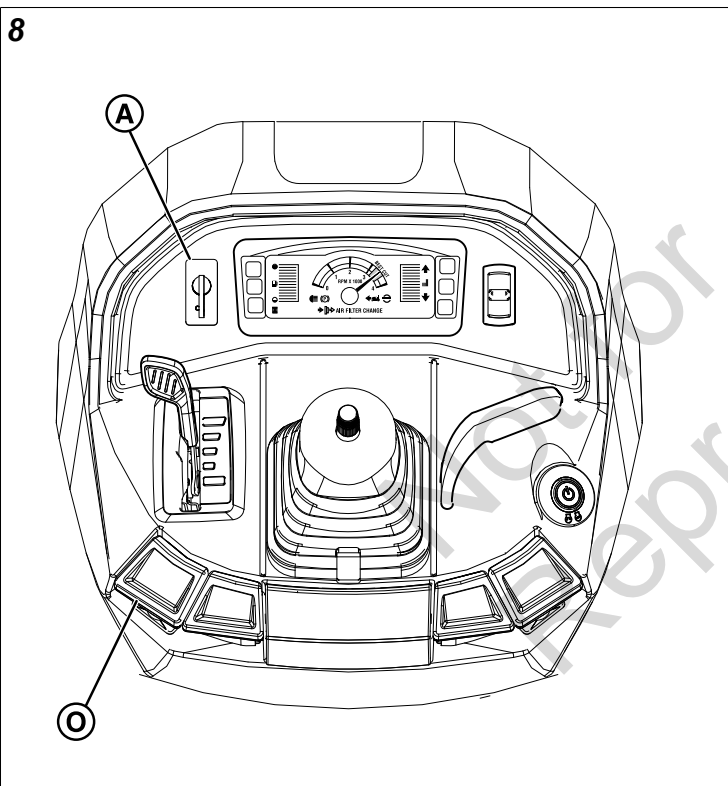
- Keep children out of the operating area and under the watchful care of a responsible adult.
- Do not carry passengers, especially children, even with the blade(s) shut off. Children can fall off and be seriously injured or interfere with the safe machine operation. Children who have been given rides in the past can suddenly appear in the mowing area for another ride and be run over or backed over by the machine.
- Do not mow in reverse unless absolutely necessary. Always look down and behind before and while you mow in reverse.
- If the machine mows in reverse without the Reverse Mowing Option activated, see a Briggs & Stratton Authorized Service dealer immediately.



Reverse Mowing

The Reverse Mowing Option (RMO) lets the operator mow in reverse.

1. Engage the Power Take-Off (PTO) (O, Figure 8).



2. Turn the RMO key (A) to the ON position.
3. The L.E.D. light will come on.

Note: The RMO deactivates each time the PTO is disengaged. Remove the key to prevent access to the RMO.

Maintenance



WARNING

Unintentional sparking can result in fire or electric shock.

Unintentional start-up can result in entanglement, traumatic amputation, or laceration.

Before performing adjustments or repairs:

- Disconnect the spark plug wire and keep it away from the spark plug.
- Disconnect battery at negative terminal (only engines with electric start).
- Use only correct tools.
- Do not tamper with governor spring, links, or other parts to increase engine speed.
- Replacement parts must be of the same design and installed in the same position as the original parts. Other parts may not perform as well, may damage the unit, and may result in injury.
- Do not strike the flywheel with a hammer or hard object because the flywheel may shatter during operation.

Maintenance Schedule

RIDER AND MOWER
Every 8 Hours or Daily
Check the Safety interlock system
Remove unwanted material from the rider, mower deck, and engine compartment
Every 25 Hours or Annually*
Check the tire pressure
Check the mower blade stopping time
Check for loose hardware on the rider and mower
Every 50 Hours or Annually*
Clean the battery and cables
Check the rider brakes
See a Briggs & Stratton Authorized Service Dealer Annually
Lubricate the rider and mower.
Mower blades check**

*Whichever comes first.

**Check the mower blades more often in regions with sandy soils or high dust conditions.

ENGINE
First 5 Hours
Change the engine oil
Every 8 Hours or Daily
Check the engine oil level
Every 25 Hours or Annually*
Clean the air filter and pre-cleaner**
Every 50 Hours or Annually*
Change the engine oil
Replace the oil filter
Annually
Replace the air filter
Replace the pre-cleaner
See Dealer Annually to

ENGINE

Inspect the muffler and spark arrester

Replace the spark plugs

Replace the fuel filter

Clean the air cooling system

*Whichever comes first.

**Clean more often in dusty conditions or when airborne material is present.

Electronic Fuel Management System

The Electronic Fuel Management System monitors engine temperature, engine speed, and battery voltage to adjust the choke during engine starting and warm up. There are no adjustments on the system. If starting or operation problems occur, contact an Authorized Briggs & Stratton Dealer.

NOTICE Make sure to follow the steps below or the Electronic Fuel Management System could be damaged.

- Never start the engine if the battery cables are loose.
- Turn the key to the OFF position or remove the starter switch before disconnecting, removing and / or installing the battery.
- Never use a battery charger to start the engine.
- Never disconnect the battery cables while the engine is running.
- When connecting the battery cables, first connect the positive (+) cable and then connect the negative (-) cable to the battery.
- When charging the battery, turn the ignition switch to the off position and disconnect the negative (-) battery cable from the battery.
- Do not spray water directly on the Electronic Control Unit.

Charge the Battery



WARNING



Keep open flames and sparks away from the battery; the gasses coming from it are highly explosive. Ventilate the battery well during charging.

A dead battery or one too weak to start the engine can be the result of a defect in the charging system or other electrical component. If there is any doubt about the cause of the problem, see your dealer. If you need to replace the battery, follow the steps under *Clean the Battery and Cables*.

To charge the battery, follow the instructions provided by the battery charger manufacturer as well as all warnings included in the safety rules sections of this book. Charge the battery until fully charged. Do not charge at a rate higher than 10 amps.

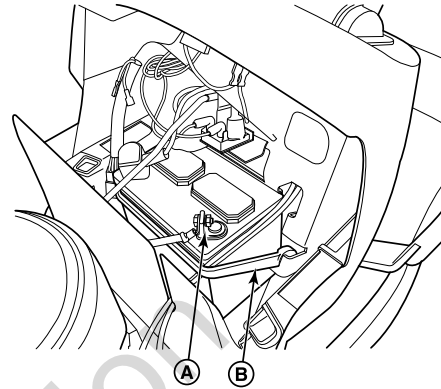
Battery Maintenance



WARNING

When you disconnect the battery cables, *first* disconnect the negative (-) battery cable and then disconnect the positive (+) battery cable. When you connect the battery cables, *first* connect the positive (+) battery cable and then connect the negative (-) battery cable. If not done in this order, the positive terminal can be shorted to the frame by a tool.

9



1. DO NOT remove or connect a battery cable while the engine is ON. Turn OFF the unit and remove the starter insert.
2. First disconnect the negative (-) battery cable (A, Figure 9) from the battery. Then, disconnect the positive (+) battery cable from the battery.
3. Remove the battery hold-down strap (B) and the battery.
4. Clean the battery compartment with a solution of baking soda and water.
5. Clean the battery terminals and cable ends with a wire brush and battery terminal cleaner.
6. Install the battery with the battery hold-down strap.
7. First connect the positive (+) battery cable to the battery. Then, connect the negative (-) battery cable (A, Figure 9) to the battery.
8. Apply a layer of petroleum jelly or non-conducting grease to the cable ends and the battery terminals.

Mower Blade Stop Time



WARNING

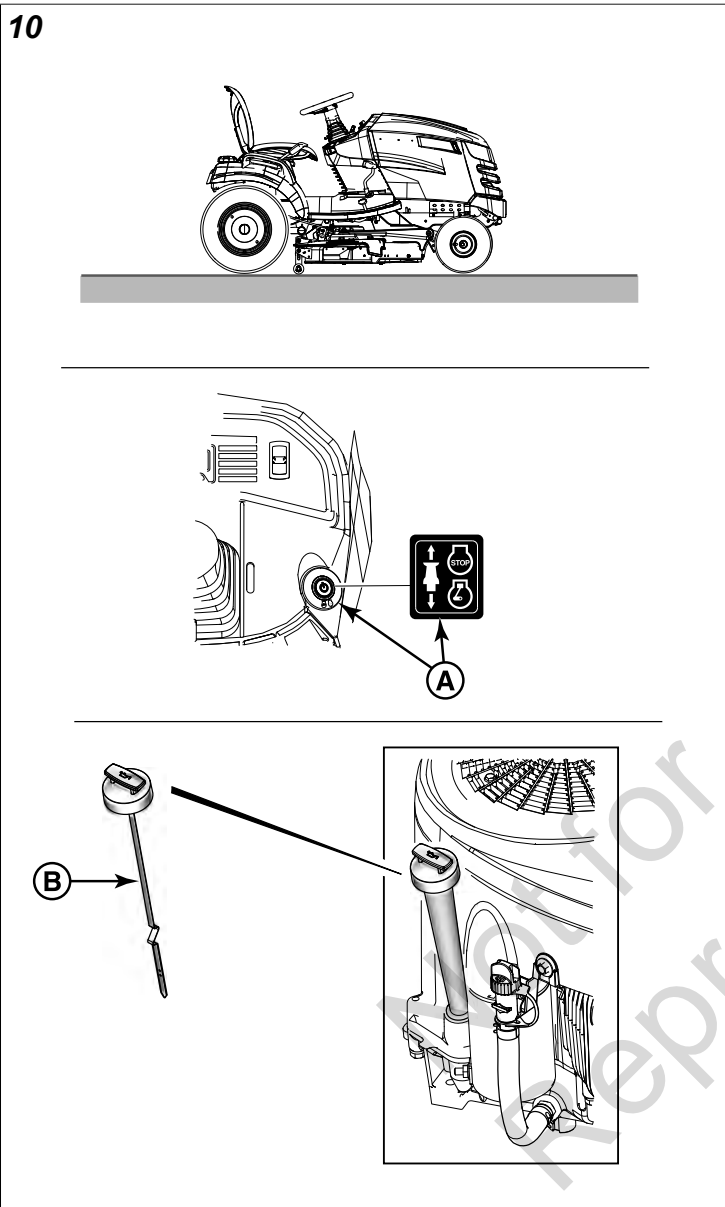
If the mower blade does not come to a complete stop within 5 seconds, the clutch must be adjusted. Do not operate the machine until the correct adjustment has been performed by a Briggs & Stratton Authorized Service Dealer.

The mower blades and mower drive belt must stop within five seconds after the electric Power Take-Off (PTO) switch turns OFF. If the mower drive belt does not stop within five seconds, see a Briggs & Stratton Authorized Service Dealer for repairs.

Change the Engine Oil

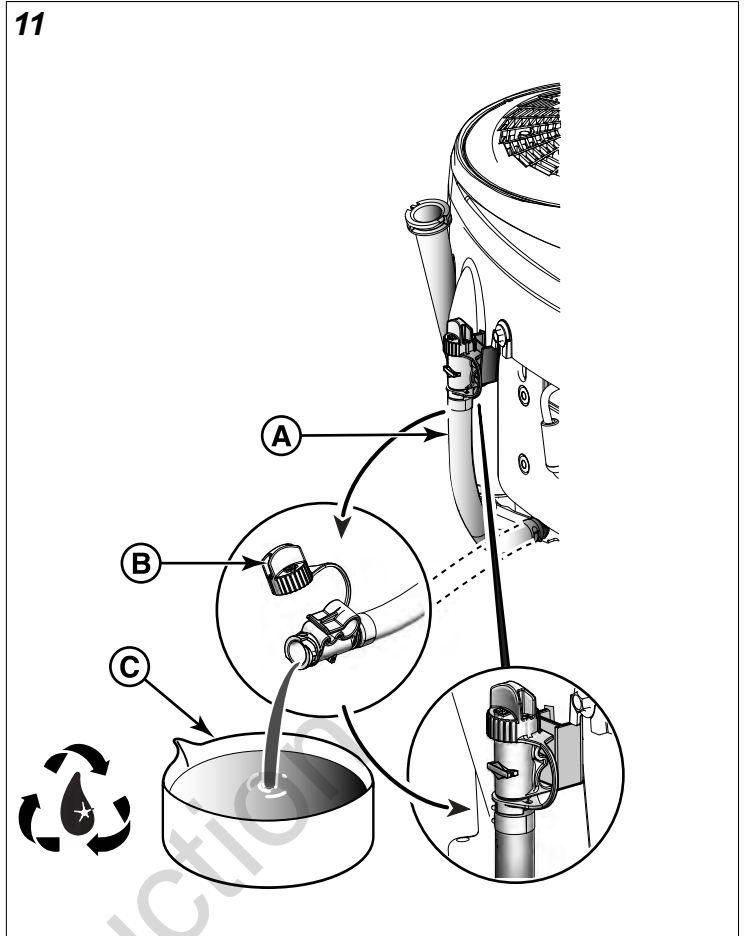
1. Run the engine until warm.
2. Put the tractor on a level surface (Figure, 10).

10

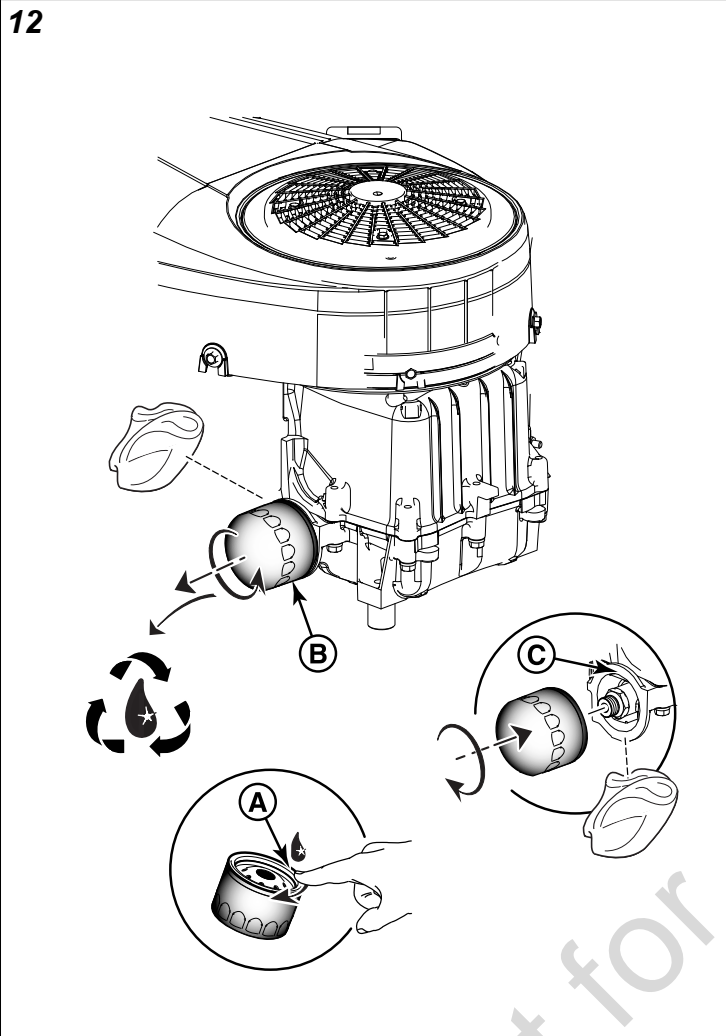


3. Stop the engine and remove starter insert (A, Figure 10).
4. Clean the oil fill and filter areas of any debris.
5. Remove dipstick (B) and lay on clean cloth.
6. Disconnect the oil drain hose (A, Figure 11).

11



7. Carefully remove the cap (B) and lower hose into an approved container (C).
8. After the oil has drained, install the cap tightly, then attach the hose to the side of the engine.
9. Remove the oil filter (B, Figure 12) and discard.



10. Lightly lubricate the oil filter gasket (A) with clean oil.
11. Install the oil filter by hand until the gasket touches the oil filter adapter (C) then tighten the oil filter 1/2 to 3/4 turns.
12. Add oil. See the *Check and Add Engine Oil* section.

Service Air Filter

Refer to the Engine Manual.

Air Filter Assembly (Cartridge with pre-cleaner)

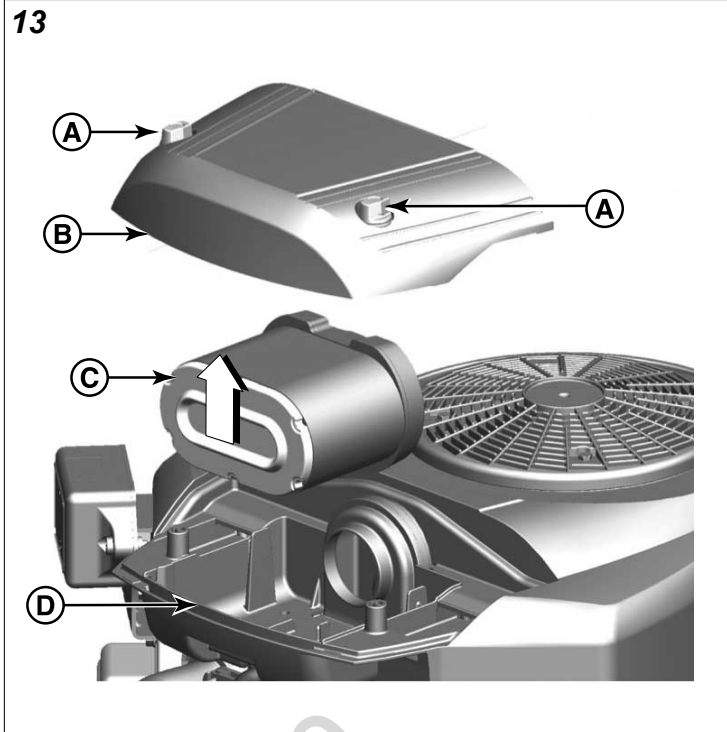


WARNING
DO NOT start or run the engine with the air cleaner assembly or air filter removed as it is a fire hazard.

NOTICE

Do not use pressurized air or solvents to clean the filter. Pressurized air can damage the filter, and solvents will dissolve the filter.

1. Loosen the fasteners (A, Figure 13) and remove the cover (B).



2. Remove the air cleaner assembly (C) and disassemble.
3. Remove debris that might get into the carburetor throat (D).
4. Remove the pre-cleaner from the air filter.
5. To loosen debris, gently tap the air filter on a hard surface. If the air filter is dirty, replace it with a new air filter.
6. Wash the pre-cleaner in liquid detergent and water. Then let it thoroughly air dry. Do not lubricate the pre-cleaner.
7. Assemble the dry pre-cleaner to the air filter.
8. Install the air filter assembly.
9. Install the cover and secure with fasteners.

Air Filter Assembly (Cyclonic with pre-cleaner)



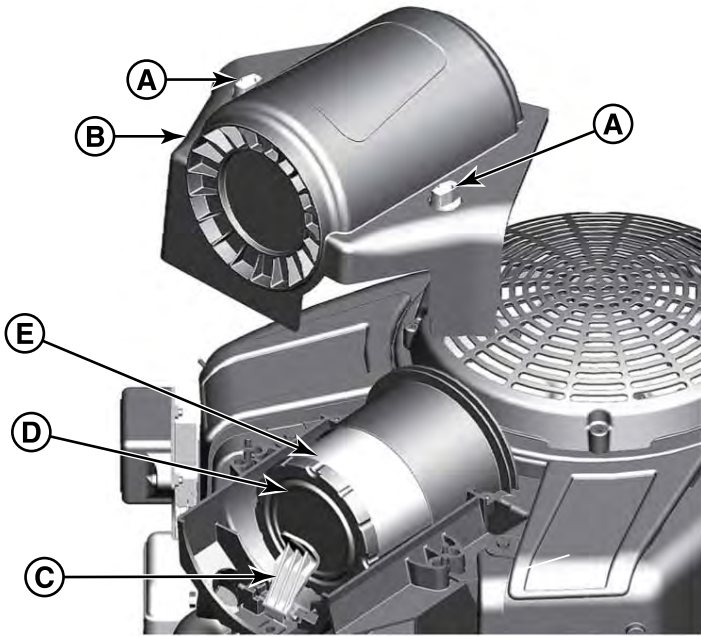
WARNING
DO NOT start or operate the engine with the air cleaner assembly or air filter removed as it is a fire hazard.

NOTICE

Do not use pressurized air or solvents to clean the filter. Pressurized air can damage the filter and solvents will dissolve the filter.

1. Loosen the fasteners (A, Figure 14) and remove the cover (B).

14



2. Open the latch (C) and remove the air filter assembly (D).
3. Remove the pre-cleaner (E) from the air filter.
4. To loosen debris, gently tap the air filter on a hard surface. If the air filter is dirty, replace it with a new air filter.
5. Wash the pre-cleaner in liquid detergent and water. Then let it thoroughly air dry. Do not lubricate the pre-cleaner.
6. Assemble the dry pre-cleaner to the air filter.
7. Install the air filter assembly and close the latch.
8. Install the cover with the fasteners.

Tire Pressure Check

For correct traction and best mowing performance, make sure that the tire inflation pressure is 12-14 psi (0,82-0,96 bar). Refer to Tire Pressure Check in the *Maintenance Schedule*. Also, see Tire Inflation Pressure in the *Specifications* section.

Note: The Tire Inflation Pressure can be slightly different from the "Maximum Inflation" shown on the side of the tires.

Check the Spark Plugs



Unintentional sparking can result in fire or electric shock.

Unintentional start-up can result in entanglement, traumatic amputation, or laceration.

When testing for spark:

- Use approved spark plug tester.
- Do not check for spark with spark plug removed.

NOTICE

Spark plugs have different heat ranges. It is important that the correct spark plug is used, otherwise, engine damage can occur. Replace the spark plug with the same type or equivalent one.

Clean Spark Plug

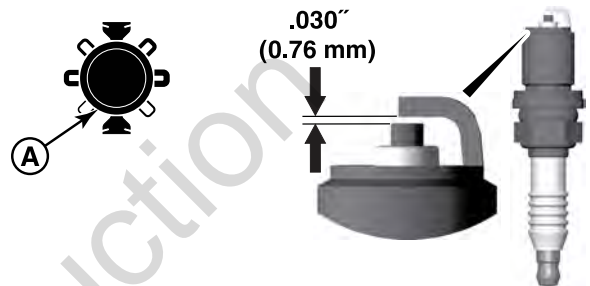
Clean the spark plug with a wire brush and sturdy knife. Do NOT use abrasives.

Check Spark Plug Gap

Use a spark plug feeler gauge (A, Figure 15) to check the gap between the two electrodes. When the gap is correct, the gauge will drag slightly as you pull it through the gap.

To adjust the spark plug gap, use a spark plug gauge and gently bend the curved electrode. Make sure that you do not touch the center electrode or the porcelain.

15



Install Spark Plug

Tighten the spark plug with your fingers, and then, tighten it with a wrench as shown in Figure 16.

- 180 in-lbs (20 Nm), OR
- 1/2 turn when you install the original spark plug. 1/4 turn when you install a new spark plug.

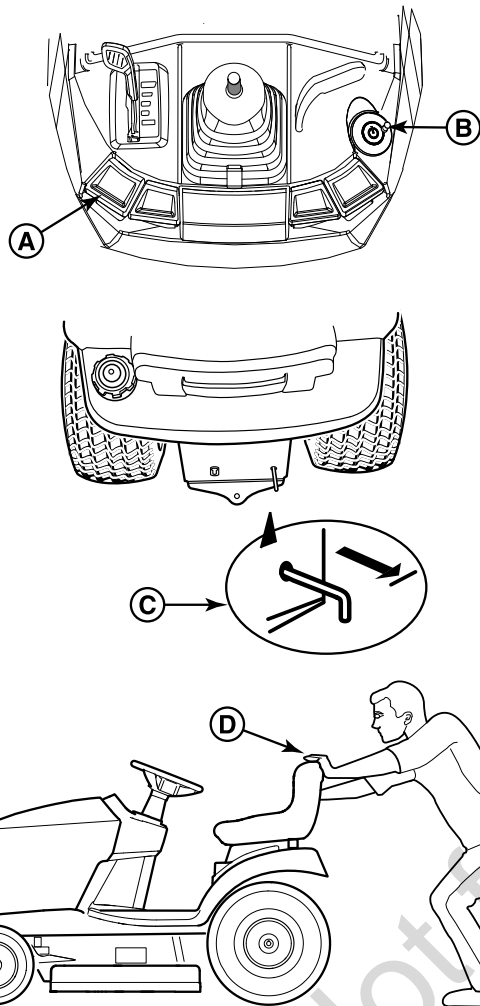
16



Push the Tractor by Hand

1. Disengage the Power Take-Off (PTO) (A, Figure 17).

17



2. Turn the engine OFF (B).
3. Pull the transmission release (C) to lock into released position.
4. The rider can be pushed by hand (D).

WARNING

If you tow the unit, it will cause transmission damage. DO NOT use another vehicle to push or pull this machine. DO NOT push the transmission release lever while engine is ON.

Towed Equipment

1. Before you tow the unit, make sure that the hitch is designed for towing.
2. Attach towed equipment ONLY at the hitch point.
3. For towed equipment and towing on slopes, follow the weight limit recommendations listed below.
 - Gross weight (trailer and load) of 400 lb (181.4 kg).
 - Maximum of 20 lb (9.1 kg) foot up or down on the tongue.

- Go from a 10° limit to a 5° limit on any slope.

4. DO NOT let children or others in or on towed equipment.
5. The weight of the towed equipment on slopes can cause loss of traction and loss of control.
6. DO NOT shift to neutral and coast down hill.

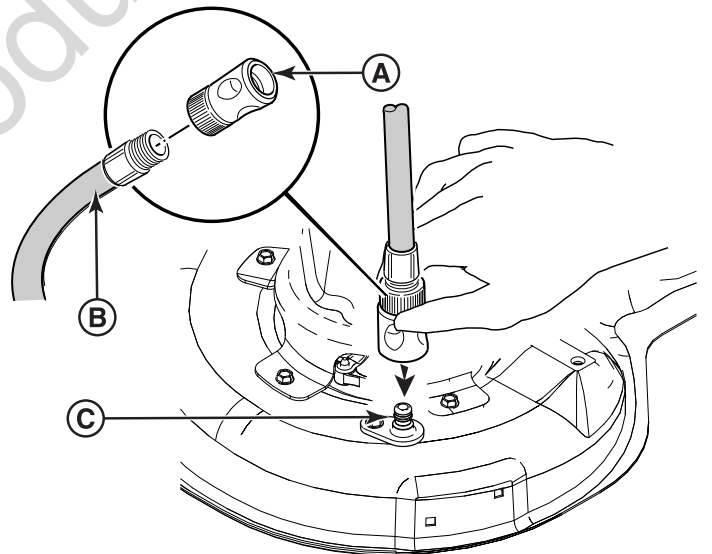
Clean the Mower Deck (if equipped)

Note:

Use the washout port (C, Figure 18) to clean the underside of the mower deck.

1. Put the rider on a smooth level surface.
2. Attach the quick disconnect (A, Figure 18) to the garden hose (B) and then connect to the washout port (C) on the mower deck.
3. Turn the water ON.
4. Start the engine.
5. Set the Height-of-Cut in the highest position.
6. Engage the Power Take-Off (PTO) switch to activate the mower blades. The rotation of the blades and the running water will clean the underside of the mower deck.
7. Disconnect the Power Take-Off and stop the engine.
8. Turn the water OFF.
9. Remove the garden hose and quick disconnect from the washout port (C).

18



Storage



Never store the unit (with fuel) in an enclosed, non-ventilated structure. Fuel vapors can travel to an ignition source (such as a furnace, water heater, etc.) and cause an explosion.

- Store away from furnaces, stoves, water heaters, or other appliances that have pilot lights or other ignition sources because they can ignite fuel vapors.

Equipment

Turn OFF the Power Take-Off (PTO), and set the parking brake. Remove the starter insert. Let the machine cool.

If you remove the battery, the battery life will increase. Make sure that the battery is in a cool, and dry location, and keep it fully charged. If the battery is left in the unit, disconnect the negative cable.

Fuel System

Fuel can become stale when kept in a storage container for more than 30 days. Each time you fill the container with fuel, add fuel stabilizer to the fuel as specified by the manufacturer's instructions. This keeps fuel fresh and decreases fuel-related problems or contamination in the fuel system.

It is not necessary to drain fuel from the engine when fuel stabilizer is added as instructed. Before storage, turn the engine ON for 2 minutes to move the fuel and stabilizer through the fuel system.

Before starting the machine after it has been stored:

- Check all fluid levels. Check all maintenance items.
- Do all recommended checks and procedures found in this manual.
- Make sure the engine is warm before you use it.

Troubleshooting

Troubleshooting the Rider

PROBLEM	LOOK FOR	REMEDY
The engine will not turnover or start.	The brake pedal is not pushed down.	Fully push down on the brake pedal.
	Empty fuel tank.	If engine is hot, let the engine cool, then fill the fuel tank.
	The PTO switch is set to the ON position.	Set the PTO switch to the OFF position.
	The cruise control is engaged.	Move the cruise control knob to the NEUTRAL/OFF position.
	The engine is flooded.	Disconnect the choke.
	The battery terminals require cleaning.	Refer to <i>Clean the Battery and Cables</i> .
	The battery is discharged or is dead.	Charge or replace the battery.
	Loose or broken wiring.	Visually inspect the wiring. If wires are frayed or broken, see an Authorized Service Dealer.
Engine starts hard or operates poorly.	The fuel mixture is too rich.	Clean the air filter.
Engine knocks.	Low oil level.	Inspect and add oil as required.
	Incorrect grade of oil.	Refer to the <i>Start and Stop Engine</i> section.
Excessive oil consumption.	Incorrect grade of oil.	Refer to the <i>Start and Stop Engine</i> section.
	There is too much oil in crankcase.	Drain remaining oil.
Engine exhaust is black.	The air filter is dirty.	Refer to the <i>Service the Air Filter</i> section.
	The choke is closed.	Open the choke.
Engine runs, but rider will not drive.	The speed control pedals are not pushed down.	Push down on the speed control pedals.
	The transmission release lever is in PUSH position.	Move the transmission release lever into DRIVE position.
	The parking brake is engaged.	Release the parking brake.
Rider steers hard or handles poorly.	Incorrect tire inflation.	Refer to the <i>Check Tire Pressure</i> section.

Note: For all other problems, contact an Authorized Service Dealer.

Troubleshooting the Mower

PROBLEM	LOOK FOR	REMEDY
The mower cut is uneven.	The rider tires are incorrectly inflated.	Refer to the <i>Check Tire Pressure</i> section.
The mower cut looks rough.	The engine speed is set too slow.	Set to FAST throttle.
	The ground speed is set too fast.	Slow down.
The engine stalls easily with the mower engaged.	The engine speed is set too slow.	Set to FAST throttle.
	The ground speed is set too fast.	Slow down.
	The air cleaner is clogged or dirty.	Refer to the <i>Service Air Filter</i> section.
	The Height-of-Cut is set too low.	Cut tall grass at maximum Height-of-Cut during first pass.
	The engine is not up to operating temperature.	Operate the engine for several minutes to warm up.
	The grass is too tall.	Start the mower in a cleared area.
The engine turns ON, and the rider drives, but the mower will not cut.	The Power-Take Off (PTO) is not engaged.	Engage the PTO.

Note: For all other problems, contact an Authorized Service Dealer.

Specifications

Specifications Chart (Broadmoor™ Models)

Item					
MODELS	2691670	2691671	2691672	2691673	2691674
ENGINE	Professional Series by Briggs & Stratton® w/ ReadyStart	Professional Series by Briggs & Stratton® w/ ReadyStart	Professional Series by Briggs & Stratton® w/ ReadyStart	Professional Series by Briggs & Stratton® w/ ReadyStart	Professional Series by Briggs & Stratton® w/ ReadyStart
Displacement	724 cc	724 cc	724 cc	724 cc	724 cc
Electrical System	16-Amp	16-Amp	16-Amp	16-Amp	16-Amp
Battery	230 CCA	230 CCA	230 CCA	230 CCA	230 CCA
Oil Capacity	64 oz	64 oz	64 oz	64 oz	64 oz
Spark Plug Gap	.030 in (.76 mm)	.030 in (.76 mm)	.030 in (.76 mm)	.030 in (.76 mm)	.030 in (.76 mm)
Spark Plug Torque	180 lb-in (20 Nm)	180 lb-in (20 Nm)	180 lb-in (20 Nm)	180 lb-in (20 Nm)	180 lb-in (20 Nm)
Fuel Capacity	3.6 Gal	3.6 Gal	3.6 Gal	3.6 Gal	3.6 Gal
TRANSMISSION					
Make and Type	Tuff Torq® K57	Tuff Torq® K57	Tuff Torq® K57	Tuff Torq® K62	Tuff Torq® K62
MOWER DECKS					
Width of cut	44 in (112 cm)	48 in (122 cm)	50 in (127 cm)	48 in (122 cm)	52 in (132 cm)
Number of Blades	3 standard lift	3 standard lift	3 standard lift	3 standard lift	3 standard lift
Cutting Height	1.5-4.0 in (3.8 - 10.2 cm)	1.5-4.0 in (3.8 - 10.2 cm)	1.5-4.0 in (3.8 - 10.2 cm)	1.5-4.0 in (3.8 - 10.2 cm)	1.5-4.0 in (3.8 - 10.2 cm)
CHASSIS					
Front Wheels Tire Size	15 x 6-6	15 x 6-6	16 x 6.5-8	16 x 6.5-8	16 x 6.5-8
Tire Inflation Pressure, Front	12-14 psi (0.82 - 0.92 Bar)	12-14 psi (0.82 - 0.92 Bar)	12 - 14 psi (0.82 - 0.92 Bar)	12-14 psi (0.82 - 0.92 Bar)	12-14 psi (0.82 - 0.92 Bar)
Rear Wheels Tire Size	22 x 10-10	22 x 10-10	22 x 10-10	22 x 10-10	23 x 10.5-12
Tire Inflation Pressure, Rear	10 psi (0.68 Bar)	10 psi (0.68 Bar)	10 psi (0.68 Bar)	10 psi (0.68 Bar)	10 psi (0.68 Bar)

Specifications Chart (Conquest™ Models)

Item		
MODELS	2691675	2691676
ENGINE	Commercial Series by Briggs & Stratton® with EFM	Commercial Series by Briggs & Stratton® with EFM
Displacement	724 cc	724 cc
Electrical System	16-Amp	16-Amp
Battery	350 CCA	350 CCA
Oil Capacity	64 oz	64 oz
Spark Plug Gap	.030 in (.76 mm)	.030 in (.76 mm)
Spark Plug Torque	180 lb-in (20 Nm)	180 lb-in (20 Nm)
Fuel Capacity	3.6 Gal	3.6 Gal
TRANSMISSION		
Make and Type	Tuff Torq® K66	Tuff Torq® K66
MOWER DECKS		
Width of cut	50 in (127 cm)	52 in (132 cm)
Number of Blades	3 standard lift	3 standard lift
Cutting Height	1.5-4.0 in (3.8 - 10.2 cm)	1.5-4.0 in (3.8 - 10.2 cm)
CHASSIS		
Front Wheels Tire Size	16 x 6.5-8	16 x 6.5-8
Tire Inflation Pressure, Front	12-14 psi (0.82 - 0.92 Bar)	12-14 psi (0.82 - 0.92 Bar)
Rear Wheels Tire Size	23 x 10.5-12	23 x 10.5-12

Item		
Tire Inflation Pressure, Rear	10 psi (0.68 Bar)	10 psi (0.68 Bar)

Specifications Chart (Prestige™ Models)

Item		
MODELS	2691677	2691678
ENGINE	Commercial Series by Briggs & Stratton® with EFI	Commercial Series by Briggs & Stratton® with EFI
Displacement	810 cc	810 cc
Electrical System	16-Amp	16-Amp
Battery	350 CCA	350 CCA
Oil Capacity	67 oz	67 oz
Spark Plug Gap	.030 in (.76 mm)	.030 in (.76 mm)
Spark Plug Torque	180 lb-in (20 Nm)	180 lb-in (20 Nm)
Fuel Capacity	3.6 Gal	3.6 Gal
TRANSMISSION		
Make and Type	Tuff Torq® K72	Tuff Torq® K72
MOWER DECKS		
Width of cut	50 in (127 cm)	52 in (132 cm)
Number of Blades	3 standard lift	3 standard lift
Cutting Height	1.5-4.0 in (3.8 - 10.2 cm)	1.5-4.0 in (3.8 - 10.2 cm)
CHASSIS		
Front Wheels Tire Size	16 x 6.5-8	16 x 6.5-8
Tire Inflation Pressure, Front	12-14 psi (0.82 - 0.92 Bar)	12-14 psi (0.82 - 0.92 Bar)
Rear Wheels Tire Size	23 x 10.5-12	23 x 10.5-12
Tire Inflation Pressure, Rear	10 psi (0.68 Bar)	10 psi (0.68 Bar)

Power Ratings

The gross power rating for individual gasoline engine models is labeled in accordance with SAE (Society of Automotive Engineers) code J1940 Small Engine Power & Torque Rating Procedure, and is rated in accordance with SAE J1995. Torque values are derived at 2600 RPM for those engines with "rpm" called out on the label and 3060 RPM for all others; horsepower values are derived at 3600 RPM. The gross power curves can be viewed at www.BRIGGSandSTRATTON.COM. Net power values are taken with exhaust and air cleaner installed whereas gross power values are collected without these attachments. Actual gross engine power will be higher than net engine power and is affected by, among other things, ambient operating conditions and engine-to-engine variability. Given the wide array of products on which engines are placed, the gasoline engine may not develop the rated gross power when used in a given piece of power equipment. This difference is due to a variety of factors including, but not limited to, the variety of engine components (air cleaner, exhaust, charging, cooling, carburetor, fuel pump, etc.), application limitations, ambient operating conditions (temperature, humidity, altitude), and engine-to-engine variability. Due to manufacturing and capacity limitations, Briggs & Stratton may substitute an engine of higher rated power for this engine.

Parts and Accessories

Contact an Authorized Service Dealer.

Índice de contenidos:

Información general.....	24
Advertencia sobre el extintor de chispas de California.....	24
Propuesta 65 de California.....	24
Seguridad del operador.....	24
Características y controles.....	28
Operación.....	31
Mantenimiento.....	37
Almacenamiento.....	43
Solución de problemas.....	44
Especificaciones.....	45

Información general

Para obtener información adicional, consulte la *Guía de contactos del cliente* que se incluye con la unidad.

Las ilustraciones que aparecen en este documento son representativas. Su unidad podría verse diferente de las imágenes que se muestran. *IZQUIERDA* y *DERECHA* se usan como referencia desde la posición del operador.

El empleo de las palabras “Importante” y “Nota” en el texto indica aclaraciones, excepciones o alternativas a los procedimientos.

Todas las traducciones de este documento se derivan del archivo original en inglés.



Todos los envases, el aceite usado y las baterías deben reciclarse de acuerdo con las regulaciones gubernamentales aplicables.

Advertencia sobre el extintor de chispas de California



Es una violación del Código de Recursos Públicos de California, Sección 4442, utilizar u operar el motor en cualquier espacio con árboles, maleza o grama, a menos que el sistema de escape esté equipado con un extintor de chispas, como lo define la Sección 4442, mantenido en correcto funcionamiento. Otros estados o jurisdicciones federales pueden tener leyes similares. Póngase en contacto con el vendedor, el distribuidor o el fabricante del equipo original para obtener un extintor de chispas diseñado para el sistema de escape instalado en este motor.



Los bornes, los terminales y los accesorios relacionados de las baterías contienen plomo y componentes de plomo, sustancias químicas que el estado de California sabe que causan cáncer, defectos de nacimiento u otros daños reproductivos. Lávese las manos después de manipular estos elementos.

Propuesta 65 de California



Este producto puede exponerlo a sustancias químicas entre las que se incluyen emisiones de escape de motor de gasolina, reconocidas por el Estado de California como causantes de cáncer; y monóxido de carbono, reconocido por el Estado de California como causante de defectos de nacimiento u otros problemas reproductivos. Para obtener más información, visite www.P65Warnings.ca.gov.

Seguridad del operador

Guarde estas instrucciones para futuras referencias. Este manual contiene información sobre seguridad para hacer que tome conciencia de los peligros y riesgos asociados con el producto y cómo evitarlos. También contiene instrucciones importantes que deben seguirse durante la configuración inicial, el funcionamiento y el mantenimiento del producto.

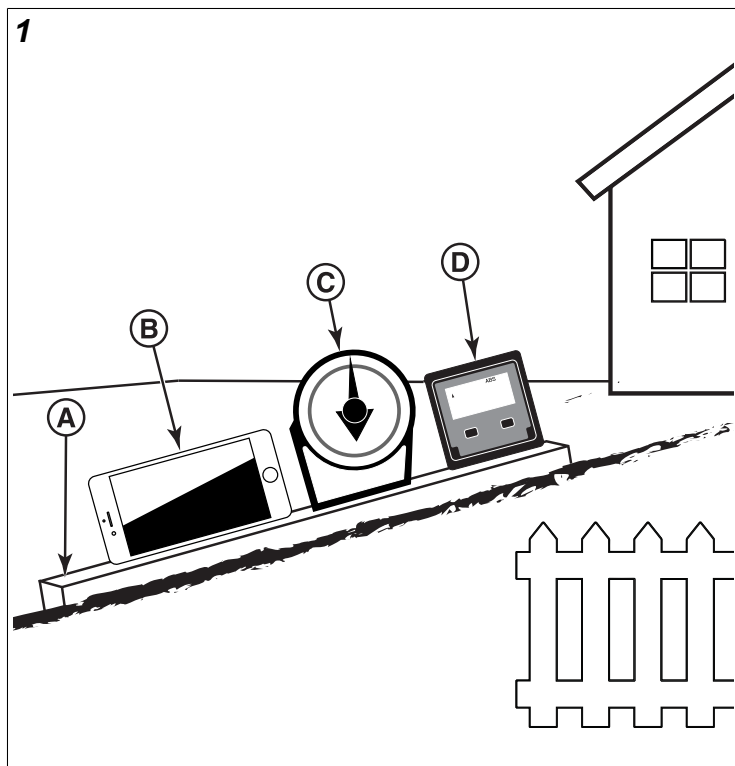
Este producto está diseñado y destinado al corte de césped con buen mantenimiento y no está diseñado para otros propósitos.

Es importante que lea y comprenda estas instrucciones antes de intentar arrancar u operar este equipo.

Asegúrese de estar completamente familiarizado con los controles y el uso correcto del producto.

Aprenda cómo detener la unidad y desactivar los controles rápidamente.

Guía de identificación de pendientes



Cómo medir la pendiente de una superficie del césped con un teléfono inteligente o una herramienta de medición de ángulos:

ADVERTENCIA

No opere la máquina en pendientes de más de 10 grados.



1. Use un borde recto de al menos dos (2) pies de largo (A, Figura 1). Una pieza de metal recta de 2 x 4 pies funciona bien.
2. Herramientas de medición de ángulos.
 - a. **Use su teléfono inteligente:** muchos teléfonos inteligentes (B, Figura 1) tienen un inclinómetro (buscador de ángulo) ubicado debajo de la aplicación de brújula (aplicación). O busque en una tienda de aplicaciones una aplicación de inclinómetro.
 - b. **Utilice las herramientas del buscador de ángulo:** las herramientas del buscador de ángulos (C y D, figura 1) están disponibles en las ferreterías locales o en línea (también llamadas inclinómetro, transportador, medidor de ángulo o calibrador de ángulo). Aquellas con dial (C) o digitales (D) funcionan, otras pueden no funcionar. Lea y siga las instrucciones de la herramienta de medición de ángulos.
3. Coloque el borde recto de dos (2) pies a lo largo de la parte más empinada de la pendiente del césped. Coloque la placa hacia arriba y hacia abajo de la pendiente.

4. Coloque el teléfono inteligente o la herramienta de medición de ángulos en el borde recto y lea el ángulo en grados. Esta es la pendiente de su césped.


Nota: Se incluye una guía de identificación de pendientes con calibradores de papel en el paquete de la documentación del producto y también se puede descargar desde el sitio web del fabricante.

Símbolos de seguridad y significados


Símbolo	Significado
	Información de seguridad sobre los riesgos que pueden provocar lesiones físicas.
	Lea y entienda el Manual del operador antes de operar o reparar la unidad.
	Retire la llave y lea el Manual del operador antes de reparar la unidad.
	Pare
	Peligro de incendio
	Peligro de explosión
	Peligro de descarga eléctrica
	Peligro de vapores tóxicos
	Piezas móviles


Símbolo	Significado
	Llevar puesta la protección para los ojos.
	Sustancia química peligrosa
	Peligro de superficie caliente
	Peligro de amputación
	Peligro de objetos arrojados
	Mantenga una distancia segura
	Mantenga a los niños alejados
	Peligro de vuelco
	Peligro de amputación


Símbolo de alerta de seguridad y palabras de señalización

El símbolo de alerta de seguridad  identifica información de seguridad sobre peligros que pueden provocar lesiones personales. Se usa una palabra de señalización (**PELIGRO**, **ADVERTENCIA** o **PRECAUCIÓN**) junto con el símbolo de alerta para indicar la probabilidad y la gravedad

potencial de las lesiones. Además, se puede usar un símbolo de peligro para representar el tipo de riesgo.

 **PELIGRO** indica un peligro que, si no se evita, **provocará** la muerte o lesiones graves.

 **ADVERTENCIA** indica un peligro que, si no se evita, **podría** ocasionar la muerte o lesiones graves.

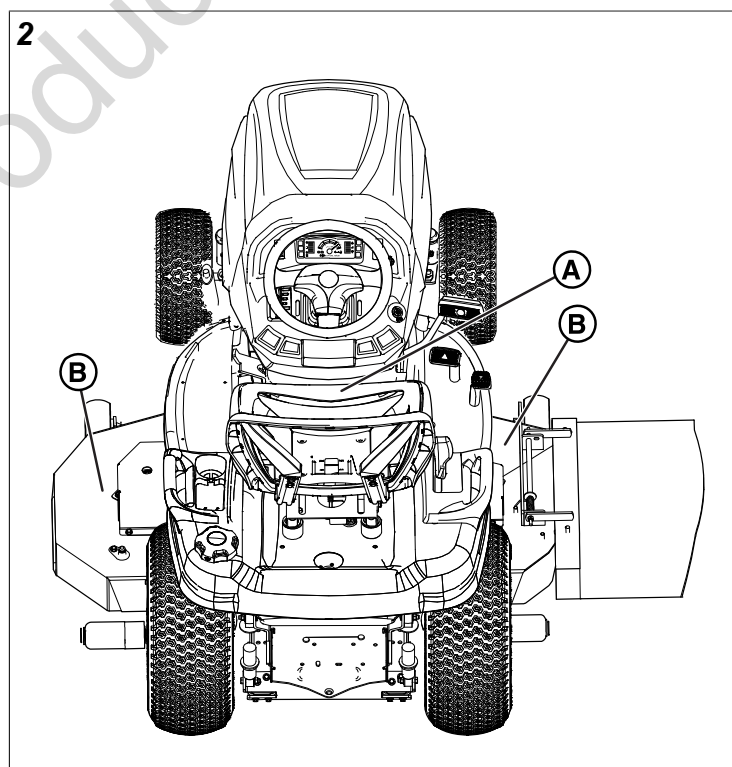
 **PRECAUCIÓN** indica un peligro que, si no se evita, **podría** ocasionar lesiones menores o moderadas.

AVISO indica información que se considera importante pero que no está relacionada con un peligro.

Ubicaciones de las calcomanías de seguridad

Antes de operar la unidad, lea y comprenda las siguientes calcomanías de seguridad. Compare la Figura 2 con la tabla a continuación. Las advertencias y precauciones son para su seguridad. Para evitar lesiones físicas o daños en la máquina, lea atentamente y cumpla con todas las indicaciones de las calcomanías de seguridad.






Si alguno de los indicadores de seguridad se daña o se gasta y no se puede leer, ordene indicadores de reemplazo a su distribuidor local.



A

⚠ DANGER		
<p>Amputation hazard Rotating blades cut off arms and legs.</p> <ul style="list-style-type: none"> Stop the mower when children or others are near. Do not carry riders (especially children) even with the blades off. They may fall off or return for another ride when you are not expecting it. Look down and behind before and while backing. 	<p>Loss of control and roll-over hazard Operating on slopes can be hazardous and cause loss of control and roll-overs.</p> <ul style="list-style-type: none"> Avoid sudden turns or rapid speed changes. Reduce speed and use extreme caution on slopes. Go up and down slopes, NOT across. Do not operate on slopes over 10 degrees. If machine stops while going uphill, stop the blades and back down slowly. 	<p>Water, retaining walls and drop-off hazards Wheels dropping over edges may result in serious injury, death or drowning.</p> <ul style="list-style-type: none"> Do NOT operate near water, retaining walls or drop-offs. Give yourself a minimum of two mower widths of clearance around these hazards.
⚠ WARNING		
<p>Avoid serious injury or death Read the operator's manual before using this product.</p> <ul style="list-style-type: none"> Do NOT operate this machine unless you are trained. Know the location and function of all controls. Keep safety devices (guards, shields, switches, etc.) in place and working. Remove objects that could be thrown by the blade. 	<p>Fire hazard Gasoline is flammable. Yard debris is combustible.</p> <ul style="list-style-type: none"> Allow engine to cool for at least 3 minutes before refueling. Keep unit cleaned of debris. This equipment may create sparks that can start fires around dry vegetation. A spark arrester may be required. Contact local fire agencies for regulations relating to fire prevention requirements. 	

The spark system complies with the Canadian standard KC35-001.


	Advertencia: Las baterías producen gases explosivos: Lea y comprenda el manual del operario antes de utilizar esta máquina.
	
	Importante: No tire la batería a la basura: Póngase en contacto con las autoridades locales para desechar o reciclar las baterías.
	
	Enjuaguese Inmediatamente los Ojos con Agua. Busque rápidamente ayuda médica.

B

⚠ DANGER

Amputation and thrown objects hazard

- Keep hands and feet away from deck.
- Do not operate mower unless discharge chute or entire grass catcher is in its proper place.





7101665

Calcomanía de seguridad de la batería



⚠ DANGER/POISON	⚠ PELIGRO/VENENO
<p>SHIELD EYES: EXPLOSIVE GASES CAN CAUSE BLINDNESS OR INJURY.</p> <p>NO SPARKS: FLAMES + SMOKEING</p>	<p>SULFURIC ACID: CAN CAUSE BLINDNESS OR SEVERE BURNS.</p> <p>FLUSH EYES IMMEDIATELY WITH WATER.</p>
<p>KEEP OUT OF THE REACH OF CHILDREN.</p>	<p>READ ALL INSTRUCTIONS.</p> <p>DO NOT OPEN BATTERY! DO NOT TIP!</p>
<p>12V Made in USA with US and imported materials</p> <p>Pb</p>	

	Advertencia: Peligro de incendio: Mantenga a los niños, las llamas abiertas y las chispas alejados de la batería, la que podría encender gases explosivos.
	Advertencia: El ácido sulfúrico puede provocar ceguera o quemaduras graves: Siempre use gafas de seguridad o una careta de seguridad cuando trabaje en una batería o cerca de ella.

Mensajes de seguridad



Lea, comprenda y obedezca todas las instrucciones y advertencias en el Manual del operador y en la máquina, el motor y los aditamentos antes de operarla. El incumplimiento de las instrucciones de seguridad incluidas en este manual y en el equipo podría ocasionar la muerte o lesiones graves.

- Solo permita que operadores responsables, capacitados, familiarizados con las instrucciones y físicamente aptos operen la máquina.
- No opere la unidad si está bajo los efectos del alcohol o las drogas.
- Use gafas de seguridad y calzado cerrado.
- No coloque las manos o los pies cerca de piezas giratorias o debajo de la máquina. Manténgase lejos de la abertura de descarga en todo momento.
- Mantenga la máquina en buenas condiciones de funcionamiento. Cambie las piezas desgastadas o dañadas.
- Tenga cuidado cuando repare las cuchillas. Envuelva las cuchillas o use guantes. Reemplace las cuchillas dañadas. No repare ni altere las cuchillas.
- Use rampas de ancho completo cuando cargue y descargue una máquina para el transporte.
- Ver el aditamento o accesorio para conocer los pesos o contrapesos adecuados de las ruedas.
- Para ayudar a prevenir incendios, mantenga la máquina libre de hierba, hojas u otro material no deseado. Limpie el aceite restante o los derrames de combustible y deje que la máquina se enfríe antes de su almacenamiento.



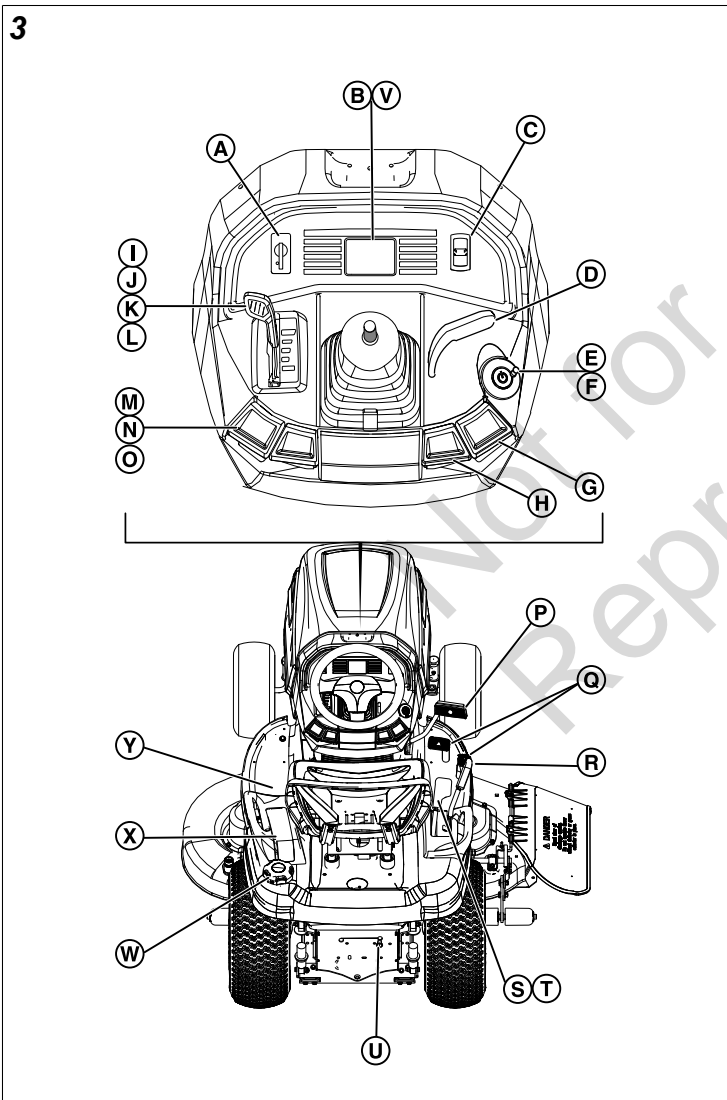
ADVERTENCIA

Los motores emiten monóxido de carbono, un gas venenoso, incoloro e inodoro. La inhalación de monóxido de carbono puede provocar dolor de cabeza, fatiga, mareos, vómitos, confusión, convulsiones, náuseas, desmayos o incluso la muerte.

- Opere el equipo ÚNICAMENTE al aire libre.
- Evite que los gases de escape entren en un espacio cerrado a través de las ventanas, puertas, tomas de aire de ventilación u otras aberturas.

Características y controles

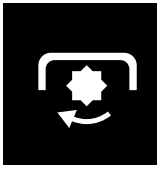

Asegúrese de que las letras en la Figura 3 concuerden con las características y los controles mencionados en la tabla siguiente.







Control Symbols and Meanings

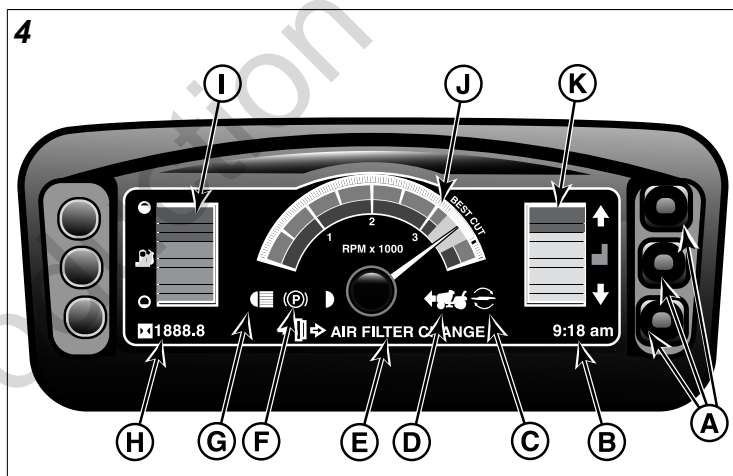
A		Opción de corte de césped marcha atrás (RMO)
---	--	----------------------------------------------

B		Panel electrónico con guiones (Prestige/Conquest)
B		Contador horario (Broadmoor™)
C		Interruptor de altura de corte
D		Palanca de elevación eléctrica (si está equipado)
E		Llave de acceso
F		Botón pulsador de arranque <input type="checkbox"/> APAGADO <input type="checkbox"/> ENCENDIDO
G		Interruptor de luces delanteras
H		Control de freno de estacionamiento
I		Estrangulador
J		Control del acelerador

K		Posición LENTA del control del acelerador
L		Posición RÁPIDO del control del acelerador
M		Toma de fuerza (PTO)
N		Toma de fuerza (PTO), hojas activadas
O		Toma de fuerza (PTO), hojas desactivadas
P		Pedal de freno
Q		Pedales de velocidad de desplazamiento
R		Palanca de elevación mecánica (si está equipado)
S		Control de crucero
T		Bloqueo de control de crucero
U		Palanca de liberación de la transmisión

V		Indicador de nivel de combustible (si está equipado)
W		Tanque de combustible
X		Tomacorriente de 12 voltios
Y		Pedal de bloqueo del diferencial (si está equipado)

Panel electrónico con guiones (si está equipado)



El panel electrónico con guiones (Figura 4) muestra el estado de operación para varios parámetros de equipos y motores. Proporciona funciones de reloj y temporizador para el mantenimiento del aceite y del filtro de aire, y para realizar seguimiento de las horas trabajadas. Los datos se retienen si se desconecta la batería o si se interrumpe la energía.

Nota: La pantalla de altura de la cubierta de la podadora requiere una conexión de mazo de cables entre la cubierta de la podadora y el tractor. Al instalar la cubierta de la podadora después del mantenimiento, asegúrese de que el mazo de cables esté conectado de forma adecuada; de lo contrario, la pantalla de altura de la cubierta de la podadora no funcionará.

A	Botones de control: MODO (MODE) (botón superior), ARRIBA (UP) (botón central) y ABAJO (DOWN) (botón inferior).
B	Pantalla de reloj: Reloj de 12 horas con a. m. y p. m.
C	Ícono de la hoja: Se ilumina cuando se activa la toma de fuerza (PTO).
D	Ícono del tractor: Se ilumina cuando se activa el control de crucero.
E	Pantalla de mensaje: Le comunica al operador que la unidad requiere mantenimiento.

F	Ícono de freno de estacionamiento: Se ilumina cuando se activa el freno de estacionamiento.
G	Ícono de faro delantero: Se ilumina cuando se activan los faros.
H	Contador horario: Muestra el total de horas de funcionamiento acumuladas de manera predeterminada. Cuando se presiona hacia abajo el botón MODO, el contador horario muestra las horas de desplazamiento.
I	Barras de nivel de combustible: Se ilumina para mostrar el nivel aproximado de combustible en el tanque. Cuando llegue a dos barras, el ícono de la bomba de combustible parpadeará, para recordarle que tiene que añadir combustible.
J	Tacómetro con ícono de margen de mejor corte: Indica la velocidad del motor desde 1000 hasta 4000 RPM. El margen de mejor corte muestra el rendimiento óptimo entre la velocidad del motor y los ajustes de la configuración de la altura de la podadora.
K	Barras de altura de la podadora: Muestra la altura aproximada de la podadora.

Funciones del contador horario (H, Figura 4)

- De manera predeterminada, el contador horario muestra el total de horas de funcionamiento acumuladas.
- Cuando el medidor alcance las 1999,9 horas, se restablecerá automáticamente en cero.

Horas de desplazamiento

- Presione el botón MODO (MODE) (A, Figura 4) para que muestre las horas de desplazamiento.
- Presione nuevamente el botón MODO (MODE) durante 3 segundos para restablecer las horas de desplazamiento en cero.

Horas de aceite

- Presione el botón MODO (MODE) (A, Figura 4) dos veces para que muestre las horas de aceite.
- Después de que cambie el filtro y del aceite, presione el botón MODO (MODE) durante 3 segundos para restablecer las horas de aceite en cero.

Horas del filtro de aire

- Presione el botón MODO (MODE) (A, Figura 4) tres veces para que muestre las horas de filtro de aire.
- Después de que haya limpiado o cambiado el filtro, mantenga presionado el botón MODO (MODE) durante 3 segundos para restablecer las horas de filtro de aire en cero.

Ajuste de reloj (B, Figura 4)

- Presione el botón MODO (MODE) (A, Figura 4) cuatro veces para ajustar el reloj.
- Mantenga presionado el botón MODO (MODE) durante 3 segundos para que parpadee la hora.
- Presione los botones HACIA ARRIBA o HACIA ABAJO para cambiar la hora. (AM y PM cambiarán cuando la hora se ajuste pasadas las 12 en punto).
- Presione una vez el botón MODO (MODE) para que parpadeen los minutos.
- Presione los botones HACIA ARRIBA o HACIA ABAJO para cambiar los minutos.
- Después de que haya ajustado las horas y los minutos, presione el botón MODO (MODE) para volver a la pantalla predeterminada del reloj.

Nota: Si no presiona el botón MODO (MODE) después de cinco segundos, la pantalla no se restablecerá y el contador horario volverá al total de horas acumuladas.

Mensajes de mantenimiento (E, Figura 4)

Batería baja

- Este mensaje aparece cuando hay un problema con el voltaje de la batería.
- La pantalla se despeja automáticamente después de realizar mantenimiento a la batería.

Cambio de aceite

- Este mensaje aparece después de 50 horas de funcionamiento desde el restablecimiento anterior.
- Después de cambiar el aceite y el filtro, presione el botón MODO (MODE) dos veces para mostrar las horas de uso del aceite.
- Mantenga presionado el botón Modo (MODE) durante 3 segundos para restablecer el temporizador en cero y despejar la pantalla.

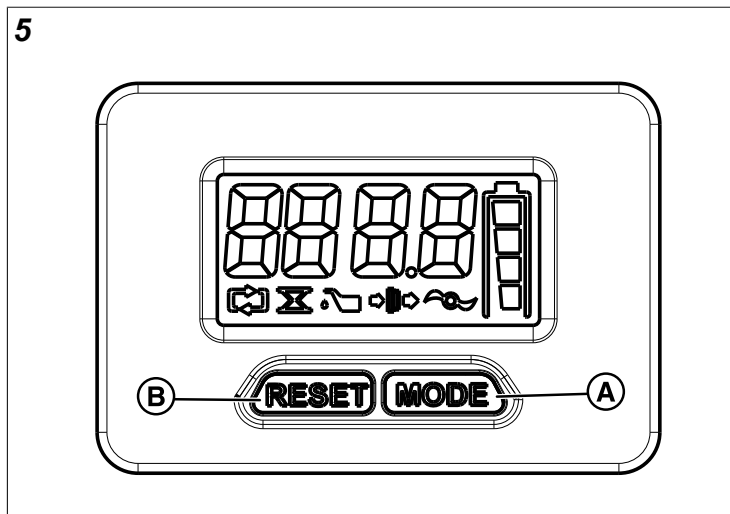
Filtro de aire

- Este mensaje aparece después de 25 horas del tiempo de operación.
- Después de limpiar y cambiar el filtro de aire, presione MODO (MODE) tres veces para mostrar las horas de filtro de aire.
- Mantenga presionado el botón Modo (MODE) durante 3 segundos para restablecer el temporizador en cero y despejar la pantalla.

Nota: Cuando aparezca el mensaje BATERÍA BAJA (LOW BATTERY), tendrá prioridad frente a otros mensajes. Realice mantenimiento en la batería primero, luego revise en la pantalla los demás mensajes de mantenimiento.

Contador horario (si está equipado)

El contador de horas (Figura 5) muestra el total de horas, horas de desplazamiento y el reloj digital.



Mostrar el total de horas, las horas de desplazamiento y el reloj

Cuando arranca la unidad, se muestra el total de horas. El total de horas se restablece automáticamente en 0 después de alcanzar 999,9.

1. Presione el botón MODO (MODE) (A, Figura 5) durante menos de un segundo para que muestre las horas de desplazamiento.
2. Presione el botón RESTABLECER (RESET) durante más de 3 segundos para configurar las horas de desplazamiento a 0.
3. Presione MODO (MODE) durante menos de un segundo para que se vea el reloj. Presione el botón MODO (MODE) durante más de 3 segundos. Las horas parpadearán en la pantalla. Presione el botón RESTABLECER (RESET) para ajustar las horas. Presione el botón MODO (MODE) durante menos de un segundo para guardar el ajuste. Los minutos parpadearán en la pantalla. Presione el botón RESTABLECER (RESET) para ajustar los minutos. Presione el botón MODO (MODE) durante menos de un segundo para guardar el ajuste.
4. Presione el botón MODO (MODE) durante menos de un segundo para volver al total de horas.

Tomacorriente de 12 voltios

Use el enchufe auxiliar de 12 voltios para alimentar dispositivos electrónicos pequeños. El aditamento debe tener una calificación de 9 amperios o menos. Consulte *Características y controles*.

AVISO

El auxiliar de 12 voltios puede descargar la batería, en especial cuando el motor está en ralentí. Cuando no se use el enchufe auxiliar, se lo debe cubrir con un tapón de caucho. La entrada de agua en el enchufe puede provocar un cortocircuito.

Operación

Lea la sección *Seguridad del operador* antes de operar esta máquina. Asegúrese de conocer los controles y cómo detener la unidad.

Área de funcionamiento

1. Conozca el área donde planea operar la cortacésped.
2. Asegúrese de que el área esté libre de residuos u objetos que pudieran ser levantados por las cuchillas y arrojados.



Esta máquina es capaz de arrojar objetos que podrían lesionar a los transeúntes o causar daños a edificios.

- No opere la máquina sin que la totalidad del recogedor de césped, el conducto de descarga u otros dispositivos de seguridad estén colocados y en su debido funcionamiento. Verifique con frecuencia en busca de signos de desgaste o deterioro, y realice reemplazos según sea necesario.
 - Elimine del área de funcionamiento cualquier objeto que pudiera ser arrojado o interferir en el funcionamiento de la máquina.
3. Mueva la cortacésped tipo tractor, antes de encender el motor.



Los motores emiten monóxido de carbono, un gas venenoso, incoloro e inodoro. Respirar monóxido de carbono puede causar náuseas, desmayos, o incluso la muerte.

4. Tenga en cuenta todas las pendientes y puntos de descenso.



El funcionamiento en pendientes, cerca del agua o puntos de descenso puede causar pérdida del control y vuelco.

- Corte el césped en pendientes hacia arriba y hacia abajo y no hacia los costados.
- Reduzca la velocidad y tenga cuidado en las pendientes.
- No opere la unidad sobre pendientes de más de 10 grados, lo que equivale a 3,5 pies de elevación por 20 pies de longitud.
- Manténgase a una distancia mínima equivalente al ancho de dos cortacéspedes del agua, paredes de retención o puntos de descenso.
- Evitar cortar césped húmedo.
- No opere la máquina en ninguna condición en donde dude de la tracción, la dirección o la estabilidad. Los neumáticos podrían deslizarse incluso si se detienen las ruedas.
- Evite arrancar y detenerse en pendientes.
- Evite realizar cambios repentinos en la velocidad o en la dirección.
- Realice los giros de forma lenta y gradual.
- Sea cuidadoso al operar la máquina con un recogedor de césped u otros aditamentos. Pueden afectar la estabilidad de la máquina.
- Siga las recomendaciones del fabricante en cuanto a los límites de peso para equipos remolcados y remolque en pendientes. Consulte *Equipos remolcados*.

5. Asegúrese de que el área de operación esté libre de espectadores, especialmente los niños.



Esta cortacésped tipo tractor es capaz de amputar manos y pies.

- Detenga la cortacésped cuando haya niños u otras personas cerca.
- Mantenga a los niños fuera del área de funcionamiento y bajo la vigilancia atenta de otro adulto responsable.
- Nunca lleve pasajeros, especialmente niños, incluso con las cuchillas detenidas. Pueden caerse y resultar heridos de gravedad o interferir con la operación segura de la máquina. Los niños que han montado en una podadora en el pasado pueden aparecer repentinamente en la zona en la que está cortando el césped para que los lleve y pueden caerse o ser atropellados por la máquina.
- Tenga cuidado al acercarse a esquinas ciegas, arbustos, árboles u otros objetos que puedan dificultar la visión.

Pruebas del sistema de interbloqueo de seguridad

Esta máquina está equipada con un sistema de interbloqueo de seguridad. No intente desviar ni alterar los interruptores y dispositivos.



Si la máquina no pasa una prueba de seguridad, no la ponga en funcionamiento. Consulte a un distribuidor autorizado.

Prueba 1: El motor NO arrancará si:

- El interruptor de toma de fuerza está ENCENDIDO; O
- El pedal del freno NO se oprimió completamente (freno de estacionamiento DESACTIVADO [OFF]), O
- El operador NO está en su asiento.

Prueba 2: El motor girará y arrancará si:

- El interruptor de toma de fuerza está APAGADO; Y
- El operador está en su asiento, Y
- El pedal del freno se oprimió completamente (freno de estacionamiento ACTIVADO [ON]).

Prueba 3: El motor se APAGARÁ si:

- El operador se levanta del asiento con la toma de fuerza (PTO) activada, O
- El operador se levanta del asiento y NO presiona el pedal de freno completamente (con el freno de mano DESACTIVADO).

Prueba 4: Control del tiempo de parada de la hoja de la podadora

Las hojas de la podadora y la correa de transmisión de la podadora deberán detenerse por completo dentro de los cinco segundos siguientes al apagado del interruptor de la

toma de fuerza. Si la correa de transmisión de la podadora no se detiene al cabo de cinco segundos, consulte a un distribuidor autorizado.

Prueba 5: Verifique la opción de corte de césped marcha atrás (Reverse Mowing Option, RMO)

- El motor se apagará cuando se intente el desplazamiento marcha atrás con la toma de fuerza (PTO) encendida y la opción de corte de césped marcha atrás (RMO) activada.
- La luz de RMO se encenderá cuando se active la opción RMO.



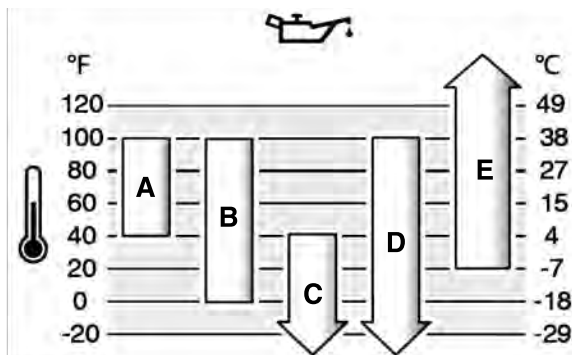
Cortar el césped marcha atrás puede ser peligroso para los transeúntes. Pueden ocurrir accidentes graves si el operador no está atento ante la presencia de niños. Nunca active la opción de corte de césped marcha atrás si hay niños presentes. Los niños suelen sentirse atraídos por la máquina y por la actividad del cortacésped.

Motor

Revisión y adición de aceite de motor

Use aceite certificado con la Garantía Briggs & Stratton® para obtener el mejor rendimiento. Otros aceites detergentes de alta calidad son aceptables si están clasificados para servicio SF, SG, SH, SJ o superior. No use aditivos especiales.

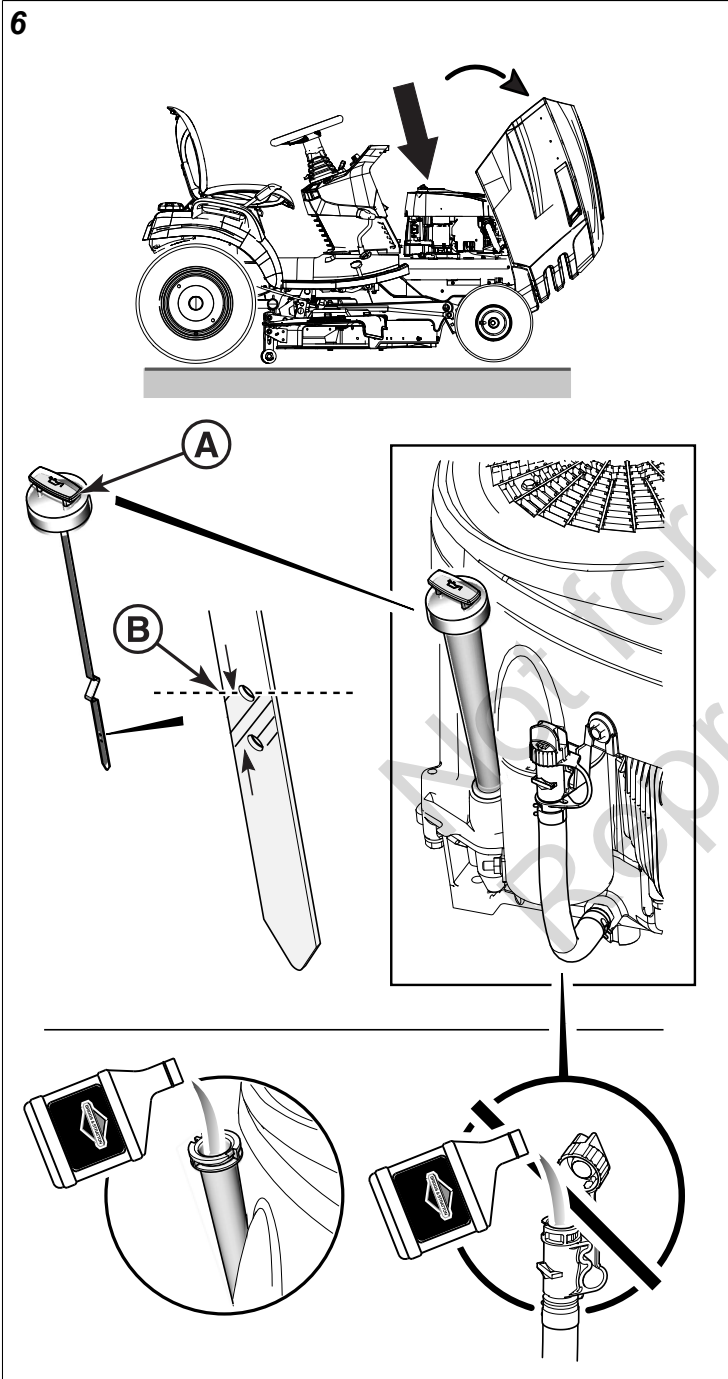
Las temperaturas exteriores determinarán la viscosidad correcta del aceite para el motor. Use la tabla para seleccionar la mejor viscosidad para el margen de temperatura exterior que se espera.



A	SAE 30: El uso de SAE 30 a temperaturas inferiores a 40 °F (4 °C) provocará dificultades de arranque.
B	10W-30: El uso de 10W-30 a temperaturas superiores a 80 °F (27 °C) puede provocar un aumento en el consumo de aceite. Inspecciones el nivel de aceite con más frecuencia.
C	5W-30
D	5W-30 sintético
E	Aceite sintético Vanguard® 15W-50

1. Coloque la unidad en una superficie de nivel (Figura 6).
2. Detenga el motor y retire la llave de acceso (E, Figura 3).
3. Retire todo el material no deseado de la zona de la tapa de llenado de aceite.

4. Retire la varilla (A, Figura 6) de la tapa de llenado de aceite. Quite el aceite restante de la varilla.
5. Instale la varilla de aceite y apriétela. Quite nuevamente la varilla. Asegúrese de que el nivel de aceite esté en la marca de LLENO (B, Figura 6).
6. Si el nivel de aceite está BAJO, agregue aceite del motor. Consulte la sección *Especificaciones*.
7. Espere un minuto. Asegúrese de que el nivel de aceite esté en la parte superior del indicador de LLENO. Instale la varilla y apriétela.



Presión de aceite

Si la presión de aceite es demasiado baja, un interruptor de presión (si está equipado) detendrá el motor o activará

un dispositivo de advertencia en el equipo. Si esto ocurre, detenga el motor y revise el nivel de aceite con la varilla.

Si el nivel de aceite está bajo la marca AGREGAR, agregue aceite hasta que llegue a la marca LLENO. Arranque el motor y verifique la presión de aceite correcta antes de continuar operando la máquina.

Si el nivel de aceite está entre las marcas AGREGAR y LLENO, **NO arranque el motor**. Comuníquese con un distribuidor de servicio autorizado para que se corrija el problema de presión del aceite.

Cómo agregar combustible

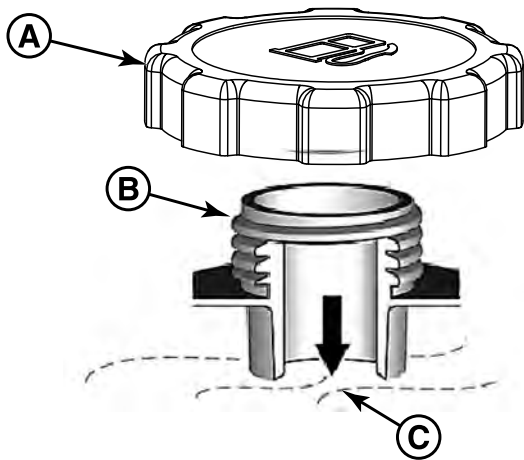


El combustible y sus vapores son extremadamente inflamables y explosivos. Siempre manipule el combustible con extremo cuidado. Si no cumple estas instrucciones de seguridad, puede provocar un incendio o una explosión, lo que podría provocar quemaduras graves o la muerte.

Cuando agregue combustible

- Detenga el motor y deje que se enfríe por lo menos 3 minutos antes de quitar la tapa del combustible.
 - Apague cigarrillos, puros, pipas y cualquier otra fuente de ignición.
 - Llène el tanque de combustible en exteriores o en un área bien ventilada.
 - No llene excesivamente el tanque de combustible. Para permitir la expansión del combustible, no llene el tanque por arriba de la parte inferior del cuello.
 - Mantenga el combustible alejado de chispas, llamas abiertas, llamas piloto, calor y otras fuentes de ignición.
 - Verifique con frecuencia las tuberías de combustible, el tanque, la tapa y los conectores, para constatar si presentan grietas o fugas. Reemplace las piezas, si es necesario.
 - Si se derrama el combustible, espere hasta que se evapore antes de encender el motor y evite crear cualquier fuente de ignición.
 - Use solo un recipiente para combustible aprobado.
1. Retire el material no deseado de la zona de la tapa de combustible.
 2. Quite la tapa del combustible (A, Figura 7).
 3. Llène el tanque (B) con combustible. NO llene más arriba de la parte inferior del cuello del tanque de combustible (C).
 4. Instale la tapa de llenado de combustible.

7



1. Verifique el nivel de aceite. Consulte *Revisión y adición de aceite de motor*.
2. Asegúrese de que los controles de transmisión del equipo estén desactivados.
3. Siéntese en el asiento y LEVANTE la palanca de ajuste del asiento para bloquearlo en posición.
4. Active el control del freno de estacionamiento. Empuje el pedal del freno, tire del control del freno de estacionamiento HACIA AFUERA y suelte el pedal.
5. Presionar el interruptor de la PTO para desactivarlo.
6. Ajuste el control del acelerador/estrangulador en la posición ESTRANGULADOR (si está equipado).
7. Asegúrese de que el inserto del arrancador esté instalado en el interruptor de ignición. Presione el botón de inicio dos veces y sosténgalo hasta que arranque el motor.
8. Después de que el motor arranque, mueva el control del acelerador/estrangulador a velocidad media. ENCIENDA el motor durante 30 segundos, como mínimo. De esta manera se calentará.
9. Ajuste el control del acelerador/estrangulador en la posición RÁPIDO.

Arranque el motor



ADVERTENCIA

El combustible y sus vapores son extremadamente inflamables y explosivos.

El fuego o la explosión pueden causar quemaduras graves o la muerte.

Cuando arranque el motor:

- Asegúrese de que la bujía, el silenciador, la tapa del combustible y el filtro de aire (si está equipado) estén colocados y fijos en su lugar.
- No arranque el motor si retiró la bujía.
- Si el motor se ahoga, coloque el estrangulador (si está equipado) en la posición de APERTURA/FUNCIONAMIENTO, coloque el acelerador (si está equipado) en la posición de RÁPIDO y arranque el motor hasta que se encienda.



ADVERTENCIA

Los motores emiten monóxido de carbono, un gas venenoso, incoloro e inodoro.

Respirar monóxido de carbono puede causar náuseas, desmayos, o incluso la muerte.

El fuego o la explosión pueden causar quemaduras graves o la muerte.

- Arranque y opere el motor en exteriores.
- No arranque el motor ni lo opere en un área encerrada, aun cuando las puertas o las ventanas se encuentren abiertas.

En caso de una emergencia, o retire la llave de acceso para detener inmediatamente el tractor y el motor.

Nota: Si el motor no arranca después de varios intentos, comuníquese con un distribuidor autorizado.

Detenga el motor



El combustible y sus vapores son extremadamente inflamables y explosivos. El fuego o la explosión pueden causar quemaduras graves o la muerte.

- No estrangule el carburador para detenga el motor.

1. Suelte los pedales de velocidad de desplazamiento (Q, Figura 3).
2. Desactive el interruptor de la toma de fuerza (PTO) (O). Espere que se detengan todas las piezas móviles.
3. Mueva el control del acelerador (J) a la posición LENTO.
4. Presione el pulsador de encendido/apagado (F) para DETENGA el motor.
5. Retire la llave de acceso (E) y manténgala fuera del alcance de los niños.
6. Active el control del freno de estacionamiento (H). Empuje el pedal del freno hacia abajo (P), tire del freno de estacionamiento hacia ARRIBA y suelte el pedal. En caso de una emergencia, oprima el botón de encendido/apagado, o retire la llave de acceso para detener inmediatamente el tractor y el motor.

Operación del tractor

1. Siéntese en el asiento y ajústelo para alcanzar cómodamente todos los controles. Consulte *Características y controles*.
2. Accione el freno de estacionamiento:
 - a. Presione totalmente el pedal del freno.
 - b. Tire del control del freno de estacionamiento HACIA ARRIBA.
 - c. Suelte el pedal del freno.
3. Asegúrese de que el interruptor de PTO esté desactivado.
4. Arranque el motor. Consulte *Arranque del motor*.
5. Desactive el freno de estacionamiento:
 - a. Presione hacia ABAJO el pedal del freno.
 - b. Presione hacia ADENTRO el control del freno de estacionamiento.
 - c. Suelte el pedal del freno.
6. Empuje hacia abajo el pedal de control de velocidad para avanzar. Suelte el pedal para detenerse.

Nota: Cuanto más empujado hacia abajo esté el pedal, más rápido avanzará el tractor.
7. Para detenga el tractor, suelte los pedales de control de velocidad, ponga el freno de estacionamiento y detenga el motor. Consulte *Detención del tractor y el motor*.

Tracción controlada automáticamente (Automatic Controlled Traction, ACT)

La tracción controlada automáticamente (ACT) aplica una cantidad predeterminada de torque en ambas ruedas posteriores, incluso si una rueda comienza a resbalarse. Una transmisión sin ACT perderá completamente la tracción si una rueda comienza a resbalarse. Este torque predeterminado es justo el suficiente para proporcionar tracción adicional y, aun así, permitir que las ruedas giren a diferentes velocidades en una vuelta estrecha sin ocasionar daño en el césped.

En determinadas circunstancias, el sistema ACT puede excederse, y es posible que una de las llantas traseras se resbale. Por ejemplo, si gira en una colina cuando acelera. Esto es normal. Si comienza a perder tracción, no acelere. En lugar de eso, baje la velocidad hasta detenerse, enderece el volante y acelere lentamente. Detener el tractor permite que la transmisión adquiera más tracción.

Cruise Control

Para activar:

- Presione la palanca de control de crucero hacia abajo (S, Figura 3) hasta que se haya alcanzado la velocidad deseada.

Para desactivar:

- Tire la palanca de control de crucero o presione el pedal de freno (P).

Corte del césped



PELIGRO

Esta máquina es capaz de amputar manos y pies, y arrojar objetos. El incumplimiento de las siguientes instrucciones de seguridad podría resultar en la muerte o lesiones graves.

- Maneje la máquina solo durante el día o con luz artificial potente.
 - Evite los agujeros, surcos, desniveles, rocas u otros peligros ocultos. El terreno desnivelado puede provocar el vuelco de la máquina o hacer que el operador pierda el equilibrio o la postura.
 - No dirija la descarga de material hacia las personas. Evite descargar material contra una pared u obstrucción, ya que el material puede rebotar hacia el operador.
 - Detenga las cuchillas cuando cruce sobre superficies de grava.
 - No deje desatendida una máquina en ejecución. Siempre estacione sobre suelo nivelado, desactive el aditamento, accione el freno de estacionamiento, detenga el motor y retire la llave de acceso.
1. Active el control del freno de estacionamiento (H, Figura 3).
 2. Asegúrese de que el interruptor de PTO (M) esté desactivado.
 3. Arranque el motor. Consulte *Arranque del motor*.
 4. Ajuste el control del acelerador (J) a la posición RÁPIDO.
 5. Active la PTO (N) para activar las cuchillas del cortacésped.
 6. Use el interruptor eléctrico de altura de corte (C) para ajustar la altura de corte al nivel deseado. Consulte *Ajuste de la altura de corte del cortacésped*.
 7. Desactive el freno de estacionamiento (H) y, luego, comience a podar.
 8. Apague la PTO.
 9. DETENGA el motor. Consulte *Detención del tractor y el motor*.



El motor se apagará si se oprime el pedal de velocidad de desplazamiento marcha atrás mientras la PTO esté activada y no se haya activado la RMO. El operador siempre debe apagar la PTO antes de conducir en caminos, senderos o áreas que pueden ser utilizados por otros vehículos. La pérdida de transmisión repentina puede crear un peligro.

Ajuste de la altura de corte del cortacésped

La palanca de elevación del cortacésped (D y R, Figura 3) baja la plataforma a la posición de corte o la eleva a la posición de transporte.

Para bajar la plataforma

Palanca de elevación mecánica - (si está equipado)

1. En el lado derecho, tire la palanca de elevación del cortacésped hacia atrás (R, Figura 3) a poca distancia.
2. Presiónela hacia la derecha.
3. Muévela hacia abajo.

Palanca de elevación eléctrica - (si está equipado)

1. Arranque la unidad. Asegúrese de no presionar el pedal de freno (P, Figura 3) hacia abajo.
2. Presione la palanca de elevación eléctrica (D, Figura 3) hacia adelante para bajar la plataforma a la posición de corte.

Suba la plataforma del cortacésped

Palanca de elevación mecánica - (si está equipado)

1. En el lado derecho, tire la palanca de elevación del cortacésped hacia arriba (R, Figura 3).
2. Bloquéela en la muesca a la izquierda.

Palanca de elevación eléctrica - (si está equipado)

1. Arranque la unidad. Asegúrese de no presionar el pedal de freno (P, Figura 3) hacia abajo.
2. Tire la palanca de elevación (D, Figura 3) hacia atrás hasta que la plataforma se encuentre en su posición más alta. Este es el modo de transporte.

Nota: No corte cuando esté en la posición elevada de transporte.

El interruptor eléctrico de altura de corte (C, Figura 3) controla la altura de corte del cortacésped. Consulte la sección *Especificaciones* para obtener especificaciones respecto de la altura de corte.

Opción de corte de césped marcha atrás (RMO)



Cortar el césped marcha atrás puede ser peligroso para los transeúntes. Pueden ocurrir accidentes graves si el operador no está atento ante la presencia de niños. Los niños suelen sentirse atraídos por la máquina y por la actividad del cortacésped. Nunca dé por hecho que los niños vayan a permanecer en el último lugar en el que los vio.

- Mantenga a los niños fuera del área de funcionamiento y bajo la vigilancia atenta de otro adulto responsable.
- Nunca lleve pasajeros, especialmente niños, incluso con las cuchillas detenidas. Pueden caerse y resultar heridos de gravedad o interferir con la operación segura de la máquina. Los niños que han montado en una podadora en el pasado pueden aparecer repentinamente en la zona en la que está cortando el césped para que los lleve y pueden caerse o ser atropellados por la máquina.
- No corte el césped dando marcha atrás, a menos que sea absolutamente necesario. Siempre mire hacia abajo y hacia atrás antes y durante la poda en reversa.
- Si la máquina poda marcha atrás sin tener activada la Opción de poda marcha atrás, consulte con un servicio autorizado de Briggs & Stratton de inmediato.

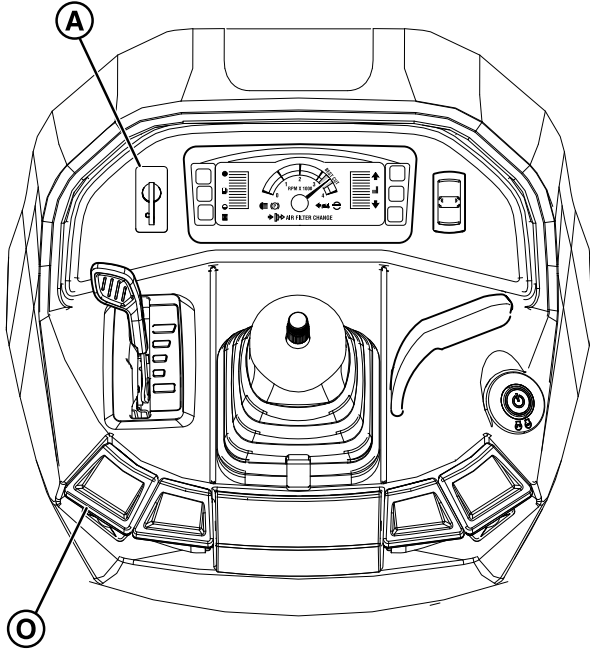


Corte de césped marcha atrás

La opción de corte de césped marcha atrás (RMO) permite que el operador corte el césped dando marcha atrás.

1. Active la toma de fuerza (PTO) (O, Figura 8).

8



2. Gire la llave RMO (A) a la posición ENCENDIDO.
3. La luz LED se encenderá.

Nota: La RMO se desactiva siempre que la PTO está desactivada. Retire la llave para prevenir el acceso a la RMO.

Mantenimiento



ADVERTENCIA
Las chispas no intencionales pueden provocar un incendio o una descarga eléctrica.

El arranque accidental puede provocar enredos, amputaciones traumáticas o laceraciones.

Antes de realizar ajustes o reparaciones:

- Desconecte el cable de la bujía y manténgalo lejos de la bujía.
- Desconecte la batería en el terminal negativo (solo motores con arranque eléctrico).
- Use solamente las herramientas correctas.
- No manipule el resorte del regulador, las conexiones u otras piezas para aumentar la velocidad del motor.
- Las piezas de repuesto deben ser del mismo diseño y deben ser instaladas en la misma posición que las piezas originales. Otras piezas pueden no funcionar igual de bien, pueden dañar la unidad, y pueden causar lesiones.
- No golpee el volante con un martillo o un objeto duro, ya que este puede romperse durante la operación.

Plan de mantenimiento

TRACTOR Y CORTACÉSPED

Cada 8 horas o diariamente

Verificar el sistema de interbloqueo de seguridad

Elimine el material no deseado del tractor, de la podadora y del compartimento del motor

Cada 25 horas o anualmente*

Verificar la presión de los neumáticos

Verificar del tiempo de detención de la cuchilla del cortacésped

Verificar si existen piezas sueltas en el tractor y el cortacésped

Cada 50 horas o anualmente*

Limpiar la batería y los cables

Verificar los frenos del tractor

Consulte con un distribuidor de servicio autorizado de Briggs & Stratton anualmente

Lubrique el tractor y el cortacésped.

Verifique las hojas de la cortacésped**

*Lo que ocurra primero.

**Verifique las cuchillas del cortacésped con más frecuencia en regiones con suelos arenosos o en condiciones de mucho polvo.

MOTOR

Primeras 5 horas

Cambie el aceite del motor

Cada 8 horas o diariamente

Revisar el nivel de aceite del motor

Cada 25 horas o anualmente*

Limpie el filtro de aire y el prefiltro**

Cada 50 horas o anualmente*

Cambie el aceite del motor

Reemplace el filtro de aceite

Anualmente

Reemplace el filtro de aire

Reemplace el prefiltro

Consulte con el distribuidor anualmente para que

Inspeccione el silenciador y el atrapachispas

Reemplace las bujías

Reemplace el filtro de combustible

Limpie el sistema de enfriado por aire.

*Lo que ocurra primero.

**Limpie más a menudo en condiciones de polvo o cuando haya material presente en el aire.

Sistema electrónico para la administración de combustible

El sistema controla la temperatura y la velocidad del motor y el voltaje de la batería para ajustar el estrangulador durante el arranque y el calentamiento. El sistema no tiene ajustes. Si hay problemas de arranque o funcionamiento, póngase en contacto con un distribuidor autorizado de Briggs & Stratton.

AVISO Asegúrese de seguir los pasos que figuran a continuación; de lo contrario, el sistema electrónico de gestión de combustible podría dañarse.

- Nunca arranque el motor si los cables de la batería están flojos.
- Gire la llave a la posición de apagado (OFF) o quite la llave de acceso antes de desconectar, retirar o instalar la batería.
- Nunca use un cargador de baterías para arrancar el motor.
- Nunca desconecte los cables de la batería mientras el motor esté en funcionamiento.
- Al conectar los cables de la batería, conecte el cable positivo (+) primero, y luego conecte el cable negativo (-) a la batería.
- Al cargar la batería, gire el interruptor de encendido a la posición de apagado (OFF) y desconecte el cable negativo (-) de la batería.
- No rocíe con agua el módulo de control electrónico.

Cargue la batería



ADVERTENCIA

Mantenga las llamas y las chispas lejos de la batería; los gases que emanan de ella son altamente explosivos. Ventile bien la batería cuando la esté cargando.

Una batería descargada o gastada puede causar daños en el sistema de carga o en otros componentes eléctricos. Si existen dudas sobre la causa del problema, consulte con el distribuidor de servicio autorizado de Briggs & Stratton. Si necesita reemplazar la batería, consulte *Clean the Battery and Cables (Limpieza de la batería y los cables)*.

Para cargar la batería, siga las instrucciones dadas por el fabricante del cargador de baterías, así como todas las advertencias incluidas en las secciones de reglas de seguridad de este manual. Cargue completamente la batería. No la cargue a una tasa superior a 10 amperios.

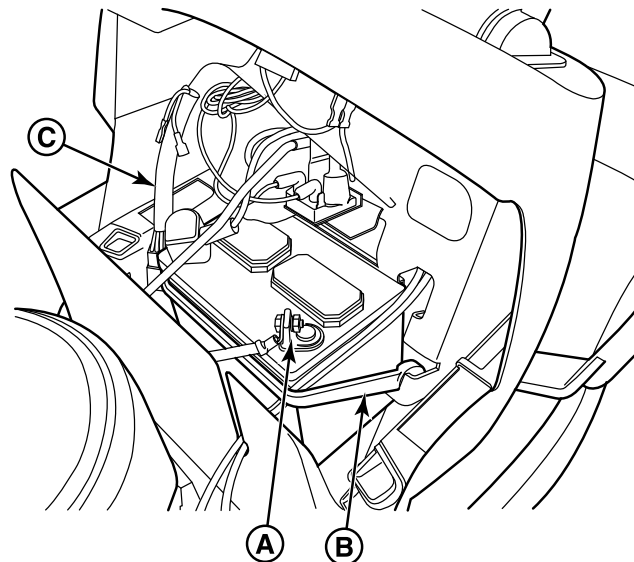
Mantenimiento de la batería



ADVERTENCIA

Si desconecta los cables de extensión de la batería, *primero* desconecte el cable de extensión negativo (-) de la batería y luego desconecte el cable de extensión positivo (+) de la batería. Si conecta los cables de extensión de la batería, *primero* conecte el cable de extensión positivo (+) de la batería y luego el cable de extensión negativo (-) de la batería. Si no se sigue este orden, el terminal positivo puede provocar un cortocircuito con el armazón mediante una herramienta.

9



1. NO retire ni conecte un cable de extensión de la batería con el motor en funcionamiento. Apague la unidad y retire la llave de acceso.
2. Primero desconecte el cable de extensión negativo (-) de la batería (A, Figura 9) de la batería. Luego, desconecte el cable de extensión positivo (+) de la batería.
3. Retire la correa de sujeción de la batería (B) y la batería.
4. Limpie el compartimento de la batería con una solución de bicarbonato de sodio y agua.
5. Limpie los terminales de la batería y los extremos de los cables con un cepillo de alambre y un limpiador de terminales.
6. Instale la batería con la correa de sujeción de la batería (B).
7. Primero conecte el cable positivo (+) de la batería a esta. Luego, desconecte el cable de extensión negativo (-) de la batería (A, Figura 9) a la batería.
8. Aplique una capa de vaselina o grasa no conductora a los extremos de los cables de extensión y a los terminales de la batería.

Tiempo de detención de la hoja de la podadora



ADVERTENCIA

Si la cuchilla del cortacésped no se detiene por completo dentro de 5 segundos, se deberá ajustar la cuchilla. No opere la máquina hasta que un distribuidor de servicio autorizado de Briggs & Stratton haya realizado el ajuste correcto.

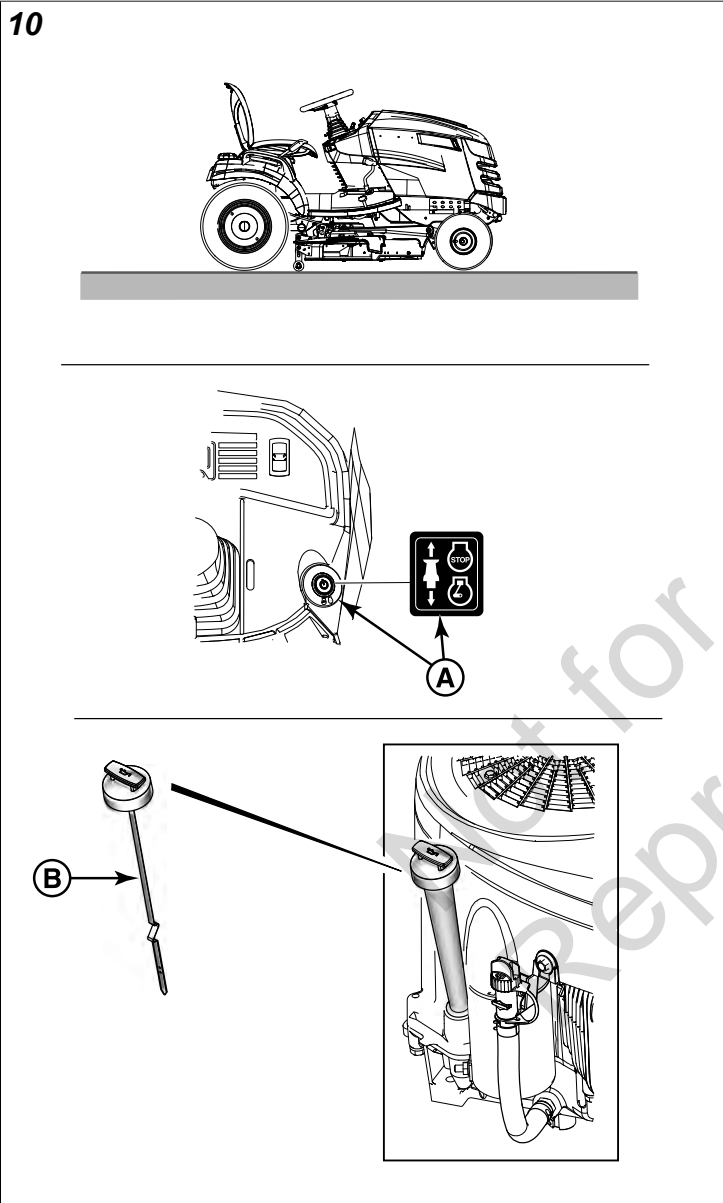
Las hojas de la podadora y la correa de transmisión de la podadora deben detenerse dentro de los cinco segundos siguientes al APAGADO del interruptor de la potencia de

la toma de fuerza (PTO). Si la correa de transmisión de la podadora no se detiene al cabo de cinco segundos, consulte a un distribuidor de servicio autorizado de Briggs & Stratton para su reparación.

Cambie el aceite del motor

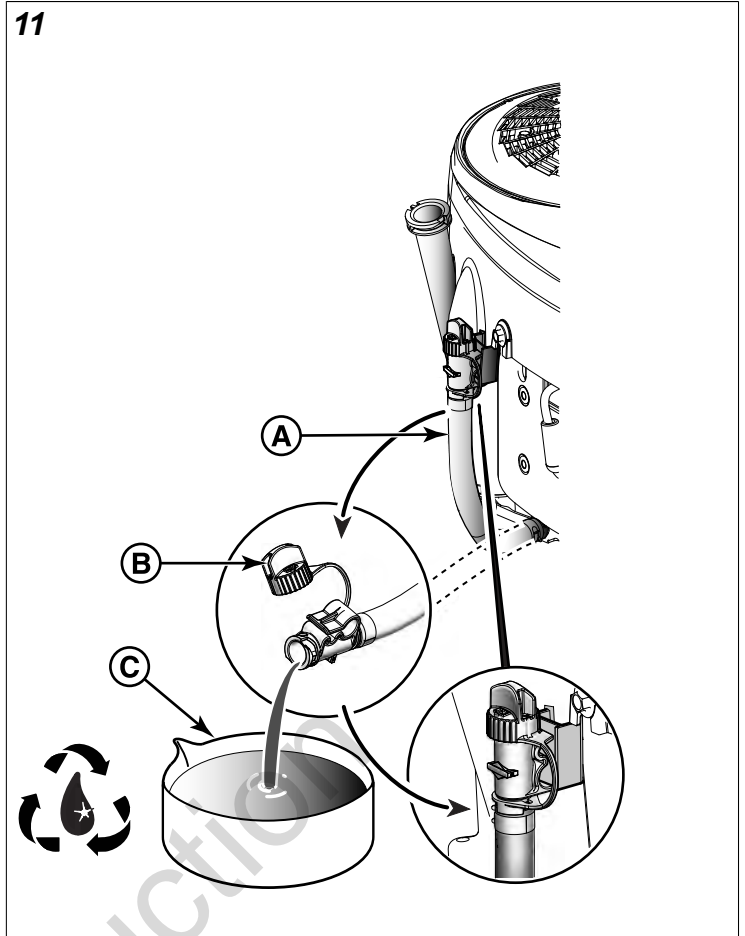
1. Haga funcionar el motor hasta que esté caliente.
2. Coloque el tractor en una superficie de nivel (Figura, 10).

10



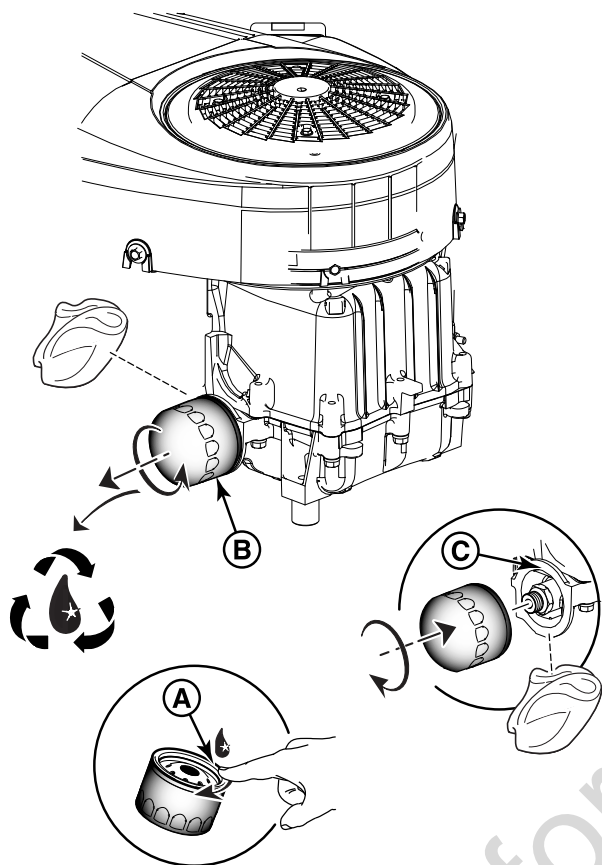
3. Detenga el motor y retire la llave de acceso (A, Figura 10).
4. Limpie la suciedad de las áreas de la tapa de llenado de aceite y del filtro.
5. Retire la varilla de nivel de aceite (B) y colóquela sobre un paño limpio.
6. Desconecte la manguera de drenaje de aceite (A, Figura 11).

11



7. Retire cuidadosamente la tapa (B) de llenado y baje la manguera hasta un recipiente aprobado (C).
8. Después de que se ha vaciado el aceite, instale bien la tapa, y luego monte la manguera en el lado del motor.
9. Retire el filtro de aceite (B, Figura 12) y descártelo.

12



10. Lubrique levemente la empaquetadura del filtro de aceite (A) con aceite limpio.
11. Instale manualmente el filtro de aceite hasta que el empaque haga contacto con el adaptador del filtro de aceite (C), luego apriete el filtro de aceite dándole de 1/2 a 3/4 de giro.
12. Agregue aceite. Consulte la sección Revisión del motor y agregado de aceite.

Mantenimiento del filtro de aire

Conjunto del filtro de aire (cartucho con prelimpiador)



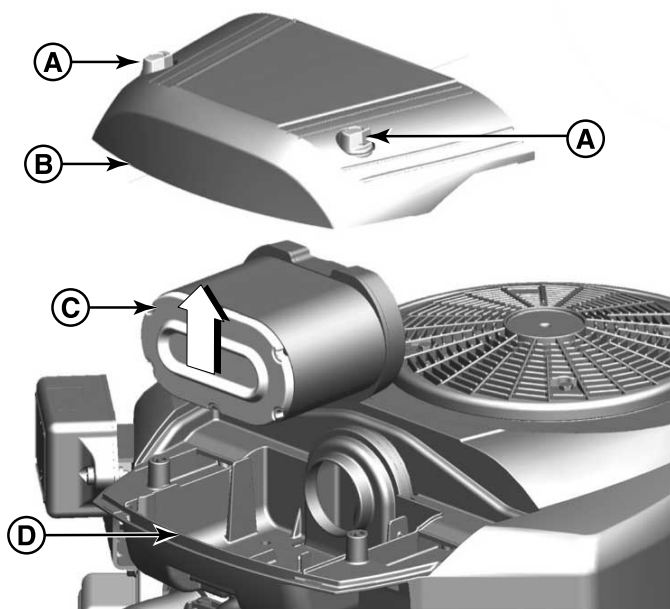
ADVERTENCIA
NO arranque ni ponga el motor en funcionamiento si se ha quitado el conjunto del filtro de aire o el filtro de aire, ya que esto causa un peligro de incendio.

AVISO

No use aire presurizado ni solventes para limpiar el filtro. El aire presurizado puede dañar el filtro, y los solventes lo disolverán.

1. Afloje los sujetadores (A, Figura 13) y remueva la cubierta (B).

13



2. Retire el conjunto de filtro de aire (C) y desmóntelo.
3. Retire cualquier posible residuo que pueda entrar en la garganta del carburador (D).
4. Retire el prelimpiador del filtro de aire.
5. Para soltar la suciedad, golpee suavemente el filtro de aire sobre una superficie dura. Si el filtro de aire está sucio, reemplácelo por uno nuevo.
6. Lave el prelimpiador con detergente líquido y agua. Luego deje que se seque completamente al aire. No lubrique el prefiltro.
7. Monte el prelimpiador seco en el filtro de aire.
8. Instale el conjunto de filtro de aire.
9. Instale la cubierta y fíjela a los sujetadores.

Conjunto del filtro de aire (ciclónico con prelimpiador)



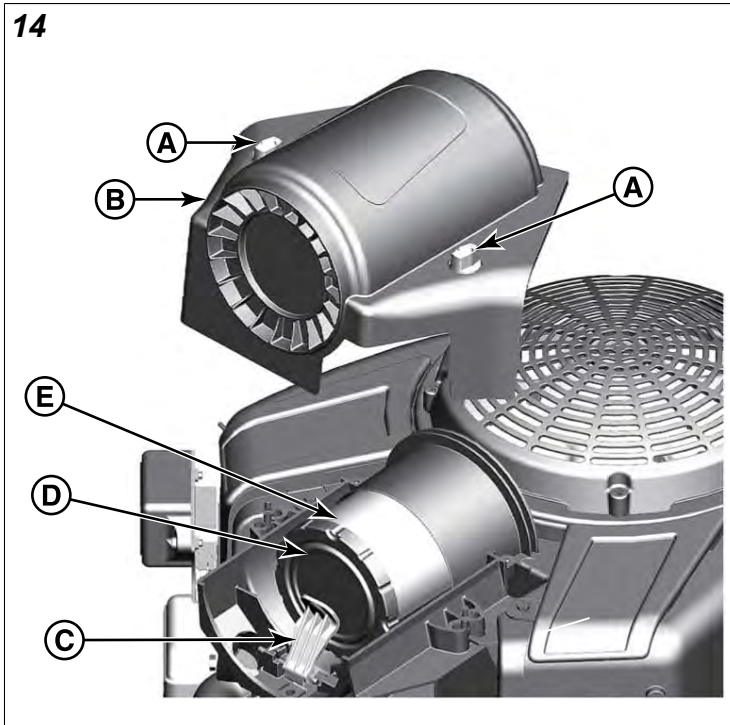
ADVERTENCIA
NO arranque ni opere el motor si se ha quitado el conjunto del filtro de aire o el filtro de aire, ya que esto causa un peligro de incendio.

AVISO

No use aire presurizado ni solventes para limpiar el filtro. El aire presurizado puede dañar el filtro y los solventes lo disuelven.

1. Afloje los sujetadores (A, Figura 14) y quite la cubierta (B).

14



2. Abra el seguro (C) y retire el conjunto del filtro de aire (D).
3. Retire el prelimpiador (E) del filtro de aire.
4. Para soltar la suciedad, golpee suavemente el filtro de aire sobre una superficie dura. Si el filtro de aire está sucio, reemplácelo por uno nuevo.
5. Lave el prelimpiador con detergente líquido y agua. Luego deje que se seque completamente al aire. No lubrique el prefiltro.
6. Monte el prelimpiador seco en el filtro de aire.
7. Instale el conjunto del filtro de aire y cierre al seguro.
8. Instale la cubierta con los sujetadores.

Revisión de la presión de los neumáticos

Para obtener el mejor rendimiento de poda y tracción correcta, asegúrese de que el inflado de los neumáticos sea de 12-14 psi (0,82-0,96 bar). Consulte la verificación de la presión de los neumáticos en el *Plan de mantenimiento*. También consulte la sección presión del inflado del neumático en las *Especificaciones*.

Nota: La presión de inflado de los neumáticos puede diferir ligeramente del "inflado máximo" que se muestra en los costados de los neumáticos.

Revise las bujías



ADVERTENCIA



Cualquier chispa generada involuntariamente podría causar incendio o descarga eléctrica.

El arranque accidental puede provocar enredos, amputaciones traumáticas o laceraciones.

Cuando haga las pruebas de chispa:

- Use un probador de bujías aprobado.
- No revise si hay chispas con la bujía extraída.

AVISO

Las bujías tienen distintos márgenes de calor. Es importante que se use la bujía correcta, de lo contrario, se pueden producir daños en el motor. Reemplace la bujía con una del mismo tipo o una equivalente.

Limpeza de la bujía

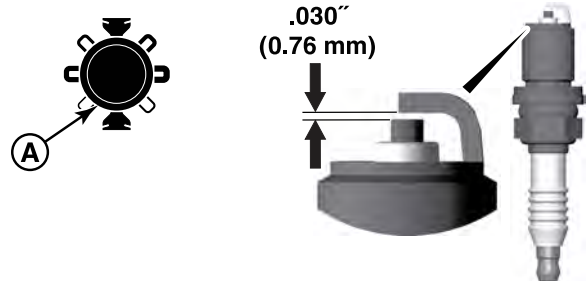
Límpiala con un cepillo de alambre y un cuchillo resistente. NO use productos abrasivos.

Compruebe la apertura de la bujía

Use un calibre de bujías (A, Figura 15) para comprobar la brecha entre los dos electrodos. Cuando la brecha sea la correcta, el calibre se resistirá levemente mientras lo empuja por la brecha.

Para ajustar la apertura de la bujía, use un calibre de bujías y suavemente doble el electrodo curvo. Asegúrese de no tocar el electrodo central ni la porcelana.

15



Instale la bujía

Apriétela con los dedos, luego hágalo con una llave, como se muestra en la Figura 16.

- 180 pulg-lb (20 Nm), O
- 1/2 vuelta cuando instala la bujía original. 1/4 de vuelta cuando instale una bujía nueva.

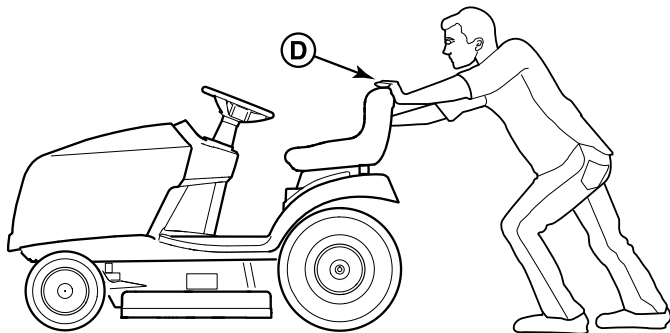
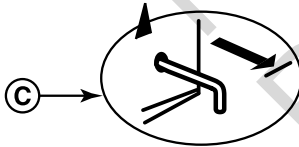
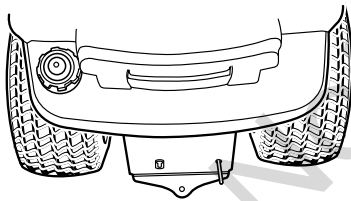
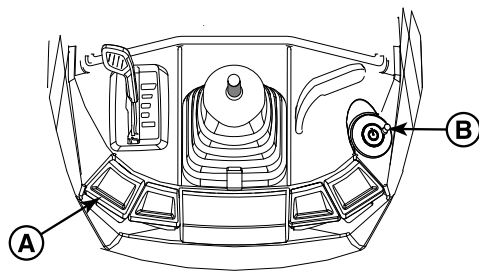
16



Cómo empujar el tractor manualmente

1. Desactive la toma de fuerza (PTO) (A, Figura 17).

17



2. APAGUE el motor (B).
3. Tire de la liberación de la transmisión (C) para trazarla en la posición de liberación.
4. El tractor se puede empujar manualmente (D).



ADVERTENCIA

Si remolca la unidad causará daños a la transmisión. NO use otro vehículo para empujar o remolcar esta máquina. NO empuje la palanca de liberación de la transmisión mientras el motor está ENCENDIDO (ON).

Equipos remolcados

1. Antes de remolcar la unidad, asegúrese de que el enganche esté diseñado para remolcar.
2. Sujete el equipo remolcado SOLO en el punto de enganche.
3. Para equipos remolcados y remolques en pendientes, siga las recomendaciones de límites de peso que se detallan a continuación.
 - Peso bruto (remolque y carga) de 400 lb (181,4 kg).
 - Máximo de 20 lb (9,1 kg) pie arriba o abajo sobre la lengua.
 - Pase de un límite de 10° a un límite de 5° en cualquier pendiente.
4. NO deje que los niños u otras personas entren en el equipo remolcado o sobre él.
5. El peso del equipo remolcado en pendientes puede causar pérdida de tracción y pérdida de control.
6. NO cambie a posición neutral y deje avanzar sola la unidad bajando la pendiente.

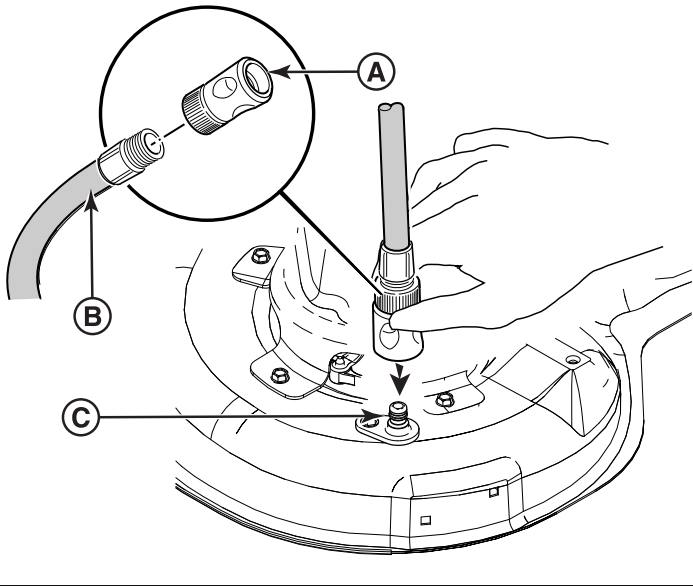
Lave la podadora (si está equipada)

Nota:

Use el puerto de lavado (C, Figura 18) para limpiar la parte inferior de la podadora.

1. Coloque el tractor en una superficie de nivel lisa.
2. Adjunte la desconexión rápida (A, Figura 18) a la manguera de jardín (B) y luego conecte al puerto de lavado (C) en la podadora.
3. ABRA el agua.
4. Arranque el motor.
5. Configure la altura de corte en la posición más alta.
6. Active el interruptor de la toma de fuerza (PTO) para activar las cuchillas de la podadora. La rotación de las cuchillas y el agua que corre limpiarán la parte de abajo de la cubierta de la podadora.
7. Desconecte la toma de fuerza y pare el motor.
8. CIERRE el agua.
9. Retire la manguera de jardín y desconecte rápidamente del puerto de lavado (C).

18



Antes de arrancar la máquina después de su almacenamiento:

- Revise los niveles de todos los líquidos. Revise todos los elementos de mantenimiento.
- Realice todos los controles y procedimientos recomendados que se encuentran en este manual.
- Asegúrese de que el motor esté caliente antes de usarlo.

Almacenamiento



ADVERTENCIA

Nunca almacene la unidad (con combustible) en una estructura cerrada y con poca ventilación. Los vapores del combustible pueden llegar hasta una fuente de ignición (hornos, calentadores de agua, etc.) y producir una explosión.

- Almacene lejos de hornos, estufas, calentadores de agua u otros aparatos que utilicen luces piloto u otras fuentes de ignición ya que estos pueden encender los vapores de gasolina.

Equipo

APAGUE la toma de fuerza (PTO) y ponga el freno de estacionamiento. Retire la llave de acceso. Deje enfriar la máquina.

Si retira la batería, la duración de la batería aumentará. Asegúrese de que la batería esté en un lugar fresco y seco, y manténgala completamente cargada. Si se deja la batería en la unidad, desconecte el cable negativo.

Sistema de combustible

El combustible puede echarse a perder cuando se conserva en un contenedor de almacenamiento durante más de 30 días. Cada vez que llene el contenedor con combustible, agregue estabilizador de combustible al combustible tal como se especifica en las instrucciones del fabricante. Esto lo mantiene fresco y disminuye los problemas relacionados con el combustible o la contaminación en el sistema de combustible.

No es necesario drenar el combustible del motor cuando el estabilizador de combustible se agrega según las instrucciones. Antes de su almacenamiento, ENCENDIDO el motor durante 2 minutos para que el combustible y el estabilizador recorran todo el sistema de combustible.

Solución de problemas

Solución de problemas del cortacésped

PROBLEMA	BUSQUE	SOLUCIÓN
El motor no gira ni arranca.	El pedal del freno no está oprimido.	Presione totalmente el pedal del freno.
	Vacíe el tanque de combustible.	Si el motor está caliente, permita que se enfríe, luego vuelva a llenar el tanque de combustible.
	El interruptor PTO está en la posición ENCENDIDO.	Coloque el interruptor PTO en la posición APAGADO.
	El control de cruce está activado.	Muévalo hacia la posición de NEUTRO/ APAGADO.
	El motor está inundado.	Desconexión del enganche.
	Los terminales de la batería necesitan limpieza.	Consulte <i>Limpieza de la batería y los cables</i> .
	La batería está descargada o agotada.	Cargue o cambie la batería.
	El cableado está suelto o roto.	Inspeccione visualmente el cableado. Si los cables están rotos o pelados, consulte con un distribuidor autorizado.
El motor arranca con dificultad o funciona mal.	La mezcla de combustible tiene un octanaje demasiado alto.	Limpie el filtro de aire.
El motor golpea.	Bajo nivel de aceite.	Compruebe el nivel de aceite y, si es necesario, agregue.
	Grado incorrecto de aceite.	Consulte la sección <i>Arranque y parada del motor</i> .
Demasiado aceite.	Grado incorrecto de aceite.	Consulte la sección <i>Arranque y parada del motor</i> .
	Hay demasiado aceite en la caja del cigüeñal.	Drene el aceite restante.
El escape del motor está negro.	El filtro de aire está sucio.	Consulte la sección <i>Mantenimiento del filtro de aire</i> .
	El estrangulador está cerrado.	Abra el estrangulador.
El motor arranca, pero el tractor no avanza.	Los pedales de control de la velocidad no están presionados.	Oprima los pedales de control de la velocidad.
	La palanca de liberación de la transmisión está en la posición EMPUJAR.	Mueva la palanca de liberación de la transmisión en la posición MARCHA.
	El freno de estacionamiento está activado.	Suelte el freno de estacionamiento.
El tractor gira con dificultad o maniobra de manera deficiente.	Inflado incorrecto del neumático.	Consulte la sección <i>Verificación de la presión de los neumáticos</i> .

Nota: Para todos los demás problemas, comuníquese con un distribuidor de servicio autorizado.

Solución de problemas del cortacésped

PROBLEMA	BUSQUE	SOLUCIÓN
El corte de la podadora es disparejo.	Los neumáticos de la podadora están mal inflados.	Consulte la sección <i>Verificación de la presión de los neumáticos</i> .
El corte de la podadora luce irregular.	La velocidad del motor está demasiado baja.	Establezca en aceleración RÁPIDA.
	La velocidad de tierra está demasiado rápida.	Reduzca la velocidad.
El motor se detiene con facilidad cuando la podadora está activada.	La velocidad del motor está demasiado baja.	Establezca en aceleración RÁPIDA.
	La velocidad de tierra está demasiado rápida.	Reduzca la velocidad.
	El filtro de aire está sucio u obstruido.	Consulte la sección <i>Mantenimiento del filtro de aire</i> .
	La altura de corte está demasiado baja.	En la primera pasada, corte el césped alto a la altura máxima de corte.
	El motor no ha alcanzado la temperatura de funcionamiento.	Opere el motor durante varios minutos para que se caliente.
El motor se ENCIENDE, y el tractor avanza, pero la podadora no corta.	El césped está demasiado alto.	Arranque el cortacésped en un área despejada.
	La PTO no está activada.	Active la PTO.

Nota: Para todos los demás problemas, comuníquese con un distribuidor de servicio autorizado.

Especificaciones

Cuadro de especificaciones (modelos Broadmoor™)

Ítem					
MODELOS	2691670	2691671	2691672	2691673	2691674
MOTOR	Professional Series de Briggs & Stratton® con ReadyStart	Professional Series de Briggs & Stratton® con ReadyStart	Professional Series de Briggs & Stratton® con ReadyStart	Professional Series de Briggs & Stratton® con ReadyStart	Professional Series de Briggs & Stratton® con ReadyStart
Desplazamiento	724 cc	724 cc	724 cc	724 cc	724 cc
Sistema eléctrico	16 amperios	16 amperios	16 amperios	16 amperios	16 amperios
Batería	230 CCA	230 CCA	230 CCA	230 CCA	230 CCA
Capacidad de aceite	64 oz	64 oz	64 oz	64 oz	64 oz
Entrehierro de la bujía	0,030 pulg (0,76 mm)	0,030 pulg (0,76 mm)	0,030 pulg (0,76 mm)	0,030 pulg (0,76 mm)	0,030 pulg (0,76 mm)
Torque de la bujía	180 lb-pulg (20 Nm)	180 lb-pulg (20 Nm)	180 lb-pulg (20 Nm)	180 lb-pulg (20 Nm)	180 lb-pulg (20 Nm)
Capacidad de combustible	3,6 gal	3,6 gal	3,6 gal	3,6 gal	3,6 gal
TRANSMISIÓN					
Marca y tipo	Tuff Torq® K57	Tuff Torq® K57	Tuff Torq® K57	Tuff Torq® K62	Tuff Torq® K62
PLATAFORMAS DEL CORTACÉSPED					
Ancho de corte	44 pulg (112 cm)	48 pulg (122 cm)	50 pulg (127 cm)	48 pulg (122 cm)	52 pulg (132 cm)
Cantidad de cuchillas	Elevación estándar 3	Elevación estándar 3	Elevación estándar 3	Elevación estándar 3	Elevación estándar 3
Altura de corte	1,5 a 4,0 pulg (3,8 a 10,2 cm)	1,5 a 4,0 pulg (3,8 a 10,2 cm)	1,5 a 4,0 pulg (3,8 a 10,2 cm)	1,5 a 4,0 pulg (3,8 a 10,2 cm)	1,5 a 4,0 pulg (3,8 a 10,2 cm)
CHASIS					
Ruedas delanteras Tamaño del neumático	15 x 6-6	15 x 6-6	16 x 6,5-8	16 x 6,5-8	16 x 6,5-8
Presión de inflado de neumáticos, delanteros	12 a 14 psi (0,82 a 0,92 bar)	12 a 14 psi (0,82 a 0,92 bar)	12 a 14 psi (0,82 a 0,92 bar)	12 a 14 psi (0,82 a 0,92 bar)	12 a 14 psi (0,82 a 0,92 bar)
Ruedas posteriores Tamaño del neumático	22 x 10-10	22 x 10-10	22 x 10-10	22 x 10-10	23 x 10,5-12
Presión de inflado de neumáticos, posteriores	10 psi (0,68 bar)	10 psi (0,68 bar)	10 psi (0,68 bar)	10 psi (0,68 bar)	10 psi (0,68 bar)

Cuadro de especificaciones (modelos Conquest™)

Ítem		
MODELOS	2691675	2691676
MOTOR	Serie comercial de Briggs & Stratton® con EFM	Serie comercial de Briggs & Stratton® con EFM
Desplazamiento	724 cc	724 cc
Sistema eléctrico	16 amperios	16 amperios
Batería	350 CCA	350 CCA
Capacidad de aceite	64 oz	64 oz
Entrehierro de la bujía	0,030 pulg (0,76 mm)	0,030 pulg (0,76 mm)
Torque de la bujía	180 lb-pulg (20 Nm)	180 lb-pulg (20 Nm)
Capacidad de combustible	3,6 gal	3,6 gal
TRANSMISIÓN		
Marca y tipo	Tuff Torq® K66	Tuff Torq® K66
PLATAFORMAS DEL CORTACÉSPED		
Ancho de Corte	50 pulg (127 cm)	52 pulg (132 cm)
Cantidad de cuchillas	Elevación estándar 3	Elevación estándar 3
Altura de corte	1,5 a 4,0 pulg (3,8 a 10,2 cm)	1,5 a 4,0 pulg (3,8 a 10,2 cm)
CHASIS		
Ruedas delanteras Tamaño del neumático	16 x 6,5-8	16 x 6,5-8
Presión de inflado de neumáticos, delanteros	12 a 14 psi (0,82 a 0,92 bar)	12 a 14 psi (0,82 a 0,92 bar)

Ítem		
Ruedas posteriores Tamaño del neumático	23 x 10,5-12	23 x 10,5-12
Presión de inflado de neumáticos, posteriores	10 psi (0,68 bar)	10 psi (0,68 bar)

Specifications Chart (Prestige™ Models)

Ítem		
MODELS	2691677	2691678
ENGINE	Commercial Series by Briggs & Stratton® with EFI	Commercial Series by Briggs & Stratton® with EFI
Displacement	810 cc	810 cc
Electrical System	16-Amp	16-Amp
Battery	350 CCA	350 CCA
Oil Capacity	67 oz	67 oz
Spark Plug Gap	.030 in (.76 mm)	.030 in (.76 mm)
Spark Plug Torque	180 lb-in (20 Nm)	180 lb-in (20 Nm)
Fuel Capacity	3.6 Gal	3.6 Gal
TRANSMISSION		
Make and Type	Tuff Torq® K72	Tuff Torq® K72
MOWER DECKS		
Width of cut	50 in (127 cm)	52 in (132 cm)
Number of Blades	3 standard lift	3 standard lift
Cutting Height	1.5-4.0 in (3.8 - 10.2 cm)	1.5-4.0 in (3.8 - 10.2 cm)
CHASSIS		
Front Wheels Tire Size	16 x 6.5-8	16 x 6.5-8
Tire Inflation Pressure, Front	12-14 psi (0.82 - 0.92 Bar)	12-14 psi (0.82 - 0.92 Bar)
Rear Wheels Tire Size	23 x 10.5-12	23 x 10.5-12
Tire Inflation Pressure, Rear	10 psi (0.68 Bar)	10 psi (0.68 Bar)

Clasificación de potencia

La potencia nominal bruta para los modelos de motor de gasolina individuales está etiquetada conforme al código SAE (Sociedad de Ingenieros Automotrices) J1940, Procedimiento de calificación de potencia y torque para motores pequeños, y está clasificada conforme a SAE J1995. Los valores de torque se obtienen a 2600 RPM para los motores con "rpm" indicado en la etiqueta y 3060 RPM para todos los demás. Los valores de potencia se obtienen a 3600 RPM. Las curvas de potencia bruta se pueden ver en www.BRIGGSandSTRATTON.COM. Los valores de potencia neta se obtienen con un filtro de aire y un escape instalados, mientras que los valores de potencia bruta se recopilan sin estos aditamentos. La potencia bruta real del motor es mayor que la potencia neta del motor y depende, entre otros factores, de las condiciones ambientales de uso y de las variaciones entre los motores. Dada la amplia gama de productos donde se colocan los motores, el motor de gasolina puede no desarrollar la potencia bruta nominal cuando se usa en un equipo de potencia determinado. Esta diferencia se debe, entre otros, a los siguientes factores: variedad de componentes del motor (purificador de aire, escape, carga, enfriamiento, carburador, bomba de combustible, etc.), limitaciones de la aplicación, condiciones ambientales de uso (temperatura, humedad, altitud) y variaciones entre los motores. Debido a limitaciones de fabricación y capacidad, Briggs & Stratton puede sustituir un motor de una potencia nominal mayor por este motor.

Piezas y accesorios

Póngase en contacto con un distribuidor autorizado de servicio.

Table des matières:

Renseignements généraux.....	47
Avertissement de la Californie concernant le pare-étincelles.....	47
Proposition 65 Californie.....	47
Sécurité de l'utilisateur.....	47
Caractéristiques et commandes.....	51
Fonctionnement.....	54
Entretien.....	60
Entreposage.....	66
Dépannage.....	67
Spécifications.....	68

Renseignements généraux

Pour un complément d'information, voir le *Guide des contacts à l'intention du client* qui accompagne l'appareil.

Les illustrations de ce document sont à titre représentatif seulement. Votre appareil peut sembler différent des illustrations. Les directions *GAUCHE* et *DROITE* sont indiquées depuis la position de l'opérateur.

L'utilisation des mentions Important et Remarque dans le texte indique des clarifications, des exceptions ou des options aux procédures fournies.

Toutes les traductions de ce document sont réalisées à partir du texte source anglais original.



Tout le matériel d'emballage, les huiles usées et les batteries devraient être recyclés selon la réglementation gouvernementale en vigueur.

Avertissement de la Californie concernant le pare-étincelles



L'utilisation ou le fonctionnement du moteur sur des terrains forestiers, broussailleux ou herbeux constituent une violation de la Section 4442 du Code des ressources publiques de Californie, à moins que le système d'échappement ne soit équipé d'un pare-étincelles, comme le définit la Section 4442, maintenu en bon état de marche. D'autres provinces ou juridictions fédérales peuvent avoir des lois similaires. Communiquez avec le fabricant, le détaillant ou le revendeur d'origine de l'équipement pour obtenir un pare-étincelles conçu pour le système d'échappement installé sur ce moteur.



AVERTISSEMENT
Les bornes de batterie, les cosses et autres accessoires associés contiennent du plomb et des composés de plomb, des substances chimiques reconnues par l'État de la Californie comme pouvant causer le cancer, des anomalies congénitales ou autres problèmes de reproduction. Se laver les mains après la manipulation.

Proposition 65 Californie



AVERTISSEMENT
Ce produit peut vous exposer à des agents chimiques, y compris les échappements des moteurs à essence, connus dans l'État de la Californie pour causer le cancer ainsi que le monoxyde de carbone, connu dans l'État de la Californie pour causer des malformations congénitales ou les dommages à l'appareil reproducteur. Pour obtenir de plus amples renseignements, visitez le www.P65Warnings.ca.gov.

Sécurité de l'utilisateur

Conserver ces directives aux fins de référence ultérieure. Ce manuel contient de l'information de sécurité pour vous sensibiliser aux risques associés à ce produit et vous permettre de les éviter. Il contient également des instructions importantes qui doivent être observées lors de la configuration initiale, de l'utilisation et de l'entretien de ce produit.

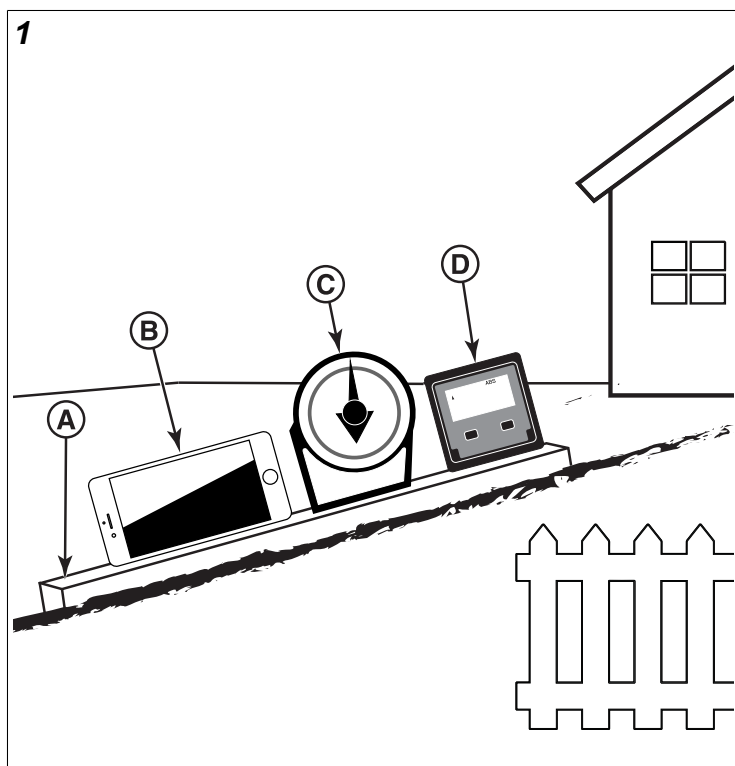
Ce produit est conçu et destiné à la coupe d'un gazon bien entretenu, il n'est pas destiné à d'autre but.

Il est important de lire et comprendre ces instructions avant de faire démarrer ou d'utiliser cet équipement.

Veiller à connaître les contrôles et la bonne utilisation du produit.

Sachez comment arrêter l'unité et désactiver les commandes rapidement.

Guide d'identification de pente



Comment mesurer la pente de la surface d'une pelouse à l'aide d'un téléphone intelligent ou d'un détecteur d'angle :











AVERTISSEMENT





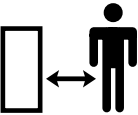
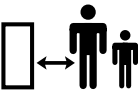


Ne pas utiliser sur des pentes de plus de 10 degrés.

1. Utiliser un bord droit d'au moins deux (2) pieds de long (A, Figure 1). Un 2 x 4 ou un morceau de métal droit fonctionnent tout aussi bien.
2. Outils détecteurs d'angles.
 - a. **Utiliser un téléphone intelligent :** De nombreux téléphones intelligents (B, Figure 1) ont un inclinomètre (détecteur d'angle) sous l'application du compas (app). Ou bien, cherchez une application d'inclinomètre dans le app store.
 - b. **Utiliser des détecteurs d'angle :** Des détecteurs d'angle (C et D, Figure 1) se trouvent dans les quincailleries ou en ligne (s'appellent aussi inclinomètre, rapporteur, goniomètre ou jauge d'angle). Le type à cadran (C) ou le type numérique (D) fonctionne alors que d'autres peuvent ne pas fonctionner. Lire et respecter les directives fournies avec l'inclinomètre.
3. Placer le bord droit de deux (2) pieds de long sur le bord le plus escarpé de la pente de la pelouse. Placer le panneau en montant et en descendant la pente.
4. Placer à plat le téléphone intelligent ou l'inclinomètre sur le bord droit et lire l'angle en degrés. Voici la pente de votre pelouse.


Remarque : Un guide d'identification de pente (jauge de papier) est inclus dans la documentation du produit et peut également être téléchargé à partir du site Web du fabricant.


Les symboles de sécurité et leur signification


Symbole	Signification
	Information de sécurité au sujet des dangers qui peuvent causer de blessures corporelles.
	Lire et assimiler le Manuel de l'opérateur avant de faire fonctionner ou d'entretenir l'appareil.
	Retirer la clé et lire le Manuel de l'opérateur avant de faire l'entretien de l'appareil.
	Butée
	Risque d'incendie
	Risque d'explosion
	Risque de choc électrique
	Risque de vapeurs toxiques
	Pièces mobiles
	Porter des lunettes de protection.


Symbole	Signification
	Produit chimique dangereux
	Risque de surface chaude
	Risque d'amputation
	Risque de projection d'objets
	Se tenir à une distance sécuritaire
	Garder hors de la portée des enfants
	Risque de renversement 10° Max. 10° Max.
	Risque d'amputation

Symbole d'alerte de sécurité et mots de signal

Le symbole d'alerte de sécurité  identifie l'information de sécurité relative aux dangers pouvant causer des blessures. Un mot de signalisation (**DANGER**, **AVERTISSEMENT** ou **ATTENTION**) est utilisé conjointement avec le symbole d'alerte pour indiquer la possibilité et la gravité des blessures potentielles. En plus, un symbole de danger peut être utilisé pour représenter un type de danger.

 **DANGER** indique un danger qui, si non évité, provoquera la mort ou des blessures graves.

 **AVERTISSEMENT** indique un danger qui, si non évité, pourrait provoquer la mort ou des blessures graves.

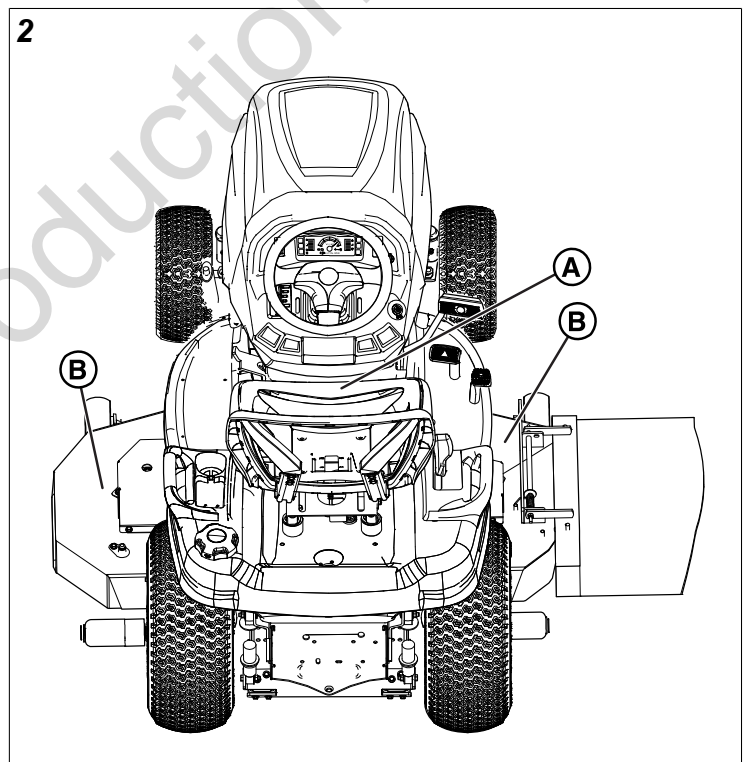
 **ATTENTION** indique un danger qui, si non évité, pourrait causer une blessure mineure ou modérée.

AVIS indique des informations considérées importantes, mais pas liées aux dangers.

Emplacements des autocollants de sécurité

Avant de faire fonctionner la machine, lire et comprendre les consignes indiquées sur les autocollants de sécurité. Comparer la Figure 2 avec la table qui suit. Les précautions et les avertissements sont pour votre sécurité. Pour éviter des blessures corporelles ou d'endommager la machine, veuillez comprendre et respecter toutes les consignes indiquées sur les autocollants de sécurité.



Si n'importe quel autocollant de sécurité devient usé ou endommagé et ne peut être lu, commander des autocollants de remplacement de votre concessionnaire local.



A

⚠ DANGER		
<p>Amputation hazard Rotating blades cut off arms and legs.</p> <ul style="list-style-type: none"> Stop the mower when children or others are near. Do not carry riders (especially children) even with the blades off. They may fall off or return for another ride when you are not expecting it. Look down and behind before and while backing. 	<p>Loss of control and roll-over hazard Operating on slopes can be hazardous and cause loss of control and roll-overs.</p> <ul style="list-style-type: none"> Avoid sudden turns or rapid speed changes. Reduce speed and use extreme caution on slopes. Go up and down slopes, NOT across. Do not operate on slopes over 10 degrees. If machine stops while going uphill, stop the blades and back down slowly. 	<p>Water, retaining walls and drop-off hazards Wheels dropping over edges may result in serious injury, death or drowning.</p> <ul style="list-style-type: none"> Do NOT operate near water, retaining walls or drop-offs. Give yourself a minimum of two mower widths of clearance around these hazards.
⚠ WARNING		
<p>Avoid serious injury or death Read the operator's manual before using this product.</p> <ul style="list-style-type: none"> Do NOT operate this machine unless you are trained. Know the location and function of all controls. Keep safety devices (guards, shields, switches, etc.) in place and working. Remove objects that could be thrown by the blade. 	<ul style="list-style-type: none"> Be sure blade(s) and engine are stopped before placing hands or feet near blade(s). When leaving machine, shut off, remove key and set parking brake. 	<p>Fire hazard Gasoline is flammable. Yard debris is combustible.</p> <ul style="list-style-type: none"> Allow engine to cool for at least 3 minutes before refueling. Keep unit cleaned of debris. This equipment may create sparks that can start fires around dry vegetation. A spark arrester may be required. Contact local fire agencies for regulations relating to fire prevention requirements.

The spark system complies with the Canadian standard KC35-001.


	Avertissement : Les batteries produisent des gaz explosifs. Veuillez lire et comprendre le manuel de l'utilisateur avant d'utiliser cette machine.
	Important : Ne pas jeter la batterie dans la poubelle. Prendre contact avec les autorités locales pour l'élimination et/ou le recyclage des batteries.
	Flush eyes immediately with water. Get medical help fast.

B

⚠ DANGER

Amputation and thrown objects hazard

- Keep hands and feet away from deck.
- Do not operate mower unless discharge chute or entire grass catcher is in its proper place.



7101665

Étiquette autocollante de sécurité pour batterie





⚠ DANGER/POISON	⚠ PELIGRO/VENENO
<p>SHIELD EYES. EXPLOSIVE GASES CAN CAUSE BLINDNESS OR INJURY.</p> <p>NO LEVITERS. SPARKS. FLAMES. SMOKEING.</p>	<p>SULFURIC ACID CAN CAUSE BLINDNESS OR SEVERE BURNS.</p> <p>FLUSH EYES IMMEDIATELY WITH WATER.</p>
<p>KEEP OUT OF THE REACH OF CHILDREN.</p>	<p>DO NOT OPEN BATTERY! DO NOT TIP!</p>
<p>READ ALL INSTRUCTIONS.</p>	
<p>12V Made in USA with US and imported materials</p>	

Messages de sécurité



Lire, comprendre et respecter toutes les instructions et tous les avertissements figurant dans ce manuel, et sur la machine, le moteur et les raccordements avant de la faire fonctionner. Le non-respect des consignes de sécurité de ce manuel et apposées à l'équipement peut entraîner la mort ou des blessures graves.

- Permettre uniquement aux utilisateurs responsables, formés, familiers avec les consignes et physiquement capables d'utiliser la machine.
- Ne pas utiliser la machine sous l'emprise de l'alcool ou de drogues.
- Porter des lunettes de sécurité et des souliers fermés.
- Ne jamais placer les mains ou les pieds près des pièces en mouvement ou sous la machine. Rester loin de l'ouverture d'éjection en tout temps.
- Maintenir la machine en bon état de marche. Remplacer les pièces usées ou endommagées.
- Faire attention lors de l'entretien des lames. Envelopper la ou les lames et porter des gants. Remplacer les lames endommagées. Ne pas réparer ni modifier la ou les lames.
- Utiliser des rampes pleine largeur pour charger et décharger une machine pour le transport.
- Vous reporter à grément ou accessoire pour connaître les poids et contrepoids pour roues.
- Pour empêcher les incendies, dégager le gazon, les feuilles et tout autre matériau indésirable sur la machine. Nettoyer tout débordement d'huile ou de carburant. Éliminer les débris trempés de carburant et laisser la machine refroidir avant de la ranger.

	Avertissement : Risque d'incendie : tenir les enfants, les flammes nues et les étincelles éloignés de la batterie, car des gaz explosifs pourraient s'enflammer.
	Avertissement : L'acide sulfurique peut causer la cécité ou de graves brûlures. Veuillez toujours porter des lunettes de protection ou un masque lorsque vous travaillez à proximité de ou sur une batterie.

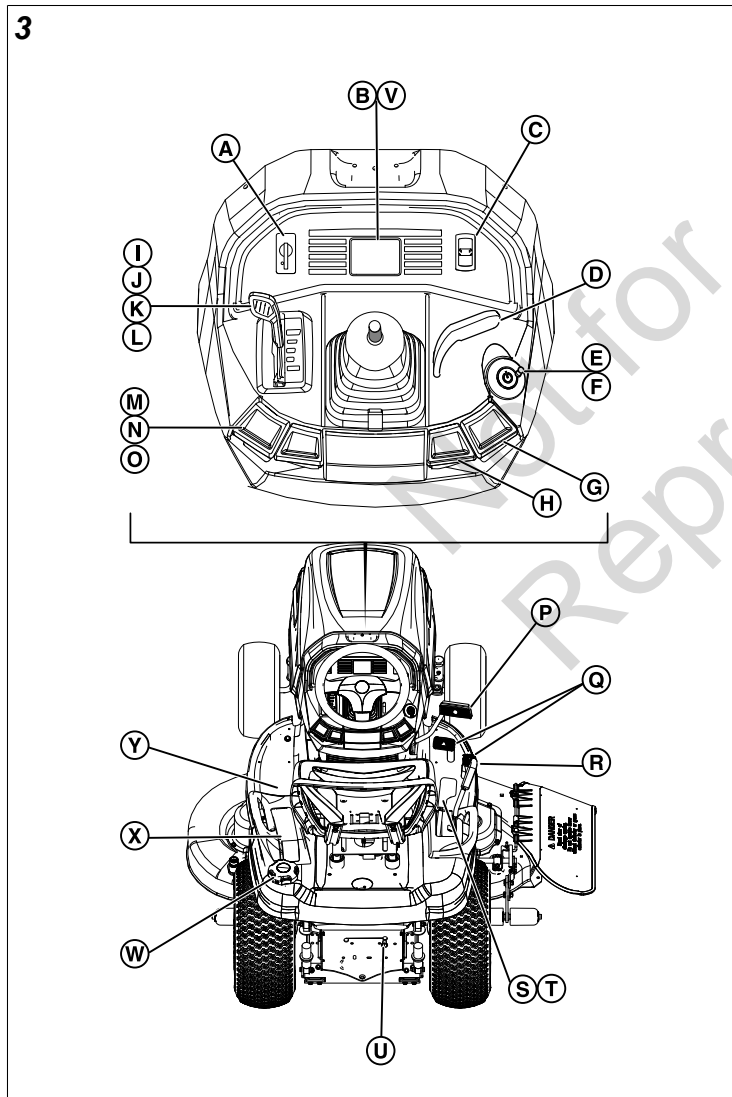
AVERTISSEMENT

Le moteur en marche émet du monoxyde de carbone, un gaz toxique sans odeur ni couleur. Le fait de respirer le monoxyde de carbone peut causer des maux de tête, de la fatigue, des étourdissements, des vomissements, de la confusion, des crises épileptiques, des nausées, des évanouissements ou la mort.


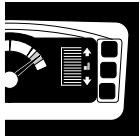

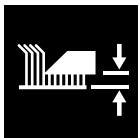
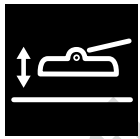
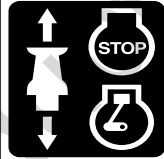


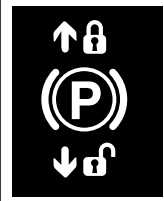

- Faire fonctionner cet équipement **UNIQUEMENT** à l'extérieur.
- Empêcher les gaz d'échappement de pénétrer un lieu confiné par les fenêtres, les portes, les entrées de ventilation ou autres ouvertures.

Caractéristiques et commandes

Veiller à ce que les légendes de la Figure 3 correspondent aux caractéristiques et commandes énumérés dans la table qui suit.



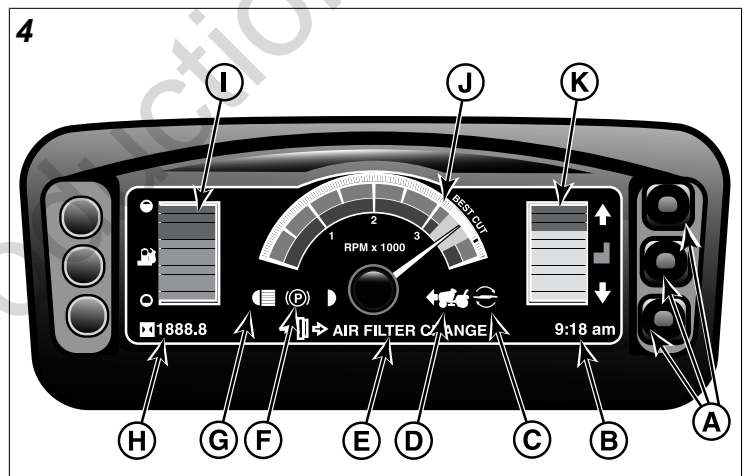
Symboles de commande et significations

A		Option de tonte en marche arrière (RMO)
B		Tableau de bord électronique (Prestige/Conquest)
B		Horodateur (Broadmoor™)
C		Commutateur de la hauteur de coupe
D		Levier assisté (si équipé)
E		Clé de démarrage
F		Bouton-poussoir pour le démarrage <input type="radio"/> ARRÊT <input type="checkbox"/> ACTIVÉ
G		Interrupteur de phares
H		Contrôle du frein de stationnement
I		Étrangleur

J		Commande de l'accélérateur
K		Commande de l'accélérateur Position LENTE
L		Commande de l'accélérateur à la position RAPIDE
M		Prise de force (PTO)
N		Prise de force (PTO), Lames désengagées
O		Prise de force (PTO), Lames désengagées
P		Pédale de frein
Q		Pédales de vitesse de déplacement au sol
R		Levier de levage mécanique (si équipé)
S		Régulateur de vitesse
T		Blocage du régulateur de vitesse

U		Levier de débrayage de transmission
V		Jauge de carburant (si équipé)
W		Réservoir de carburant
X		Prise de courant 12 volts
Y		Pédale de blocage du différentiel (si équipé)

Tableau de bord électronique (si équipé)



Le tableau de bord électronique (Figure 4) affiche le statut de l'opération pour divers paramètres d'équipement et de moteur. Le tableau fournit les fonctions d'horloge et de minuterie pour l'entretien de l'huile et du filtre à air et pour faire le suivi des heures de travail. Les données sont conservées si la batterie est déconnectée ou si l'alimentation est interrompue.

Remarque : L'affichage de la Hauteur du plateau exige une connexion de faisceau électrique entre le plateau et le tracteur. Lors de l'installation du plateau de la tondeuse après l'entretien, s'assurer que le faisceau de fils soit correctement connecté, sans quoi l'affichage de la Hauteur du plateau ne fonctionnera pas.

A	Boutons de commande – MODE (bouton du haut), HAUT (bouton du centre), et BAS (bouton du bas).
B	Affichage de l'horloge – Horloge 12 heures avec am/pm.
C	Icône Lame – s'allume lorsque la prise de force (PDF) est engagée.
D	Icône tondeuse - s'allume lorsque le régulateur de vitesse est enclenché.

E	Affichage de mesure - indique à l'opérateur que l'appareil a besoin d'un entretien.
F	 Icône Frein de stationnement – s'allume lorsque le frein de stationnement est engagé.
G	 Icône phares - s'allume lorsque les phares sont actionnés.
H	Compteur d'heures - affiche par défaut le total accumulé des heures de fonctionnement. Lorsque le bouton MODE est enfoncé, le compteur d'heures affiche les heures du parcours.
I	Barres de niveau de carburant - s'allument pour indiquer le niveau approximatif de carburant dans le réservoir. À deux barres l'icône pompe à carburant clignotera vous rappelant d'ajouter du carburant.
J	Tachimètre avec l'Icône Meilleure plage de coupe - indique le régime du moteur, entre 1 000 et 4 000 tr/min. La meilleure plage de coupe indique la performance optimale entre la vitesse du moteur et les réglages de hauteur du plateau.
K	Barres de hauteur du plateau de coupe - indiquent la hauteur approximative du plateau de coupe.

Fonctions du compteur d'heure (H, Figure 4)

- Par défaut, le compteur d'heures affiche le total accumulé des heures de fonctionnement.
- Il se remettra automatiquement à zéro lorsque le compteur atteint 1 999,9 heures.

Heures du parcours

- Appuyer sur le bouton MODE (A, Figure 4) pour afficher les heures de parcours.
- Appuyer de nouveau sur le bouton MODE et le tenir enfoncé pendant 3 secondes pour remettre les heures du parcours à zéro.

Heures de l'huile

- Appuyer sur le bouton MODE (A, Figure 4) pour afficher les heures de l'huile.
- Après le changement d'huile et de filtre, appuyer sur le bouton MODE et le tenir enfoncé pendant 3 secondes pour remettre les heures de l'huile à zéro.

Heures du filtre à air

- Appuyer sur le bouton MODE (A, Figure 4) pour afficher les heures du filtre à air.
- Appuyer de nouveau sur le bouton MODE et le tenir enfoncé pendant 3 secondes pour remettre les heures du filtre à air à zéro une fois le filtre nettoyé ou changé.

Paramètres de l'horloge (B, Figure 4)

- Appuyer sur le bouton MODE (A, Figure 4) quatre fois pour régler l'horloge.
- Appuyer de nouveau sur le bouton MODE et le tenir enfoncé pendant 3 secondes pour faire clignoter les heures.
- Appuyer sur le bouton UP (augmenter) ou DOWN (diminuer) pour modifier l'heure. AM ou PM s'affichera lorsque le réglage de l'heure est réglé passé 12 heures.
- Appuyer sur le bouton MODE une fois pour faire clignoter les minutes.
- Appuyer sur le bouton UP (augmenter) ou DOWN (diminuer) pour modifier les minutes.
- Après avoir réglé les heures et les minutes, appuyer sur le bouton MODE pour revenir à l'affichage par défaut de l'horloge.

Remarque : Si le bouton MODE n'est pas appuyé après cinq secondes, l'affichage ne sera pas réinitialisé et le compteur d'heures reviendra au total accumulé des heures.

Messages d'entretien (E, Figure 4)

Batterie faible

- Ce message apparaît lorsqu'un problème survient avec la tension de la batterie.
- L'affichage s'efface automatiquement une fois que la batterie a subi un entretien.

Changer l'huile

- Ce message apparaîtra après 50 heures de temps de fonctionnement depuis la réinitialisation précédente.
- Une fois l'huile vidangée et le filtre remplacé, appuyer deux fois sur le bouton MODE pour afficher OIL HRS (heures de l'huile).
- Appuyer et tenir le bouton MODE pendant 3 secondes pour remettre la minuterie à zéro et effacer l'affichage.

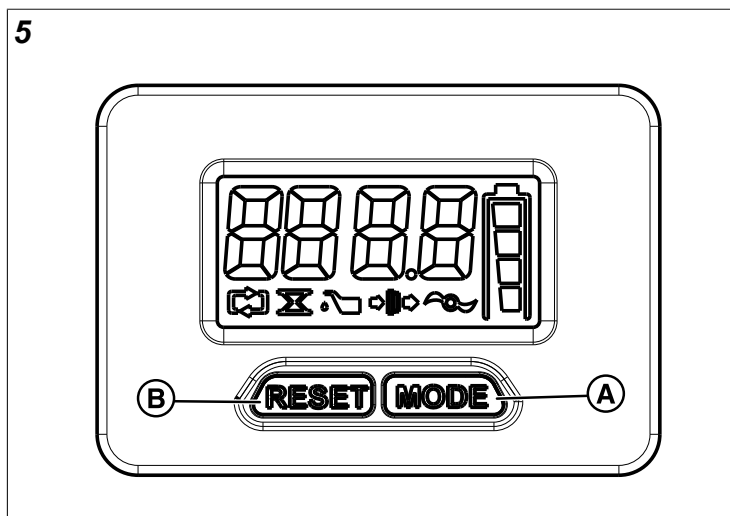
Filtre à air

- Ce message apparaît après 25 heures de fonctionnement.
- Après le nettoyage ou le remplacement du filtre à air, appuyer trois fois sur le bouton MODE pour afficher les AIR FILTER HRS (heures du filtre à air).
- Appuyer et tenir le bouton MODE pendant 3 secondes pour remettre la minuterie à zéro et effacer l'affichage.

Remarque : Le message BATTERIE FAIBLE (LOW BATTERY) a priorité sur tous les autres messages. Faire l'entretien de la batterie en premier, puis vérifier les autres messages d'entretien.

Compteur d'heures (si équipé)

Le compteur d'heures (Figure 5) affiche le total des heures, les heures de parcours et une horloge numérique.



Affiche le total des heures, les heures de parcours et l'horloge

Lorsque vous démarrez la machine, le total des heures s'affiche. Le total des heures est automatiquement remis à 0 après 999,9.

1. Pousser le bouton MODE (A, Figure 5) pendant moins d'une seconde pour afficher les heures de parcours.
2. Pousser le bouton RÉINITIALISATION (RESET) (B) pendant plus de trois secondes pour remettre à 0 les heures de parcours.
3. Appuyer sur le bouton MODE pendant moins d'une seconde pour afficher l'horloge. Pousser le bouton MODE pendant plus de trois secondes. Les heures clignoteront sur l'écran. Appuyer sur le bouton RÉINITIALISATION (RESET) pour régler les heures. Appuyer sur le bouton MODE pendant moins d'une seconde pour enregistrer les paramètres. Les minutes clignoteront sur l'écran. Appuyer sur le bouton RÉINITIALISATION (RESET) pour régler les minutes. Appuyer sur le bouton MODE pendant moins d'une seconde pour enregistrer les paramètres.
4. Appuyer sur le bouton MODE pendant moins d'une seconde pour retourner aux heures totales.

Prise de courant de 12 volts

Utiliser la fiche pour accessoire de 12 volts pour alimenter les petits dispositifs électroniques. L'accessoire doit être évalué pour 9 A ou moins. Voir *Fonctions et contrôles*.

AVIS

L'accessoire de 12 volts peut entraîner une décharge de la batterie, surtout lorsque le moteur est au ralenti. Lorsque la prise des accessoires n'est pas utilisée, il faut la couvrir d'une prise en caoutchouc. L'entrée d'eau dans la prise peut provoquer un court-circuit.

Fonctionnement

Lire la rubrique *Sécurité de l'opérateur* avant de faire fonctionner cette machine. Veiller à connaître les contrôles et à savoir comment arrêter l'appareil.

Zone d'utilisation

1. Connaître la zone où vous prévoyez d'opérer la tondeuse.
2. Veiller à ce que la zone soit libre de matériaux indésirables pouvant être ramassés par les lames et projetés.



Cette souffleuse peut projeter des objets qui pourraient blesser des personnes à proximité ou endommager des bâtiments.

- Ne pas faire fonctionner la machine sans le bac de ramassage complet, le déflecteur ou tout autre dispositif de sécurité en place. Vérifier fréquemment s'il y a des signes d'usure ou de détérioration et remplacer au besoin.
- Nettoyer la zone d'opération de tout objet pouvant être projeté par la machine ou perturber son fonctionnement.

3. Sortir la tondeuse autoporteuse dehors avant de démarrer le moteur.



Les moteurs dégagent du monoxyde de carbone, un gaz toxique sans odeur et sans couleur. Le fait de respirer le monoxyde de carbone peut causer des nausées, des évanouissements ou la mort.

4. Noter toutes les pentes et tous les fossés.



Rouler sur des pentes, près de l'eau ou les fossés peut entraîner une perte de contrôle ou un renversement.

- Tondre en montant ou en descendant la pente, non pas en travers.
 - Réduire la vitesse et faire attention sur les pentes.
 - Ne pas rouler sur les pentes de plus de 10 degrés, ce qui représente une élévation de 3,5 pieds sur une longueur de 20 pieds.
 - Accorder un dégagement de deux largeurs de tondeuse autour de l'eau, des murs de soutènement ou fossés.
 - Éviter de tondre de l'herbe mouillée.
 - Ne pas utiliser la machine en cas de doute de traction, conduite ou stabilité. Les pneus pourraient glisser même si les roues sont arrêtées.
 - Éviter de démarrer et d'arrêter sur les pentes.
 - Éviter de faire des changements brusques de vitesse ou de direction.
 - Tourner lentement et graduellement.
 - Faire attention lors qu'un bac de ramassage ou un autre grément est fixé. Ils peuvent affecter la stabilité de la machine.
 - Suivre les recommandations du fabricant concernant les limites de poids du matériel remorqué et le remorquage sur les pentes. Voir *Équipement remorqué*.
5. S'assurer que personne ne se trouve dans la zone de déblayage, particulièrement des enfants.



Cette tondeuse autoporteuse peut amputer les mains et les pieds.

- Arrêter la tondeuse lorsqu'il y a des enfants ou autres personnes à proximité.
- Éloigner les enfants de la zone d'opération et les laisser sous la surveillance d'un adulte responsable.
- Ne jamais transporter des personnes (particulièrement des enfants), même si les lames sont arrêtées. Les enfants risquent de tomber et de gravement se blesser ou d'interférer avec l'opération sécuritaire de la machine. Les enfants que l'on a transportés par le passé risquent d'apparaître brusquement dans la zone à tondre pour se faire transporter à nouveau et risquent de se faire écraser ou de passer sous la machine en marche arrière.
- Prendre bien soin lorsque vous approcher des coins sans visibilité, les arbustes, les arbres ou les autres objets qui pourraient vous cacher la vue.

Tests du système d'interverrouillage de sécurité

Cette machine est équipée d'un système d'interverrouillage de sécurité. Ne pas tenter de contourner ou d'altérer les commutateurs et les dispositifs.



Si la machine ne réussit pas le test de sécurité, ne pas opérer la machine. Veuillez voir un concessionnaire agréé.

TEST 1 — Le moteur ne doit PAS démarrer si :

- Le commutateur de prise de force est sur ON (Marche), OU
- La pédale de frein n'est PAS complètement enfoncée (frein de stationnement DESSERRÉ), OU
- L'opérateur n'est PAS sur le siège.

Test 2 — Le moteur DOIT démarrer si:

- que le commutateur de prise de force est sur OFF (Arrêt), ET
- L'opérateur est assis sur son siège ET
- Le frein de stationnement est enfoncé (Frein de stationnement sur tiré (ON)).

TEST 3 — Le moteur S'ARRÊTERA si :

- L'opérateur se lève du siège tandis que la PDF est embrayée OU
- L'opérateur se lève du siège alors que la pédale de frein n'est PAS complètement enfoncée (frein de stationnement ARRÊT (OFF)).

Test 4 — Vérifier le temps d'arrêt des lames de la tondeuse

Les lames de coupe et leur courroie d'entraînement s'arrêteront complètement dans les cinq secondes qui suivent la coupure du commutateur de PDF. Si la courroie

d'entraînement de la tondeuse ne s'arrête pas dans les cinq secondes, veuillez voir un concessionnaire agréé.

Test 5 — Contrôle de l'option de tonte en marche arrière (RMO)

- Le moteur s'arrêtera si une marche arrière est tentée et que la prise de force a été activée et que la RMO n'a pas été activée.
- Le voyant RMO s'allumera lorsque la RMO est activée.



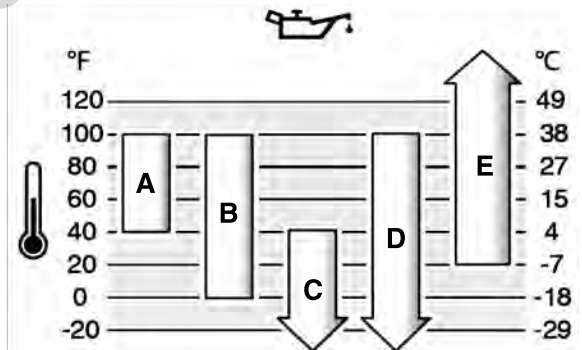
Tondre en marche arrière peut être dangereux pour les spectateurs. Les accidents tragiques peuvent survenir si l'opérateur n'est pas attentif à la présence des enfants. Ne jamais activer l'option de marche arrière en présence d'enfants. Les enfants sont souvent attirés par la machine et l'activité de tonte.

Moteur

Contrôle et remplissage d'huile moteur

Utiliser l'huile garantie et certifiée de Briggs & Stratton® pour obtenir la meilleure performance. D'autres huiles détergentes de haute qualité sont acceptables si elles sont de catégorie SF, SG, SH, SJ ou supérieure. Ne pas utiliser des additifs spéciaux.

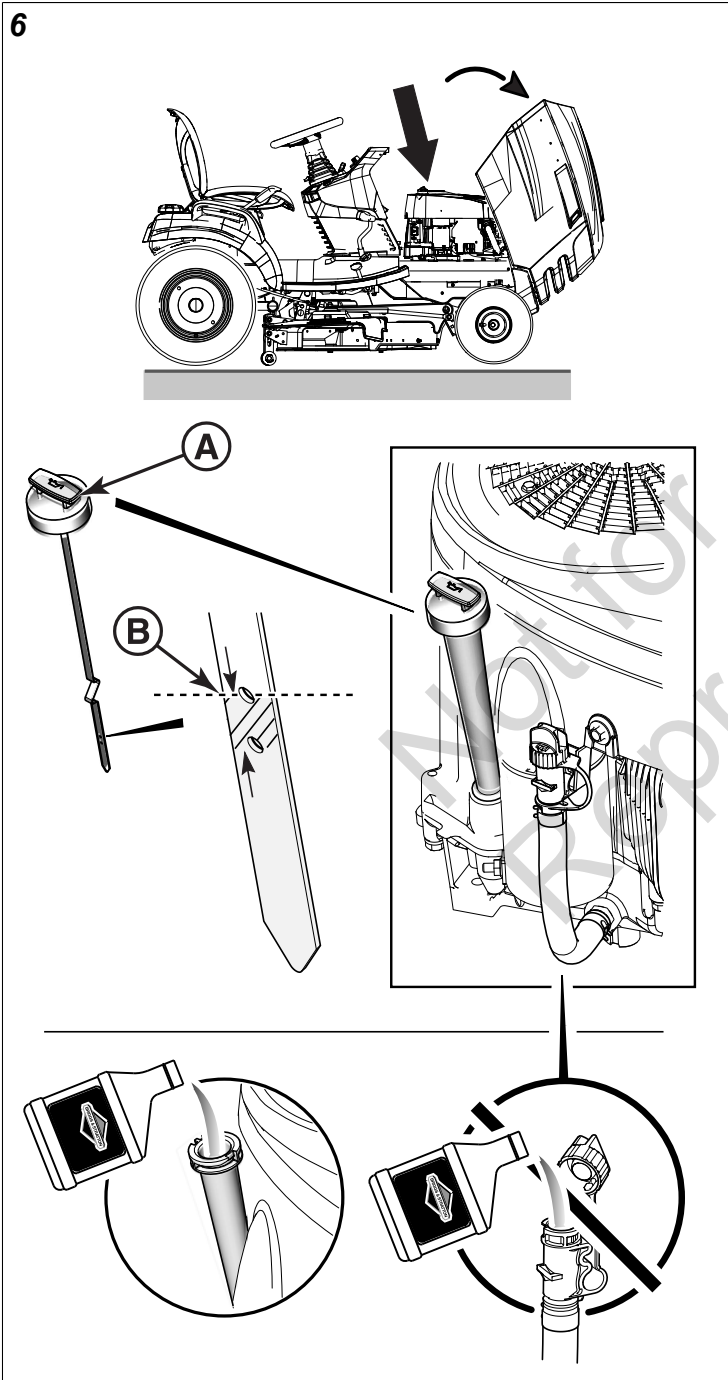
Les températures extérieures déterminent la viscosité appropriée de l'huile moteur. Utiliser le tableau pour sélectionner la meilleure viscosité pour la plage de températures extérieures prévues.



A	SAE 30 – En-dessous de 40 °F (4 °C), l'utilisation de SAE 30 causera une difficulté de mise en marche.
B	10W-30 – Au-dessus de 80 °F (27 °C), l'utilisation de 10W-30 peut causer une augmentation de la consommation d'huile. Inspecter le niveau d'huile plus souvent.
C	5W-30
D	Synthétique 5W-30
E	Synthétique 15W-50 de Vanguard®

1. Mettre l'appareil sur une surface de niveau (Figure 6).
2. Arrêter le moteur et retirer la clé de démarrage (E, Figure 3).
3. Retirer tous les matériaux non utiles de la zone de remplissage d'huile.

4. Retirer la jauge d'huile (A, Figure 6) de l'orifice de remplissage d'huile. Éliminer l'huile résiduelle de la jauge d'huile et la réinsérer dans l'orifice.
5. Replacer la jauge d'huile et la resserrer. Ressortir la jauge. S'assurer que le niveau d'huile atteint le repère PLEIN (B, Figure 6).
6. Si le niveau d'huile est bas, rajouter de l'huile moteur. Voir la section *Spécifications*.
7. Patienter une (1) minute. Confirmer que le niveau de l'huile atteint le repère PLEIN de l'indicateur. Replacer la jauge d'huile et la resserrer.



Pression d'huile

Si la pression d'huile est trop basse, un pressostat (si équipé) arrêtera le moteur ou activera un dispositif d'avertissement

sur l'équipement. Si cela se produit, arrêter le moteur et contrôler le niveau d'huile avec la jauge d'huile.

Si le niveau d'huile est en-dessous de l'indicateur AJOUTER, ajouter de l'huile jusqu'au niveau de l'indicateur PLEIN. Démarrer le moteur et vérifier que la pression de l'huile est bonne avant de continuer à opérer la machine.

Si le niveau d'huile est situé entre les indicateurs AJOUTER et PLEIN, **NE PAS démarrer le moteur**. Prendre contact avec un concessionnaire de service agréé pour corriger le problème de la pression d'huile.

Ajout de carburant

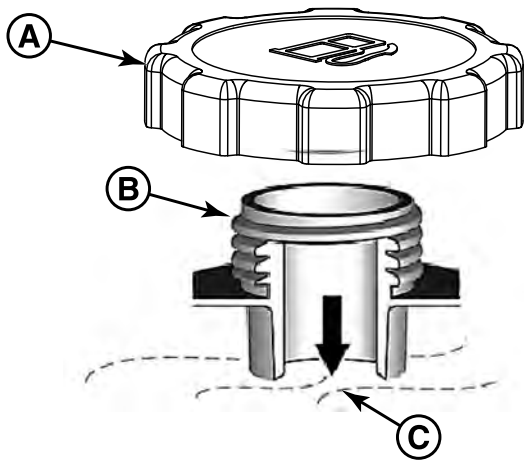


Le carburant et ses vapeurs sont extrêmement inflammables et explosifs. Toujours manipuler le carburant avec un soin extrême. Négliger ces instructions de sécurité peut causer un feu ou une explosion qui provoquera des brûlures graves ou la mort.

Lors du remplissage de carburant

- Arrêter le moteur et le laisser refroidir au moins 3 minutes avant d'enlever le bouchon de réservoir.
 - Éteindre cigarettes, cigares, pipes et autres sources de combustion.
 - Remplir le réservoir de carburant à l'extérieur ou dans un endroit bien ventilé.
 - Ne pas trop remplir le réservoir de carburant. Afin de permettre l'expansion du carburant, ne pas remplir au-dessus du goulot de remplissage.
 - Garder le carburant loin des étincelles, des flammes nues, des veilleuses, de la chaleur et autres sources d'allumage.
 - Vérifier fréquemment les conduites de carburant, le réservoir, le bouchon et les accessoires pour fissures et fuites. Remplacer si nécessaire.
 - En cas de déversements de carburant, attendre qu'il s'évapore avant de démarrer le moteur et éviter de créer des sources d'allumage.
 - Utiliser uniquement un contenant de carburant approuvé.
1. Retirer les matériaux non utiles autour du bouchon de carburant.
 2. Retirer le bouchon du réservoir de carburant (A, Figure 7).
 3. Remplir le réservoir de carburant (B) avec du carburant. **NE PAS** remplir au-dessus de la base du col du réservoir de carburant (C).
 4. Replacer le bouchon du réservoir de carburant.

7



1. Vérifier le niveau d'huile. Voir *Contrôle et remplissage d'huile moteur*.
2. S'assurer que les commandes d'entraînement de l'équipement sont débrayées.
3. S'asseoir sur le siège et SOULEVER le levier de réglage du siège pour verrouiller le siège en position.
4. Embrayer le contrôle du frein de stationnement. Enfoncer la pédale de frein, tirer vers l'extérieur la commande du frein de stationnement, puis relâcher la pédale de frein.
5. Pousser le commutateur de PDF pour le débrayer.
6. Placer la commande accélérateur/étrangleur à la position ÉTRANGLEUR (le cas échéant).
7. Veiller à ce que la clé de démarrage soit dans le contacteur de démarrage. Appuyer deux fois sur le bouton et le tenir jusqu'au démarrage du moteur.
8. Une fois le moteur en marche, mettre la commande accélérateur/étrangleur à mi-régime. Laisser le moteur sur MARCHE pendant au moins 30 secondes. Ceci permet de chauffer le moteur.
9. Mettre la commande accélérateur/étrangleur en position RAPIDE.

En cas d'une urgence, le tracteur / retirer la clé de démarrage pour démarrer immédiatement le moteur et le tracteur.

Remarque : Si le moteur ne démarre pas après plusieurs tentatives, contacter un concessionnaire de service autorisé.

Démarrer le moteur



AVERTISSEMENT
Le carburant et ses vapeurs sont extrêmement inflammables et explosifs.

Un incendie ou une explosion peut provoquer des brûlures graves voire la mort.

Lorsque le moteur est démarré :

- Veiller à ce que la bougie d'allumage, le silencieux, le bouchon de carburant et le filtre à air (si équipé) soient en place et bien fixés.
- Lorsque la bougie d'allumage est enlevée, ne pas mettre le moteur en marche.
- Si le moteur est noyé, régler le volet de départ (si équipé) à la position OUVERT/MARCHE, déplacer l'accélérateur (si équipé) à la position VITE et mettre en marche le moteur.



AVERTISSEMENT
Les moteurs dégagent du monoxyde de carbone, un gaz toxique sans odeur et sans couleur.

Le fait de respirer le monoxyde de carbone peut causer des nausées, des évanouissements ou la mort.

Un incendie ou une explosion peut provoquer des brûlures graves voire la mort.

- Démarrer et faire tourner le moteur à l'extérieur.
- Ne pas démarrer ou faire fonctionner le moteur dans un endroit clos, même si les portes ou les fenêtres sont ouvertes.

Arrêter le moteur



Le carburant et ses vapeurs sont extrêmement inflammables et explosifs. Un incendie ou une explosion peut provoquer des brûlures graves voire la mort.

- Ne pas étouffer le carburateur pour arrêter le moteur.

1. Relâcher les pédales de vitesses de déplacement au sol (Q, Figure 3).
2. Débrayer la prise de force (PTO) (O). Attendez l'arrêt de toutes les pièces en mouvement.
3. Placer le levier de commande des gaz (J) en position LENT.
4. Appuyer sur le bouton-poussoir démarrage/arrêt (F) pour ARRÊTER le moteur.
5. Enlever la clé de démarrage (E) et la garder hors de la portée des enfants.
6. Embrayer le contrôle du frein de stationnement (H). Enfoncer la pédale de frein (P), tirer vers le HAUT la commande du frein de stationnement, puis relâcher la pédale de frein.
En cas d'une urgence, le tracteur/moteur peut être immédiatement arrêté en appuyant sur le bouton-poussoir démarrage/arrêt ou en retirant la clé de démarrage.

Fonctionnement du tracteur

1. S'asseoir sur le siège et le régler de manière à pouvoir confortablement atteindre toutes les commandes et voir le tableau de bord. Consulter *Caractéristiques et commandes*.
 2. Engager le frein de stationnement :
 - a. Enfoncer complètement la pédale de frein.
 - b. Tirer la commande du frein de stationnement vers le HAUT.
 - c. Relâcher la pédale de frein.
 3. S'assurer que le commutateur de PTO est désembrayé.
 4. Démarrer le moteur. Voir *Démarrer le moteur*.
 5. Désengager le frein de stationnement :
 - a. Enfoncer complètement la pédale de frein.
 - b. Enfoncer le contrôle de frein de stationnement.
 - c. Relâcher la pédale de frein.
 6. Enfoncer la pédale de contrôle de vitesse afin d'avancer. Relâcher la pédale pour arrêter.
- Remarque* : Noter que plus la pédale est enfoncée, plus le tracteur se déplacera vite.
7. Arrêter le tracteur en relâchant les pédales de commande de vitesse de déplacement au sol, en mettant le frein de stationnement et en arrêtant le moteur. Voir *Arrêter le tracteur et le moteur*.

Traction à commande automatique (ACT)

La traction à commande automatique (ACT) applique un couple préalablement déterminé aux deux roues arrière même si l'une d'elles commence à glisser. Une transmission sans ACT perdra complètement sa traction si l'une des roues arrière commence à glisser. Ce couple pré-réglé est suffisant pour offrir une traction supplémentaire et permettre tout de même aux roues de tourner à des vitesses différentes dans un virage serré sans endommager la pelouse.

Dans certains cas, la limite du système ACT peut être dépassée, et un des pneus arrière peut glisser. Par exemple, si vous tourner sur une colline, lorsque vous accélérez. C'est normal. Si on commence à perdre de la traction, ne pas accélérer. Ralentir pour s'arrêter, mettre le volant droit et accélérer lentement. Arrêter le tracteur permet à la transmission de récupérer de la traction.

Régulateur de vitesse

Pour activer :

- Enfoncer le levier du régulateur de vitesse (S, Figure 3) jusqu'à la vitesse souhaitée.

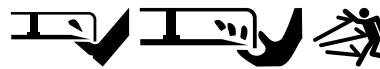
Pour désactiver :

- Tirer sur le levier du régulateur de vitesse ou enfoncer la pédale de frein (P).

Tonte



DANGER



Cette souffleuse à neige peut amputer les mains et les pieds, et projeter des objets. Le non-respect des consignes de sécurité de ce manuel peut entraîner la mort ou une blessure grave.

- N'utiliser la machine qu'à la lumière du jour ou dans une lumière artificielle de bonne qualité.
 - Éviter les trous, ornières, bosses, roches ou autres risques cachés.
Un terrain inégal peut renverser la machine et entraîner la perte d'équilibre ou de pied de l'opérateur.
 - Ne jamais diriger le dispositif de décharge vers quiconque. Éviter de décharger du matériel contre un mur ou obstruction, car il risque de ricocher vers l'opérateur.
 - Arrêter la ou les lames pour traverser des surfaces en gravier.
 - Ne jamais laisser une machine en marche sans surveillance. Toujours stationner sur un sol de niveau, désengager le gréement, tirer le frein de stationnement, arrêter le moteur et retirer la clé de démarrage.
1. Actionner la commande de frein de stationnement (H, Figure 3).
 2. S'assurer que le commutateur de PTO (M) est désembrayé.
 3. Démarrer le moteur. Voir *Démarrer le moteur*.
 4. Mettre le levier de commande des gaz (J) en position RAPIDE.
 5. Engager la PTO (N) pour activer les lames de la tondeuse.
 6. Utiliser le commutateur électrique de hauteur de coupe (C) pour régler la hauteur de coupe à la hauteur souhaitée. Voir *Réglage de la hauteur de coupe de la tondeuse*.
 7. Relâcher le frein de stationnement (H), ensuite commencer la tonte.
 8. Couper la PTO.
 9. ARRÊTER le moteur. Voir *Arrêter le tracteur et le moteur*.



AVERTISSEMENT

Le moteur s'arrêtera si la pédale de vitesse de déplacement au sol arrière est enfoncée pendant que la PTO est activée et que l'option de RMO n'est pas activée. L'opérateur devrait désactiver la PTO avant de traverser des routes, des allées ou toute autre zone pouvant être utilisées par d'autres véhicules. Une perte soudaine de contrôle pourrait créer un risque.

Régler la hauteur de coupe du plateau de la tondeuse

Le levier de levage de la tondeuse (D et R, Figure 3) abaisse le châssis en position de coupe ou soulève le châssis en position de transport.

Pour abaisser le plateau

Levage mécanique - (si équipé)

1. Sur le côté droit, tirer la manette du levier de la tondeuse (R, Figure 3) vers l'arrière sur une courte distance.
2. Le pousser vers la droite.
3. Le déplacer vers le bas.

Levage assisté - (si équipé)

1. Démarrer l'appareil. Veiller à ce que la pédale de frein (P, Figure 3) ne soit pas enfoncée.
2. Pousser le levier de levage assisté (D, Figure 3) vers l'avant pour abaisser le plateau en position de coupe.

Lever le plateau de la tondeuse

Levage mécanique - (si équipé)

1. Sur le côté droit, tirer le levier de levage de la tondeuse (R, Figure 3) vers le haut.
2. Bloquer dans l'encoche à la gauche.

Levage assisté - (si équipé)

1. Démarrer l'appareil. Veiller à ce que la pédale de frein (P, Figure 3) ne soit pas enfoncée.
2. Tirer le levier de levage assisté (D, Figure 3) jusqu'à ce que le plateau soit à sa position la plus élevée. Ceci est le mode de transport.

Remarque : Ne pas couper lorsque relevé en position de déplacement.

L'interrupteur électrique de hauteur de coupe (C, Figure 3) commande la hauteur de coupe de la tondeuse. Voir la section *Spécifications* pour les spécifications relatives à la hauteur de coupe.

Option de tonte en marche arrière (RMO)



Tondre en marche arrière peut être dangereux pour les spectateurs. Les accidents tragiques peuvent survenir si l'opérateur n'est pas attentif à la présence des enfants. Les enfants sont souvent attirés par la machine et l'activité de tonte. Ne jamais supposer que les enfants resteront à l'endroit où ils ont été vus pour la dernière fois.

- Éloigner les enfants de la zone d'opération et les laisser sous la surveillance d'un adulte responsable.
- Ne jamais transporter des personnes (particulièrement des enfants), même si les lames sont arrêtées. Les enfants risquent de tomber et de gravement se blesser ou d'interférer avec l'opération sécuritaire de la machine. Les enfants que l'on a transportés par le passé risquent d'apparaître brusquement dans la zone à tondre pour se faire transporter à nouveau et risquent se faire écraser ou de passer sous la machine.
- Ne pas tondre en marche arrière à moins que cela ne soit absolument indispensable. Toujours regarder vers le bas et vers l'arrière avant et pendant une tonte en marche arrière.
- Si la machine tond en marche arrière sans que l'option Tonte en marche arrière ne soit activée, consulter immédiatement un concessionnaire Briggs & Stratton agréé.

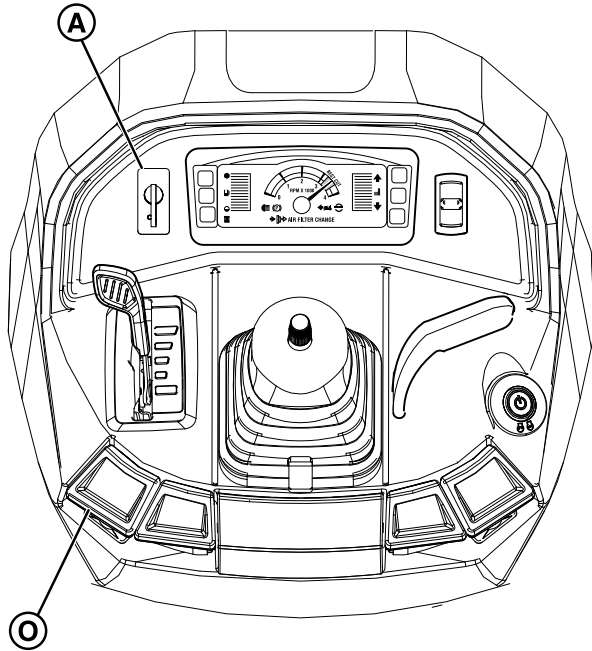


Tonte en marche arrière

L'option de tonte en marche arrière (RMO) permet à l'opérateur de tondre en marche arrière.

1. Activer la prise de force (PTO) (O, Figure 8).

8



2. Tourner la clé RMO (A) à la position MARCHE.
3. Le témoin DEL s'allume.

Remarque : Le RMO se désactive chaque fois que la PTO est désembrayée. Retirer la clé pour empêcher l'accès au RMO.

Entretien



AVERTISSEMENT



Une étincelle accidentelle peut entraîner un incendie ou un choc électrique.

Un démarrage accidentel peut entraîner un emmêlement, une amputation traumatique ou une laceration.

Avant les ajustements ou les réparations :

- Débrancher le câble de bougie et le garder à l'écart de la bougie.
- Débrancher la batterie à la borne négative (uniquement sur les moteurs munis de démarreur électrique).
- Utiliser uniquement des outils appropriés.
- Ne pas altérer le ressort du régulateur, la tringlerie ou toute autre pièce pour augmenter le régime du moteur.
- Les pièces de rechange doivent être de la même conception et installées dans la même position que les pièces d'origine. D'autres pièces peuvent ne pas fonctionner aussi bien, peuvent endommager la machine et peuvent entraîner des blessures.
- Ne pas frapper le volant-moteur avec un marteau ni un objet dur, car le volant-moteur pourrait éclater pendant le fonctionnement.

Calendrier d'entretien

TONDEUSE AUTOPORTÉE ET TONDEUSE

Toutes les 8 heures ou chaque jour

Vérifier le système d'interverrouillage de sécurité

Retirer tout matériau indésirable de la tondeuse autoportée, du plateau et du compartiment moteur.

Toutes les 25 heures ou 1 fois par année *

Vérifier la pression des pneus

Vérifier la durée de freinage des lames de la tondeuse

Vérifier la présence d'éléments desserrés sur la tondeuse autoportée et la tondeuse

Toutes les 50 heures ou 1 fois par année *

Nettoyer la batterie et les câbles

Vérifier les freins de la tondeuse

Consulter chaque année un détaillant autorisé Briggs & Stratton pour l'entretien.

Lubrifier la tondeuse autoportée et la tondeuse.

Vérifier les lames de la tondeuse**

* Selon la première éventualité.

** Faire une vérification des lames de la tondeuse plus souvent dans les régions aux sols sablonneux ou quand il y a beaucoup de poussière.

MOTEUR

Les 5 premières heures

Vidanger l'huile moteur

Toutes les 8 heures ou chaque jour

Vérifier le niveau d'huile du moteur

Toutes les 25 heures ou 1 fois par année *

Nettoyer le filtre à air et le dépoussiéreur du moteur**

Toutes les 50 heures ou 1 fois par année *

Vidanger l'huile moteur

Changer le filtre à carburant

Tous les ans

Remplacer le filtre à air

Remplacer le filtre de pré-nettoyage

Voir le concessionnaire tous les ans pour

Inspecter le silencieux et le pare-étincelles

Remplacement des bougies d'allumage

Changer le filtre à carburant

Nettoyer le système de refroidissement d'air

* Selon la première éventualité.

** Nettoyer plus souvent quand il y a beaucoup de poussière ou des débris emportés par le vent.

Système de gestion de carburant électronique

Le système de gestion de carburant électronique répond à la température du moteur, de son régime et de la tension de l'accumulateur pour régler l'étrangleur pour le démarrage et durant la période de réchauffement. Il n'y a aucun réglage sur le système. Si des problèmes de démarrage ou de fonctionnement surviennent, consultez un dépositaire de service autorisé Briggs & Stratton.

AVIS Assurez-vous de suivre la procédure ci-dessous sinon le système de gestion de carburant électronique pourrait être endommagé.

- Ne jamais actionner le démarreur si les connexions des câbles de l'accumulateur sont desserrées.
- Placez la clé de contact à la position OFF ou retirez la clé de contact avant de déconnecter, déposer ou de reposer l'accumulateur.
- Ne jamais tenter de démarrer le moteur avec le chargeur branché.
- Ne jamais déconnecter les câbles de l'accumulateur lorsque le moteur est en marche.
- Pour le raccordement de l'accumulateur, connecter le câble (+) et ensuite le câble (-).
- Pour recharger le bloc-piles, placer le contact à la position OFF et retirer le câble (-) de sa connexion.
- Ne pas exposer l'unité de commande électronique à un jet d'eau direct.

Charger la batterie.



Tenir la batterie à l'écart des flammes nues et des étincelles; les gaz émanant sont hautement explosifs. Bien ventiler la batterie pendant sa recharge.

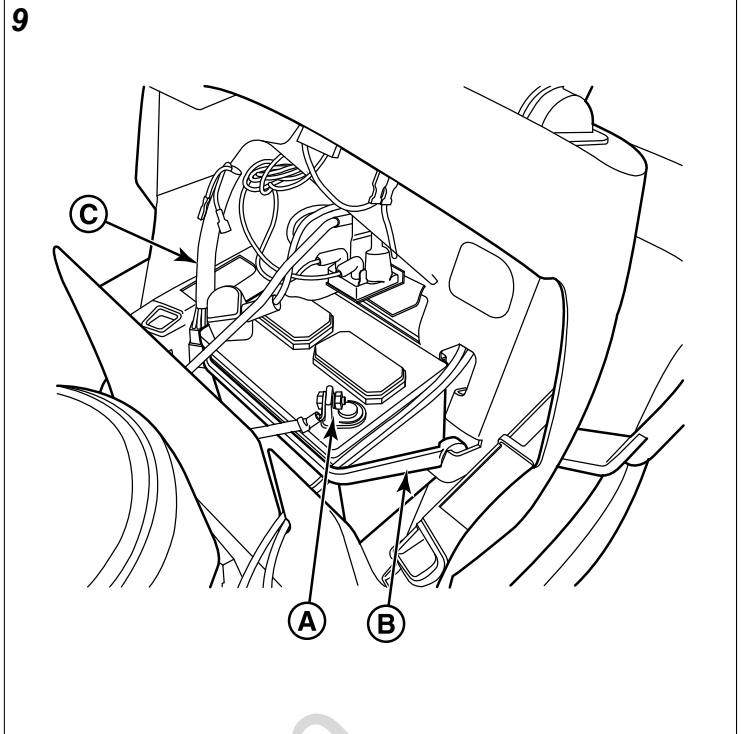
Une batterie morte ou faible peut causer des dommages au système de charge ou aux autres composants électriques. En cas de doute sur l'origine du problème, consulter un concessionnaire Briggs & Stratton agréé. Si vous devez remplacer la batterie, voir *Nettoyage de la batterie et des câbles*.

Pour charger la batterie, suivre les instructions fournies par le fabricant du chargeur de batterie ainsi que tous les avertissements figurant dans les sections sur les règles de sécurité de ce manuel. Recharger la batterie jusqu'à sa charge maximale. Ne pas recharger à une puissance supérieure à 10 A.

Entretien de la batterie



Lorsque les câbles de batterie sont déconnectés, il faut *d'abord* déconnecter le câble négatif (-) de la batterie, puis le câble positif (+) de la batterie. Lorsque les câbles de batterie sont connectés, ils faut *d'abord* connecter le câble de batterie positif (+) puis connecter le câble négatif (-) de la batterie. Si cette procédure est effectuée dans l'ordre inverse, la borne positive risque d'être court-circuitée au châssis par un outil.



1. NE PAS retirer ni connecter un câble de batterie pendant que le moteur est en marche. Éteindre l'appareil et retirer la clé de démarrage.
2. D'abord, déconnecter le câble négatif (-) de la batterie (A, Figure 9) de la batterie. Puis, débrancher le câble positif (+) de la batterie.
3. Enlever la courroie de retenue de la batterie (B) et la batterie.
4. Nettoyer le compartiment de batterie à l'aide d'une solution de bicarbonate de soude et d'eau.
5. Nettoyez les bornes de la batterie et les extrémités des câbles avec une brosse métallique et un nettoyant pour bornes de batterie.
6. Installer l'attache de fixation sur le dessus de la batterie (B).
7. Brancher d'abord le câble positif (+) à la batterie. Ensuite, connecter le câble négatif (-) de la batterie (A, Figure 9) de la batterie.
8. Enduisez une couche de vaseline ou de graisse non conductrice sur les extrémités des câbles et les bornes de batterie.

Temps d'arrêt de la lame de la tondeuse



Si la lame de la tondeuse ne s'arrête pas complètement en dedans de 5 secondes, l'embrayage doit être ajusté. Ne pas utiliser la machine avant que les réglages appropriés aient été effectués par un concessionnaire Briggs & Stratton agréé.

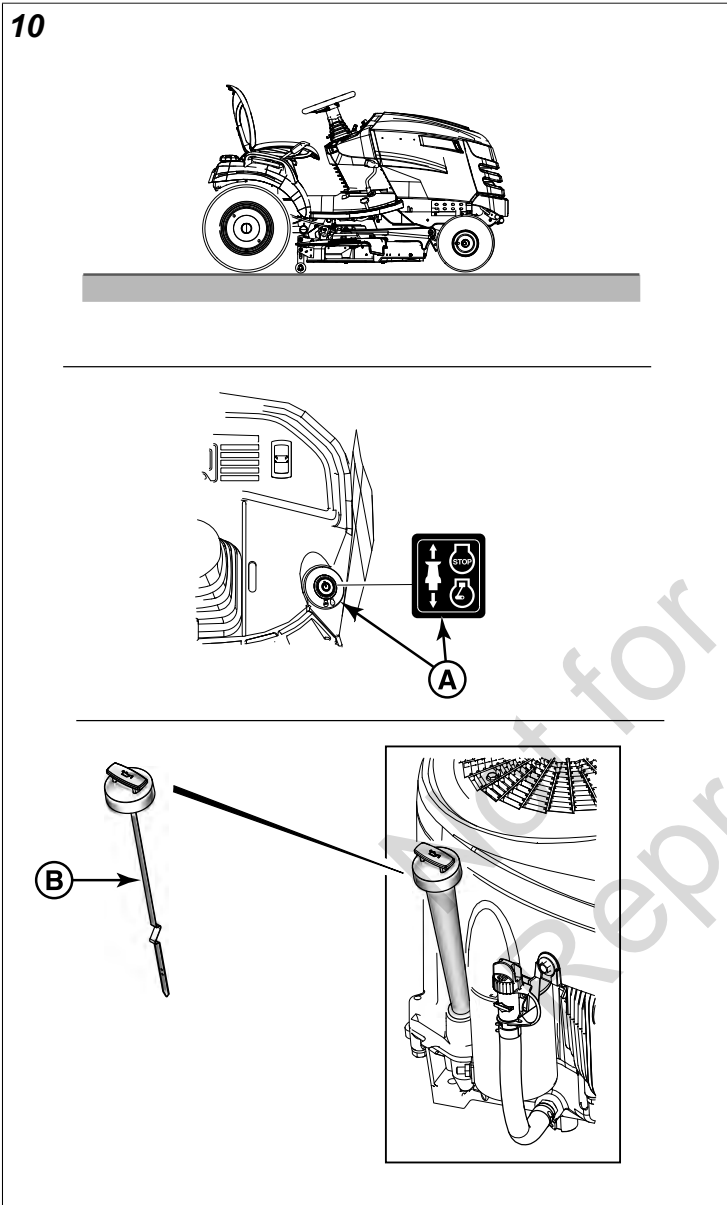
Les lames de coupe et leur courroie d'entraînement doivent s'arrêter complètement dans les cinq secondes qui suivent

le débrayage de la prise de force (PDF). Si la courroie d'entraînement de la tondeuse ne s'arrête pas dans les cinq secondes, veuillez voir un concessionnaire Briggs & Stratton agréé pour les réparations.

Vidanger l'huile moteur

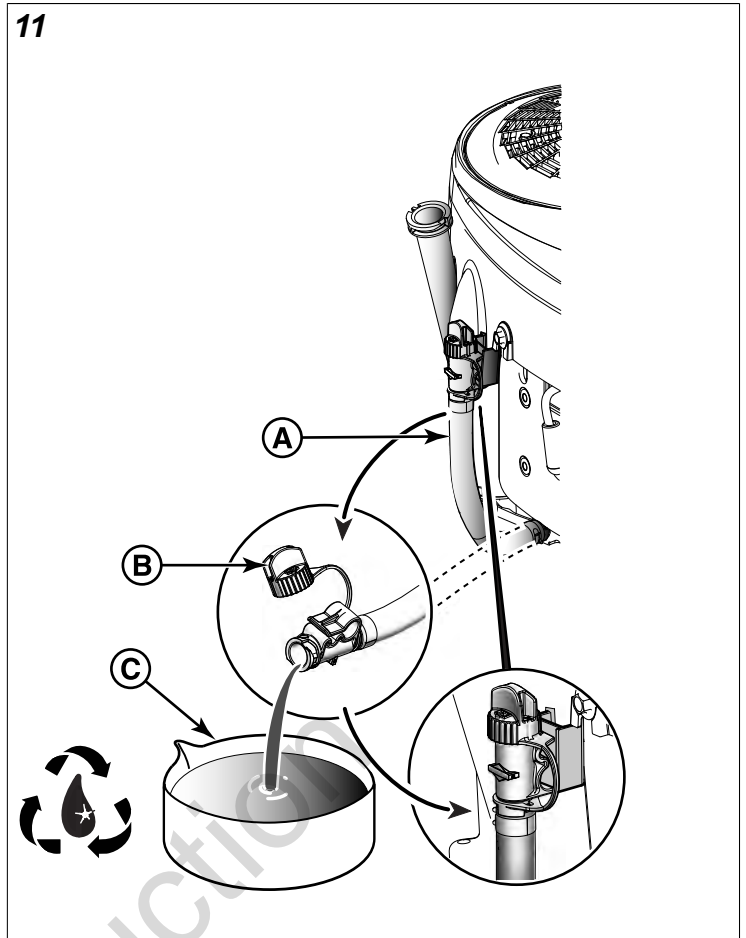
1. Faire fonctionner le moteur jusqu'à ce qu'il soit chaud.
2. Mettre le tracteur sur une surface de niveau (Figure, 10).

10



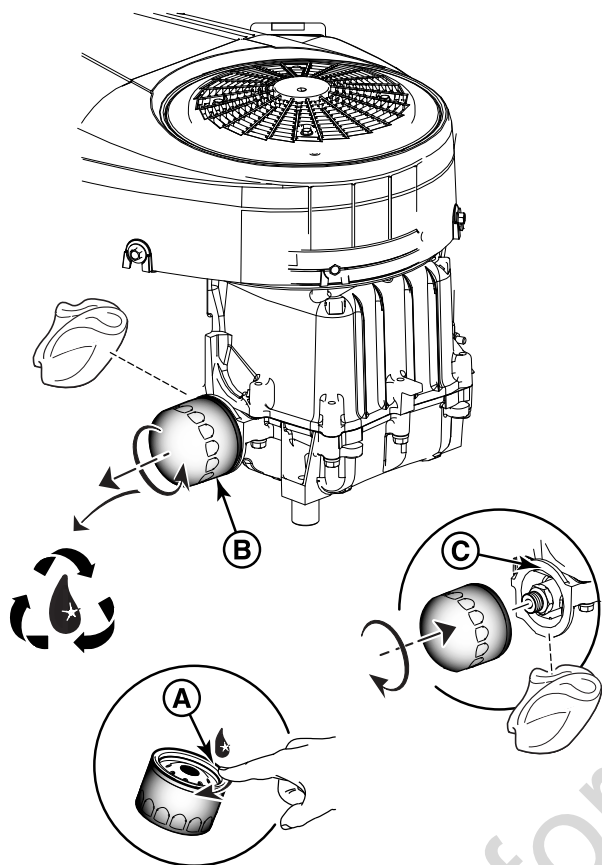
3. Arrêter le moteur et retirer la clé de démarrage (A, Figure 10).
4. Nettoyer les zones de remplissage d'huile et de filtre de tout débris.
5. Retirer la jauge et l'essuyer avec un chiffon propre.
6. Déconnecter le tuyau flexible de purge d'huile (A, Figure 11).

11



7. Retirer soigneusement le capuchon (B) et abaisser le tuyau dans un contenant approuvé (C).
8. Après la vidange d'huile, installer le capuchon fermement puis fixer le tuyau flexible sur le côté du moteur.
9. Retirer le filtre à huile (B, Figure 12) et jeter.

12



10. Lubrifier légèrement le joint d'étanchéité (A) du filtre à huile avec de l'huile propre.
11. Installer le filtre à huile à la main jusqu'à ce que le joint d'étanchéité touche l'adaptateur de filtre à huile (C), puis serrer le filtre à huile de 1/2 à 3/4 de tour.
12. Ajouter de l'huile. Voir la rubrique Vérification et ajouter de l'huile moteur.

Entretien du filtre à air

Assemblage du filtre à air (cartouche avec préfiltre)



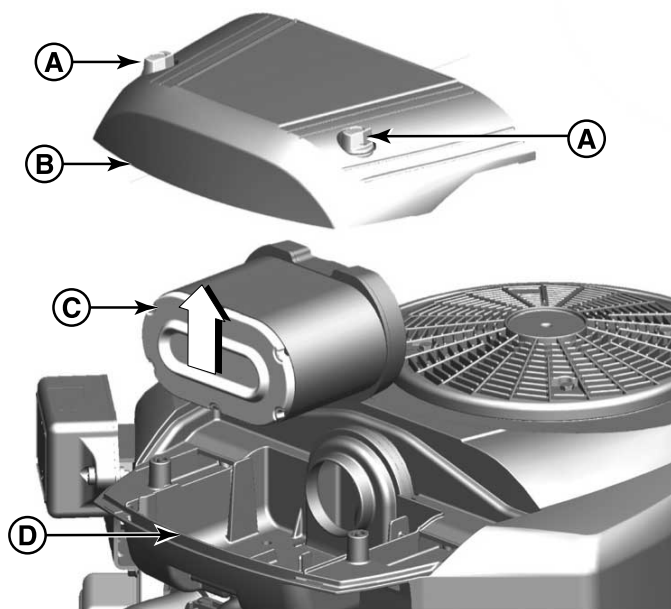
AVERTISSEMENT
NE PAS démarrer ni faire fonctionner le moteur avec l'ensemble du filtre à air ou le filtre à air retiré, car cela constitue un risque d'incendie.

AVIS

Ne pas utiliser d'air comprimé ni de solvant pour nettoyer le filtre. L'air comprimé peut endommager le filtre et les solvants peuvent le dissoudre.

1. Desserrer les fixations (A, figure 13) et le couvercle du filtre à air (B).

13



2. Retirer l'ensemble filtre à air (C) et démonter.
3. Retirer les débris se trouvant dans la gorge du carburateur (D).
4. Enlever le pré-dépoussiéreur du filtre à air.
5. Pour faire tomber les débris, tapoter doucement le filtre à air sur une surface dure. Si le filtre à air est trop sale, le remplacer par un filtre à air neuf.
6. Laver le préfiltre au détergent liquide et à l'eau. Ensuite, le laisser ensuite sécher complètement à l'air. Ne pas lubrifier le pré-filtre.
7. Assembler le dépoussiéreur sec au filtre à air.
8. Installer l'ensemble du filtre à air.
9. Installer le couvercle et le fixer avec les attaches.

Assemblage du filtre à air (cyclonique avec pré-filtre)



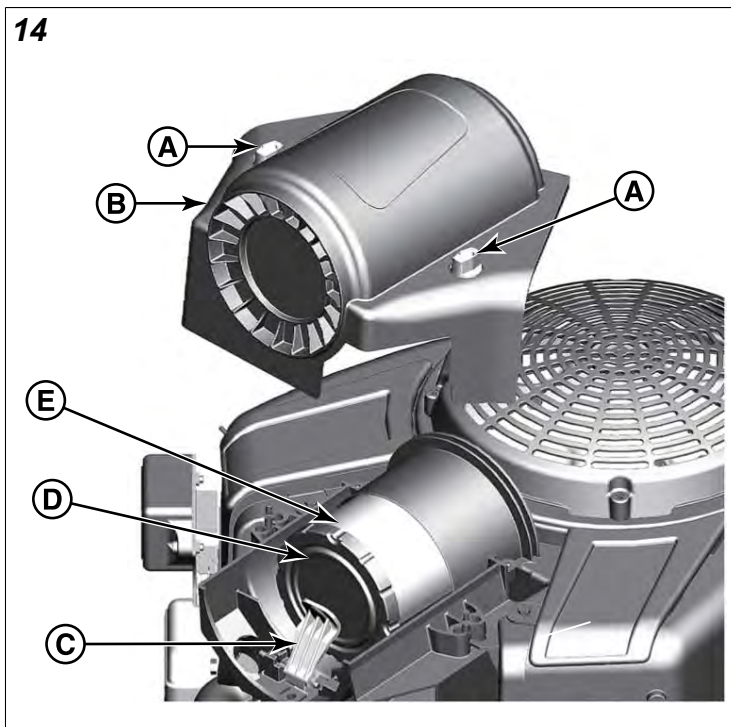
AVERTISSEMENT
NE PAS démarrer ni opérer le moteur avec l'ensemble du filtre à air ou le filtre à air retiré, car cela constitue un risque d'incendie.

AVIS

Ne pas utiliser d'air comprimé ni de solvant pour nettoyer le filtre. L'air comprimé peut endommager le filtre et les solvants peuvent le dissoudre.

1. Desserrer les fixations (A, Figure 14) et retirer le couvercle (B).

14



2. Ouvrir le verrou (C) et enlever l'ensemble filtre à air (D).
3. Enlever le pré-dépoussiéreur (E) du filtre à air.
4. Pour faire tomber les débris, tapoter doucement le filtre à air sur une surface dure. Si le filtre à air est sale, le remplacer par un nouveau filtre.
5. Laver le préfiltre au détergent liquide et à l'eau. Le laisser ensuite sécher complètement à l'air. Ne pas lubrifier le pré-filtre.
6. Assembler le dépoussiéreur sec au filtre à air.
7. Installer l'ensemble filtre à air et fermer le verrou.
8. Installer le couvercle avec les attaches.

Vérification de la pression des pneus

Pour une bonne traction et une meilleure tonte, veiller à ce que la pression de gonflage des pneus soit entre 12 et 14 psi (0,82 et 0,96 bar). Se reporter à Vérification de la pression des pneus dans la section *Programme d'entretien*. Lire également Pression de gonflage des pneus dans la section *Spécifications*.

Remarque : La pression de gonflage des pneus peut différer légèrement du « Gonflage maximal » indiqué sur le flanc des pneus.

Vérifier la bougie d'allumage



AVERTISSEMENT



Une étincelle accidentelle peut entraîner un incendie ou un choc électrique.

Un démarrage accidentel peut entraîner un emmêlement, une amputation traumatique ou une lacération.

Lors de l'essai de bougie d'allumage :

- Utiliser un vérificateur de bougies d'allumage approuvé.
- Ne pas vérifier l'allumage lorsque la bougie d'allumage est enlevée.

AVIS

Les bougies d'allumage ont des plages de chaleur différentes. Il est important qu'une bougie d'allumage appropriée soit utilisée, sinon des dommages au moteur peuvent se produire. Remplacer la bougie par le même type ou son équivalent.

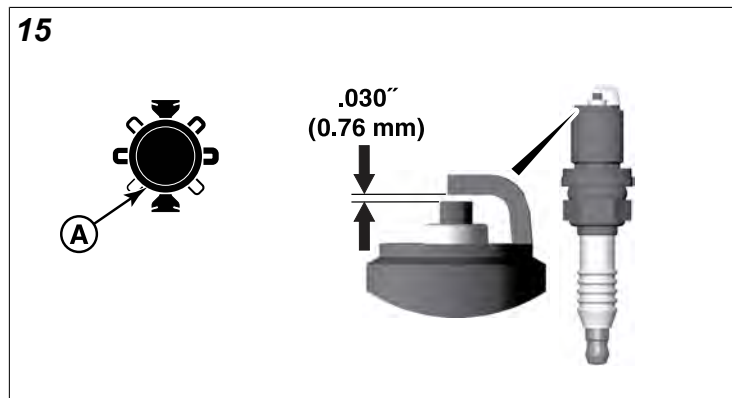
Nettoyer la bougie d'allumage

Nettoyer la bougie d'allumage avec une brosse métallique et un couteau robuste. Ne PAS utiliser d'abrasifs.

Contrôle de l'écartement de la bougie d'allumage

Utiliser une jauge d'épaisseur à lames (A, Figure 15) pour vérifier l'écartement entre les deux électrodes. L'écartement est adéquat lorsque la jauge frotte légèrement en la tirant par l'écartement.

Pour régler l'écartement de la bougie d'allumage, utiliser une jauge à bougie d'allumage et plier délicatement l'électrode courbé. Veiller à ne pas toucher le centre de l'électrode ni la porcelaine.



Installer la bougie d'allumage

Serrer la bougie d'allumage avec les doigts, puis avec une clé comme illustré à la Figure 16.

- 180 po-lb (20 Nm), OU
- 1/2 tour lors de l'installation de la bougie d'allumage originale. 1/4 de tour lors de l'installation d'une bougie d'allumage neuve.

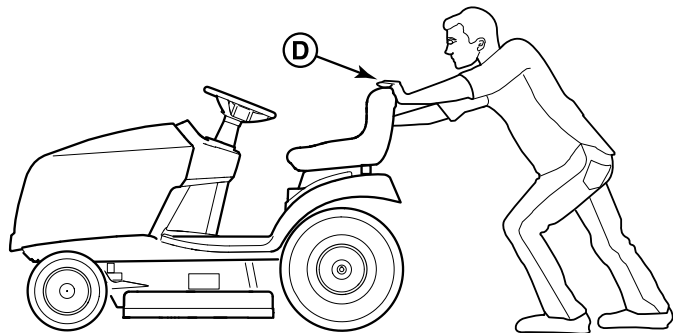
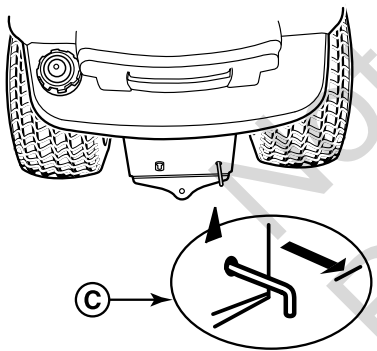
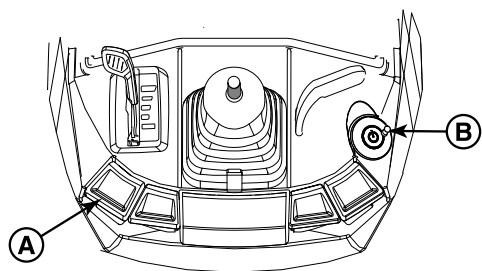
16



Déplacement du tracteur à la main

1. Désembrayer la prise de force (PDF) (A, Figure 17).

17



2. Arrêter le moteur (B).
3. Tirer le levier de débrayage de transmission (C) afin de le verrouiller dans la position relâché.
4. La tondeuse autoportée peut être poussée à la main (D).



AVERTISSEMENT

Si la machine est remorquée, la transmission sera endommagée. NE PAS utiliser un autre véhicule pour pousser ou tirer cette machine. NE PAS activer le levier de désembrayage de transmission lorsque le moteur est en marche.

Équipement remorqué

1. Avant de remorquer l'appareil, veiller à ce que l'attelage soit conçu pour le remorquage.
2. Ne pas attacher l'équipement remorqué SAUF au point d'attelage.
3. Suivre les recommandations du fabricant concernant les limites de poids de l'équipement remorqué et le remorquage sur les pentes.
 - Poids brut (remorque et charge) de 400 lb (181,4 kg).
 - Maximum de 20 lb (9,1 kg) pied sur ou sous le vérin.
 - Passe d'une limite de 10 degrés à une limite de 5 degrés pour toute tente.
4. NE PAS laisser des enfants ou toute autre personne monter dans ou sur un équipement remorqué.
5. Sur les pentes, le poids de l'équipement remorqué risque d'entraîner une perte de traction et une perte de contrôle.
6. NE PAS mettre au point mort et rouler en roue libre pour descendre la pente.

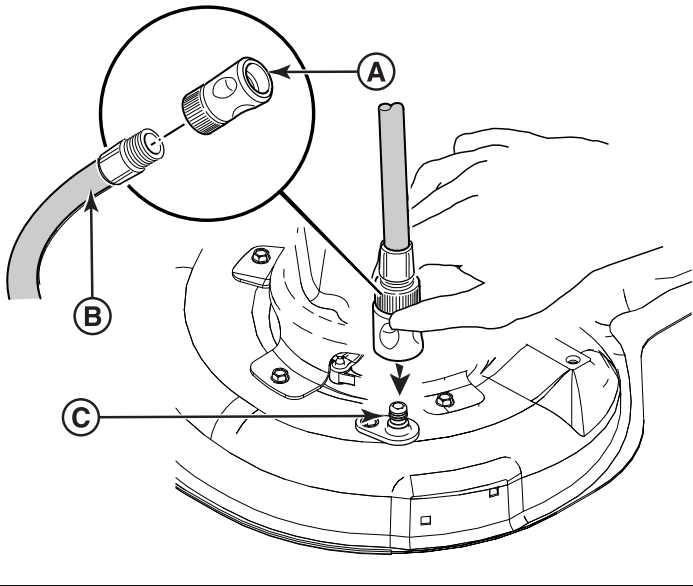
Nettoyer le tuyau d'échappement (si équipé)

Remarque :

Utiliser le point d'accès de rinçage (C, Figure 18) pour nettoyer le dessous du plateau de coupe.

1. Mettre l'appareil sur une surface plate et de niveau.
2. Fixer le raccord rapide (A, figure 18) au boyau d'arrosage (B) et raccorder au point d'accès de rinçage (C) sur le plateau de la tondeuse.
3. Ouvrir l'eau.
4. Démarrer le moteur.
5. Régler la hauteur de coupe à la position la plus élevée.
6. Embrayer la prise de force (PDF) pour activer les lames de la tondeuse. La rotation des lames et l'eau qui circule vont nettoyer le dessous du plateau de la tondeuse.
7. Débrancher la prise de force (PDF) et éteindre le moteur.
8. Fermer l'eau.
9. Enlever le boyau d'arrosage et le raccord rapide du point d'accès de rinçage (C).

18



- Contrôler tous les niveaux de liquide. Contrôler tous les points d'entretien.
- Effectuer tous les commandes et procédures recommandées qui se trouvant dans ce manuel.
- S'assurer que le moteur est chaud avant de l'utiliser.

Entreposage



Ne jamais remiser l'unité (avec le carburant) dans une structure non ventilée. Les vapeurs de carburant peuvent se déplacer vers une source d'inflammation (telle qu'une chaudière, un chauffe-eau, etc.) et entraîner une explosion.

- Entreposer loin des fournaies, poêles, chauffe-eau ou autres appareils ménagers ayant une veilleuse ou une autre source d'allumage pouvant enflammer les vapeurs d'essence.

Équipement

ÉTEINDRE la prise de force (PDF) et tirer le frein de stationnement. Retirer la clé de démarrage. Laisser la machine refroidir.

Si vous enlever la batterie, sa durée de vie augmentera. S'assurer que la batterie est dans un endroit frais et sec; la maintenir chargée. Si la batterie est laissée dans la machine, déconnecter le câble négatif.

Système de carburant

Le carburant peut s'éventer lorsqu'il est conservé dans un réservoir de stockage pendant plus de 30 jours. Chaque fois que vous remplissez le réservoir de carburant, ajoutez un stabilisateur de carburant au carburant tel qu'indiqué dans les directives du fabricant. Ceci maintient la fraîcheur du carburant et réduit les problèmes liés au carburant ou à la contamination dans le système de carburant.

Il n'est pas nécessaire de vidanger le carburant du moteur lorsqu'on ajoute du stabilisateur de carburant selon les directives. Avant l'entreposage, laisser le moteur sur MARCHE pendant deux minutes pour faire circuler le carburant et le stabilisateur dans le système.

Avant le démarrage de la machine après son remisage :

Dépannage

Dépannage de la tondeuse autoportée

PROBLÈME	CHERCHER UNE	SOLUTION
Le moteur ne tourne pas ou ne démarre pas.	La pédale de frein n'est pas enfoncée.	Enfoncer complètement la pédale de frein.
	Vider le réservoir de carburant.	Si le moteur est chaud, laisser refroidir et refaire le plein de carburant.
	Le commutateur de la PDF est sur la position MARCHÉ (ON).	Régler le commutateur de la PDF sur la position ARRÊT (OFF).
	Le régulateur de vitesse est enclenché.	Déplacer la manette du régulateur de vitesse à la position NEUTRE/OFF.
	Le moteur est noyé.	Débrancher le volet de départ.
	Les bornes de la batterie doivent être nettoyées.	Vous reporter à <i>Nettoyer la batterie et les câbles</i> .
	La batterie est déchargée ou morte.	Recharger ou changer la batterie.
	Câble desserré ou sectionné.	Inspecter visuellement le câblage. Si les fils sont effilochés ou brisés, voir un concessionnaire agréé.
Le moteur démarre difficilement ou ne fonctionne pas bien.	Mélange de carburant trop riche.	Nettoyer le filtre à air.
Cliquetis du moteur.	Niveau d'huile insuffisant.	Vérifier le niveau d'huile et au besoin, remettre au niveau.
	Mauvais grade d'huile.	Vous reporter à la section <i>Démarrer et arrêter le moteur</i> .
Trop d'huile.	Mauvais grade d'huile.	Vous reporter à la section <i>Démarrer et arrêter le moteur</i> .
	Il y a un surplus d'huile dans le carter moteur.	Vidanger l'huile restant.
Fumée d'échappement noire.	Le filtre à air est sale.	Vous reporter à la section <i>Entretien du filtre à air</i> .
	Le volet de départ est fermé.	Ouvrir le starter.
Le moteur fonctionne, mais la tondeuse autoportée n'avance pas.	Les pédales de contrôle de vitesse ne sont pas enfoncées.	Enfoncer les pédales de contrôle de vitesse.
	Le levier de débrayage de transmission est en position POUSSER (PUSH).	Déplacer le levier de désembrayage de transmission à la position DRIVE (CONDUIRE).
	Le frein de stationnement est serré.	Libérer le frein de stationnement.
La tondeuse autoportée se manœuvre et braque difficilement.	Mauvais gonflage du pneu.	Se reporter à la section <i>Vérification de la pression des pneus</i> .

Remarque : Pour tous les autres problèmes, prenez contact avec un revendeur agréé.

Dépannage de la tondeuse

PROBLÈME	CHERCHER UNE	SOLUTION
Tonte irrégulière.	Les pneus de la tondeuse autoportée sont mal gonflés.	Se reporter à la section <i>Vérification de la pression des pneus</i> .
Tonte d'aspect grossier.	Le régime du moteur est réglé trop lent.	Mettre à régime RAPIDE.
	La vitesse au sol est réglée à trop rapide.	Ralentir.
Le moteur cale facilement lorsque la tondeuse est engagée.	Le régime du moteur est réglé trop lent.	Mettre à régime RAPIDE.
	La vitesse au sol est réglée à trop rapide.	Ralentir.
	Le filtre à air est sale ou bouché.	Vous reporter à la section <i>Entretien du filtre à air</i> .
	La hauteur de coupe est réglée trop basse.	Tondre les herbes hautes à la hauteur de coupe maximale lors d'un premier passage.
	Le moteur n'a pas atteint sa température de fonctionnement.	Faire tourner le moteur pendant quelques minutes pour se réchauffer.
Le moteur s'allume et la tondeuse avance, mais ne coupe pas.	Le gazon est trop haut.	Démarrer la tondeuse dans une zone dégagée.
	PTO non engagée.	Engager la PTO.

Remarque : Pour tous les autres problèmes, prenez contact avec un revendeur agréé.

Spécifications

Tableau des spécifications (modèles Broadmoor™)

Article					
MODÈLES	2691670	2691671	2691672	2691673	2691674
MOTEUR	Série professionnel de Briggs & Stratton® avec ReadyStart	Série professionnel de Briggs & Stratton® avec ReadyStart	Série professionnel de Briggs & Stratton® avec ReadyStart	Série professionnel de Briggs & Stratton® avec ReadyStart	Série professionnel de Briggs & Stratton® avec ReadyStart
Cylindrée	724 cm³	724 cm³	724 cm³	724 cm³	724 cm³
Système électrique	16 A	16 A	16 A	16 A	16 A
Batterie	230 CCA	230 CCA	230 CCA	230 CCA	230 CCA
Volume d'huile	64 oz	64 oz	64 oz	64 oz	64 oz
Écartement des électrodes de bougie	0,03 po (0,76 mm)	0,03 po (0,76 mm)	0,03 po (0,76 mm)	0,03 po (0,76 mm)	0,03 po (0,76 mm)
Couple de serrage de bougie	180 lb-po (20 Nm)	180 lb-po (20 Nm)	180 lb-po (20 Nm)	180 lb-po (20 Nm)	180 lb-po (20 Nm)
Capacité de carburant	3,6 gal	3,6 gal	3,6 gal	3,6 gal	3,6 gal
TRANSMISSION					
Marque et type	Tuff Torq® K57	Tuff Torq® K57	Tuff Torq® K57	Tuff Torq® K62	Tuff Torq® K62
PLATEAUX DE LA TONDEUSE					
Largeur de coupe	44 po (112 cm)	48 po (122 cm)	50 po (127 cm)	48 po (122 cm)	52 po (132 cm)
Nombre de lames	3 levages standard	3 levages standard	3 levages standard	3 levages standard	3 levages standard
Hauteur de coupe	1,5 à 4 po (3,8 à 10,2 cm)	1,5 à 4 po (3,8 à 10,2 cm)	1,5 à 4 po (3,8 à 10,2 cm)	1,5 à 4 po (3,8 à 10,2 cm)	1,5 à 4 po (3,8 à 10,2 cm)
CHÂSSIS					
Dimensions des pneus roues avant	15 x 6-6	15 x 6-6	16 x 6,5-8	16 x 6,5-8	16 x 6,5-8
Pression de gonflage du pneu, avant	12 à 14 psi (0,82 à 0,92 bar)	12 à 14 psi (0,82 à 0,92 bar)	12 à 14 psi (0,82 à 0,92 bar)	12 à 14 psi (0,82 à 0,92 bar)	12 à 14 psi (0,82 à 0,92 bar)
Dimensions des pneus roues arrière	22 x 10-10	22 x 10-10	22 x 10-10	22 x 10-10	23 x 10,5-12
Pression de gonflage du pneu, arrière	10 psi (0,68 bar)	10 psi (0,68 bar)	10 psi (0,68 bar)	10 psi (0,68 bar)	10 psi (0,68 bar)

Tableau des spécifications (modèles Conquest™)

Article		
MODÈLES	2691675	2691676
MOTEUR	Série commerciale par Briggs & Stratton® avec EFM	Série commerciale par Briggs & Stratton® avec EFM
Cylindrée	724 cm³	724 cm³
Système électrique	16 A	16 A
Batterie	350 CCA	350 CCA
Volume d'huile	64 oz	64 oz
Écartement des électrodes de bougie	0,03 po (0,76 mm)	0,03 po (0,76 mm)
Couple de serrage de bougie	180 lb-po (20 Nm)	180 lb-po (20 Nm)
Capacité de carburant	3,6 gal	3,6 gal
TRANSMISSION		
Marque et type	Tuff Torq® K66	Tuff Torq® K66
PLATEAUX DE LA TONDEUSE		
Largeur de coupe	50 po (127 cm)	52 po (132 cm)
Nombre de lames	3 levages standard	3 levages standard
Hauteur de coupe	1,5 à 4 po (3,8 à 10,2 cm)	1,5 à 4 po (3,8 à 10,2 cm)
CHÂSSIS		

Article		
Dimensions des pneus roues avant	16 x 6,5-8	16 x 6,5-8
Pression de gonflage du pneu, avant	12 à 14 psi (0,82 à 0,92 bar)	12 à 14 psi (0,82 à 0,92 bar)
Dimensions des pneus roues arrière	23 x 10,5-12	23 x 10,5-12
Pression de gonflage du pneu, arrière	10 psi (0,68 bar)	10 psi (0,68 bar)

Tableau des spécifications (modèles Prestige™)

Article		
MODÈLES	2691677	2691678
MOTEUR	Série commerciale par Briggs & Stratton® avec EFI	Série commerciale par Briggs & Stratton® avec EFI
Cylindrée	810 cm ³	810 cm ³
Système électrique	16 A	16 A
Batterie	350 CCA	350 CCA
Volume d'huile	67 oz	67 oz
Écartement des électrodes de bougie	0,03 po (0,76 mm)	0,03 po (0,76 mm)
Couple de serrage de bougie	180 lb-po (20 Nm)	180 lb-po (20 Nm)
Capacité de carburant	3,6 gal	3,6 gal
TRANSMISSION		
Marque et type	Tuff Torq® K72	Tuff Torq® K72
PLATEAUX DE LA TONDEUSE		
Largeur de coupe	50 po (127 cm)	52 po (132 cm)
Nombre de lames	3 levages standard	3 levages standard
Hauteur de coupe	1,5 à 4 po (3,8 à 10,2 cm)	1,5 à 4 po (3,8 à 10,2 cm)
CHÂSSIS		
Dimensions des pneus roues avant	16 x 6,5-8	16 x 6,5-8
Pression de gonflage du pneu, avant	12 à 14 psi (0,82 à 0,92 bar)	12 à 14 psi (0,82 à 0,92 bar)
Dimensions des pneus roues arrière	23 x 10,5-12	23 x 10,5-12
Pression de gonflage du pneu, arrière	10 psi (0,68 bar)	10 psi (0,68 bar)

Puissance nominale

Les valeurs brutes de puissance nominale de chaque modèle de moteur à essence sont indiquées conformément au code J1940 Procédure d'évaluation de la puissance et du couple nominaux des petits moteurs de la SAE (Society of Automotive Engineers) et sont évaluées conformément à SAE J1995. Les valeurs de couple sont dérivées à 2 600 tr/min pour les moteurs avec « tr/min » sur l'étiquette et 3 060 tr/min pour tous les autres; les valeurs de puissance sont dérivées à 3 600 tr/min. Les courbes de puissance brute peuvent être consultées au www.BRIGGSandSTRATTON.COM. Les valeurs nettes de puissance sont prises alors que l'échappement et le filtre à air sont installés alors que les valeurs brutes de puissance sont mesurées sans ces accessoires. La puissance brute réelle du moteur sera supérieure à la puissance nette du moteur et sera affectée, entre autres, par les conditions de fonctionnement ambiantes ainsi que par les différences entre moteurs. Étant donné la vaste gamme de produits sur lesquels les moteurs sont installés, le moteur à carburant peut ne pas développer la puissance nominale brute lorsqu'il est utilisé pour entraîner une pièce d'appareil donnée. Cette différence est causée par différents facteurs dont, mais sans s'y limiter, la variété des composants du moteur (filtre à air, échappement, chargement, refroidissement, carburateur, pompe à carburant, etc.), les limites de l'appareil, les conditions de fonctionnement ambiantes (température, humidité, altitude) et les différences entre les moteurs. En raison des limites de fabrication et de capacité, Briggs & Stratton peut substituer à ce moteur, un moteur d'une valeur de puissance plus élevée.

Pièces et accessoires

Communiquer avec un centre de service autorisé.

Not for
Reproduction

Not for
Reproduction

Not for
Reproduction