

Hustler® Parts Manual



HUSTLER®
TURF EQUIPMENT

200 South Ridge Road

Hesston, Kansas

67062



NOTICE OF REQUIREMENT OF SPARK ARRESTER MUFFLER

This equipment may create sparks that can start fires around dry vegetation. California Public Resources Code Section 4442.6 provides that it is unlawful to use or operate an internal combustion engine on any forest-covered, brush-covered, or grass-covered land unless the engine is equipped with a spark arrester maintained in effective working order. A spark arrester is a device constructed of nonflammable materials specifically for the purpose of removing and retaining carbon and other flammable particles over 0.0232 of an inch in size from the exhaust flow of an internal combustion engine that uses hydrocarbon fuels or which is qualified and rated by the United States Forest Service. Other states or federal areas may have similar laws. The Operator Should Contact Local Fire Agencies For Laws or Regulations Relating to Fire Prevention Requirements. **THIS EQUIPMENT DOES NOT HAVE A SPARK ARRESTER AND YOU SHOULD CONTACT YOUR AUTHORIZED DEALER FOR THE PURCHASE OF A SPARK ARRESTER.**

Inspect spark arrester daily; replace every 500 hours or as needed.

The Engine Owner's Manual provides information regarding the U.S. Environmental Protection Agency (EPA) and the California Emission Control Regulation of emission systems, maintenance and warranty.

Keep Engine Owner's Manual with your unit. Should the Engine Owner's Manual become damaged or illegible, replace immediately. Replacements may be ordered per the information found in the Product Information section of the owner's manual.

Federal law and California State law prohibit the following acts or the causing thereof:

1. The removal or rendering inoperative by any person other than for purposes of maintenance, repair, replacement, of any device or element of design incorporated into any equipment for the purposes of emissions control prior to or after its sales or delivery to the ultimate purchaser or while it is in use, or
2. The use of the equipment after such device or element of design has been removed or rendered inoperative by any person.

General Information 1

Frame & Engine Guard

Frame 3-1
Decals - Models Ending in "US" 3-2
Engine Guard, Kawasaki 3-3
Engine Guard, Kawasaki FX1000V DFI 3-4
Engine Guard, Vanguard - S/N 16117977 & Higher 3-5
Engine Guard, Vanguard - S/N 15090000 to 16117976 3-6
Engine Guard, Vanguard - S/N Prior to 15090000 3-7

Hydraulic System, Drive Belt, Clutch, Steering & Brake

Pump Drive, Drive Belt & Clutch 4-1
Hydraulic Components 4-2
Hydraulic Reservoir Assembly Breakdown 4-3
Right Pump Breakdown 4-4
Left Pump Breakdown 4-5
Wheel Motor Breakdown 4-6
Hydraulic Motor Service Parts 4-7
Oil Cooler Mount—S/N 16051477 & Higher 4-8
Oil Cooler Mount—S/N Prior to 16051477 4-9
Steering 4-10
LS Steering Box Assembly 4-11
RS Steering Box Assembly 4-12
Steering Sub-Assembly 4-13
Steering Cover Assembly (P1 OF 2) 4-14
Steering Cover Assembly (P2 OF 2) 4-15
Brake 4-16

Wheels & Tires

Wheel & Tire Install 5-1
Front Wheel Breakdown 5-2
Deck Gauge Wheel Breakdown - S/N 15109758 & HIGHER 5-3
Deck Gauge Wheel Breakdown - S/N PRIOR TO 15109758 5-4
Drive Wheel Breakdown 5-5

Engine, Muffler & Fuel System

Engine, Kawasaki FX1000V 6-1
Engine, Kawasaki FX1000V DFI 6-2
Fuel System - Kawasaki FX1000V DFI 6-3
Engine Service Parts, Kawasaki 6-4
Engine, Vanguard - Without Carbon Canister 6-5
Engine, Vanguard - With Carbon Canister 6-6
Engine, Vanguard EFI 6-7
Engine Service Parts, Vanguard 6-8
Engine Service Parts, Vanguard M61 EFI 6-9
Fuel System, Vanguard - With Carbon Canister 6-10
Evap System, Vanguard - With Carbon Canister 6-11
Fuel System, Kawasaki / Vanguard - Without Carbon Canister 6-12
Fuel Tank Service Parts - 607872 6-13
Fuel Tank Service Parts - 607873 6-14

Instrument Panel, Wire Harness & Battery

Battery 7-1
Instrument Panel - Kawasaki FX1000V - S/N 15120000 & Higher 7-2
Instrument Panel - Kawasaki FX1000V - S/N PRIOR TO 15120000 7-3
Instrument Panel - Kawasaki FX1000V DFI 7-4
Instrument Panel - Vanguard - S/N 15120000 & Higher 7-5
Instrument Panel - Vanguard - S/N PRIOR TO 15120000 7-6
Instrument Panel - Vanguard EFI 7-7

Center & Wing Decks, Deck Belts, Blades, Wings & Deck Lift

Center Deck, Idlers, Pulleys, Spindles, Belts & Blades

Center Service Deck	8.1-1
Center Deck Idler Slides—S/N 15096976 & Higher	8.1-2
Center Deck Idlers—S/N 15096976 & Higher	8.1-3
Center Deck Pulleys & Spindles—S/N 15096976 & Higher	8.1-4
Center Deck Idler Slides - S/N 15038417 to 15096975	8.1-5
Center Deck Idlers - S/N 15038417 to 15096975	8.1-6
Center Deck Pulleys & Spindles - S/N 15038417 to 15096975	8.1-7
Center Deck Idler Slides - S/N Prior to 15038417	8.1-8
Center Deck Idlers - S/N Prior to 15038417	8.1-9
Center Deck Pulleys & Spindles - S/N Prior to 15038417	8.1-10
Center Deck, Deck Belts & Blades - S/N 16010783 & Higher (Multi-Page)	8.1-11
Service parts for mowers with serial numbers prior to 13020001	8.1-12
Center Deck, Deck Belts & Blades - S/N Prior to 16010783 (Multi-Page)	8.1-13

Right Side Deck, Pulleys, Spindles & Blades

Right Side Service Deck	8.2-1
Right Side Deck Pulleys & Spindles	8.2-2
Right Side Deck Assembly & Blades - S/N 16030051 & Higher (Multi-Page)	8.2-3
Right Side Deck Assembly & Blades - S/N 16010000 to 16030050 (Multi-Page)	8.2-4
Right Side Deck Assembly & Blades - S/N Prior to 16010000 (Multi-Page)	8.2-5

Left Side Deck, Pulleys, Spindles & Blades

Left Side Service Deck	8.3-1
Left Side Deck Pulleys & Spindles	8.3-2
Left Side Deck Assembly & Blades - S/N 16030051 & Higher (Multi-Page)	8.3-3
Left Side Deck Assembly & Blades - S/N 16010000 to 16030050 (Multi-Page)	8.3-4
Left Side Deck Assembly & Blades - S/N Prior to 16010000 (Multi-Page)	8.3-5
Deck & Wing Assembly (P1 OF 2)	8-4
Deck & Wing Assembly (P2 OF 2)	8-5
Deck Lift (P1 OF 2)	8-6
Deck Lift (P2 OF 2)	8-7
Deck Mounting Hardware—S/N 15096976 & Higher (Multi-Page)	8-8
Deck Mounting Hardware - S/N PRIOR TO 15096976 (Multi-Page)	8-9
Wing Lift System (P1 OF 2)	8-10
Wing Lift System (P2 OF 2)	8-11
Manifold Block Breakdown	8-12
Spindle Assembly Service Parts - 607407 & 607408	8-13

Seat & ROPS

Seat - S/N 15100000 & Higher	9-1
Seat - S/N Prior to 15100000	9-2
Seat Service Parts, Grammer - 605696 (Black & Gray)	9-3
Seat Service Parts, Grammer (Gray)	9-4
ROPS	9-5

General Information

Note: When ordering parts, you must use the part number as shown for each part, not the index number. Always give the model and serial number to your parts and service representative.

Note: Items sold in bulk such as seals and hoses are sold by the foot.

Using This Manual

This manual is part of a service package for the Hustler® mowers. Use of this manual in conjunction with other Hustler® mower and component manuals will provide the information necessary to service and maintain Hustler® mowers.

This Parts Manual provides a complete parts listing for the unit. Use this manual when ordering parts. Illustrations used were current at the time of printing, but subsequent production changes may cause your machine to vary slightly in detail. Excel Industries, Inc. reserves the right to redesign and change the machine as deemed necessary, without notification. If a change has been made to your machine which is not reflected in this parts manual, see your authorized dealer for current information and parts.

The Service Manual is a service guide for use by Service Technicians. It provides the necessary information needed to perform normal maintenance requirements on these units.

The Operator's Manual provides fundamental operational information and operational safety that is needed when operating the mower.

The component manuals are furnished by the various manufacturers to be used for the troubleshooting and servicing of their products.

Hardware Description Codes & Abbreviations

The following codes are used throughout this parts manual. Refer to this list when ordering parts.

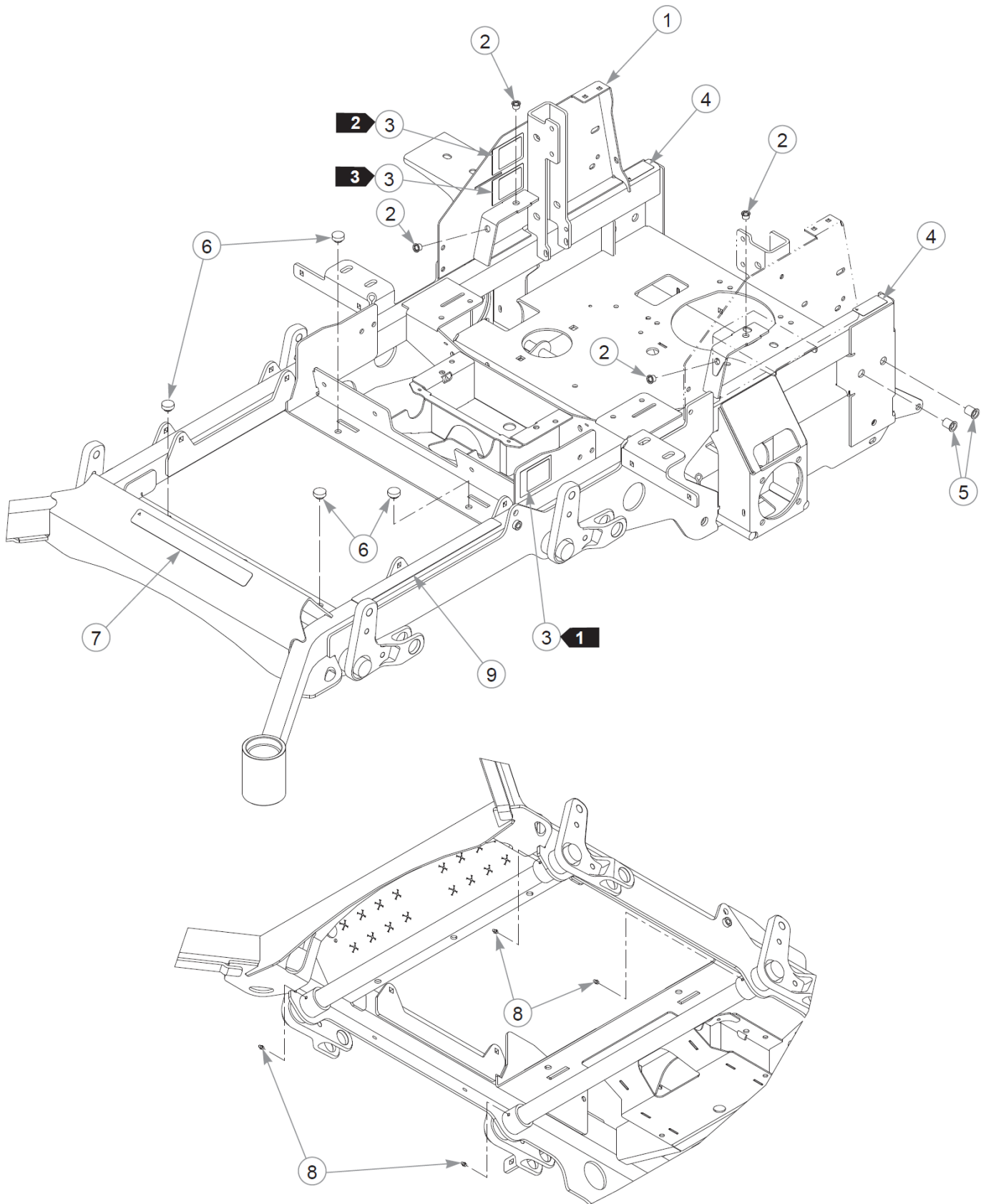
ABBREVIATION	DESCRIPTION	ABBREVIATION	DESCRIPTION
CB	CARRIAGE BOLT	MB	MACHINE BUSHING
CE	CLEVIS PIN	MS	MACHINE SCREW
CN	CLIP NUT	NT	NUT
CP	COTTER PIN	SC	SELF TAPPING CAP SCREW
CS	CAP SCREW	SH	SOCKET HEAD
CW	CUP WASHER	SB	SHOULDER BOLT
FDRW	FENDER WASHER	SS	SET SCREW
FW	FLAT WASHER	OD	OUTSIDE DIAMETER
HX	HEX HEAD	ID	INSIDE DIAMETER
LW	LOCK WASHER	WN	WELD NUT

Standard Torques

The following chart lists the standard torque values for the threaded fasteners found in this manual. Torque all cap screws, nuts and set screws to these values unless a different torque is shown in the Notes section next to the fastener.

SIZE	FT-LBS	N•M	SIZE	FT-LBS	N•M
.250	8.2	11.1	M3	1	1.3
.312	17	23	M4	2.2	3
.375	30	40	M5	4.5	6.1
.438	48	65	M6	7.7	10.4
.500	73	99	M8	18.5	25
.562	105	143	M10	37	50
.625	145	200	M12	64	87
.750	260	350	M14	80	108.5
.875	420	565	M16	160	215
1.00	625	850	M20	320	435
			M24	555	750

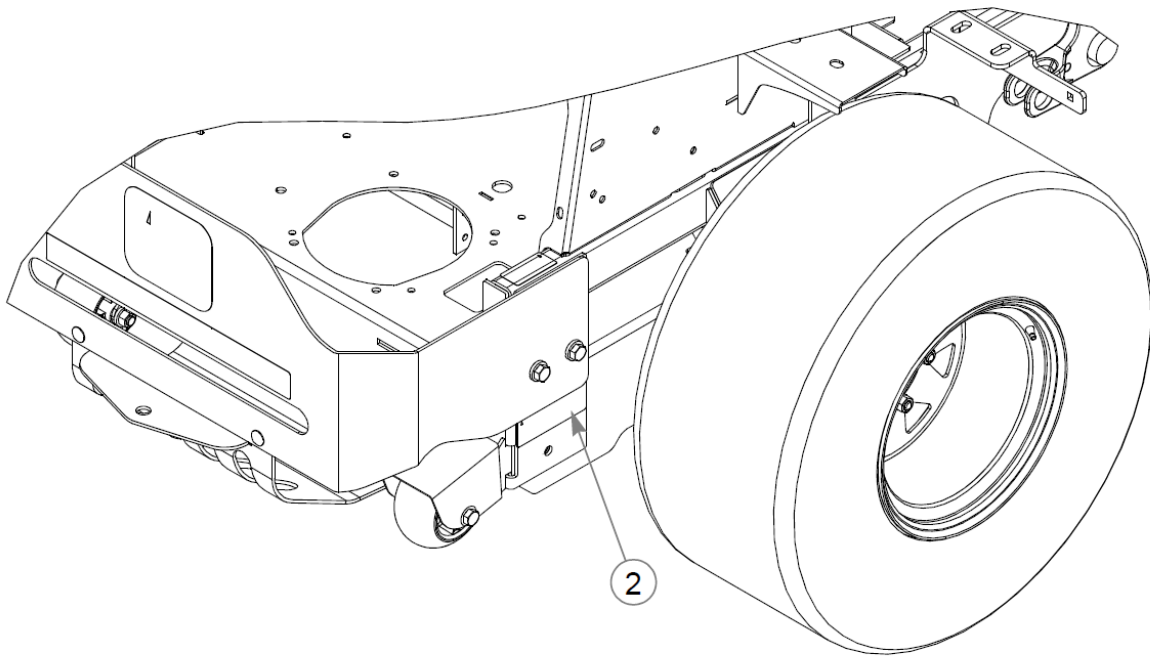
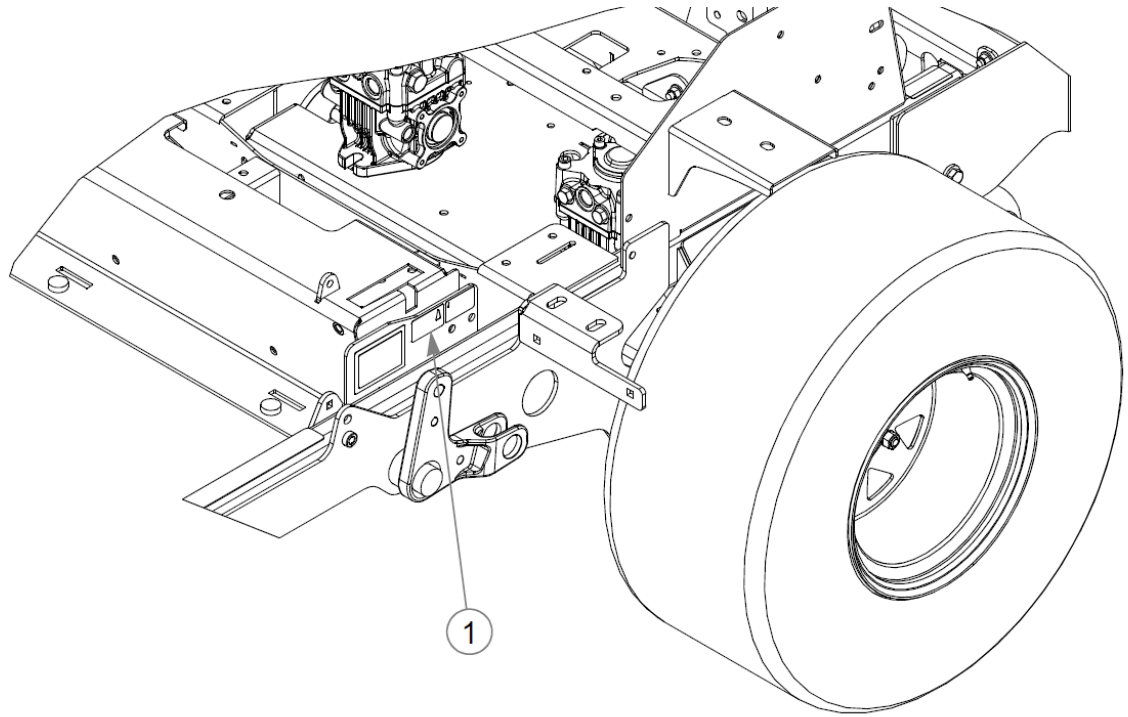
This page intentionally left blank



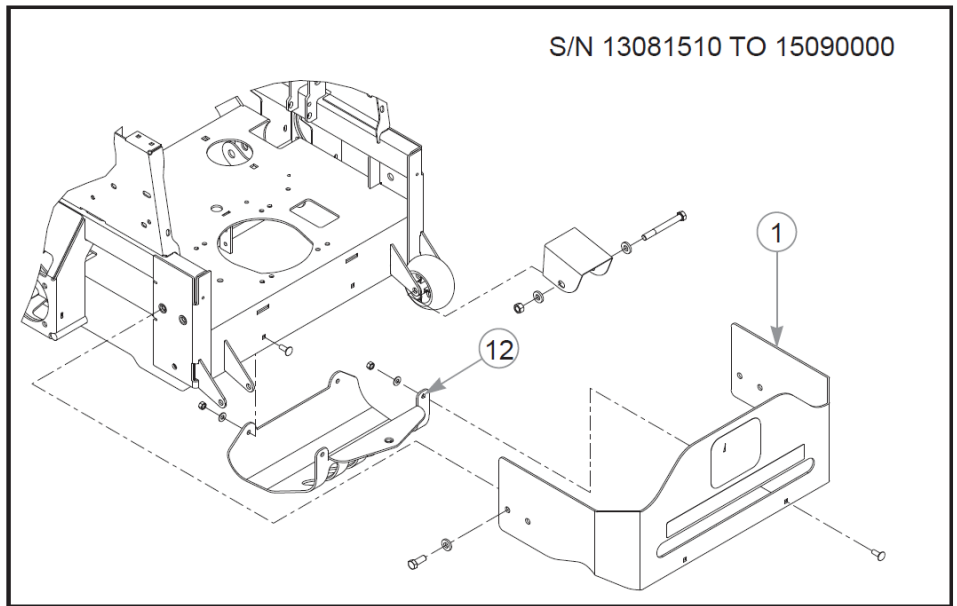
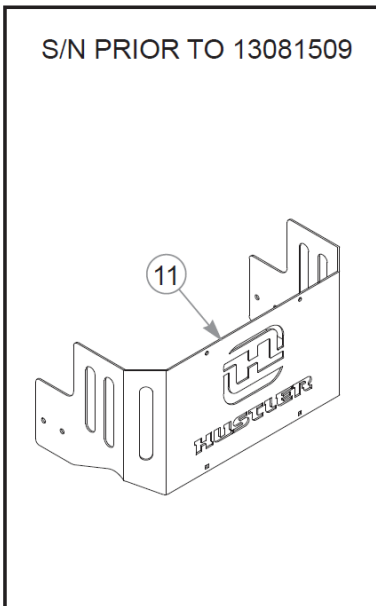
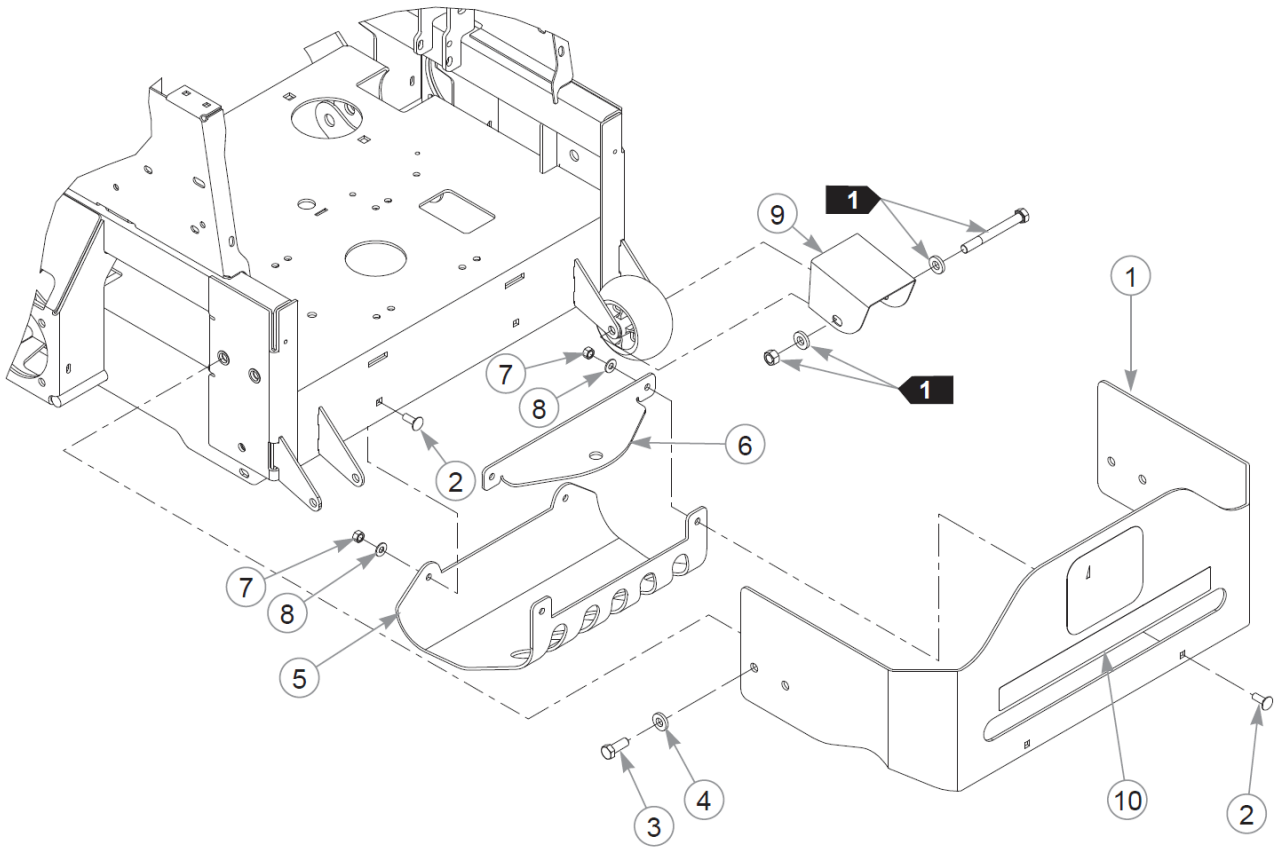
Item	Part No.	Qty	Name
1	551751	1	FRAME, S104
2	808493	4	RIVET NUT, 3/8-16 THREA
3	N/A	3	SERIAL NO. / SPEC DECAL
4	602041	2	DECAL, HOT
5	600961	4	RIVET NUT, 1/2-13 THREAD
6	781880	4	BUMPER, .500x 1.00x .31
7	602407	1	DECAL, HUSTLER ID
8	015495	4	GREASE FITTING STRAIGHT
9	601993	1	DECAL, SAFE OPERATION

Comments for Page: Frame

1. Serial number decal. In the event the serial number decal becomes damaged or illegible, please contact your dealer to order a replacement.
2. EPA compliance decal.
3. Patent numbers decal.
4. Frame includes decals and rivet nuts.



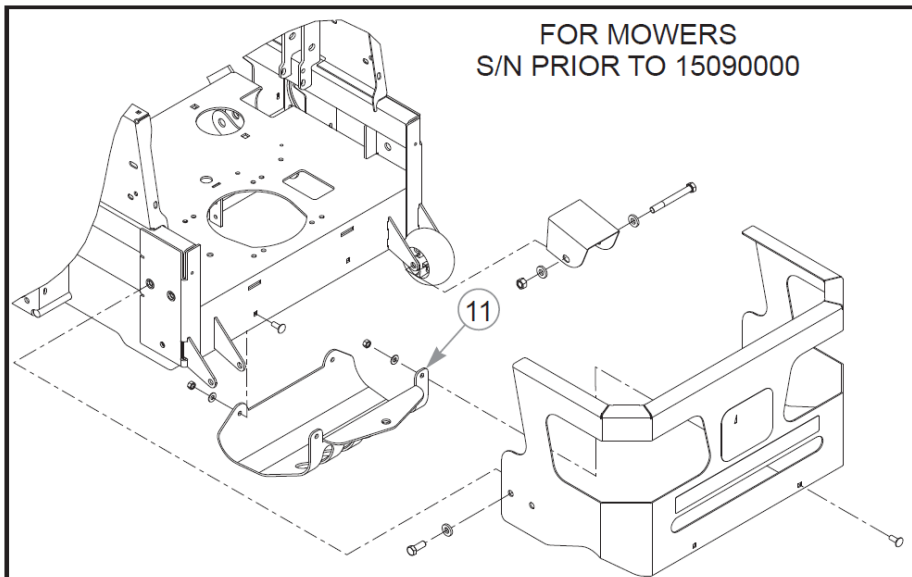
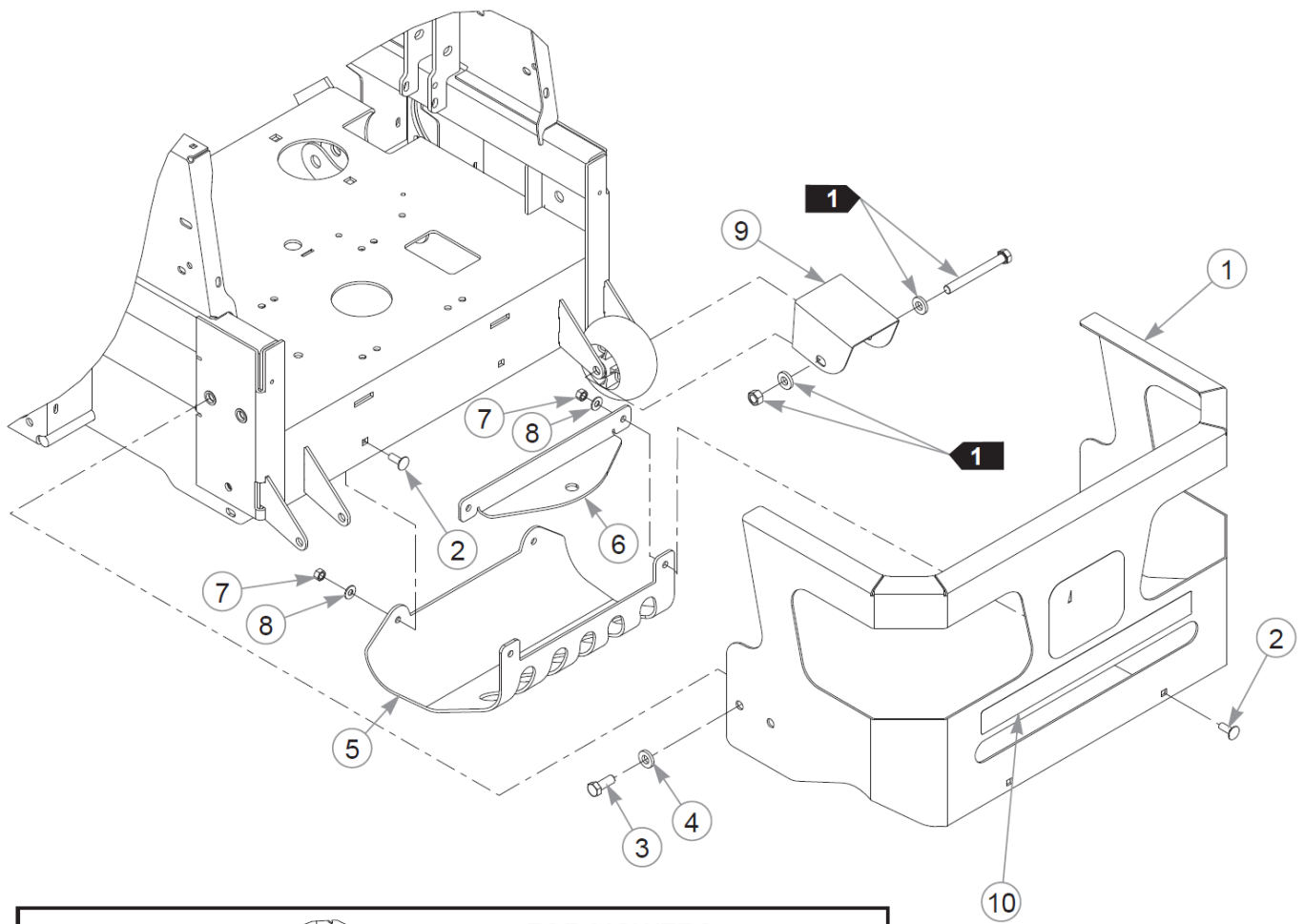
Item	Part No.	Qty	Name
1	603363	1	DECAL, ANSI COMPLIANCE
2	601908	1	DECAL, SPARK ARRESTOR



Item	Part No.	Qty	Name
1	117209	1	ENGINE GUARD
2	025395	4	CB .375-16X 1.00 G5 ZN
3	705954	4	CS .500-13X1.25 HX G5 ZN
4	767962	4	FW .531 x 1.063 x .175
5	121403	1	MUFFLER GUARD
6	124385-3	1	HITCH
7	054502	4	NT .375-16HXG5
8	767954	4	FW 0.379X.82X.06 HD ZN
9	377994	2	HEAT SHIELD, MMZ ROLLER
10	604352	1	DECAL, H LOGO
11	116222	1	ENGINE GUARD, S104
12	115905	1	HITCH

Comments for Page: Engine Guard, Kawasaki

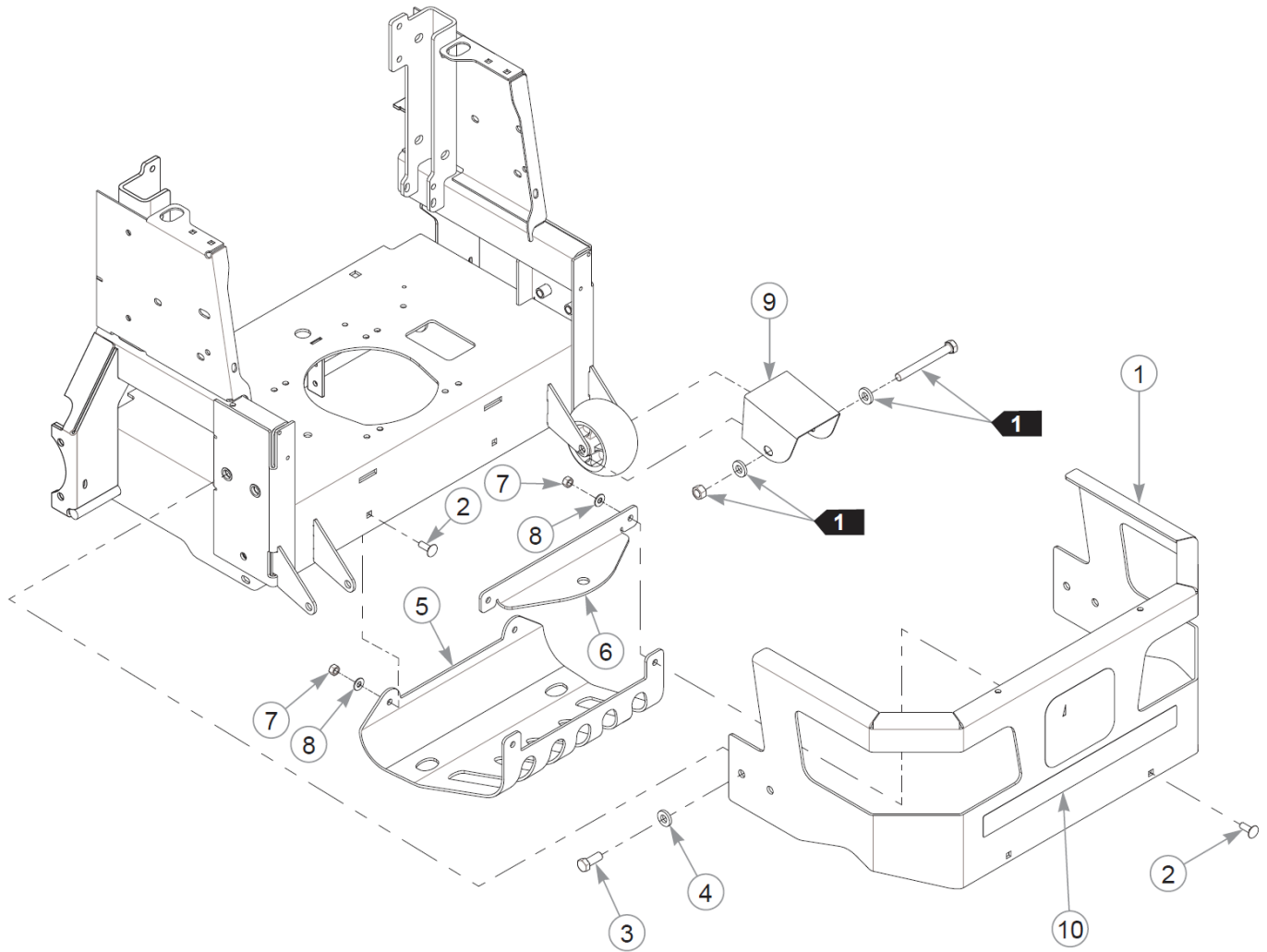
1. Part of the Wheel & Tire Assembly.



Item	Part No.	Qty	Name
1	552776	1	SVC, ENGINE GUARD S104
2	025395	4	CB .375-16X 1.00 G5 ZN
3	705954	4	CS .500-13X1.25 HX G5 ZN
4	767962	4	FW .531 x 1.063 x .175
5	121403	1	MUFFLER GUARD
6	124385-3	1	HITCH
7	054502	4	NT .375-16HXG5
8	767954	4	FW 0.379X.82X.06 HD ZN
9	377994	2	HEAT SHIELD, MMZ ROLLER
10	604352	1	DECAL, H LOGO
11	115905	1	HITCH

Comments for Page: Engine Guard, Kawasaki FX1000V DFI

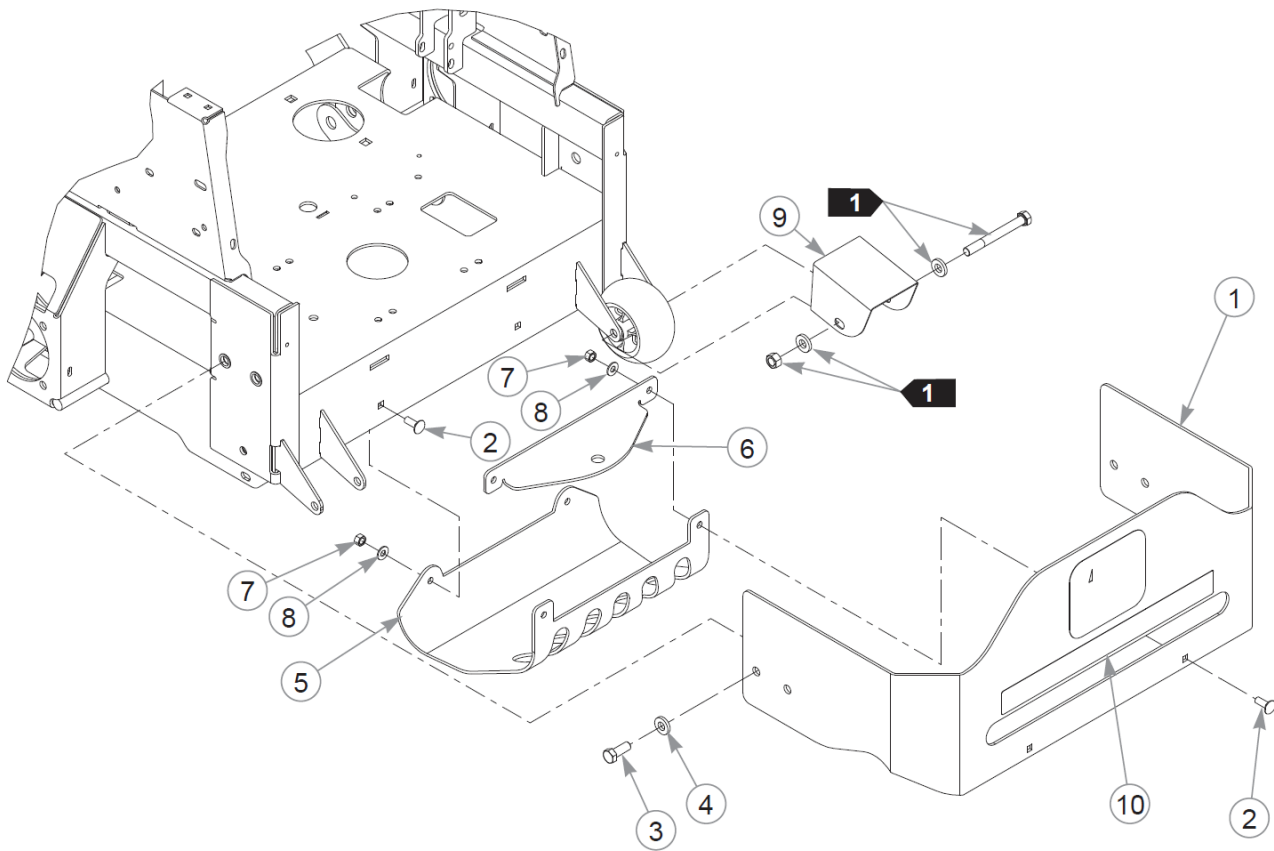
1. Part of the Wheel & Tire Assembly.



Item	Part No.	Qty	Name
1	554251	1	SVC, BUMPER WITH DECAL
2	025395	4	CB .375-16X 1.00 G5 ZN
3	705954	4	CS .500-13X1.25 HX G5 ZN
4	767962	4	FW .531 x 1.063 x .175
5	124573-3	1	MUFFLER GUARD
6	124385-1	1	HITCH
7	054502	4	NT .375-16HXG5
8	767954	4	FW 0.379X.82X.06 HD ZN
9	377994	2	HEAT SHIELD, MMZ ROLLER
10	604352	1	DECAL, H LOGO

Comments for Page: Engine Guard, Vanguard - S/N 16117977 & Higher

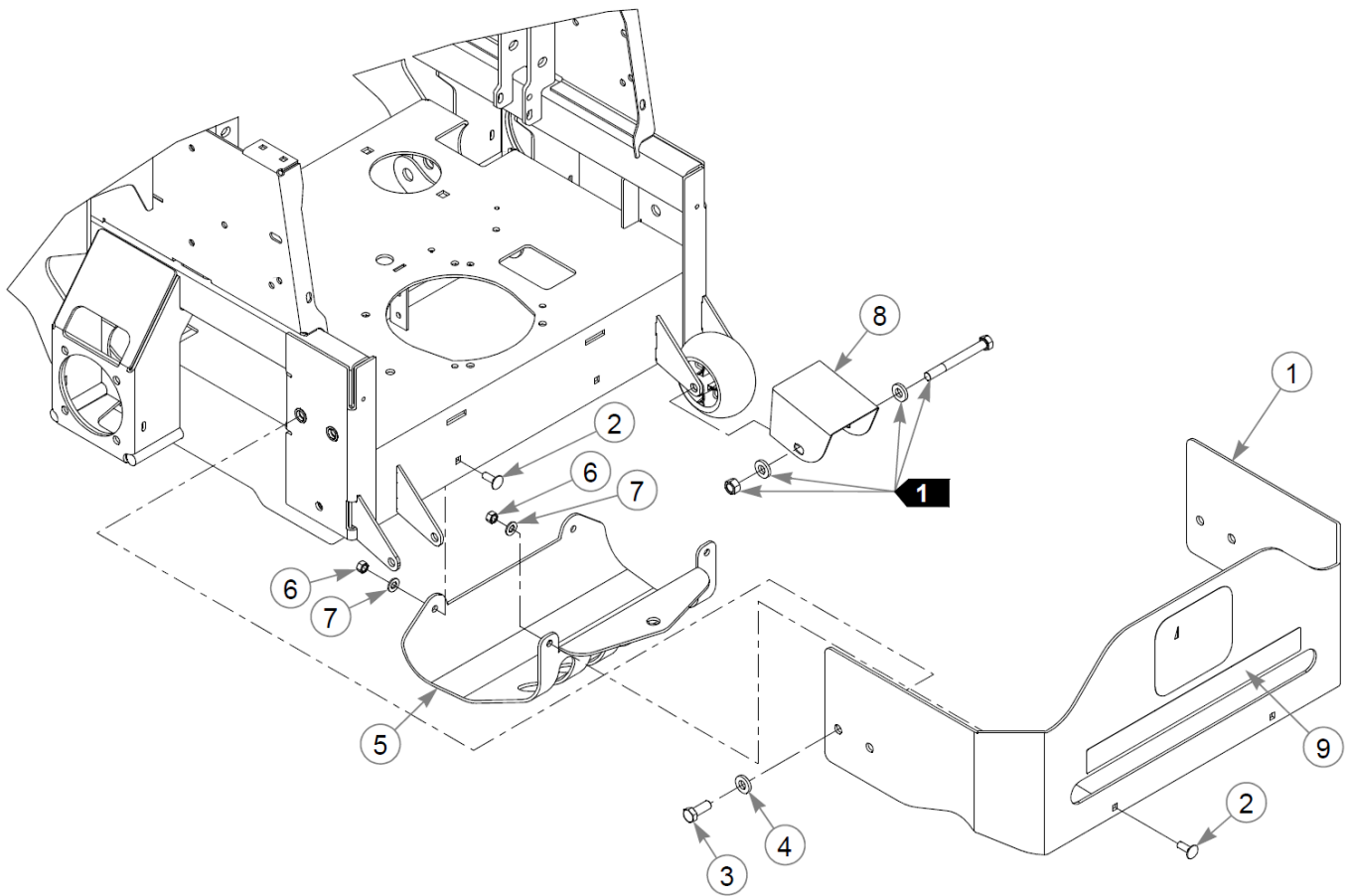
1. Part of the Wheel & Tire Assembly.2. The engine guard includes the decal.



Item	Part No.	Qty	Name
1	117209	1	ENGINE GUARD
2	025395	4	CB .375-16X 1.00 G5 ZN
3	705954	4	CS .500-13X1.25 HX G5 ZN
4	767962	4	FW .531 x 1.063 x .175
5	121403	1	MUFFLER GUARD
6	124385-3	1	HITCH
7	054502	4	NT .375-16HXG5
8	767954	4	FW 0.379X.82X.06 HD ZN
9	377994	2	HEAT SHIELD, MMZ ROLLER
10	604352	1	DECAL, H LOGO

Comments for Page: Engine Guard, Vanguard - S/N 15090000 to 16117976

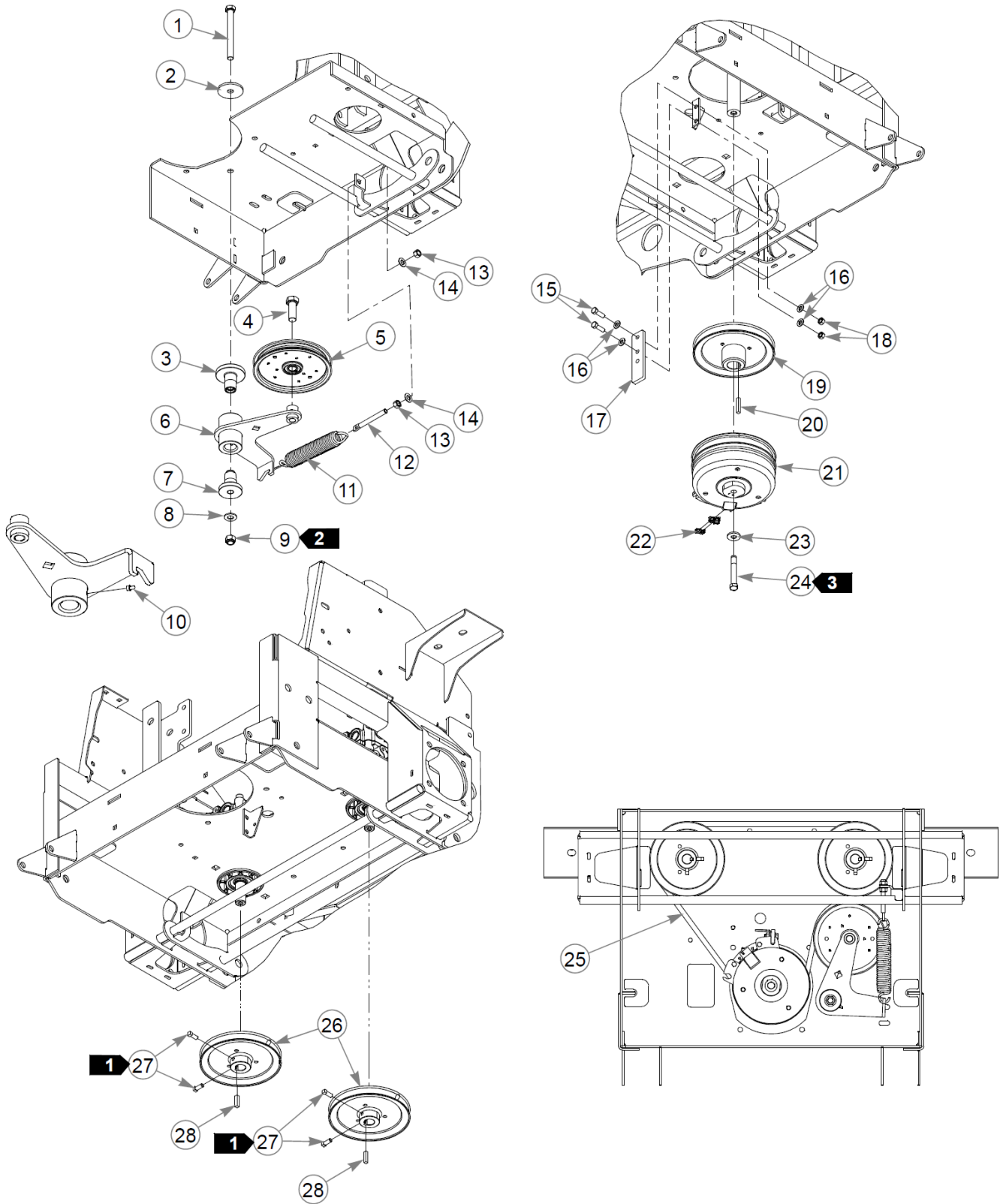
1. Part of the Wheel & Tire Assembly.



Item	Part No.	Qty	Name
1	117209	1	ENGINE GUARD
2	025395	4	CB .375-16X 1.00 G5 ZN
3	705954	4	CS .500-13X1.25 HX G5 ZN
4	767962	4	FW .531 x 1.063 x .175
5	115905	1	HITCH
6	054502	4	NT .375-16HXG5
7	767954	4	FW 0.379X.82X.06 HD ZN
8	377994	1	HEAT SHIELD, MMZ ROLLER
9	604352	1	DECAL, H LOGO

Comments for Page: Engine Guard, Vanguard - S/N Prior to 15090000

1. Part of the Wheel & Tire Assembly.



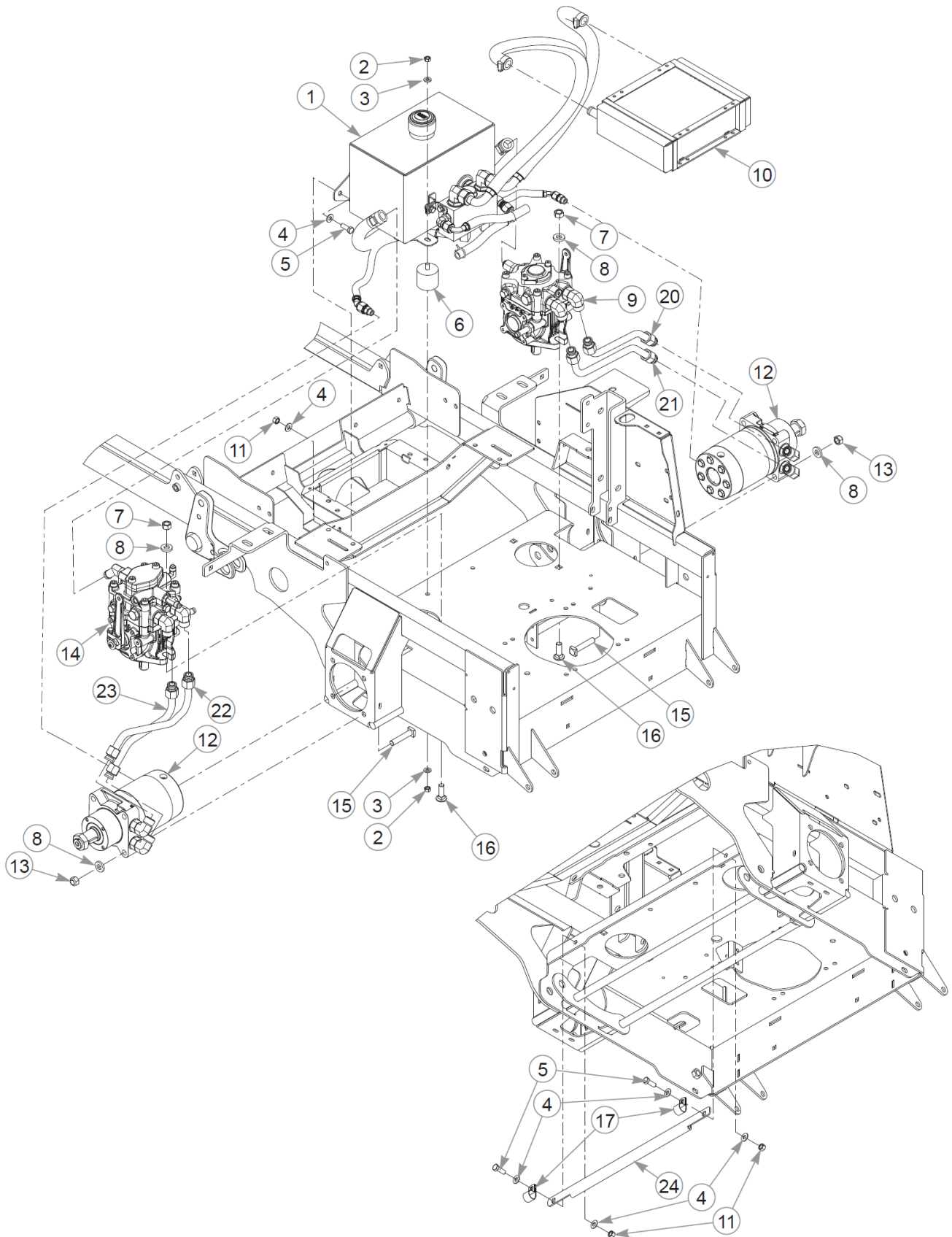
Item	Part No.	Qty	Name
1	051151	1	CS .500-13X5.000HXG5
2	344267	1	FW .510X2.15X.19 ZN
3	602880	1	BUSHING, IDLER PIVOT
4	025007	1	CS .62511X1.750HXG5
5	603783	1	PULLEY, 6" FLAT IDLER
6	115536	1	S/C TO 608005
Not Shown	608005	1	TENSIONER CAST
7	602879	1	BUSHING, IDLER PIVOT
8	767962	1	FW .531 x 1.063 x .175
9	781567	1	NT .500-13NLG5
10	015495	1	GREASE FITTING STRAIGHT
11	601016	1	IDLER SPRING
12	601486	1	EB, .375-16X3.00 FULTHD
13	054502	2	NT .375-16HXG5
14	767954	2	FW 0.379X.82X.06 HD ZN
15	036236	2	CS .312-18X1.000HXG5
16	768523	4	FW 0.343SAE
17	113347	1	CLUTCH ANCHOR
18	034272	2	NT .312-18HXG5
19	602755	1	PULLEY 7.35 OPx1.125SHFT
20	212076	1	KEY 1/4 SQ X 1.50 LG(FS)
21	606936K	1	CLUTCH KIT, CMS250
22	791251	1	HARNES, CLUTCH PIGTAIL
<p>Comments for Part Num. 791251</p> <p>Pigtail was updated with epoxy to hold the wires steady. The wire sheath was also updated to a more flexible material.</p>			
23	602680	1	FW .453X1.12X.12 HRD ZN
24	785048	1	CS .437-20X3.00 HXG5 P85
25	603904	1	DRIVE BELT
26	602754	2	PULLEY 7.35 OPx0.875SHFT
27	083196	4	SS .312-18X0.750SQ
28	210146	2	KEY 1/4 SQ X 1.12 LONG

Comments for Page: Pump Drive, Drive Belt & Clutch

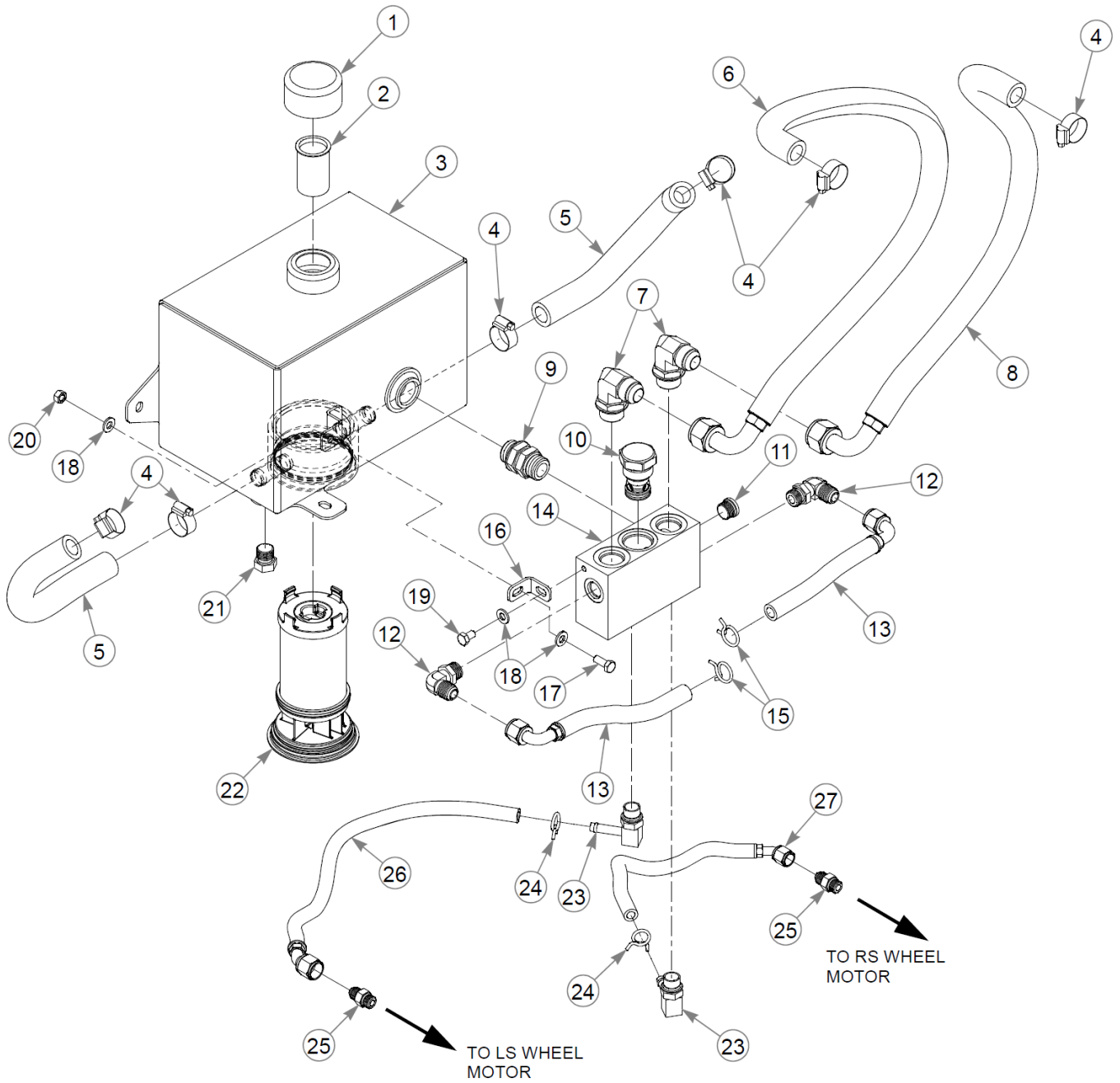
1. Torque to 12–15 ft-lbs.

2. Torque to 71–75 ft-lbs. The tensioner should pivot freely.
3. Torque to 45–48 ft-lbs. Replace (do not reuse) the cap screw if it is removed or loosened. Use only hand tools to install this fastener.

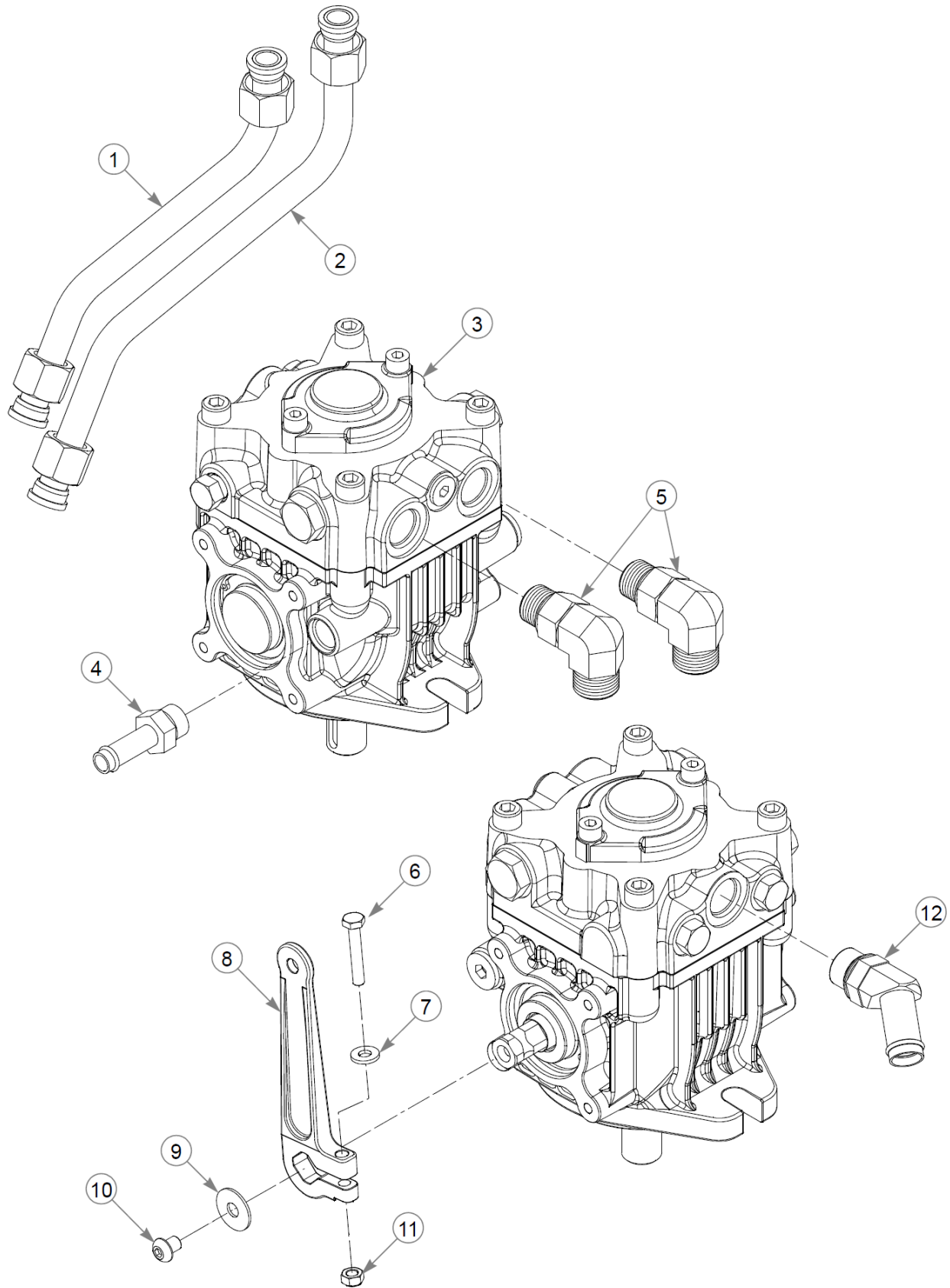
This page intentionally left blank



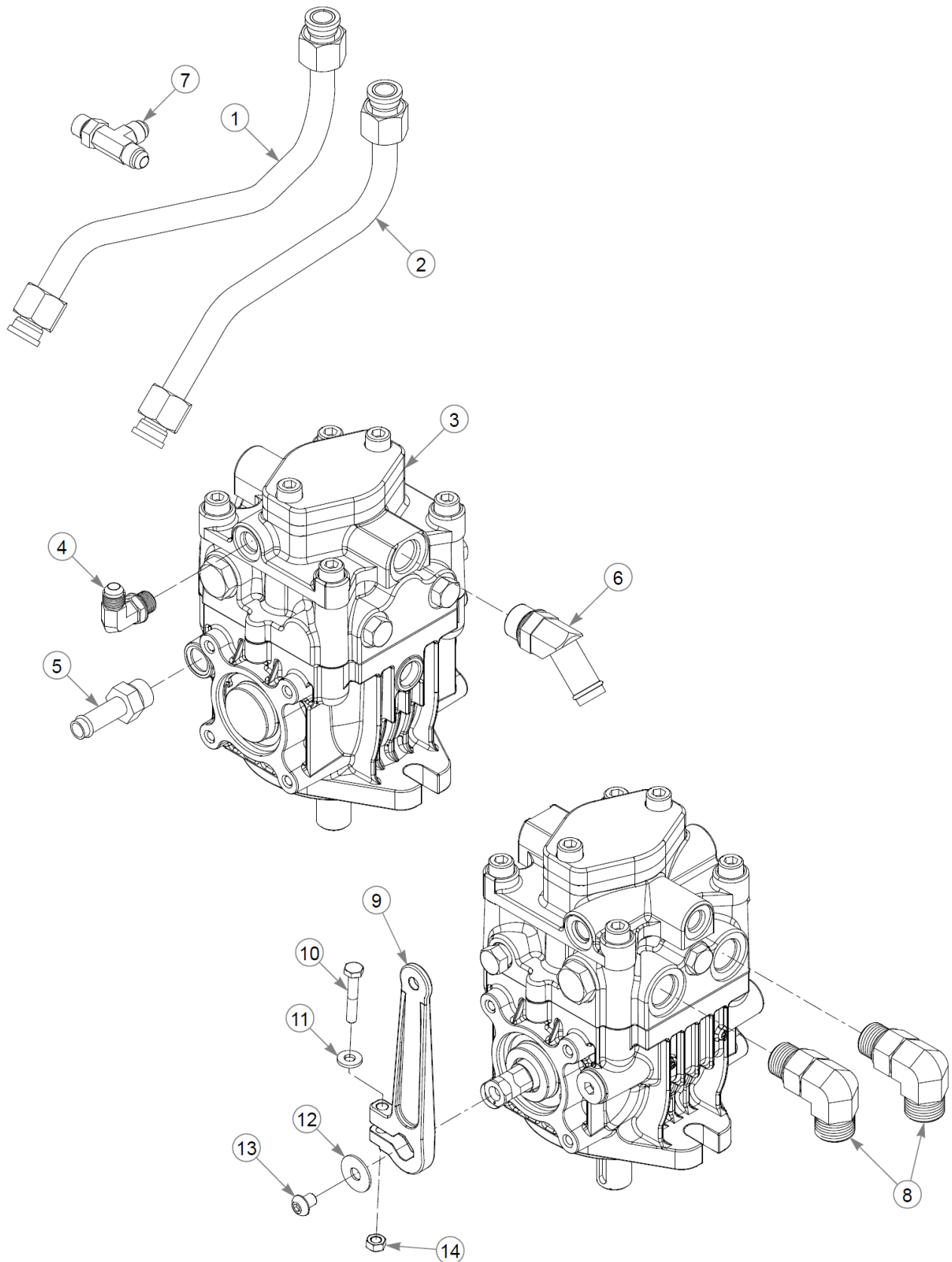
Item	Part No.	Qty	Name
1	N/A	1	RESERVOIR, HYD S/A
2	034272	2	NT .312-18HXG5
3	768523	2	FW 0.343SAE
4	767954	8	FW 0.379X.82X.06 HD ZN
5	036244	4	CS .375-16X1.00 HX G5 ZN
6	604320	1	VIBRATION MOUNT
7	008193	4	NT .500-13HXG5
8	767962	12	FW .531 x 1.063 x .175
9	N/A	1	PUMP S/A, RIGHT
10	602709	1	OIL COOLER, HYD 8" FAN
11	054502	4	NT .375-16HXG5
12	N/A	2	MOTOR S/A
13	023317	8	NT .500-13UNTG8
14	N/A	1	PUMP S/A, LEFT
15	602256	8	CS .500-13X2.500 SQ G5
16	028274	4	CB .500-13X 1.500 FULL
17	043570	2	CLIP - HOSE - SINGLE(FS)
18	603043	1	HOSE, L MOTOR CASE DRAIN
19	603044	1	HOSE, R MOTOR CASE DRAIN
20	602876	1	TUBE, RP-TM RH LOOP
21	602875	1	TUBE, LP-BM RH LOOP
22	602874	1	TUBE, RP-TM LH LOOP
23	602873	1	TUBE, LP-BM LH LOOP
24	119384	1	BELT GUIDE
25	000331	1	WIRE TIE, SMALL/SHORT



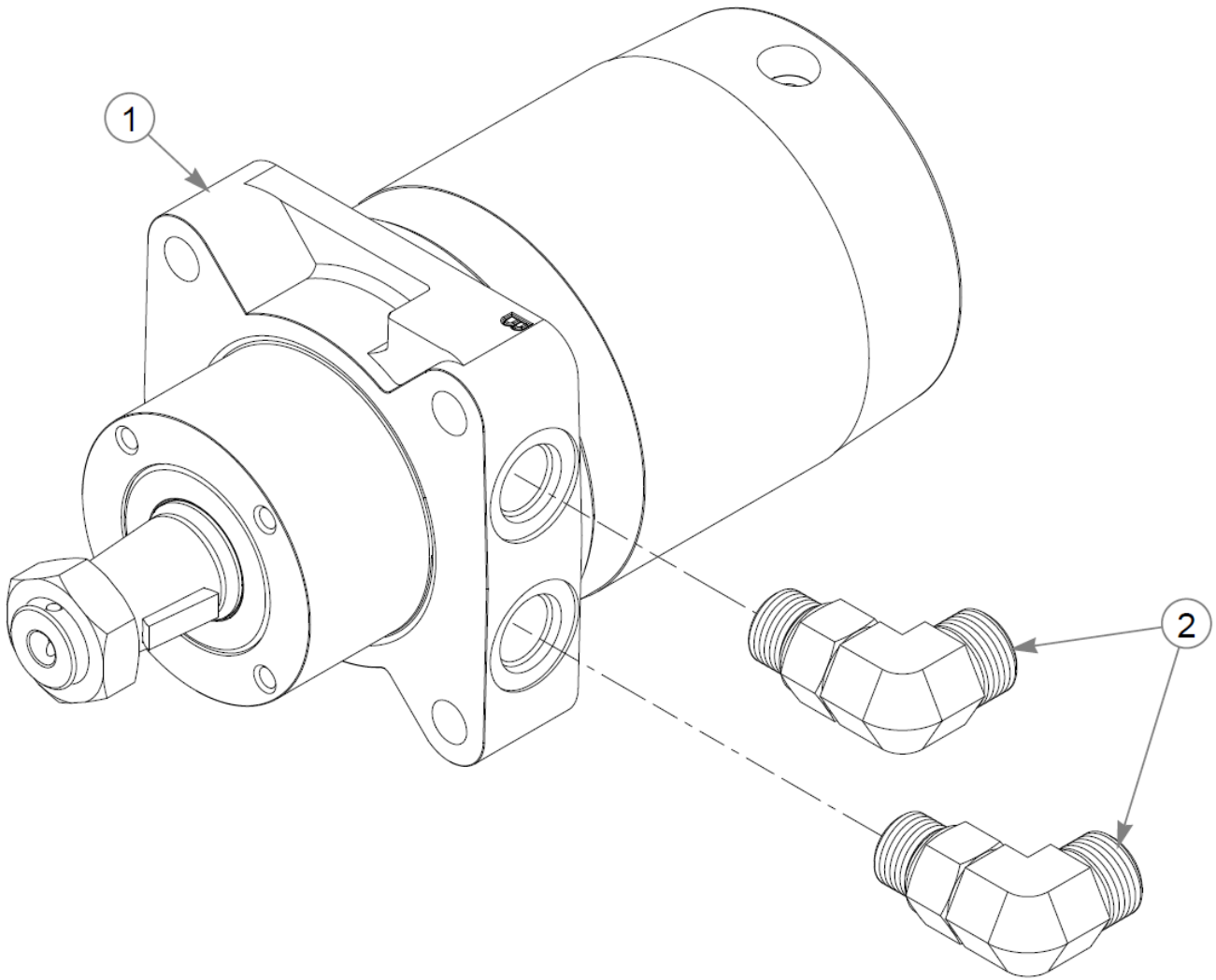
Item	Part No.	Qty	Name
1	032763	1	CAP, BREATHER
2	032771	1	STRAINER
3	606173	1	RESERVOIR, HYDRAULIC
4	700484	6	CLAMP, HOSE (FS)
5	603045	2	HOSE, PUMP SUCTION
6	603046	1	HOSE, TO COOLER
7	603189	2	FTG,-12MORB/-12MJIC 90°
8	603047	1	HOSE, FROM COOLER
9	603039	1	FTG, -12MORB/-12MORB STR
10	603053	1	CHECK VALVE
11	603123	1	FTG,-8MORB HEX PLUG
12	771311	2	FTG, -8MORB/-8MJIC, 90°
13	603042	2	HOSE, PUMP CASE DRAIN
14	603000	1	MANIFOLD, CASE DRAIN
15	601001	2	SPRING CLAMP, .75" DIA
16	113623	1	SUPPORT BRACKET
17	034280	1	CS .312-18X0.750HXG5
18	768523	3	FW 0.343SAE
19	068346	1	CS .312-18X0.500HXG5
20	034272	1	NT .312-18HXG5
21	781658	1	FTG, -8MORB/HEX PLUG
22	602768X	1	HYDRAULIC OIL FILTER
23	603190	2	FTG,-8MORB/-6BT 90°
24	601617	2	SPRING CLAMP, 5/8" DIA.
25	779132	2	FTG, -6MORB/-6MJIC STR
26	603043	1	HOSE, L MOTOR CASE DRAIN
27	603044	1	HOSE, R MOTOR CASE DRAIN



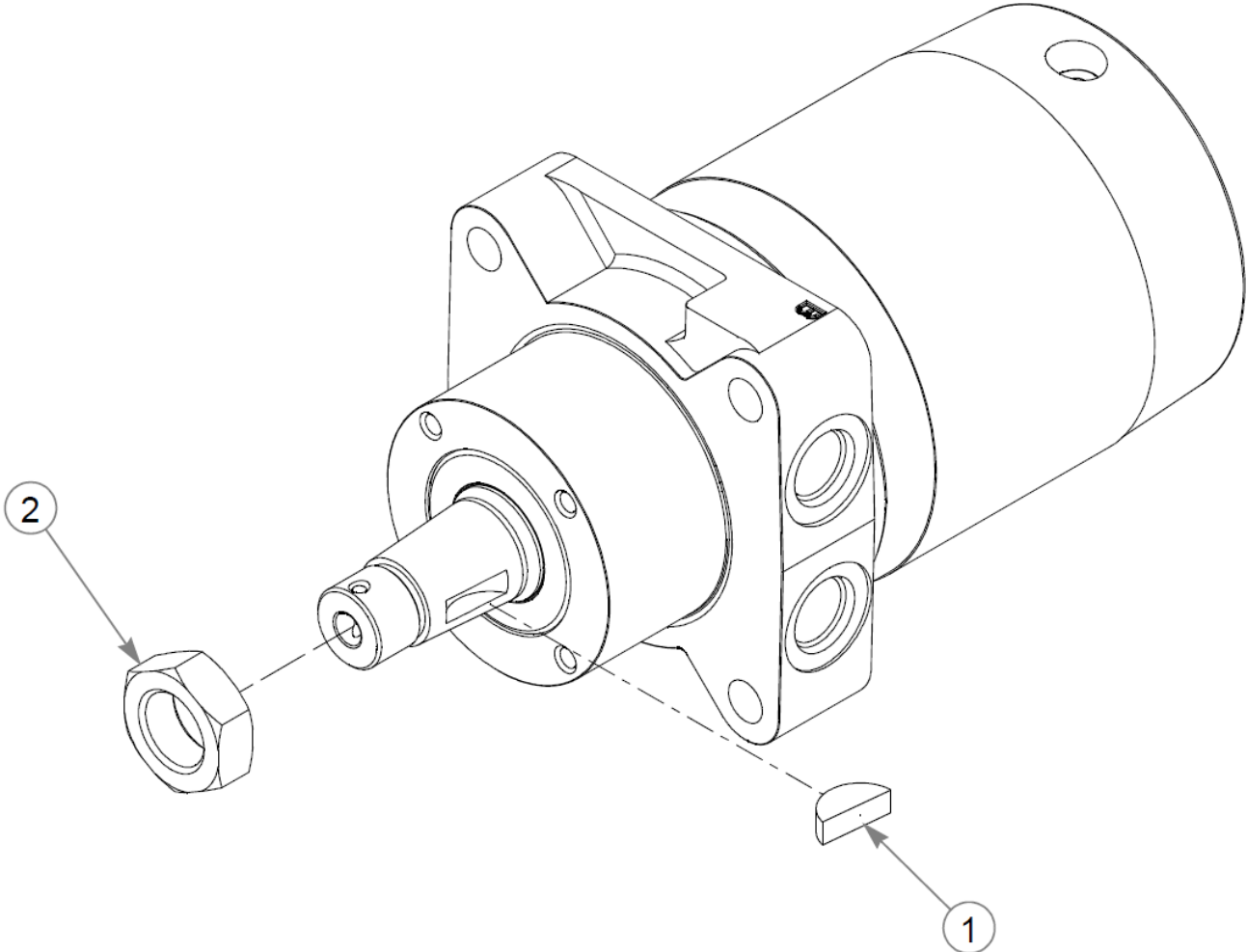
Item	Part No.	Qty	Name
1	602876	1	TUBE, RP-TM RH LOOP
2	602875	1	TUBE, LP-BM RH LOOP
3	602964	1	PUMP, DANFOSS DDC20 - HH
4	601523	1	FTG, -8MORB/-8BT STR
5	602443	2	FTG,-10MORB/-10MORFS 90°
6	008581	1	CS .250-20X1.500HXG5
7	768515	1	FW 0.281SAE
8	602732	1	PUMP ARM , SUPER Z
9	079210	1	FW 0.344X1.0X0.06 ZN
10	603272	1	CS M8-1.25x10 G10.9 SHBH
11	068551	1	NT .250-20 HXZY NL
12	774968	1	FTG, -10MORB/-12BT 45°
13	603362	1	SEAL KIT, DANFOSS DDC20



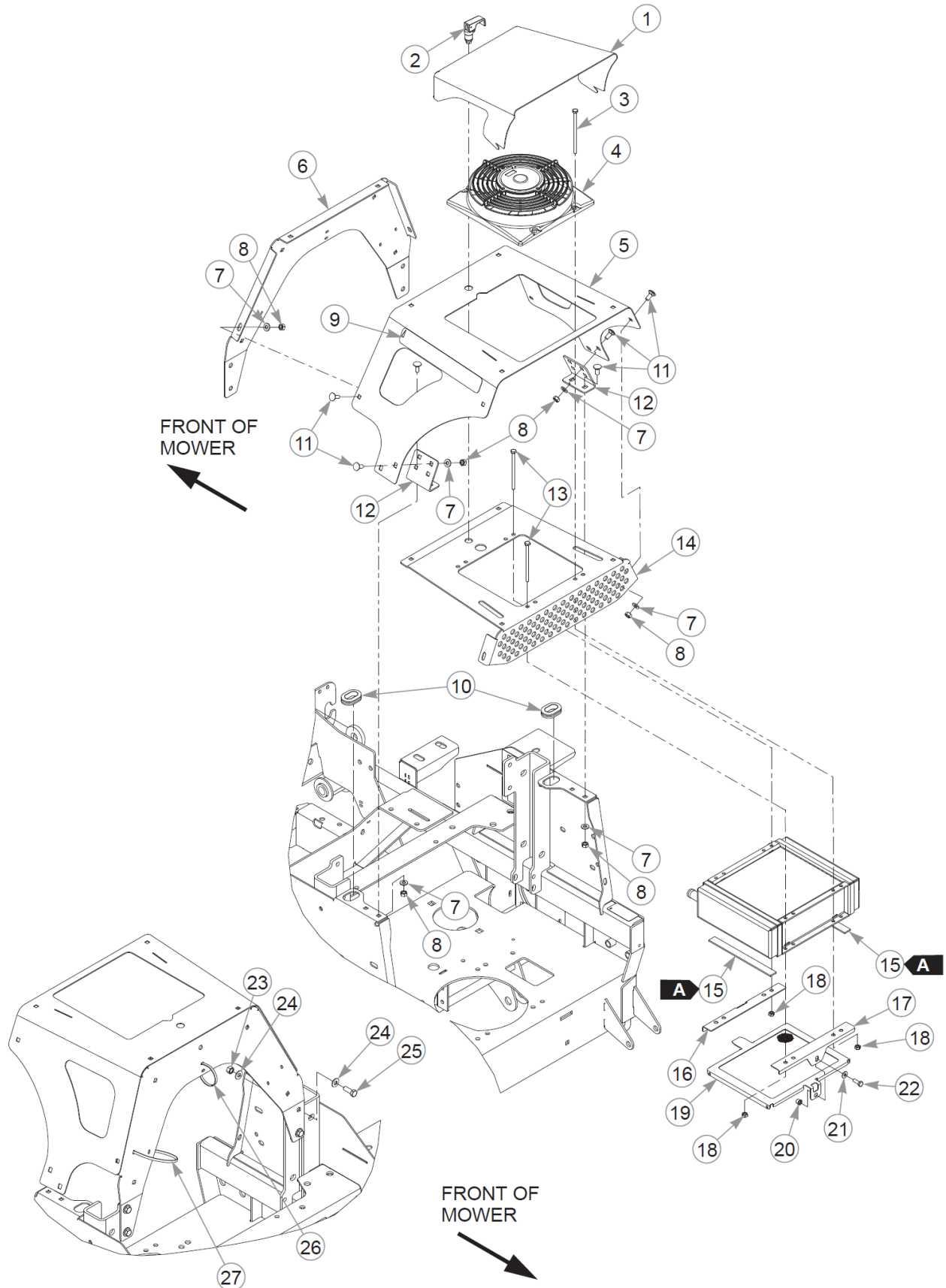
Item	Part No.	Qty	Name
1	602874	1	TUBE, RP-TM LH LOOP
2	602873	1	TUBE, LP-BM LH LOOP
3	603895	1	PUMP, DDC20 W/ IMP - HH
<p>Comments for Part Num. 603895</p> <p>***IMPORTANT*** To receive warranty coverage, when replacing 603895 (LS PUMP) it is required that 122756 FILTER FLUSH KIT be used during replacement.</p>			
4	795922	1	FTG, 90-6MORB/-6MJI
5	601523	1	FTG, -8MORB/-8BT STR
6	774968	1	FTG, -10MORB/-12BT 45°
7	763953	1	FTG T,-6 O-RING/-6J
8	602443	2	FTG,-10MORB/-10MORFS 90°
9	602732	1	PUMP ARM , SUPER Z
10	008581	1	CS .250-20X1.500HXG5
11	768515	1	FW 0.281SAE
12	079210	1	FW 0.344X1.0X0.06 ZN
13	603272	1	CS M8-1.25x10 G10.9 SHBH
14	068551	1	NT .250-20 HXZY NL



Item	Part No.	Qty	Name
1	603898	1	MOTOR, TG0360 - HH
2	602443	2	FTG,-10MORB/-10MORFS 90°



Item	Part No.	Qty	Name
1	064337	1	ROSS WOODRUFF KEY
2	065516	1	ROSS NUT
3	748806	1	ROSS VITON SEAL KIT

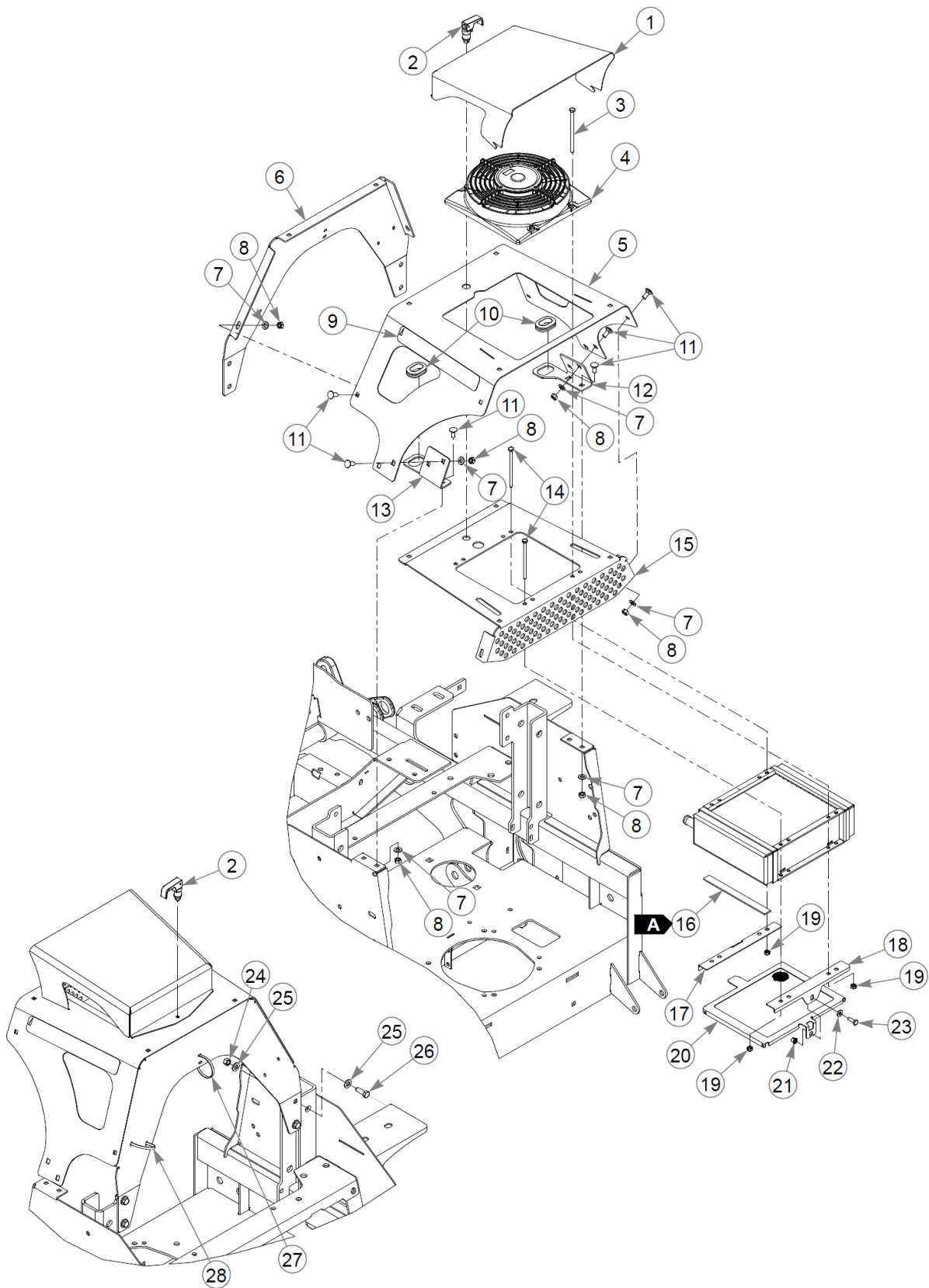


Item	Part No.	Qty	Name
1	114038	1	AIR SCOOP, OIL COOLER
2	791384	1	LATCH, HEAVY DUTY SWELL
3	603229	4	CS .250-20X4.500 HX G5
4	603066	1	FAN, 9" 12V
5	550860	1	SVC PART, HOOD SZ
6	114040	1	FIREWALL, COOLER MNT
7	768523	16	FW 0.343SAE
8	034272	16	NT .312-18HXG5
9	603290	2	DECAL, HYPERDRIVE
10	706531	2	GM 1.12X1.75X1.37X.12
11	016253	16	CB .312-18X .750 FUL ZN
12	117725	2	BRACKET, COOLER MOUNT
13	603228	2	CS .250-20X4.000 HX G5
14	114039	1	MOUNT, UPPER COOLER
15	033035	15.5"	WEATHERSTRIP .12X.75
16	124390-3	1	BRACKET, SCRNM MNT FNT
17	124389-3	1	BRACKET, SCRNM MNT RR
18	068551	6	NT .250-20 HXZY NL
19	114165	1	SCREEN ASSY SZ COOLER
20	808477	1	RIVET NUT, 1/4-20 THREA
21	768515	1	FW 0.281SAE
22	055939	1	CS .250-20X0.75 HX G5 ZN
23	054502	4	NT .375-16HXG5
24	767954	8	FW 0.379X.82X.06 HD ZN
25	036244	4	CS .375-16X1.00 HX G5 ZN
26	000331	1	WIRE TIE, SMALL/SHORT
27	000430	2	WIRE TIE, SMALL/LONG

Comments for Page: Oil Cooler Mount—S/N 16051477 & Higher

WEATHERSTRIP LENGTH

A: 7.75"

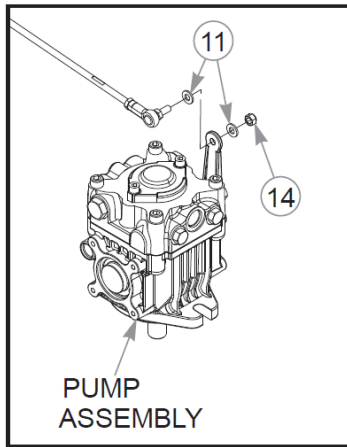
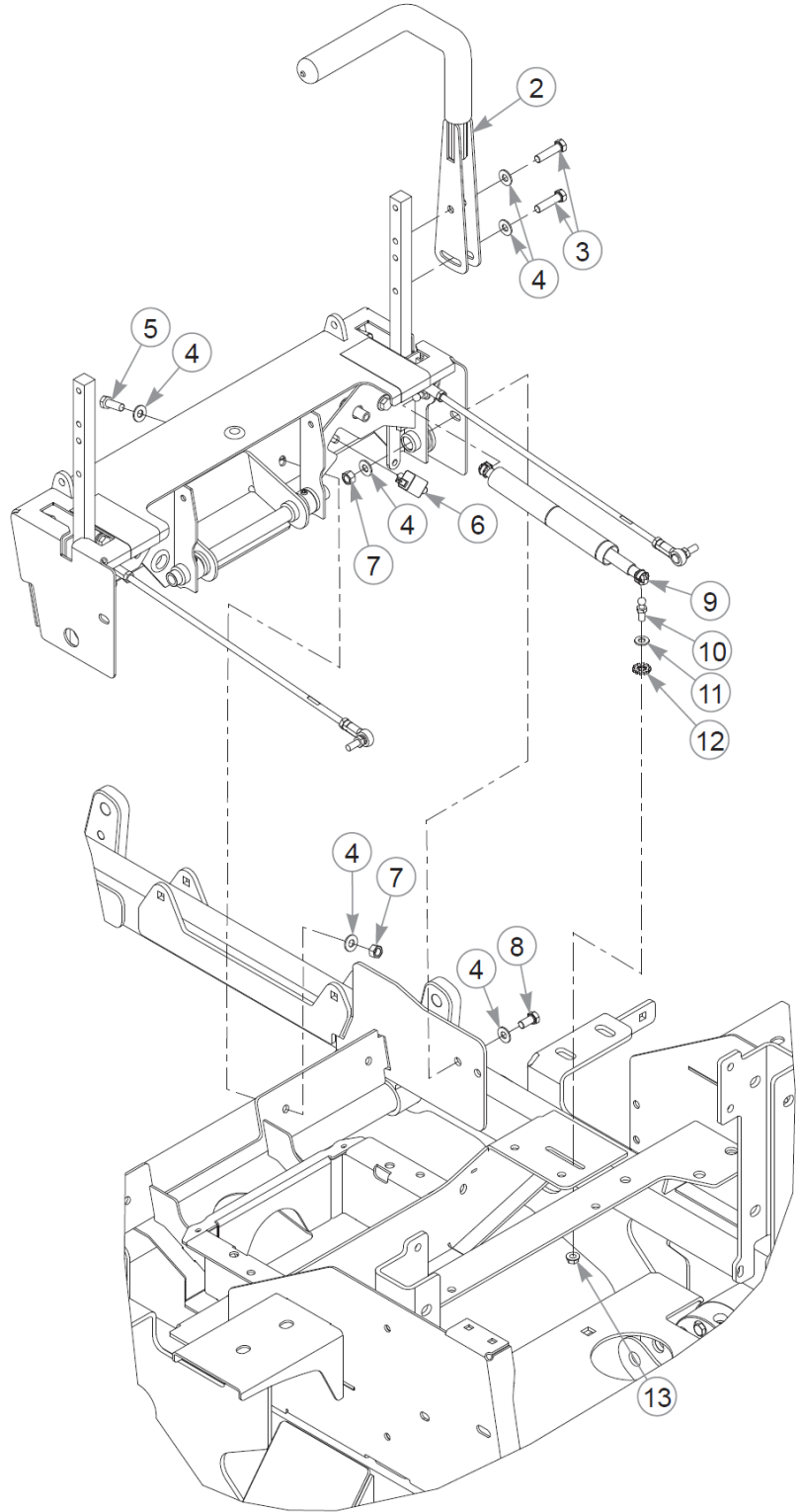
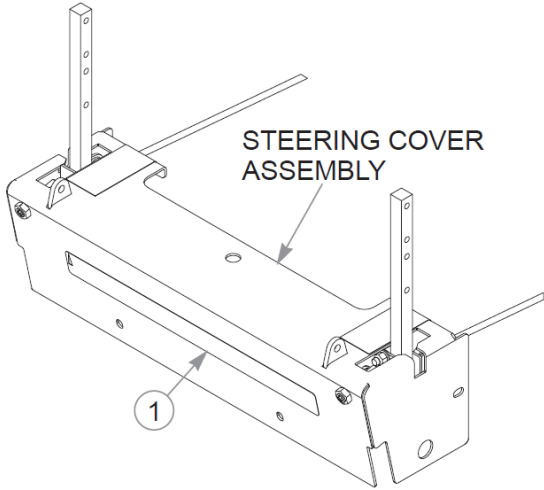


Item	Part No.	Qty	Name
1	114038	1	AIR SCOOP, OIL COOLER
2	791384	1	LATCH, HEAVY DUTY SWELL
3	603229	4	CS .250-20X4.500 HX G5
4	603066	1	FAN, 9" 12V
5	550860	1	SVC PART, HOOD SZ
6	114040	1	FIREWALL, COOLER MNT
7	768523	16	FW 0.343SAE
8	034272	16	NT .312-18HXG5
9	603290	2	DECAL, HYPERDRIVE
10	706531	2	GM 1.12X1.75X1.37X.12
11	016253	16	CB .312-18X .750 FUL ZN
12	117408	1	COVER MOUNT, RS
13	117409	1	COVER MOUNT, LS
14	603228	2	CS .250-20X4.000 HX G5
15	114039	1	MOUNT, UPPER COOLER
16	033035	15.5	WEATHERSTRIP .12X.75
17	114141	1	BRACKET, SCRNMNT FNT
18	114142	1	BRACKET, SCRNMNT RR
19	068551	6	NT .250-20 HXZY NL
20	114165	1	SCREEN ASSY SZ COOLER
21	808477	1	RIVET NUT, 1/4-20 THREA
22	768515	1	FW 0.281SAE
23	055939	1	CS .250-20X0.75 HX G5 ZN
24	054502	4	NT .375-16HXG5
25	767954	8	FW 0.379X.82X.06 HD ZN
26	036244	4	CS .375-16X1.00 HX G5 ZN
27	000331	1	WIRE TIE, SMALL/SHORT
28	000430	2	WIRE TIE, SMALL/LONG

Comments for Page: Oil Cooler Mount—S/N Prior to 16051477

WEATHERSTRIP LENGTH

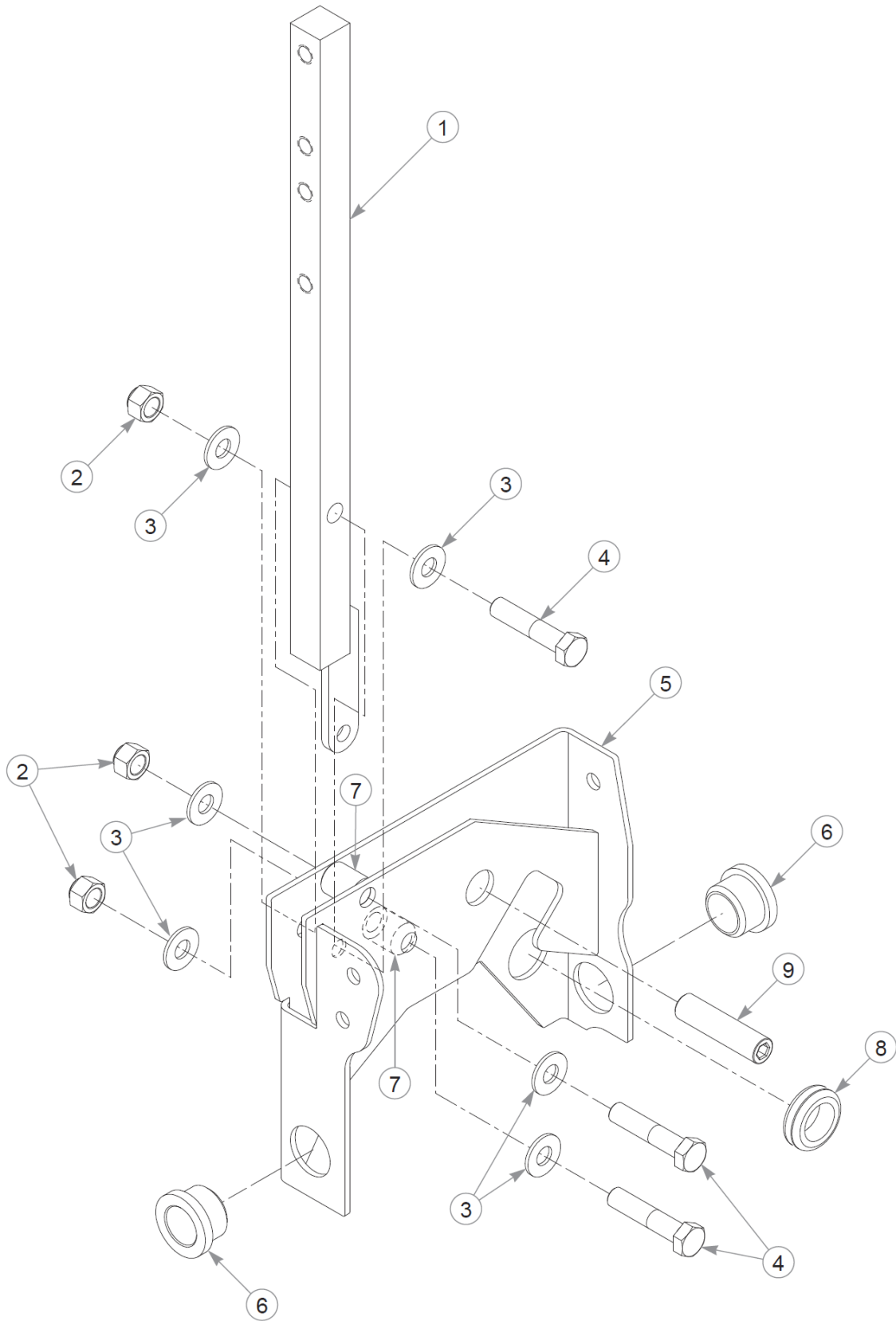
A: 7.75"



Item	Part No.	Qty	Name
1	605672	1	DECAL, SUPER 104 ID
2	604339	2	W/A, STEERING ARM
Not Shown	781260	2	GRIP, STEERING BAR
3	036244	4	CS .375-16X1.00 HX G5 ZN
4	767954	16	FW 0.379X.82X.06 HD ZN
5	036244	4	CS .375-16X1.00 HX G5 ZN
6	601087	2	SWITCH, PLUNGER N.O.
7	054502	8	NT .375-16HXG5
8	055822	2	CS .375-16X0.75 HX G5 ZN
9	603192	2	DAMPER, STEERING
10	781922	2	BALL STUD
11	768523	4	FW 0.343SAE
12	029876	2	LW .312 INTEXT ZN
13	016832	2	NT .312-18FLKG5
14	023655	2	NT 0.312-24 NL G8

Comments for Page: Steering

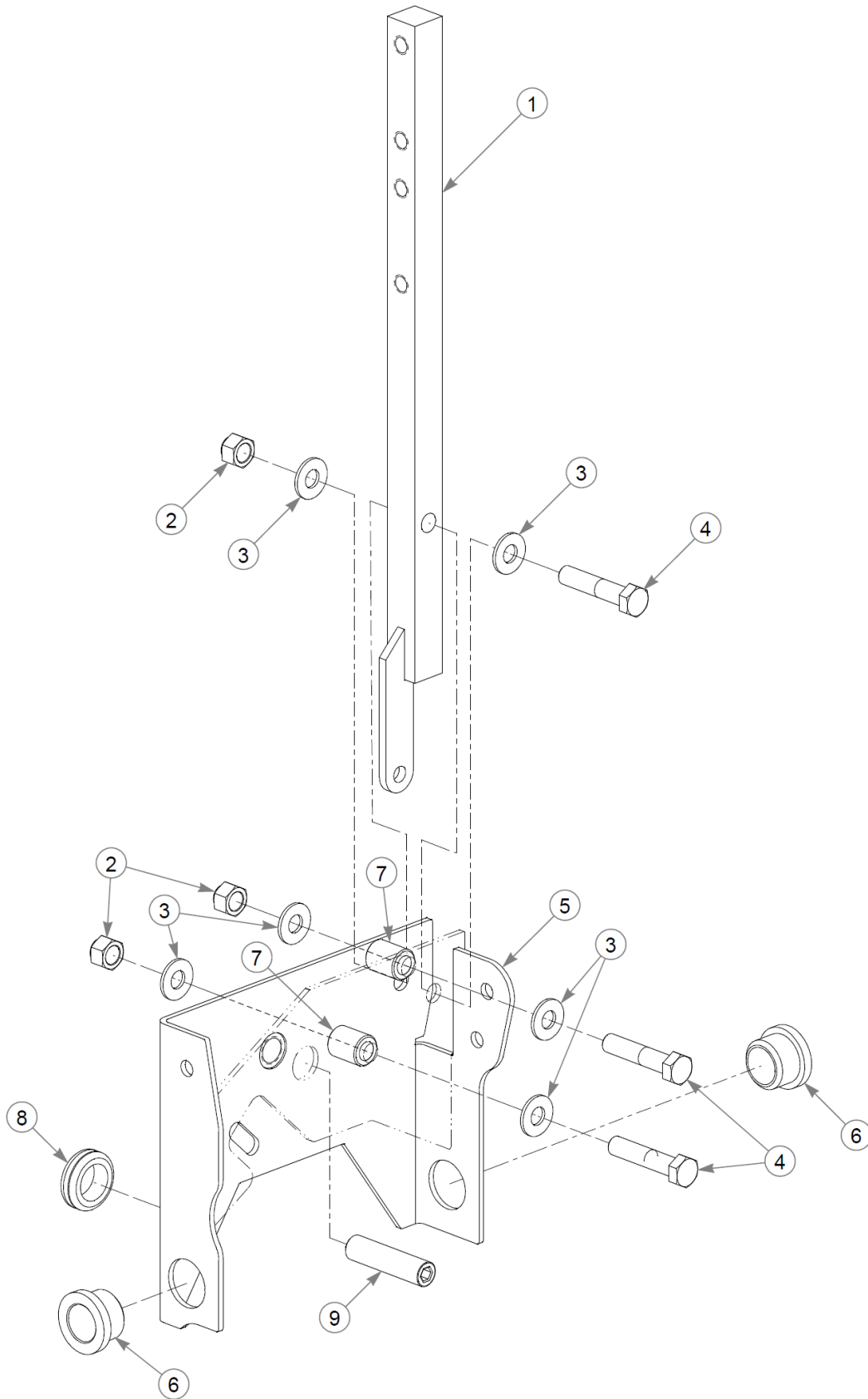
1. The steering arm includes the grip.



Item	Part No.	Qty	Name
1	607152	1	STEERING ARM W/A
2	086660	3	NT .375-16NLG8
3	767954	6	FW 0.379X.82X.06 HD ZN
4	705178	3	CS .375-16X1.750HXG5
5	112899	1	STEERING BOX W/A LH
6	608000	2	BUSHING
7	348862	2	STEERLEVER BUSHING (PLA
8	047456	1	GM .750X.188X1.00X.12
9	797738	1	SS .500-13X2.000SH

Comments for Page: LS Steering Box Assembly

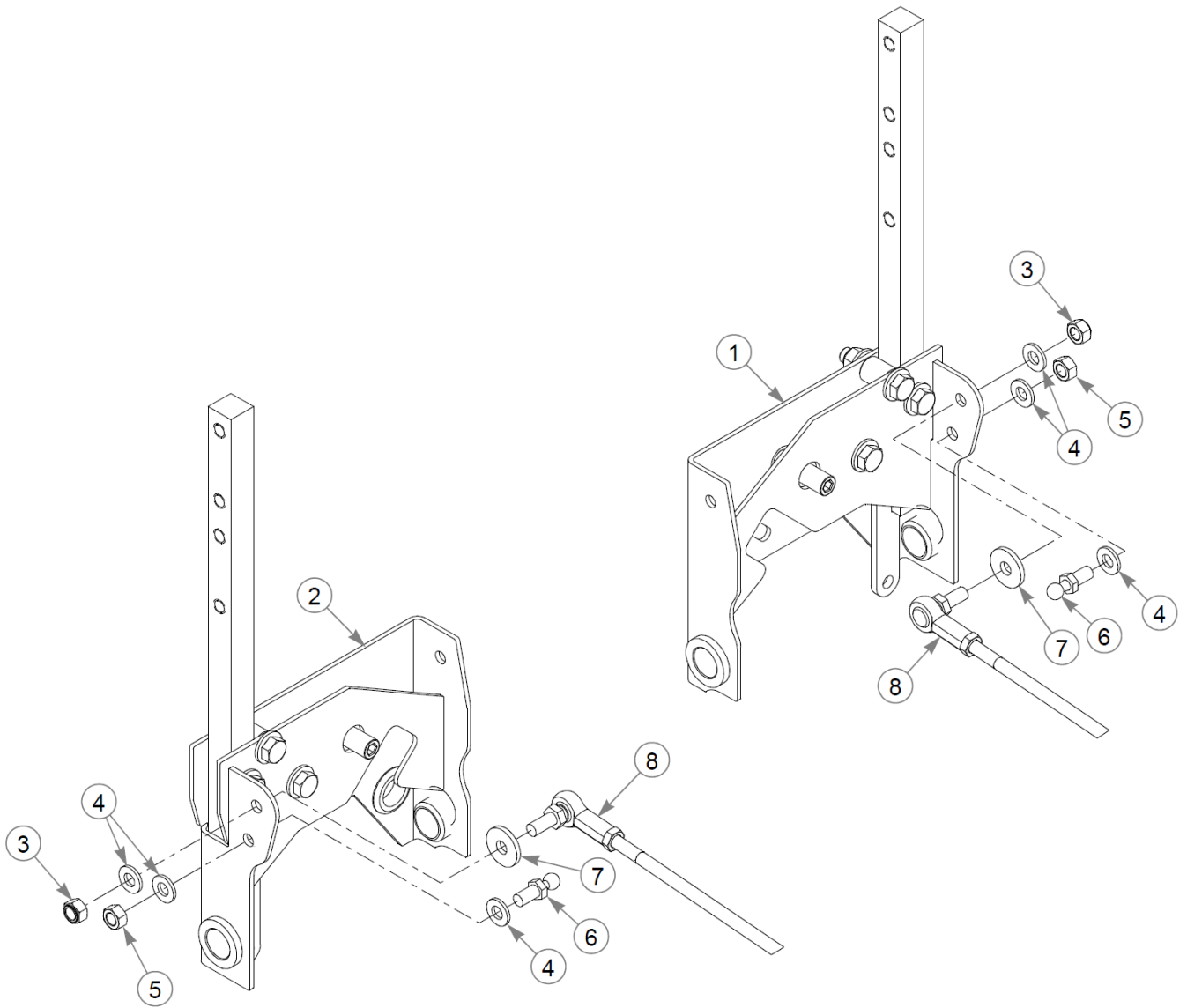
1. Torque all hardware to 33 ft-lbs ± 10%.



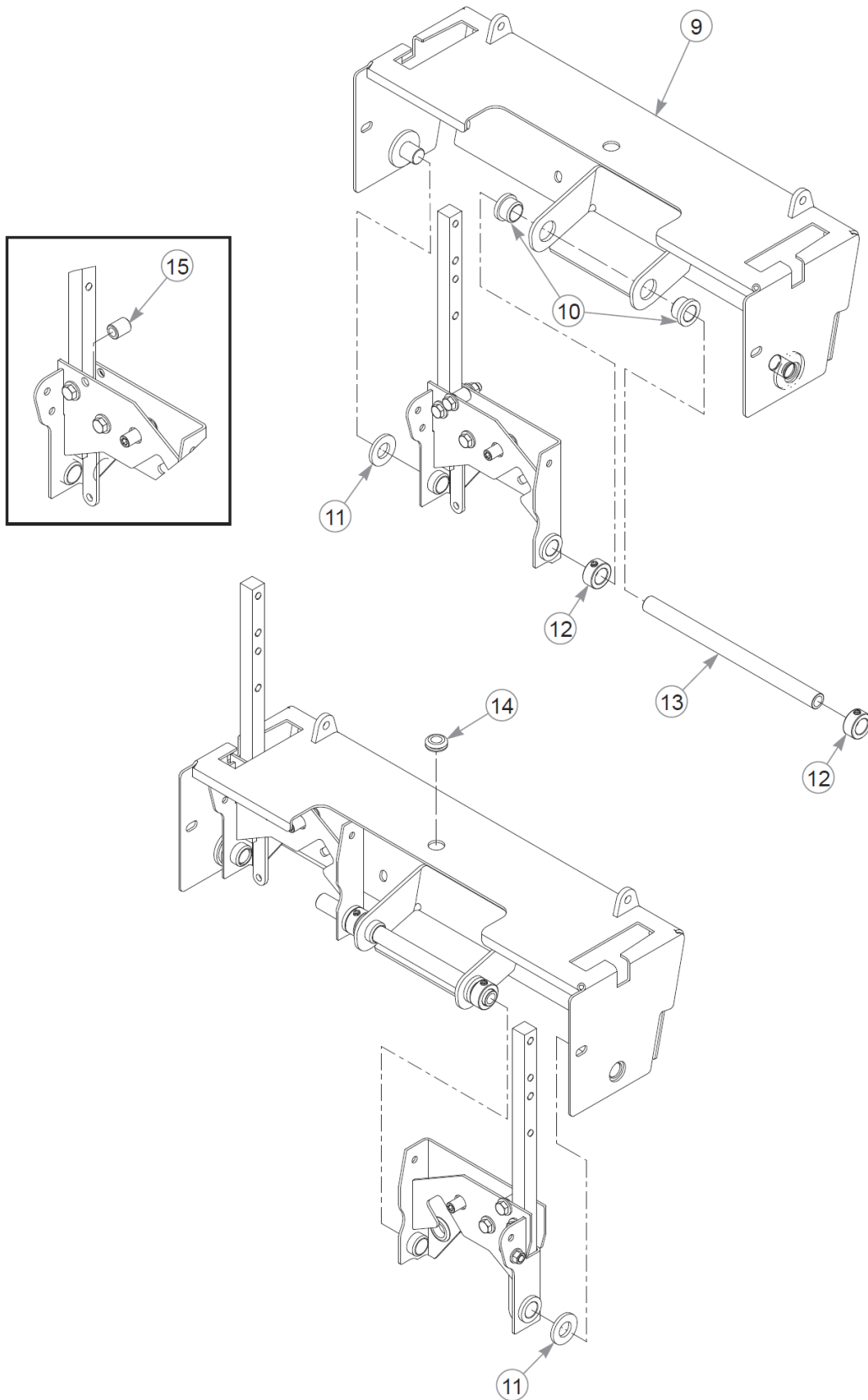
Item	Part No.	Qty	Name
1	607152	1	STEERING ARM W/A
2	086660	3	NT .375-16NLG8
3	767954	6	FW 0.379X.82X.06 HD ZN
4	705178	3	CS .375-16X1.750HXG5
5	112898	1	STEERING BOX W/A, RH
6	608000	2	BUSHING
7	348862	2	STEERLEVER BUSHING (PLA
8	047456	1	GM .750X.188X1.00X.12
9	797738	1	SS .500-13X2.000SH

Comments for Page: RS Steering Box Assembly

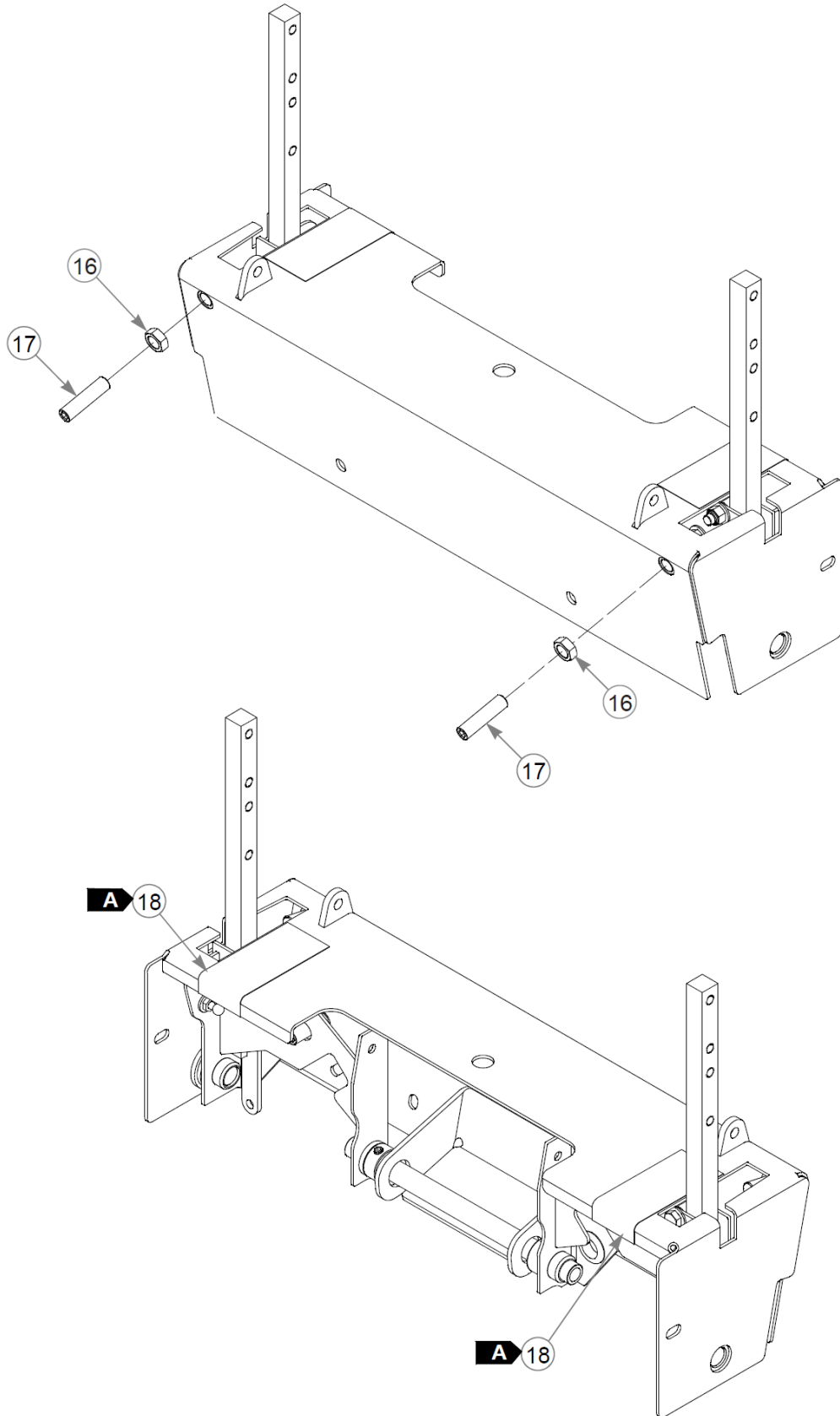
1. Torque all hardware to 33 ft-lbs ± 10%.



Item	Part No.	Qty	Name
1	604295	1	STEERING BOX SUB, RH
2	604296	1	STEERING BOX SUB, LH
3	023655	2	NT 0.312-24 NL G8
4	768523	6	FW 0.343SAE
5	034272	2	NT .312-18HXG5
6	781922	2	BALL STUD
7	712927	2	FW 0.344X1.00X.12 HD ZN
8	781286	2	PUMP ROD ADJUSTER ASSY



Item	Part No.	Qty	Name
9	551752	1	STEERING COVER, SERVICE
10	781153	2	BUSHING, UHMW
11	603078	2	FW .750X1.50X.16 ZN
12	784439	2	LOCK COLLAR,0.757 ID(FS)
13	113007	1	STEER PIVOT TUBE, SZ
14	080358	1	GM .50X1.00X.75X.12
15	348862	4	STEERLEVER BUSHING (PLA

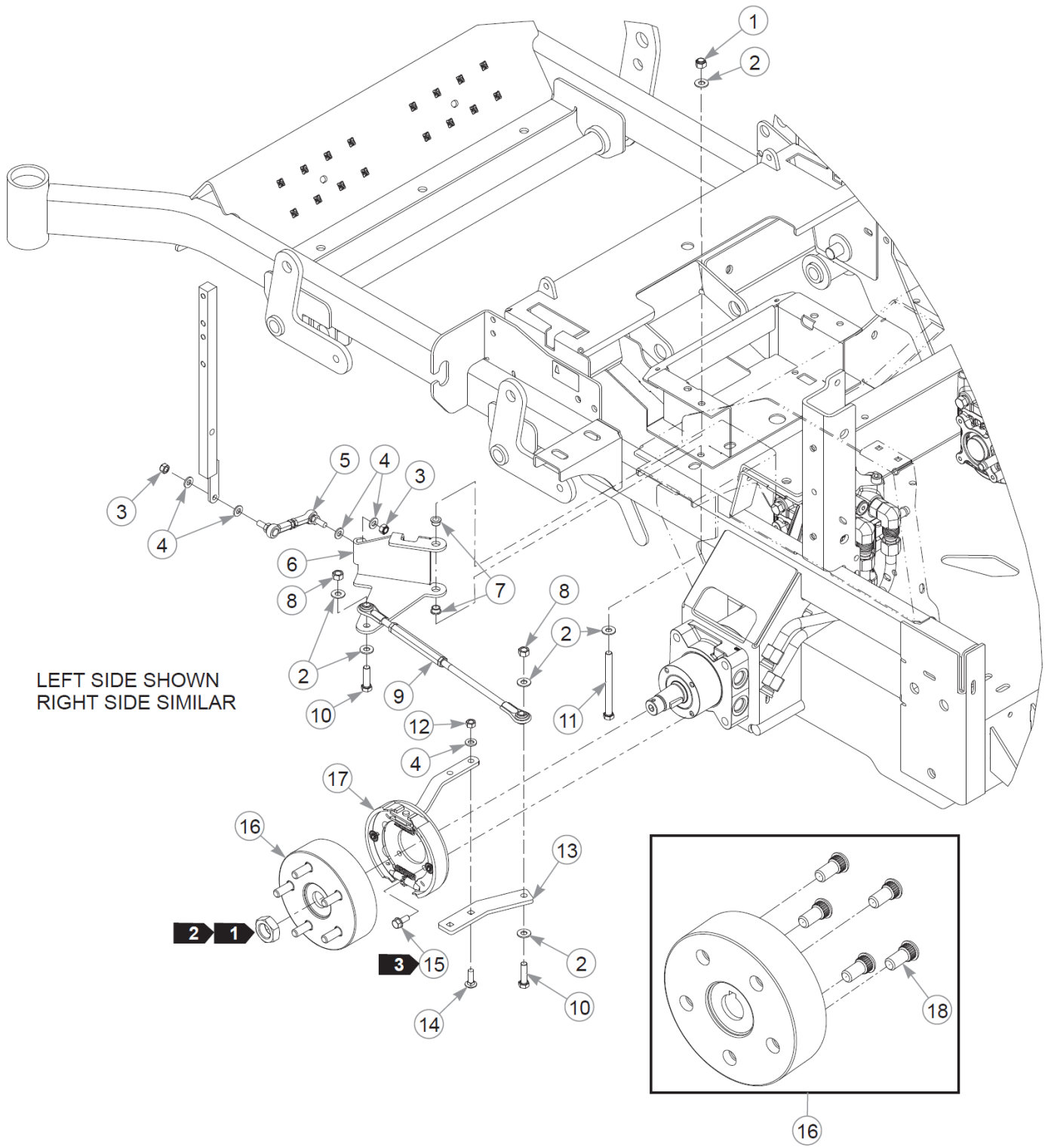


Item	Part No.	Qty	Name
16	053199	2	NT .500-13JAMG5
17	797738	2	SS .500-13X2.000SH
18	722199	11	POLYURETHANE 2" (FS)

Comments for Page: Steering Cover Assembly (P2 OF 2)

WEAR TAPE LENGTH

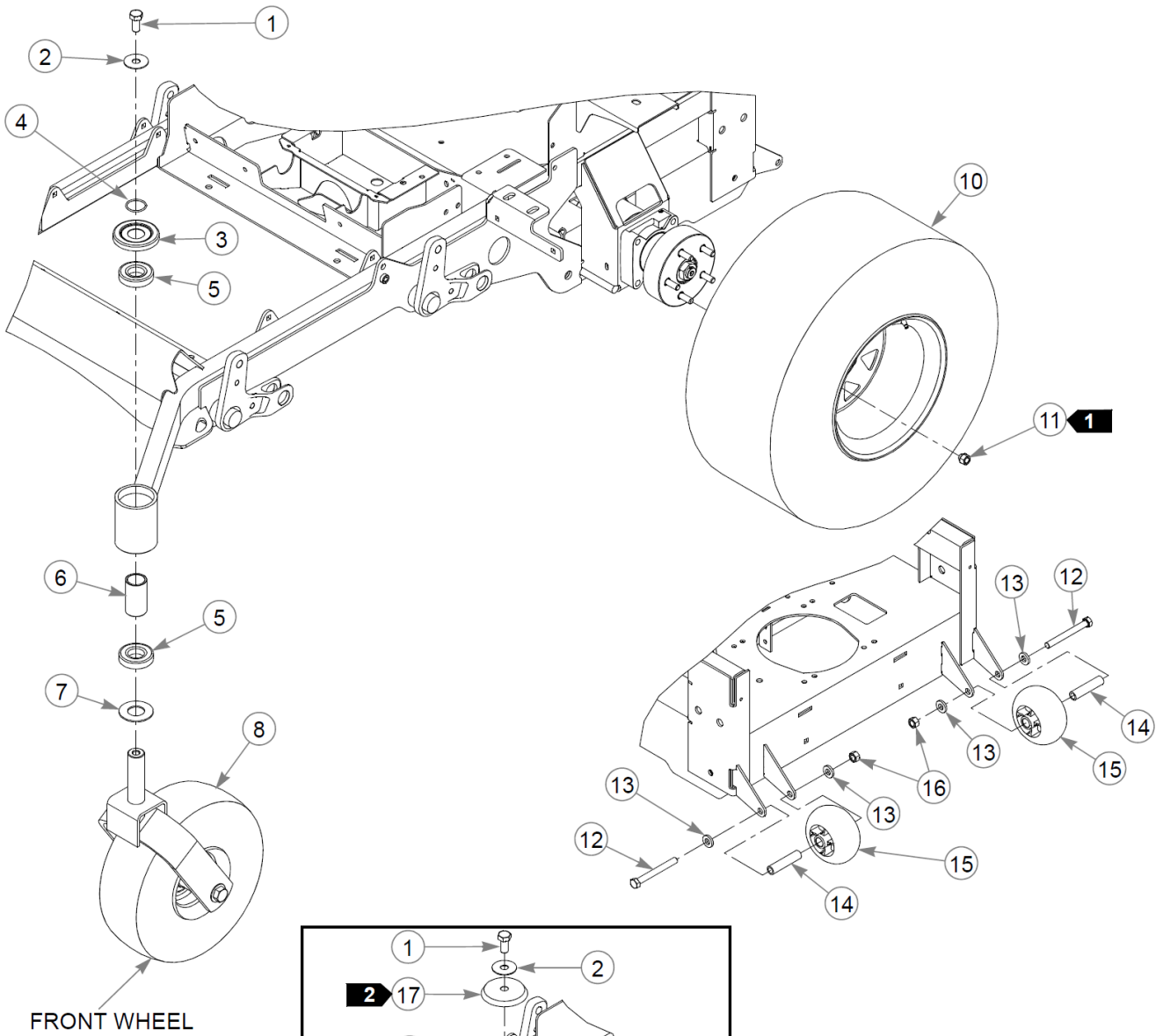
A: 5.5" +/- 0.3"



Item	Part No.	Qty	Name
1	086660	2	NT .375-16NLG8
2	767954	12	FW 0.379X.82X.06 HD ZN
3	023655	4	NT 0.312-24 NL G8
4	768523	12	FW 0.343SAE
5	781583	2	BRAKE ROD ASSEMBLY
6	112907	1	BRAKE BELLCRANK, SZ LS
Not Shown	112906	1	BRAKE BELLCRANK, SZ RS
7	765339	4	BUSHING,IGUS#0608 (FS)
8	054502	4	NT .375-16HXG5
9	350397	2	BRAKE LINK TURNBUCKLE A
10	005116	4	CS .375-16X1.38 HX G5 ZN
11	052514	2	CS .375-16X4.500HXG5
12	034272	4	NT .312-18HXG5
13	111309	2	BRAKE ARM,Z4
14	037887	4	CB .312-18X 1.000 FUL ZN
15	604461	8	CS .312-18X.75HXG8 FL
16	602384	2	HUB ASSY, PARKER
17	602383	2	BRAKE ASSY, PARKER
18	606124	5	STUD 1/2-20 X 1 1/2"

Comments for Page: Brake

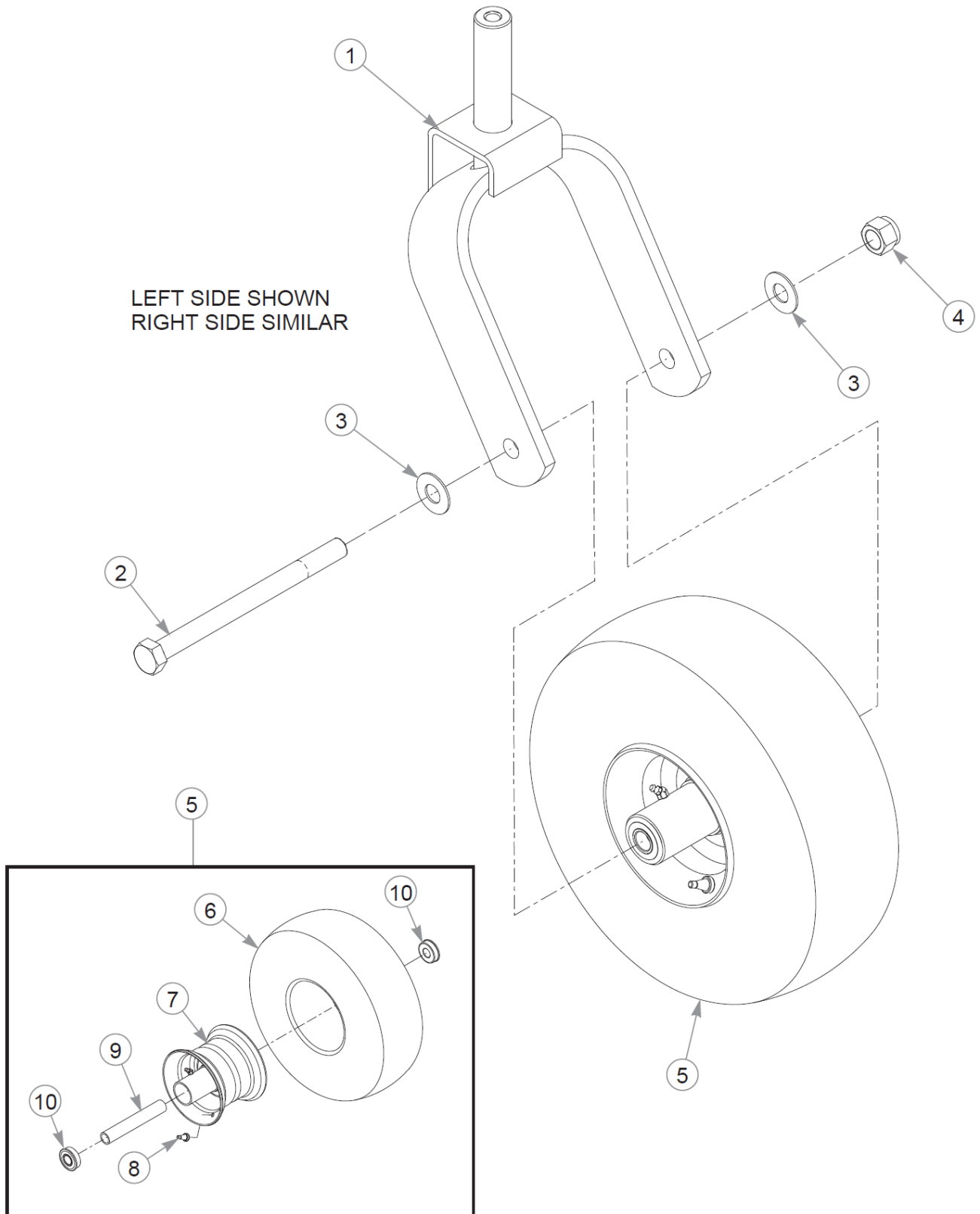
1. Included with wheel motor.
2. Torque to 220–240 ft-lbs.
3. Torque to 27 ft-lbs.
4. The hub assembly includes studs. 606124 is used on mowers S/N 12022691 & higher.
601085 is used on mowers S/N prior to 12022691.



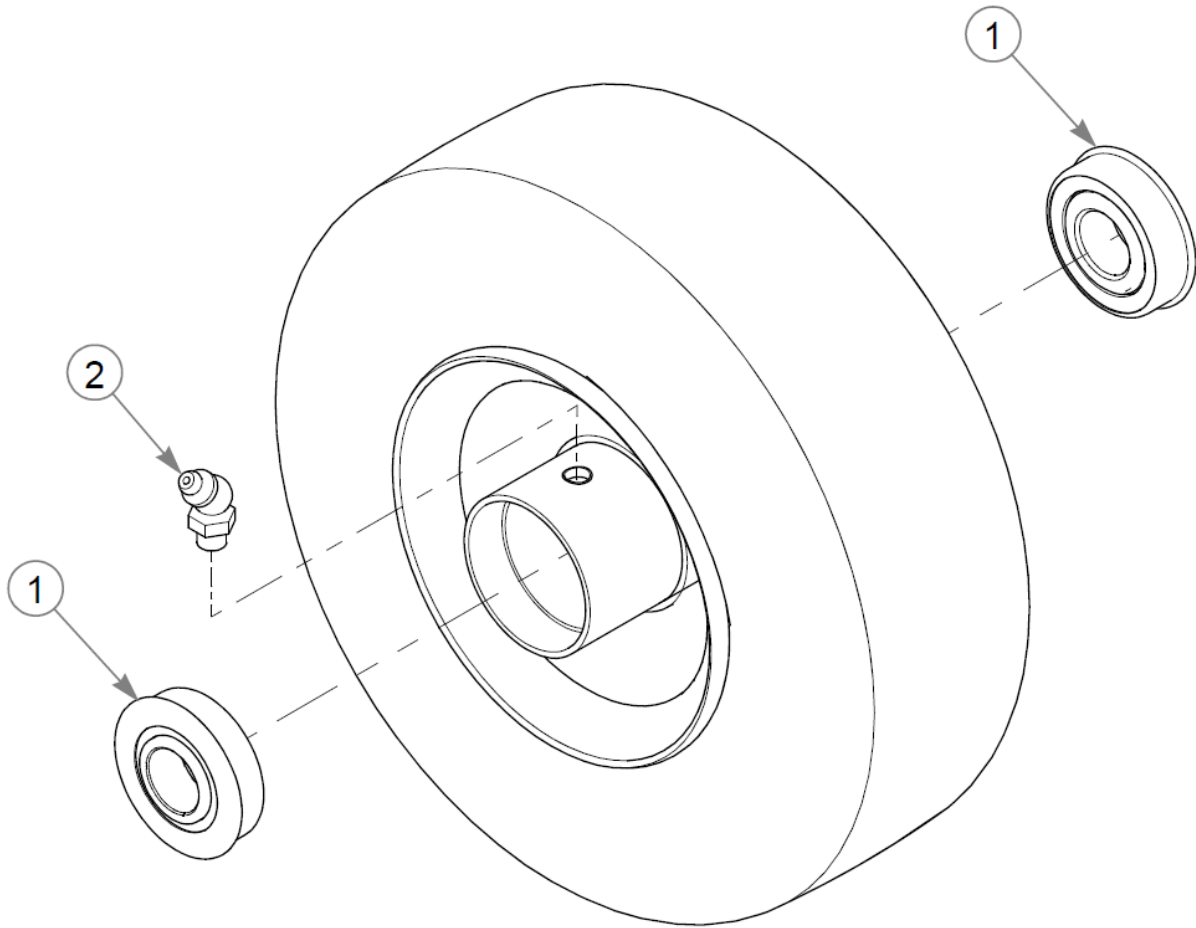
Item	Part No.	Qty	Name
1	781872	2	CS .625-11X1.250HXG5
2	606665	2	FW .656 x 2.00 x.125 HD
3	604482	2	DUST CAP, FORK
4	603440	2	O-RING, -20 ORB
5	604484	4	BEARING, SEALED BALL
6	117637	2	BEARING SPACER
7	604483	2	BEARING DISC, FORK
8	N/A	1	LEFT FRONT TIRE SUB-ASSEMBLY
9	N/A	1	RIGHT FRONT TIRE SUB-ASSEMBLY
10	603928	2	TIR/WHL 26X12.00-12 SLV
11	061077	10	WHEEL NUT
12	068239	2	CS .500-13X4.500HXG5
13	767962	4	FW .531 x 1.063 x .175
14	602345	2	SPACER, ANTI-SCALP 3.22
15	602263	2	WHEEL, ANTI-SCALP
16	008193	2	NT .500-13HXG5
17	602963	2	DUST SHIELD, IDLER LG
18	117723	2	SPACER, DUST SHIELD

Comments for Page: Wheel & Tire Install

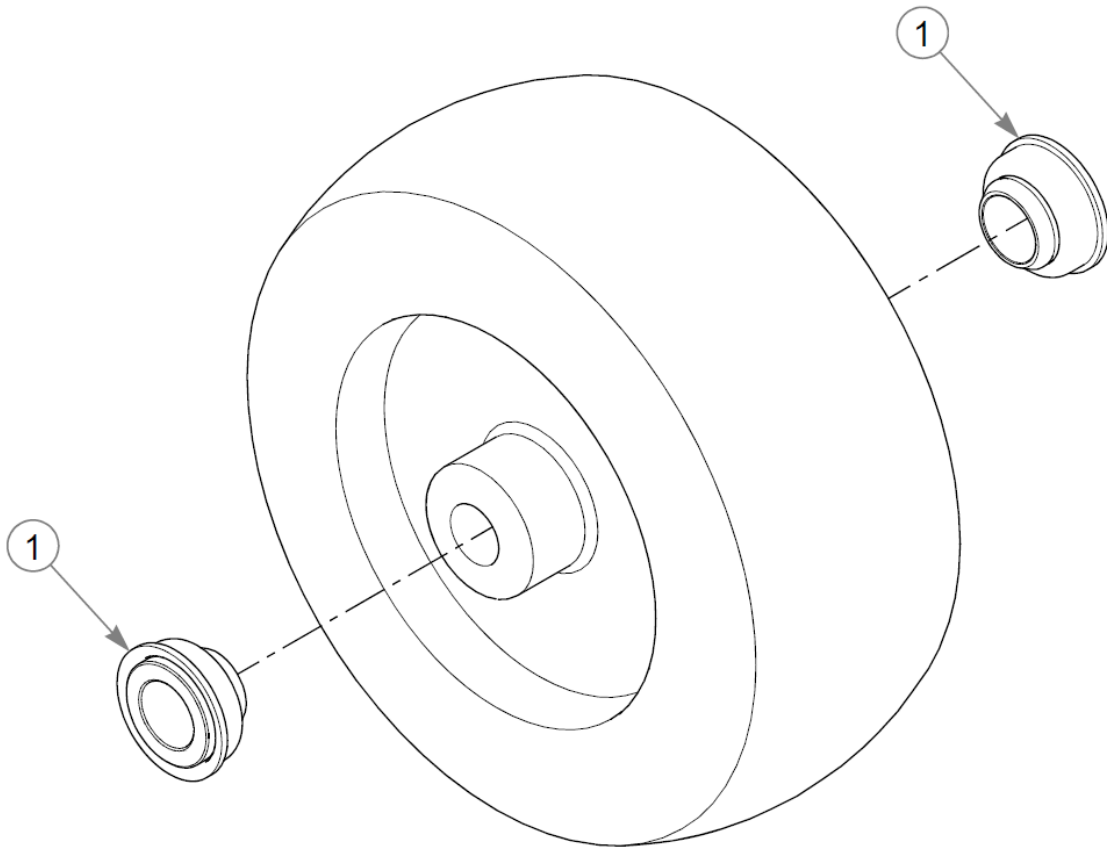
1. Torque to 65–75 ft-lbs.
2. Replacement hardware for serial numbers prior to 13040054.



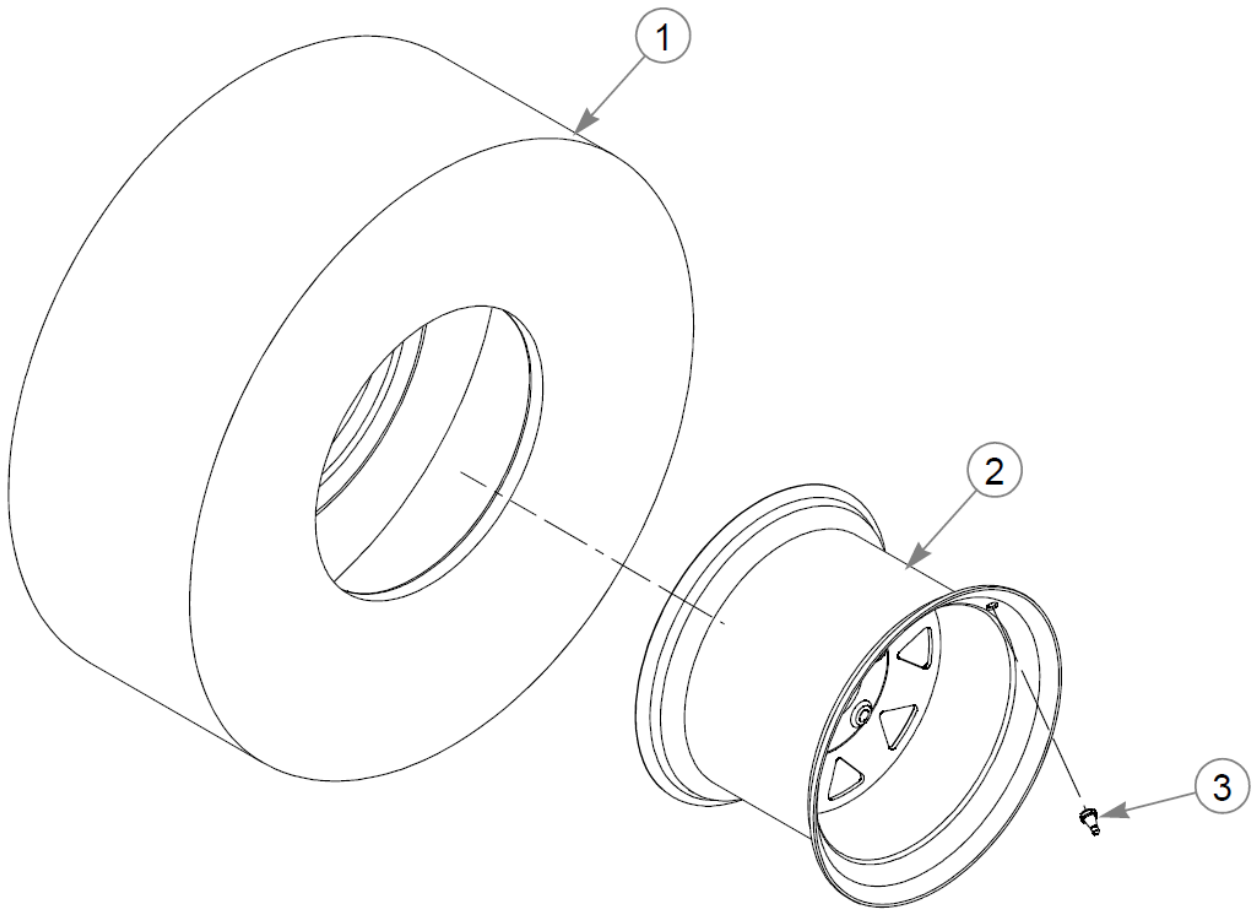
Item	Part No.	Qty	Name
1	117632	1	W/A, FORK 15.0 X 6.0
2	041475	1	CS .750-10X9.50 HX G5 ZN
3	025296	2	FW .760X1.63X0.08 ZN
4	061101	1	NT .750-10 HX ZN NL GR B
5	791897	1	S/C TO 606746
6	791913	1	TIR 15X6.00-6 B8R SMTH
7	606751	1	WHL 6X4.50 SLV
8	019521	1	TIRE VALVE TR-412 GOODY
9	782771	1	SPACER, BEARING (SERV P
10	039677	2	WHEEL BEARING



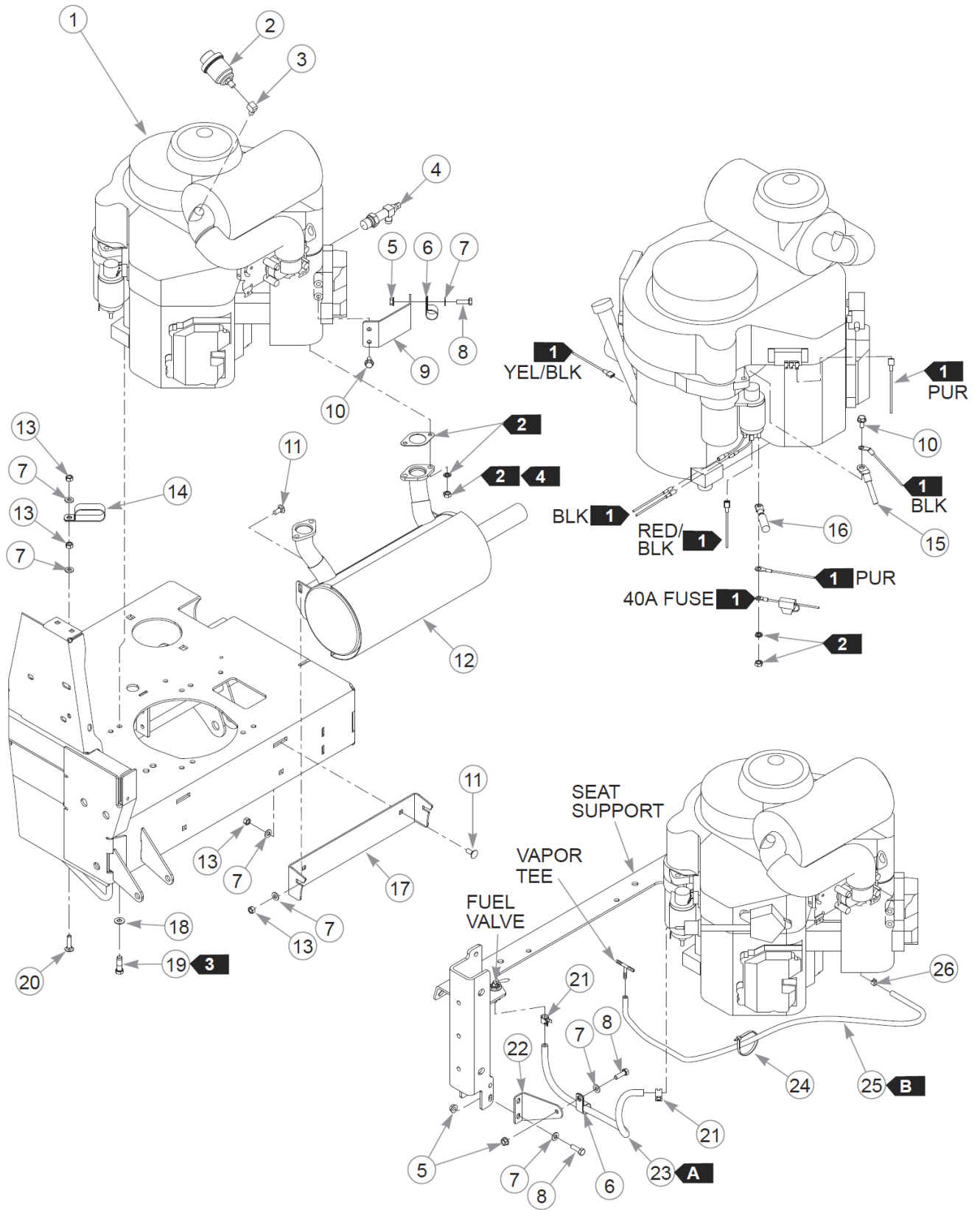
Item	Part No.	Qty	Name
1	039677	2	WHEEL BEARING
2	015511	1	GREASE FITTING 45° DEG 1/4"
Comments for Part Num. 015511			
Customer to purchase from parts store.			



Item	Part No.	Qty	Name
1	786103	2	WHEEL BEARING



Item	Part No.	Qty	Name
1	603775	1	TIR 26X12.00-12 B6R GRMR
2	604367	1	WHEEL ASSY, 12 X 10.50
3	019521	1	TIRE VALVE TR-412 GOODY



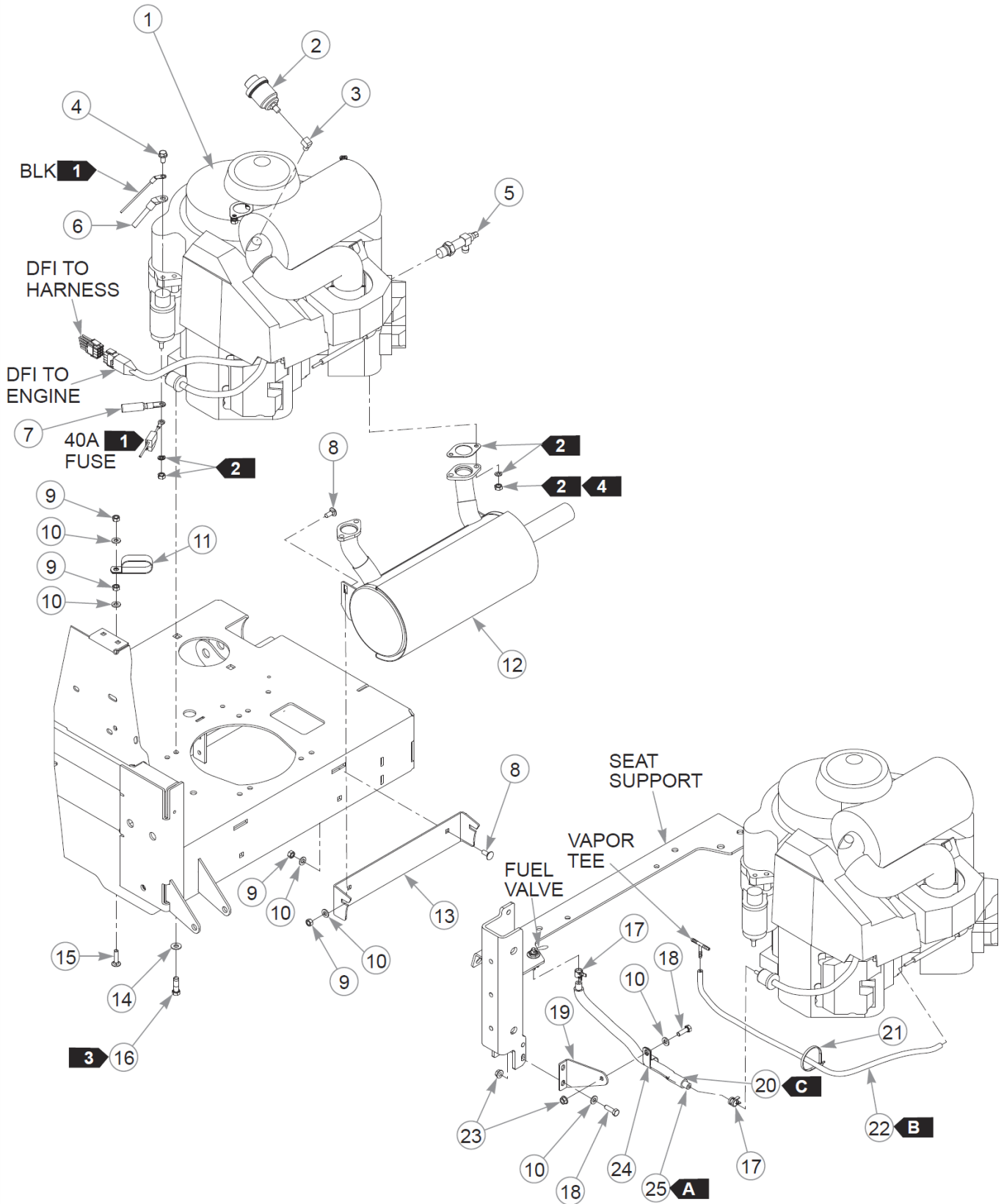
Item	Part No.	Qty	Name
1		1	ENGINE, KAW FX1000V
2	788943	1	AIR FILTER INDICATOR
3	601216	1	FTG, ELBOW, STREET
4	796524	1	VALVE,OIL DRAIN M20x2.5
5	016832	4	NT .312-18FLKG5
6	043570	2	CLIP - HOSE - SINGLE(FS)
7	768523	10	FW 0.343SAE
8	036236	4	CS .312-18X1.000HXG5
9	115819	1	SUPPORT, CABLE
10	720516	3	CS M8-1.25X16HX FL10.9
11	016253	4	CB .312-18X .750 FUL ZN
12	122557	1	KIT, MUFFLER KAWI FX1000
13	034272	6	NT .312-18HXG5
14	045088	1	HOSE CLAMP 1" (FS)
15	605155	1	BATTERY CABLE, NEGATIVE
16	604029	1	BATTERY CABLE, POSITIVE
17	115889	1	MOUNT, MUFFLER
18	767954	4	FW 0.379X.82X.06 HD ZN
19	602580	4	CS .375-16X1.25HXG8ZYP85
20	602827	1	CB .312-18X 1.250 ZN
21	000323	2	CLIP, HOSE CLAMP
22	114578	1	ANGLE, BRACE
23	015818	14"	FUEL LINE, 1/4"
<p>Comments for Part Num. 015818</p> <p>Sold by the foot.</p>			
24	000331	5	WIRE TIE, SMALL/SHORT
25	603326	34"	VAPOR LINE, 3/16"
<p>Comments for Part Num. 603326</p> <p>Sold by the foot.</p>			
26	603112	1	CLAMP, 3/16 FUEL

Comments for Page: Engine, Kawasaki FX1000V

FUEL & VAPOR LINE LENGTHSA: 14" VALVE TO ENGINE (FUEL)B: 34" TEE TO ENGINE (VAPOR)1. Part of the wire harness.2. Supplied with the engine.3. Torque to 12 ft-lbs plus 90° rotation of the bolt head. Minimum torque is 30 ft-lbs. Replace (do not reuse) the cap screw if it's removed or

loosened. Use only hand tools to install this fastener.4. Torque to 17 ft-lbs.

This page intentionally left blank



Item	Part No.	Qty	Name
1		1	KAWASAKI FX1000V DFI ENGINE
2	788943	1	AIR FILTER INDICATOR
3	601216	1	FTG, ELBOW, STREET
4	720516	1	CS M8-1.25X16HX FL10.9
5	796524	1	VALVE,OIL DRAIN M20x2.5
6	605155	1	BATTERY CABLE, NEGATIVE
7	604029	1	BATTERY CABLE, POSITIVE
8	016253	4	CB .312-18X .750 FUL ZN
9	034272	6	NT .312-18HXG5
10	768523	9	FW 0.343SAE
11	045088	1	HOSE CLAMP 1" (FS)
12	605223	1	MUFFLER, FX1000V DFI
13	115889	1	MOUNT, MUFFLER
14	767954	4	FW 0.379X.82X.06 HD ZN
15	602827	1	CB .312-18X 1.250 ZN
16	602580	4	CS .375-16X1.25HXG8ZYP85
17	000323	2	CLIP, HOSE CLAMP
18	036236	3	CS .312-18X1.000HXG5
19	114578	1	ANGLE, BRACE
20	605215	11"	FUEL LINE THERMAL SHIELD
Comments for Part Num. 605215			
Sold by the foot.			
21	000331	5	WIRE TIE, SMALL/SHORT
22	603326	23"	VAPOR LINE, 3/16"
Comments for Part Num. 603326			
Sold by the foot.			
23	016832	3	NT .312-18FLKG5
24	043570	1	CLIP - HOSE - SINGLE(FS)
25	015818	13"	FUEL LINE, 1/4"
Comments for Part Num. 015818			
Sold by the foot.			

VAPOR & FUEL LINE LENGTHS

A: 13" fuel line from the fuel valve to the engine

B: 23" vapor line from the vapor tee to the engine

C: 11" thermal shield on the fuel line from the fuel valve to the engine

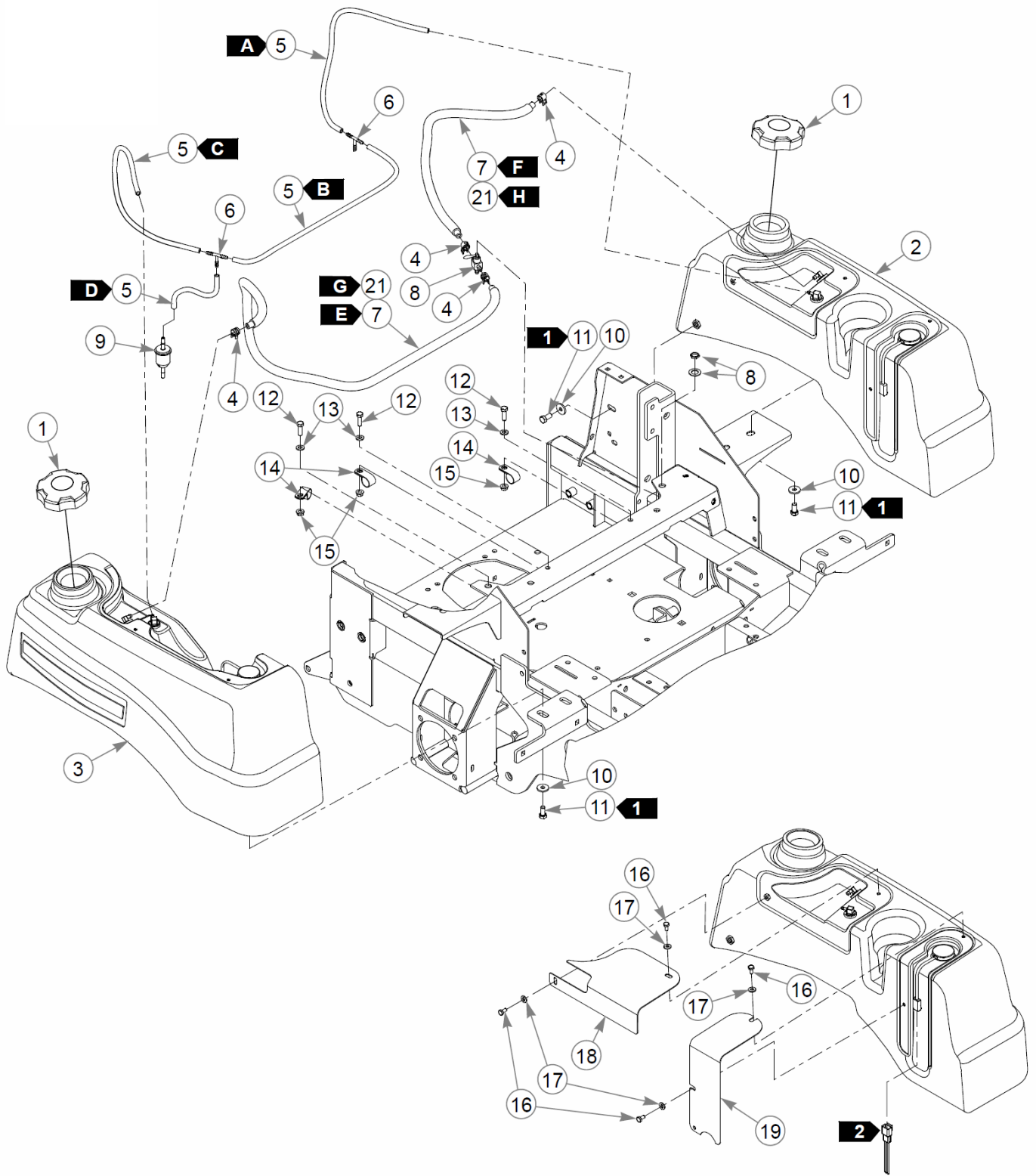
1. Part of the wire harness.

2. Supplied with the engine.

3. Torque to 30 ft-lbs. Replace (do not reuse) the cap screw if it's removed or loosened. Use only hand tools to install this fastener.

4. Torque to 22 ft-lbs.

This page intentionally left blank



Item	Part No.	Qty	Name
1	603807	2	CAP, 3.5" RATCHETING GAS
2	605102	1	S/C TO 607872
Not Shown	607872	1	FUEL TANK ASM, LH FENDER
3	605101	1	S/C TO 607873
Not Shown	607873	1	FUEL TANK ASM, RH FENDER
4	000323	4	CLIP, HOSE CLAMP
5	603326	74"	VAPOR LINE, 3/16"
<p>Comments for Part Num. 603326</p> <p>Sold by the foot.</p>			
6	604281	2	TEE, 3/16" PLASTIC
7	015818	66"	FUEL LINE, 1/4"
<p>Comments for Part Num. 015818</p> <p>Sold by the foot.</p>			
8	745059	1	FUEL VALVE 3-WAY
9	604323	1	VAPOR SYSTEM FILTER
10	712919	10	FW 0.406X1.00X.12 HD ZN
11	055822	10	CS .375-16X0.75 HX G5 ZN
12	036236	3	CS .312-18X1.000HXG5
13	768523	3	FW 0.343SAE
14	043570	3	CLIP - HOSE - SINGLE(FS)
15	016832	3	NT .312-18FLKG5
16	055947	4	CS .250-20X0.50 HX G5 ZN
17	768515	4	FW 0.281SAE
18	115998	1	COVER, TANK
19	115999	1	COVER, TANK
20	000331	1	WIRE TIE, SMALL/SHORT
21	605215	62"	FUEL LINE THERMAL SHIELD
<p>Comments for Part Num. 605215</p> <p>Sold by the foot.</p>			

Comments for Page: Fuel System - Kawasaki FX1000V DFI

FUEL LINE LENGTHS

A: 17" LEFT TANK TO TEE (VAPOR)

B: 24" TEE TO TEE (VAPOR)

C: 24" RIGHT TANK TO TEE (VAPOR)

D: 9" TEE TO FILTER (VAPOR)

E: 44" RIGHT TANK TO VALVE (FUEL)

F: 22" LEFT TANK TO VALVE (FUEL)

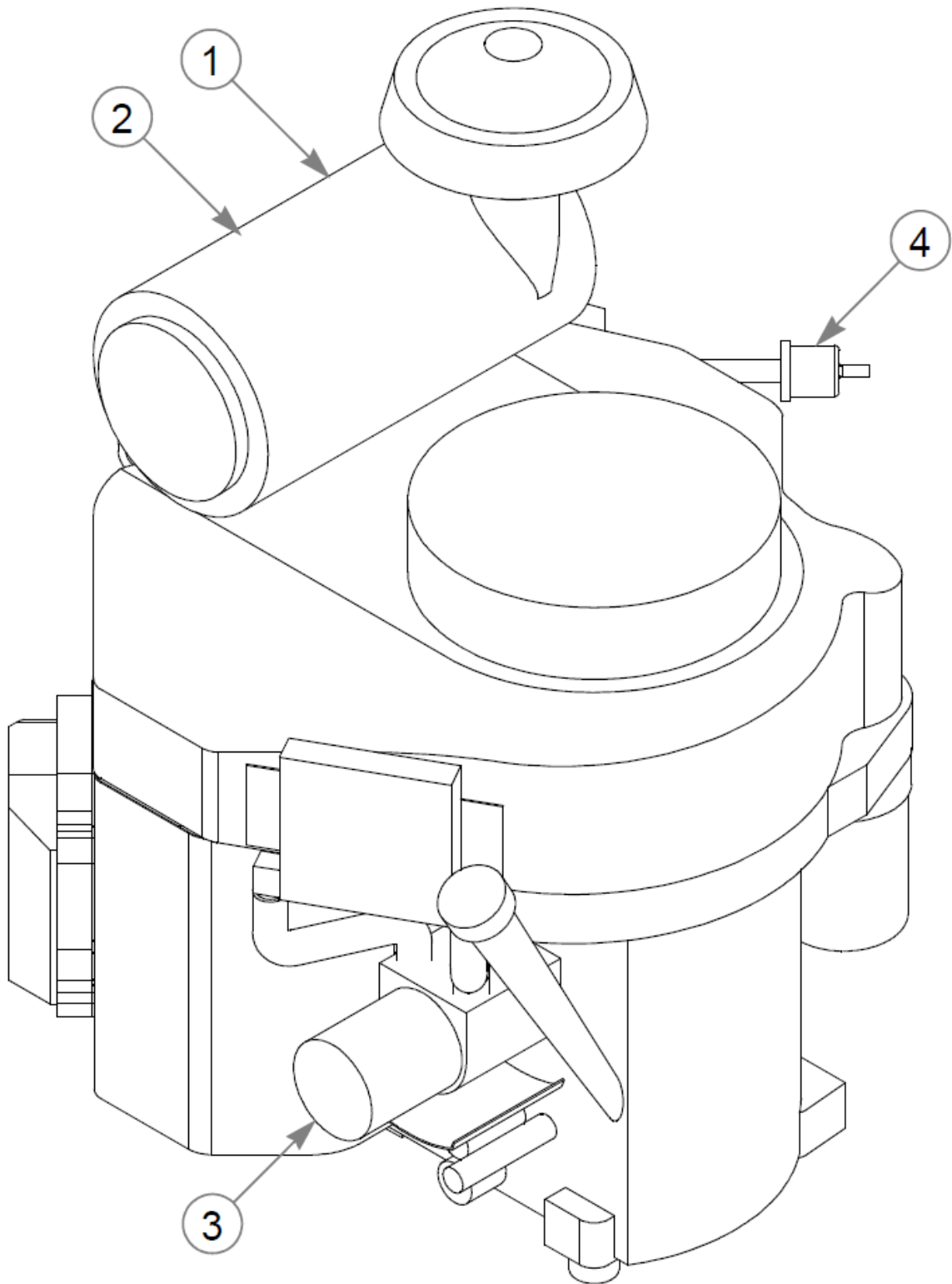
G: 42" RIGHT TANK TO VALVE (THERMAL SHIELD)

H: 20" LEFT TANK TO VALVE (THERMAL SHIELD)

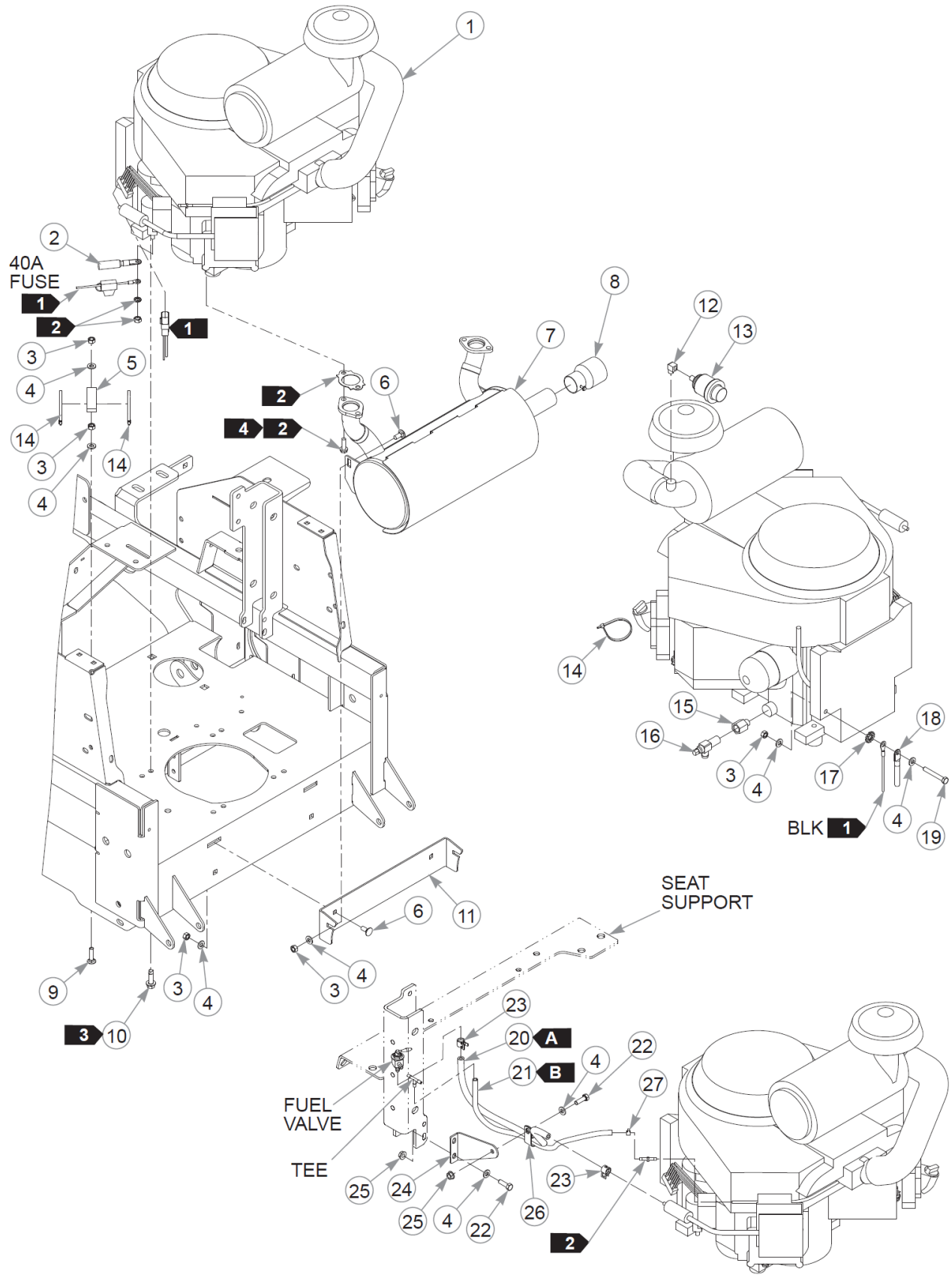
1. Torque to 20 ft-lbs.

2. Part of the wire harness

This page intentionally left blank



Item	Part No.	Qty	Name
1	785261	1	AIR FILTER - MAIN
2	785279	1	AIR FILTER - SAFETY
3	603138	1	ENGINE OIL FILTER
4	068478	1	FUEL FILTER - IN LINE



Item	Part No.	Qty	Name
1		1	VANGUARD M61 ENGINE
2	604029	1	BATTERY CABLE, POSITIVE
3	034272	7	NT .312-18HXG5
4	768523	11	FW 0.343SAE
5	045088	1	HOSE CLAMP 1" (FS)
6	016253	4	CB .312-18X .750 FUL ZN
7	604660	1	MUFFLER, VAN M61
8	602281	1	SPARK ARRESTER, 1.50"
9	602827	1	CB .312-18X 1.250 ZN
10	605814	8	SC0.375-16X1.250FLG
11	115889	1	MOUNT, MUFFLER
12	601216	1	FTG, ELBOW, STREET
13	788943	1	AIR FILTER INDICATOR
14	000331	3	WIRE TIE, SMALL/SHORT
15	604799	1	ADAPTER, M14X1.5 TO
16	796516	1	VALVE,OIL DRAIN 3/8-18
17	793885	1	LW .375 INTEXT ZN
18	604026	1	BATTERY CABLE, NEGATIVE
19	038828	1	CS .312-18X2.250HXG5
20	015818	14"	FUEL LINE, 1/4"
Comments for Part Num. 015818			
Sold by the foot.			
21	603326	20"	VAPOR LINE, 3/16"
Comments for Part Num. 603326			
Sold by the foot.			
22	036236	3	CS .312-18X1.000HXG5
23	000323	2	CLIP, HOSE CLAMP
24	114578	1	ANGLE, BRACE
25	016832	3	NT .312-18FLKG5
26	043570	1	CLIP - HOSE - SINGLE(FS)
27	603112	1	CLAMP, 3/16 FUEL

Comments for Page: Engine, Vanguard - Without Carbon Canister

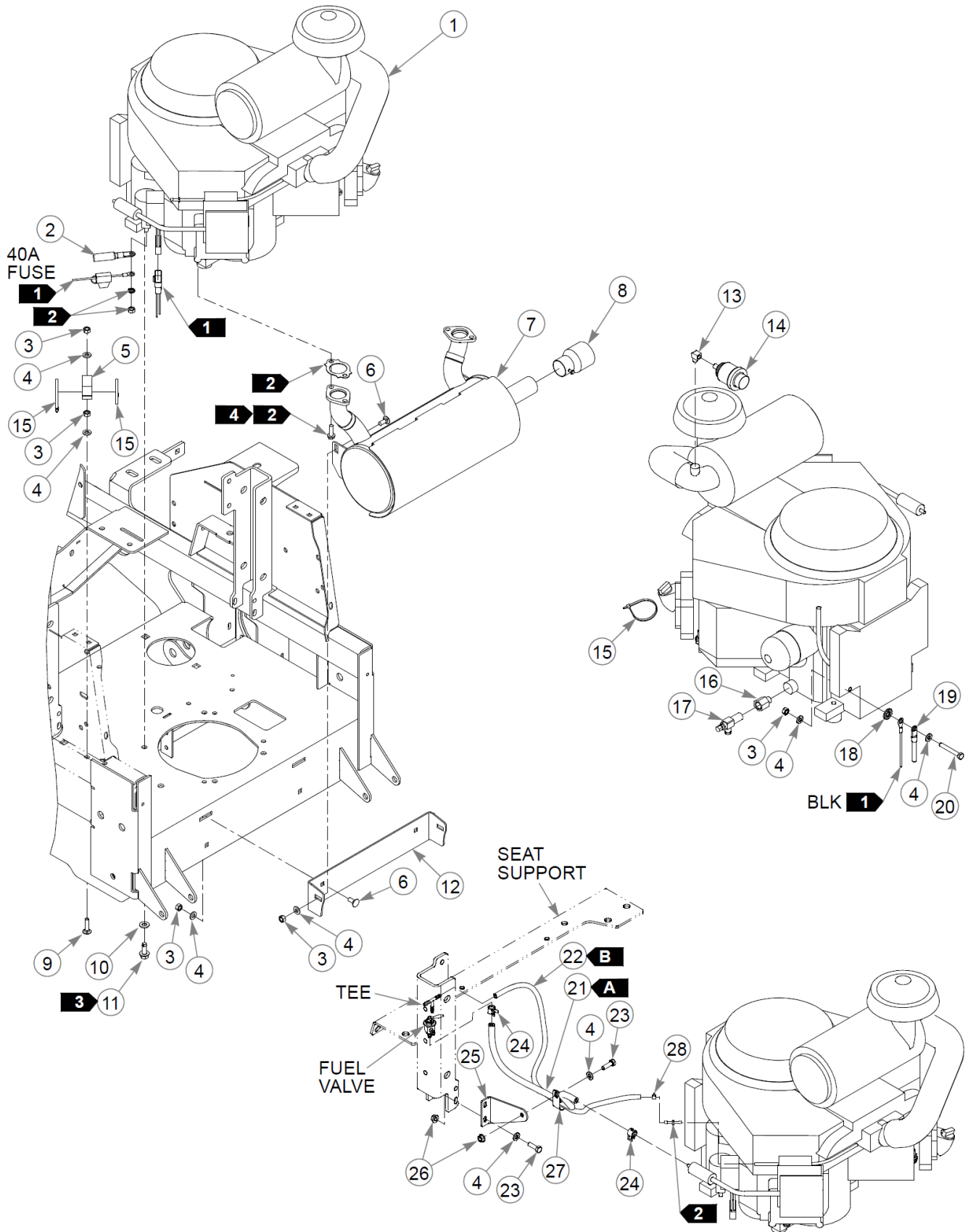
FUEL & VAPOR LINE LENGTHS

A: 14" VALVE TO ENGINE (FUEL)

B: 20" TEE TO ENGINE (VAPOR)

1. Part of the wire harness.
2. Supplied with the engine.
3. Torque to 44 ft-lbs.
4. Torque to 17 ft-lbs.

This page intentionally left blank



Item	Part No.	Qty	Name
1		1	VANGUARD M61 ENGINE
2	604029	1	BATTERY CABLE, POSITIVE
3	034272	7	NT .312-18HXG5
4	768523	11	FW 0.343SAE
5	045088	1	HOSE CLAMP 1" (FS)
6	016253	4	CB .312-18X .750 FUL ZN
7	604660	1	MUFFLER, VAN M61
8	602281	1	SPARK ARRESTER, 1.50"
9	602827	1	CB .312-18X 1.250 ZN
10	767954	4	FW 0.379X.82X.06 HD ZN
11	792788	4	SC0.375-16X1.000FLG
12	115889	1	MOUNT, MUFFLER
13	601216	1	FTG, ELBOW, STREET
14	788943	1	AIR FILTER INDICATOR
15	000331	3	WIRE TIE, SMALL/SHORT
16	604799	1	ADAPTER, M14X1.5 TO
17	796516	1	VALVE,OIL DRAIN 3/8-18
18	793885	1	LW .375 INTEXT ZN
19	604026	1	BATTERY CABLE, NEGATIVE
20	038828	1	CS .312-18X2.250HXG5
21	015818	14"	FUEL LINE, 1/4"
<p>Comments for Part Num. 015818</p> <p>Sold by the foot.</p>			
22	603326	30"	VAPOR LINE, 3/16"
<p>Comments for Part Num. 603326</p> <p>Sold by the foot.</p>			
23	036236	3	CS .312-18X1.000HXG5
24	000323	2	CLIP, HOSE CLAMP
25	114578	1	ANGLE, BRACE
26	016832	3	NT .312-18FLKG5
27	043570	1	CLIP - HOSE - SINGLE(FS)
28	603112	1	CLAMP, 3/16 FUEL

Comments for Page: Engine, Vanguard - With Carbon Canister

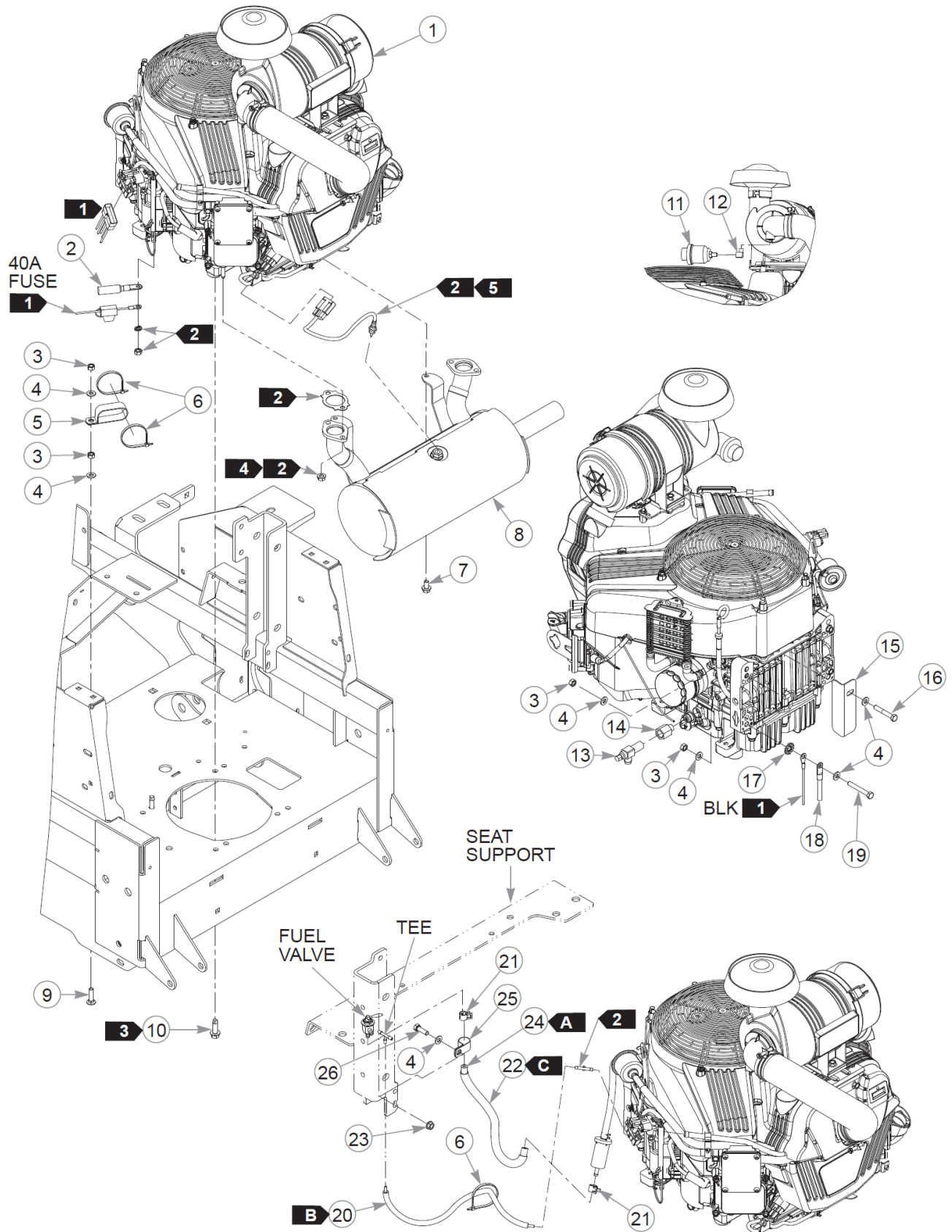
FUEL & VAPOR LINE LENGTHS

A: 14" VALVE TO ENGINE (FUEL)

B: 30" TEE TO ENGINE (VAPOR)

1. Part of the wire harness.
2. Supplied with the engine.
3. Torque to 30 ft-lbs.
4. Torque to 17 ft-lbs.

This page intentionally left blank



Item	Part No.	Qty	Name
1		1	ENGINE, VAN M61 EFI
2	604029	1	BATTERY CABLE, POSITIVE
3	034272	4	NT .312-18HXG5
4	768523	7	FW 0.343SAE
5	045088	1	HOSE CLAMP 1" (FS)
6	000331	3	WIRE TIE, SMALL/SHORT
7	720516	2	CS M8-1.25X16HX FL10.9
8	607108	1	MUFFLER, BAS M61 EFI
9	602827	1	CB .312-18X 1.250 ZN
10	605814	8	SC0.375-16X1.250FLG
11	788943	1	AIR FILTER INDICATOR
12	601216	1	FTG, ELBOW, STREET
13	796516	1	VALVE,OIL DRAIN 3/8-18
14	604799	1	ADAPTER, M14X1.5 TO
15	122467	1	BRACKET, HOSE GUARD
16	064345	1	CS .312-18X2.000HXG5
17	793885	1	LW .375 INTEXT ZN
18	604026	1	BATTERY CABLE, NEGATIVE
19	038828	1	CS .312-18X2.250HXG5
20	603326	20"	VAPOR LINE, 3/16"
Comments for Part Num. 603326			
Sold by the foot.			
21	000323	2	CLIP, HOSE CLAMP
22	605215	11"	FUEL LINE THERMAL SHIELD
Comments for Part Num. 605215			
Sold by the foot.			
23	016832	1	NT .312-18FLKG5
24	015818	12"	FUEL LINE, 1/4"
Comments for Part Num. 015818			
Sold by the foot.			
25	043570	1	CLIP - HOSE - SINGLE(FS)
26	036236	1	CS .312-18X1.000HXG5

Comments for Page: Engine, Vanguard EFI

FUEL & VAPOR LINE LENGTHS

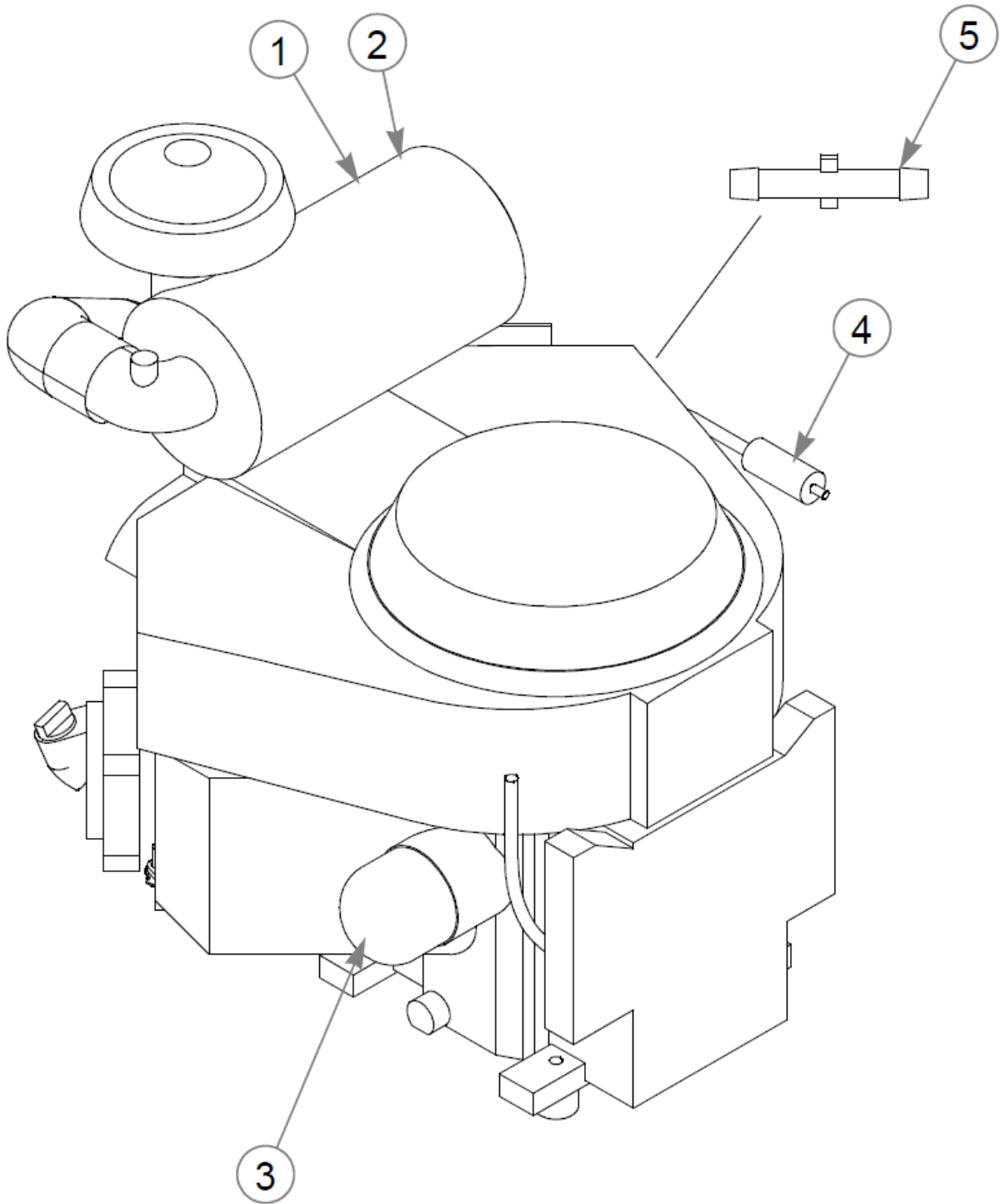
A: 12" fuel line from the fuel valve to the engine

B: 20" vapor line from the vapor tee to the engine

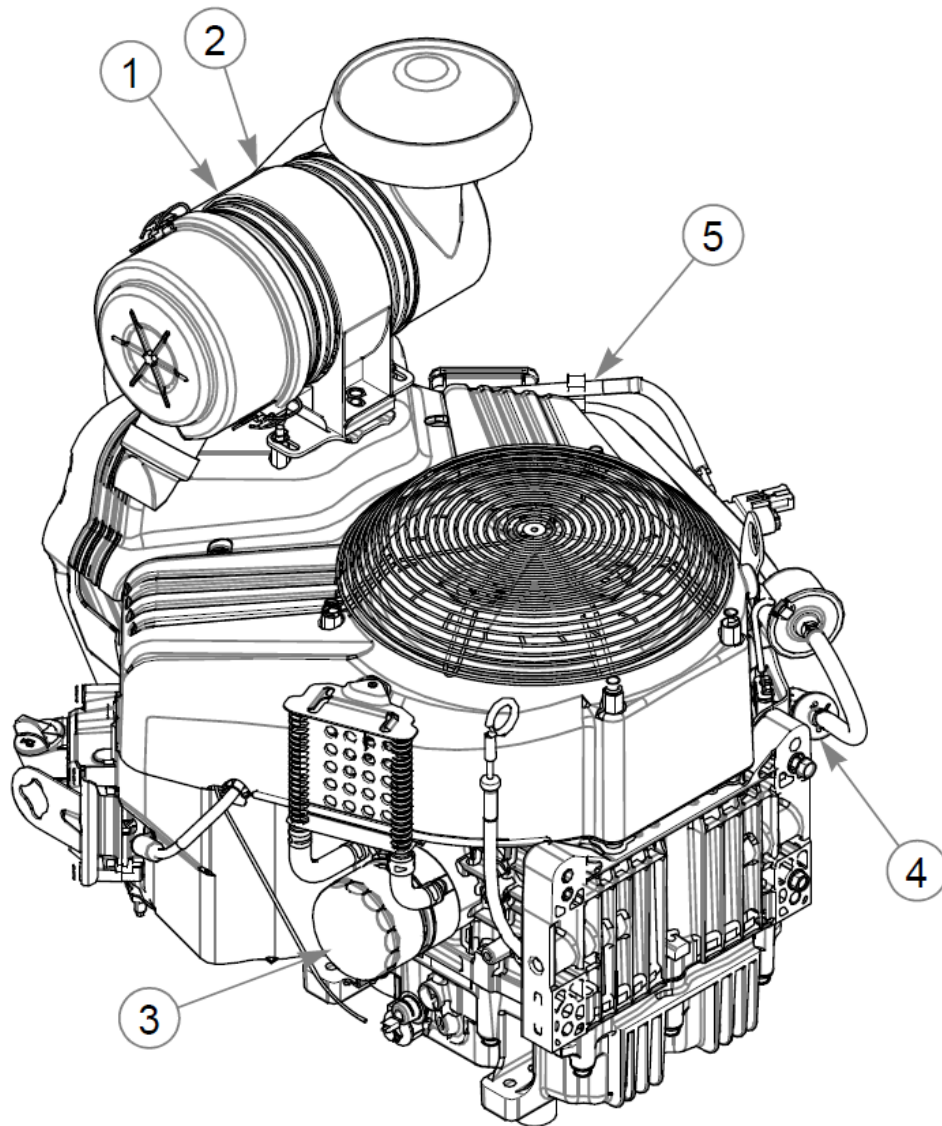
C: 11" thermal shield on the fuel line from the fuel valve to the engine

1. Part of the wire harness.
2. Supplied with the engine.
3. Torque to 44 ft-lbs.
4. Torque to 17 ft-lbs.
5. Torque to 30 ft-lbs.

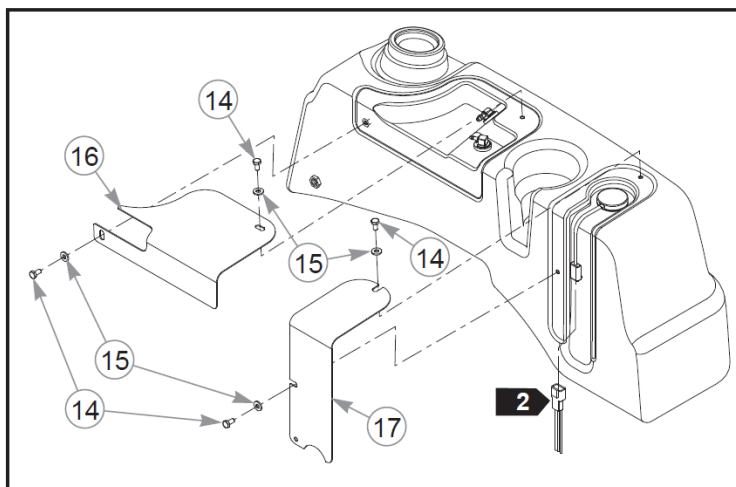
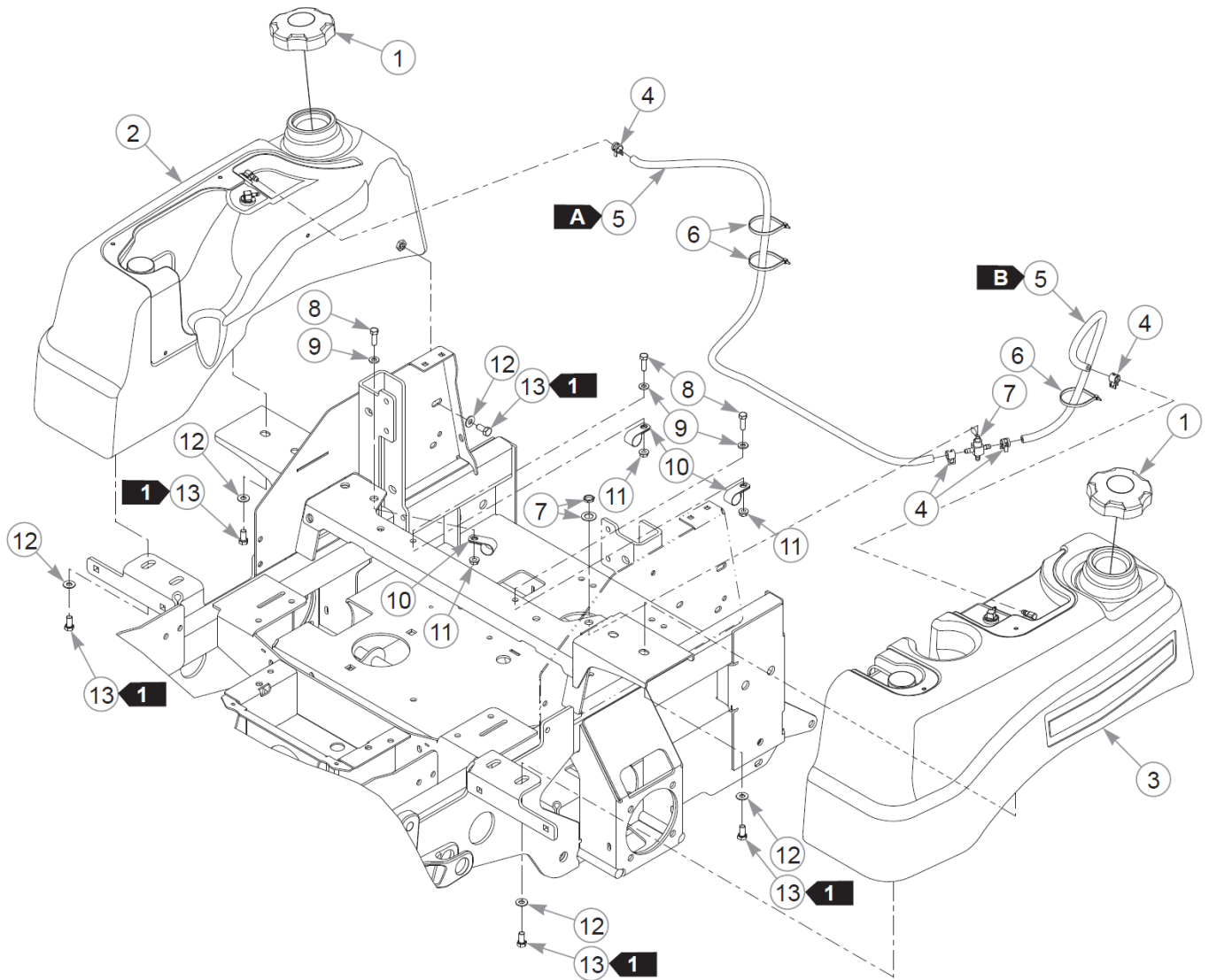
This page intentionally left blank



Item	Part No.	Qty	Name
1	785261	1	AIR FILTER - MAIN
2	785279	1	AIR FILTER - SAFETY
3	603196	1	ENGINE OIL FILTER
4	068478	1	FUEL FILTER - IN LINE
5	604807	1	VAPOR FITTING



Item	Part No.	Qty	Name
1	785261	1	AIR FILTER - MAIN
2	785279	1	AIR FILTER - SAFETY
3	603196	1	ENGINE OIL FILTER
4	605763	1	FUEL FILTER, VAN M49 810
5	604807	1	VAPOR FITTING



Item	Part No.	Qty	Name
1	603807	2	CAP, 3.5" RATCHETING GAS
2	605101	1	S/C TO 607873
Not Shown	607873	1	FUEL TANK ASM, RH FENDER
3	605102	1	S/C TO 607872
Not Shown	607872	1	FUEL TANK ASM, LH FENDER
4	000323	4	CLIP, HOSE CLAMP
5	015818	68"	FUEL LINE, 1/4"
<p>Comments for Part Num. 015818</p> <p>Sold by the foot.</p>			
6	000331	3	WIRE TIE, SMALL/SHORT
7	745059	1	FUEL VALVE 3-WAY
8	036236	5	CS .312-18X1.000HXG5
9	768523	5	FW 0.343SAE
10	043570	3	CLIP - HOSE - SINGLE(FS)
11	016832	7	NT .312-18FLKG5
12	767954	10	FW 0.379X.82X.06 HD ZN
13	055822	10	CS .375-16X0.75 HX G5 ZN
14	055947	4	CS .250-20X0.50 HX G5 ZN
15	768515	4	FW 0.281SAE
16	115998	1	COVER, TANK
17	115999	1	COVER, TANK

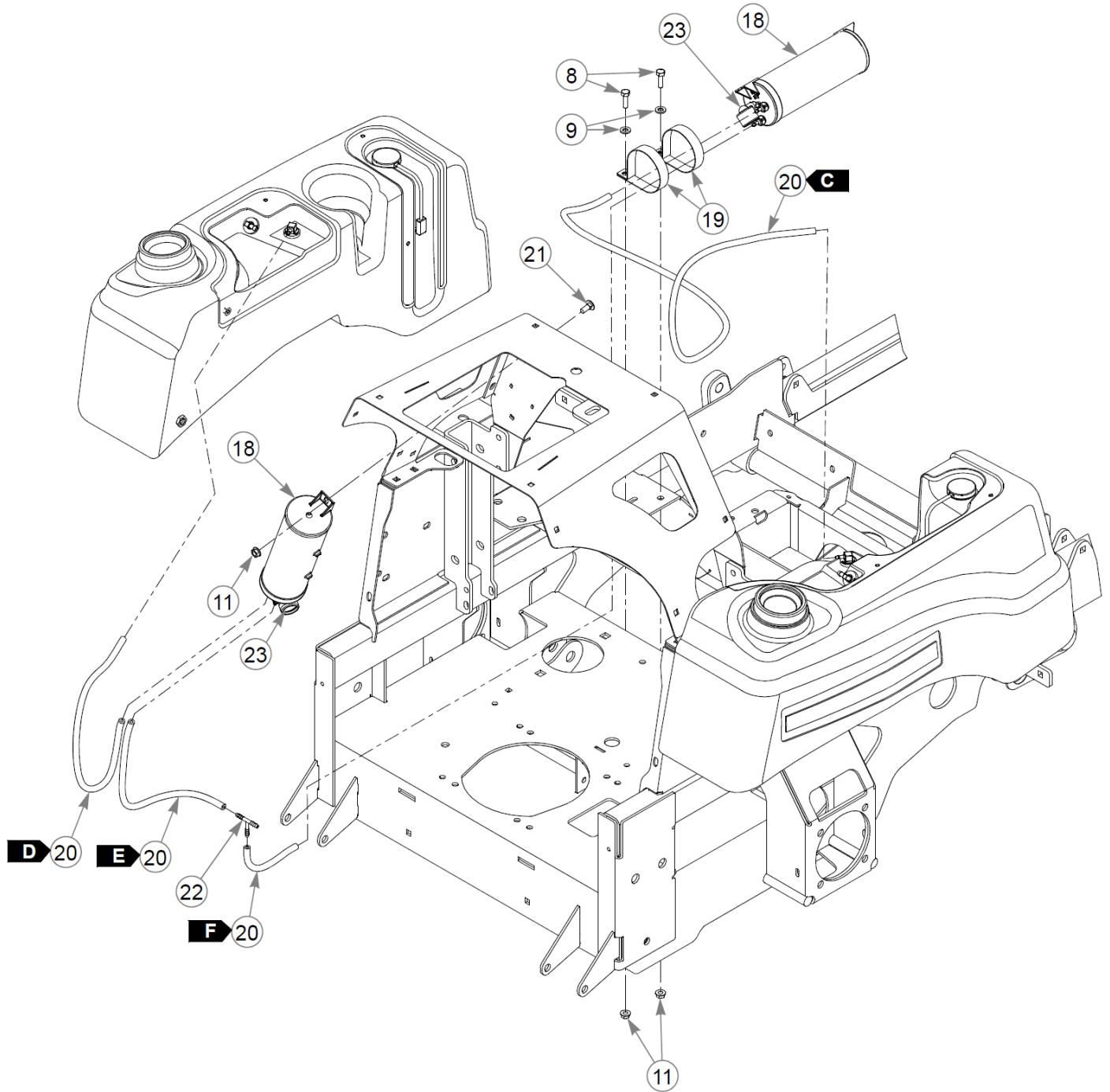
Comments for Page: Fuel System, Vanguard - With Carbon Canister

FUEL LINE LENGTHS

A: 47" fuel line from the right tank to the fuel valve

B: 21" fuel line from the left tank to the fuel valve

1. Torque to 20 ft-lbs.
2. Part of the wire harness.



Item	Part No.	Qty	Name
1	603807	2	CAP, 3.5" RATCHETING GAS
2	605101	1	S/C TO 607873
Not Shown	607873	1	FUEL TANK ASM, RH FENDER
3	605102	1	S/C TO 607872
Not Shown	607872	1	FUEL TANK ASM, LH FENDER
4	000323	4	CLIP, HOSE CLAMP
5	015818	68"	FUEL LINE, 1/4"
<p>Comments for Part Num. 015818</p> <p>Sold by the foot.</p>			
6	000331	3	WIRE TIE, SMALL/SHORT
7	745059	1	FUEL VALVE 3-WAY
8	036236	5	CS .312-18X1.000HXG5
9	768523	5	FW 0.343SAE
10	043570	3	CLIP - HOSE - SINGLE(FS)
11	016832	7	NT .312-18FLKG5
12	767954	10	FW 0.379X.82X.06 HD ZN
13	055822	10	CS .375-16X0.75 HX G5 ZN
14	055947	4	CS .250-20X0.50 HX G5 ZN
15	768515	4	FW 0.281SAE
16	115998	1	COVER, TANK
17	115999	1	COVER, TANK
18	604314	2	CARBON CANISTER, 9 GAL
19	602980	2	CLAMP, CUSHIONED 3.0"
20	603326	90"	VAPOR LINE, 3/16"
<p>Comments for Part Num. 603326</p> <p>Sold by the foot.</p>			
21	016253	2	CB .312-18X .750 FUL ZN
22	604281	1	TEE, 3/16" PLASTIC
23	603161	2	VACUUM BREAKER FILTER

Comments for Page: Evap System, Vanguard - With Carbon Canister

FUEL & VAPOR LINE LENGTHS

C: 47" vapor line from the right tank to the canister

D: 20" vapor line from the left tank to the canister

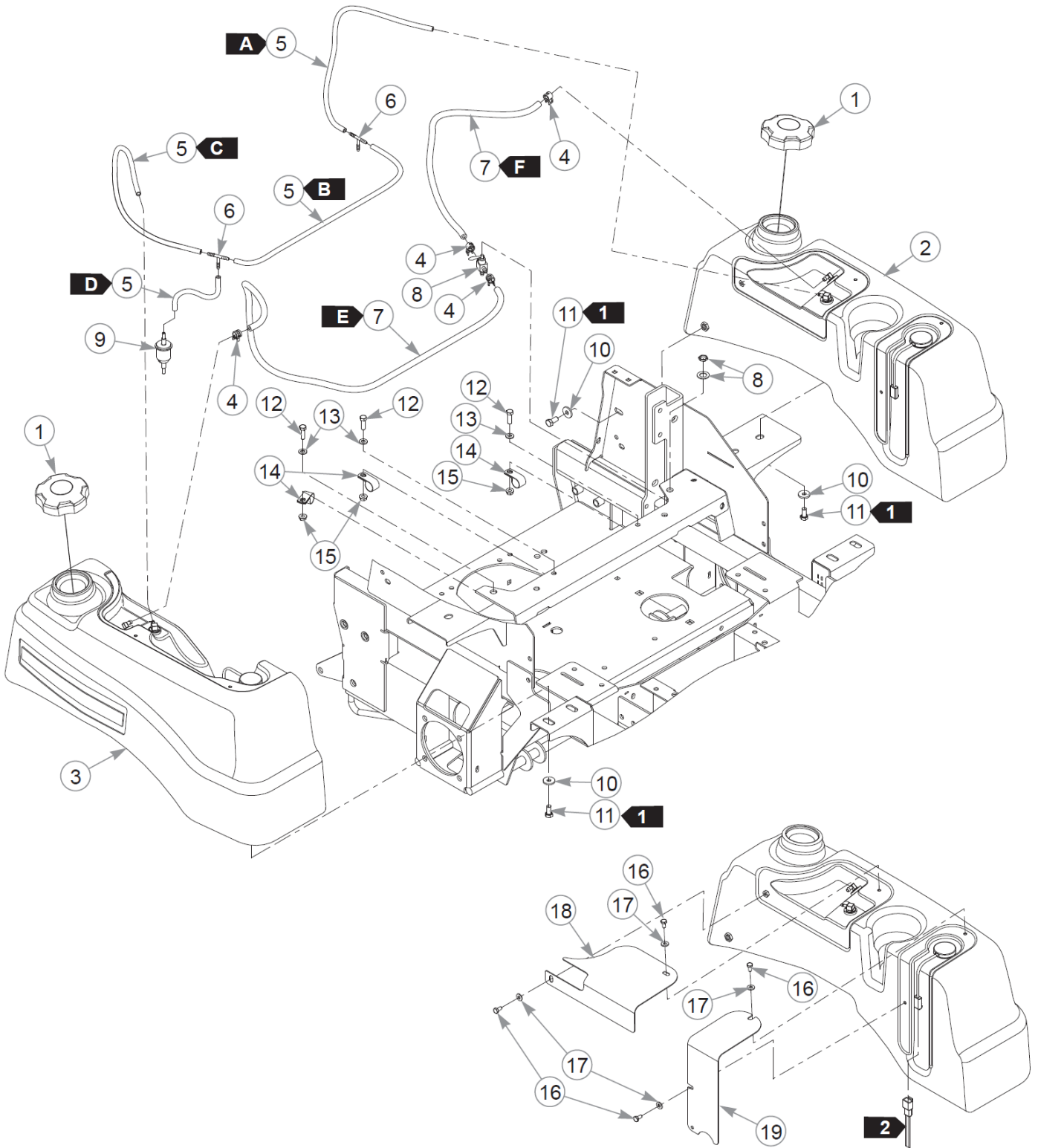
Evap System, Vanguard - With Carbon Canister

Super 104 Parts Manual

E: 17" vapor line from the canister to the vapor tee

F: 6" vapor line from the canister to the vapor tee

This page intentionally left blank



Item	Part No.	Qty	Name
1	603807	2	CAP, 3.5" RATCHETING GAS
2	605102	1	S/C TO 607872
Not Shown	607872	1	FUEL TANK ASM, LH FENDER
3	605101	1	S/C TO 607873
Not Shown	607873	1	FUEL TANK ASM, RH FENDER
4	000323	4	CLIP, HOSE CLAMP
5	603326	74	VAPOR LINE, 3/16"
<p>Comments for Part Num. 603326</p> <p>Sold by the foot.</p>			
6	604281	2	TEE, 3/16" PLASTIC
7	015818	66	FUEL LINE, 1/4"
<p>Comments for Part Num. 015818</p> <p>Sold by the foot.</p>			
8	745059	1	FUEL VALVE 3-WAY
9	604323	1	VAPOR SYSTEM FILTER
10	712919	10	FW 0.406X1.00X.12 HD ZN
11	055822	10	CS .375-16X0.75 HX G5 ZN
12	036236	3	CS .312-18X1.000HXG5
13	768523	3	FW 0.343SAE
14	043570	3	CLIP - HOSE - SINGLE(FS)
15	016832	3	NT .312-18FLKG5
16	055947	4	CS .250-20X0.50 HX G5 ZN
17	768515	4	FW 0.281SAE
18	115998	1	COVER, TANK
19	115999	1	COVER, TANK
20	000331	1	WIRE TIE, SMALL/SHORT

Comments for Page: Fuel System, Kawasaki / Vanguard - Without Carbon Canister

FUEL LINE LENGTHS

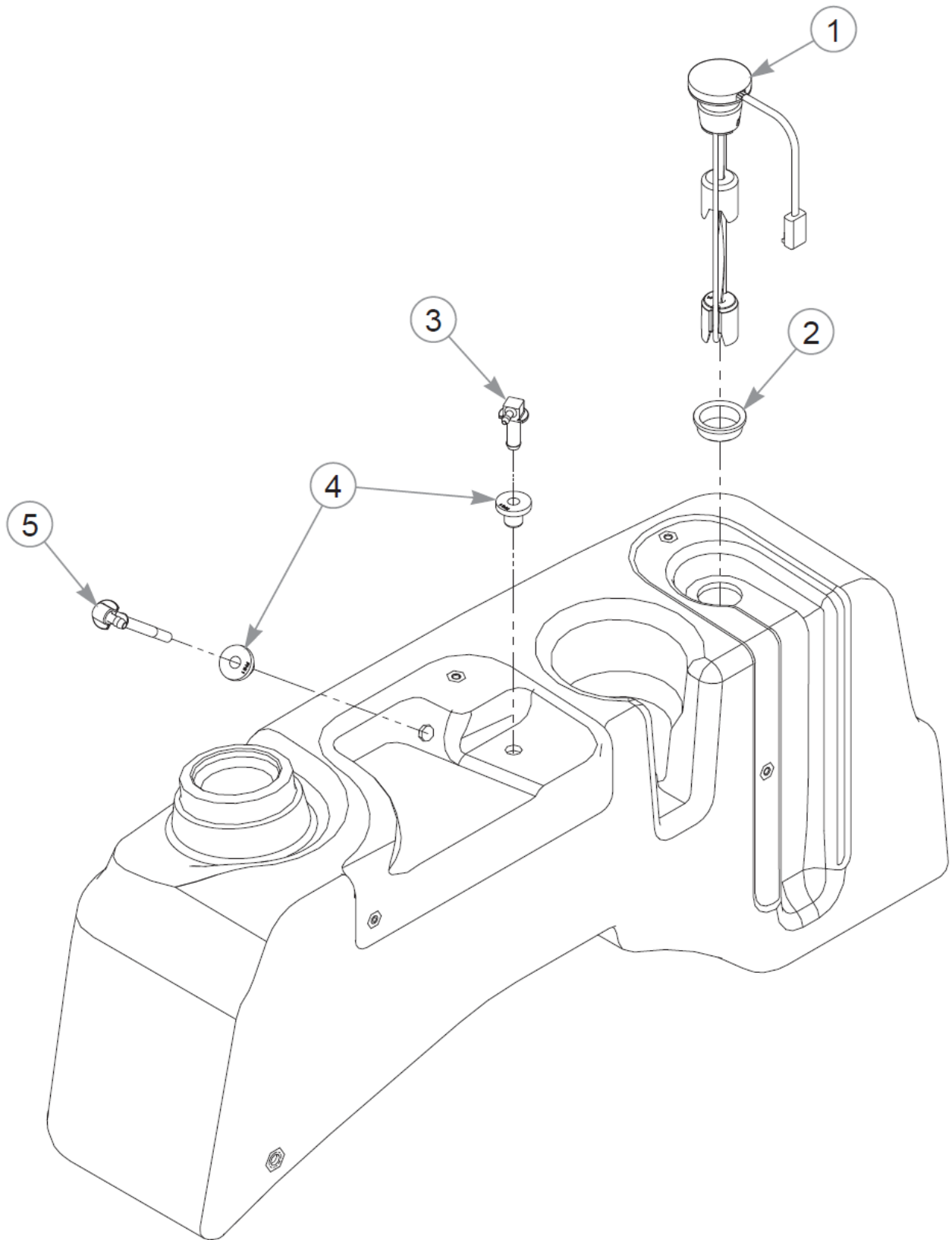
- A: 17" LEFT TANK TO TEE (VAPOR)
- B: 24" TEE TO TEE (VAPOR)
- C: 24" RIGHT TANK TO TEE (VAPOR)
- D: 9" TEE TO FILTER (VAPOR)

E: 44" RIGHT TANK TO VALVE (FUEL)

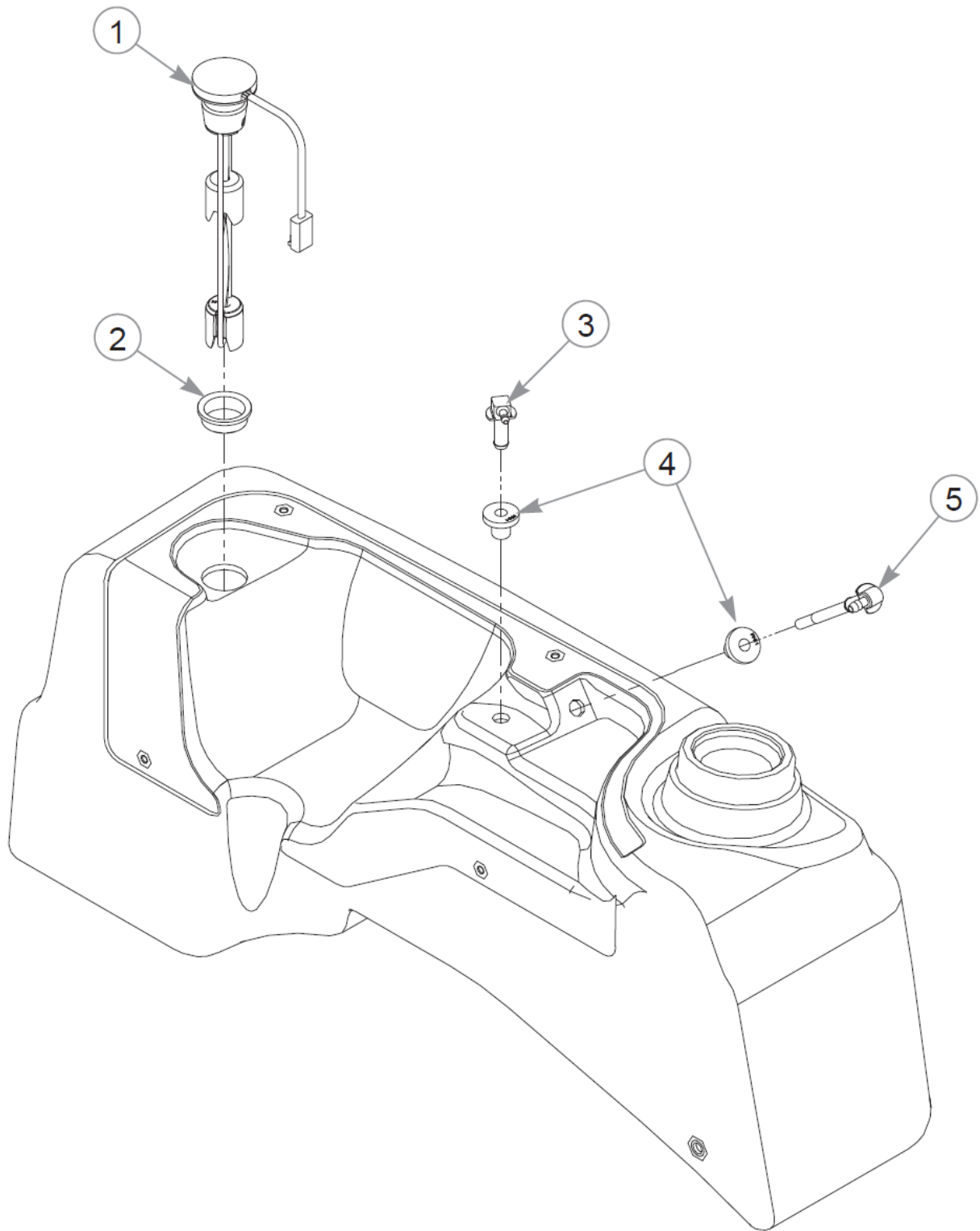
F: 22" LEFT TANK TO VALVE (FUEL)

1. Torque to 16 ft-lbs.
2. Part of the wire harness.

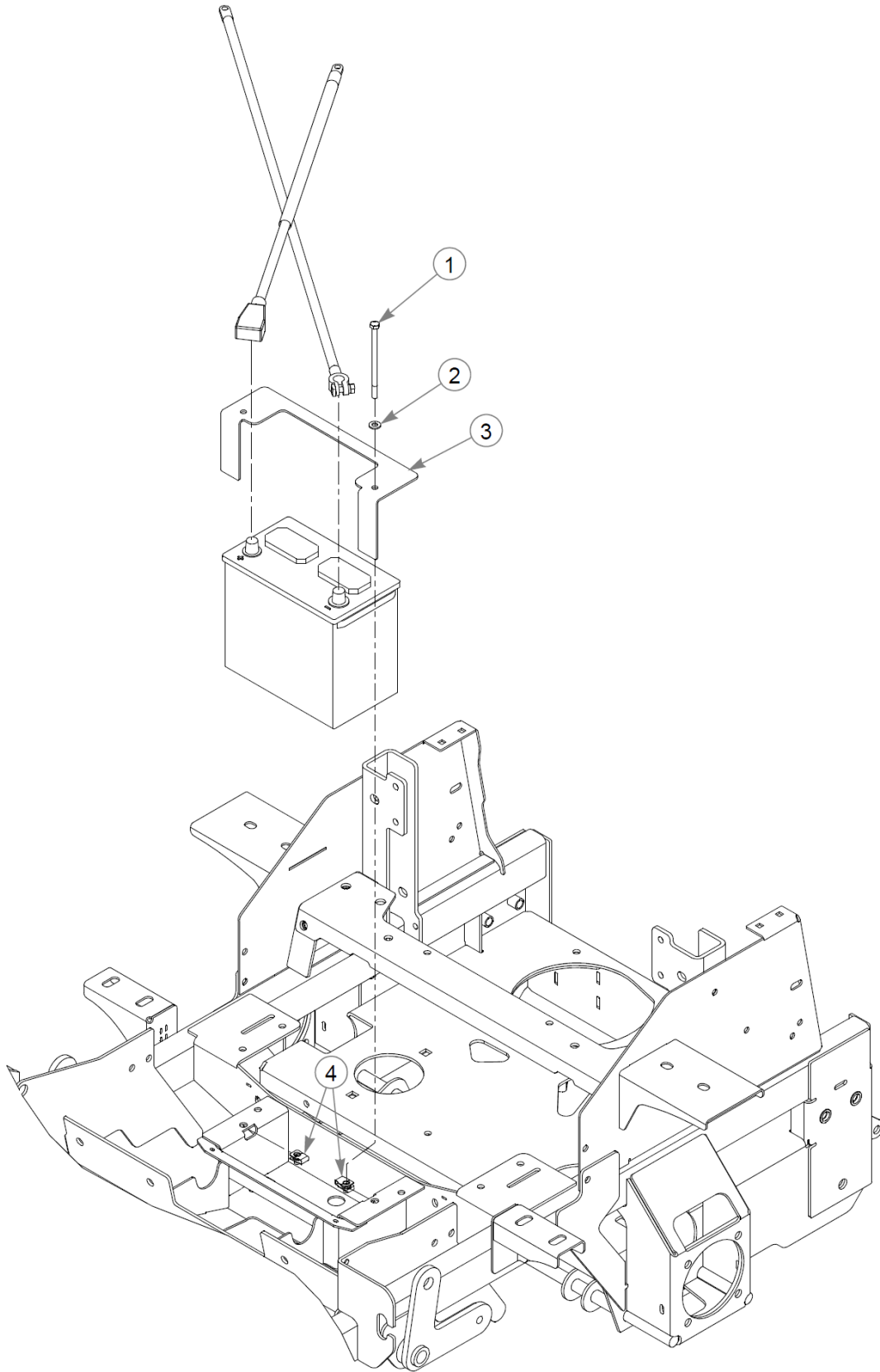
This page intentionally left blank



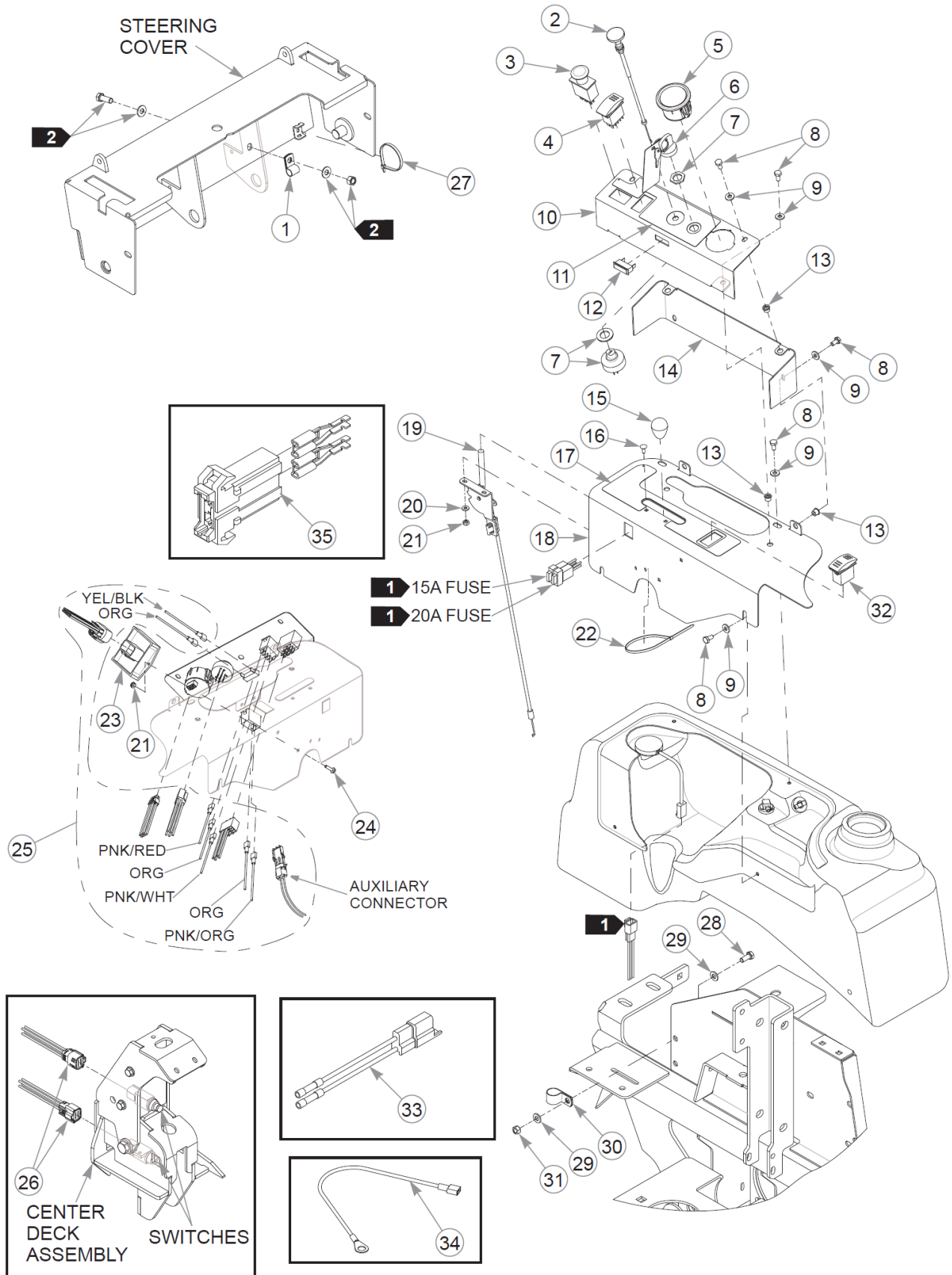
Item	Part No.	Qty	Name
Not Shown	607872	1	FUEL TANK ASM, LH FENDER
1	603888K	1	SVC KIT, FUEL SENDER
2	603888K	1	SVC KIT, FUEL SENDER
Not Shown	608041	1	FUEL GAUGE & SENDER KIT
3	604287K	2	VENT FITTING SVC KIT
4	604200K	1	GROMMET SVC KIT
5	605158K	1	SUCTION HOSE SVC KIT



Item	Part No.	Qty	Name
Not Shown	607873	1	FUEL TANK ASM, RH FENDER
1	608041	1	FUEL GAUGE & SENDER KIT
2	603888K	1	SVC KIT, FUEL SENDER
Not Shown	603889K	1	SVC KIT, TANK GROMMET
3	604287K	2	VENT FITTING SVC KIT
4	604200K	1	GROMMET SVC KIT
5	605158K	1	SUCTION HOSE SVC KIT



Item	Part No.	Qty	Name
1	050823	2	CS .312-18X5.000HXG5
2	768523	2	FW 0.343SAE
3	124387-1	1	BATTERY STRAP, SZ GRP 45
4	601069	2	CN .312-18x.200 MAX THK
5	000331	2	WIRE TIE, SMALL/SHORT

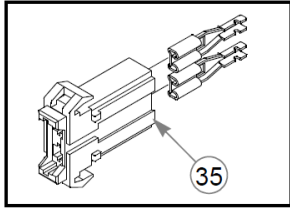
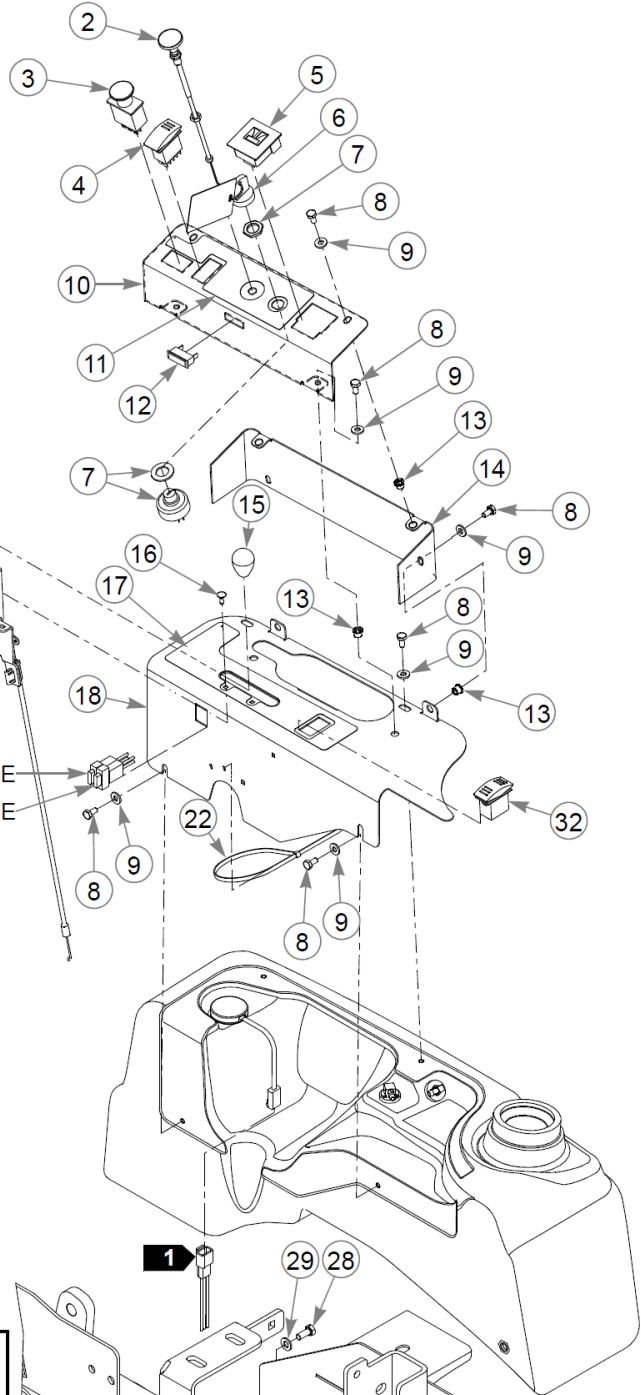
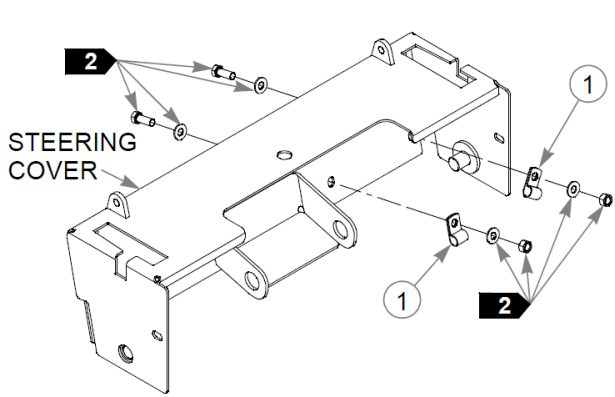


Item	Part No.	Qty	Name
1	000398	2	CLAMP
2	603087	1	CABLE, CHOKE 64.5"
3	776476	1	SWITCH, PTO 6201-321
4	797308	1	SWITCH, ROCKER SPDT
5	606068	1	GAUGE, FUEL/HOURMETER
6	785808	1	KEY ASSEMBLY
7	045898	1	IGNITION SWITCH
8	055947	10	CS .250-20X0.50 HX G5 ZN
9	768515	10	FW 0.281SAE
10	553539	1	SVC S104 INST PANEL
11	604261	1	DECAL, INST.
12	712257	1	INDICATOR LIGHT, RED(FS)
13	808477	6	RIVET NUT, 1/4-20 THREA
14	116815	1	CLOSEOUT, SWITCH
15	603523	1	KNOB
16	601098	2	CB 10-24 X .500 ZYNC
17	604906	1	DECAL, INST PANEL S104
18	551754	1	PANEL, INSTRUMENT
19	603409	1	CABLE, THRTL 60"
20	704932	2	FW 0.219X.50X.05 ZN
21	059832	4	NT #10-24 HX NL ZN
22	000430	1	WIRE TIE, SMALL/LONG
23	604373	1	RELAY CONTROL MODULE
24	063198	2	CS #10-24X0.750FLKG5
25	604093	1	WIRE HARNESS, S104
26	604085	1	WIRE HARNESS, WING
27	000331	11	WIRE TIE, SMALL/SHORT
28	034280	1	CS .312-18X0.750HXG5
29	768523	2	FW 0.343SAE
30	043570	1	CLIP - HOSE - SINGLE(FS)
31	034272	1	NT .312-18HXG5
32	604885	1	SWITCH, ROCKER
33	114052	1	KIT, CLUTCH CONN. REP.
34	604430	1	WIRE HARNESS
35	601047	1	HOLDER, FUSE

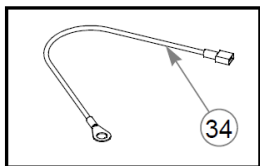
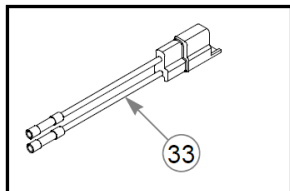
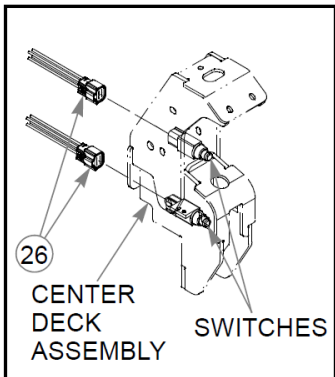
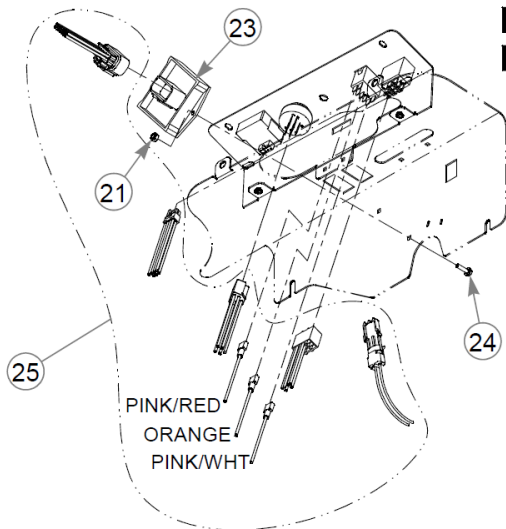
Comments for Page: Instrument Panel - Kawasaki FX1000V - S/N 15120000 & Higher

1. Part of the wire harness.
2. Part of the steering assembly.
3. The instrument panel and switch panel include the decals.

This page intentionally left blank



1 15A FUSE
1 20A FUSE

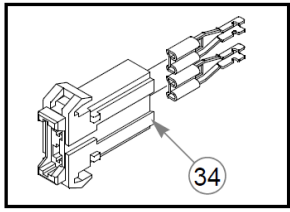
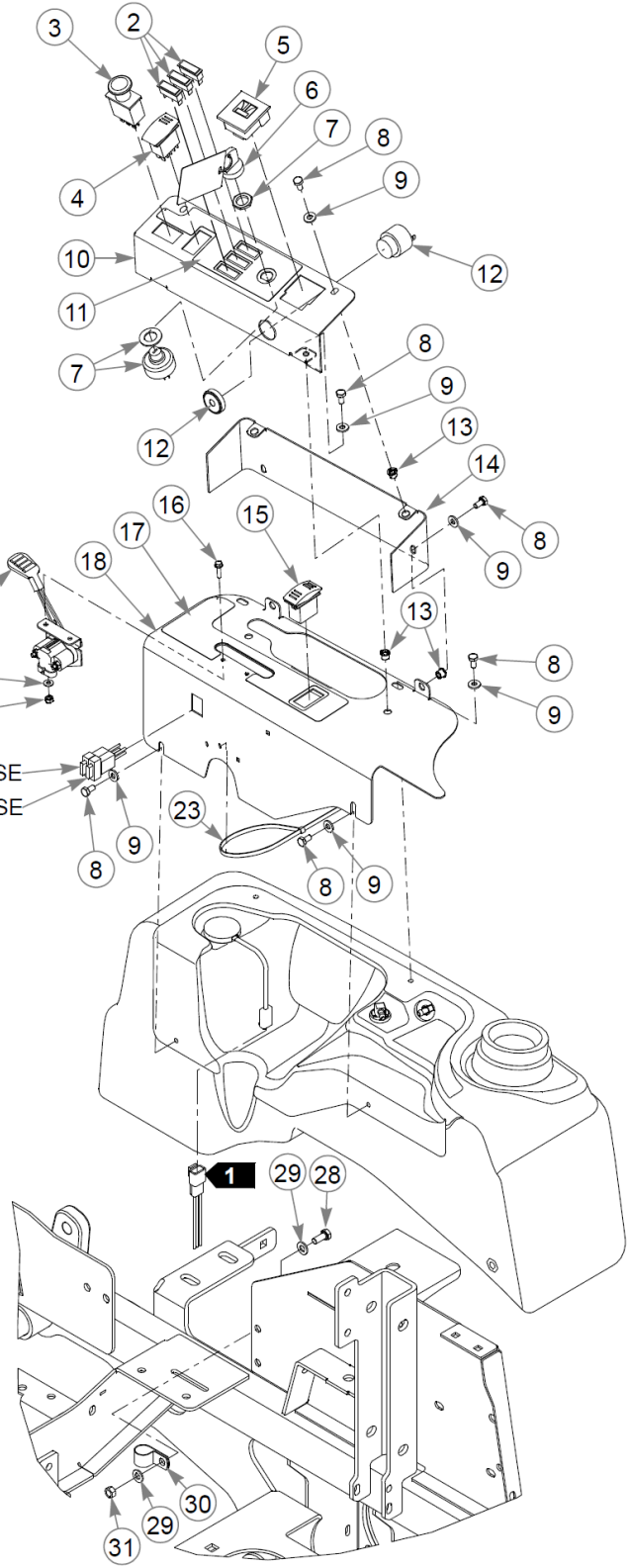
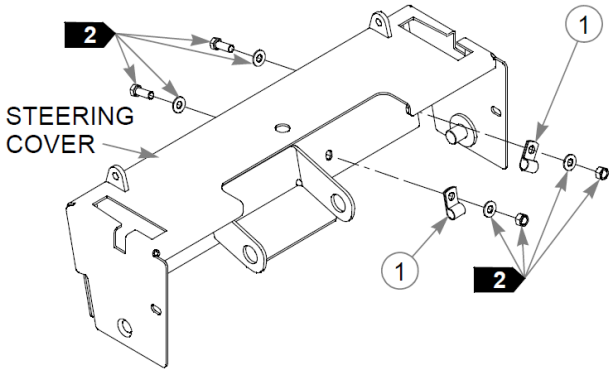


Item	Part No.	Qty	Name
1	000398	4	CLAMP
2	603087	1	CABLE, CHOKE 64.5"
3	776476	1	SWITCH, PTO 6201-321
4	797308	1	SWITCH, ROCKER SPDT
5	603748	1	FUEL DISPLAY/HOUR METER
6	785808	1	KEY ASSEMBLY
7	045898	1	IGNITION SWITCH
8	055947	10	CS .250-20X0.50 HX G5 ZN
9	768515	10	FW 0.281SAE
10	551755	1	PANEL, SWITCH
11	604261	1	DECAL, INST.
12	712257	1	INDICATOR LIGHT, RED(FS)
13	808477	6	RIVET NUT, 1/4-20 THREA
14	116815	1	CLOSEOUT, SWITCH
15	603523	1	KNOB
16	601098	2	CB 10-24 X .500 ZYNC
17	604260	1	DECAL, INST.
18	551754	1	PANEL, INSTRUMENT
19	603409	1	CABLE, THRTL 60"
20	704932	2	FW 0.219X.50X.05 ZN
21	059832	4	NT #10-24 HX NL ZN
22	000430	1	WIRE TIE, SMALL/LONG
23	604373	1	RELAY CONTROL MODULE
24	063198	2	CS #10-24X0.750FLKG5
25	604093	1	WIRE HARNESS, S104
26	604085	1	WIRE HARNESS, WING
27	000331	6	WIRE TIE, SMALL/SHORT
28	034280	1	CS .312-18X0.750HXG5
29	768523	2	FW 0.343SAE
30	043570	1	CLIP - HOSE - SINGLE(FS)
31	034272	1	NT .312-18HXG5
32	604885	1	SWITCH, ROCKER
33	114052	1	KIT, CLUTCH CONN. REP.
34	604430	1	WIRE HARNESS
35	601047	1	HOLDER, FUSE

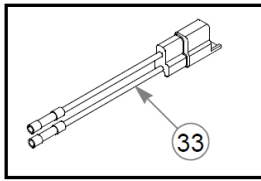
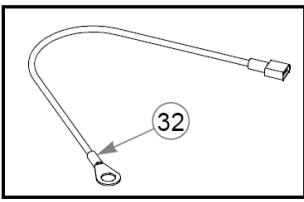
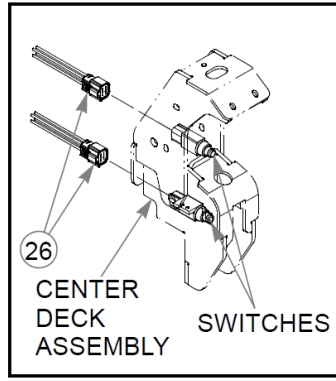
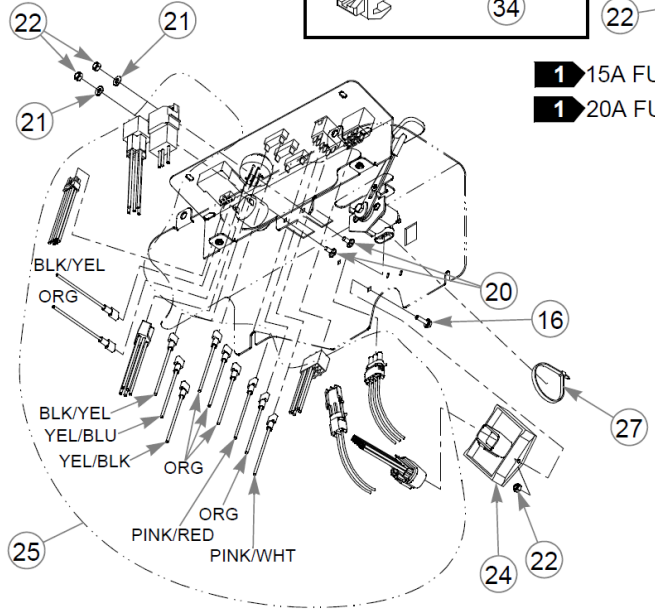
Comments for Page: Instrument Panel - Kawasaki FX1000V - S/N PRIOR TO 15120000

1. Part of the wire harness.
2. Part of the steering assembly.
3. The instrument panel and switch panel include decals.

This page intentionally left blank



- 1** 15A FUSE
- 1** 20A FUSE

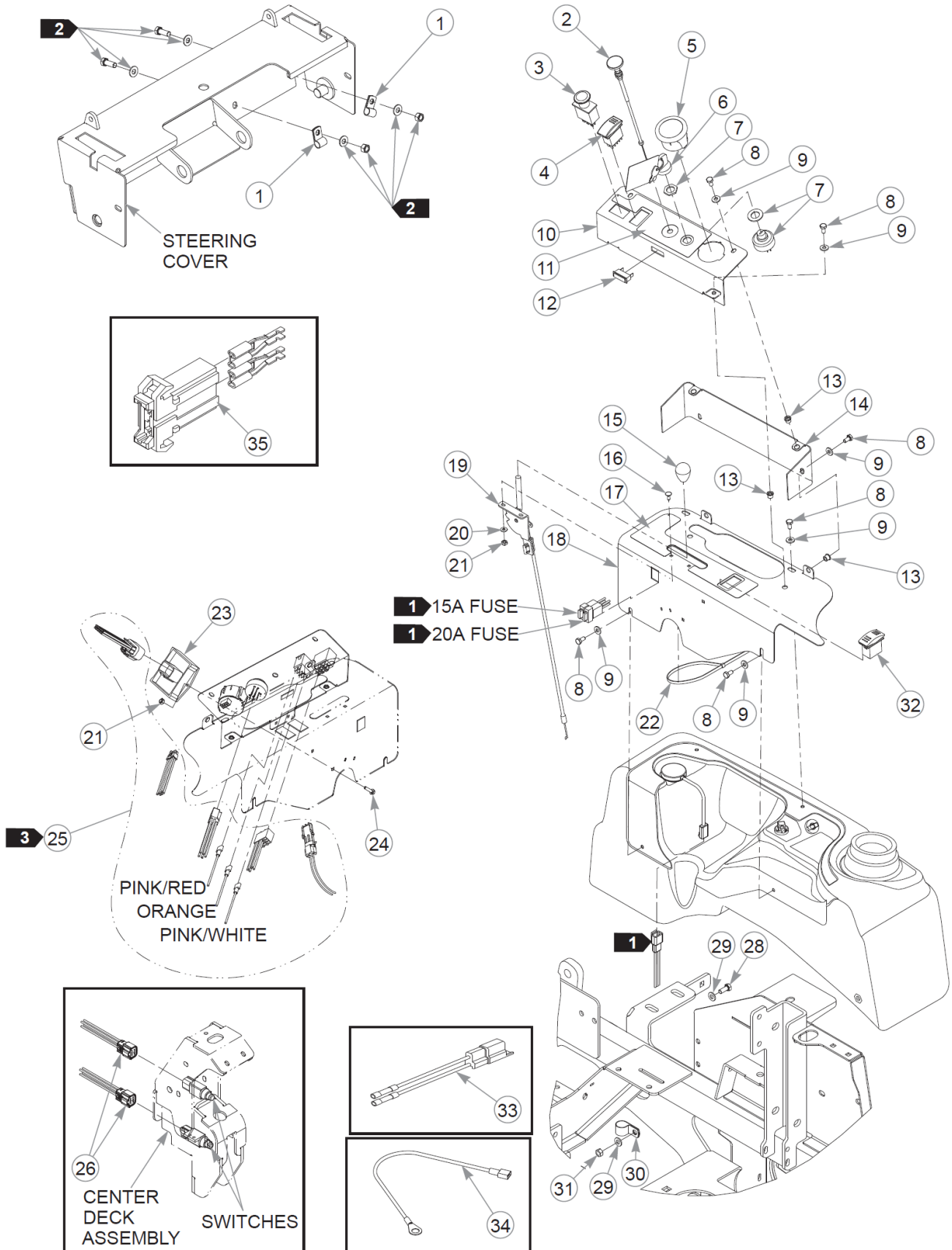


Item	Part No.	Qty	Name
1	000398	4	CLAMP
2	712257	3	INDICATOR LIGHT, RED(FS)
3	776476	1	SWITCH, PTO 6201-321
4	797308	1	SWITCH, ROCKER SPDT
5	603748	1	FUEL DISPLAY/HOUR METER
6	785808	1	KEY ASSEMBLY
7	045898	1	IGNITION SWITCH
8	055947	10	CS .250-20X0.50 HX G5 ZN
9	768515	10	FW 0.281SAE
10	552730	1	SVC, INSTR PANEL LOWER
11	605309	1	DECAL, INST PANEL
12	794347	1	ALARM, ULTRA LOUD WARBL
13	808477	6	RIVET NUT, 1/4-20 THREA
14	116815	1	CLOSEOUT, SWITCH
15	604885	1	SWITCH, ROCKER
16	063198	4	CS #10-24X0.750FLKG5
17	604906	1	DECAL, INST PANEL S104
18	552731	1	SVC, INSTR PANEL
19	604986	1	THROTTLE ASSEMBLY
20	601098	2	CB 10-24 X .500 ZYNC
21	704932	4	FW 0.219X.50X.05 ZN
22	059832	6	NT #10-24 HX NL ZN
23	000430	1	WIRE TIE, SMALL/LONG
24	604373	1	RELAY CONTROL MODULE
25	604829	1	WIRE HARNESS, DFI
26	604085	1	WIRE HARNESS, WING
27	000331	9	WIRE TIE, SMALL/SHORT
28	034280	1	CS .312-18X0.750HXG5
29	768523	2	FW 0.343SAE
30	043570	1	CLIP - HOSE - SINGLE(FS)
31	034272	1	NT .312-18HXG5
32	604430	1	WIRE HARNESS
33	114052	1	KIT, CLUTCH CONN. REP.
34	601047	1	HOLDER, FUSE

Comments for Page: Instrument Panel - Kawasaki FX1000V DFI

1. Part of the wire harness.
2. Part of the steering assembly.
3. The instrument panel and switch panel include decals.

This page intentionally left blank

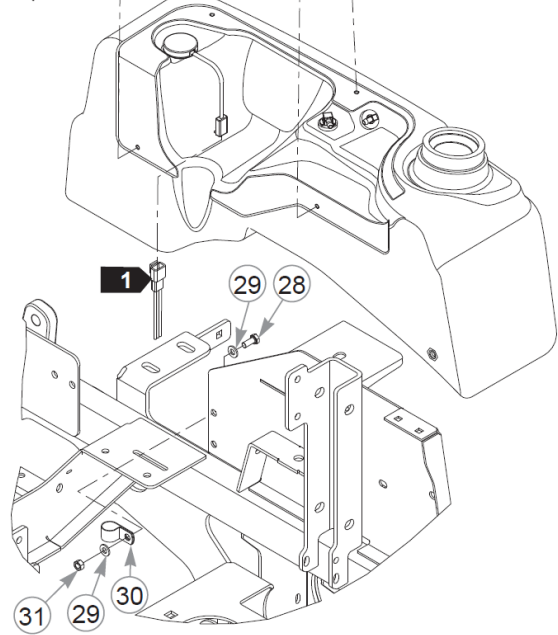
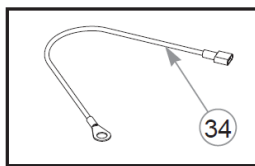
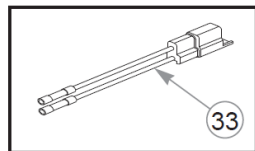
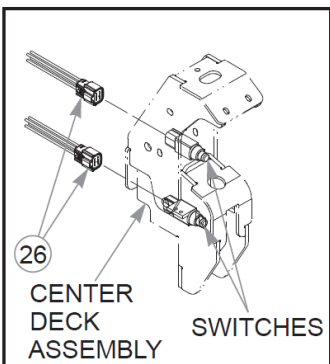
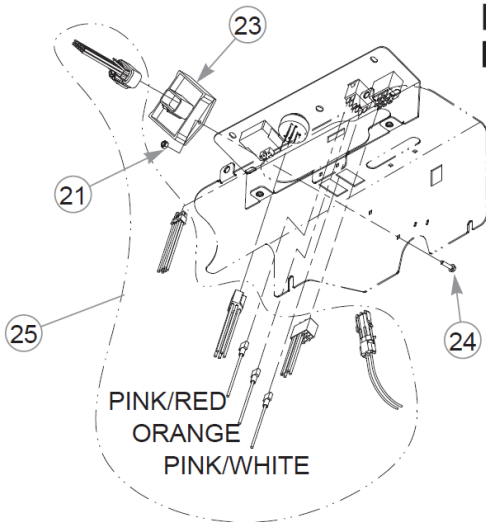
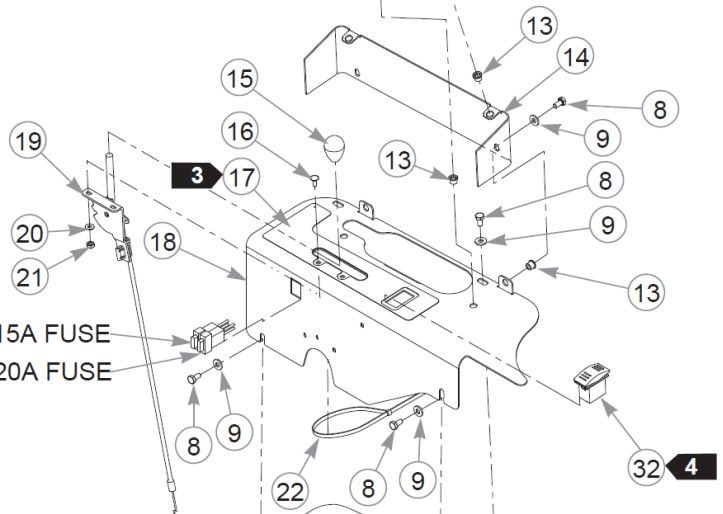
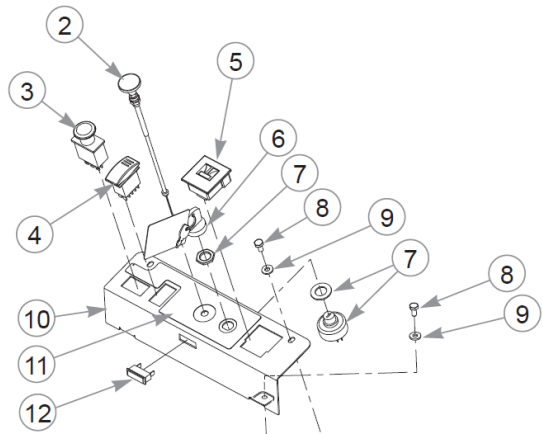
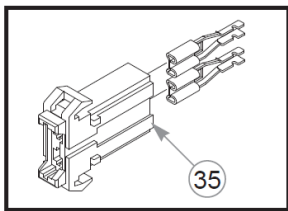
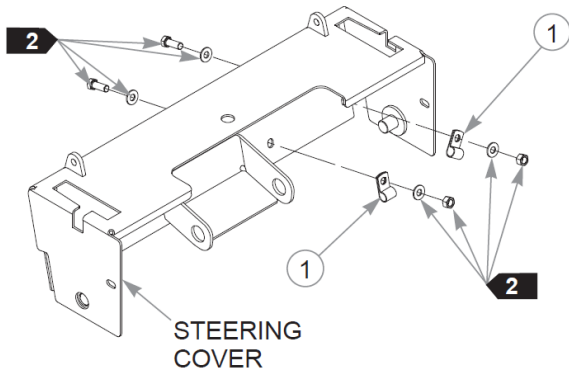


Item	Part No.	Qty	Name
1	000398	4	CLAMP
2	603087	1	CABLE, CHOKE 64.5"
3	776476	1	SWITCH, PTO 6201-321
4	797308	1	SWITCH, ROCKER SPDT
5	606068	1	GAUGE, FUEL/HOURMETER
6	785808	1	KEY ASSEMBLY
7	045898	1	IGNITION SWITCH
8	055947	10	CS .250-20X0.50 HX G5 ZN
9	768515	10	FW 0.281SAE
10	553539	1	SVC S104 INST PANEL
11	604261	1	DECAL, INST.
12	712257	1	INDICATOR LIGHT, RED(FS)
13	808477	6	RIVET NUT, 1/4-20 THREA
14	116815	1	CLOSEOUT, SWITCH
15	603523	1	KNOB
16	601098	2	CB 10-24 X .500 ZYNC
17	604906	1	DECAL, INST PANEL S104
18	551754	1	PANEL, INSTRUMENT
19	604746	1	CABLE, THROTTLE
20	704932	2	FW 0.219X.50X.05 ZN
21	059832	4	NT #10-24 HX NL ZN
22	000430	1	WIRE TIE, SMALL/LONG
23	604373	1	RELAY CONTROL MODULE
24	063198	2	CS #10-24X0.750FLKG5
25	606375	1	WIRE HARNESS, S104
26	604085	1	WIRE HARNESS, WING
27	000331	9	WIRE TIE, SMALL/SHORT
28	034280	1	CS .312-18X0.750HXG5
29	768523	2	FW 0.343SAE
30	043570	1	CLIP - HOSE - SINGLE(FS)
31	034272	1	NT .312-18HXG5
32	604885	1	SWITCH, ROCKER
33	114052	1	KIT, CLUTCH CONN. REP.
34	604430	1	WIRE HARNESS
35	601047	1	HOLDER, FUSE

Comments for Page: Instrument Panel - Vanguard - S/N 15120000 & Higher

1. Part of the wire harness.
2. Part of the steering assembly.
3. The instrument panel and switch panel include the decals.

This page intentionally left blank



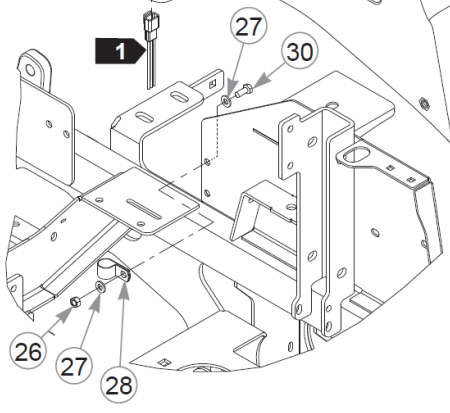
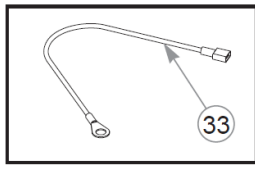
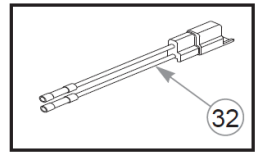
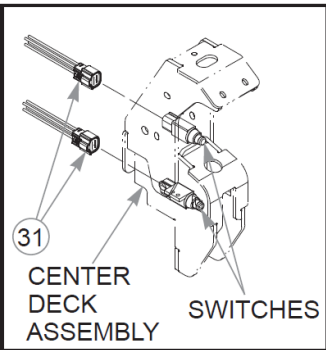
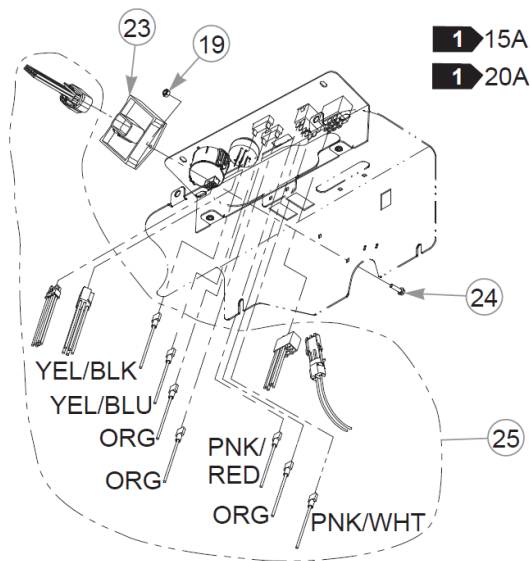
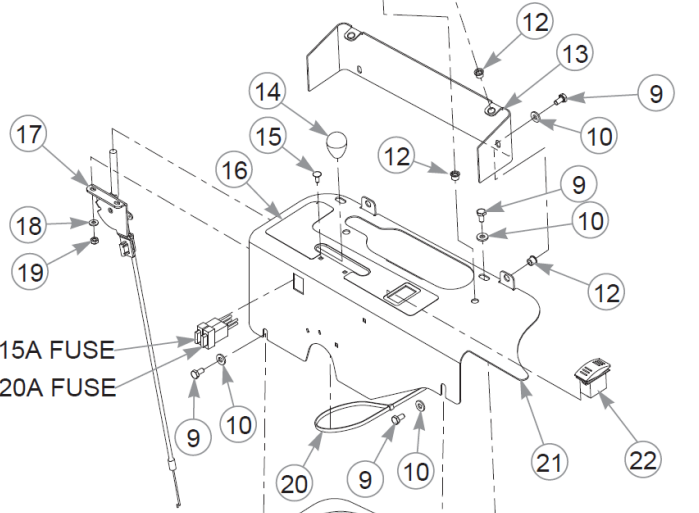
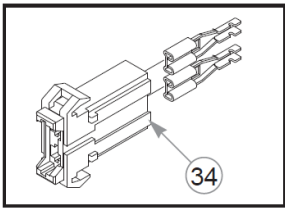
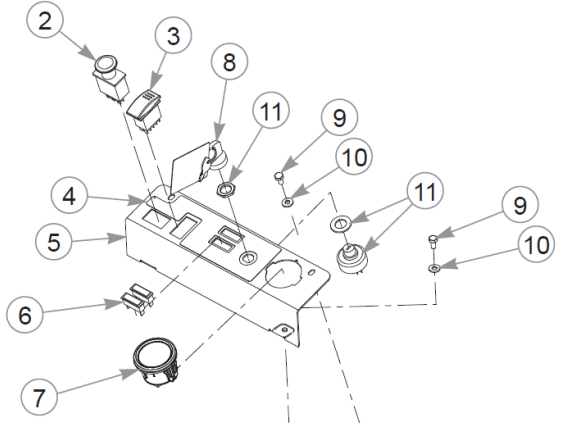
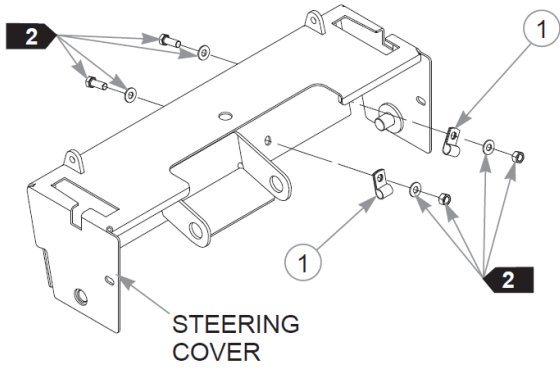
Item	Part No.	Qty	Name
1	000398	4	CLAMP
2	603087	1	CABLE, CHOKE 64.5"
3	776476	1	SWITCH, PTO 6201-321
4	797308	1	SWITCH, ROCKER SPDT
5	603748	1	FUEL DISPLAY/HOUR METER
6	785808	1	KEY ASSEMBLY
7	045898	1	IGNITION SWITCH
8	055947	10	CS .250-20X0.50 HX G5 ZN
9	768515	10	FW 0.281SAE
10	551755	1	PANEL, SWITCH
11	604261	1	DECAL, INST.
12	712257	1	INDICATOR LIGHT, RED(FS)
13	808477	6	RIVET NUT, 1/4-20 THREA
14	116815	1	CLOSEOUT, SWITCH
15	603523	1	KNOB
16	601098	2	CB 10-24 X .500 ZYNC
17	604906	1	DECAL, INST PANEL S104
Not Shown	604260	1	DECAL, INST.
18	551754	1	PANEL, INSTRUMENT
19	604746	1	CABLE, THROTTLE
20	704932	2	FW 0.219X.50X.05 ZN
21	059832	4	NT #10-24 HX NL ZN
22	000430	1	WIRE TIE, SMALL/LONG
23	604373	1	RELAY CONTROL MODULE
24	063198	2	CS #10-24X0.750FLKG5
25	606375	1	WIRE HARNESS, S104
Not Shown	604797	1	WIRE HARNESS, S104
26	604085	1	WIRE HARNESS, WING
27	000331	9	WIRE TIE, SMALL/SHORT
28	034280	1	CS .312-18X0.750HXG5
29	768523	2	FW 0.343SAE
30	043570	1	CLIP - HOSE - SINGLE(FS)
31	034272	1	NT .312-18HXG5
32	604885	1	SWITCH, ROCKER
33	114052	1	KIT, CLUTCH CONN. REP.
34	604430	1	WIRE HARNESS

This page intentionally left blank

Item	Part No.	Qty	Name
35	601047	1	HOLDER, FUSE

Comments for Page: Instrument Panel - Vanguard - S/N PRIOR TO 15120000

1. Part of the wire harness.
2. Part of the steering assembly.
3. 604906 (decal) is used on mowers S/N 13010061 & higher.
604260 is used on mowers S/N prior to 13010061.
4. 606375 (wire harness) is used on mowers S/N 14074423 & higher.
604797 is used on mowers S/N prior to 14074423.
5. 604885 (rocker switch) is used on mowers S/N 13010061 & higher.
6. The switch panel and instrument panel include decals.

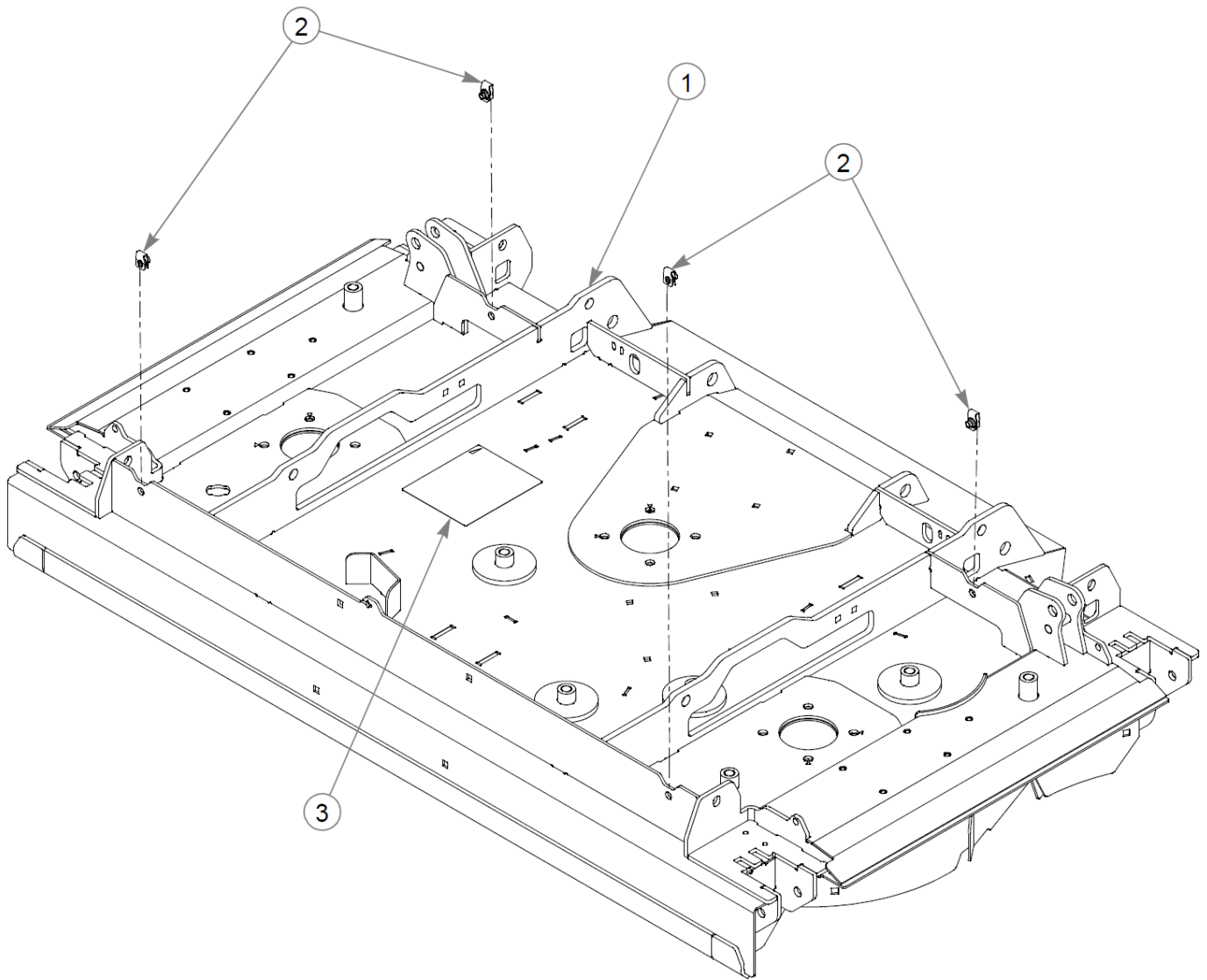


Item	Part No.	Qty	Name
1	000398	4	CLAMP
2	776476	1	SWITCH, PTO 6201-321
3	797308	1	SWITCH, ROCKER SPDT
4	606233	1	DECAL, SWITCH S104
5	553468	1	SVC, INST PANEL
6	712257	2	INDICATOR LIGHT, RED(FS)
7	606068	1	GAUGE, FUEL/HOURMETER
8	785808	1	KEY ASSEMBLY
9	055947	10	CS .250-20X0.50 HX G5 ZN
10	768515	10	FW 0.281SAE
11	045898	1	IGNITION SWITCH
12	808477	6	RIVET NUT, 1/4-20 THREA
13	116815	1	CLOSEOUT, SWITCH
14	603523	1	KNOB
15	601098	2	CB 10-24 X .500 ZYNC
16	604906	1	DECAL, INST PANEL S104
17	606226	1	CABLE ASSY, THROTTLE 47"
18	704932	2	FW 0.219X.50X.05 ZN
19	059832	4	NT #10-24 HX NL ZN
20	000430	1	WIRE TIE, SMALL/LONG
21	551754	1	PANEL, INSTRUMENT
22	604885	1	SWITCH, ROCKER
23	604373	1	RELAY CONTROL MODULE
24	063198	2	CS #10-24X0.750FLKG5
25	606375	1	WIRE HARNESS, S104
Not Shown	604797	1	WIRE HARNESS, S104
26	034272	1	NT .312-18HXG5
27	768523	2	FW 0.343SAE
28	043570	1	CLIP - HOSE - SINGLE(FS)
29	000331	8	WIRE TIE, SMALL/SHORT
30	034280	1	CS .312-18X0.750HXG5
31	604085	1	WIRE HARNESS, WING
32	114052	1	KIT, CLUTCH CONN. REP.
33	604430	1	WIRE HARNESS
34	601047	1	HOLDER, FUSE

Comments for Page: Instrument Panel - Vanguard EFI

1. Part of the wire harness.
2. Part of the steering assembly.
3. The switch panel (553468) and instrument panel (551754) include decals.
4. 606375 is used on mowers S/N 16062882 & higher. 604797 is used on mowers S/N prior to 16062882.

This page intentionally left blank



Item	Part No.	Qty	Name
1	551822	1	S104 CENTER SERVICE DECK
2	601069	4	CN .312-18x.200 MAX THK
3	604276	1	DECAL, BELT ROUTING

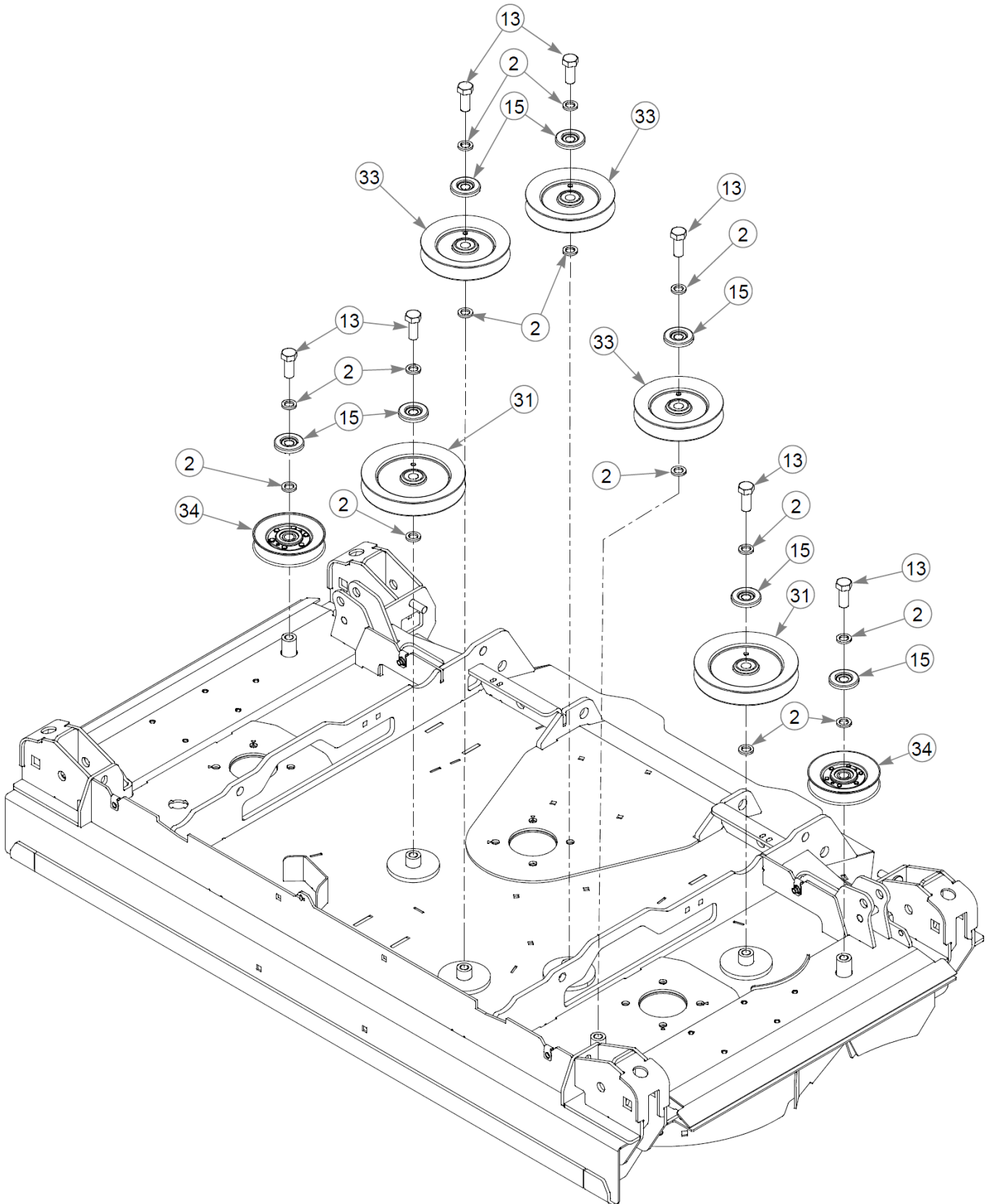
Comments for Page: Center Service Deck

- 1. Deck includes decal & hardware.

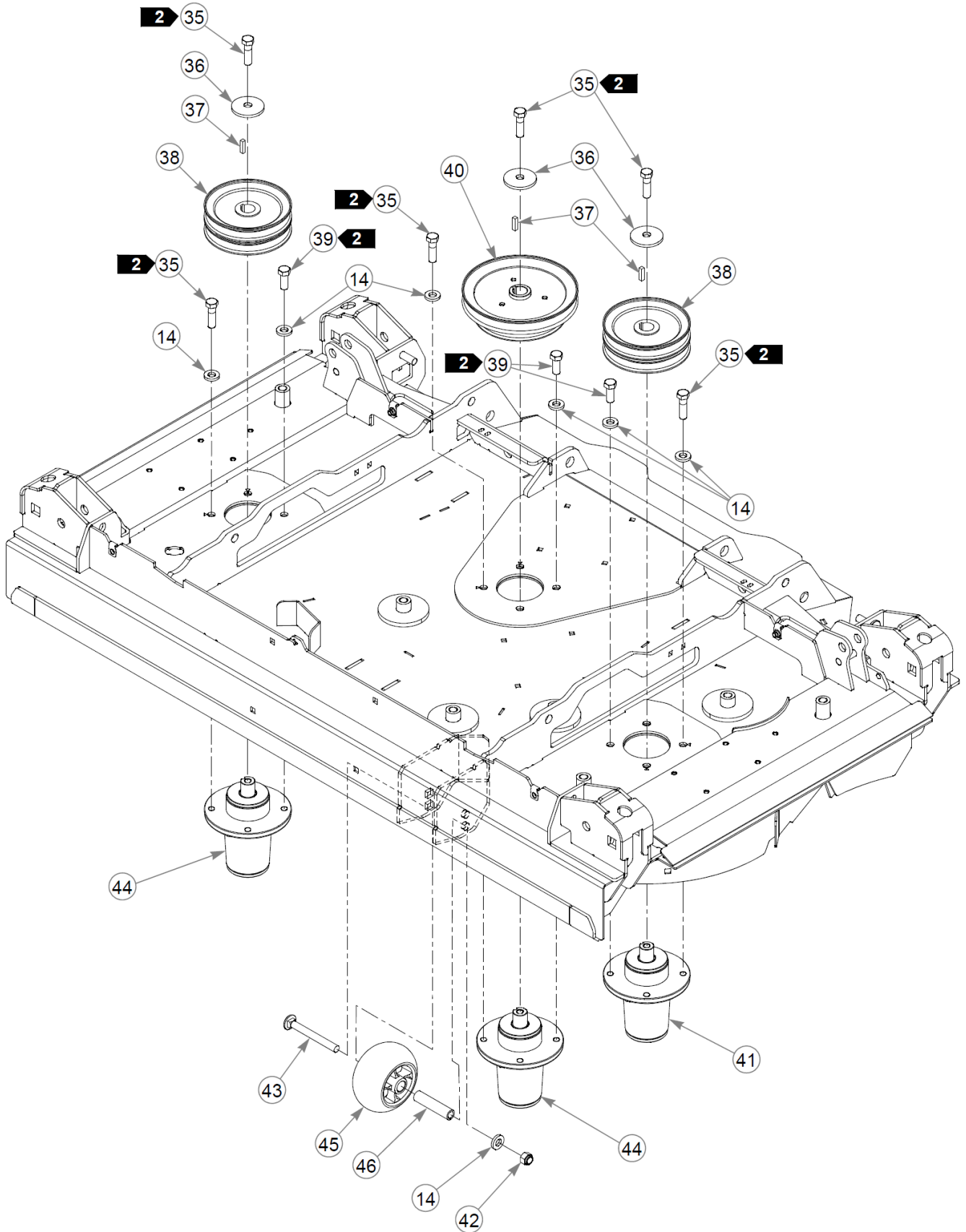
Item	Part No.	Qty	Name
1	016642	1	CS .625-11X2.000HXG5
2	028118	22	FW 0.625X1.00X.13 ZN
3	608144	1	SHIELD, DUST
4	602821	1	IDLER, 6.0" COMMERCIAL
5	119480	1	BELT GUIDE W/A
6	604251	10	NT .312-18 HXNL JAM G2ZN
7	768523	12	FW 0.343SAE
8	603750	4	IDLER SLIDE, SHORT
9	606149	1	SB .625 X 2.00 SH.50-13
10	123561	1	IDLER SLED W/A
11	781302	2	IDLER SPRING
12	259812	1	CHAIN, 13 LINK
13	794446	10	CS .625-11X1.500HXG5
14	767962	17	FW .531 x 1.063 x .175
15	603057	10	DUST SHIELD W/OFFSET
16	603784	2	IDLER, FLAT 4.0" DEEP
17	117576	2	IDLER SLED W/A, WING
18	604086	8	CS .312-18X1.00 FLTSH ZN
19	601619	4	IDLER SLIDE UHMW RT & LT
20	061101	2	NT .750-10 HX ZN NL GR B
21	025296	4	FW .760X1.63X0.08 ZN
22	116105	2	DECK PUSHER W/A
23	015495	2	GREASE FITTING STRAIGHT
24	350884	1	SLIDE, DECK IDLER
25	041475	2	CS .750-10X9.50 HX G5 ZN
26	058776	2	NT .312-18NLG5
27	116546	1	CATCH, TENSIONER SPRING
28	037887	2	CB .312-18X 1.000 FUL ZN
29	016253	6	CB .312-18X .750 FUL ZN
30	364315	1	CHAIN, 7 LINK
31	796714	3	PULLEY, 6" HB IDLER RD
32	602827	2	CB .312-18X 1.250 ZN

Comments for Page: Center Deck Idler Slides—S/N 15096976 & Higher

1. On mowers S/N prior to 16083308, when ordering 123561, Idler Sled, order (1) of 606149.



Item	Part No.	Qty	Name
1	016642	1	CS .625-11X2.000HXG5
2	028118	22	FW 0.625X1.00X.13 ZN
3	608144	1	SHIELD, DUST
4	602821	1	IDLER, 6.0" COMMERCIAL
5	119480	1	BELT GUIDE W/A
6	604251	10	NT .312-18 HXNL JAM G2ZN
7	768523	12	FW 0.343SAE
8	603750	4	IDLER SLIDE, SHORT
9	606149	1	SB .625 X 2.00 SH.50-13
10	123561	1	IDLER SLED W/A
11	781302	2	IDLER SPRING
12	259812	1	CHAIN, 13 LINK
13	794446	10	CS .625-11X1.500HXG5
14	767962	17	FW .531 x 1.063 x .175
15	603057	10	DUST SHIELD W/OFFSET
16	603784	2	IDLER, FLAT 4.0" DEEP
17	117576	2	IDLER SLED W/A, WING
18	604086	8	CS .312-18X1.00 FLTSH ZN
19	601619	4	IDLER SLIDE UHMW RT & LT
20	061101	2	NT .750-10 HX ZN NL GR B
21	025296	4	FW .760X1.63X0.08 ZN
22	116105	2	DECK PUSHER W/A
23	015495	2	GREASE FITTING STRAIGHT
24	350884	1	SLIDE, DECK IDLER
25	041475	2	CS .750-10X9.50 HX G5 ZN
26	058776	2	NT .312-18NLG5
27	116546	1	CATCH, TENSIONER SPRING
28	037887	2	CB .312-18X 1.000 FUL ZN
29	016253	6	CB .312-18X .750 FUL ZN
30	364315	1	CHAIN, 7 LINK
31	796714	3	PULLEY, 6" HB IDLER RD
32	602827	2	CB .312-18X 1.250 ZN
33	602672	3	PULLEY, V-IDLER HBB 5.0"
34	605978	2	PULLEY, SPLIT IDLER



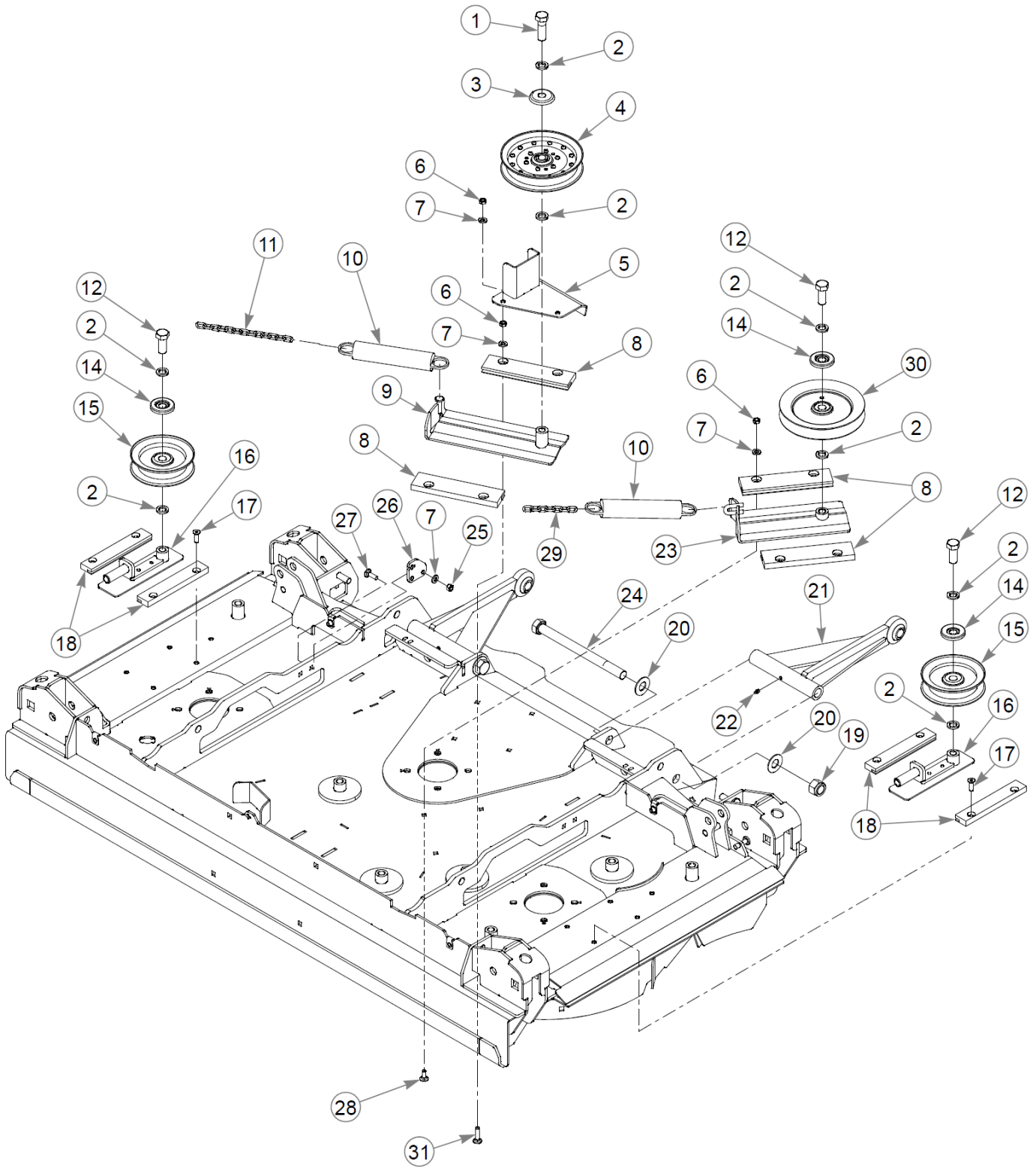
Item	Part No.	Qty	Name
1	016642	1	CS .625-11X2.000HXG5
2	028118	22	FW 0.625X1.00X.13 ZN
3	608144	1	SHIELD, DUST
4	602821	1	IDLER, 6.0" COMMERCIAL
5	119480	1	BELT GUIDE W/A
6	604251	10	NT .312-18 HXNL JAM G2ZN
7	768523	12	FW 0.343SAE
8	603750	4	IDLER SLIDE, SHORT
9	606149	1	SB .625 X 2.00 SH.50-13
10	123561	1	IDLER SLED W/A
11	781302	2	IDLER SPRING
12	259812	1	CHAIN, 13 LINK
13	794446	10	CS .625-11X1.500HXG5
14	767962	17	FW .531 x 1.063 x .175
15	603057	10	DUST SHIELD W/OFFSET
16	603784	2	IDLER, FLAT 4.0" DEEP
17	117576	2	IDLER SLED W/A, WING
18	604086	8	CS .312-18X1.00 FLTSH ZN
19	601619	4	IDLER SLIDE UHMW RT & LT
20	061101	2	NT .750-10 HX ZN NL GR B
21	025296	4	FW .760X1.63X0.08 ZN
22	116105	2	DECK PUSHER W/A
23	015495	2	GREASE FITTING STRAIGHT
24	350884	1	SLIDE, DECK IDLER
25	041475	2	CS .750-10X9.50 HX G5 ZN
26	058776	2	NT .312-18NLG5
27	116546	1	CATCH, TENSIONER SPRING
28	037887	2	CB .312-18X 1.000 FUL ZN
29	016253	6	CB .312-18X .750 FUL ZN
30	364315	1	CHAIN, 7 LINK
31	796714	3	PULLEY, 6" HB IDLER RD
32	602827	2	CB .312-18X 1.250 ZN
33	602672	3	PULLEY, V-IDLER HBB 5.0"
34	605978	2	PULLEY, SPLIT IDLER
35	017616	9	CS .500-13X1.750HXG5
36	752386	3	CW .505 X 1.625 X .140

This page intentionally left blank

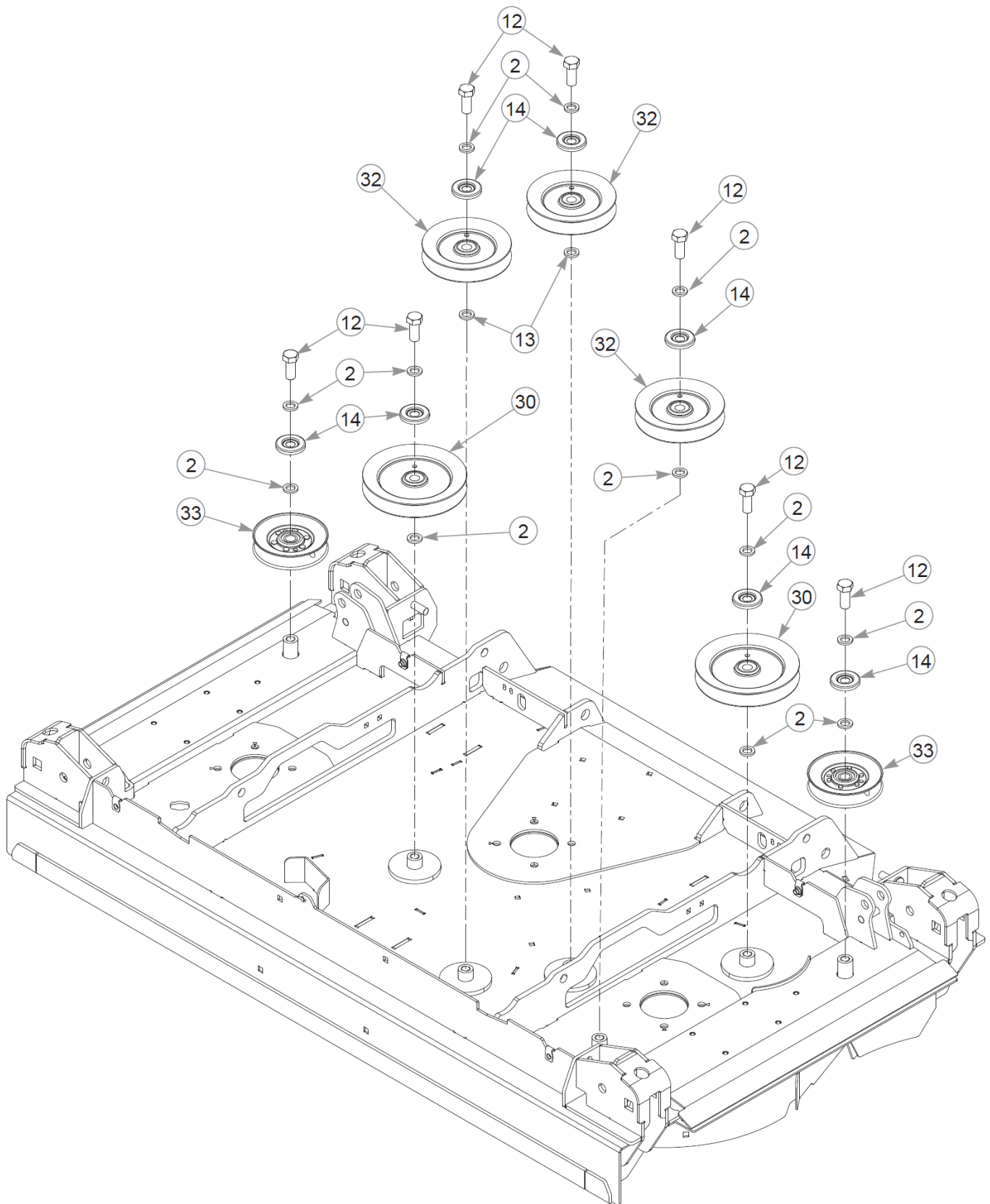
Item	Part No.	Qty	Name
37	212472	3	KEY 1/4 SQ X 1.00 LG(FS)
38	524785	2	PULLEY, (711499) PTED B
39	705954	6	CS .500-13X1.25 HX G5 ZN
40	604036	1	PULLEY, DOUBLE DRIVE
41	607408	1	SPINDLE ASSY, DUCTILE
42	781567	5	NT .500-13NLG5
43	602339	5	CB .50-13 X 4.50 STD ZN
44	607407	2	SPINDLE ASSY, DUCTILE
45	602263	5	WHEEL, ANTI-SCALP
46	602345	5	SPACER, ANTI-SCALP 3.22

Comments for Page: Center Deck Pulleys & Spindles—S/N 15096976 & Higher

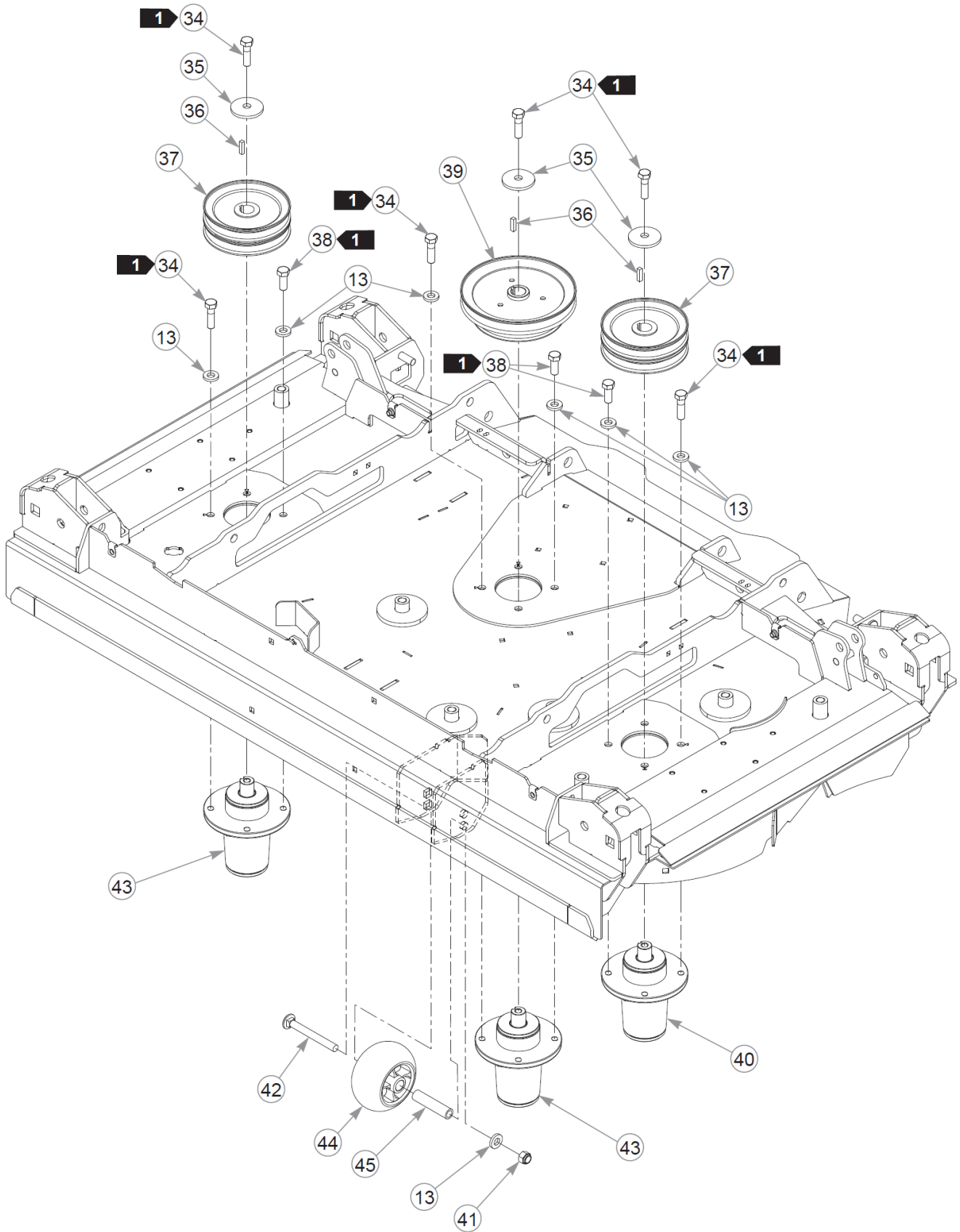
2. Torque to 65–75 ft-lbs.



Item	Part No.	Qty	Name
1	016642	1	CS .625-11X2.000HXG5
2	028118	22	FW 0.625X1.00X.13 ZN
3	608144	1	SHIELD, DUST
4	602821	1	IDLER, 6.0" COMMERCIAL
5	119480	1	BELT GUIDE W/A
6	604251	10	NT .312-18 HXNL JAM G2ZN
7	768523	12	FW 0.343SAE
8	603750	4	IDLER SLIDE, SHORT
9	123563	1	BELT GUIDE KIT
10	781302	2	IDLER SPRING
11	259812	1	CHAIN, 13 LINK
12	794446	10	CS .625-11X1.500HXG5
13	767962	17	FW .531 x 1.063 x .175
14	603057	10	DUST SHIELD W/OFFSET
15	603784	2	IDLER, FLAT 4.0" DEEP
16	117576	2	IDLER SLED W/A, WING
17	604086	8	CS .312-18X1.00 FLTSH ZN
18	601619	4	IDLER SLIDE UHMW RT & LT
19	061101	2	NT .750-10 HX ZN NL GR B
20	025296	4	FW .760X1.63X0.08 ZN
21	116105	2	DECK PUSHER W/A
22	015495	2	GREASE FITTING STRAIGHT
23	350884	1	SLIDE, DECK IDLER
24	041475	2	CS .750-10X9.50 HX G5 ZN
25	058776	2	NT .312-18NLG5
26	116546	1	CATCH, TENSIONER SPRING
27	037887	2	CB .312-18X 1.000 FUL ZN
28	016253	6	CB .312-18X .750 FUL ZN
29	364315	1	CHAIN, 7 LINK
30	796714	3	PULLEY, 6" HB IDLER RD
31	602827	2	CB .312-18X 1.250 ZN



Item	Part No.	Qty	Name
1	016642	1	CS .625-11X2.000HXG5
2	028118	22	FW 0.625X1.00X.13 ZN
3	608144	1	SHIELD, DUST
4	602821	1	IDLER, 6.0" COMMERCIAL
5	119480	1	BELT GUIDE W/A
6	604251	10	NT .312-18 HXNL JAM G2ZN
7	768523	12	FW 0.343SAE
8	603750	4	IDLER SLIDE, SHORT
9	123563	1	BELT GUIDE KIT
10	781302	2	IDLER SPRING
11	259812	1	CHAIN, 13 LINK
12	794446	10	CS .625-11X1.500HXG5
13	767962	17	FW .531 x 1.063 x .175
14	603057	10	DUST SHIELD W/OFFSET
15	603784	2	IDLER, FLAT 4.0" DEEP
16	117576	2	IDLER SLED W/A, WING
17	604086	8	CS .312-18X1.00 FLTSH ZN
18	601619	4	IDLER SLIDE UHMW RT & LT
19	061101	2	NT .750-10 HX ZN NL GR B
20	025296	4	FW .760X1.63X0.08 ZN
21	116105	2	DECK PUSHER W/A
22	015495	2	GREASE FITTING STRAIGHT
23	350884	1	SLIDE, DECK IDLER
24	041475	2	CS .750-10X9.50 HX G5 ZN
25	058776	2	NT .312-18NLG5
26	116546	1	CATCH, TENSIONER SPRING
27	037887	2	CB .312-18X 1.000 FUL ZN
28	016253	6	CB .312-18X .750 FUL ZN
29	364315	1	CHAIN, 7 LINK
30	796714	3	PULLEY, 6" HB IDLER RD
31	602827	2	CB .312-18X 1.250 ZN
32	602672	3	PULLEY, V-IDLER HBB 5.0"
33	605978	2	PULLEY, SPLIT IDLER



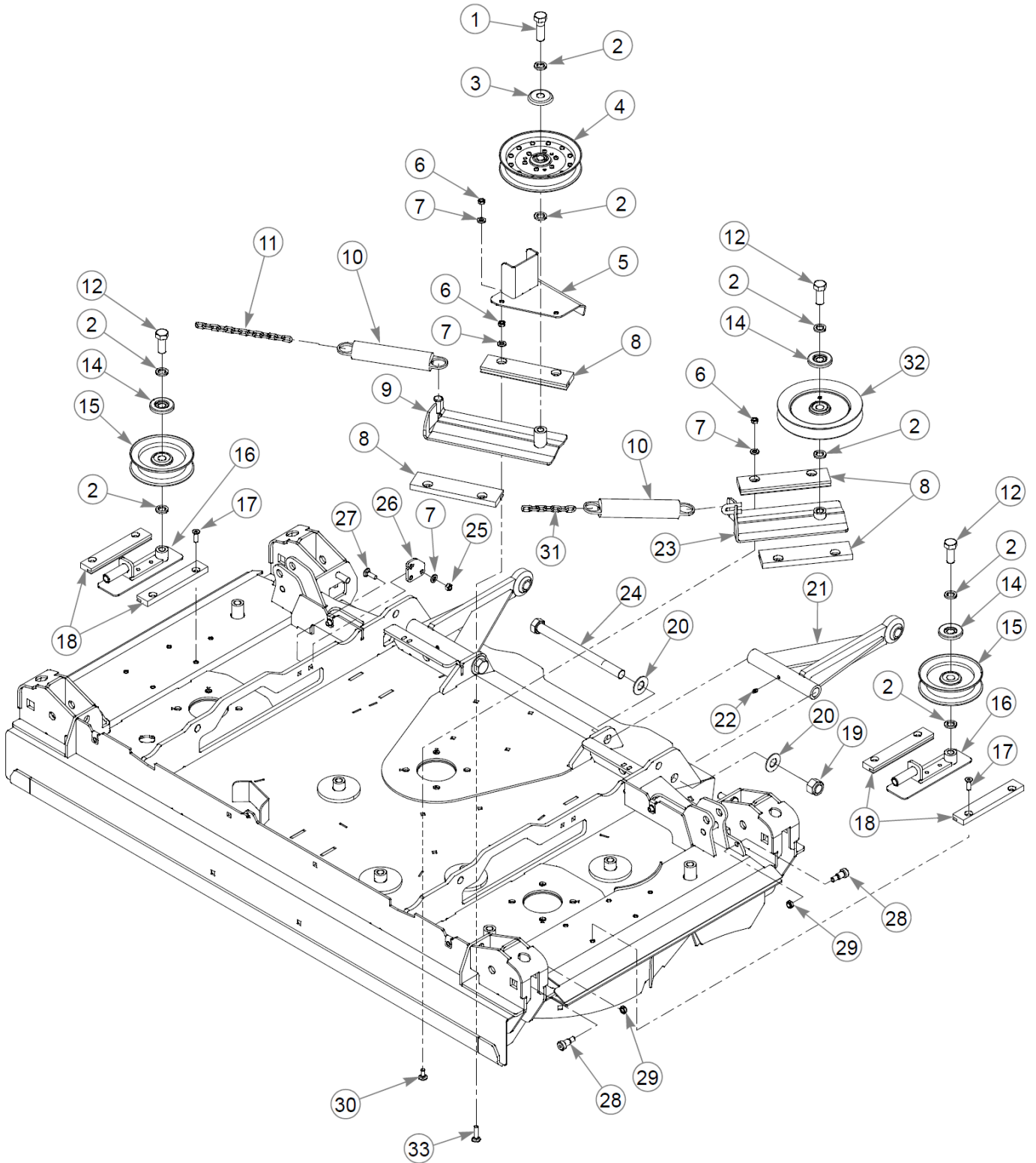
Item	Part No.	Qty	Name
1	016642	1	CS .625-11X2.000HXG5
2	028118	22	FW 0.625X1.00X.13 ZN
3	608144	1	SHIELD, DUST
4	602821	1	IDLER, 6.0" COMMERCIAL
5	119480	1	BELT GUIDE W/A
6	604251	10	NT .312-18 HXNL JAM G2ZN
7	768523	12	FW 0.343SAE
8	603750	4	IDLER SLIDE, SHORT
9	123563	1	BELT GUIDE KIT
10	781302	2	IDLER SPRING
11	259812	1	CHAIN, 13 LINK
12	794446	10	CS .625-11X1.500HXG5
13	767962	17	FW .531 x 1.063 x .175
14	603057	10	DUST SHIELD W/OFFSET
15	603784	2	IDLER, FLAT 4.0" DEEP
16	117576	2	IDLER SLED W/A, WING
17	604086	8	CS .312-18X1.00 FLTSH ZN
18	601619	4	IDLER SLIDE UHMW RT & LT
19	061101	2	NT .750-10 HX ZN NL GR B
20	025296	4	FW .760X1.63X0.08 ZN
21	116105	2	DECK PUSHER W/A
22	015495	2	GREASE FITTING STRAIGHT
23	350884	1	SLIDE, DECK IDLER
24	041475	2	CS .750-10X9.50 HX G5 ZN
25	058776	2	NT .312-18NLG5
26	116546	1	CATCH, TENSIONER SPRING
27	037887	2	CB .312-18X 1.000 FUL ZN
28	016253	6	CB .312-18X .750 FUL ZN
29	364315	1	CHAIN, 7 LINK
30	796714	3	PULLEY, 6" HB IDLER RD
31	602827	2	CB .312-18X 1.250 ZN
32	602672	3	PULLEY, V-IDLER HBB 5.0"
33	605978	2	PULLEY, SPLIT IDLER
34	017616	9	CS .500-13X1.750HXG5
35	752386	3	CW .505 X 1.625 X .140
36	212472	3	KEY 1/4 SQ X 1.00 LG(FS)

This page intentionally left blank

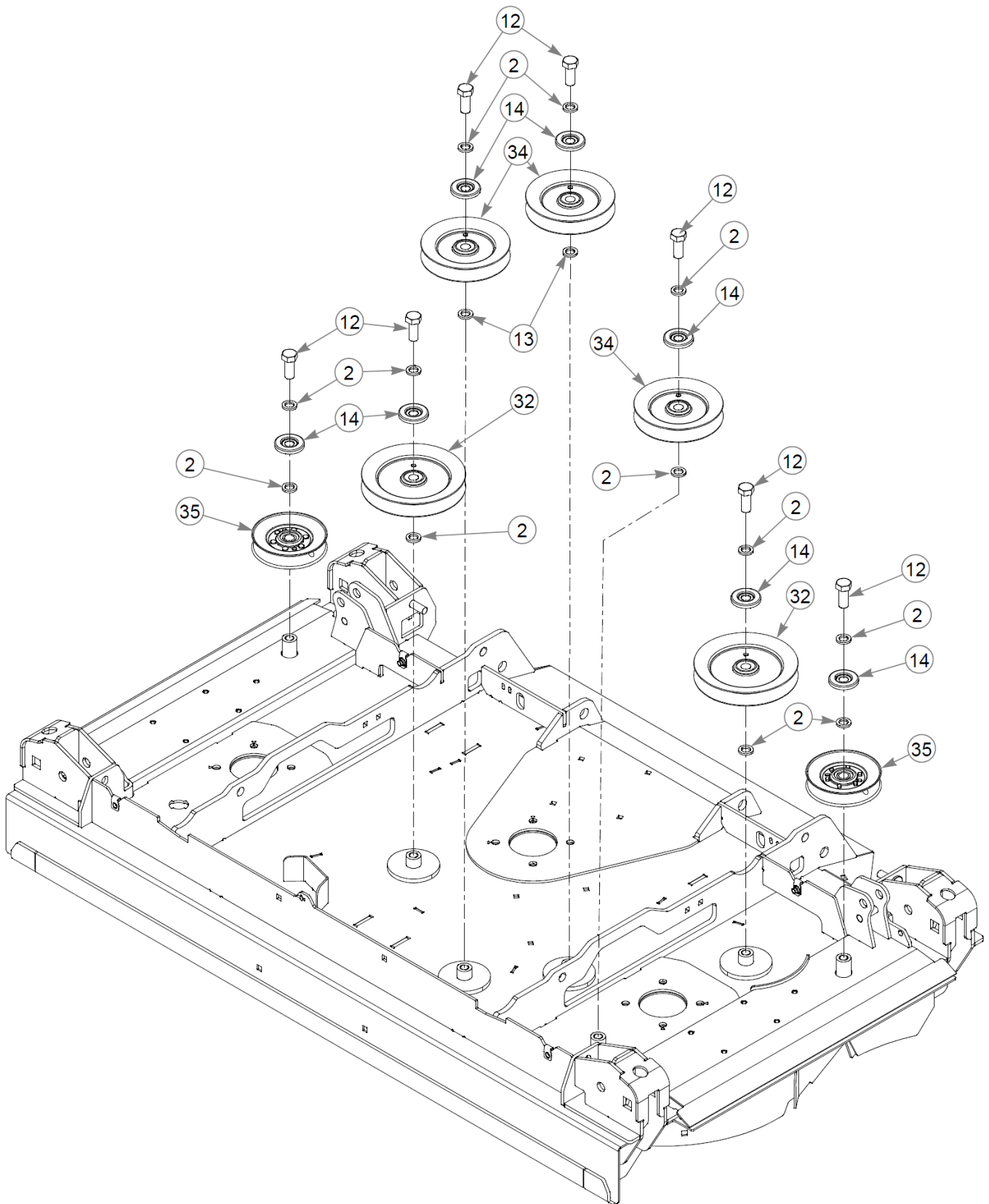
Item	Part No.	Qty	Name
37	524785	2	PULLEY, (711499) PTED B
38	705954	6	CS .500-13X1.25 HX G5 ZN
39	604036	1	PULLEY, DOUBLE DRIVE
40	607408	1	SPINDLE ASSY, DUCTILE
41	781567	5	NT .500-13NLG5
42	602339	5	CB .50-13 X 4.50 STD ZN
43	607407	2	SPINDLE ASSY, DUCTILE
44	602263	5	WHEEL, ANTI-SCALP
45	602345	5	SPACER, ANTI-SCALP 3.22

Comments for Page: Center Deck Pulleys & Spindles - S/N 15038417 to 15096975

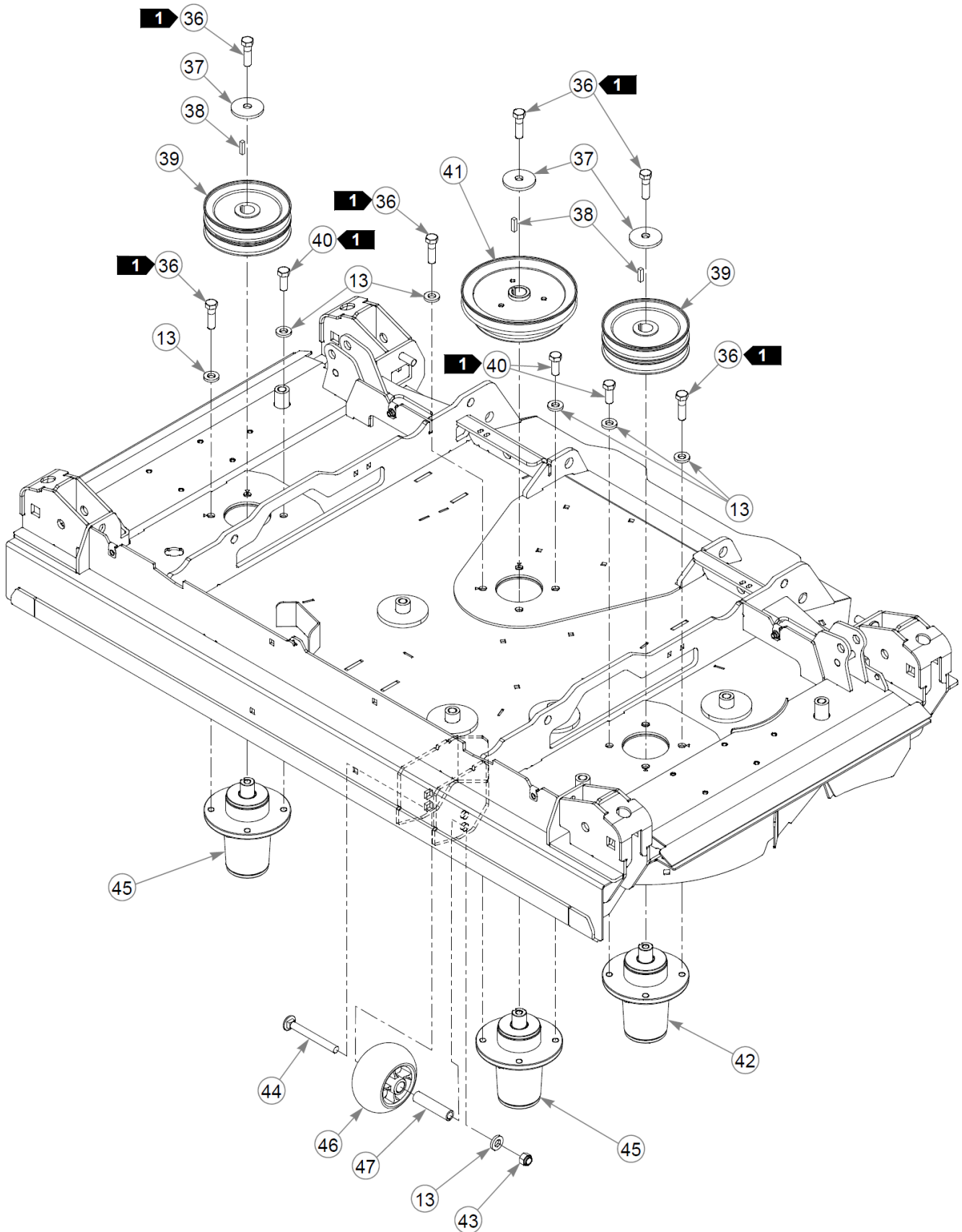
1. Torque to 65–75 ft-lbs.



Item	Part No.	Qty	Name
1	016642	1	CS .625-11X2.000HXG5
2	028118	22	FW 0.625X1.00X.13 ZN
3	608144	1	SHIELD, DUST
4	602821	1	IDLER, 6.0" COMMERCIAL
5	119480	1	BELT GUIDE W/A
6	604251	10	NT .312-18 HXNL JAM G2ZN
7	768523	12	FW 0.343SAE
8	603750	4	IDLER SLIDE, SHORT
9	123563	1	BELT GUIDE KIT
10	781302	2	IDLER SPRING
11	259812	1	CHAIN, 13 LINK
12	794446	10	CS .625-11X1.500HXG5
13	767962	17	FW .531 x 1.063 x .175
14	603057	10	DUST SHIELD W/OFFSET
15	603784	2	IDLER, FLAT 4.0" DEEP
16	117576	2	IDLER SLED W/A, WING
17	604086	8	CS .312-18X1.00 FLTSH ZN
18	601619	4	IDLER SLIDE UHMW RT & LT
19	061101	2	NT .750-10 HX ZN NL GR B
20	025296	4	FW .760X1.63X0.08 ZN
21	116105	2	DECK PUSHER W/A
22	015495	2	GREASE FITTING STRAIGHT
23	350884	1	SLIDE, DECK IDLER
24	041475	2	CS .750-10X9.50 HX G5 ZN
25	058776	2	NT .312-18NLG5
26	116546	1	CATCH, TENSIONER SPRING
27	037887	2	CB .312-18X 1.000 FUL ZN
28	060541	4	SB0.500X0.625SH0.375-16
29	603846	4	NT .375-16 HX NL JAM ZN
30	016253	6	CB .312-18X .750 FUL ZN
31	364315	1	CHAIN, 7 LINK
32	796714	3	PULLEY, 6" HB IDLER RD
33	602827	2	CB .312-18X 1.250 ZN



Item	Part No.	Qty	Name
1	016642	1	CS .625-11X2.000HXG5
2	028118	22	FW 0.625X1.00X.13 ZN
3	608144	1	SHIELD, DUST
4	602821	1	IDLER, 6.0" COMMERCIAL
5	119480	1	BELT GUIDE W/A
6	604251	10	NT .312-18 HXNL JAM G2ZN
7	768523	12	FW 0.343SAE
8	603750	4	IDLER SLIDE, SHORT
9	123563	1	BELT GUIDE KIT
10	781302	2	IDLER SPRING
11	259812	1	CHAIN, 13 LINK
12	794446	10	CS .625-11X1.500HXG5
13	767962	17	FW .531 x 1.063 x .175
14	603057	10	DUST SHIELD W/OFFSET
15	603784	2	IDLER, FLAT 4.0" DEEP
16	117576	2	IDLER SLED W/A, WING
17	604086	8	CS .312-18X1.00 FLTSH ZN
18	601619	4	IDLER SLIDE UHMW RT & LT
19	061101	2	NT .750-10 HX ZN NL GR B
20	025296	4	FW .760X1.63X0.08 ZN
21	116105	2	DECK PUSHER W/A
22	015495	2	GREASE FITTING STRAIGHT
23	350884	1	SLIDE, DECK IDLER
24	041475	2	CS .750-10X9.50 HX G5 ZN
25	058776	2	NT .312-18NLG5
26	116546	1	CATCH, TENSIONER SPRING
27	037887	2	CB .312-18X 1.000 FUL ZN
28	060541	4	SB0.500X0.625SH0.375-16
29	603846	4	NT .375-16 HX NL JAM ZN
30	016253	6	CB .312-18X .750 FUL ZN
31	364315	1	CHAIN, 7 LINK
32	796714	3	PULLEY, 6" HB IDLER RD
33	602827	2	CB .312-18X 1.250 ZN
34	602672	3	PULLEY, V-IDLER HBB 5.0"
35	605978	2	PULLEY, SPLIT IDLER



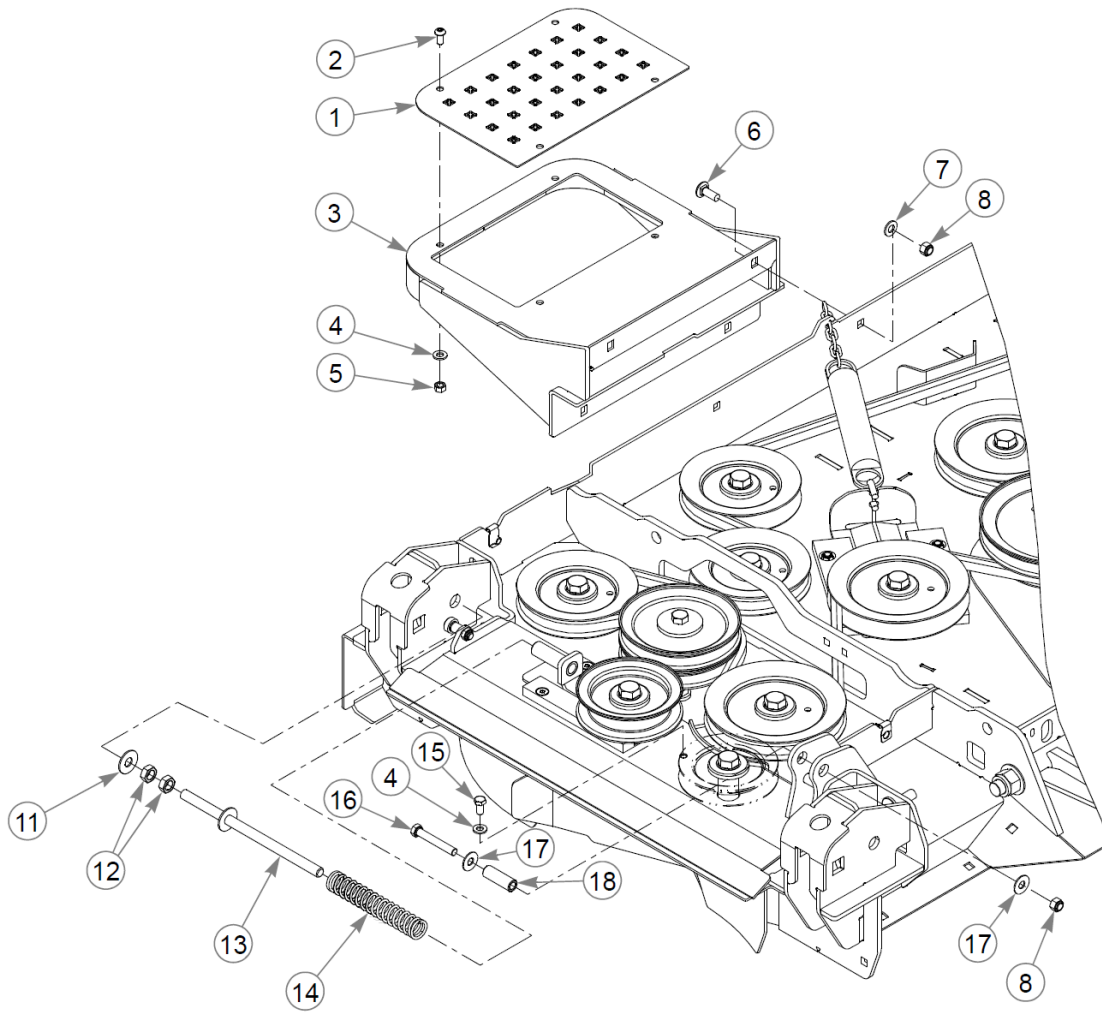
Item	Part No.	Qty	Name
1	016642	1	CS .625-11X2.000HXG5
2	028118	22	FW 0.625X1.00X.13 ZN
3	608144	1	SHIELD, DUST
4	602821	1	IDLER, 6.0" COMMERCIAL
5	119480	1	BELT GUIDE W/A
6	604251	10	NT .312-18 HXNL JAM G2ZN
7	768523	12	FW 0.343SAE
8	603750	4	IDLER SLIDE, SHORT
9	123563	1	BELT GUIDE KIT
10	781302	2	IDLER SPRING
11	259812	1	CHAIN, 13 LINK
12	794446	10	CS .625-11X1.500HXG5
13	767962	17	FW .531 x 1.063 x .175
14	603057	10	DUST SHIELD W/OFFSET
15	603784	2	IDLER, FLAT 4.0" DEEP
16	117576	2	IDLER SLED W/A, WING
17	604086	8	CS .312-18X1.00 FLTSH ZN
18	601619	4	IDLER SLIDE UHMW RT & LT
19	061101	2	NT .750-10 HX ZN NL GR B
20	025296	4	FW .760X1.63X0.08 ZN
21	116105	2	DECK PUSHER W/A
22	015495	2	GREASE FITTING STRAIGHT
23	350884	1	SLIDE, DECK IDLER
24	041475	2	CS .750-10X9.50 HX G5 ZN
25	058776	2	NT .312-18NLG5
26	116546	1	CATCH, TENSIONER SPRING
27	037887	2	CB .312-18X 1.000 FUL ZN
28	060541	4	SB0.500X0.625SH0.375-16
29	603846	4	NT .375-16 HX NL JAM ZN
30	016253	6	CB .312-18X .750 FUL ZN
31	364315	1	CHAIN, 7 LINK
32	796714	3	PULLEY, 6" HB IDLER RD
33	602827	2	CB .312-18X 1.250 ZN
34	602672	3	PULLEY, V-IDLER HBB 5.0"
35	605978	2	PULLEY, SPLIT IDLER
36	017616	9	CS .500-13X1.750HXG5

This page intentionally left blank

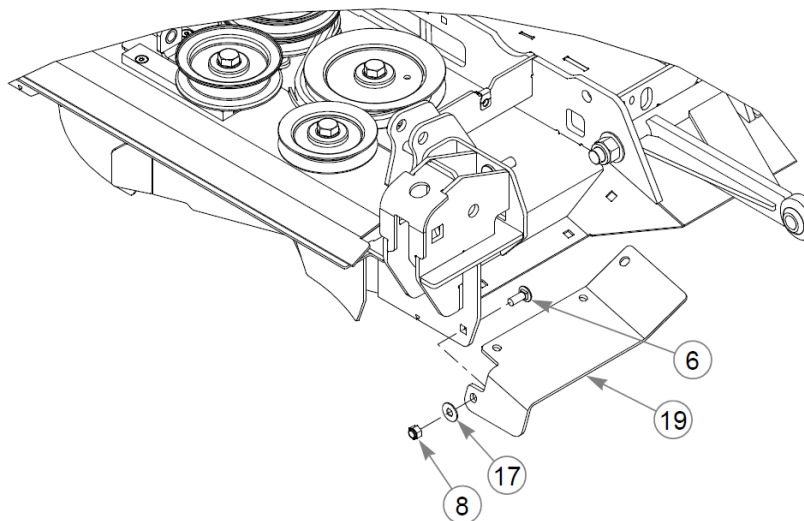
Item	Part No.	Qty	Name
37	752386	3	CW .505 X 1.625 X .140
38	212472	3	KEY 1/4 SQ X 1.00 LG(FS)
39	524785	2	PULLEY, (711499) PTED B
40	705954	6	CS .500-13X1.25 HX G5 ZN
41	604036	1	PULLEY, DOUBLE DRIVE
42	607408	1	SPINDLE ASSY, DUCTILE
43	781567	5	NT .500-13NLG5
44	602339	5	CB .50-13 X 4.50 STD ZN
45	607407	2	SPINDLE ASSY, DUCTILE
46	602263	5	WHEEL, ANTI-SCALP
47	602345	5	SPACER, ANTI-SCALP 3.22

Comments for Page: Center Deck Pulleys & Spindles - S/N Prior to 15038417

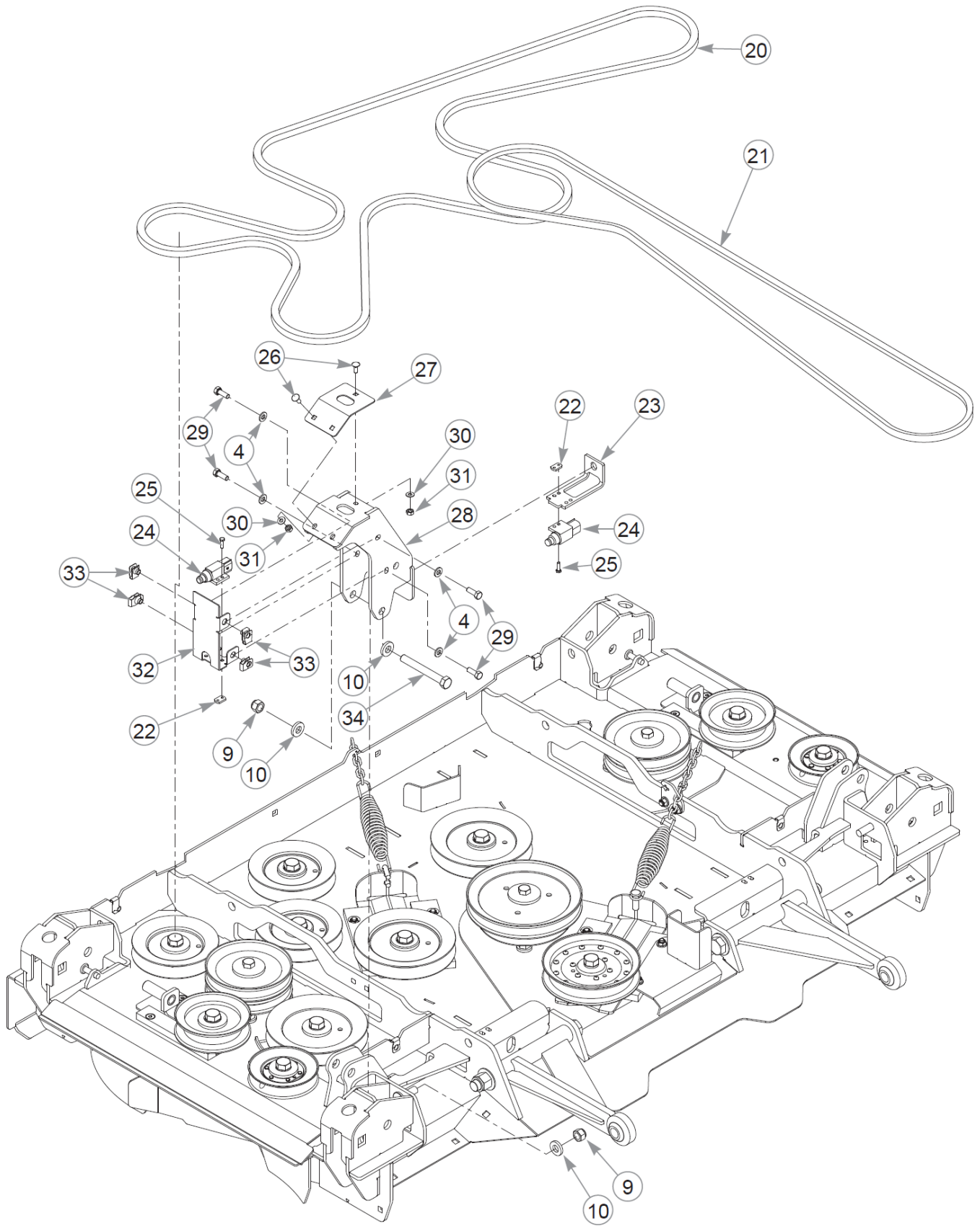
1. Torque to 65–75 ft-lbs.



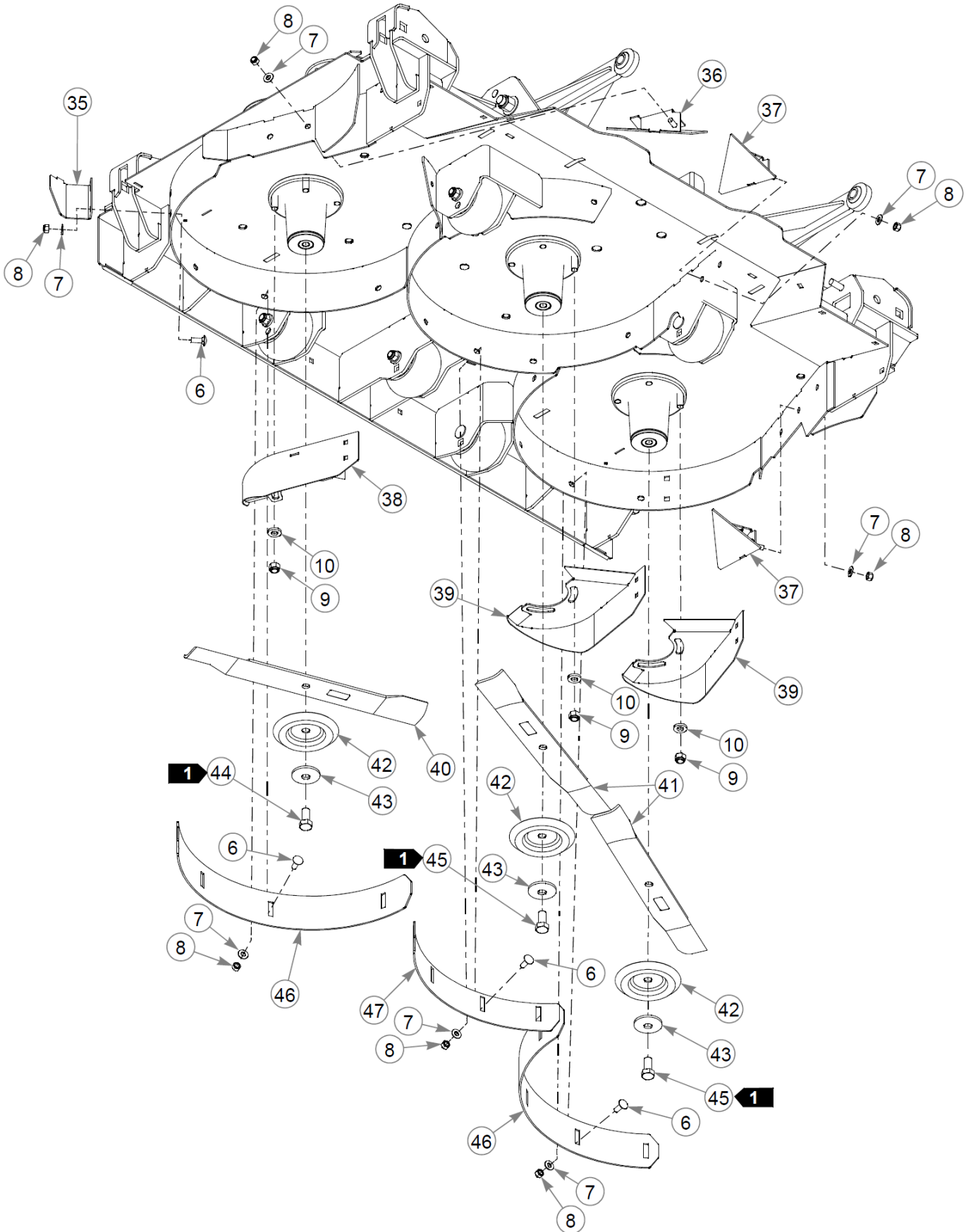
LEFT SIDE SHOWN
RIGHT SIDE SIMILAR



This page intentionally left blank



This page intentionally left blank



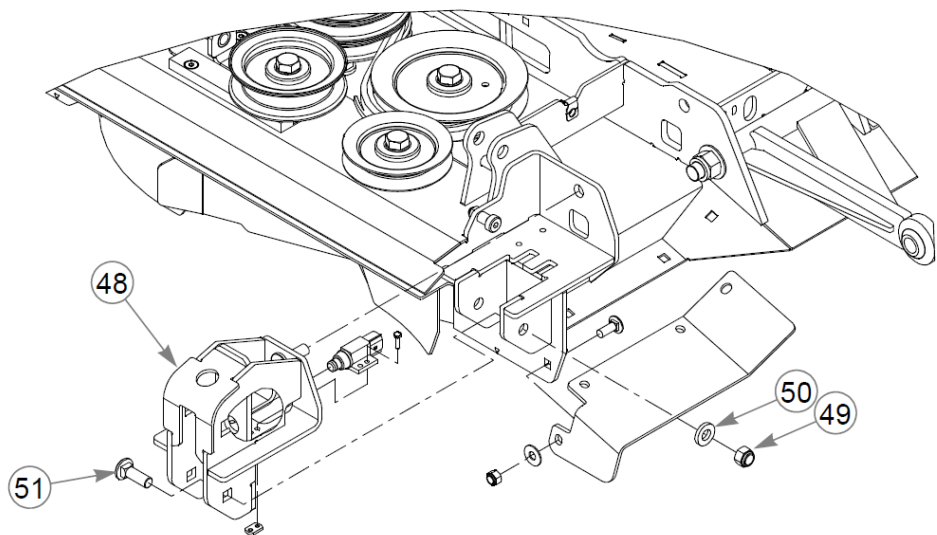
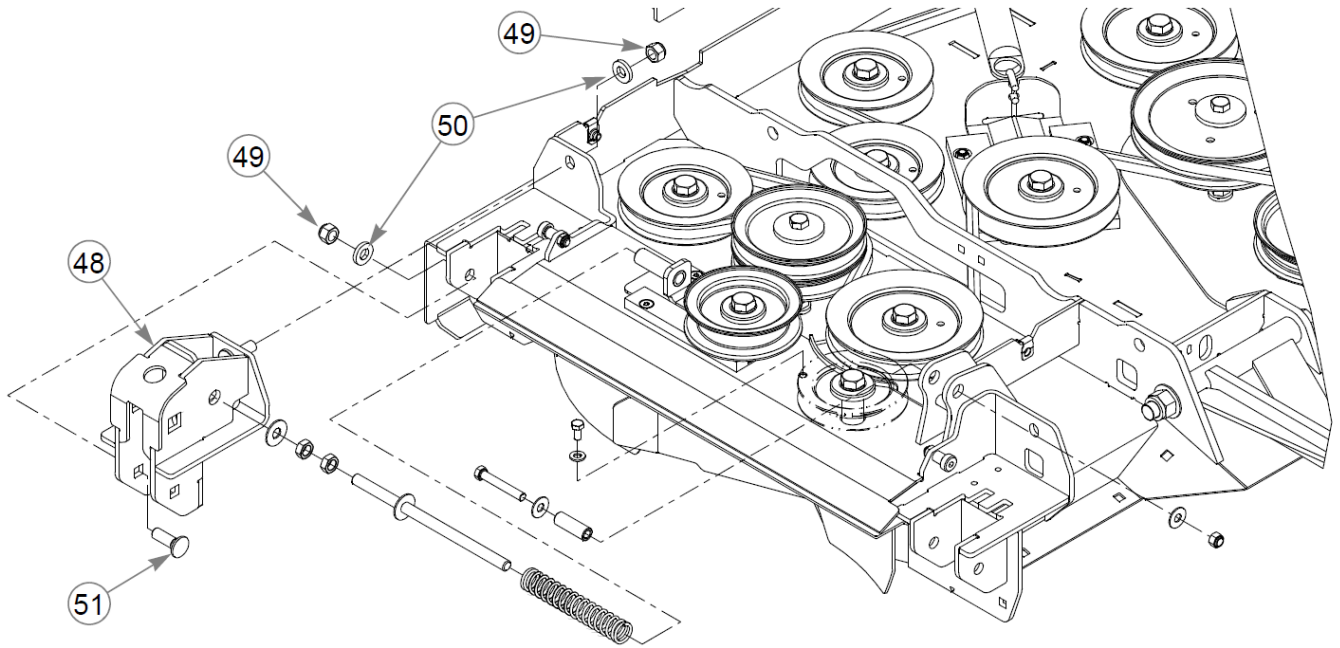
Item	Part No.	Qty	Name
1	116630	1	PLATE, STAMPED TREAD
2	603022	4	CS .312-18X.625 BH ZN
3	116625	1	STEP W/A
4	768523	14	FW 0.343SAE
5	034272	4	NT .312-18HXG5
6	025395	28	CB .375-16X 1.00 G5 ZN
7	767954	23	FW 0.379X.82X.06 HD ZN
8	086660	33	NT .375-16NLG8
9	781567	10	NT .500-13NLG5
10	767962	12	FW .531 x 1.063 x .175
11	704759	2	FW 0.500X1.25X.08 ZN
12	053199	4	NT .500-13JAMG5
13	115245	2	ROD W/A, TENSIONER
14	603787	2	SPRING, COMPRESSION
15	064006	2	CS .312-18X0.625HXG5
16	016428	2	CS .375-16X2.500HXG5
17	076422	12	FW 0.406X1.00X.06 ZN
18	604290	2	SPACER, CYLINDER
19	603704	2	FLAP, DISCHARGE CEN
20	084178	1	DECK BELT
21	606334	1	DECK BELT
22	601822	4	NUT PLATE, .420 CENTERS
23	117890	2	BRACKET, SWITCH MOUNT
24	602538	4	SWITCH PLUNGER, NC/NO
25	714998	8	MS#10-24X0.625HX
26	601503	6	CB .250-20 X .625 ZN
27	116613	2	PLATE, LATCH STRIKER
28	116575	2	TOWER W/A, LATCH
29	064014	8	CS .312-18X0.875HXG5
30	017079	6	FW .250SAE
31	024927	6	NT .250-20HXG5
32	116632	2	BRKT, LATCH SWITCH
33	601069	8	CN .312-18x.200 MAX THK
34	089938	2	CS .500-13X4.000HXG5
35	116533	1	DEFLECTOR, FRONT LH
Not Shown	116532	1	DEFLECTOR, FRONT RH

This page intentionally left blank

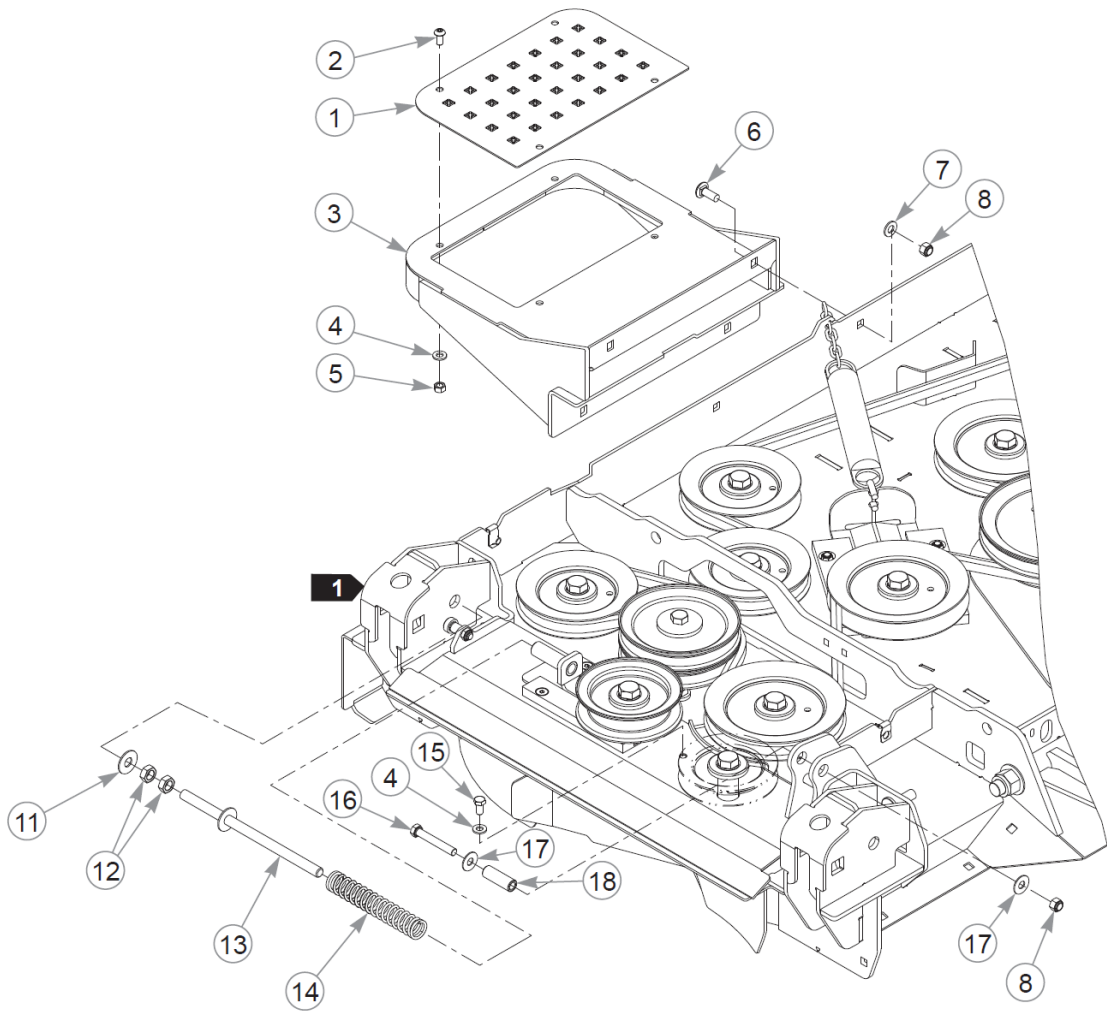
Item	Part No.	Qty	Name
36	116561	1	RAMP W/A, DISCHARGE CCW
37	116560	2	RAMP W/A, DISCHARGE CW
38	117166	1	CUT-OFF W/A, CCW
39	117165	2	CUT-OFF W/A, CW
40	795633	1	BLADE, F20.50"-L-F-CCW
Not Shown	601928	1	BLADE, 20.5"GAT-F-CCW
Not Shown	604163	1	BLADE, 20.50-MUL-F-CCW
41	600901	2	BLADE, F20.50"-L-F-CW
Not Shown	794230	2	BLADE,20.50"GAT-F-CW
Not Shown	794214	2	BLADE,20.50"-MUL-F-CW
42	114988	3	SHIELD, BLADE BOLT
43	782474	3	CW .678 X 2.250 X .187
44	604383	1	CS .625-11X1.250 G5 LHT
45	781872	2	CS .625-11X1.250HXG5
46	122720	2	WRAPPER EXT, SIDE
47	122721	1	WRAPPER EXT, CENTER

Comments for Page: Center Deck, Deck Belts & Blades - S/N 16010783 & Higher (Multi-Page)

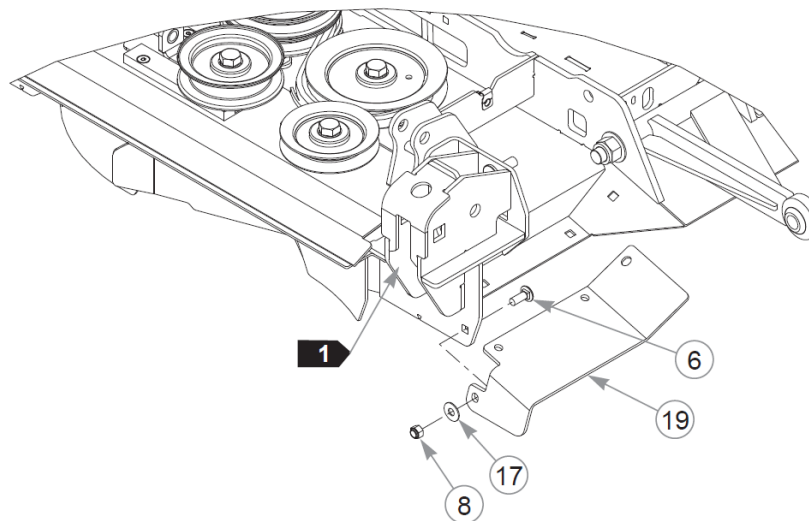
1. See the Service Parts for mowers with serial numbers prior to 13020001.
2. Torque to 118 ft-lbs.



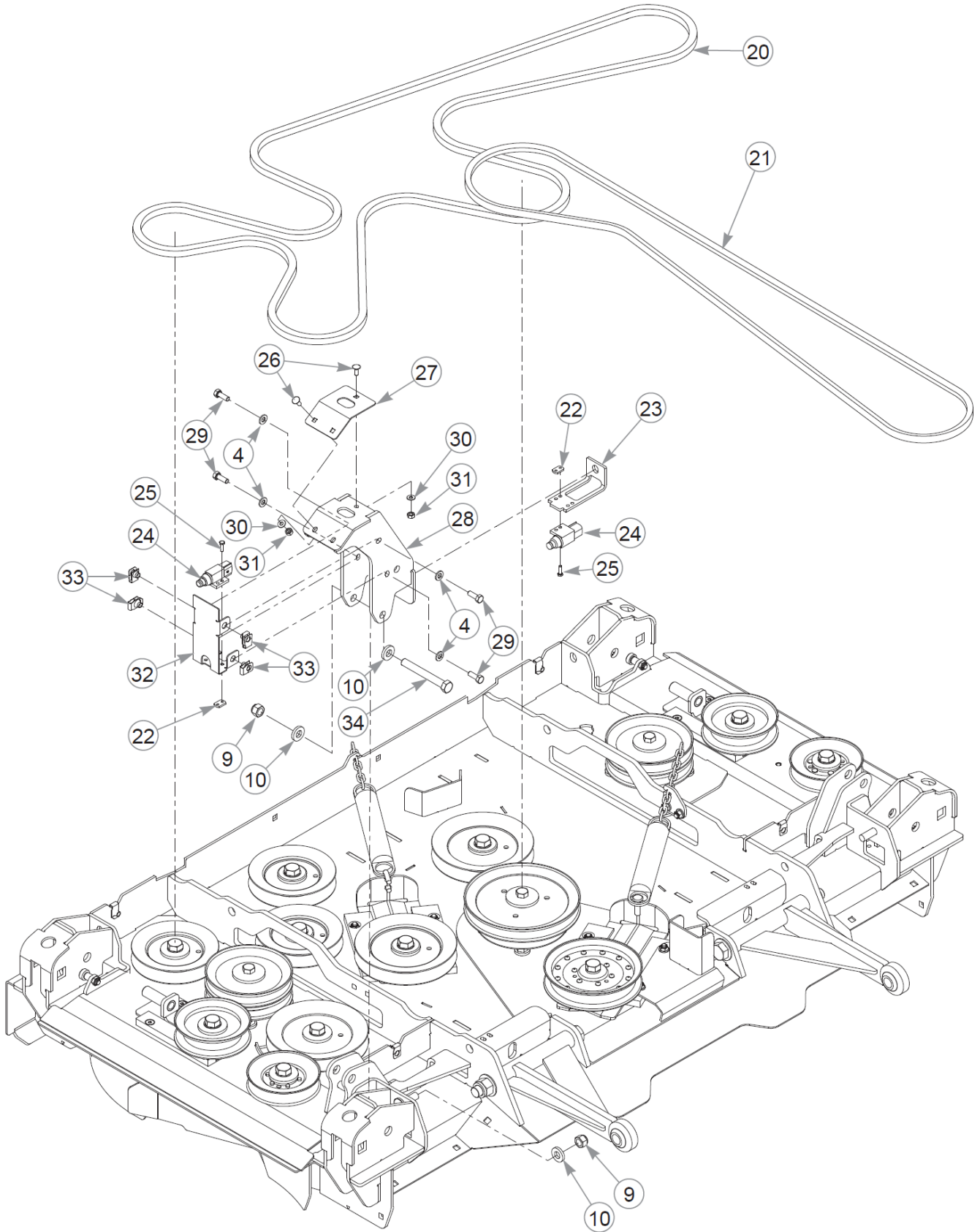
Item	Part No.	Qty	Name
48	116550	4	TOWER W/A, WING PIVOT
49	781567	4	NT .500-13NLG5
50	767962	4	FW .531 x 1.063 x .175
51	028274	4	CB .500-13X 1.500 FULL



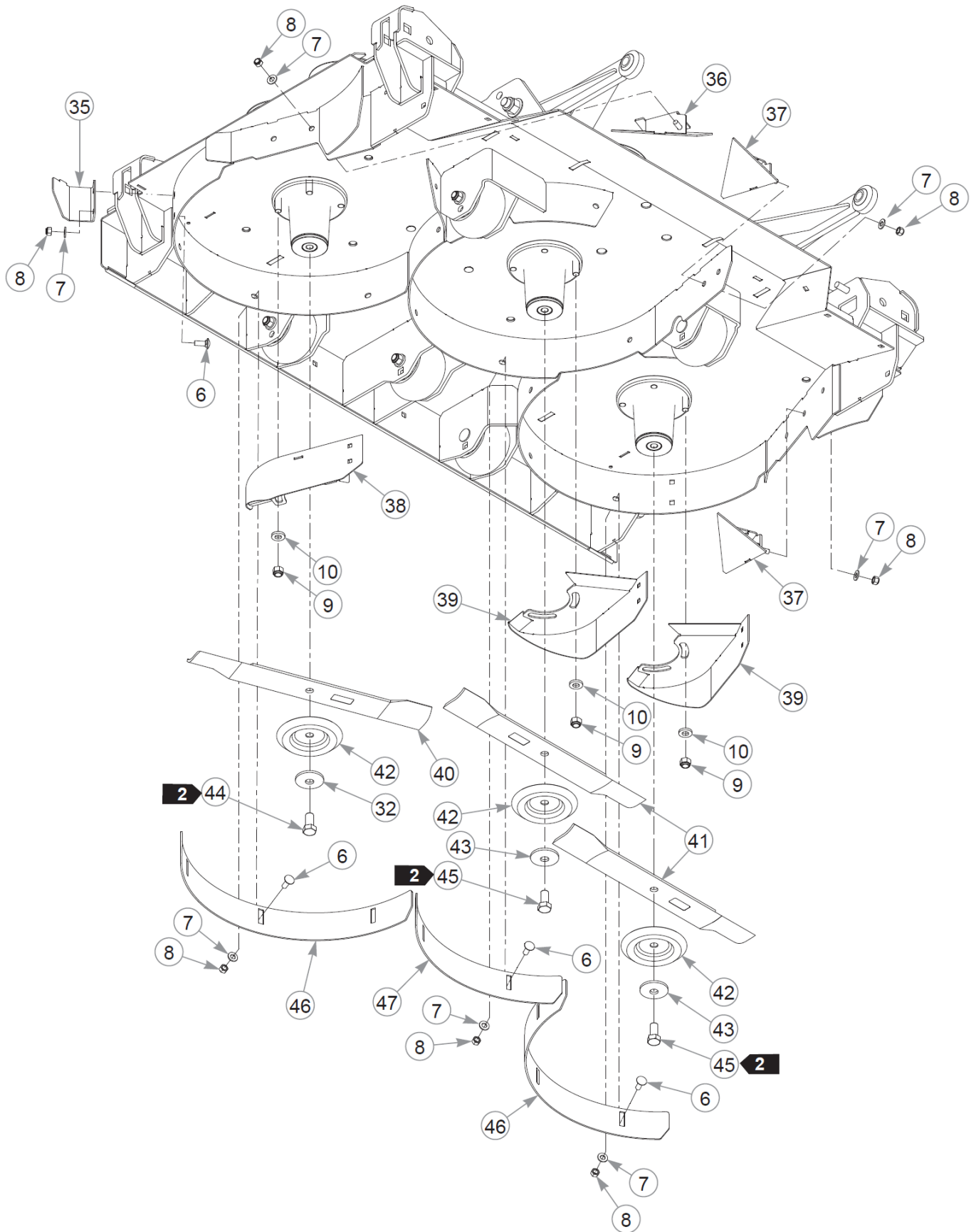
LEFT SIDE SHOWN
RIGHT SIDE SIMILAR



This page intentionally left blank



This page intentionally left blank



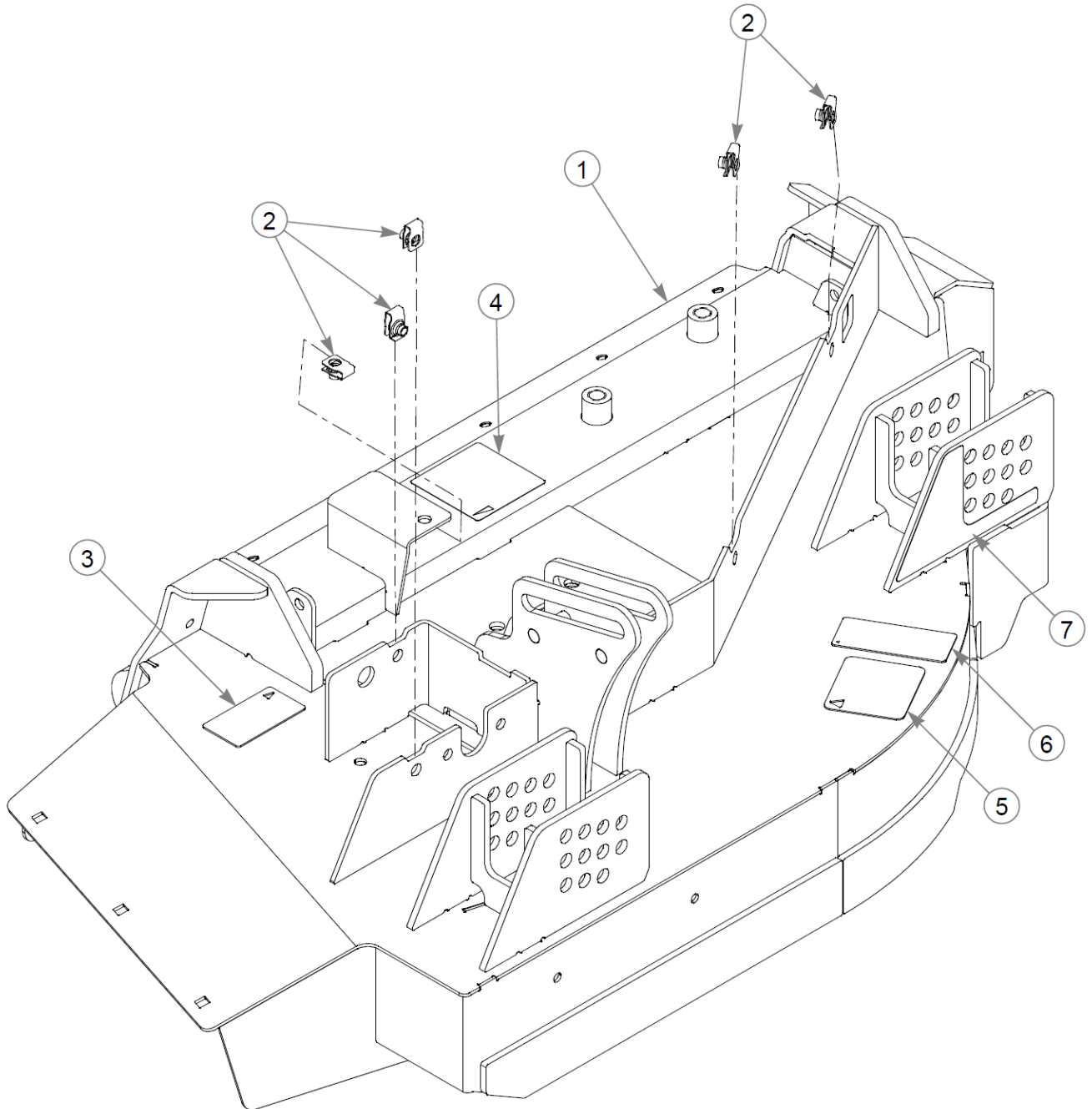
Item	Part No.	Qty	Name
1	116630	1	PLATE, STAMPED TREAD
2	603022	4	CS .312-18X.625 BH ZN
3	116625	1	STEP W/A
4	768523	14	FW 0.343SAE
5	034272	4	NT .312-18HXG5
6	025395	24	CB .375-16X 1.00 G5 ZN
7	767954	19	FW 0.379X.82X.06 HD ZN
8	086660	29	NT .375-16NLG8
9	781567	10	NT .500-13NLG5
10	767962	12	FW .531 x 1.063 x .175
11	704759	2	FW 0.500X1.25X.08 ZN
12	053199	4	NT .500-13JAMG5
13	115245	2	ROD W/A, TENSIONER
14	603787	2	SPRING, COMPRESSION
15	064006	2	CS .312-18X0.625HXG5
16	016428	2	CS .375-16X2.500HXG5
17	076422	12	FW 0.406X1.00X.06 ZN
18	604290	2	SPACER, CYLINDER
19	603704	2	FLAP, DISCHARGE CEN
20	084178	1	DECK BELT
21	603786	1	DECK BELT
22	601822	4	NUT PLATE, .420 CENTERS
23	117890	2	BRACKET, SWITCH MOUNT
24	602538	4	SWITCH PLUNGER, NC/NO
25	714998	8	MS#10-24X0.625HX
26	601503	6	CB .250-20 X .625 ZN
27	116613	2	PLATE, LATCH STRIKER
28	116575	2	TOWER W/A, LATCH
29	064014	8	CS .312-18X0.875HXG5
30	017079	6	FW .250SAE
31	024927	6	NT .250-20HXG5
32	116632	2	BRKT, LATCH SWITCH
33	601069	8	CN .312-18x.200 MAX THK
34	089938	2	CS .500-13X4.000HXG5
35	116533	1	DEFLECTOR, FRONT LH
Not Shown	116532	1	DEFLECTOR, FRONT RH

This page intentionally left blank

Item	Part No.	Qty	Name
36	116561	1	RAMP W/A, DISCHARGE CCW
37	116560	2	RAMP W/A, DISCHARGE CW
38	117166	1	CUT-OFF W/A, CCW
39	117165	2	CUT-OFF W/A, CW
40	795633	1	BLADE, F20.50"-L-F-CCW
Not Shown	601928	1	BLADE, 20.5"GAT-F-CCW
Not Shown	604163	1	BLADE, 20.50-MUL-F-CCW
41	600901	2	BLADE, F20.50"-L-F-CW
Not Shown	794230	2	BLADE,20.50"GAT-F-CW
Not Shown	794214	2	BLADE,20.50"-MUL-F-CW
42	114988	3	SHIELD, BLADE BOLT
43	782474	3	CW .678 X 2.250 X .187
44	604383	1	CS .625-11X1.250 G5 LHT
45	781872	2	CS .625-11X1.250HXG5
46	116637	2	WRAPPER EXT, SIDE
47	116636	1	WRAPPER EXT, CENTER

Comments for Page: Center Deck, Deck Belts & Blades - S/N Prior to 16010783 (Multi-Page)

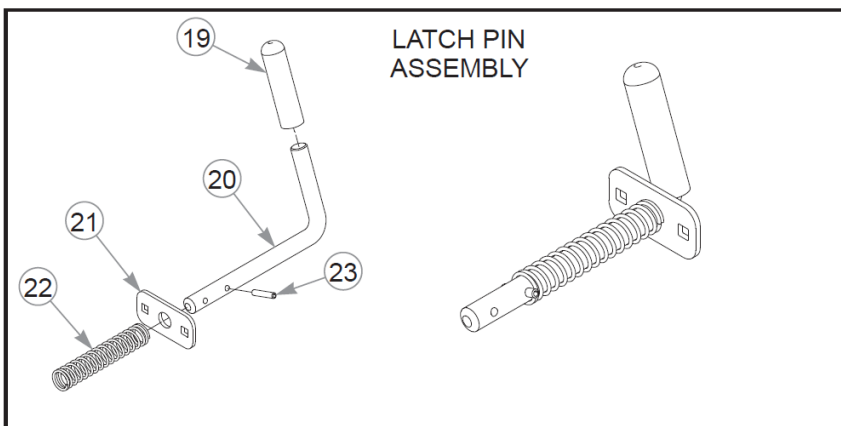
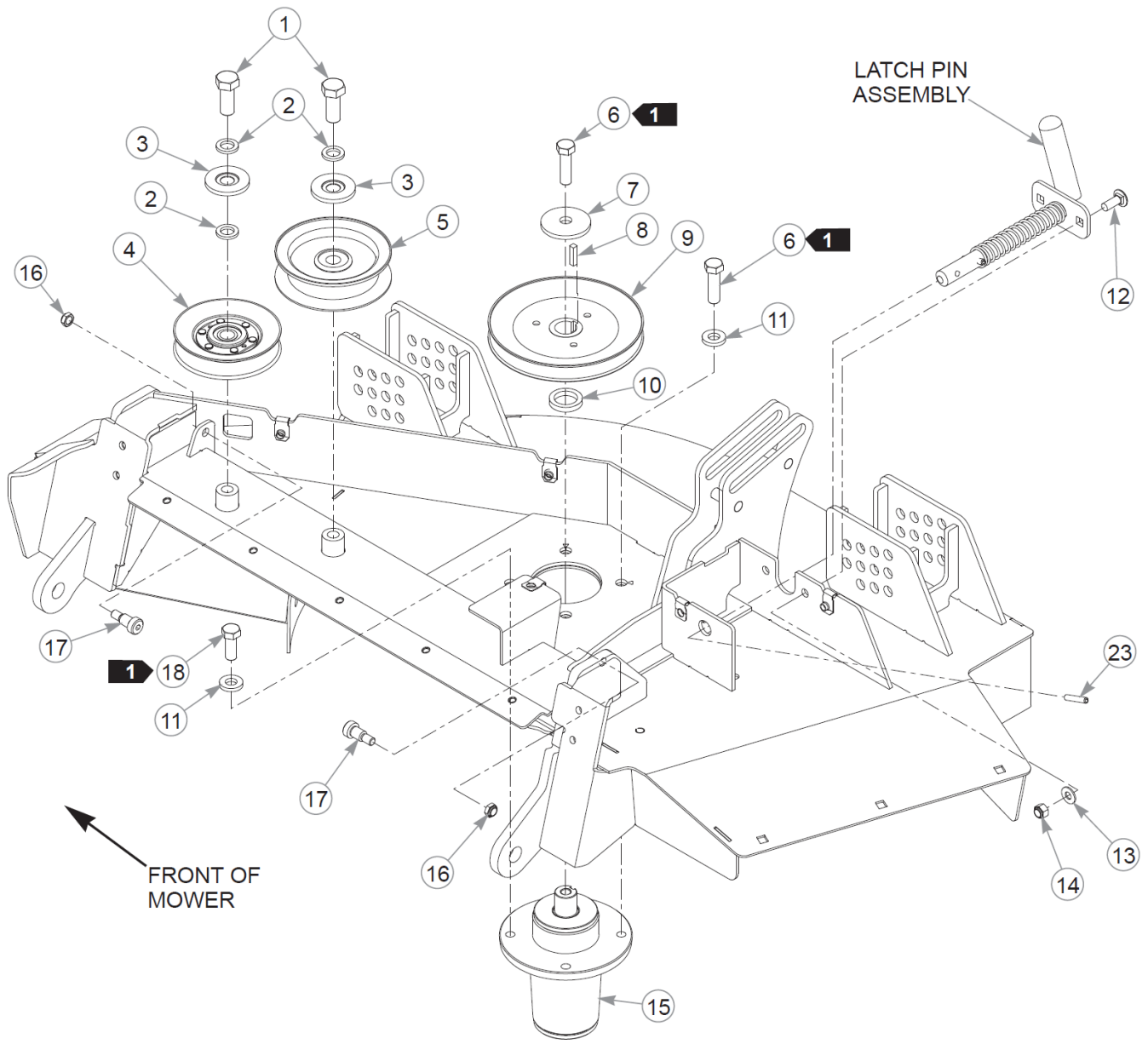
1. See the Service Parts for mowers with serial numbers prior to 13020001.
2. Torque to 118 ft-lbs.



Item	Part No.	Qty	Name
1	551823	1	S104 RS SERVICE DECK
2	601069	5	CN .312-18x.200 MAX THK
3	603391	1	DECAL, RUBBER FLAP
4	604277	1	DECAL, BELT ROUTING
5	601837	1	DECAL, DECK DANGERS
6	601892	1	DECAL, THROWN OBJECTS
7	604285	1	DECAL, CUT HEIGHT

Comments for Page: Right Side Service Deck

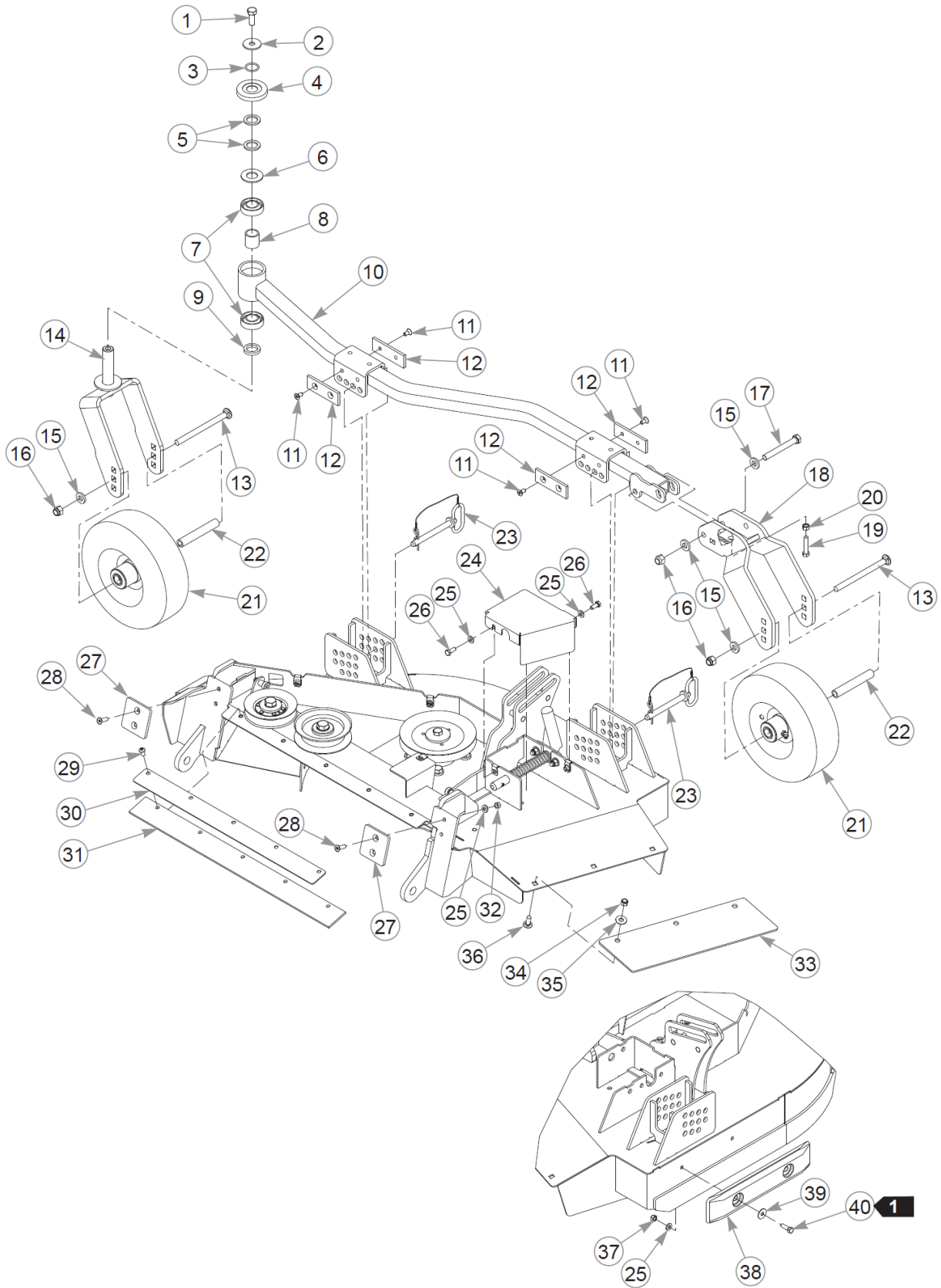
1. Deck includes decals & hardware.



Item	Part No.	Qty	Name
1	794446	2	CS .625-11X1.500HXG5
2	028118	2	FW 0.625X1.00X.13 ZN
3	603057	2	DUST SHIELD W/OFFSET
4	605978	1	PULLEY, SPLIT IDLER
5	603784	1	IDLER, FLAT 4.0" DEEP
6	017616	3	CS .500-13X1.750HXG5
7	752386	1	CW .505 X 1.625 X .140
8	212472	1	KEY 1/4 SQ X 1.00 LG(FS)
9	538850	1	PULLEY, DRIVE(723486) B
10	469924	1	GAGE WHEEL SPACER 1/4"
11	767962	4	FW .531 x 1.063 x .175
12	025395	2	CB .375-16X 1.00 G5 ZN
13	767954	2	FW 0.379X.82X.06 HD ZN
14	086660	2	NT .375-16NLG8
15	607407	1	SPINDLE ASSY, DUCTILE
16	603846	2	NT .375-16 HX NL JAM ZN
17	060541	2	SB0.500X0.625SH0.375-16
18	705954	2	CS .500-13X1.25 HX G5 ZN
19	603964	1	GRIP, .75X4.00 BLACK
20	116573	1	PIN, LATCH
21	116574	1	PLATE, LATCH
22	603958	1	SPRING, COMPRESSION
23	005124	2	RP0.250X1.375 ZN

Comments for Page: Right Side Deck Pulleys & Spindles

1. Torque to 65-75 ft-lbs.



This page intentionally left blank

Item	Part No.	Qty	Name
1	705954	1	CS .500-13X1.25 HX G5 ZN
2	798603	1	FW .515X1.65X.12 HD ZN
3	601375	1	O-RING, SAE-14
4	603153	1	DUST CAP, SZ CASTER
5	045765	2	FW 1.030X1.50X.13 HD ZN
6	603164	1	BEARING DISC, FORK
7	784223	2	BEARING
8	784603	1	SPACER
9	469924	1	GAGE WHEEL SPACER 1/4"
10	122120	1	WHEEL TUBE ASSY
11	604096	8	CS .312-18X.625 FLTSH ZN
12	604095	4	PAD, GAUGE WHEEL
13	606381	2	CB .500-13X6.50 STD ZN
14	122123	1	FORK W/A, FRONT S104
15	767962	8	FW .531 x 1.063 x .175
16	781567	6	NT .500-13NLG5
17	089938	2	CS .500-13X4.000HXG5
18	122127	1	FORK W/A, GUAGE
19	600878	1	CS .375-16X1.75 G5 FULTD
20	054502	1	NT .375-16HXG5
21	606113	2	S/C TO 606740
Not Shown	606740	2	TIR/WHL 11X4.00-5 SLV
22	306969	2	GAGE WHEEL SPACER
23	604041	2	CE .500X4.0 LANYARD PIN
24	116882	1	COVER, LATCH RIGHT
25	768523	6	FW 0.343SAE
26	034280	2	CS .312-18X0.750HXG5
27	604088	2	STOP PAD, WING
28	604086	4	CS .312-18X1.00 FLTSH ZN
29	603022	5	CS .312-18X.625 BH ZN
30	116614	1	PLATE, FLAP CLAMP
31	603855	1	FLAP, WING INTERSECTION
32	034272	2	NT .312-18HXG5
33	604270	1	FLAP, WING
34	086660	8	NT .375-16NLG8
35	076422	3	FW 0.406X1.00X.06 ZN

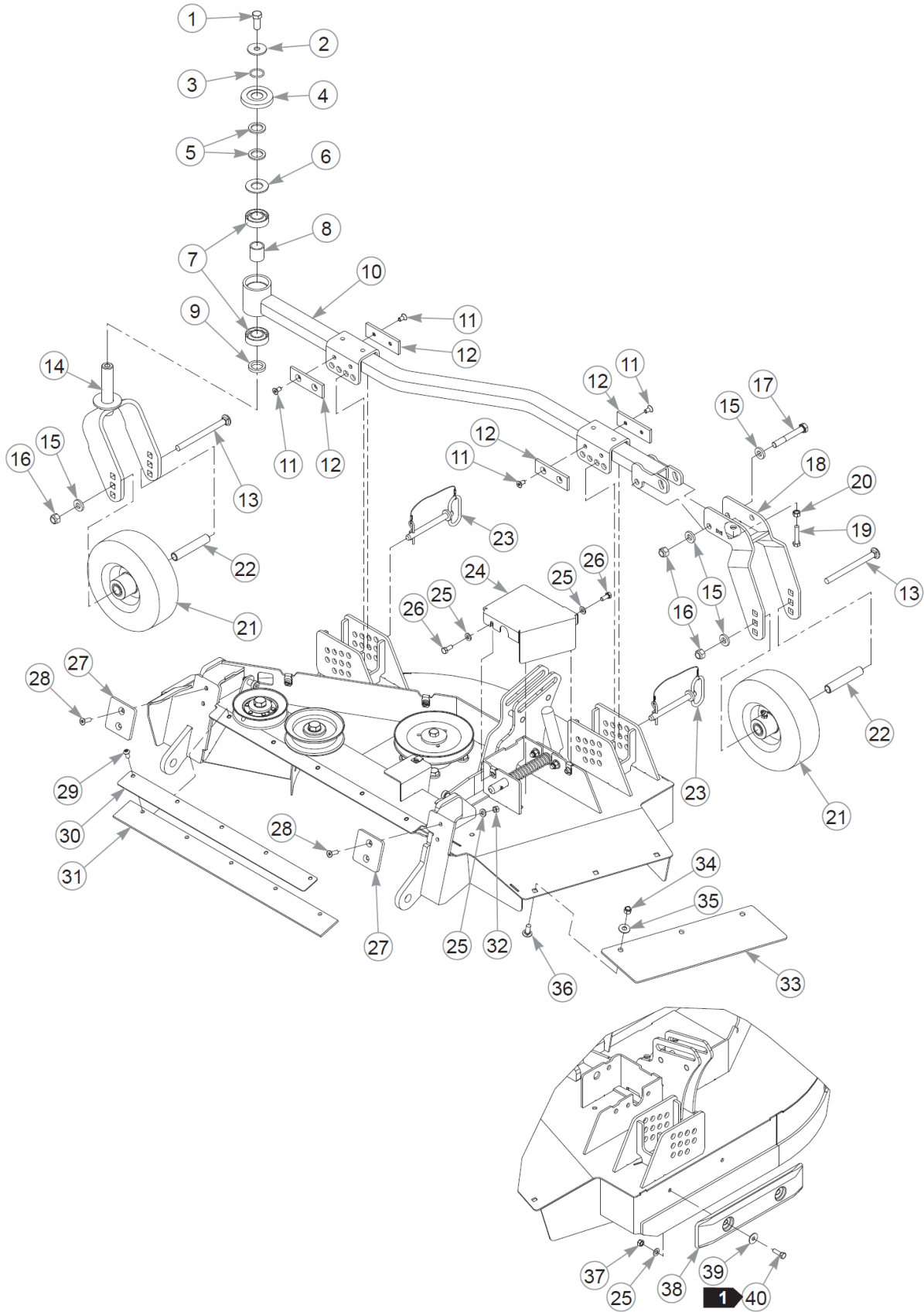
This page intentionally left blank

Item	Part No.	Qty	Name
36	025395	7	CB .375-16X 1.00 G5 ZN
37	058776	2	NT .312-18NLG5
38	604183	1	BUMPER, TRIM EDGE FLAT
39	079210	2	FW 0.344X1.0X0.06 ZN
40	036236	2	CS .312-18X1.000HXG5
41	122719	1	WRAPPER EXT, WING
42	767954	5	FW 0.379X.82X.06 HD ZN
43	116560	1	RAMP W/A, DISCHARGE CW
44	117165	1	CUT-OFF W/A, CW
45	606393	1	BLADE 23.86" L-F-CW
Not Shown	796839	1	BLADE, F23.86-L-F-CW
Not Shown	794867	1	BLADE, 23.86"-GAT-F-CW
Not Shown	793398	1	BLADE,23.86"-MUL-F-CW
46	114988	1	SHIELD, BLADE BOLT
47	782474	1	CW .678 X 2.250 X .187
48	781872	1	CS .625-11X1.250HXG5

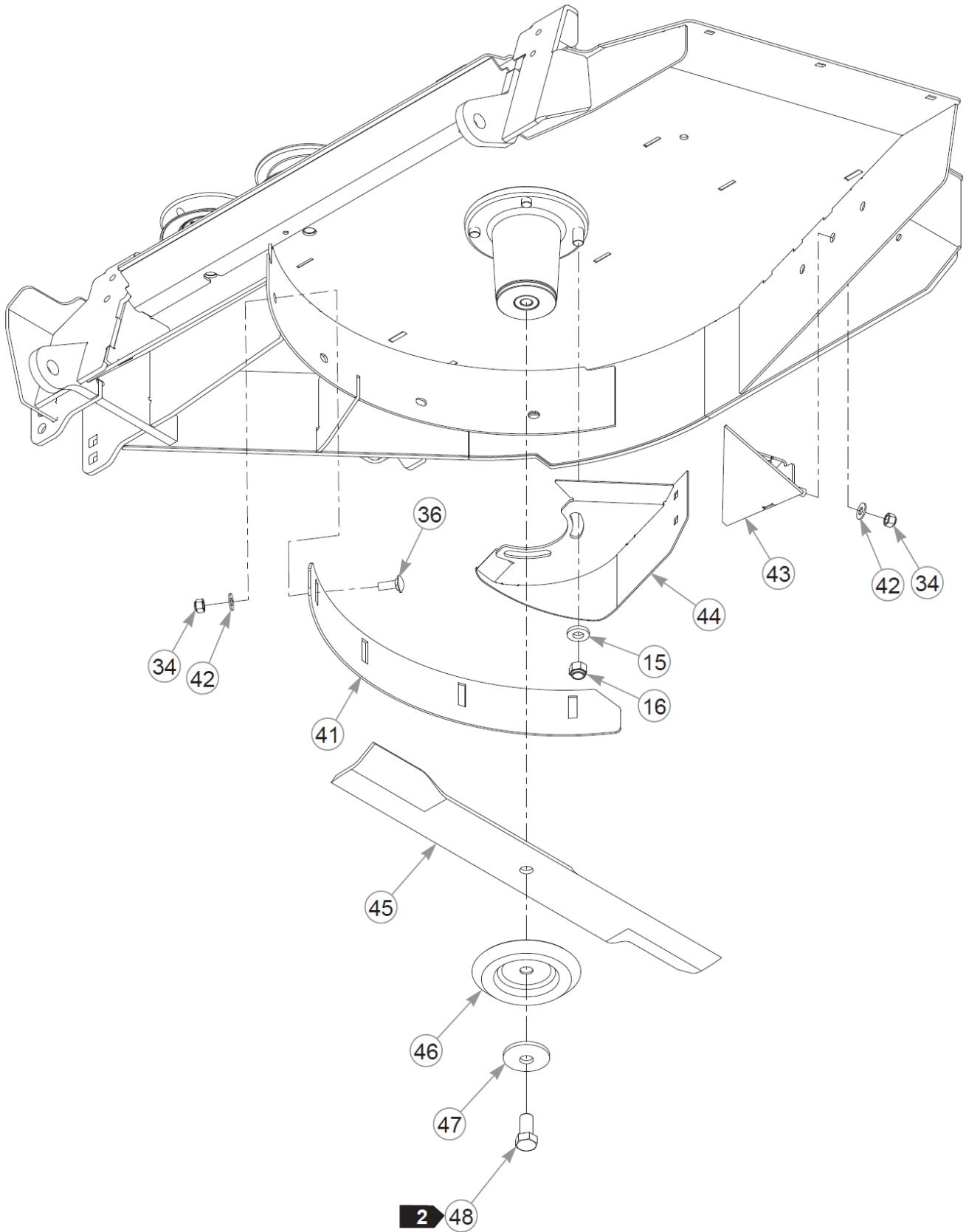
Comments for Page: Right Side Deck Assembly & Blades - S/N 16030051 & Higher (Multi-Page)

1. Torque to 10 ft-lbs.
2. Torque to 118 ft-lbs.
3. For mowers prior to S/N 17083520, when replacing the blade, also replace the clutch.

Blade 606393 is used on mowers S/N 18026653 & higher. 796839 is used on mowers prior to S/N 18026653.



This page intentionally left blank



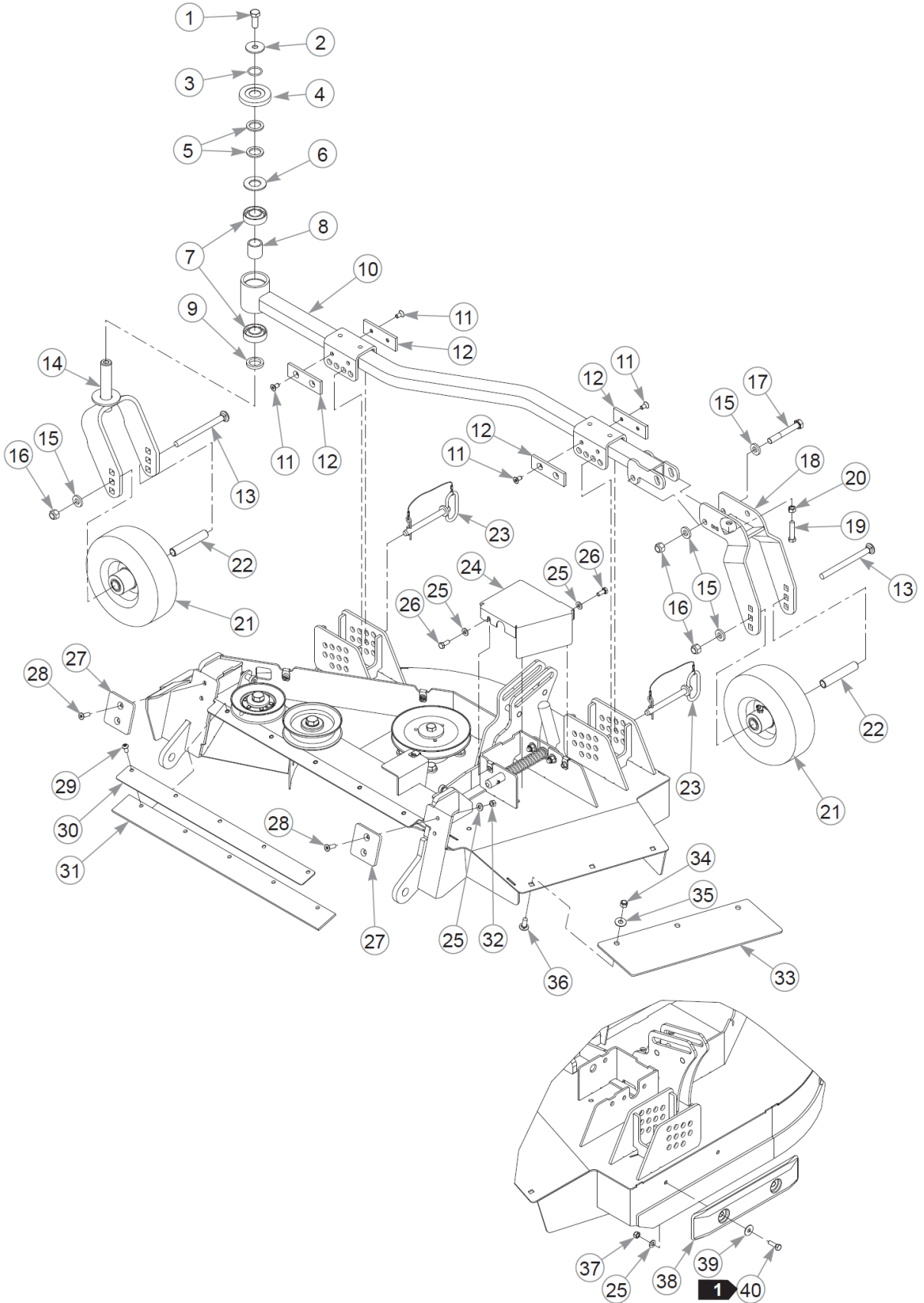
Item	Part No.	Qty	Name
1	705954	1	CS .500-13X1.25 HX G5 ZN
2	798603	1	FW .515X1.65X.12 HD ZN
3	601375	1	O-RING, SAE-14
4	603153	1	DUST CAP, SZ CASTER
5	045765	2	FW 1.030X1.50X.13 HD ZN
6	603164	1	BEARING DISC, FORK
7	784223	2	BEARING
8	784603	1	SPACER
9	469924	1	GAGE WHEEL SPACER 1/4"
10	116293	1	GAUGE WHEEL W/A, RIGHT
11	604096	8	CS .312-18X.625 FLTSH ZN
12	604095	4	PAD, GAUGE WHEEL
13	792077	2	CB .50-13 X 6 STD ZN
14	123166	1	FORK W/A, FRON S104
15	767962	8	FW .531 x 1.063 x .175
16	781567	6	NT .500-13NLG5
17	061812	2	CS .500-13X3.50 HX G5 ZN
18	116075	1	FORK W/A, REAR S104
19	600878	1	CS .375-16X1.75 G5 FULTD
20	054502	1	NT .375-16HXG5
21	606125	2	TIR/WHL 9X3.50-4 SLV
Comments for Part Num. 606125			
Heavy Duty bearings.			
22	604089	2	SPACER, GAUGE WHEEL
23	604041	2	CE .500X4.0 LANYARD PIN
24	116882	1	COVER, LATCH RIGHT
25	768523	6	FW 0.343SAE
26	034280	2	CS .312-18X0.750HXG5
27	604088	2	STOP PAD, WING
28	604086	4	CS .312-18X1.00 FLTSH ZN
29	603022	5	CS .312-18X.625 BH ZN
30	116614	1	PLATE, FLAP CLAMP
31	603855	1	FLAP, WING INTERSECTION
32	034272	2	NT .312-18HXG5
33	604270	1	FLAP, WING

This page intentionally left blank

Item	Part No.	Qty	Name
34	086660	8	NT .375-16NLG8
35	076422	3	FW 0.406X1.00X.06 ZN
36	025395	7	CB .375-16X 1.00 G5 ZN
37	058776	2	NT .312-18NLG5
38	604183	1	BUMPER, TRIM EDGE FLAT
39	079210	2	FW 0.344X1.0X0.06 ZN
40	036236	2	CS .312-18X1.000HXG5
41	122719	1	WRAPPER EXT, WING
42	767954	5	FW 0.379X.82X.06 HD ZN
43	116560	1	RAMP W/A, DISCHARGE CW
44	117165	1	CUT-OFF W/A, CW
45	796839	1	BLADE, F23.86-L-F-CW
Not Shown	794867	1	BLADE, 23.86"-GAT-F-CW
Not Shown	793398	1	BLADE,23.86"-MUL-F-CW
46	114988	1	SHIELD, BLADE BOLT
47	782474	1	CW .678 X 2.250 X .187
48	781872	1	CS .625-11X1.250HXG5

Comments for Page: Right Side Deck Assembly & Blades - S/N 16010000 to 16030050 (Multi-Page)

1. Torque to 10 ft-lbs.
2. Torque to 118 ft-lbs.



This page intentionally left blank

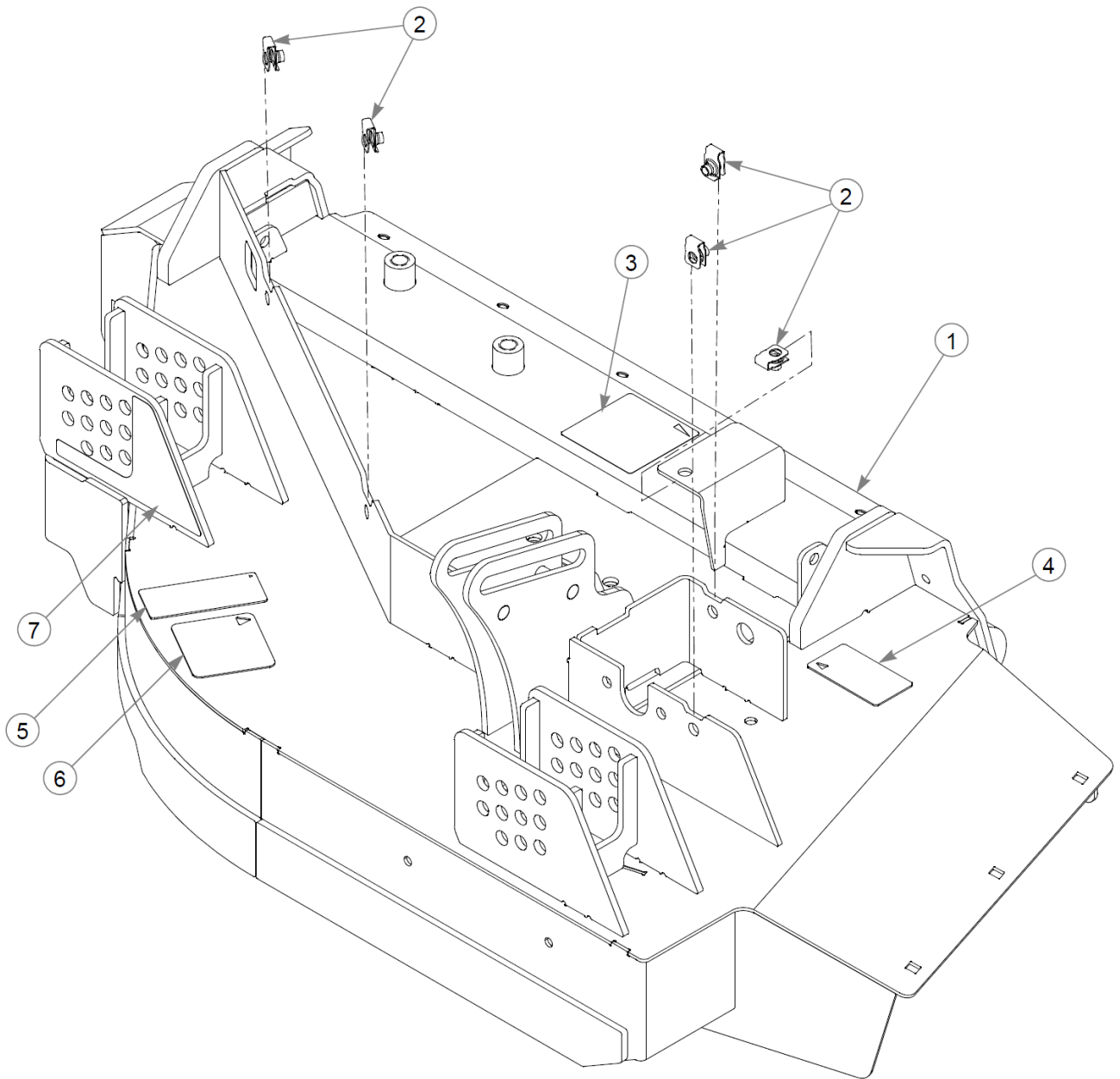
Item	Part No.	Qty	Name
1	705954	1	CS .500-13X1.25 HX G5 ZN
2	798603	1	FW .515X1.65X.12 HD ZN
3	601375	1	O-RING, SAE-14
4	603153	1	DUST CAP, SZ CASTER
5	045765	2	FW 1.030X1.50X.13 HD ZN
6	603164	1	BEARING DISC, FORK
7	784223	2	BEARING
8	784603	1	SPACER
9	469924	1	GAGE WHEEL SPACER 1/4"
10	116293	1	GAUGE WHEEL W/A, RIGHT
11	604096	8	CS .312-18X.625 FLTSH ZN
12	604095	4	PAD, GAUGE WHEEL
13	792077	2	CB .50-13 X 6 STD ZN
14	123166	1	FORK W/A, FRON S104
15	767962	8	FW .531 x 1.063 x .175
16	781567	6	NT .500-13NLG5
17	061812	2	CS .500-13X3.50 HX G5 ZN
18	116075	1	FORK W/A, REAR S104
19	600878	1	CS .375-16X1.75 G5 FULTD
20	054502	1	NT .375-16HXG5
21	606125	2	TIR/WHL 9X3.50-4 SLV
Comments for Part Num. 606125			
Heavy Duty bearings.			
22	604089	2	SPACER, GAUGE WHEEL
23	604041	2	CE .500X4.0 LANYARD PIN
24	116882	1	COVER, LATCH RIGHT
25	768523	6	FW 0.343SAE
26	034280	2	CS .312-18X0.750HXG5
27	604088	2	STOP PAD, WING
28	604086	4	CS .312-18X1.00 FLTSH ZN
29	603022	5	CS .312-18X.625 BH ZN
30	116614	1	PLATE, FLAP CLAMP
31	603855	1	FLAP, WING INTERSECTION
32	034272	2	NT .312-18HXG5
33	604270	1	FLAP, WING

This page intentionally left blank

Item	Part No.	Qty	Name
34	086660	6	NT .375-16NLG8
35	076422	3	FW 0.406X1.00X.06 ZN
36	025395	5	CB .375-16X 1.00 G5 ZN
37	058776	2	NT .312-18NLG5
38	604183	1	BUMPER, TRIM EDGE FLAT
39	079210	2	FW 0.344X1.0X0.06 ZN
40	036236	2	CS .312-18X1.000HXG5
41	116638	1	WRAPPER EXT, WING
42	767954	3	FW 0.379X.82X.06 HD ZN
43	116560	1	RAMP W/A, DISCHARGE CW
44	117165	1	CUT-OFF W/A, CW
45	796839	1	BLADE, F23.86-L-F-CW
Not Shown	794867	1	BLADE, 23.86"-GAT-F-CW
Not Shown	793398	1	BLADE,23.86"-MUL-F-CW
46	114988	1	SHIELD, BLADE BOLT
47	782474	1	CW .678 X 2.250 X .187
48	781872	1	CS .625-11X1.250HXG5

Comments for Page: Right Side Deck Assembly & Blades - S/N Prior to 16010000 (Multi-Page)

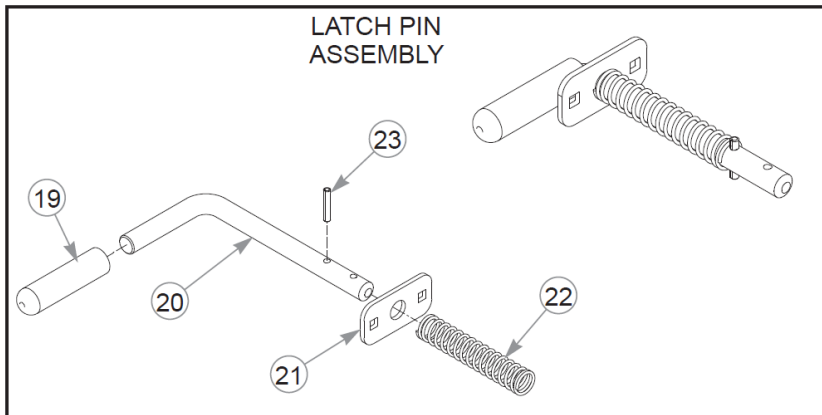
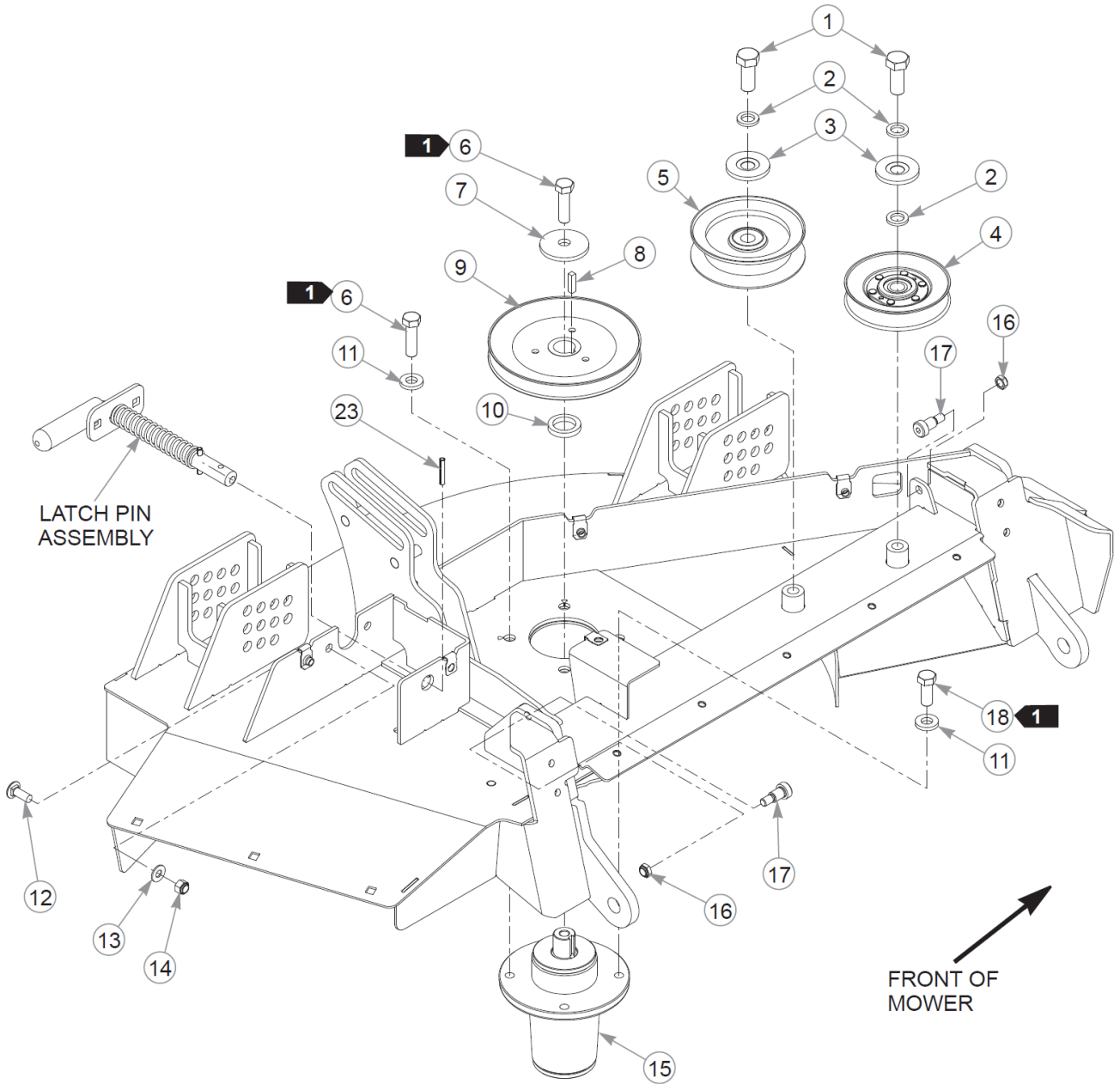
1. Torque to 10 ft-lbs.
2. Torque to 118 ft-lbs.



Item	Part No.	Qty	Name
1	551824	1	S104 LS SERVICE DECK
2	601069	5	CN .312-18x.200 MAX THK
3	604278	1	DECAL, BELT ROUTING
4	603391	1	DECAL, RUBBER FLAP
5	601892	1	DECAL, THROWN OBJECTS
6	601837	1	DECAL, DECK DANGERS
7	604286	1	DECAL, CUT HEIGHT

Comments for Page: Left Side Service Deck

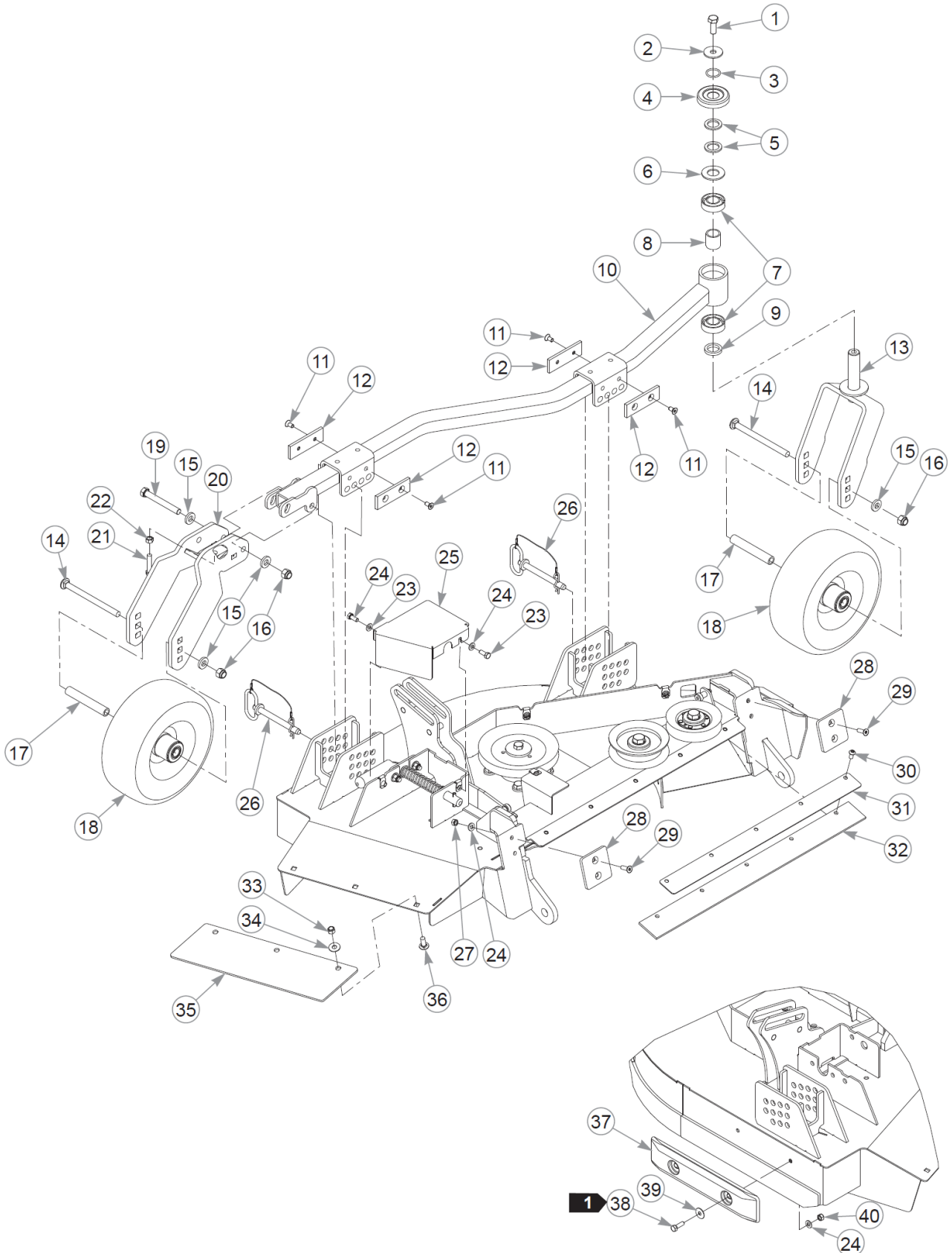
1. The deck includes decals and hardware.



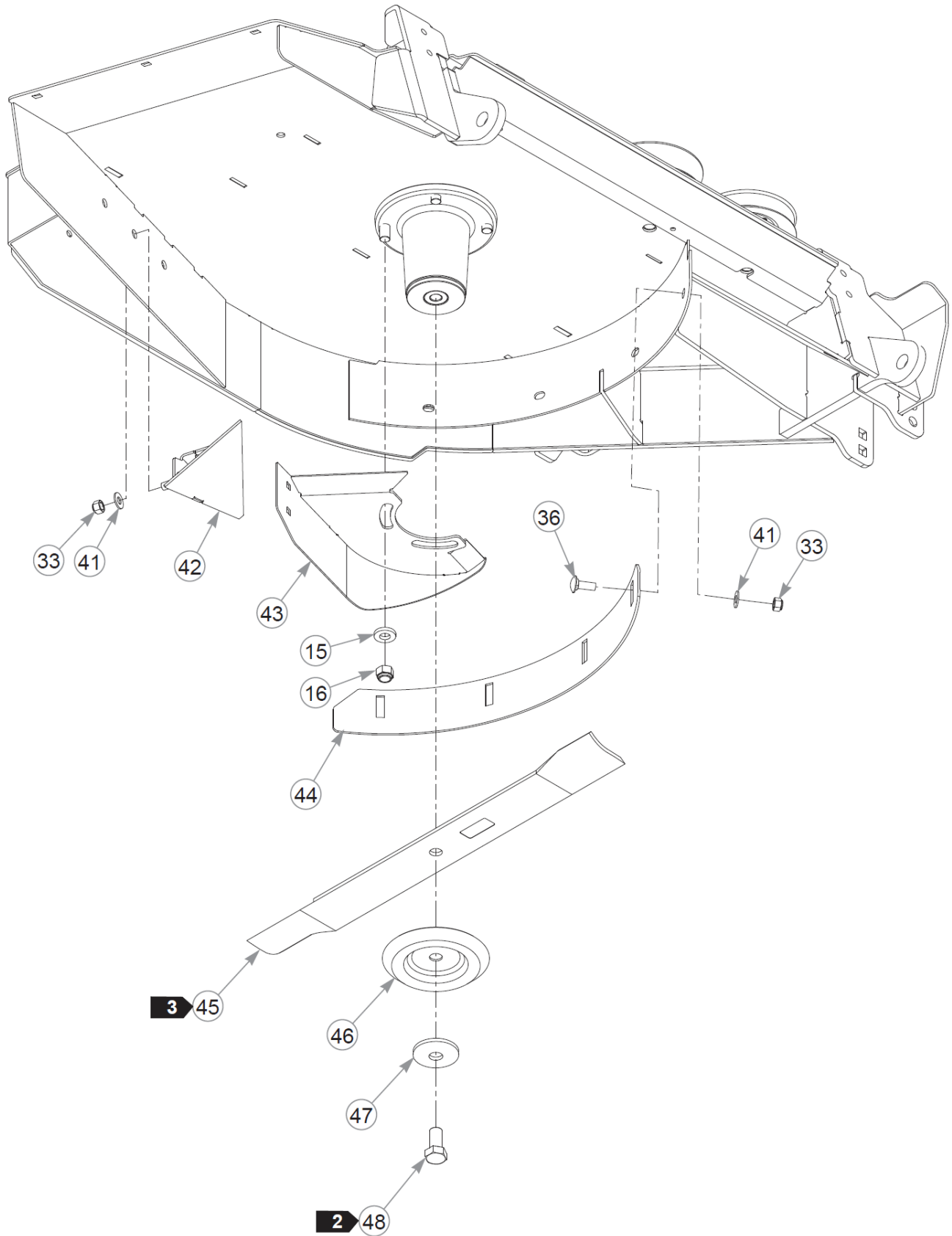
Item	Part No.	Qty	Name
1	794446	2	CS .625-11X1.500HXG5
2	028118	2	FW 0.625X1.00X.13 ZN
3	603057	2	DUST SHIELD W/OFFSET
4	605978	1	PULLEY, SPLIT IDLER
5	603784	1	IDLER, FLAT 4.0" DEEP
6	017616	3	CS .500-13X1.750HXG5
7	752386	1	CW .505 X 1.625 X .140
8	212472	1	KEY 1/4 SQ X 1.00 LG(FS)
9	538850	1	PULLEY, DRIVE(723486) B
10	469924	1	GAGE WHEEL SPACER 1/4"
11	767962	4	FW .531 x 1.063 x .175
12	025395	2	CB .375-16X 1.00 G5 ZN
13	767954	2	FW 0.379X.82X.06 HD ZN
14	086660	2	NT .375-16NLG8
15	607408	1	SPINDLE ASSY, DUCTILE
16	603846	2	NT .375-16 HX NL JAM ZN
17	060541	2	SB0.500X0.625SH0.375-16
18	705954	2	CS .500-13X1.25 HX G5 ZN
19	603964	1	GRIP, .75X4.00 BLACK
20	116573	1	PIN, LATCH
21	116574	1	PLATE, LATCH
22	603958	1	SPRING, COMPRESSION
23	005124	2	RP0.250X1.375 ZN

Comments for Page: Left Side Deck Pulleys & Spindles

1. Torque to 65–75 ft-lbs.



This page intentionally left blank



Item	Part No.	Qty	Name
1	705954	1	CS .500-13X1.25 HX G5 ZN
2	798603	1	FW .515X1.65X.12 HD ZN
3	601375	1	O-RING, SAE-14
4	603153	1	DUST CAP, SZ CASTER
5	045765	2	FW 1.030X1.50X.13 HD ZN
6	603164	1	BEARING DISC, FORK
7	784223	2	BEARING
8	784603	1	SPACER
9	469924	1	GAGE WHEEL SPACER 1/4"
10	122121	1	WHEEL TUBE ASSY
11	604096	8	CS .312-18X.625 FLTSH ZN
12	604095	4	PAD, GAUGE WHEEL
13	122123	1	FORK W/A, FRONT S104
14	606381	2	CB .500-13X6.50 STD ZN
15	767962	8	FW .531 x 1.063 x .175
16	781567	6	NT .500-13NLG5
17	306969	2	GAGE WHEEL SPACER
18	606113	2	S/C TO 606740
Not Shown	606740	1	TIR/WHL 11X4.00-5 SLV
19	089938	2	CS .500-13X4.000HXG5
20	122127	1	FORK W/A, GUAGE
21	600878	1	CS .375-16X1.75 G5 FULTD
22	054502	1	NT .375-16HXG5
23	034280	2	CS .312-18X0.750HXG5
24	768523	6	FW 0.343SAE
25	116883	1	COVER, LATCH LEFT
26	604041	2	CE .500X4.0 LANYARD PIN
27	034272	2	NT .312-18HXG5
28	604088	2	STOP PAD, WING
29	604086	4	CS .312-18X1.00 FLTSH ZN
30	603022	5	CS .312-18X.625 BH ZN
31	116614	1	PLATE, FLAP CLAMP
32	603855	1	FLAP, WING INTERSECTION
33	086660	8	NT .375-16NLG8
34	076422	3	FW 0.406X1.00X.06 ZN
35	604270	1	FLAP, WING

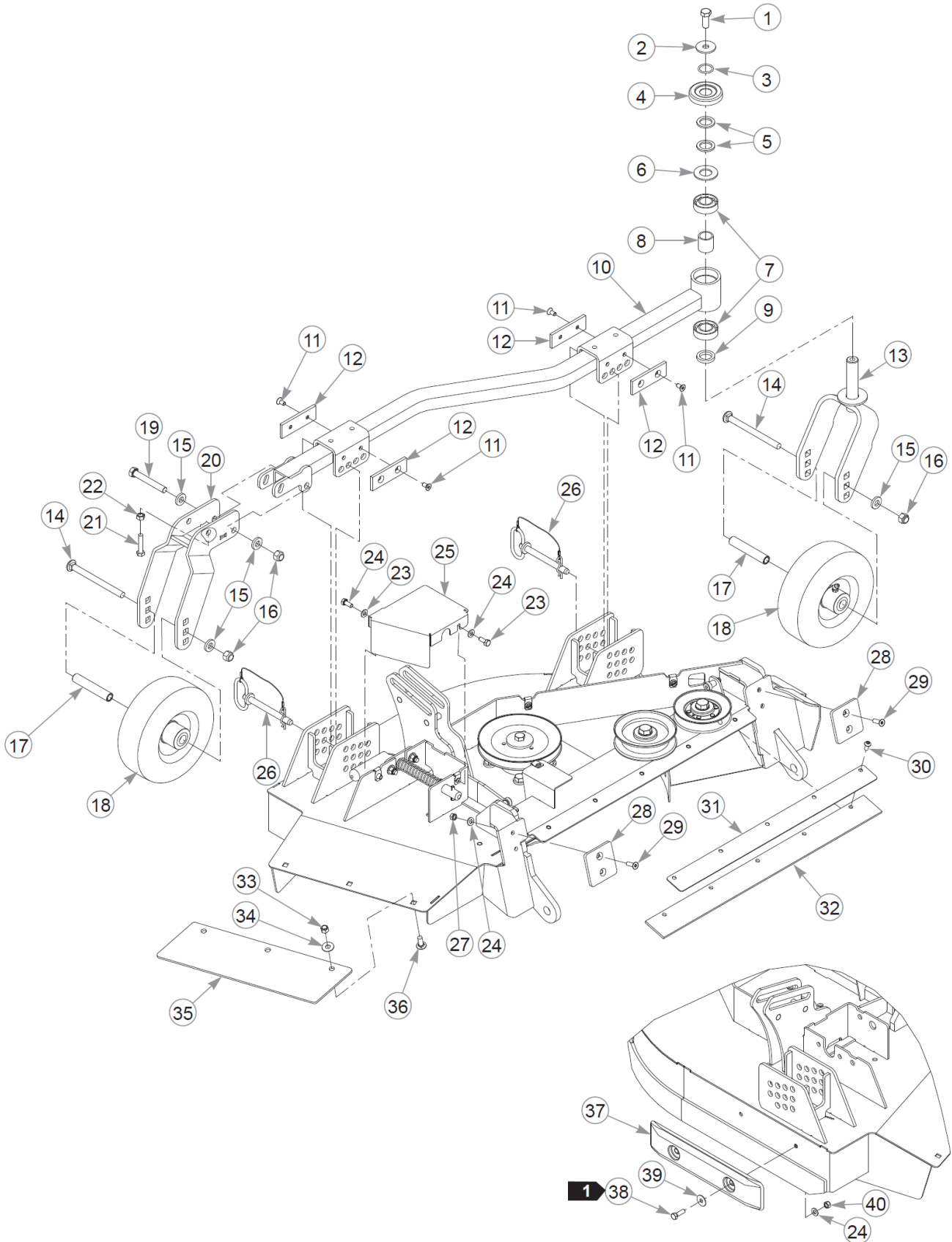
This page intentionally left blank

Item	Part No.	Qty	Name
36	025395	7	CB .375-16X 1.00 G5 ZN
37	604183	1	BUMPER, TRIM EDGE FLAT
38	036236	2	CS .312-18X1.000HXG5
39	079210	2	FW 0.344X1.0X0.06 ZN
40	058776	2	NT .312-18NLG5
41	767954	5	FW 0.379X.82X.06 HD ZN
42	116561	1	RAMP W/A, DISCHARGE CCW
43	117166	1	CUT-OFF W/A, CCW
44	122719	1	WRAPPER EXT, WING
45	606392	1	BLADE, 23.86" L-F-CCW
Not Shown	796508	1	BLADE, F23.86-L-F-CCW
Not Shown	601929	1	BLADE, 23.86" GAT-F-CCW
Not Shown	604164	1	BLADE, 23.86"-MUL-F-CCW
46	114988	1	SHIELD, BLADE BOLT
47	782474	1	CW .678 X 2.250 X .187
48	604383	1	CS .625-11X1.250 G5 LHT

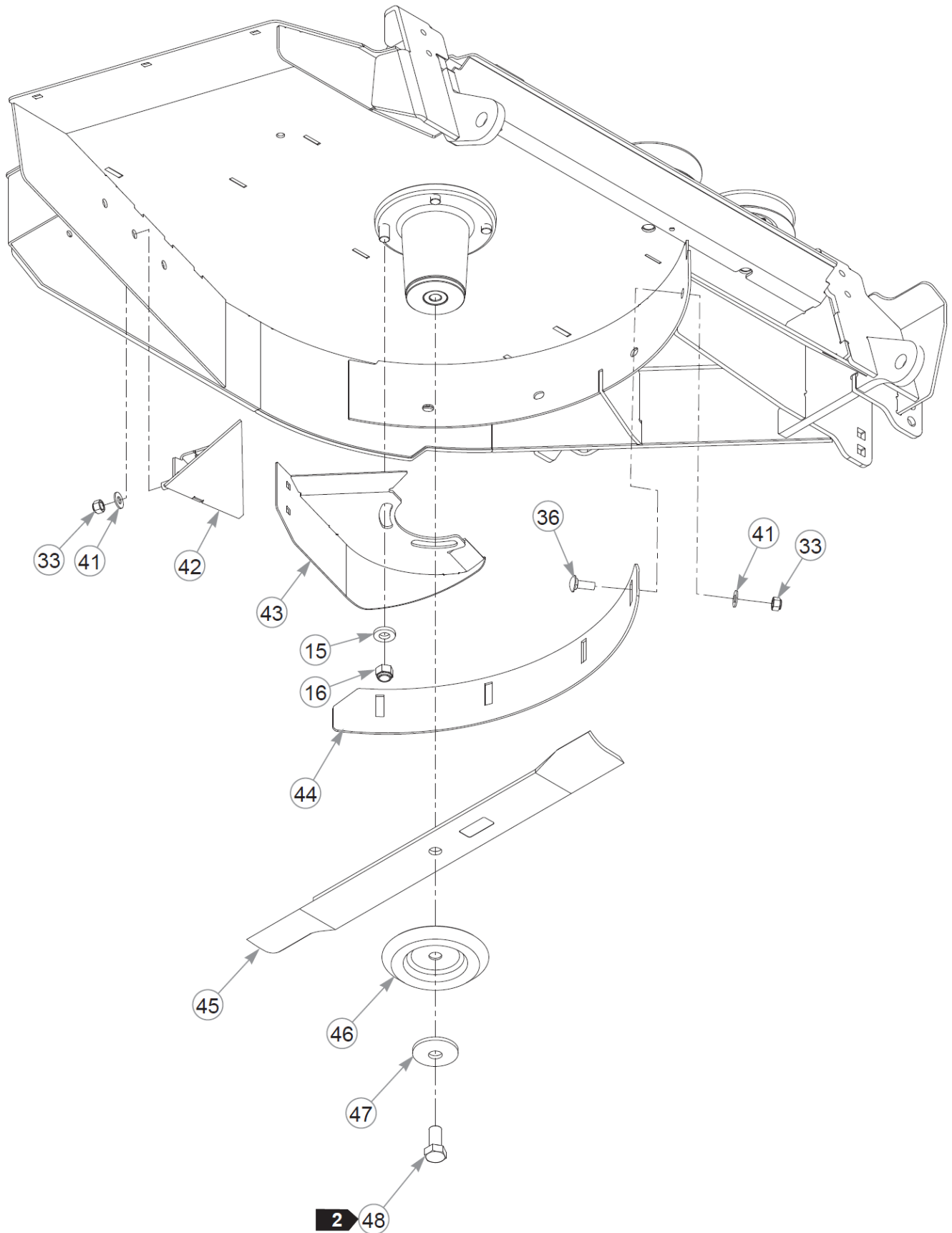
Comments for Page: Left Side Deck Assembly & Blades - S/N 16030051 & Higher (Multi-Page)

1. Torque to 10 ft-lbs.
2. Torque to 118 ft-lbs.
3. For mowers prior to S/N 17083520, when replacing the blade, also replace the clutch.

Blade 606392 is used on mowers S/N 18026653 & higher. 796508 is used on mowers prior to S/N 18026653.



This page intentionally left blank



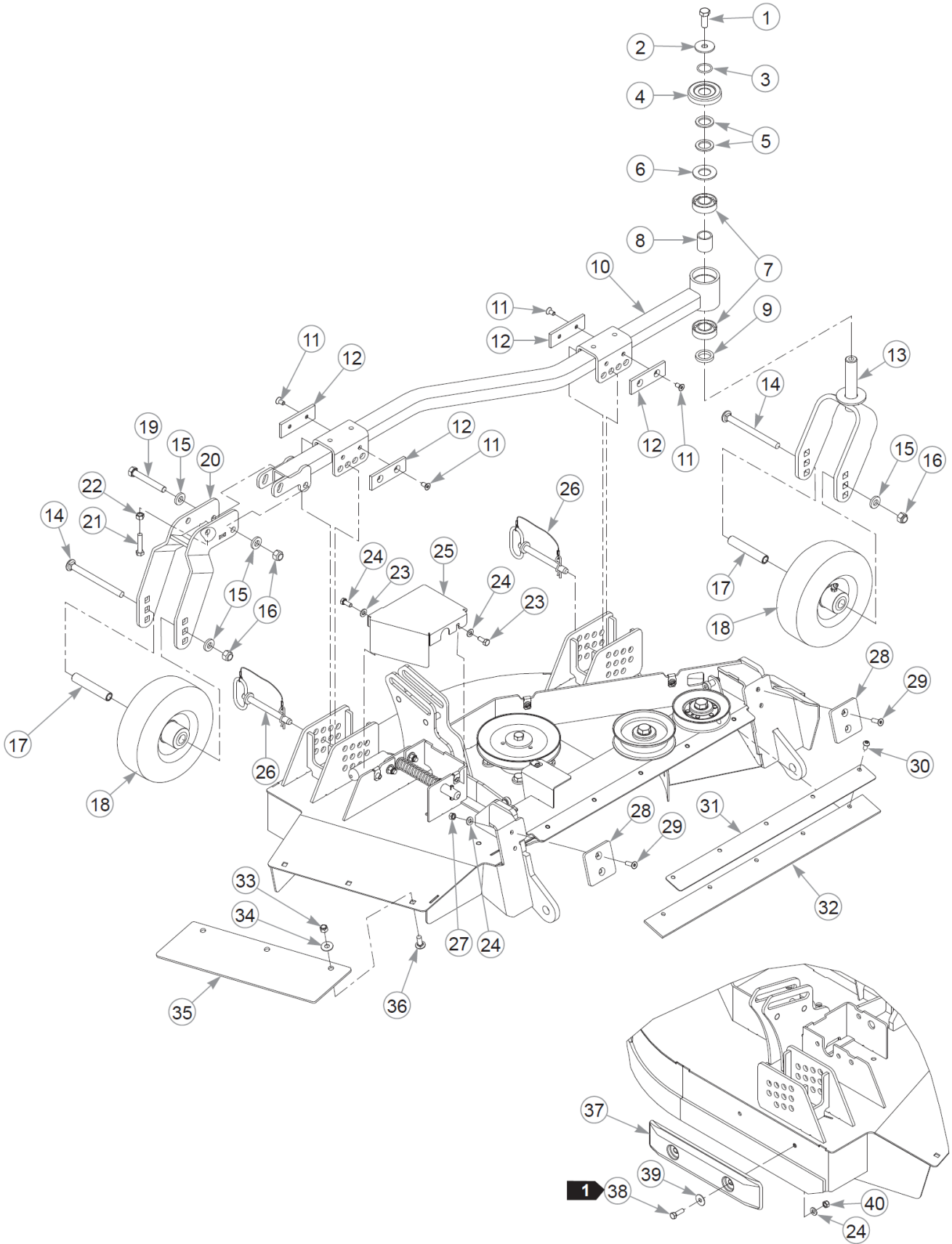
Item	Part No.	Qty	Name
1	705954	1	CS .500-13X1.25 HX G5 ZN
2	798603	1	FW .515X1.65X.12 HD ZN
3	601375	1	O-RING, SAE-14
4	603153	1	DUST CAP, SZ CASTER
5	045765	2	FW 1.030X1.50X.13 HD ZN
6	603164	1	BEARING DISC, FORK
7	784223	2	BEARING
8	784603	1	SPACER
9	469924	1	GAGE WHEEL SPACER 1/4"
10	116294	1	GAUGE WHEEL W/A, LEFT
11	604096	8	CS .312-18X.625 FLTSH ZN
12	604095	4	PAD, GAUGE WHEEL
13	123166	1	FORK W/A, FRON S104
14	792077	2	CB .50-13 X 6 STD ZN
15	767962	8	FW .531 x 1.063 x .175
16	781567	6	NT .500-13NLG5
17	604089	2	SPACER, GAUGE WHEEL
18	606125	2	TIR/WHL 9X3.50-4 SLV
Comments for Part Num. 606125			
Heavy Duty bearings.			
19	061812	2	CS .500-13X3.50 HX G5 ZN
20	116075	1	FORK W/A, REAR S104
21	600878	1	CS .375-16X1.75 G5 FULTD
22	054502	1	NT .375-16HXG5
23	034280	2	CS .312-18X0.750HXG5
24	768523	6	FW 0.343SAE
25	116883	1	COVER, LATCH LEFT
26	604041	2	CE .500X4.0 LANYARD PIN
27	034272	2	NT .312-18HXG5
28	604088	2	STOP PAD, WING
29	604086	4	CS .312-18X1.00 FLTSH ZN
30	603022	5	CS .312-18X.625 BH ZN
31	116614	1	PLATE, FLAP CLAMP
32	603855	1	FLAP, WING INTERSECTION
33	086660	8	NT .375-16NLG8

This page intentionally left blank

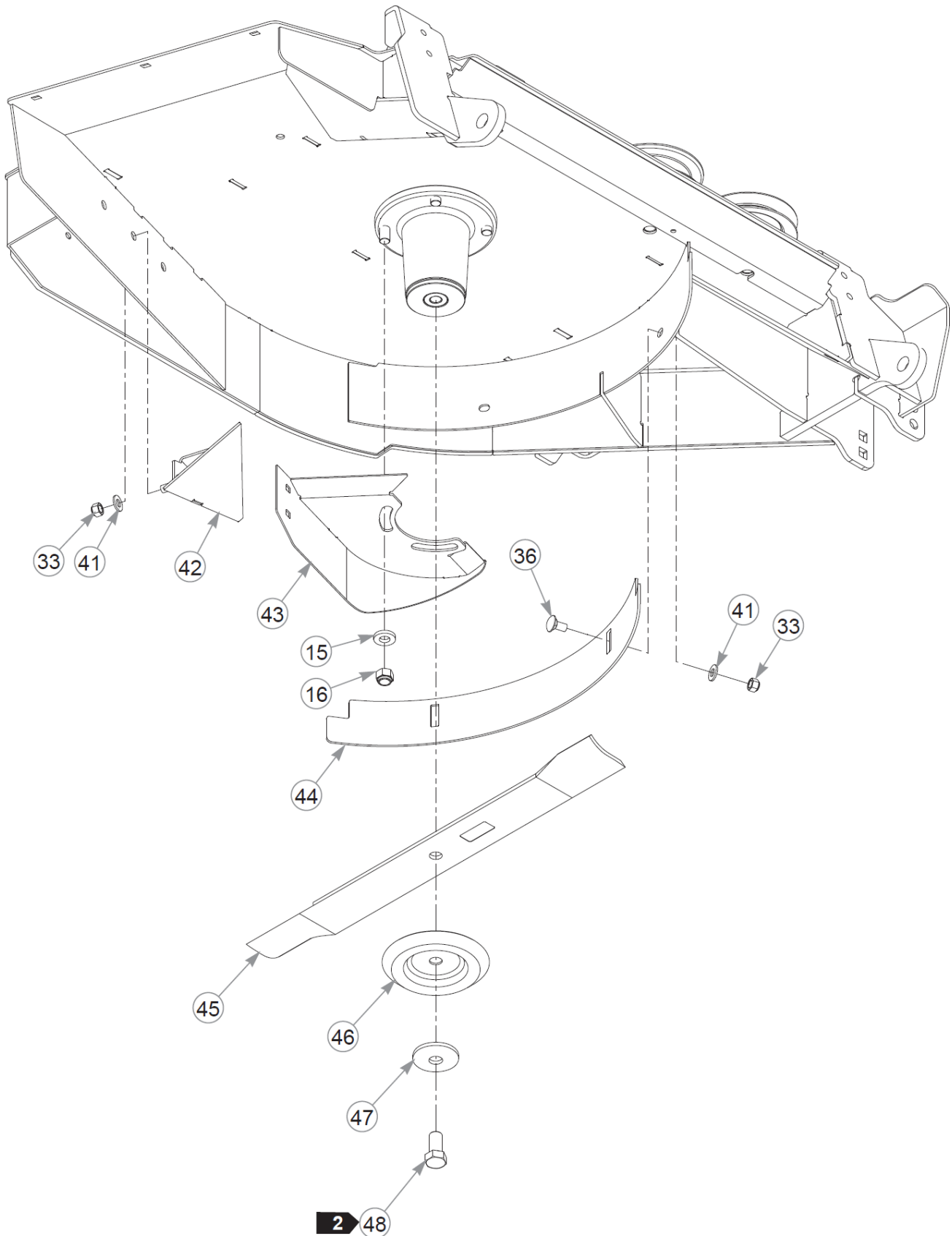
Item	Part No.	Qty	Name
34	076422	3	FW 0.406X1.00X.06 ZN
35	604270	1	FLAP, WING
36	025395	7	CB .375-16X 1.00 G5 ZN
37	604183	1	BUMPER, TRIM EDGE FLAT
38	036236	2	CS .312-18X1.000HXG5
39	079210	2	FW 0.344X1.0X0.06 ZN
40	058776	2	NT .312-18NLG5
41	767954	5	FW 0.379X.82X.06 HD ZN
42	116561	1	RAMP W/A, DISCHARGE CCW
43	117166	1	CUT-OFF W/A, CCW
44	122719	1	WRAPPER EXT, WING
45	796508	1	BLADE, F23.86-L-F-CCW
Not Shown	601929	1	BLADE, 23.86" GAT-F-CCW
Not Shown	604164	1	BLADE, 23.86"-MUL-F-CCW
46	114988	1	SHIELD, BLADE BOLT
47	782474	1	CW .678 X 2.250 X .187
48	604383	1	CS .625-11X1.250 G5 LHT

Comments for Page: Left Side Deck Assembly & Blades - S/N 16010000 to 16030050 (Multi-Page)

1. Torque to 10 ft-lbs.
2. Torque to 118 ft-lbs.



This page intentionally left blank



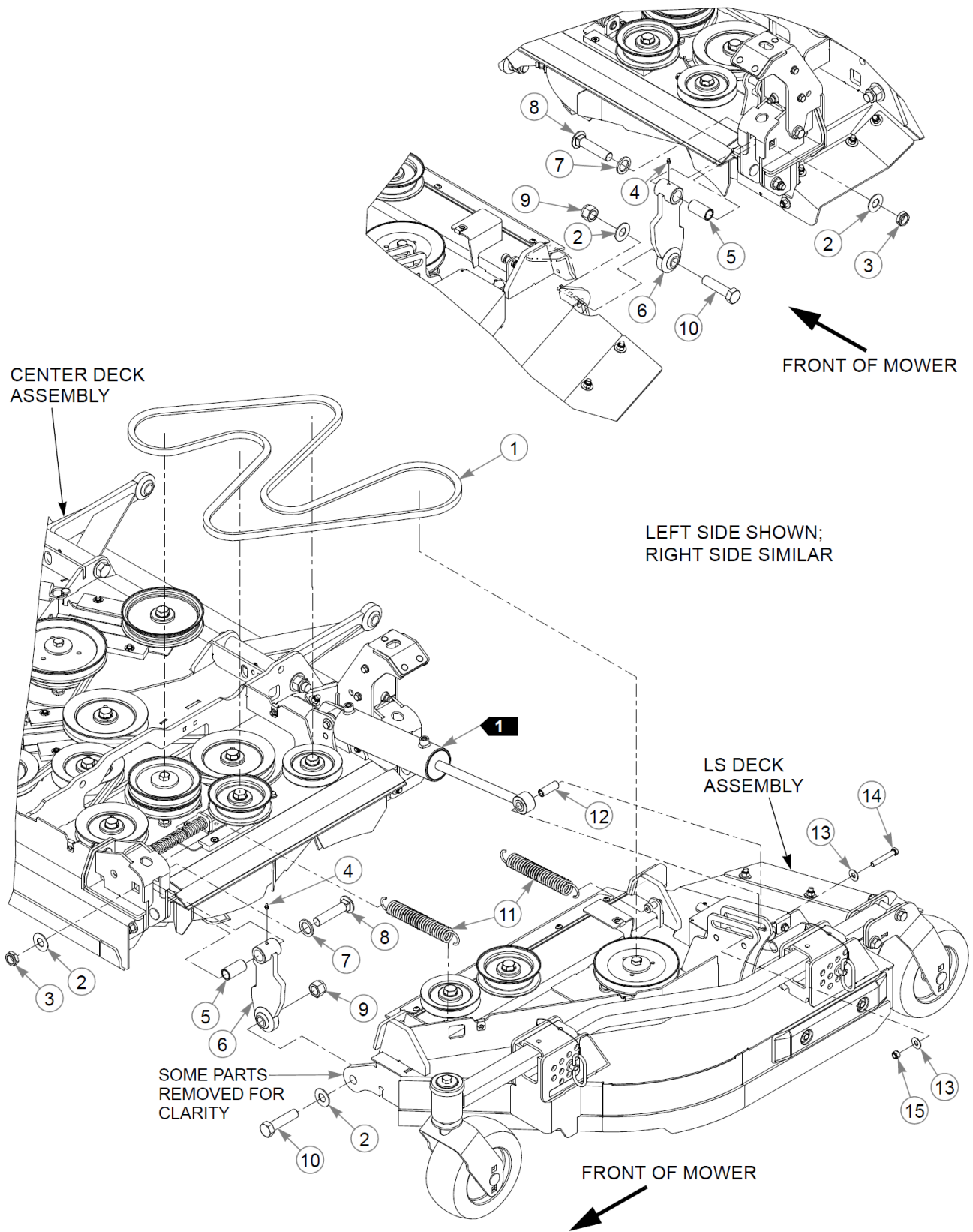
Item	Part No.	Qty	Name
1	705954	1	CS .500-13X1.25 HX G5 ZN
2	798603	1	FW .515X1.65X.12 HD ZN
3	601375	1	O-RING, SAE-14
4	603153	1	DUST CAP, SZ CASTER
5	045765	2	FW 1.030X1.50X.13 HD ZN
6	603164	1	BEARING DISC, FORK
7	784223	2	BEARING
8	784603	1	SPACER
9	469924	1	GAGE WHEEL SPACER 1/4"
10	116294	1	GAUGE WHEEL W/A, LEFT
11	604096	8	CS .312-18X.625 FLTSH ZN
12	604095	4	PAD, GAUGE WHEEL
13	123166	1	FORK W/A, FRON S104
14	792077	2	CB .50-13 X 6 STD ZN
15	767962	8	FW .531 x 1.063 x .175
16	781567	6	NT .500-13NLG5
17	604089	2	SPACER, GAUGE WHEEL
18	606125	2	TIR/WHL 9X3.50-4 SLV
Comments for Part Num. 606125			
Heavy Duty bearings.			
19	061812	2	CS .500-13X3.50 HX G5 ZN
20	116075	1	FORK W/A, REAR S104
21	600878	1	CS .375-16X1.75 G5 FULTD
22	054502	1	NT .375-16HXG5
23	034280	2	CS .312-18X0.750HXG5
24	768523	6	FW 0.343SAE
25	116883	1	COVER, LATCH LEFT
26	604041	2	CE .500X4.0 LANYARD PIN
27	034272	2	NT .312-18HXG5
28	604088	2	STOP PAD, WING
29	604086	4	CS .312-18X1.00 FLTSH ZN
30	603022	5	CS .312-18X.625 BH ZN
31	116614	1	PLATE, FLAP CLAMP
32	603855	1	FLAP, WING INTERSECTION
33	086660	6	NT .375-16NLG8

This page intentionally left blank

Item	Part No.	Qty	Name
34	076422	3	FW 0.406X1.00X.06 ZN
35	604270	1	FLAP, WING
36	025395	5	CB .375-16X 1.00 G5 ZN
37	604183	1	BUMPER, TRIM EDGE FLAT
38	036236	2	CS .312-18X1.000HXG5
39	079210	2	FW 0.344X1.0X0.06 ZN
40	058776	2	NT .312-18NLG5
41	767954	3	FW 0.379X.82X.06 HD ZN
42	116561	1	RAMP W/A, DISCHARGE CCW
43	117166	1	CUT-OFF W/A, CCW
44	116638	1	WRAPPER EXT, WING
45	796508	1	BLADE, F23.86-L-F-CCW
Not Shown	601929	1	BLADE, 23.86" GAT-F-CCW
Not Shown	604164	1	BLADE, 23.86"-MUL-F-CCW
46	114988	1	SHIELD, BLADE BOLT
47	782474	1	CW .678 X 2.250 X .187
48	604383	1	CS .625-11X1.250 G5 LHT

Comments for Page: Left Side Deck Assembly & Blades - S/N Prior to 16010000 (Multi-Page)

1. Torque to 10 ft-lbs.
2. Torque to 118 ft-lbs.

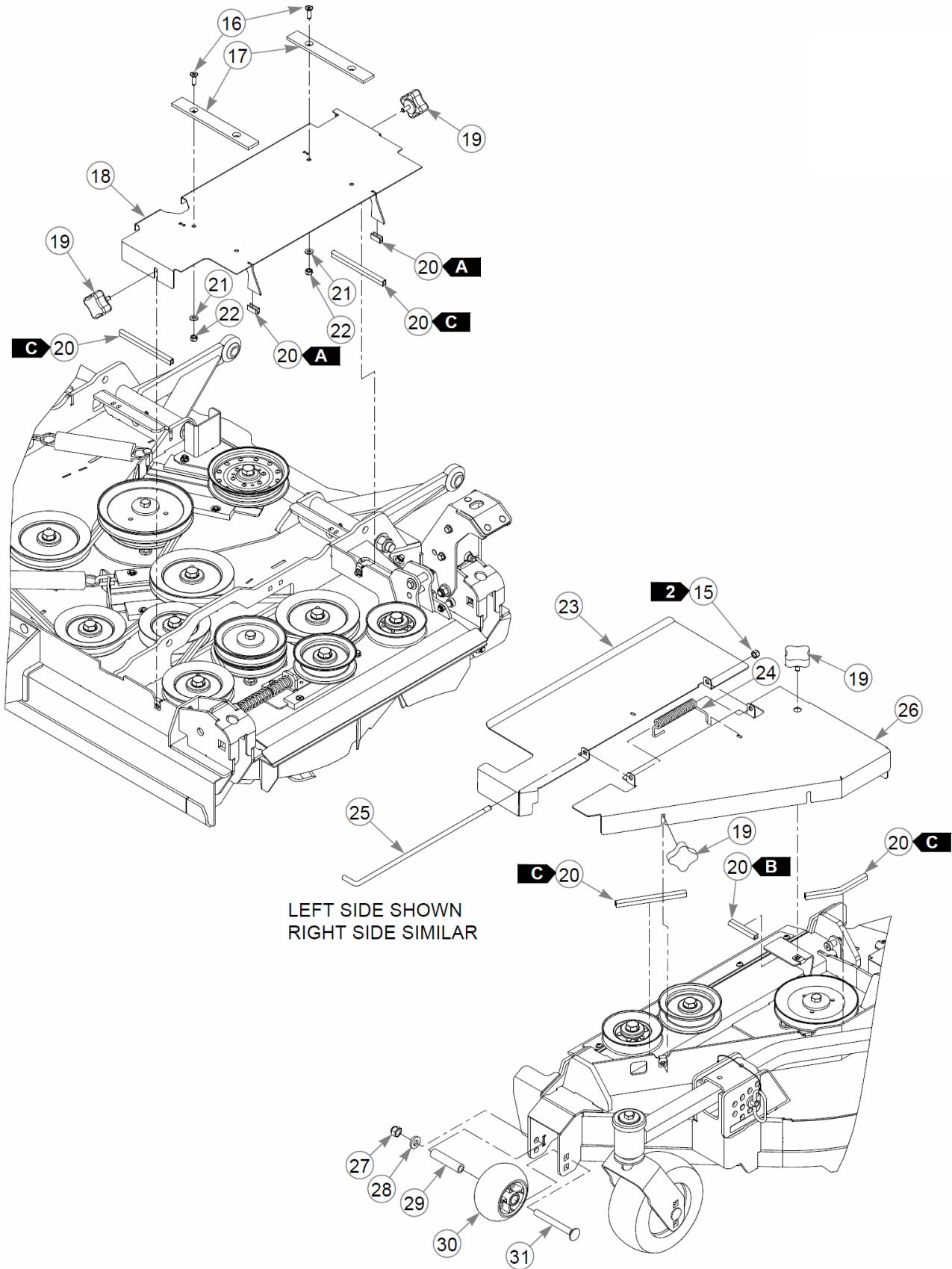


Item	Part No.	Qty	Name
1	603885	2	DECK BELT
2	025296	8	FW .760X1.63X0.08 ZN
3	604495	4	NT .750-10 NL JAM
4	015495	4	GREASE FITTING STRAIGHT
5	116558	4	BUSHING, PIVOT LINK
6	116555	4	LINK W/A, WING PIVOT
7	606199	4	FW SQ 0.781X1.50X.13 ZN
8	603953	4	CB .750-10X3.500 G5 ZN
9	061101	4	NT .750-10 HX ZN NL GR B
10	051169	4	CS .750-10X3.000HXG5
11	603966	4	SPRING, TENSION1.25X6.00
12	604290	2	SPACER, CYLINDER
13	076422	4	FW 0.406X1.00X.06 ZN
14	016428	2	CS .375-16X2.500HXG5
15	086660	4	NT .375-16NLG8
16	604086	8	CS .312-18X1.00 FLTSH ZN
17	604028	4	SLIDE, PULLEY COVER
18	117248	1	COVER W/A, LEFT
Not Shown	117247	1	COVER W/A, RIGHT
19	792002	10	KNOB,5/16-18 X 3/4"MALE
20	033001	58"	FLEXIBLE TRIM UNI-GRIP
21	768523	8	FW 0.343SAE
22	058776	8	NT .312-18NLG5
23	116601	1	COVER, LH WING INT
Not Shown	116600	1	COVER, RH WING INT
24	602435	2	SPRING, TORSION
25	602432	2	PIN, CHUTE
26	116545	1	COVER, WING LH
Not Shown	116544	1	COVER, WING RH
27	781567	2	NT .500-13NLG5
28	767962	2	FW .531 x 1.063 x .175
29	602345	2	SPACER, ANTI-SCALP 3.22
30	602263	2	WHEEL, ANTI-SCALP
31	602339	2	CB .50-13 X 4.50 STD ZN

Comments for Page: Deck & Wing Assembly (P1 OF 2)

1. Part of the hydraulic assembly.

This page intentionally left blank



Item	Part No.	Qty	Name
1	603885	2	DECK BELT
2	025296	8	FW .760X1.63X0.08 ZN
3	604495	4	NT .750-10 NL JAM
4	015495	4	GREASE FITTING STRAIGHT
5	116558	4	BUSHING, PIVOT LINK
6	116555	4	LINK W/A, WING PIVOT
7	045765	4	FW 1.030X1.50X.13 HD ZN
8	603953	4	CB .750-10X3.500 G5 ZN
9	061101	4	NT .750-10 HX ZN NL GR B
10	051169	4	CS .750-10X3.000HXG5
11	603966	4	SPRING, TENSION1.25X6.00
12	604290	2	SPACER, CYLINDER
13	076422	4	FW 0.406X1.00X.06 ZN
14	016428	2	CS .375-16X2.500HXG5
15	086660	4	NT .375-16NLG8
16	604086	8	CS .312-18X1.00 FLTSH ZN
17	604028	4	SLIDE, PULLEY COVER
18	117248	1	COVER W/A, LEFT
REF	117247	1	COVER W/A, RIGHT
19	792002	10	KNOB,5/16-18 X 3/4"MALE
20	033001	58"	FLEXIBLE TRIM UNI-GRIP
21	768523	8	FW 0.343SAE
22	058776	8	NT .312-18NLG5
23	116601	1	COVER, LH WING INT
REF	116600	1	COVER, RH WING INT
24	602435	2	SPRING, TORSION
25	602432	2	PIN, CHUTE
26	116545	1	COVER, WING LH
REF	116544	1	COVER, WING RH
27	781567	2	NT .500-13NLG5
28	767962	2	FW .531 x 1.063 x .175
29	602345	2	SPACER, ANTI-SCALP 3.22
30	602263	2	WHEEL, ANTI-SCALP
31	602339	2	CB .50-13 X 4.50 STD ZN

Comments for Page: Deck & Wing Assembly (P2 OF 2)

2. Do not torque; the cover should pivot freely.

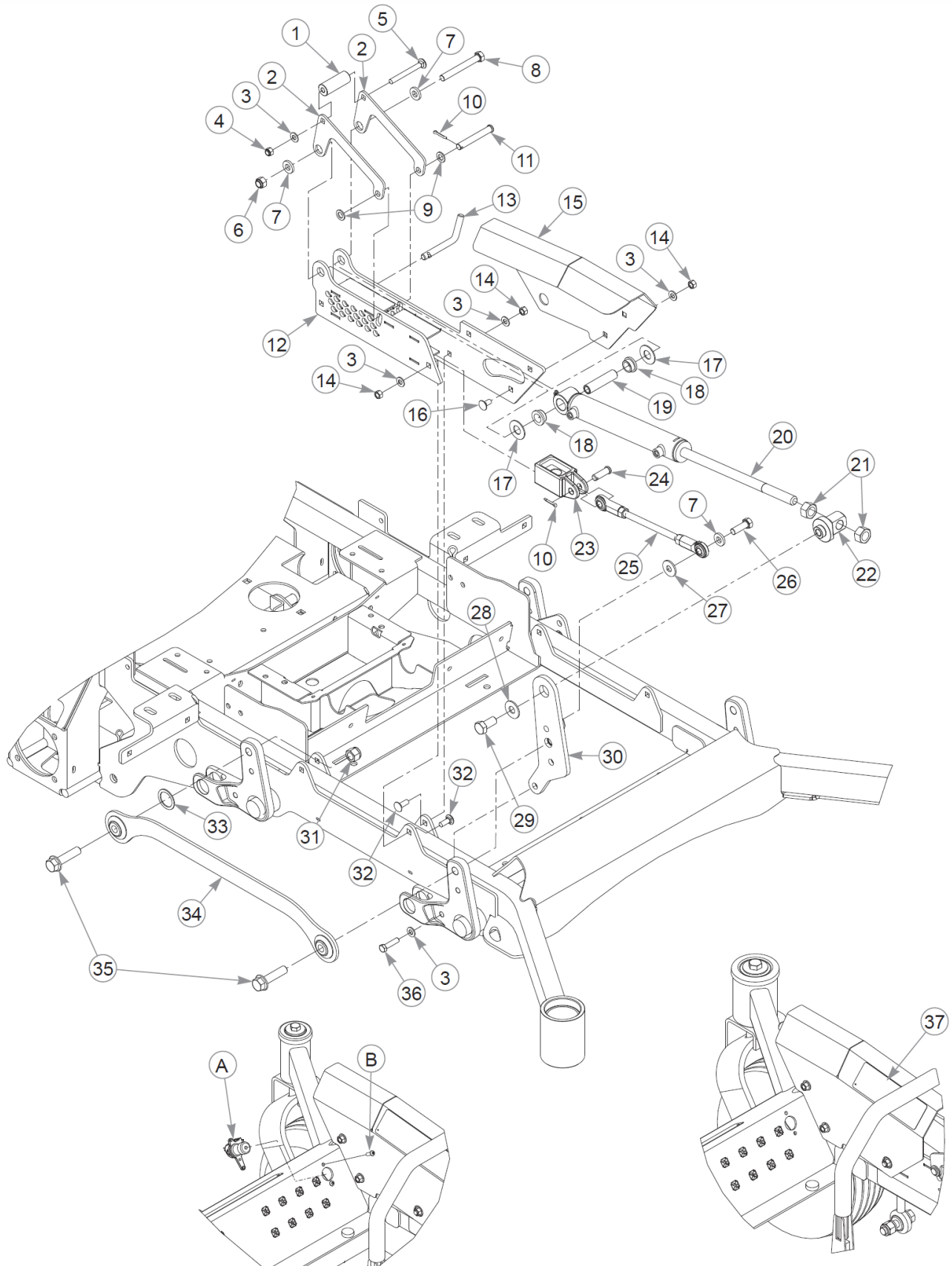
TRIM LENGTHS

FLAG A 1"

FLAG B 3"

FLAG C 6"

This page intentionally left blank



Item	Part No.	Qty	Name
1	117489	1	SPACER, LATCH
2	117488	2	ARM, LATCH
3	767954	20	FW 0.379X.82X.06 HD ZN
4	086660	20	NT .375-16NLG8
5	041848	1	CB .375-16X 3.500 FUL Z
6	781567	2	NT .500-13NLG5
7	767962	5	FW .531 x 1.063 x .175
8	089938	1	CS .500-13X4.000HXG5
9	718288	2	FW .516X.88X.09 ZN
10	017251	2	CP .156DX1.000 LG HML Z
11	025965	1	CE .500X3.50 .156X3.34
12	117320	1	W/A, CUT HT. INDICATOR
13	604076	1	PIN, DECK HEIGHT STOP
14	054502	9	NT .375-16HXG5
15	117492	1	GUARD, RH FRAME
16	011320	13	CB .375-16X .750 STD ZN
17	025296	6	FW .760X1.63X0.08 ZN
18	770867	2	BUSHING, PLAS .750x1(FS)
19	604075	1	SPACER, CYLINDER
20	604073	1	S/C TO 607679
21	008417	2	NT .750-10HXG5
22	602897	1	BLOCK, DECK LIFT
23	604069	1	SLIDER, DECK LIFT
24	068056	1	CE .500X1.50 .150X1.32
25	604072	1	ROD END ASSEMBLY
26	074252	1	CS .500-13X1.50 HX G5 ZN
27	712976	1	FW 0.531X1.38X.12 ZN
28	704783	1	FW 0.625X1.500X0.105
29	781872	1	CS .625-11X1.250HXG5
30	116784	1	BRACKET W/A, DECK LIFT
31	058768	6	NT .625-11 HXZN NY
32	025395	14	CB .375-16X 1.00 G5 ZN
33	117188	2	LINK SPACER
34	116730	2	W/A, DECK LINK
35	604043	8	CS .625-11x2.500FLGG5
36	080655	4	CS .375-16X1.500HXG5

This page intentionally left blank

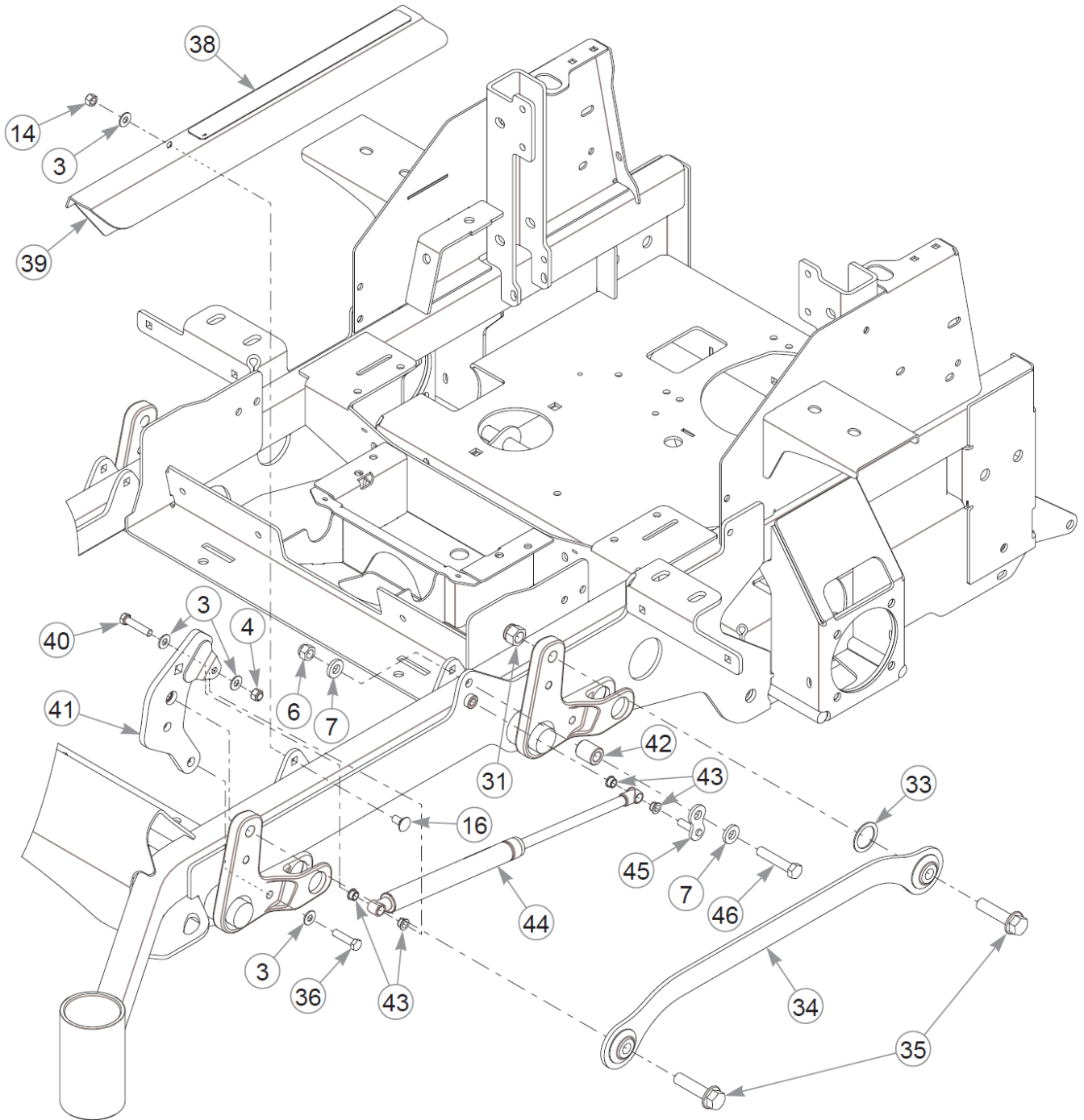
Item	Part No.	Qty	Name
37	604878	1	DECAL, CUT HEIGHT

Comments for Page: Deck Lift (P1 OF 2)

S/N PRIOR TO 13100061 ONLY:

A6043721SWITCH

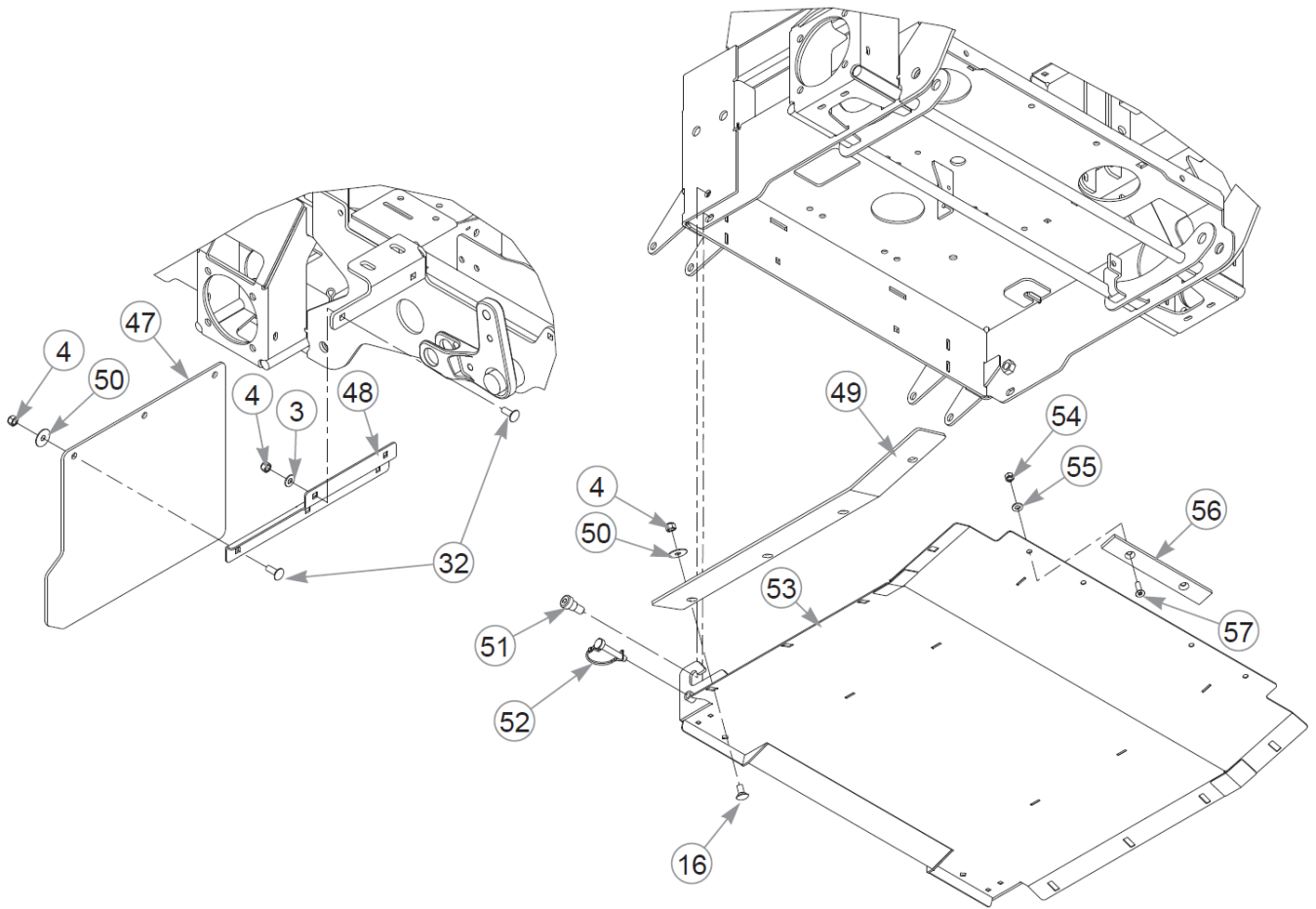
B6012982CS .250-20 X .75 BH ZNC



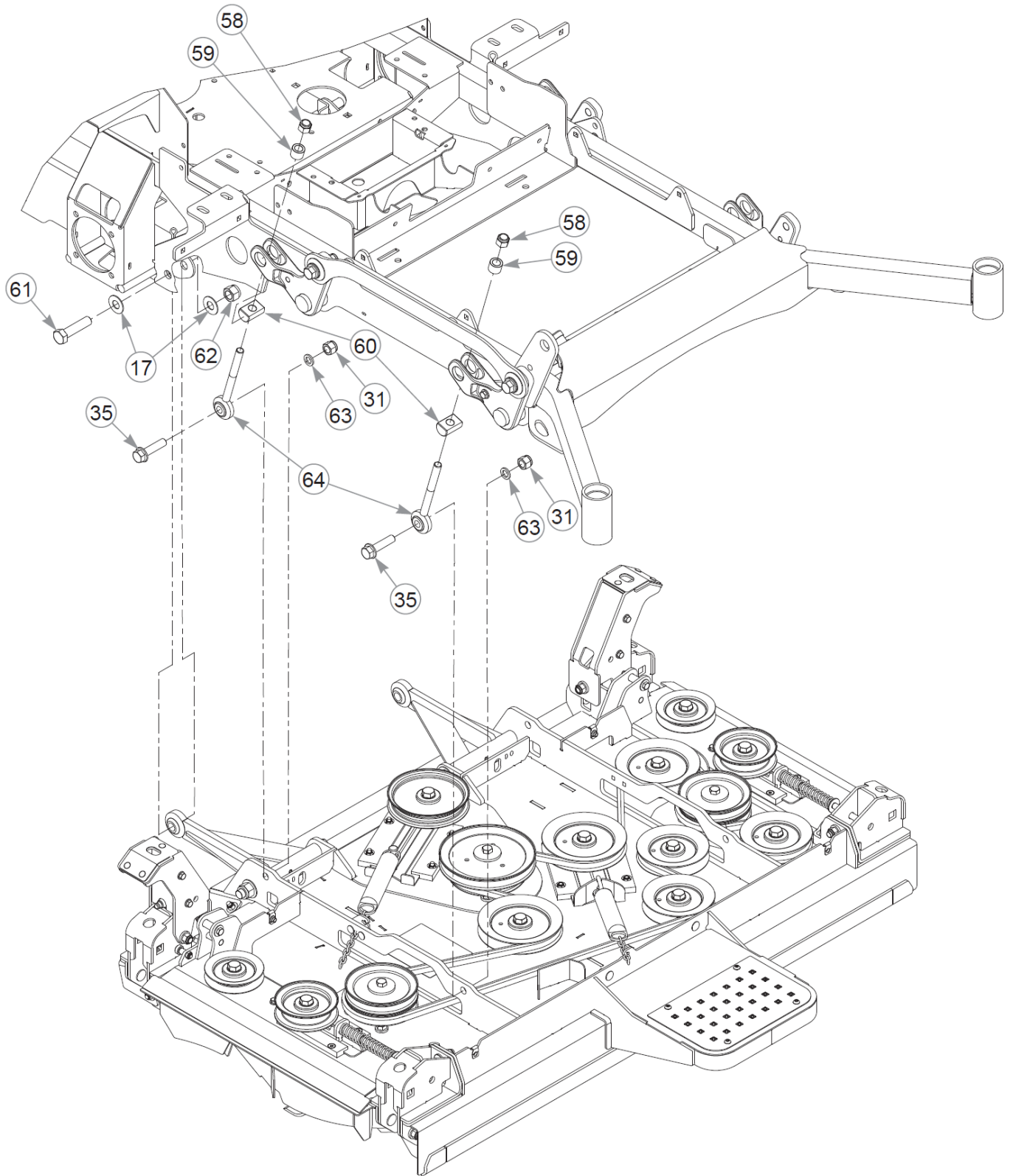
Item	Part No.	Qty	Name
1	117489	1	SPACER, LATCH
2	117488	2	ARM, LATCH
3	767954	20	FW 0.379X.82X.06 HD ZN
4	086660	20	NT .375-16NLG8
5	041848	1	CB .375-16X 3.500 FUL Z
6	781567	2	NT .500-13NLG5
7	767962	5	FW .531 x 1.063 x .175
8	089938	1	CS .500-13X4.000HXG5
9	718288	2	FW .516X.88X.09 ZN
10	017251	2	CP .156DX1.000 LG HML Z
11	025965	1	CE .500X3.50 .156X3.34
12	117320	1	W/A, CUT HT. INDICATOR
13	604076	1	PIN, DECK HEIGHT STOP
14	054502	9	NT .375-16HXG5
15	117492	1	GUARD, RH FRAME
16	011320	13	CB .375-16X .750 STD ZN
17	025296	6	FW .760X1.63X0.08 ZN
18	770867	2	BUSHING, PLAS .750x1(FS)
19	604075	1	SPACER, CYLINDER
20	604073	1	S/C TO 607679
21	008417	2	NT .750-10HXG5
22	602897	1	BLOCK, DECK LIFT
23	604069	1	SLIDER, DECK LIFT
24	068056	1	CE .500X1.50 .150X1.32
25	604072	1	ROD END ASSEMBLY
26	074252	1	CS .500-13X1.50 HX G5 ZN
27	712976	1	FW 0.531X1.38X.12 ZN
28	704783	1	FW 0.625X1.500X0.105
29	781872	1	CS .625-11X1.250HXG5
30	116784	1	BRACKET W/A, DECK LIFT
31	058768	6	NT .625-11 HXZN NY
32	025395	14	CB .375-16X 1.00 G5 ZN
33	117188	2	LINK SPACER
34	116730	2	W/A, DECK LINK
35	604043	8	CS .625-11x2.500FLGG5
36	080655	4	CS .375-16X1.500HXG5

This page intentionally left blank

Item	Part No.	Qty	Name
37	604878	1	DECAL, CUT HEIGHT
38	601993	1	DECAL, SAFE OPERATION
39	117487	1	GUARD, LH FRAME
40	705178	1	CS .375-16X1.750HXG5
41	117318	1	W/A, CYLINDER MOUNT
42	116206	1	BRACKET SPACER
43	765339	4	BUSHING,IGUS#0608 (FS)
44	604037	1	GAS SPRING, DECK LIFT
45	116203	1	CYLINDER BRACKET W/A
46	008573	1	CS .500-13X2.500HXG5



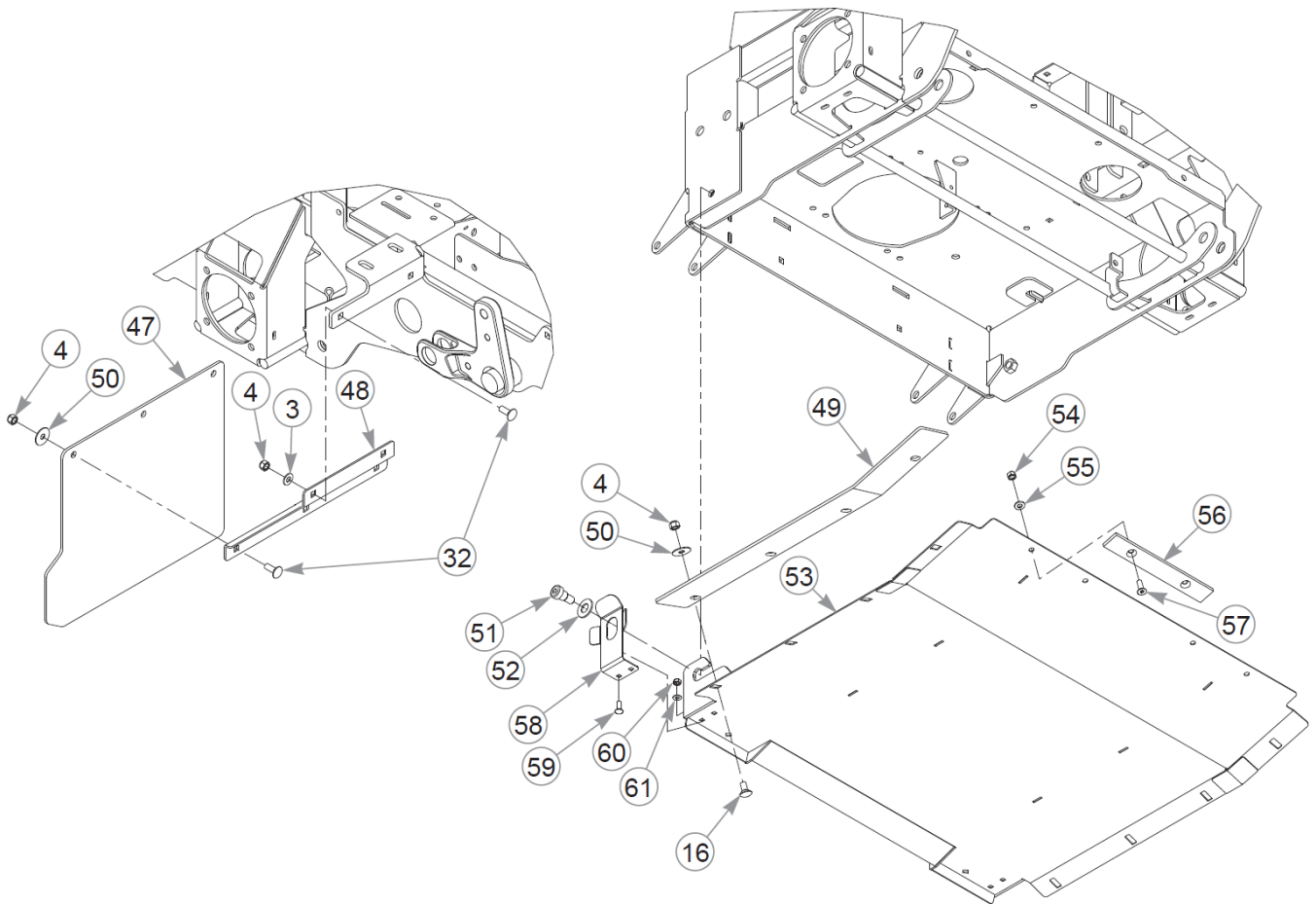
This page intentionally left blank



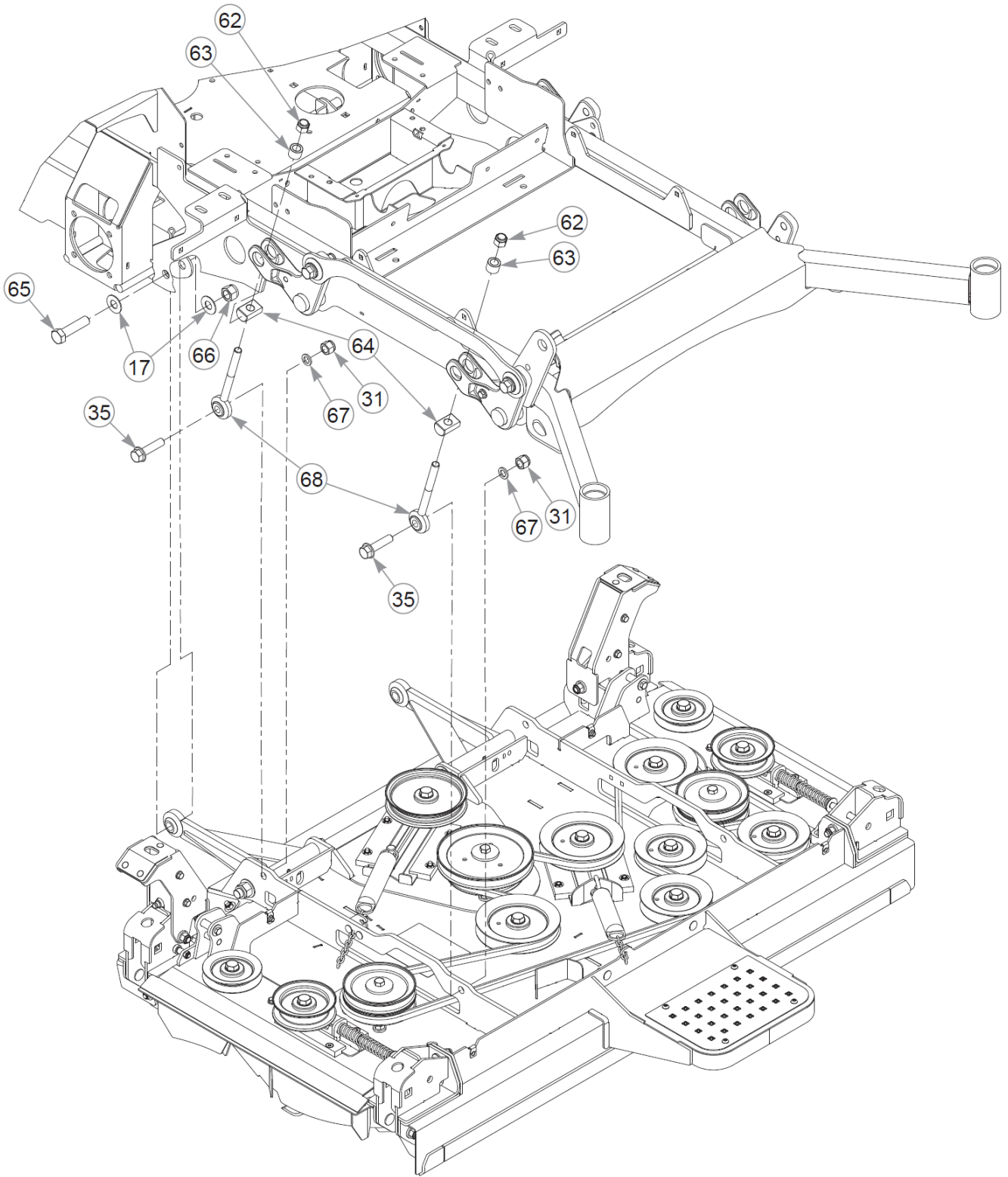
Item	Part No.	Qty	Name
1	117489	1	SPACER, LATCH
2	117488	2	ARM, LATCH
3	767954	20	FW 0.379X.82X.06 HD ZN
4	086660	20	NT .375-16NLG8
5	041848	1	CB .375-16X 3.500 FUL Z
6	781567	2	NT .500-13NLG5
7	767962	5	FW .531 x 1.063 x .175
8	089938	1	CS .500-13X4.000HXG5
9	718288	2	FW .516X.88X.09 ZN
10	017251	2	CP .156DX1.000 LG HML Z
11	025965	1	CE .500X3.50 .156X3.34
12	117320	1	W/A, CUT HT. INDICATOR
13	604076	1	PIN, DECK HEIGHT STOP
14	054502	9	NT .375-16HXG5
15	117492	1	GUARD, RH FRAME
16	011320	13	CB .375-16X .750 STD ZN
17	025296	6	FW .760X1.63X0.08 ZN
18	770867	2	BUSHING, PLAS .750x1(FS)
19	604075	1	SPACER, CYLINDER
20	604073	1	S/C TO 607679
21	008417	2	NT .750-10HXG5
22	602897	1	BLOCK, DECK LIFT
23	604069	1	SLIDER, DECK LIFT
24	068056	1	CE .500X1.50 .150X1.32
25	604072	1	ROD END ASSEMBLY
26	074252	1	CS .500-13X1.50 HX G5 ZN
27	712976	1	FW 0.531X1.38X.12 ZN
28	704783	1	FW 0.625X1.500X0.105
29	781872	1	CS .625-11X1.250HXG5
30	116784	1	BRACKET W/A, DECK LIFT
31	058768	6	NT .625-11 HXZN NY
32	025395	14	CB .375-16X 1.00 G5 ZN
33	117188	2	LINK SPACER
34	116730	2	W/A, DECK LINK
35	604043	8	CS .625-11x2.500FLGG5
36	080655	4	CS .375-16X1.500HXG5

This page intentionally left blank

Item	Part No.	Qty	Name
37	604878	1	DECAL, CUT HEIGHT
38	601993	1	DECAL, SAFE OPERATION
39	117487	1	GUARD, LH FRAME
40	705178	1	CS .375-16X1.750HXG5
41	117318	1	W/A, CYLINDER MOUNT
42	116206	1	BRACKET SPACER
43	765339	4	BUSHING,IGUS#0608 (FS)
44	604037	1	GAS SPRING, DECK LIFT
45	116203	1	CYLINDER BRACKET W/A
46	008573	1	CS .500-13X2.500HXG5
47	604266	2	FLAP, WHEEL
48	124386-1	1	ANGLE, FLAP MOUNT RH
Not Shown	124388-1	1	ANGLE, FLAP MOUNT LH
49	604238	2	FLAP, BELLY PAN
50	705137	14	FW 0.391X1.25X.06 ZN
51	604239	2	SB .625X.50SH .500-13
52	604803	2	CE .375 x 2.00 W/BALE
53	119463	1	BELLY PAN W/A
54	058776	4	NT .312-18NLG5
55	768523	4	FW 0.343SAE
56	604028	2	SLIDE, PULLEY COVER
57	604086	4	CS .312-18X1.00 FLTSH ZN
58	604232	4	NT .625-18NLKG5
59	603903	4	DECK LEVEL SPACER
60	603902	4	DECK LEVEL PIVOT
61	789115	2	CS .750-10X3.500HXG5
62	061101	2	NT .750-10 HX ZN NL GR B
63	028118	4	FW 0.625X1.00X.13 ZN
64	116732	4	W/A, DECK LEVEL ROD END



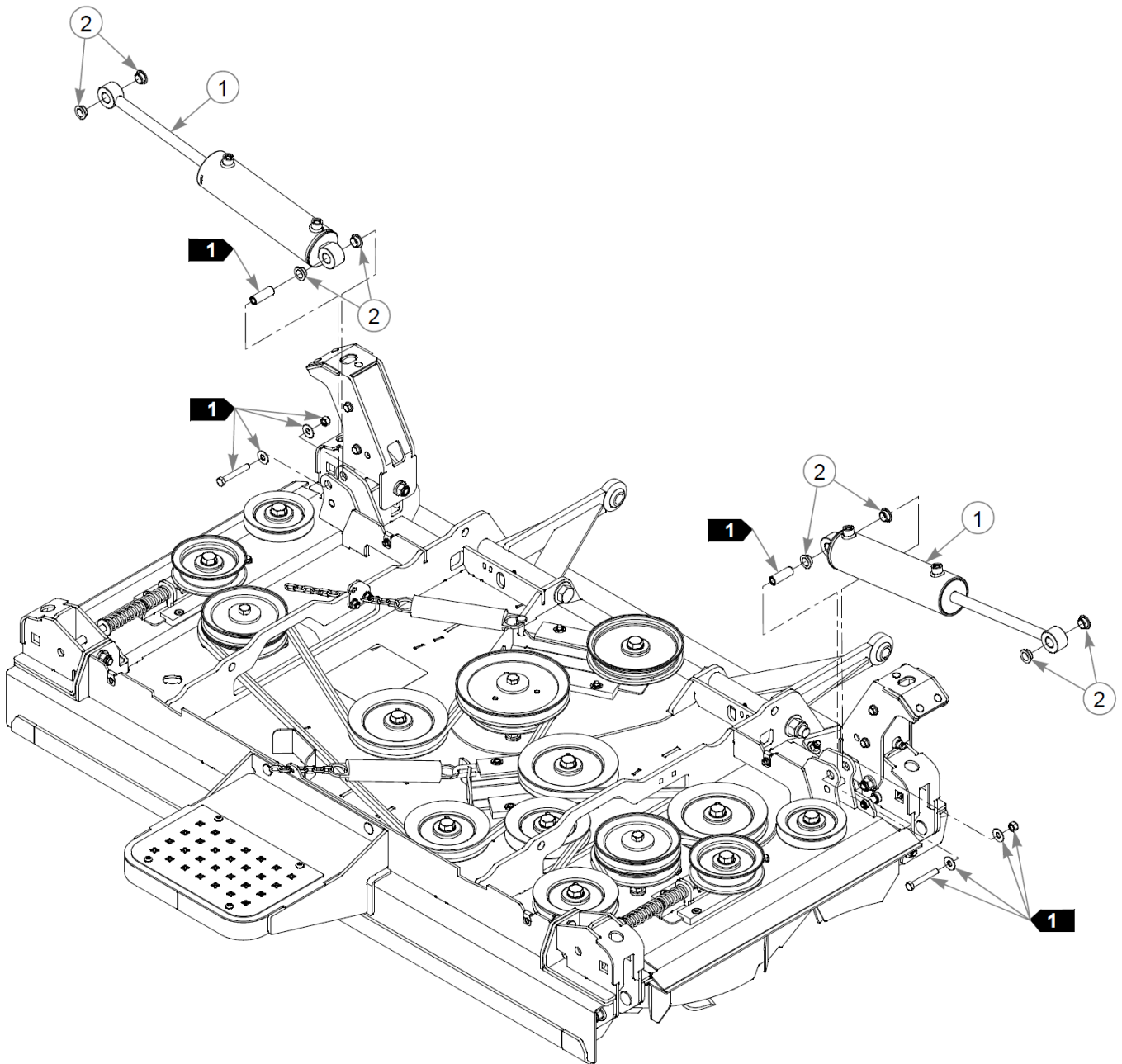
This page intentionally left blank



Item	Part No.	Qty	Name
1	117489	1	SPACER, LATCH
2	117488	2	ARM, LATCH
3	767954	20	FW 0.379X.82X.06 HD ZN
4	086660	20	NT .375-16NLG8
5	041848	1	CB .375-16X 3.500 FUL Z
6	781567	2	NT .500-13NLG5
7	767962	5	FW .531 x 1.063 x .175
8	089938	1	CS .500-13X4.000HXG5
9	718288	2	FW .516X.88X.09 ZN
10	017251	2	CP .156DX1.000 LG HML Z
11	025965	1	CE .500X3.50 .156X3.34
12	117320	1	W/A, CUT HT. INDICATOR
13	604076	1	PIN, DECK HEIGHT STOP
14	054502	9	NT .375-16HXG5
15	117492	1	GUARD, RH FRAME
16	011320	13	CB .375-16X .750 STD ZN
17	025296	6	FW .760X1.63X0.08 ZN
18	770867	2	BUSHING, PLAS .750x1(FS)
19	604075	1	SPACER, CYLINDER
20	604073	1	S/C TO 607679
21	008417	2	NT .750-10HXG5
22	602897	1	BLOCK, DECK LIFT
23	604069	1	SLIDER, DECK LIFT
24	068056	1	CE .500X1.50 .150X1.32
25	604072	1	ROD END ASSEMBLY
26	074252	1	CS .500-13X1.50 HX G5 ZN
27	712976	1	FW 0.531X1.38X.12 ZN
28	704783	1	FW 0.625X1.500X0.105
29	781872	1	CS .625-11X1.250HXG5
30	116784	1	BRACKET W/A, DECK LIFT
31	058768	6	NT .625-11 HXZN NY
32	025395	14	CB .375-16X 1.00 G5 ZN
33	117188	2	LINK SPACER
34	116730	2	W/A, DECK LINK
35	604043	8	CS .625-11x2.500FLGG5
36	080655	4	CS .375-16X1.500HXG5

This page intentionally left blank

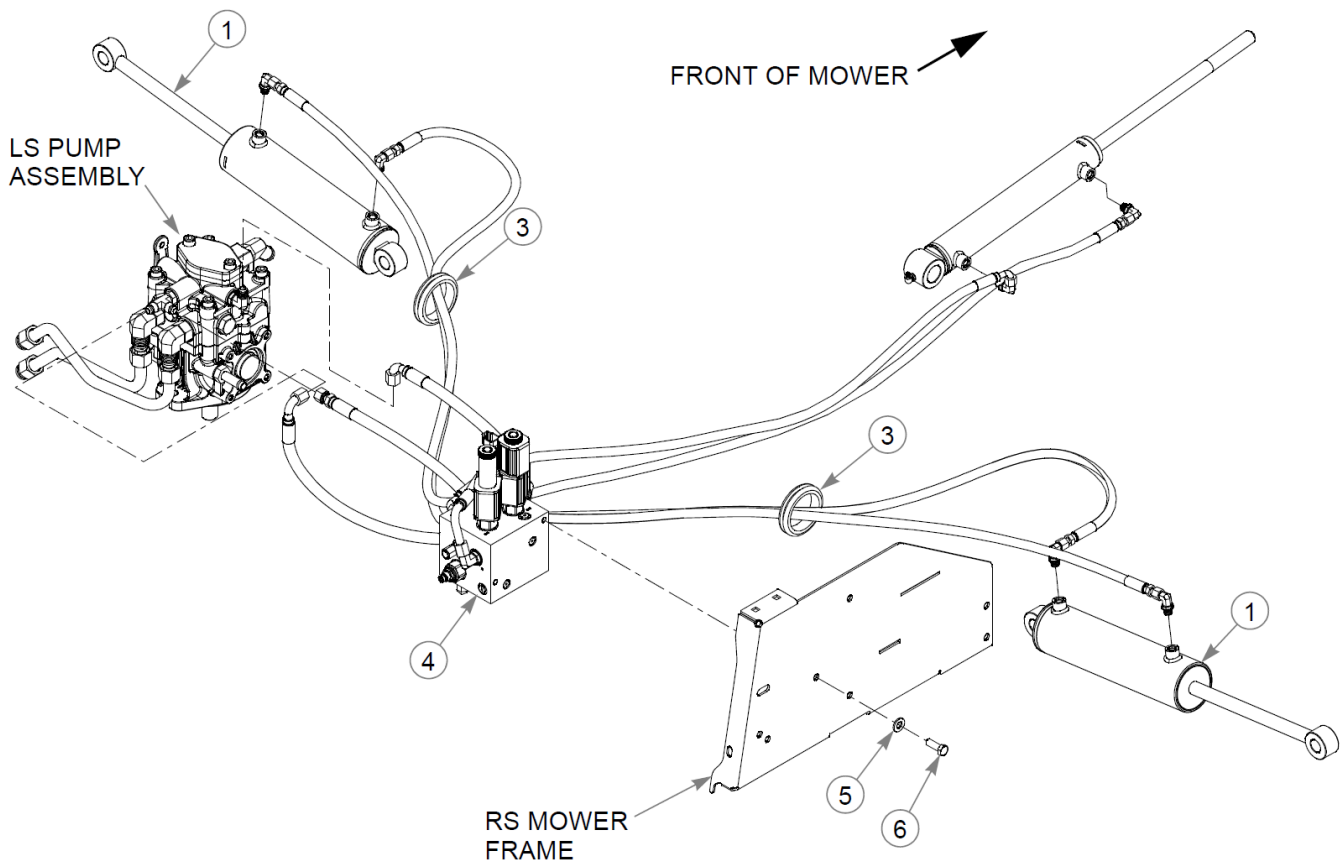
Item	Part No.	Qty	Name
37	604878	1	DECAL, CUT HEIGHT
38	601993	1	DECAL, SAFE OPERATION
39	117487	1	GUARD, LH FRAME
40	705178	1	CS .375-16X1.750HXG5
41	117318	1	W/A, CYLINDER MOUNT
42	116206	1	BRACKET SPACER
43	765339	4	BUSHING,IGUS#0608 (FS)
44	604037	1	GAS SPRING, DECK LIFT
45	116203	1	CYLINDER BRACKET W/A
46	008573	1	CS .500-13X2.500HXG5
47	604266	2	FLAP, WHEEL
48	124386-1	1	ANGLE, FLAP MOUNT RH
Not Shown	124388-1	1	ANGLE, FLAP MOUNT LH
49	604238	1	FLAP, BELLY PAN
50	705137	14	FW 0.391X1.25X.06 ZN
51	604239	2	SB .625X.50SH .500-13
52	728030	2	FW .656X 1.312X.090 ZN
53	119463	1	BELLY PAN W/A
54	058776	4	NT .312-18NLG5
55	768523	4	FW 0.343SAE
56	604028	2	SLIDE, PULLEY COVER
57	604086	4	CS .312-18X1.00 FLTSH ZN
58	119466	2	LOCK RETAINER
59	794784	4	CB .250-20 X .75 FUL ZN
60	068551	4	NT .250-20 HXZY NL
61	017079	4	FW .250SAE
62	604232	4	NT .625-18NLKG5
63	603903	4	DECK LEVEL SPACER
64	603902	4	DECK LEVEL PIVOT
65	789115	2	CS .750-10X3.500HXG5
66	061101	2	NT .750-10 HX ZN NL GR B
67	028118	4	FW 0.625X1.00X.13 ZN
68	116732	4	W/A, DECK LEVEL ROD END



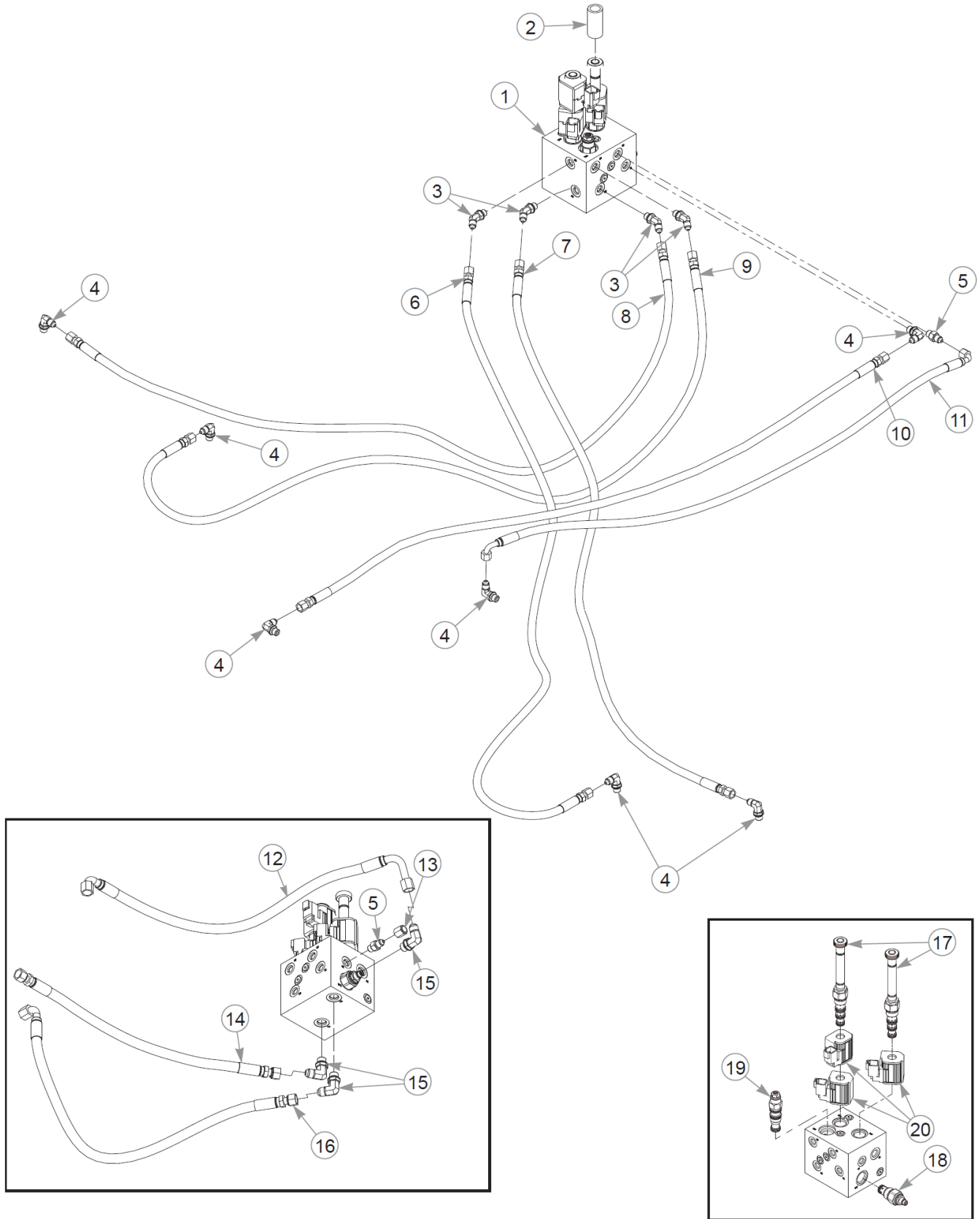
Item	Part No.	Qty	Name
1	607680	2	CYLINDER - HYDRAULIC
2	602539	8	BUSHING, .625 I.D.
3	603289	2	GM, 2.25IDX 3.0ODX 2.5GD
4	N/A	1	MANIFOLD BLOCK ASSEMBLY
5	767954	2	FW 0.379X.82X.06 HD ZN
6	036244	2	CS .375-16X1.00 HX G5 ZN

Comments for Page: Wing Lift System (P1 OF 2)

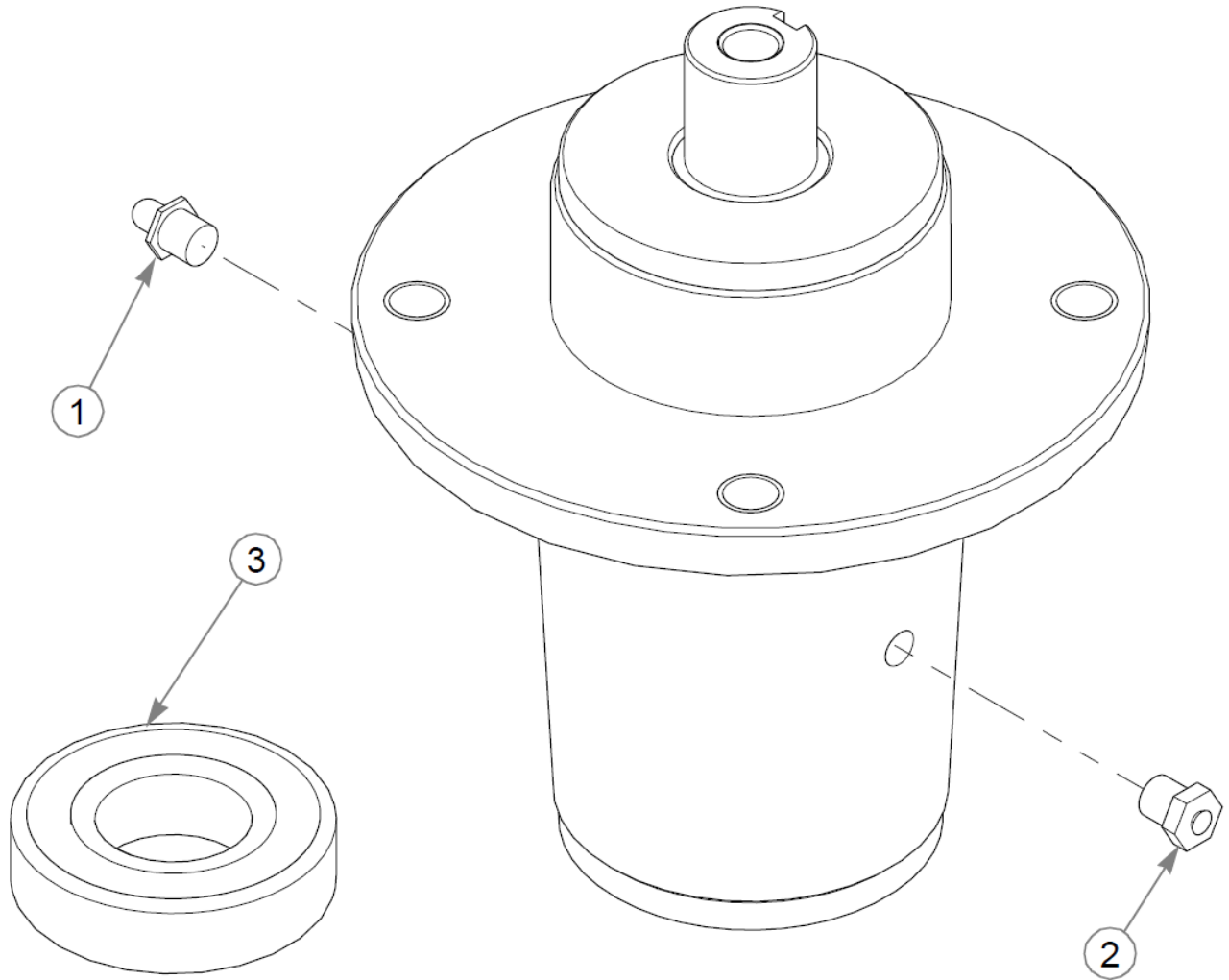
1. Part of the Deck Lift.



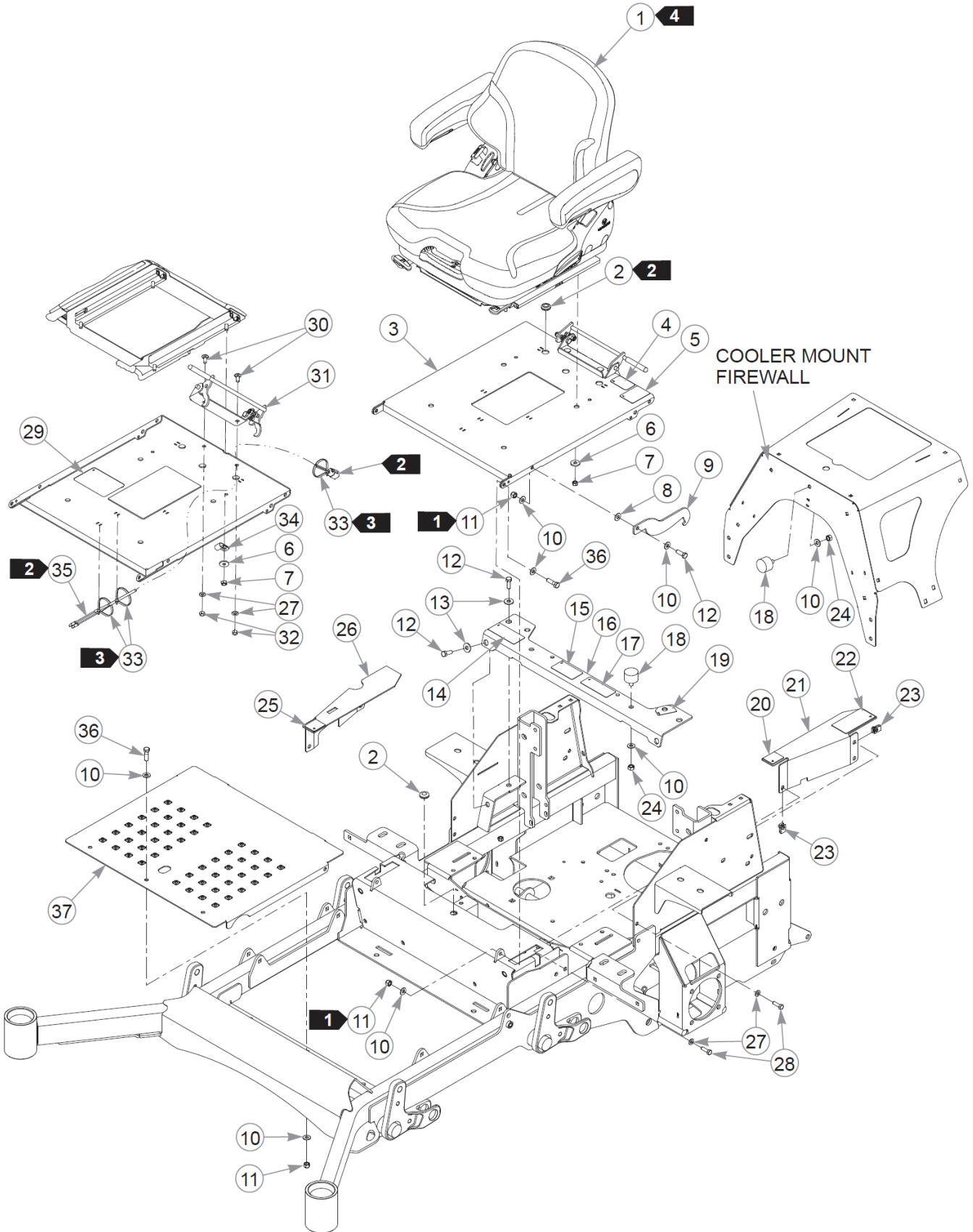
Item	Part No.	Qty	Name
1	607680	2	CYLINDER - HYDRAULIC
2	602539	8	BUSHING, .625 I.D.
3	603289	2	GM, 2.25IDX 3.0ODX 2.5GD
4	N/A	1	MANIFOLD BLOCK ASSEMBLY
5	767954	2	FW 0.379X.82X.06 HD ZN
6	036244	2	CS .375-16X1.00 HX G5 ZN



Item	Part No.	Qty	Name
1	604047	1	MANIFOLD BLOCK ASSY
2	602835	1	SPACER, PARKER SOLENOID
3	602478	4	FITTING, 4MORB/4MJIC 45
4	604133	7	FTG, 4MORB / 4MJIC 90
5	603181	2	FTG, -4MORB/4MJIC STR
6	604118	1	HOSE ASSY, WING LIFT LT
7	604119	1	HOSE ASSY, WING LIFT LT
8	604121	1	HOSE ASSY, WING LIFT RT
9	604120	1	HOSE ASSY, WING LIFT RT
10	604115	1	HOSE ASSY, MAIN LIFT
11	604114	1	HOSE ASSY, MAIN LIFT
12	604113	1	HOSE ASSY, PUMP TO
13	602479	1	FTG, 4FJIC CAP
14	604116	1	HOSE ASSY, MAIN BLOCK
15	795922	3	FTG, 90-6MORB/-6MJI
16	604117	1	HOSE ASSY, MAIN BLOCK
17	602458	2	VALVE, REEL DRIVE
18	602456	1	RELIEF VALVE CARTRIDGE
19	605117	1	VALVE, COUNTER BALANCE
20	602454	3	VALVE, SOLENOID CARTRIDG



Item	Part No.	Qty	Name
1	607477	1	GREASE ZERK
2	607478	1	RELIEF FITTING
3	607955	2	BEARING



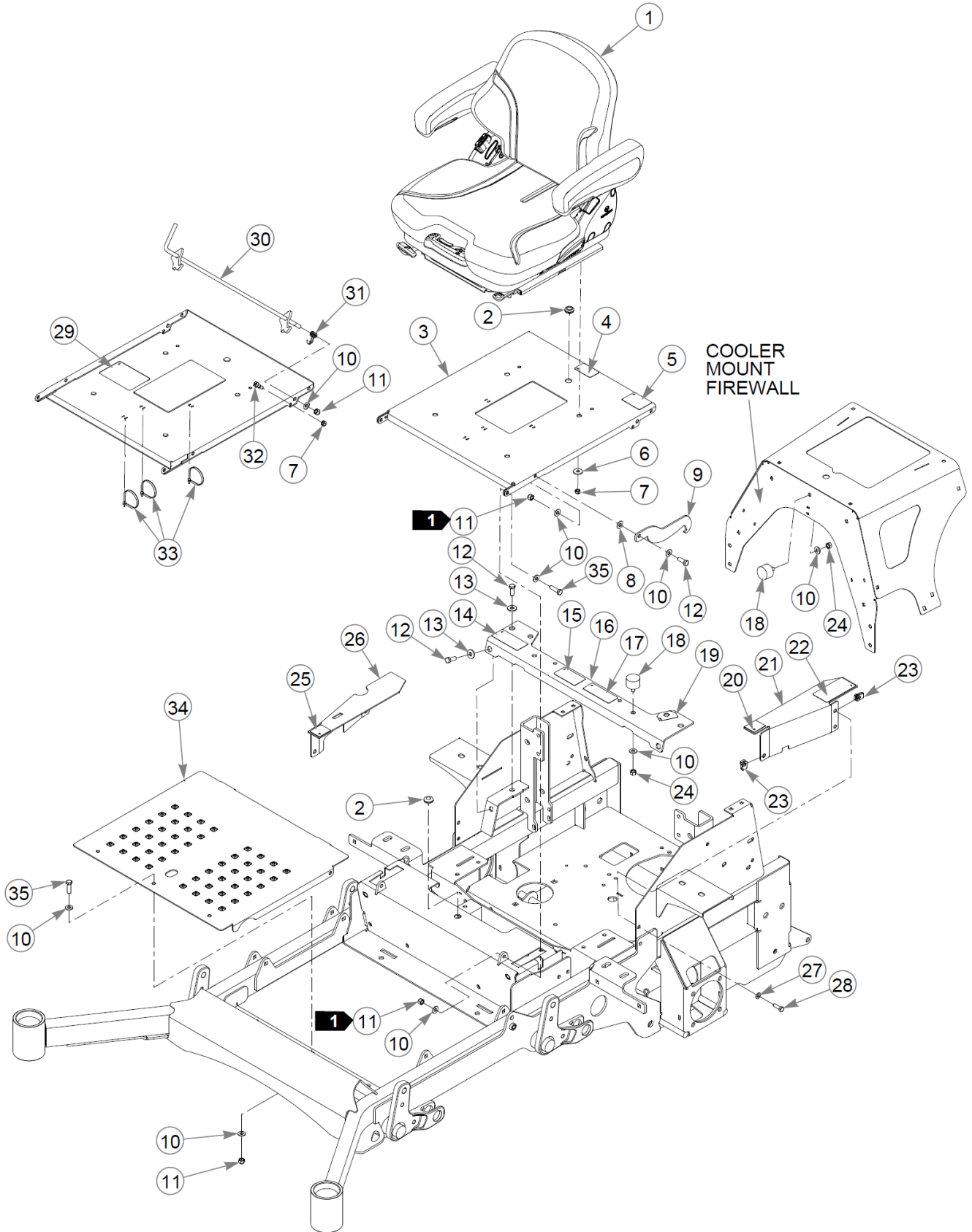
Item	Part No.	Qty	Name
1	605696	1	SEAT, GRAMMER W ISOLATOR
2	080358	2	GM .50X1.00X.75X.12
3	550815	1	SEAT PAN, SERVICE
4	605688	1	DECAL, LEVEL FUEL FILL
5	785188	1	DECAL, Z ARMREST WARNING
6	712927	4	FW 0.344X1.00X.12 HD ZN
7	058776	4	NT .312-18NLG5
8	724716	2	WASHER, FIBER (FS)
9	350421	2	SEAT PAN STOP (PLATED)
10	767954	13	FW 0.379X.82X.06 HD ZN
11	086660	5	NT .375-16NLG8
12	036244	6	CS .375-16X1.00 HX G5 ZN
13	712919	4	FW 0.406X1.00X.12 HD ZN
14	601967	1	DECAL, ENGINE COMPART
15	601968	1	DECAL, HYDRAULIC PRESS
16	550816	1	SEAT SUPPORT, SERVICE
17	601058	1	DECAL, HOT/SYN HYDRO OIL
18	601650	3	VIBRATION MOUNT 70DURO
19	791848	1	DECAL, FUEL INDICATOR- M
20	785139	1	DECAL, STEERING L.S.
21	550823	1	FRAME COVER LS, SERVICE
22	600899	1	DECAL, PUMP BELT WARNING
23	601069	5	CN .312-18x.200 MAX THK
24	054502	3	NT .375-16HXG5
25	785220	1	DECAL, STEERING R.S.
26	551827	1	RS FRAME COVER, SERVICE
27	768523	7	FW 0.343SAE
28	036236	5	CS .312-18X1.000HXG5
29	601815	1	DECAL, BATTERY WARNINGS
30	016253	2	CB .312-18X .750 FUL ZN
31	605907	1	LATCH ASSEMBLY
32	034272	2	NT .312-18HXG5
33	000331	3	WIRE TIE, SMALL/SHORT
34	000398	1	CLAMP
35	604439	1	PIGTAIL, SEAT SWITCH
36	052860	3	CS .375-16X1.25 HX G5 ZN

This page intentionally left blank

Item	Part No.	Qty	Name
37	117323	1	FLOOR PAN, S104

Comments for Page: Seat - S/N 15100000 & Higher

1. Do not torque; the seat pan and seat pan stop must pivot freely.
2. The seat pan (550815) includes decals.
3. The seat support (550816), LS frame cover (550823) and RS frame cover (551827) include decals



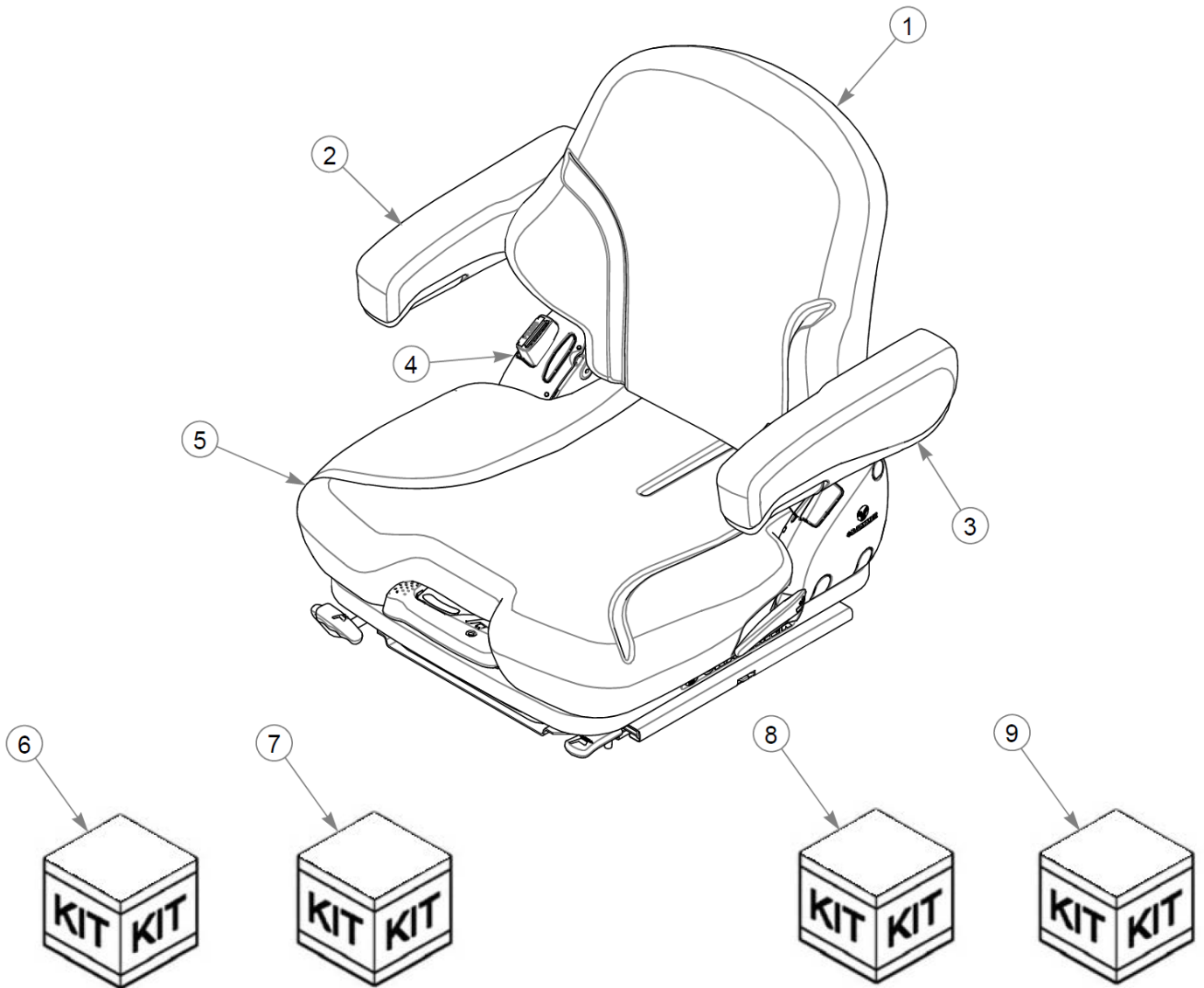
Item	Part No.	Qty	Name
1	605696	1	SEAT, GRAMMER W ISOLATOR
Not Shown	604341	1	GRAMMER SEAT
2	080358	2	GM .50X1.00X.75X.12
3	550815	1	SEAT PAN, SERVICE
4	605688	1	DECAL, LEVEL FUEL FILL
5	785188	1	DECAL, Z ARMREST WARNING
6	712927	4	FW 0.344X1.00X.12 HD ZN
7	058776	5	NT .312-18NLG5
8	724716	2	WASHER, FIBER (FS)
9	350421	2	SEAT PAN STOP (PLATED)
10	767954	13	FW 0.379X.82X.06 HD ZN
11	086660	6	NT .375-16NLG8
12	036244	6	CS .375-16X1.00 HX G5 ZN
13	712919	4	FW 0.406X1.00X.12 HD ZN
14	601967	1	DECAL, ENGINE COMPART
15	601968	1	DECAL, HYDRAULIC PRESS
16	550816	1	SEAT SUPPORT, SERVICE
17	601058	1	DECAL, HOT/SYN HYDRO OIL
18	601650	3	VIBRATION MOUNT 70DURO
19	791848	1	DECAL, FUEL INDICATOR- M
20	785139	1	DECAL, STEERING L.S.
21	550823	1	FRAME COVER LS, SERVICE
22	600899	1	DECAL, PUMP BELT WARNING
23	601069	5	CN .312-18x.200 MAX THK
24	054502	3	NT .375-16HXG5
25	785220	1	DECAL, STEERING R.S.
26	551827	1	RS FRAME COVER, SERVICE
27	768523	5	FW 0.343SAE
28	036236	5	CS .312-18X1.000HXG5
29	601815	1	DECAL, BATTERY WARNINGS
30	113157	1	SEAT LATCH W/A, SZ
31	783910	1	SPRING, TORSION
32	754358	1	SB0.375X0.375SH0.312-18
33	000331	3	WIRE TIE, SMALL/SHORT
34	117323	1	FLOOR PAN, S104
35	052860	3	CS .375-16X1.25 HX G5 ZN

This page intentionally left blank

Item	Part No.	Qty	Name
36	604439	1	PIGTAIL, SEAT SWITCH

Comments for Page: Seat - S/N Prior to 15100000

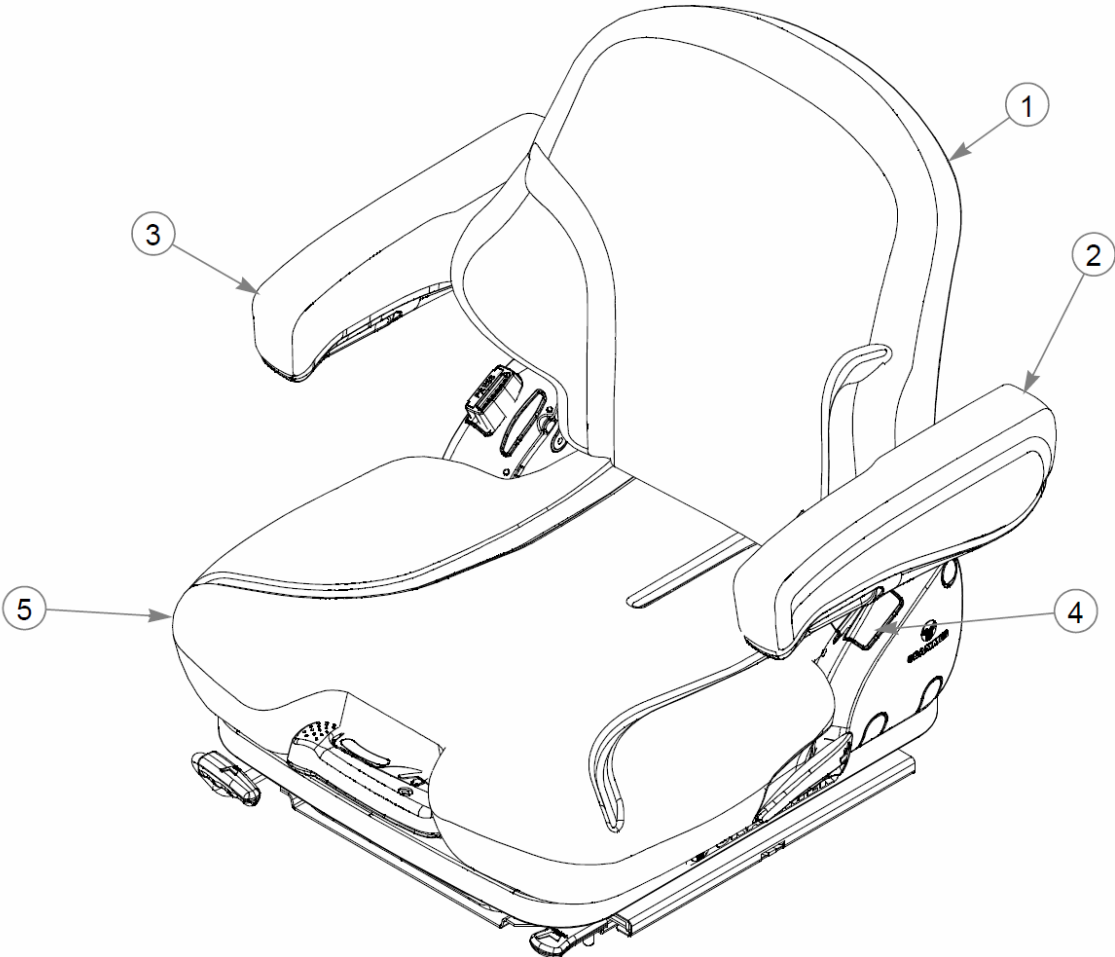
1. Do not torque; the seat pan & seat pan stop must pivot freely.
2. The seat pan (550815) includes decals.
3. The seat support (550816), LS frame cover (550823) and RS frame cover (551827) include decals.



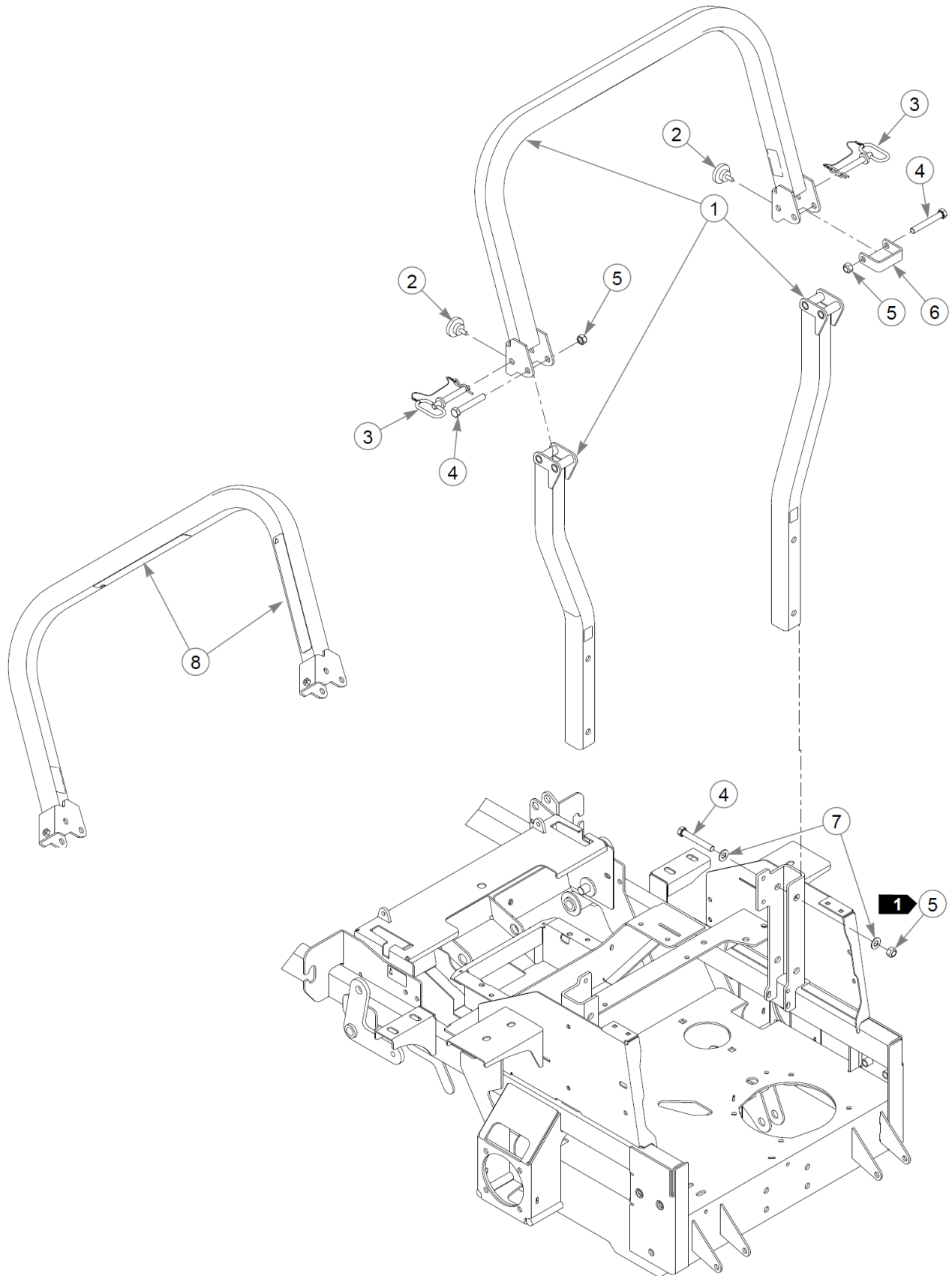
Item	Part No.	Qty	Name
Not Shown	605696	1	SEAT, GRAMMER W ISOLATOR
1	605750	1	CUSHION KIT, BACK, EXCEL
2	604938	1	ARMREST, RIGHT
3	604937	1	ARMREST, LEFT
4	604941	1	SEAT BELT
5	605752	1	CUSHION KIT, SEAT, EXCEL
6	604973	1	KIT, SEAT SWITCH
7	119287	1	KIT, SLIDE
8	119288	1	KIT, ISOLATOR
9	607248	1	SVC, SEAT HANDLE KIT

Comments for Page: Seat Service Parts, Grammer - 605696 (Black & Gray)

1. 605750 (back cushion) and 605752 (seat cushion) are used on mowers S/N 15010001 & higher.
2. 604940 (back cushion) and 604939 (seat cushion) are used on mowers S/N prior to 15010001.



Item	Part No.	Qty	Name
Not Shown	604341	1	GRAMMER SEAT
1	604940	1	BACK CUSHION
2	604937	1	ARMREST, LEFT
3	604938	1	ARMREST, RIGHT
4	604941	1	SEAT BELT
5	604939	1	SEAT CUSHION
6	604973	1	KIT, SEAT SWITCH
7	119287	1	KIT, SLIDE
8	119288	1	KIT, ISOLATOR



Item	Part No.	Qty	Name
1	603338	1	KIT, ROPS SZ
2	601470	2	KNOB, HAND FOR ROPS
3	601471	2	LYNCH PIN W/ LANYARD
4	061812	6	CS .500-13X3.50 HX G5 ZN
5	023317	6	NT .500-13UNTG8
6	603099	1	ROPS STOP, XONE
7	767962	8	FW .531 x 1.063 x .175
8	601635	2	DECAL, ROP'S

Comments for Page: ROPS

1. Torque to 73 ft-lbs.
2. The ROPS kit includes decals, seatbelt and hardware.