

Hustler® Parts Manual



HUSTLER®
TURF EQUIPMENT

200 South Ridge Road

Hesston, Kansas

67062



NOTICE OF REQUIREMENT OF SPARK ARRESTER MUFFLER

This equipment may create sparks that can start fires around dry vegetation. California Public Resources Code Section 4442.6 provides that it is unlawful to use or operate an internal combustion engine on any forest-covered, brush-covered, or grass-covered land unless the engine is equipped with a spark arrester maintained in effective working order. A spark arrester is a device constructed of nonflammable materials specifically for the purpose of removing and retaining carbon and other flammable particles over 0.0232 of an inch in size from the exhaust flow of an internal combustion engine that uses hydrocarbon fuels or which is qualified and rated by the United States Forest Service. Other states or federal areas may have similar laws. The Operator Should Contact Local Fire Agencies For Laws or Regulations Relating to Fire Prevention Requirements. **THIS EQUIPMENT DOES NOT HAVE A SPARK ARRESTER AND YOU SHOULD CONTACT YOUR AUTHORIZED DEALER FOR THE PURCHASE OF A SPARK ARRESTER.**

Inspect spark arrester daily; replace every 500 hours or as needed.

The Engine Owner's Manual provides information regarding the U.S. Environmental Protection Agency (EPA) and the California Emission Control Regulation of emission systems, maintenance and warranty.

Keep Engine Owner's Manual with your unit. Should the Engine Owner's Manual become damaged or illegible, replace immediately. Replacements may be ordered per the information found in the Product Information section of the owner's manual.

Federal law and California State law prohibit the following acts or the causing thereof:

1. The removal or rendering inoperative by any person other than for purposes of maintenance, repair, replacement, of any device or element of design incorporated into any equipment for the purposes of emissions control prior to or after its sales or delivery to the ultimate purchaser or while it is in use, or
2. The use of the equipment after such device or element of design has been removed or rendered inoperative by any person.

General Information 1

Frame & Engine Guard

Frame 3-1
Engine Guard 3-2

Transmissions, Drive Belt, Steering & Deck Lift Control

Drive System, Transmissions & Drive Belt 4-1
Transmission Service Parts - 604708 4-2
Transmission Service Parts - 604709 4-3
Steering, Brake & Deck Lift Controls—S/N 16042182 & Higher (Multi-Page) 4-4
Steering, Brake & Deck Lift Controls—S/N Prior to 16042182 (Multi-Page) 4-5
Actuator Service Parts 4-6
Steering & Deck Lift Controls Sub-Assembly 4-7

Wheels & Tires

Wheel & Tire - 48" Mowers 5-1
Wheel & Tire - 54" Mowers 5-2
Front Tire Assembly Breakdown 5-3
Drive Wheel Breakdown - 48" Mowers 5-4
Drive Wheel Breakdown - 54" Mowers 5-5

Engine, Clutch & Fuel System

Engine - Without Carbon Canister (Multi-Page) 6-1
Engine - With Carbon Canister (Multi-Page) 6-2
Engine Service Parts - KT740 - Ring Air Filter 6-3
Engine Service Parts - KT740—Canister Air Filter 6-4
Fuel System - Without Carbon Canister 6-5
Fuel System - With Carbon Canister 6-6
Fuel Tank Service Parts - 606525 6-7

Instrument Panel, Wire Harness & Fenders

Battery 7-1
Instrument Panel, Wire Harness & Fenders (Multi-Page) 7-2

Deck, Deck Belt, Blades, Deck Lift, Floorpan & Footrest

48" Service Deck 8-1
48" Deck Belt, Deck Pulleys & Spindles 8-2
48" Deck Discharge Chute, Pulley Covers & Blades 8-3
54" Service Deck 8-4
54" Deck Belt, Deck Pulleys & Spindles 8-5
54" Deck Discharge Chute, Pulley Covers & Blades 8-6
Spindle Service Parts - 607418 8-7
Deck Carrier, Deck Height, Floorpan & Footrest (Multi-Page) 8-8

Seat

Seat - S/N 17080000 & Higher 9-1
Seat - S/N PRIOR TO 17080000 9-2
Seat Service Parts - 607347 9-3
Seat Service Parts - 606077 9-4

General Information

This manual covers Hustler® Raptor® Flip-Up models **933614, 933622, 933846US, 933853US, 934745, 935940, 935957 & 935965.**

Service Literature

| PART NO. | DESCRIPTION |
|----------|------------------------|
| 605686 | OPERATOR'S MANUAL |
| 121539 | WARRANTY STATEMENT |
| 121535 | GENERAL SERVICE MANUAL |

Options Available From Your Dealer

| PART NO. | DESCRIPTION |
|----------|------------------------------|
| 933804 | 2 BAG CATCHER |
| 119101 | MULCH KIT (48") |
| 119060 | MULCH KIT (54") |
| 121472 | STRIPE KIT |
| 121505 | LIGHT KIT |
| 121696 | ENGINE GUARD KIT |
| 333724 | STEERING LEVER EXTENSION KIT |
| 605677 | FLEX FORKS KIT |

Note: When ordering parts, you must use the part number as shown for each part, not the index number. Always give the model and serial number to your parts and service representative.

Note: Items sold in bulk such as seals and hoses are sold by the foot.

Using This Manual

This manual is part of a service package for the Hustler® mowers. Use of this manual in conjunction with other Hustler® mower and component manuals will provide the information necessary to service and maintain Hustler® mowers.

This Parts Manual provides a complete parts listing for the unit. Use this manual when ordering parts. Illustrations used were current at the time of printing, but subsequent production changes may cause your machine to vary slightly in detail. Excel Industries, Inc. reserves the right to redesign and change the machine as deemed necessary, without notification. If a change has been made to your machine which is not reflected in this parts manual, see your authorized dealer for current information and parts.

The Service Manual is a service guide for use by Service Technicians. It provides the necessary information needed to perform normal maintenance requirements on these units.

The Operator's Manual provides fundamental operational information and operational safety that is needed when operating the mower.

The component manuals are furnished by the various manufacturers to be used for the troubleshooting and servicing of their products.

Hardware Description Codes & Abbreviations

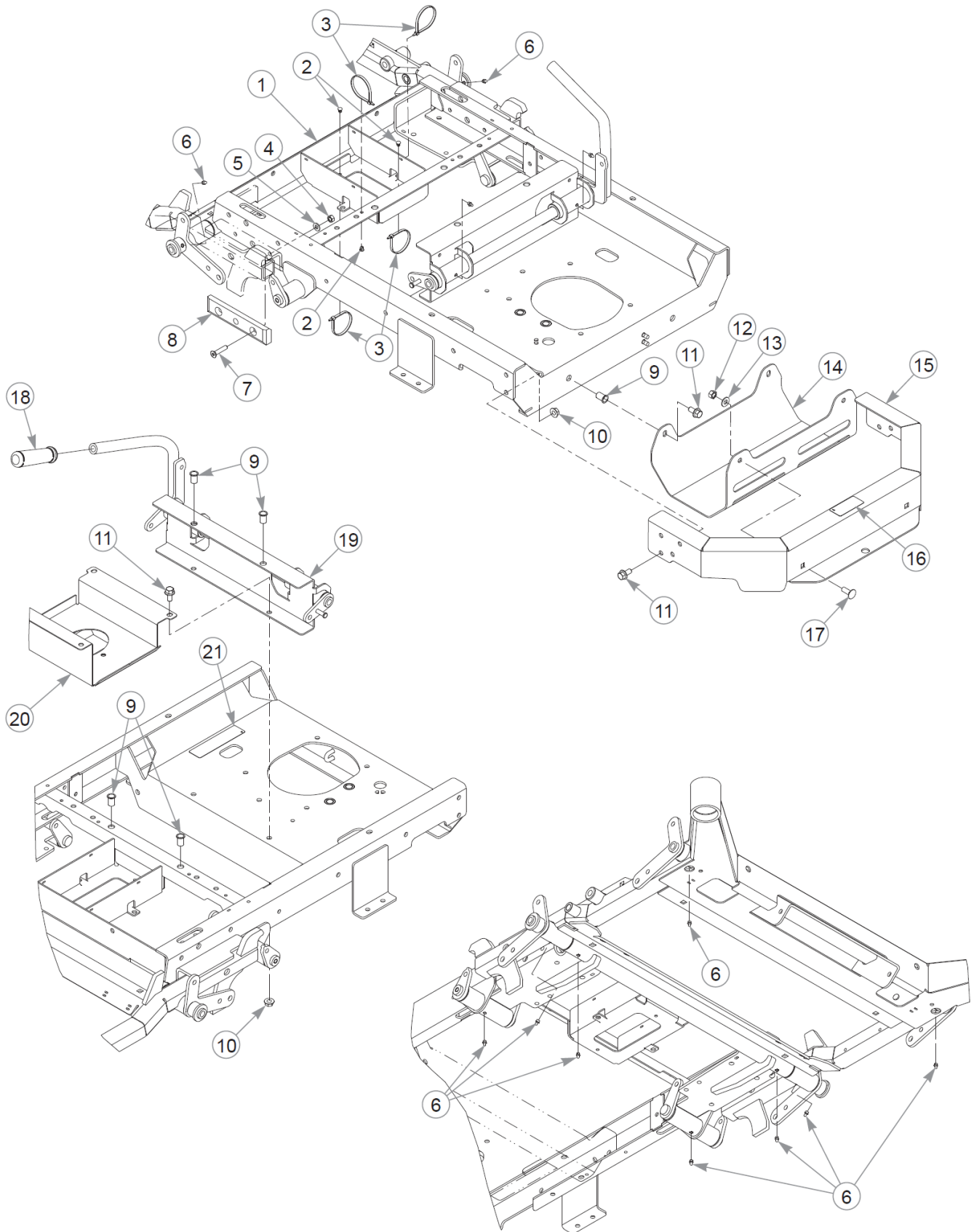
The following codes are used throughout this parts manual. Refer to this list when ordering parts.

| ABBREVIATION | DESCRIPTION | ABBREVIATION | DESCRIPTION |
|---------------------|--------------------|---------------------|------------------------|
| CB | CARRIAGE BOLT | MB | MACHINE BUSHING |
| CE | CLEVIS PIN | MS | MACHINE SCREW |
| CN | CLIP NUT | NT | NUT |
| CP | COTTER PIN | SC | SELF TAPPING CAP SCREW |
| CS | CAP SCREW | SH | SOCKET HEAD |
| CW | CUP WASHER | SB | SHOULDER BOLT |
| FDRW | FENDER WASHER | SS | SET SCREW |
| FW | FLAT WASHER | OD | OUTSIDE DIAMETER |
| HX | HEX HEAD | ID | INSIDE DIAMETER |
| LW | LOCK WASHER | WN | WELD NUT |

Standard Torques

The following chart lists the standard torque values for the threaded fasteners found in this manual. Torque all cap screws, nuts and set screws to these values unless a different torque is shown in the Notes section next to the fastener.

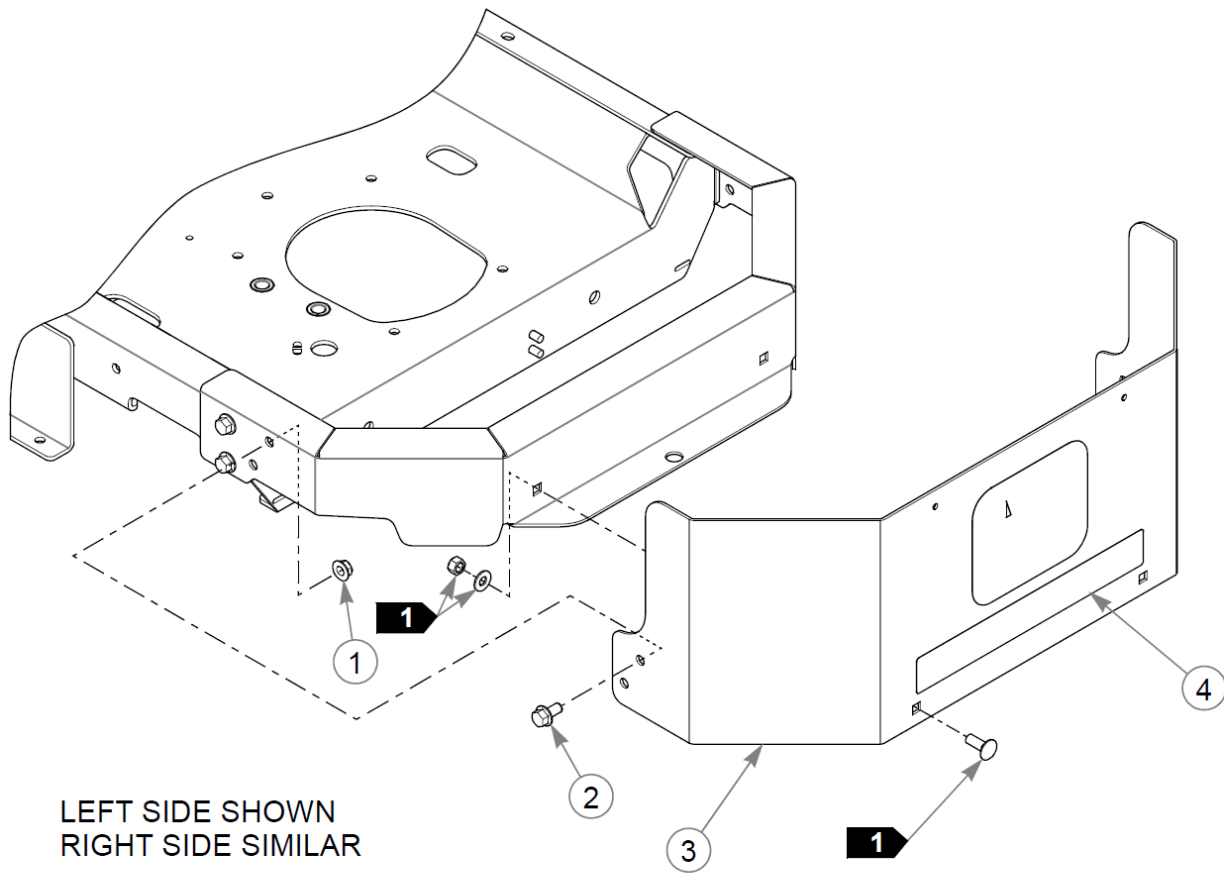
| SIZE | FT-LBS | N•M | SIZE | FT-LBS | N•M |
|-------------|---------------|------------|-------------|---------------|------------|
| .250 | 8.2 | 11.1 | M3 | 1 | 1.3 |
| .312 | 17 | 23 | M4 | 2.2 | 3 |
| .375 | 30 | 40 | M5 | 4.5 | 6.1 |
| .438 | 48 | 65 | M6 | 7.7 | 10.4 |
| .500 | 73 | 99 | M8 | 18.5 | 25 |
| .562 | 105 | 143 | M10 | 37 | 50 |
| .625 | 145 | 200 | M12 | 64 | 87 |
| .750 | 260 | 350 | M14 | 80 | 108.5 |
| .875 | 420 | 565 | M16 | 160 | 215 |
| 1.00 | 625 | 850 | M20 | 320 | 435 |
| | | | M24 | 555 | 750 |



| Item | Part No. | Qty | Name |
|-----------|----------|-----|--------------------------|
| 1 | 552930 | 1 | SVC, FRAME RFU |
| 2 | 604307 | 3 | MOUNT, PUSH BUTTON |
| 3 | 000331 | 4 | WIRE TIE, SMALL/SHORT |
| 4 | 034272 | 4 | NT .312-18HXG5 |
| 5 | 768523 | 4 | FW 0.343SAE |
| 6 | 015495 | 10 | GREASE FITTING STRAIGHT |
| 7 | 797910 | 4 | CS .312-18x1.50FLT SH ZN |
| 8 | 604888 | 2 | GUIDE BLOCK, CARRIER |
| 9 | 808493 | 6 | RIVET NUT, 3/8-16 THREA |
| 10 | 016899 | 6 | NT .375-16 FLKG5 |
| 11 | 029629 | 8 | CS .375-16X0.75 HXF G5ZN |
| 12 | 054502 | 2 | NT .375-16HXG5 |
| 13 | 767954 | 2 | FW 0.379X.82X.06 HD ZN |
| 14 | 121430 | 1 | MUFFLER SHIELD |
| 15 | 552922 | 1 | SVC, BUMPER RFU |
| 16 | 602041 | 1 | DECAL, HOT |
| 17 | 025395 | 2 | CB .375-16X 1.00 G5 ZN |
| 18 | 605299 | 1 | HAND GRIP, 7/8 I.D. |
| 19 | 120370 | 1 | W/A, FRAME LATCH |
| 20 | 121108 | 1 | SUPPORT, FUEL TANK W/A |
| 21 | 605650 | 1 | DECAL, TIP OVER DANGER |
| Not Shown | 605917 | 1 | WIRE HARNESS, KOHLER |
| Not Shown | 602725 | 1 | WIRE TIE, |

Comments for Page: Frame

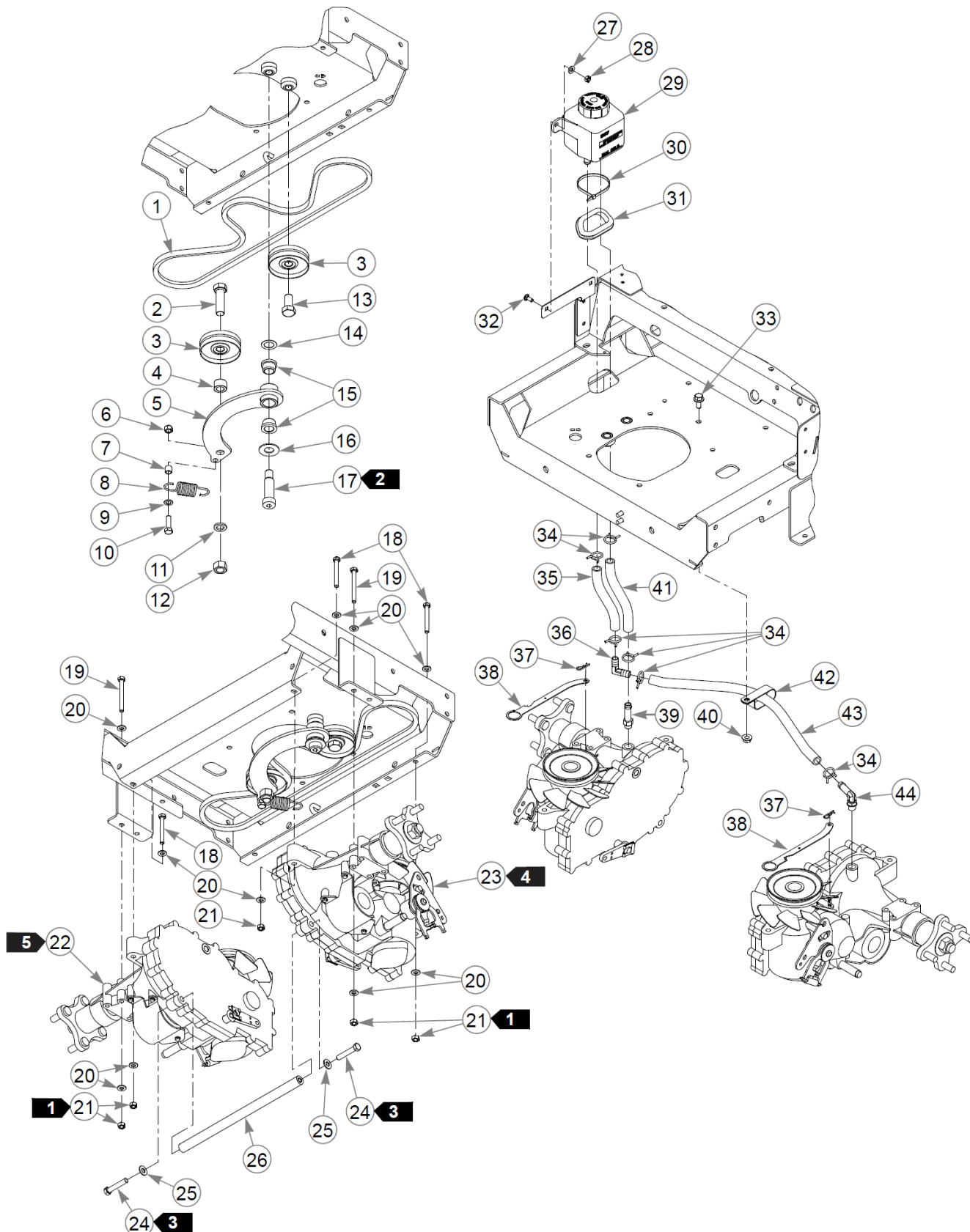
1. The frame and bumper include decals.



| Item | Part No. | Qty | Name |
|---|----------|-----|--------------------------|
| 1 | 016899 | 4 | NT .375-16 FLKG5 |
| 2 | 029629 | 4 | CS .375-16X0.75 HXF G5ZN |
| 3 | 121696 | 1 | KIT, ENGINE GUARD RFU |
| <p>Comments for Part Num. 121696</p> <p>Engine Guard Kit is not compatible when 2-Bag Catcher is installed.</p> | | | |
| 4 | 604745 | 1 | DECAL, H LOGO, MFSD 36/4 |

Comments for Page: Engine Guard

1. Part of the Frame Assembly.



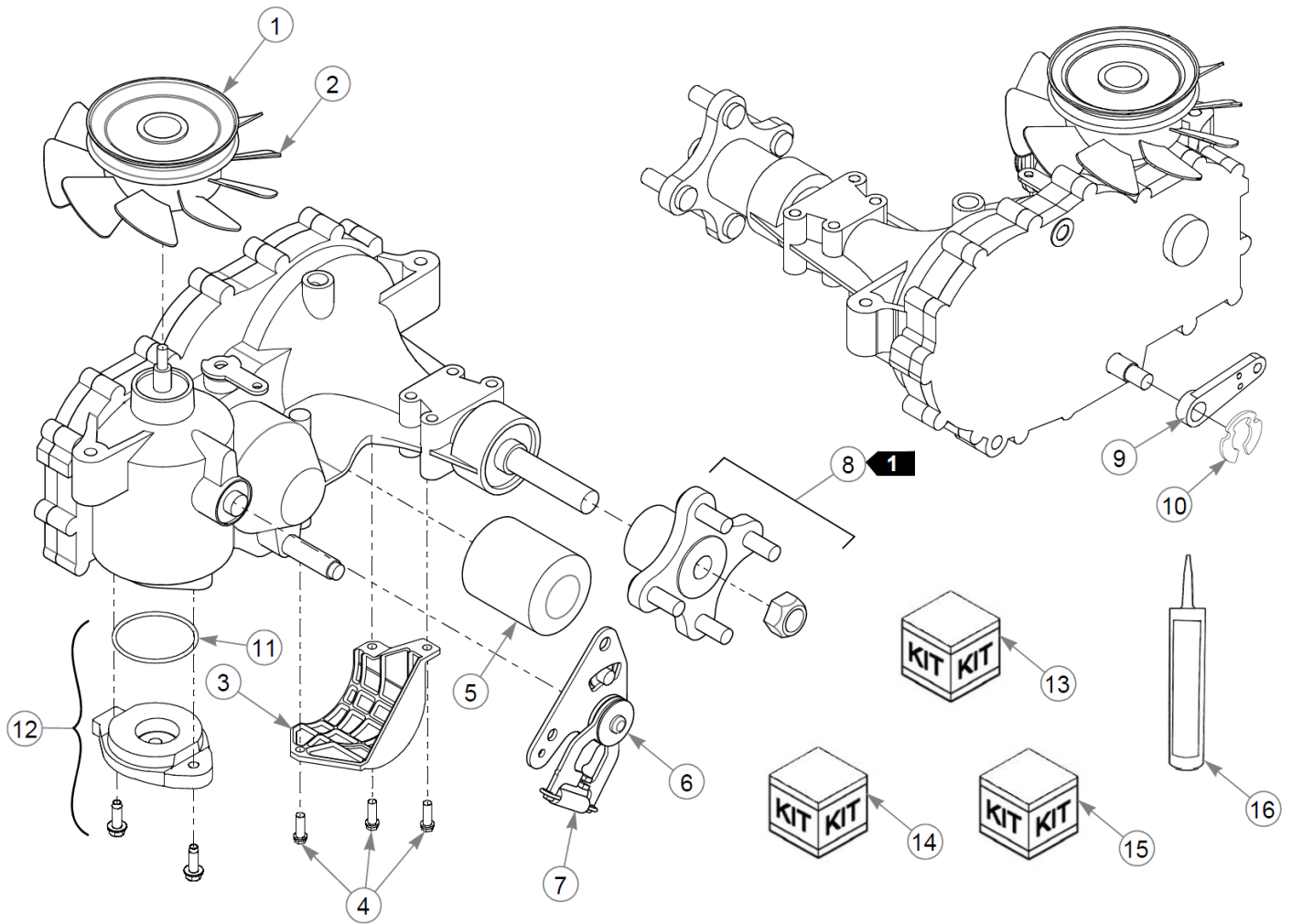
| Item | Part No. | Qty | Name |
|-----------|----------|-----|--------------------------|
| 1 | 786533 | 1 | DRIVE BELT |
| Not Shown | 786533X | 1 | 20PK, DRIVE BELT |
| 2 | 601983 | 1 | CS .625-11 X 2.25 HXG5ZN |
| 3 | 606949 | 2 | IDLER, 3.25 FLAT |
| 4 | 121319 | 1 | IDLER SPACER |
| 5 | 121728 | 1 | TENSION ARM W/A |
| 6 | 086660 | 1 | NT .375-16NLG8 |
| 7 | 605481 | 1 | BUSHING |
| 8 | 605655 | 1 | SPRING, PUMP IDLER |
| 9 | 704718 | 1 | FW .406X .688X.060 ZN |
| 10 | 052860 | 1 | CS .375-16X1.25 HX G5 ZN |
| 11 | 028118 | 1 | FW 0.625X1.00X.13 ZN |
| 12 | 016972 | 1 | NT .625-11 HX G5 ZN |
| 13 | 781872 | 1 | CS .625-11X1.250HXG5 |
| 14 | 704791 | 1 | FW .781X1.25X.02 ZN |
| 15 | 781153 | 2 | BUSHING, UHMW |
| 16 | 025296 | 1 | FW .760X1.63X0.08 ZN |
| 17 | 601084 | 1 | SB .750X 2.000 SH.625-11 |
| 18 | 710087 | 4 | CS .312-18X2.500HXG5 |
| 19 | 043067 | 4 | CS .312-18X3.000HXG5 |
| 20 | 768523 | 16 | FW 0.343SAE |
| 21 | 034272 | 8 | NT .312-18HXG5 |
| 22 | 604708 | 1 | ZT2800, 20.69:1 TRANS |
| 23 | 604709 | 1 | ZT2800, 20.69:1 TRANS |
| 24 | 016410 | 2 | CS .375-16X2.000HXG5 |
| 25 | 767954 | 2 | FW 0.379X.82X.06 HD ZN |
| 26 | 605539 | 1 | SPACER TUBE |
| 27 | 768515 | 2 | FW 0.281SAE |
| 28 | 068551 | 2 | NT .250-20 HXZY NL |
| 29 | 601996 | 1 | EXPANSION TANK, ZT2800 |
| Not Shown | 600767 | 1 | CAP, OVERFLOW TANK |
| 30 | 000331 | 1 | WIRE TIE, SMALL/SHORT |
| 31 | 603289 | 1 | GM, 2.25IDX 3.0ODX 2.5GD |
| 32 | 601503 | 2 | CB .250-20 X .625 ZN |
| 33 | 029629 | 1 | CS .375-16X0.75 HXF G5ZN |
| 34 | 601001 | 6 | SPRING CLAMP, .75" DIA |

This page intentionally left blank

| Item | Part No. | Qty | Name |
|------|----------|-----|----------------------|
| 35 | 605744 | 1 | OVERFLOW HOSE, 6" |
| 36 | 605562 | 1 | FTG, -8MBT/8MBT, 90 |
| 37 | 706549 | 2 | HP0.080X1.190 |
| 38 | 118310 | 2 | LINK, TOW VALVE |
| 39 | 605730 | 1 | FTG, -6MORB/8MBT STR |
| 40 | 016899 | 1 | NT .375-16 FLKG5 |
| 41 | 605745 | 1 | OVERFLOW HOSE, 7" |
| 42 | 045088 | 1 | HOSE CLAMP 1" (FS) |
| 43 | 605746 | 1 | OVERFLOW HOSE, 19" |
| 44 | 601219 | 1 | FTG, 90 - 9/16 SAE |

Comments for Page: Drive System, Transmissions & Drive Belt

1. Torque to 17 ft-lbs.
2. Torque to 100 ft-lbs.
3. Torque to 30 ft-lbs.
4. Left side transmission.
5. Right side transmission.
6. The overflow tank includes the cap.



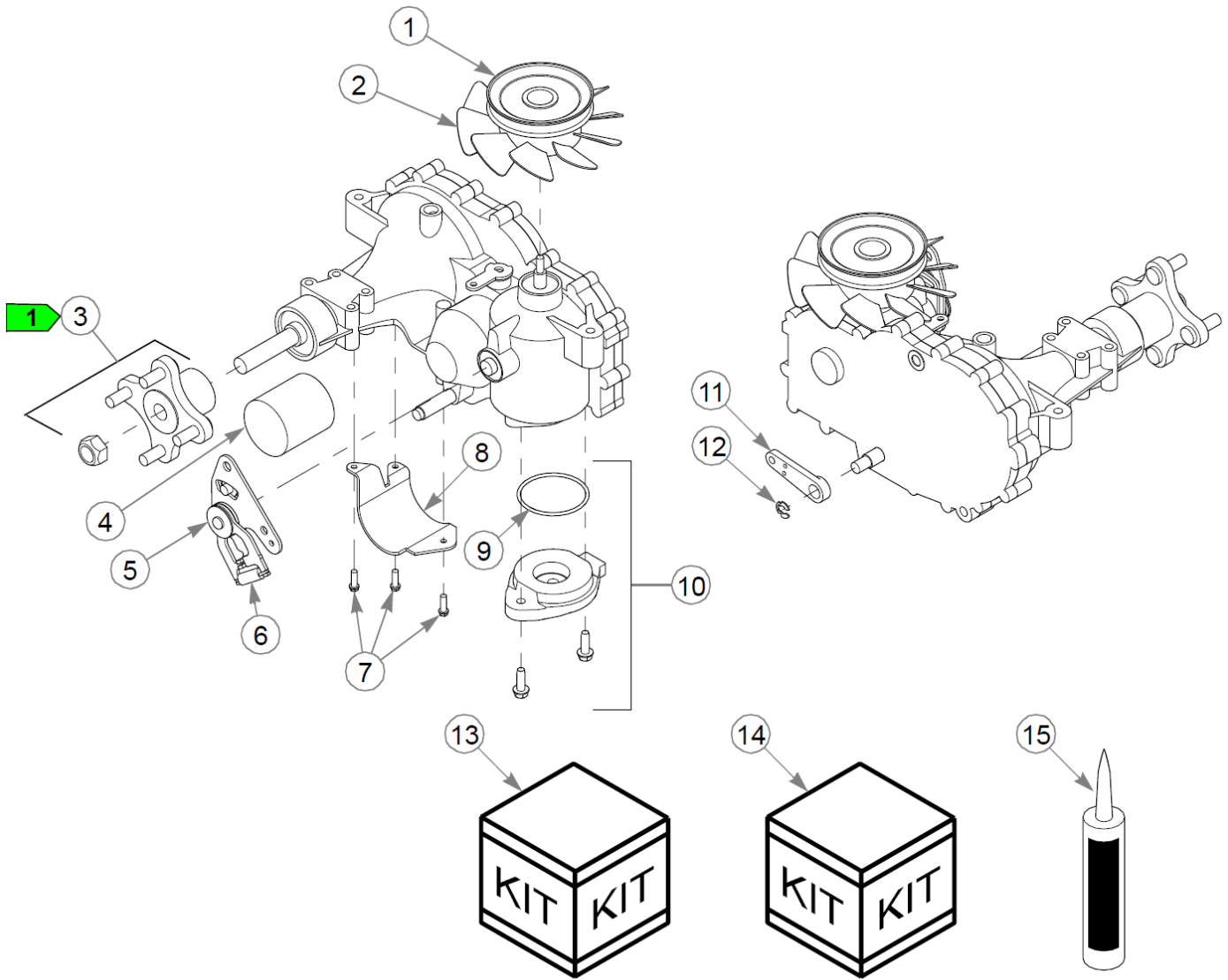
| Item | Part No. | Qty | Name |
|------|----------|-----|--------------------------|
| 1 | 602094 | 1 | FAN / PULLEY KIT |
| 2 | 607729 | 1 | FAN - 7.0" (10 BLADE) |
| 3 | 600975 | 1 | GUARD, TRANS FILTER |
| 4 | 604324 | 3 | CS .250-20 X .75 HX FLG |
| 5 | 600976 | 1 | HYDRAULIC OIL FILTER |
| 6 | 604901 | 1 | HG RTN CW |
| 7 | 604903 | 1 | HG RTN SPRING |
| 8 | 600970 | 1 | KIT, HUB, 4 BOLT |
| 9 | 601221 | 1 | ZT2800 BRAKE ARM - 2007 |
| 10 | 600972 | 1 | CLIP, RETAINING |
| 11 | 603223 | 1 | O-RING, ZT28/3100 CHARGE |
| 12 | 603572 | 1 | COVER, ZT3100 CHRG PUMP |
| 13 | 606830 | 1 | OIL RETENSION KIT |
| 14 | 607199 | 1 | SEAL KIT |
| 15 | 607870 | 1 | KIT - SIDE COVER |
| 16 | 607869 | 1 | TUBE - SEALANT |

Comments for Part Num. 607869

Used for sealing side cover on transmission. One tube covers multiple covers.

Comments for Page: Transmission Service Parts - 604708

1. Hub kit (600970) includes the hub nut.



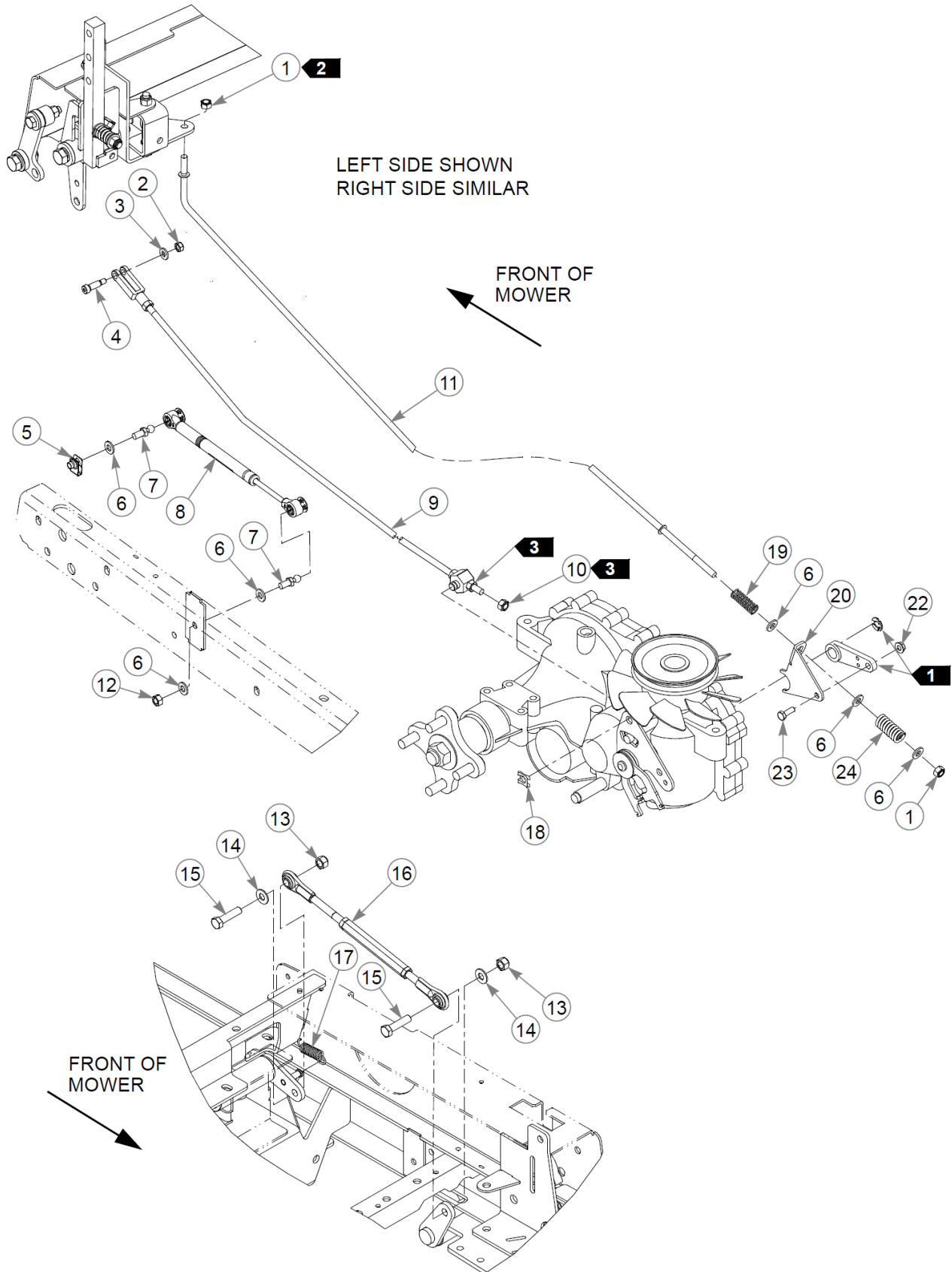
| Item | Part No. | Qty | Name |
|------|----------|-----|--------------------------|
| 1 | 602094 | 1 | FAN / PULLEY KIT |
| 2 | 607729 | 1 | FAN - 7.0" (10 BLADE) |
| 3 | 600970 | 1 | KIT, HUB, 4 BOLT |
| 4 | 600976 | 1 | HYDRAULIC OIL FILTER |
| 5 | 604902 | 1 | HG RTN CCW |
| 6 | 604903 | 1 | HG RTN SPRING |
| 7 | 604324 | 3 | CS .250-20 X .75 HX FLG |
| 8 | 600974 | 1 | GUARD, TRANS FILTER |
| 9 | 603223 | 1 | O-RING, ZT28/3100 CHARGE |
| 10 | 603572 | 1 | COVER, ZT3100 CHRGE PUMP |
| 11 | 601221 | 1 | ZT2800 BRAKE ARM - 2007 |
| 12 | 600972 | 1 | CLIP, RETAINING |
| 13 | 606830 | 1 | OIL RETENSION KIT |
| 14 | 607199 | 1 | SEAL KIT |
| 15 | 607869 | 1 | TUBE - SEALANT |

Comments for Part Num. 607869

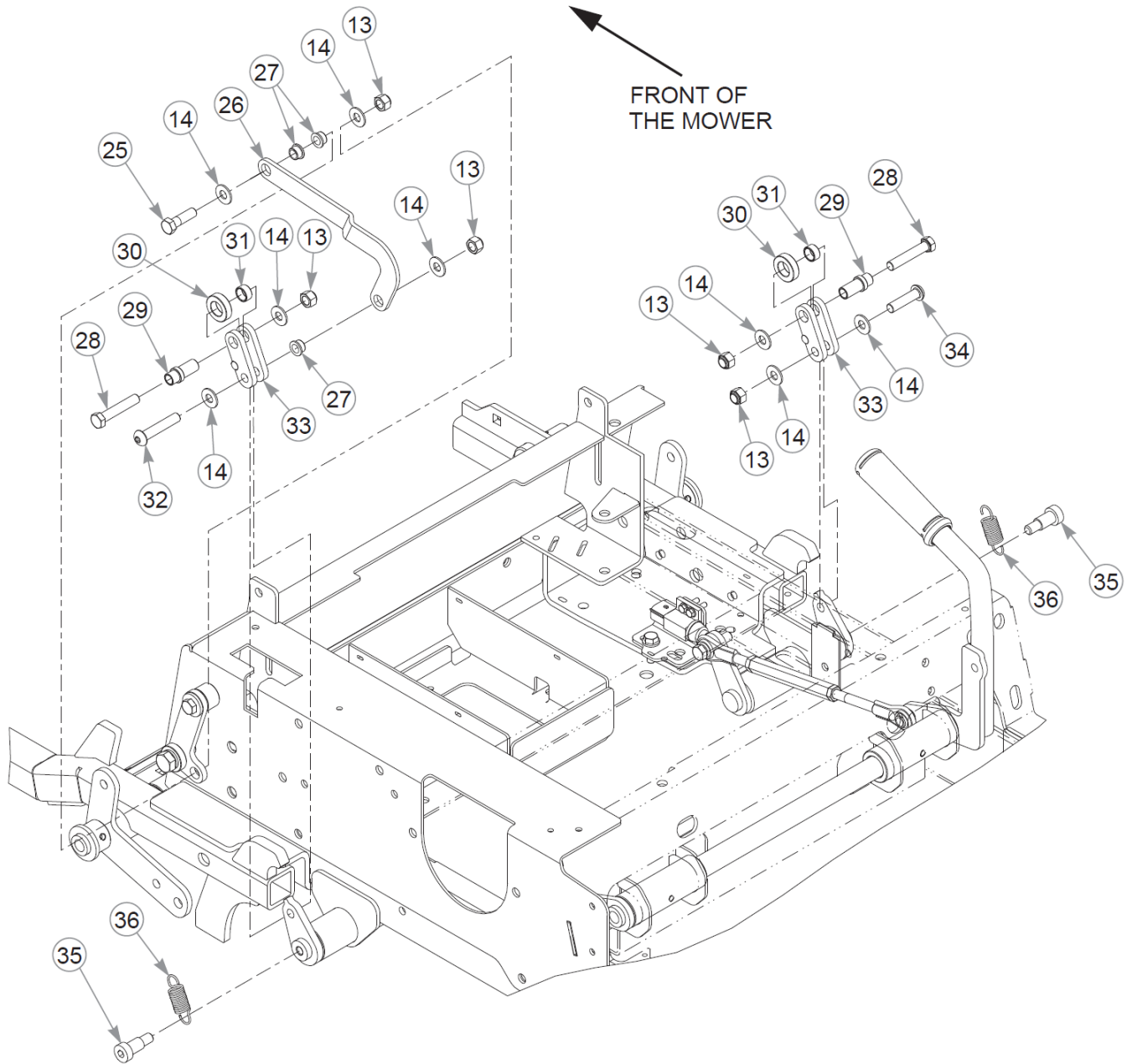
Used for sealing side cover on transmission. One tube covers multiple covers.

Comments for Page: Transmission Service Parts - 604709

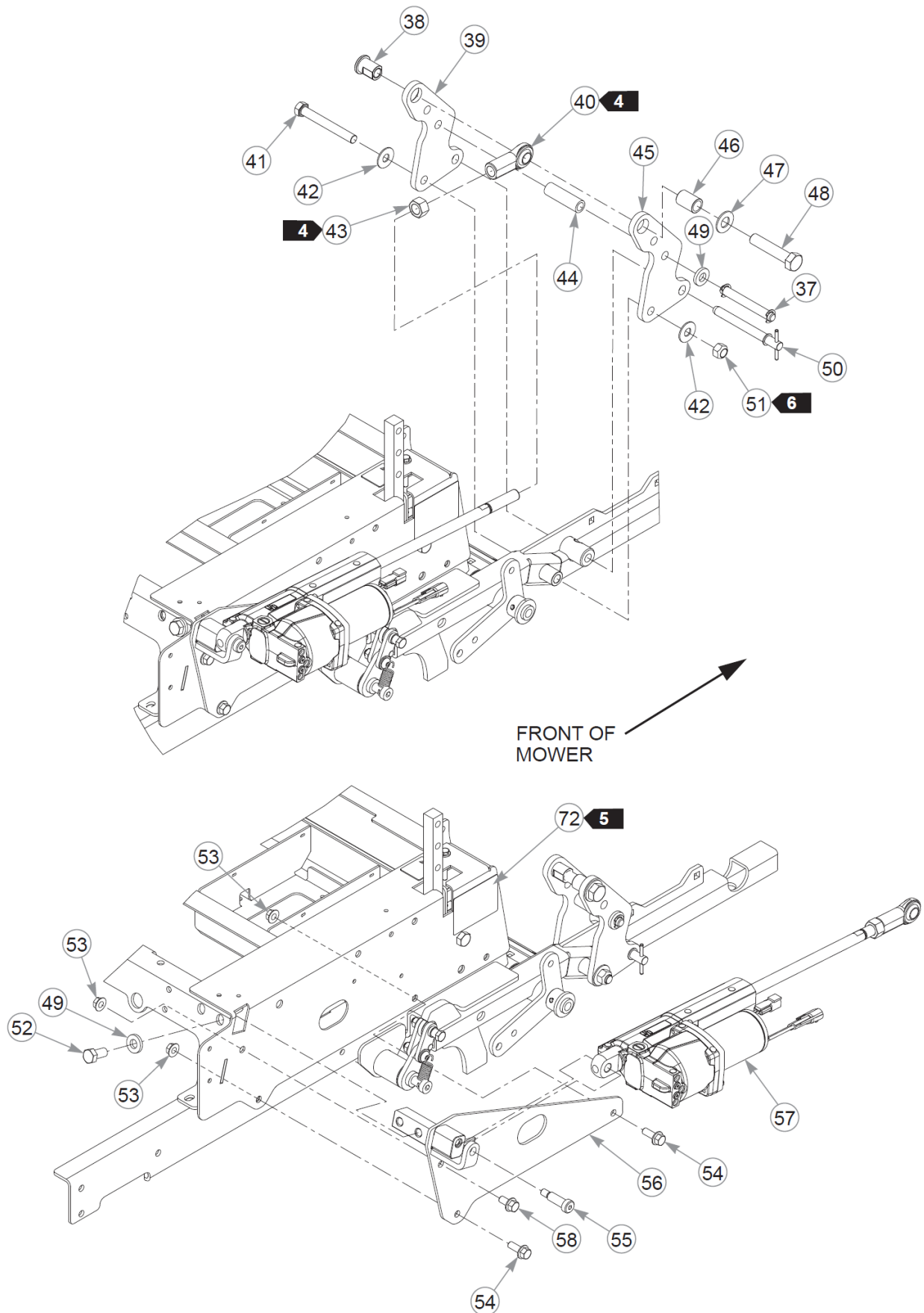
1. Hub kit (600970) includes the hub nut.



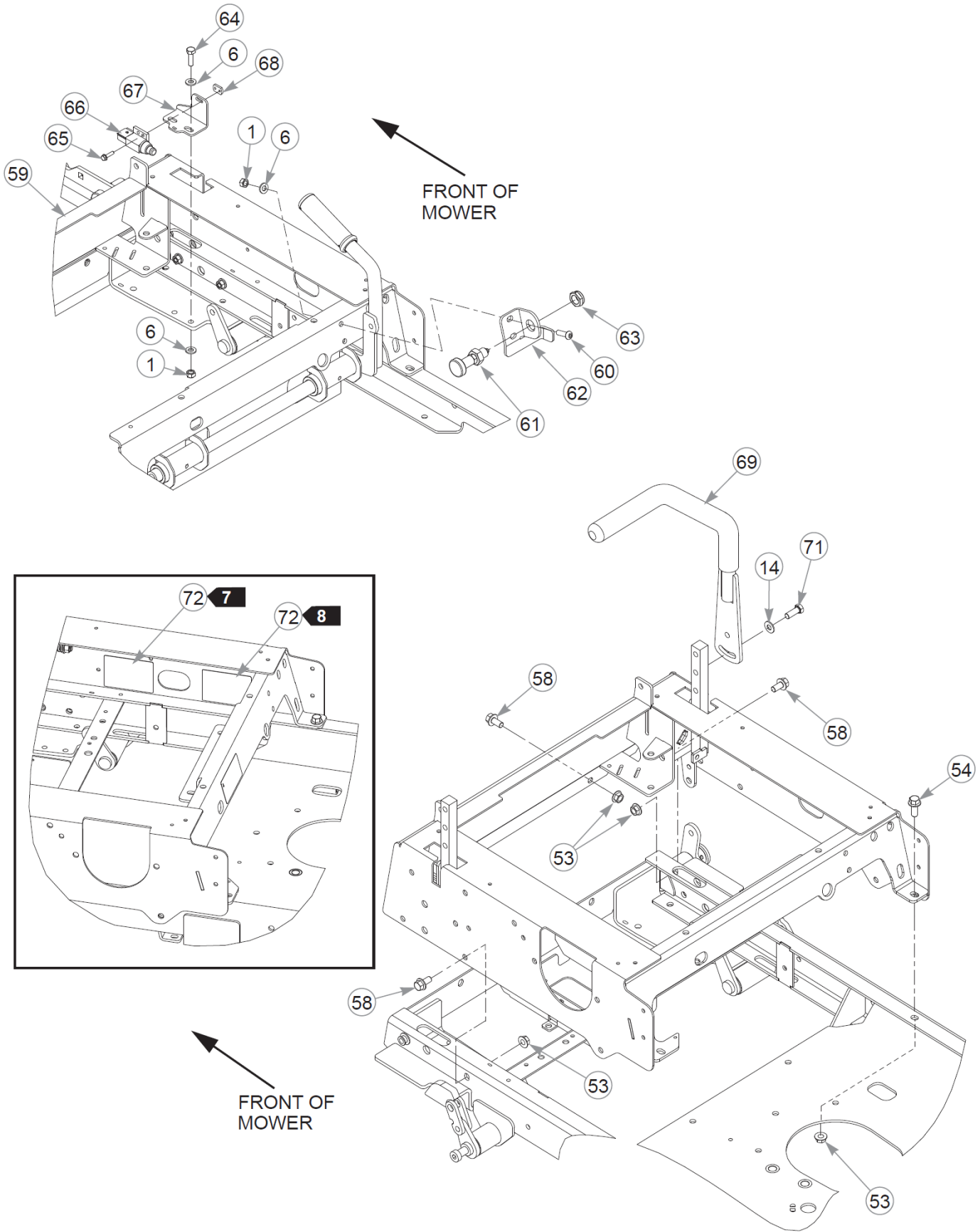
This page intentionally left blank



This page intentionally left blank



This page intentionally left blank



| Item | Part No. | Qty | Name |
|------|----------|-----|--------------------------|
| 1 | 058776 | 8 | NT .312-18NLG5 |
| 2 | 068551 | 2 | NT .250-20 HXZY NL |
| 3 | 768515 | 2 | FW 0.281SAE |
| 4 | 772483 | 2 | SB0.312X0.750SH0.250-20 |
| 5 | 601069 | 2 | CN .312-18x.200 MAX THK |
| 6 | 768523 | 18 | FW 0.343SAE |
| 7 | 781922 | 4 | BALL STUD |
| 8 | 603983 | 2 | DAMPER |
| 9 | 605273 | 2 | STEERING ROD S/A |
| 10 | 023655 | 2 | NT 0.312-24 NL G8 |
| 11 | 605622 | 2 | BRAKE ROD |
| 12 | 034272 | 2 | NT .312-18HXG5 |
| 13 | 086660 | 9 | NT .375-16NLG8 |
| 14 | 767954 | 16 | FW 0.379X.82X.06 HD ZN |
| 15 | 080655 | 4 | CS .375-16X1.500HXG5 |
| 16 | 605297 | 2 | TURNBUCKLE, FRAME LATCH |
| 17 | 034652 | 1 | SPRING 2.5 |
| 18 | 606575 | 2 | CLIP, SAFETY |
| 19 | 601131 | 2 | SPRING, BRAKE ARM RET. |
| 20 | 109203 | 1 | BRAKE SPRING LINK, LS |
| 21 | 109202 | 1 | BRAKE SPRING LINK, RS |
| 22 | 016816 | 2 | NT .250-20FLKG5 |
| 23 | 055939 | 2 | CS .250-20X0.75 HX G5 ZN |
| 24 | 601051 | 2 | OVERTRAVEL SPRING |
| 25 | 052860 | 1 | CS .375-16X1.25 HX G5 ZN |
| 26 | 119303 | 1 | LATCH ARM |
| 27 | 765339 | 3 | BUSHING,IGUS#0608 (FS) |
| 28 | 016410 | 2 | CS .375-16X2.000HXG5 |
| 29 | 120131 | 2 | SPACER, CAM FOLLOWER |
| 30 | 605618 | 2 | BUSHING, LATCH BEARING |
| 31 | 605619 | 2 | BUSHING, .500X.625 |
| 32 | 605680 | 1 | CS .375-16 x 2.00 BH BO |
| 33 | 118882 | 2 | W/A, CARRIER LATCH |
| 34 | 604816 | 1 | CS .375-16X1.5 BH ZN |
| 35 | 728550 | 2 | SB .50X.75SH .375-16TD |
| 36 | 605243 | 2 | SPRING, TENSION .625OD |

This page intentionally left blank

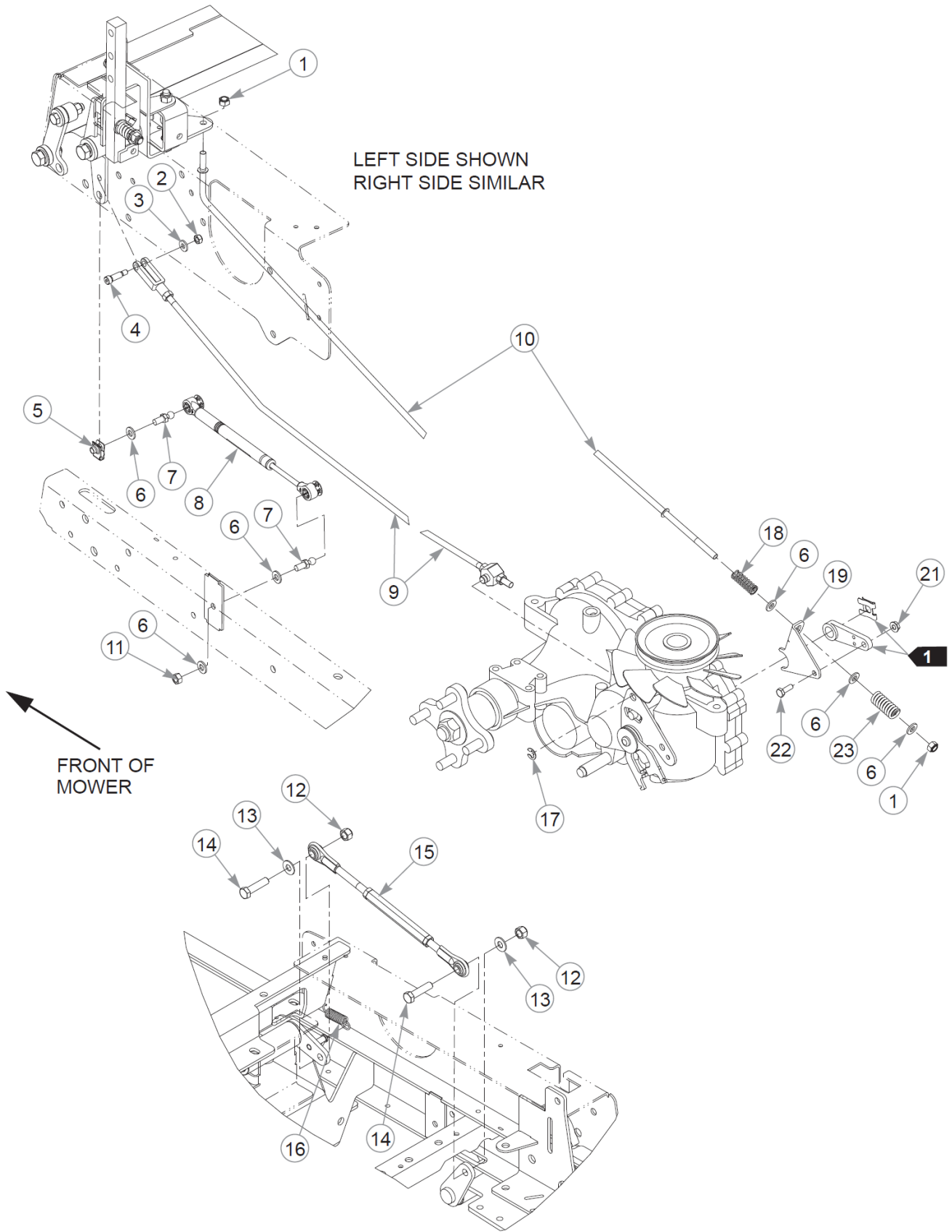
| Item | Part No. | Qty | Name |
|-----------|----------|-----|--------------------------|
| 37 | 605241 | 1 | CE 0.500X4.00X3.50 HDLS |
| 38 | 118890 | 1 | ACTUATOR SPACER, INNER |
| 39 | 118889 | 1 | LIFT PIVOT PLATE, LH |
| 40 | 605488 | 1 | ROD END, .625 I.D. |
| 41 | 089938 | 1 | CS .500-13X4.000HXG5 |
| 42 | 704759 | 2 | FW 0.500X1.25X.08 ZN |
| 43 | 605489 | 1 | NT0.625-18 HX G5 ZK |
| 44 | 605630 | 1 | LIFT PIVOT SPACER |
| 45 | 118888 | 1 | LIFT PIVOT PLATE, RH |
| 46 | 118891 | 1 | ACTUATOR SPACER, OUTER |
| 47 | 728030 | 1 | FW .656X 1.312X.090 ZN |
| 48 | 029934 | 1 | CS .625-11X3.000HXG5 |
| 49 | 767962 | 3 | FW .531 x 1.063 x .175 |
| 50 | 605240 | 1 | LYNCH PIN 0.500 DIA |
| 51 | 023317 | 1 | NT .500-13UNTG8 |
| 52 | 016527 | 2 | CS .500-13X1.000HXG5 |
| 53 | 016899 | 11 | NT .375-16 FLKG5 |
| 54 | 029751 | 4 | CS .375-16X1.00 HXF G5ZN |
| 55 | 760330 | 1 | SB .500X 1.250 SH .375- |
| 56 | 118859 | 1 | W/A, ACTUATOR MOUNT |
| 57 | 606159 | 1 | ACTUATOR S/A |
| 58 | 029629 | 7 | CS .375-16X0.75 HXF G5ZN |
| 59 | N/A | 1 | STEERING BOX ASSEMBLY |
| 60 | 602231 | 2 | CS .312-18X1.00 BTNHD ZN |
| 61 | 604872 | 1 | SPRING PLUNGER, LOCKING |
| 62 | 118837 | 1 | PLUNGER BRKT |
| 63 | 602728 | 1 | NT .625-11 HXZN NL THIN |
| 64 | 036236 | 2 | CS .312-18X1.000HXG5 |
| 65 | 063198 | 2 | CS #10-24X0.750FLKG5 |
| 66 | 602538 | 1 | SWITCH PLUNGER, NC/NO |
| 67 | 120430 | 1 | SWITCH BRACKET |
| 68 | 601822 | 1 | NUT PLATE, .420 CENTERS |
| 69 | 605383 | 1 | STEERING BAR W/A, RH |
| 70 | 605384 | 1 | STEERING BAR W/A, LH |
| Not Shown | 781260 | 1 | GRIP, STEERING BAR |
| 71 | 036244 | 4 | CS .375-16X1.00 HX G5 ZN |

This page intentionally left blank

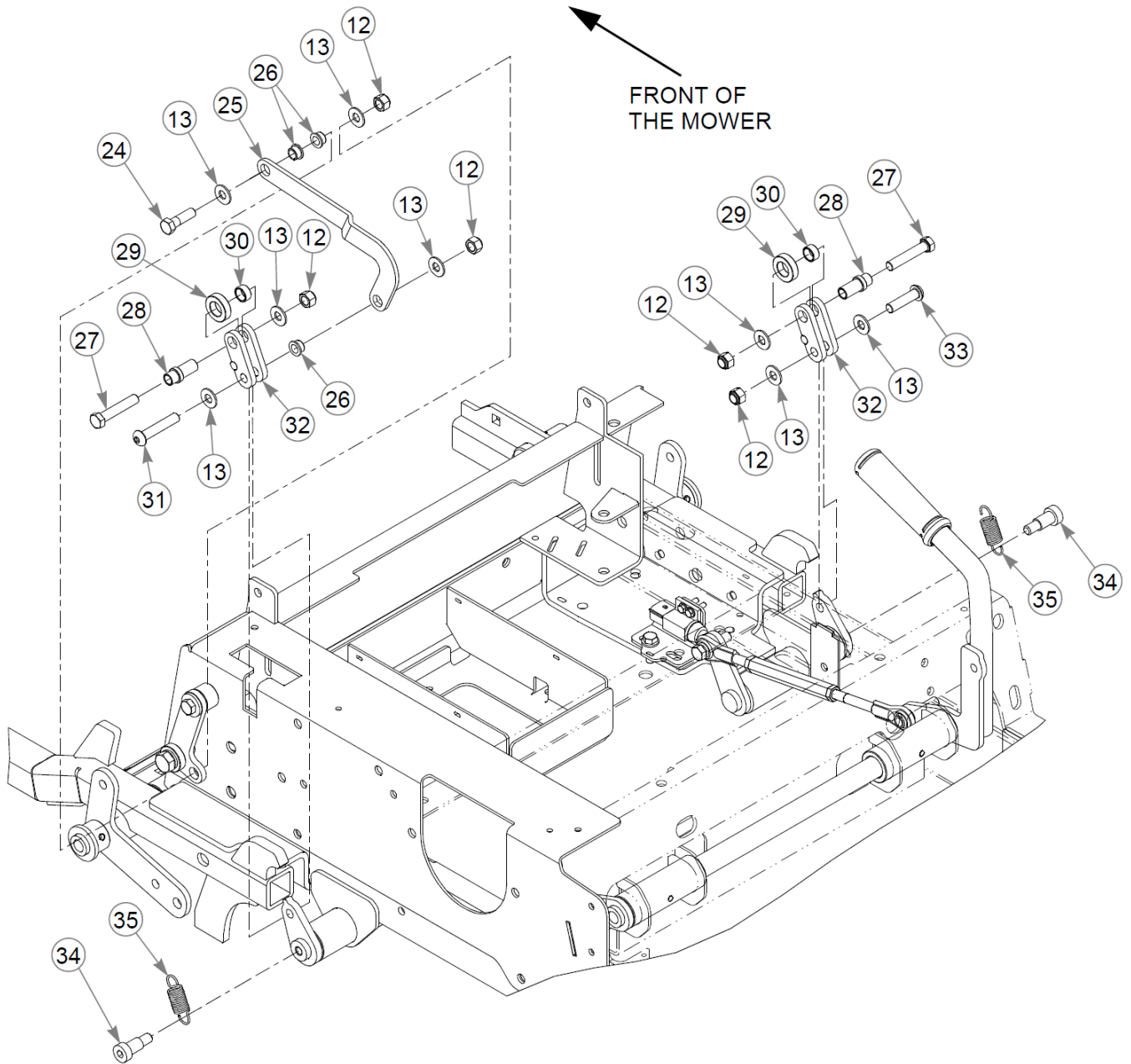
| Item | Part No. | Qty | Name |
|------|----------|-----|-------------------------|
| 72 | N/A | 3 | SERIAL NO. / SPEC DECAL |

Comments for Page: Steering, Brake & Deck Lift Controls—S/N 16042182 & Higher (Multi-Page)

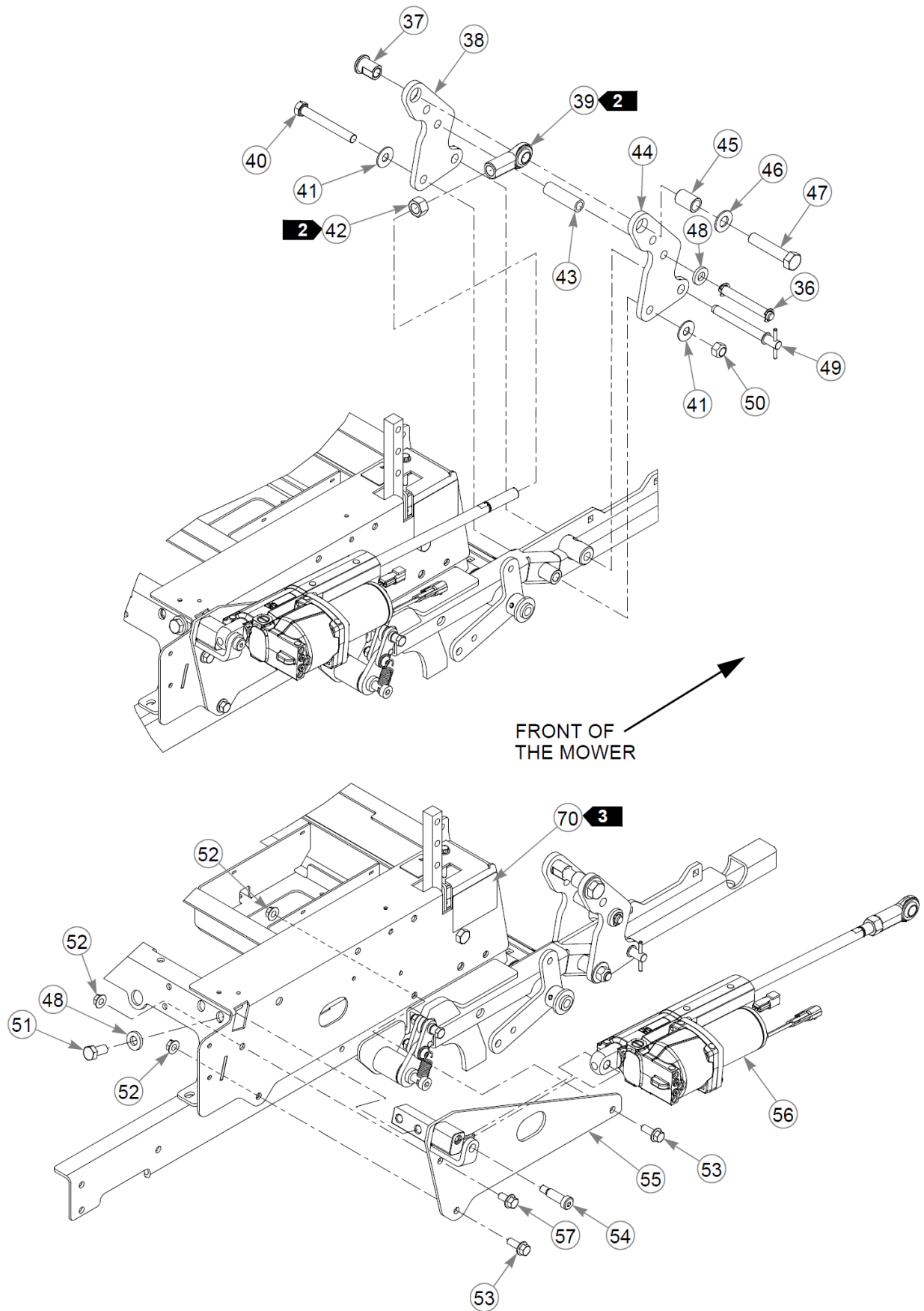
1. Part of the transmission.
 2. The nut must be flush with the end of the brake rod.
 3. Torque to 14 ft-lbs.
 4. Part of the actuator assembly, 606159.
 5. Serial number decal. In the event the serial number decal becomes damaged or illegible, please contact your dealer to order a replacement.
 6. Do not torque. Tighten nut until snug. Afterward, back off nut until pivot plates are able to rotate freely.
 7. EPA compliance decal.
 8. Patent numbers decal.
 9. The steering handle includes the grip.
1. Part of the transmission.
 2. The nut must be flush with the end of the brake rod.
 3. Torque to 14 ft-lbs.
 4. Part of the actuator assembly, 606159.
 5. Serial number decal. In the event the serial number decal becomes damaged or illegible, please contact your dealer to order a replacement.
 6. EPA compliance decal.
 7. Patent numbers decal.
 8. The steering handle includes the grip.



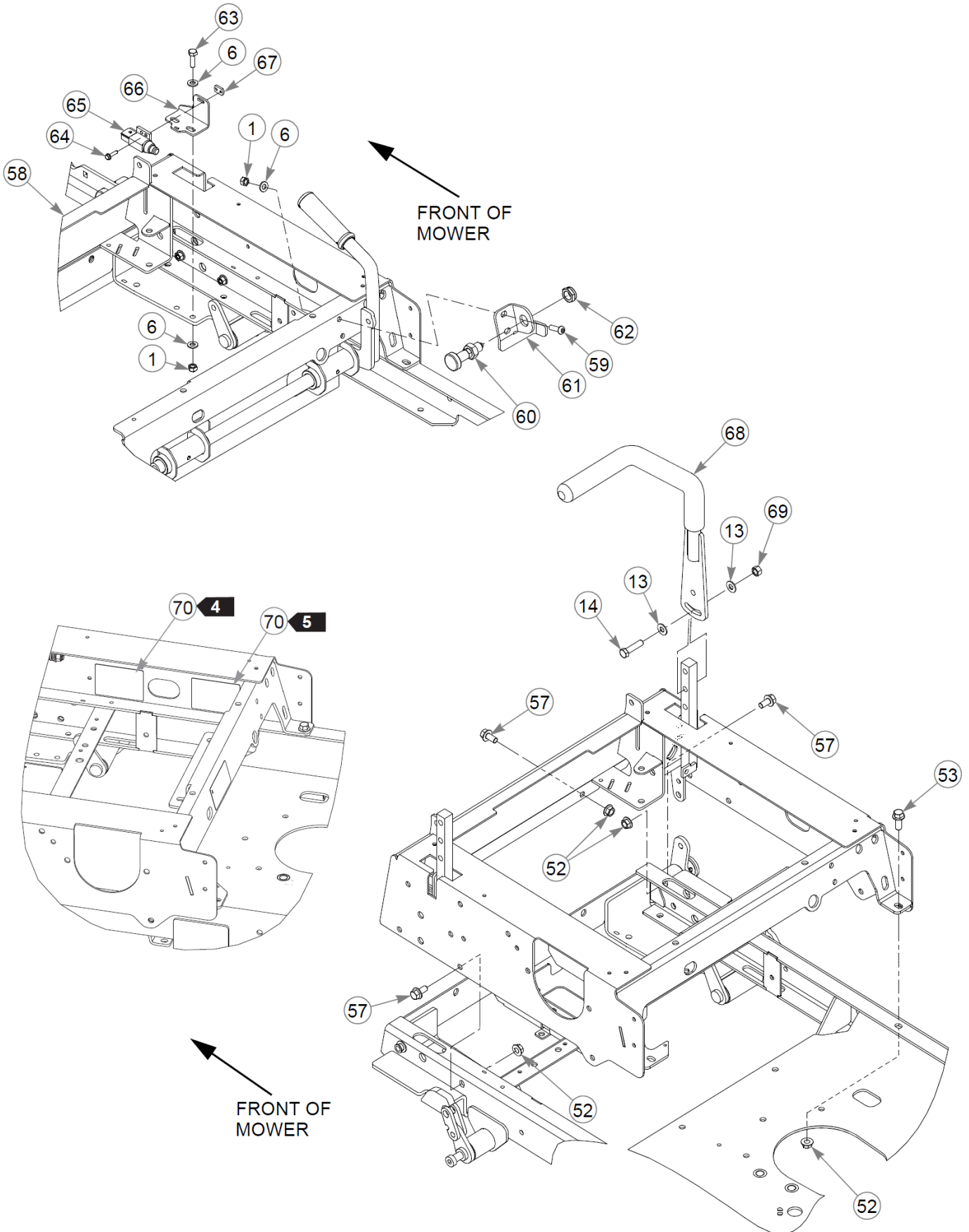
This page intentionally left blank



This page intentionally left blank



This page intentionally left blank



| Item | Part No. | Qty | Name |
|------|----------|-----|--------------------------|
| 1 | 058776 | 8 | NT .312-18NLG5 |
| 2 | 068551 | 2 | NT .250-20 HXZY NL |
| 3 | 768515 | 2 | FW 0.281SAE |
| 4 | 772483 | 2 | SB0.312X0.750SH0.250-20 |
| 5 | 601069 | 2 | CN .312-18x.200 MAX THK |
| 6 | 768523 | 18 | FW 0.343SAE |
| 7 | 781922 | 4 | BALL STUD |
| 8 | 603983 | 2 | DAMPER |
| 9 | 605273 | 2 | STEERING ROD S/A |
| 10 | 605622 | 2 | BRAKE ROD |
| 11 | 034272 | 2 | NT .312-18HXG5 |
| 12 | 086660 | 9 | NT .375-16NLG8 |
| 13 | 767954 | 20 | FW 0.379X.82X.06 HD ZN |
| 14 | 080655 | 8 | CS .375-16X1.500HXG5 |
| 15 | 605297 | 2 | TURNBUCKLE, FRAME LATCH |
| 16 | 034652 | 1 | SPRING 2.5 |
| 17 | 603332 | 2 | CLIP E .66 X .303 X .035 |
| 18 | 601131 | 2 | SPRING, BRAKE ARM RET. |
| 19 | 109203 | 1 | BRAKE SPRING LINK, LS |
| 20 | 109202 | 1 | BRAKE SPRING LINK, RS |
| 21 | 016816 | 2 | NT .250-20FLKG5 |
| 22 | 055939 | 2 | CS .250-20X0.75 HX G5 ZN |
| 23 | 601051 | 2 | OVERTRAVEL SPRING |
| 24 | 052860 | 1 | CS .375-16X1.25 HX G5 ZN |
| 25 | 119303 | 1 | LATCH ARM |
| 26 | 765339 | 3 | BUSHING,IGUS#0608 (FS) |
| 27 | 016410 | 2 | CS .375-16X2.000HXG5 |
| 28 | 120131 | 2 | SPACER, CAM FOLLOWER |
| 29 | 605618 | 2 | BUSHING, LATCH BEARING |
| 30 | 605619 | 2 | BUSHING, .500X.625 |
| 31 | 605680 | 1 | CS .375-16 x 2.00 BH BO |
| 32 | 118882 | 2 | W/A, CARRIER LATCH |
| 33 | 604816 | 1 | CS .375-16X1.5 BH ZN |
| 34 | 728550 | 2 | SB .50X.75SH .375-16TD |
| 35 | 605243 | 2 | SPRING, TENSION .625OD |
| 36 | 605241 | 1 | CE 0.500X4.00X3.50 HDLS |

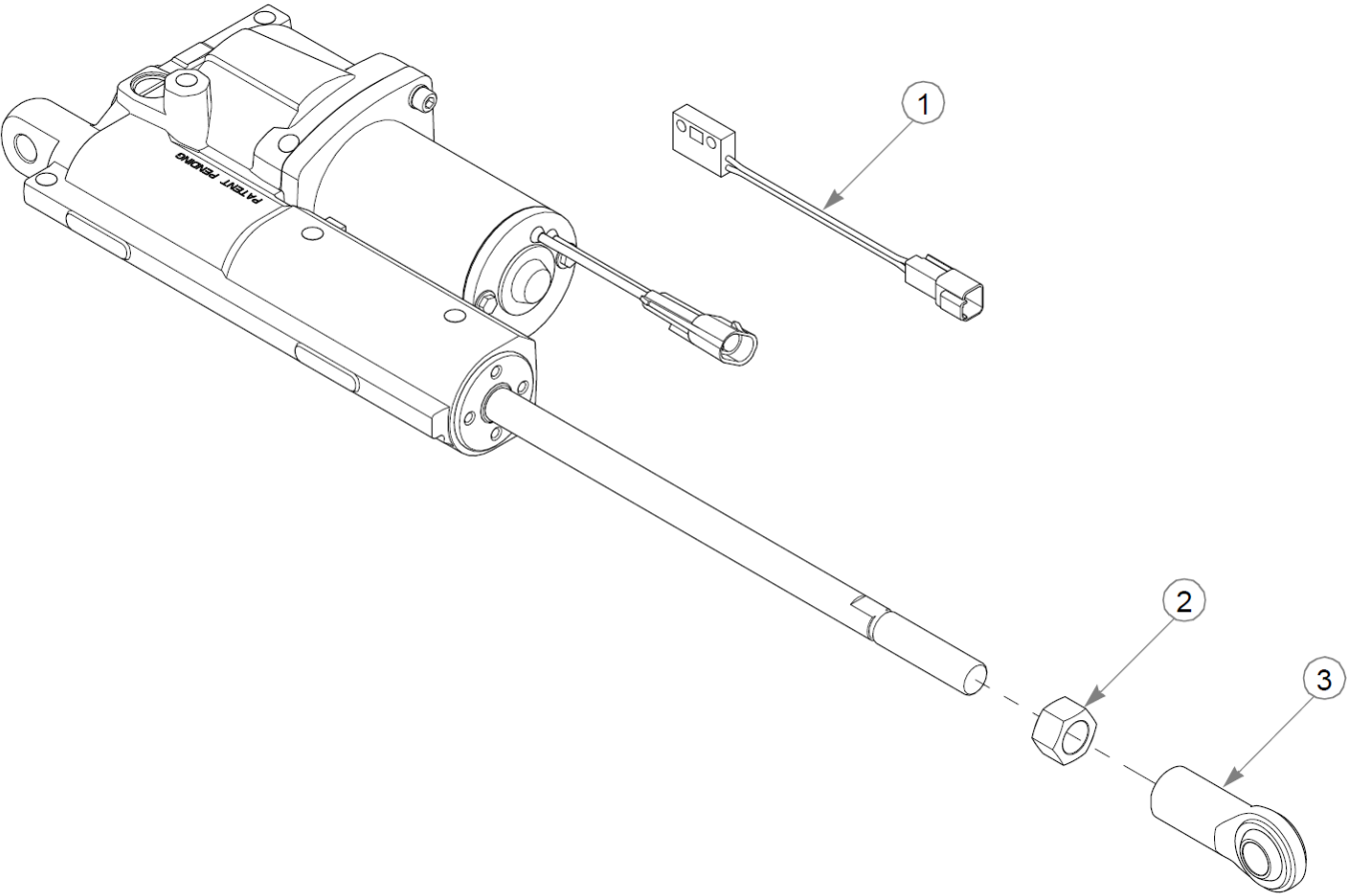
This page intentionally left blank

| Item | Part No. | Qty | Name |
|-----------|----------|-----|--------------------------|
| 37 | 118890 | 1 | ACTUATOR SPACER, INNER |
| 38 | 118889 | 1 | LIFT PIVOT PLATE, LH |
| 39 | 605488 | 1 | ROD END, .625 I.D. |
| 40 | 089938 | 1 | CS .500-13X4.000HXG5 |
| 41 | 704759 | 2 | FW 0.500X1.25X.08 ZN |
| 42 | 605489 | 1 | NT0.625-18 HX G5 ZK |
| 43 | 605630 | 1 | LIFT PIVOT SPACER |
| 44 | 118888 | 1 | LIFT PIVOT PLATE, RH |
| 45 | 118891 | 1 | ACTUATOR SPACER, OUTER |
| 46 | 728030 | 1 | FW .656X 1.312X.090 ZN |
| 47 | 029934 | 1 | CS .625-11X3.000HXG5 |
| 48 | 767962 | 3 | FW .531 x 1.063 x .175 |
| 49 | 605240 | 1 | LYNCH PIN 0.500 DIA |
| 50 | 023317 | 1 | NT .500-13UNTG8 |
| 51 | 016527 | 2 | CS .500-13X1.000HXG5 |
| 52 | 016899 | 11 | NT .375-16 FLKG5 |
| 53 | 029751 | 4 | CS .375-16X1.00 HXF G5ZN |
| 54 | 760330 | 1 | SB .500X 1.250 SH .375- |
| 55 | 118859 | 1 | W/A, ACTUATOR MOUNT |
| 56 | 606159 | 1 | ACTUATOR S/A |
| 57 | 029629 | 7 | CS .375-16X0.75 HXF G5ZN |
| 58 | N/A | 1 | CONTROL SUB-ASSEMBLY |
| 59 | 602231 | 2 | CS .312-18X1.00 BTNHD ZN |
| 60 | 604872 | 1 | SPRING PLUNGER, LOCKING |
| 61 | 118837 | 1 | PLUNGER BRKT |
| 62 | 602728 | 1 | NT .625-11 HXZN NL THIN |
| 63 | 036236 | 2 | CS .312-18X1.000HXG5 |
| 64 | 063198 | 2 | CS #10-24X0.750FLKG5 |
| 65 | 602538 | 1 | SWITCH PLUNGER, NC/NO |
| 66 | 120430 | 1 | SWITCH BRACKET |
| 67 | 601822 | 1 | NUT PLATE, .420 CENTERS |
| 68 | 605383 | 2 | STEERING BAR W/A, RH |
| Not Shown | 781260 | 1 | GRIP, STEERING BAR |
| 69 | 054502 | 4 | NT .375-16HXG5 |
| 70 | N/A | 3 | SERIAL NO. / SPEC DECAL |

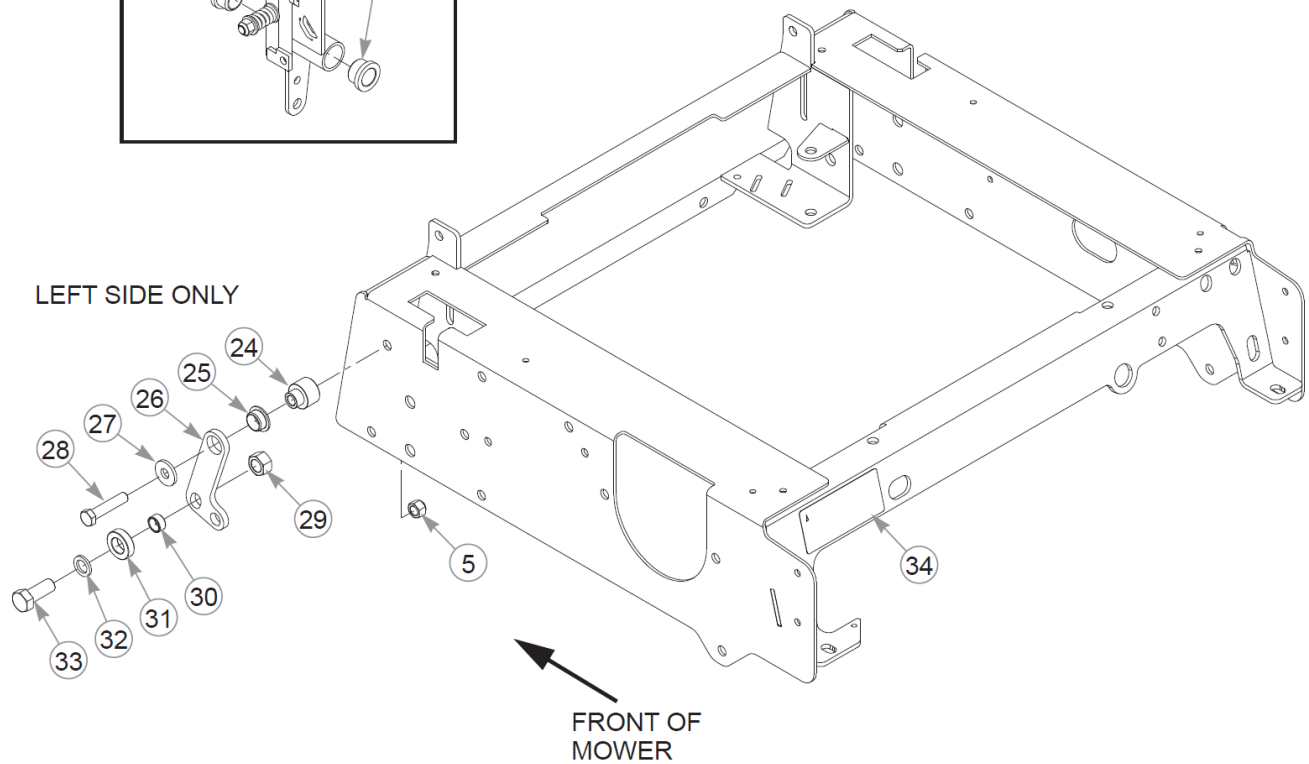
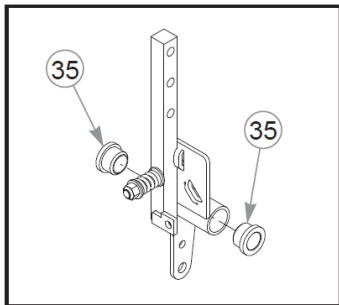
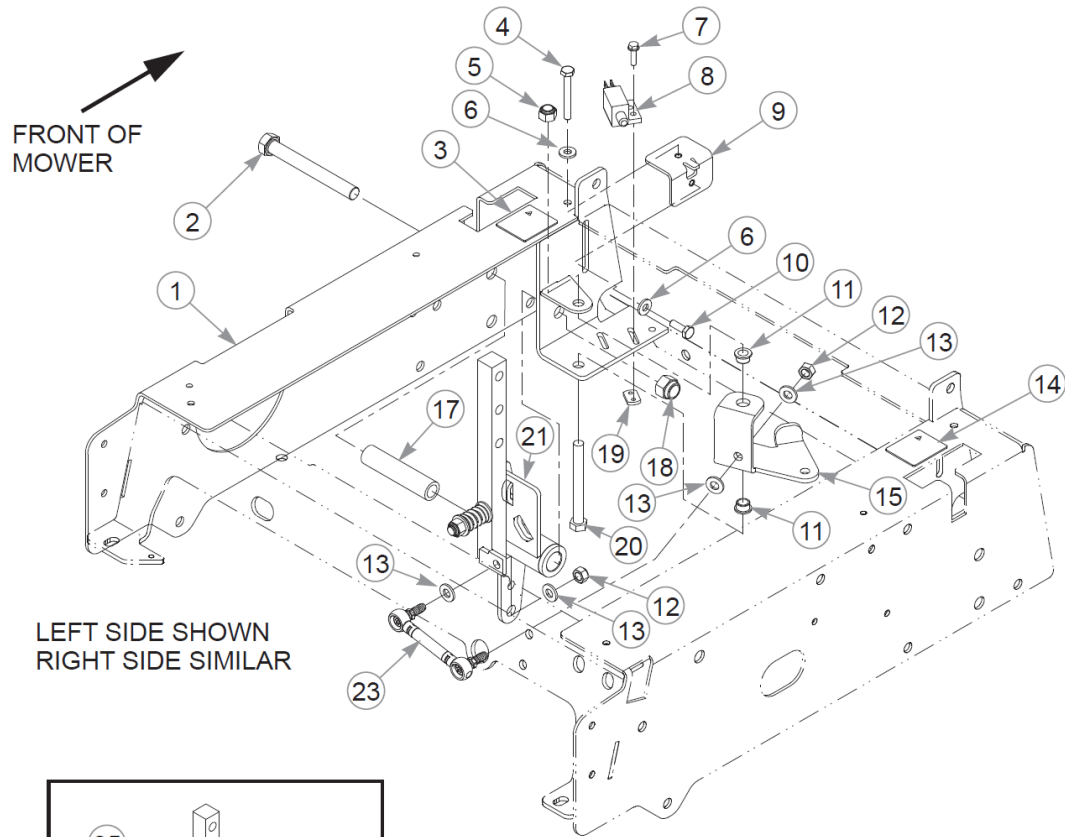
Comments for Page: Steering, Brake & Deck Lift Controls—S/N Prior to 16042182 (Multi-Page)

1. Part of the transmission.
2. Part of the actuator assembly (606159).
3. Serial number decal. In the event the serial number decal becomes damaged or illegible, please contact your dealer to order a replacement.
4. EPA compliance decal.
5. Patent numbers decal.
6. The steering handle includes the grip.

This page intentionally left blank



| Item | Part No. | Qty | Name |
|------|----------|-----|---------------------|
| 1 | 608850 | 1 | SWITCH, LIMIT |
| 2 | 605489 | 1 | NT0.625-18 HX G5 ZK |
| 3 | 605488 | 1 | ROD END, .625 I.D. |



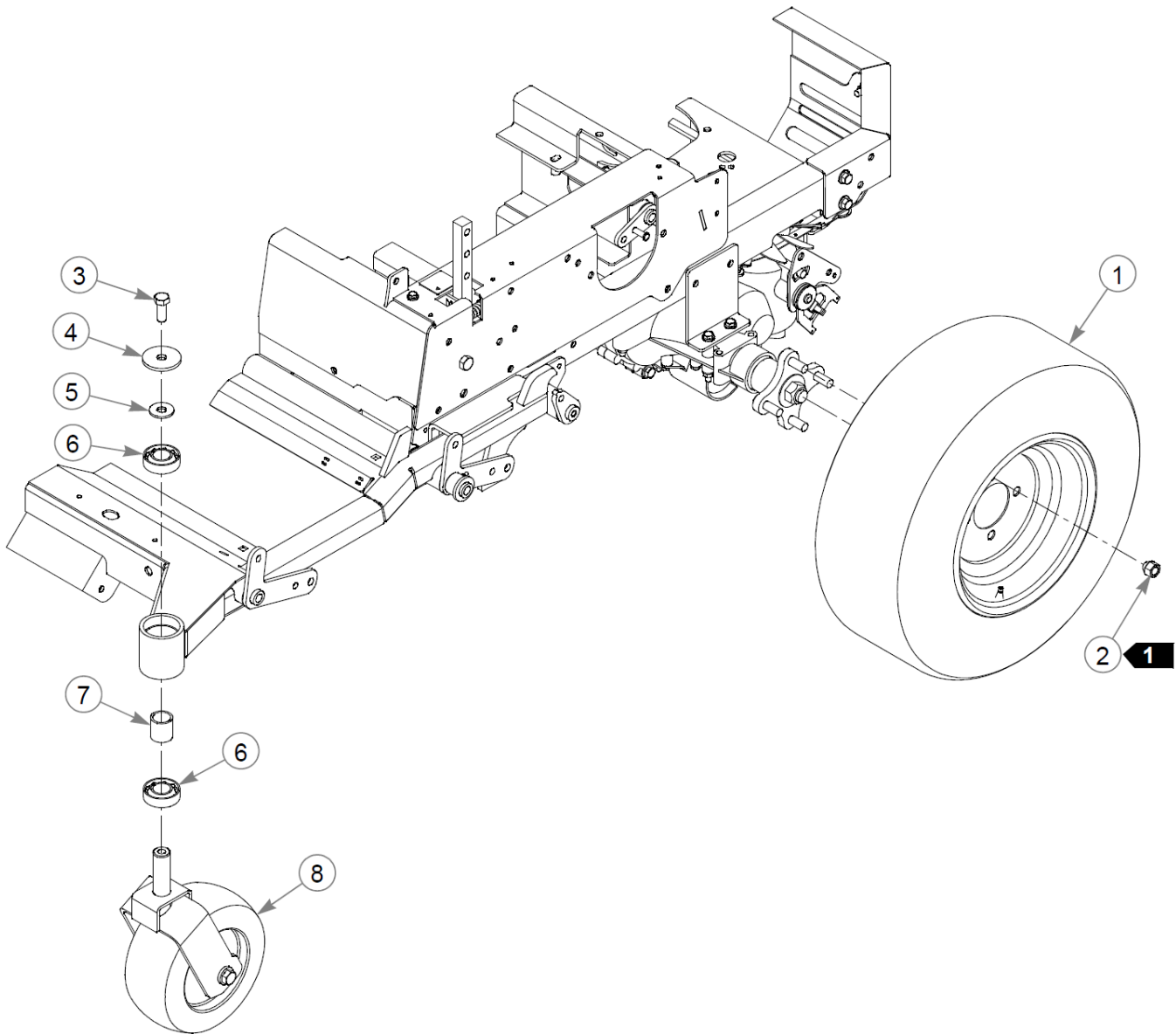
| Item | Part No. | Qty | Name |
|-----------|----------|-----|--------------------------|
| 1 | 552923 | 1 | SVC, CONTROL ASSY RFU |
| 2 | 781708 | 2 | CS .500-13X4.25 HX G5 ZN |
| 3 | 785139 | 1 | DECAL, STEERING L.S. |
| 4 | 604452 | 2 | CS .250-20X2.00 HX FH ZN |
| 5 | 086660 | 3 | NT .375-16NLG8 |
| 6 | 768515 | 4 | FW 0.281SAE |
| 7 | 063198 | 4 | CS #10-24X0.750FLKG5 |
| 8 | 781211 | 2 | SWITCH, PUSH BUTTON |
| 9 | 605529 | 2 | STOP, STEERING |
| 10 | 055939 | 2 | CS .250-20X0.75 HX G5 ZN |
| 11 | 765339 | 4 | BUSHING,IGUS#0608 (FS) |
| 12 | 058776 | 4 | NT .312-18NLG5 |
| 13 | 768523 | 8 | FW 0.343SAE |
| 14 | 785220 | 1 | DECAL, STEERING R.S. |
| 15 | 116142 | 1 | BRAKE BLCRNK, LH |
| 16 | 116141 | 1 | BRAKE BLCRNK, RH |
| 17 | 604288 | 2 | SPACER, STEERING |
| 18 | 781567 | 2 | NT .500-13NLG5 |
| 19 | 601822 | 2 | NUT PLATE, .420 CENTERS |
| 20 | 005108 | 2 | CS .375-16X3.500HXG5 |
| 21 | 606106 | 1 | STEERING BOX SUB, LH |
| Not Shown | 604300 | 1 | STEERING BOX SUB, LH |
| 22 | 606105 | 1 | STEERING BOX SUB, RH |
| Not Shown | 604299 | 1 | STEERING BOX SUB, RH |
| 23 | 604179 | 2 | BRAKE LINK |
| 24 | 119304 | 1 | LATCH SPACER |
| 25 | 602539 | 1 | BUSHING, .625 I.D. |
| 26 | 119302 | 1 | FRAME LATCH |
| 27 | 712919 | 1 | FW 0.406X1.00X.12 HD ZN |
| 28 | 705178 | 1 | CS .375-16X1.750HXG5 |
| 29 | 008193 | 1 | NT .500-13HXG5 |
| 30 | 605619 | 1 | BUSHING, .500X.625 |
| 31 | 605618 | 1 | BUSHING, LATCH BEARING |
| 32 | 604486 | 1 | FW .531X.812X.089 HD |
| 33 | 705954 | 1 | CS .500-13X1.25 HX G5 ZN |
| 34 | 601967 | 1 | DECAL, ENGINE COMPART |

This page intentionally left blank

| Item | Part No. | Qty | Name |
|------|----------|-----|---------------|
| 35 | 781153 | 4 | BUSHING, UHMW |

Comments for Page: Steering & Deck Lift Controls Sub-Assembly

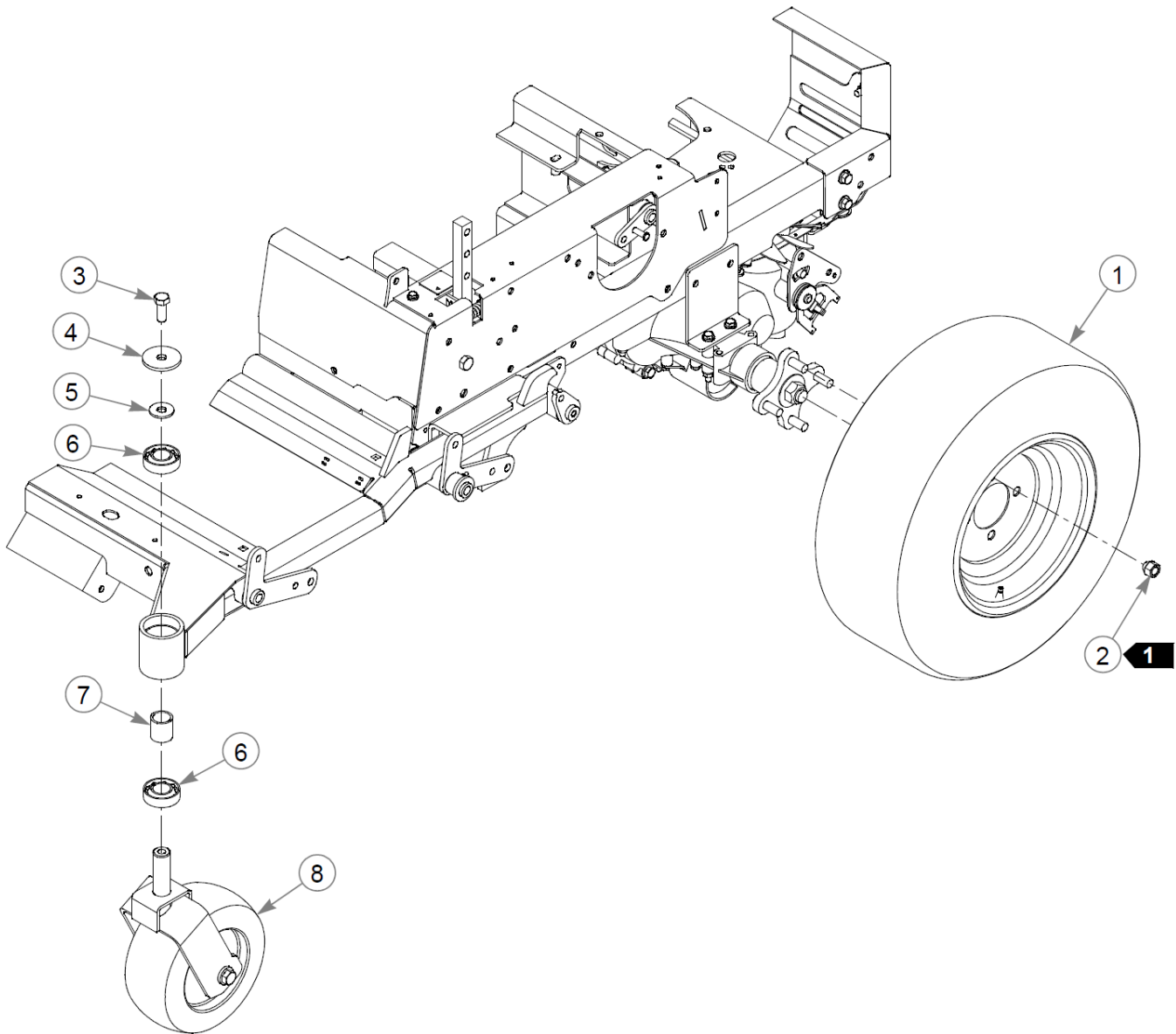
1. 606105 and 606106 are used on mowers S/N 16042182 & higher; 604299 and 604300 are used on mowers S/N prior to 16042182.
2. The steering cover (552923) includes decals.



| Item | Part No. | Qty | Name |
|------|----------|-----|--------------------------|
| 1 | 600676 | 2 | TIR/WHL 20X8.00-10 SLV |
| 2 | 061077 | 8 | WHEEL NUT |
| 3 | 705954 | 2 | CS .500-13X1.25 HX G5 ZN |
| 4 | 344267 | 2 | FW .510X2.15X.19 ZN |
| 5 | 712976 | 2 | FW 0.531X1.38X.12 ZN |
| 6 | 784223 | 4 | BEARING |
| 7 | 784603 | 2 | SPACER |
| 8 | N/A | 1 | FRONT TIRE ASSEMBLY |

Comments for Page: Wheel & Tire - 48" Mowers

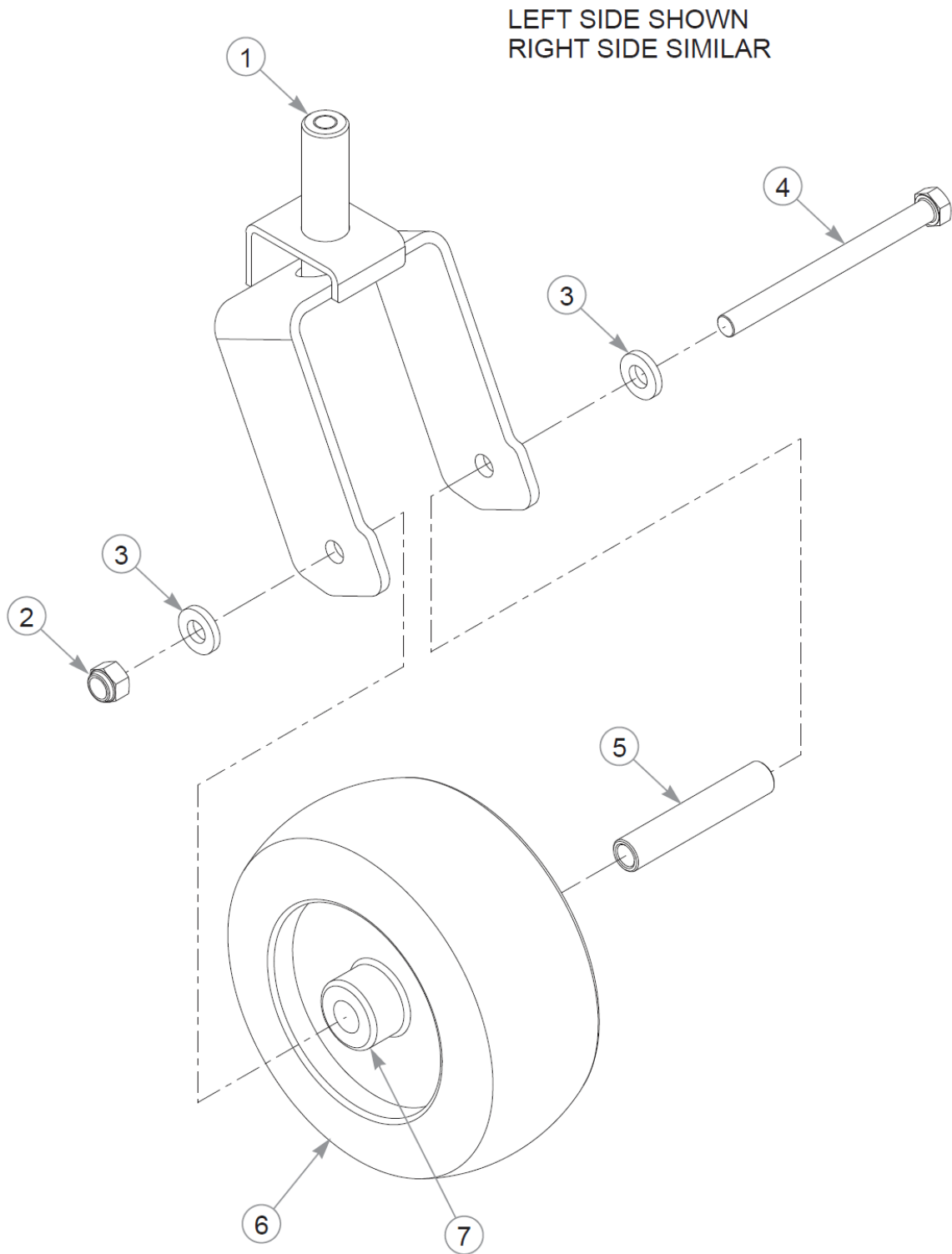
1. Torque to 65–75 ft-lbs.



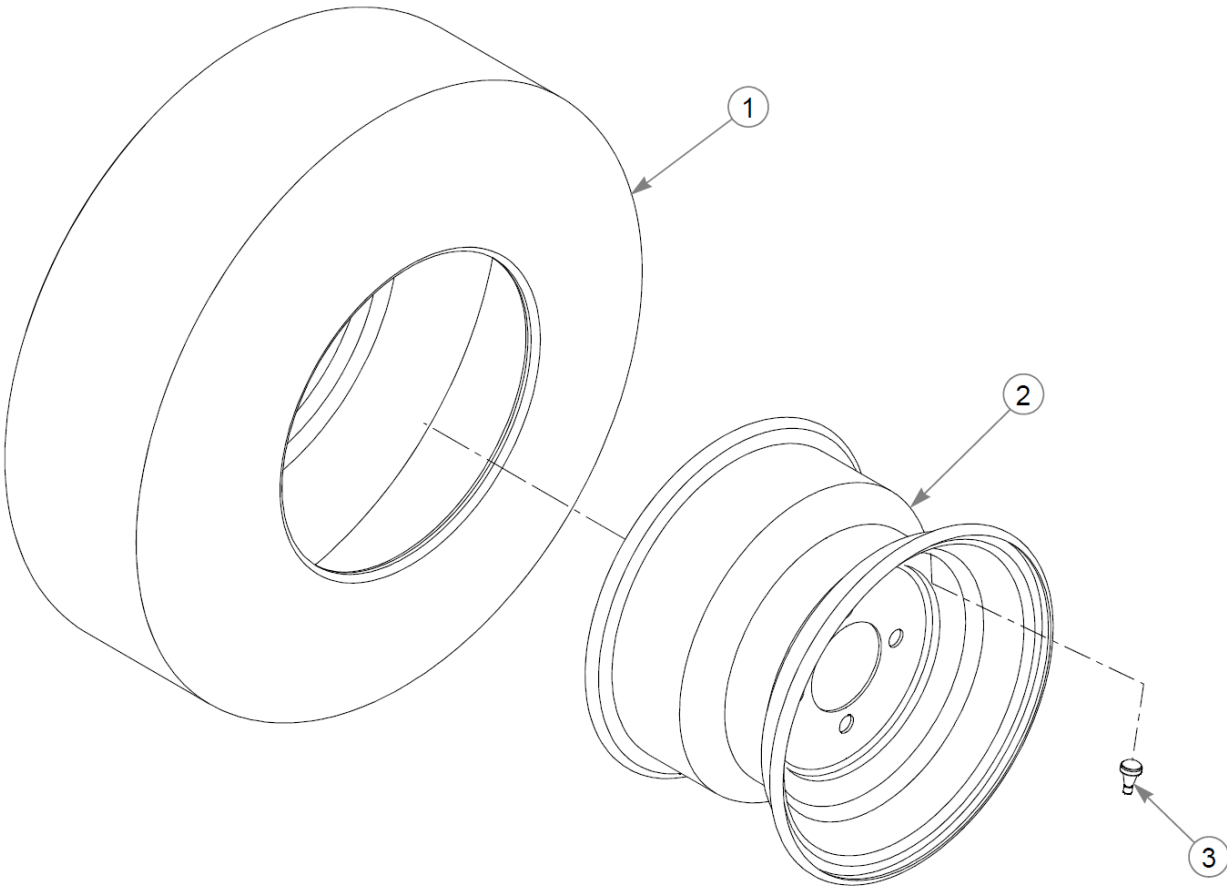
| Item | Part No. | Qty | Name |
|------|----------|-----|--------------------------|
| 1 | 600668 | 2 | TIR/WHL 20X10.00-10 SLV |
| 2 | 061077 | 8 | WHEEL NUT |
| 3 | 705954 | 2 | CS .500-13X1.25 HX G5 ZN |
| 4 | 344267 | 2 | FW .510X2.15X.19 ZN |
| 5 | 712976 | 2 | FW 0.531X1.38X.12 ZN |
| 6 | 784223 | 4 | BEARING |
| 7 | 784603 | 2 | SPACER |
| 8 | N/A | 1 | FRONT TIRE ASSEMBLY |

Comments for Page: Wheel & Tire - 54" Mowers

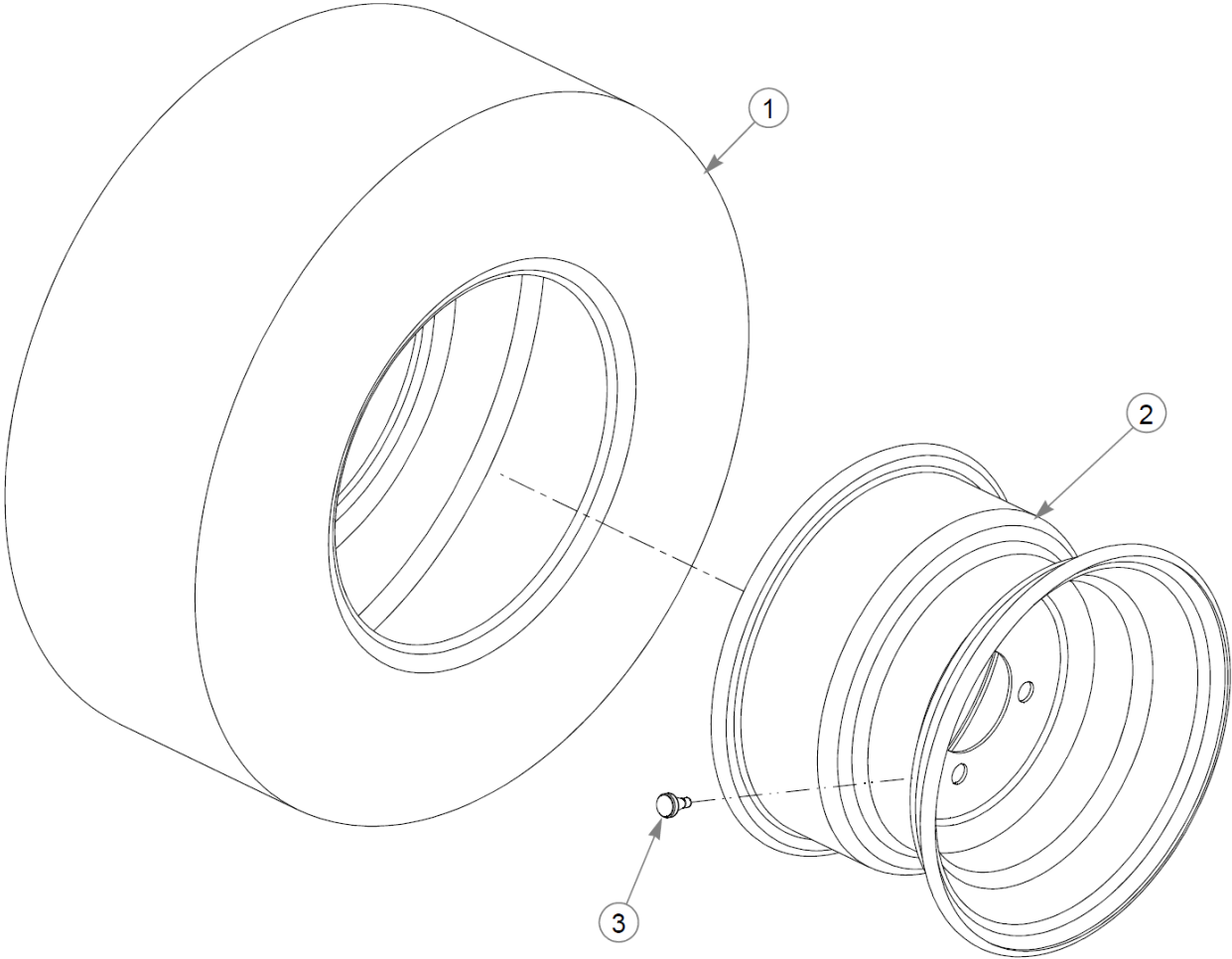
1. Torque to 65–75 ft-lbs.



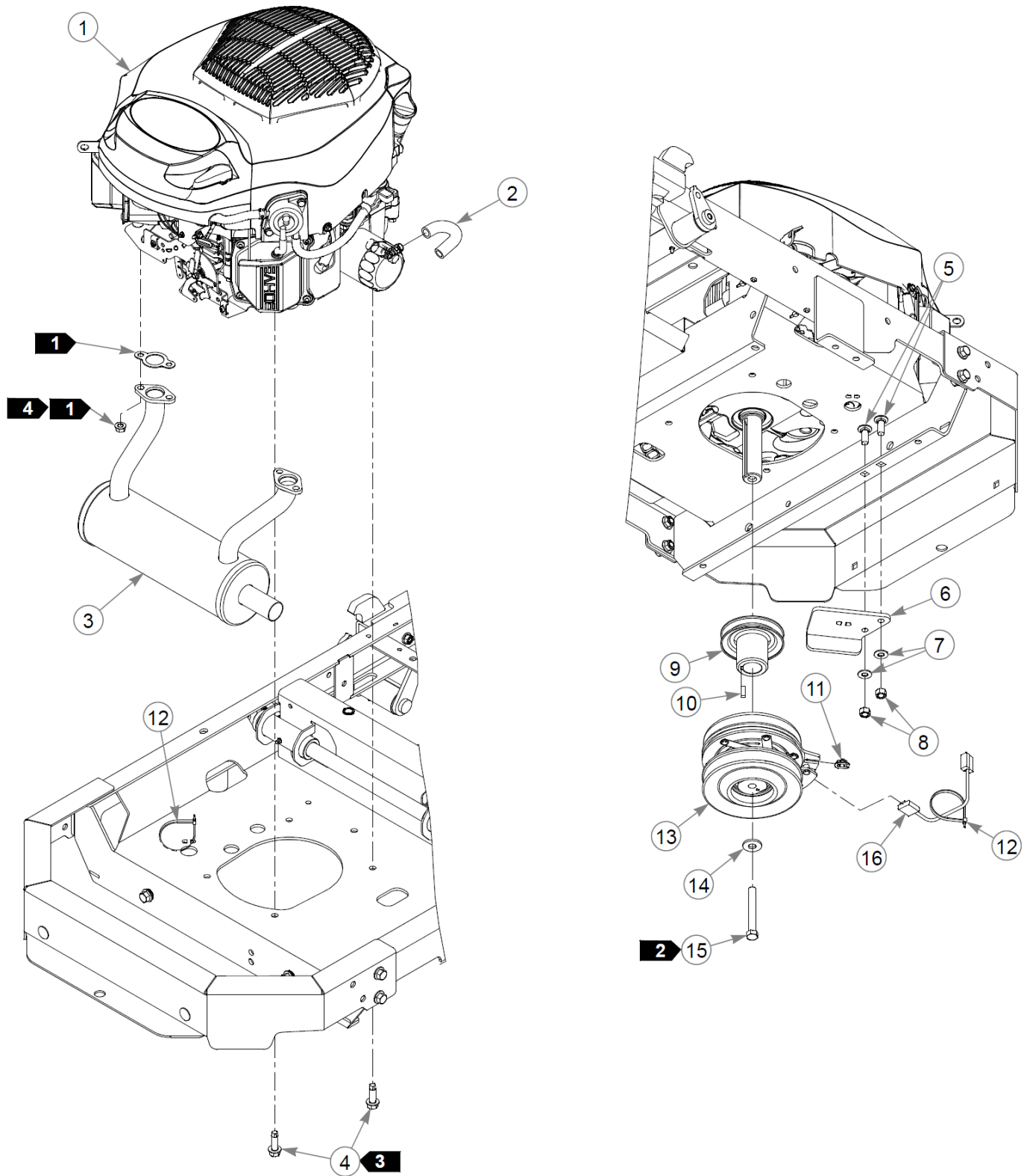
| Item | Part No. | Qty | Name |
|---|----------|-----|-------------------------|
| 1 | 120440 | 1 | W/A CASTER |
| 2 | 707398 | 1 | NT .500-13 JAM NY LK |
| 3 | 767962 | 2 | FW .531 x 1.063 x .175 |
| 4 | 766154 | 1 | CS .500-13 X 5.500 G5 Z |
| 5 | 604089 | 1 | SPACER, GAUGE WHEEL |
| 6 | 604087 | 1 | TIR/WHL 9X3.50-4 SLV |
| <p>Comments for Part Num. 604087</p> <p>Medium Duty bearings.</p> | | | |
| 7 | 786103 | 2 | WHEEL BEARING |



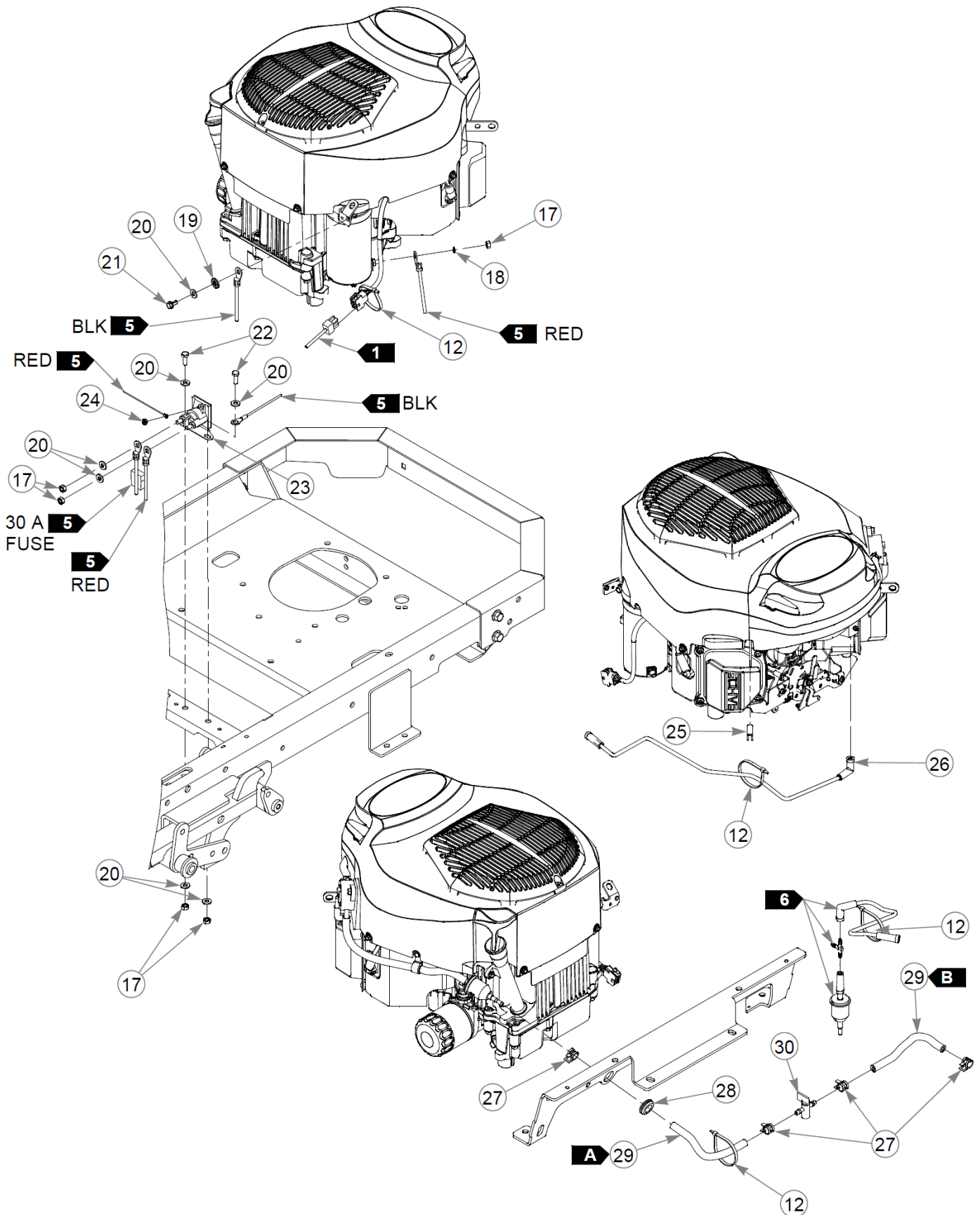
| Item | Part No. | Qty | Name |
|------|----------|-----|-------------------------|
| 1 | 600692 | 1 | TIR 20X8.00-10 B4R GRMR |
| 2 | 600718 | 1 | WHL 10X7.00 4X4.0 SLV |
| 3 | 019521 | 1 | TIRE VALVE TR-412 GOODY |



| Item | Part No. | Qty | Name |
|------|----------|-----|--------------------------|
| 1 | 600684 | 1 | TIR 20X10.00-10 B4R GRMR |
| 2 | 600700 | 1 | WHL 10X7.00 4X4.0 SLV |
| 3 | 019521 | 1 | TIRE VALVE TR-412 GOODY |



This page intentionally left blank



| Item | Part No. | Qty | Name |
|-----------|----------|-----|--------------------------|
| 1 | | 1 | ENGINE, KOH KT740 |
| Not Shown | | 1 | ENGINE, KOH KT740 HDAC |
| 2 | 605317 | 1 | HOSE, OIL DRAIN |
| 3 | 605793 | 1 | MUFFLER |
| 4 | 605814 | 4 | SC0.375-16X1.250FLG |
| 5 | 025395 | 2 | CB .375-16X 1.00 G5 ZN |
| 6 | 121402 | 1 | CLUTCH ANCHOR |
| 7 | 767954 | 2 | FW 0.379X.82X.06 HD ZN |
| 8 | 054502 | 2 | NT .375-16HXG5 |
| 9 | 605574 | 1 | PULLEY, ENG 4.094OP |
| 10 | 712372 | 1 | KEY 1/4 SQ X 0.66 LG(FS) |
| 11 | 605595 | 1 | BUSHING, CLUTCH |
| 12 | 000331 | 6 | WIRE TIE, SMALL/SHORT |
| 13 | 605576K | 1 | CLUTCH KIT, 605576 |
| 14 | 602680 | 1 | FW .453X1.12X.12 HRD ZN |
| 15 | 601834 | 1 | CS .437-20X3.25 HXG5 P85 |
| 16 | 791251 | 1 | HARNESS, CLUTCH PIGTAIL |

Comments for Part Num. 791251

Pigtail was updated with epoxy to hold the wires steady. The wire sheath was also updated to a more flexible material.

| | | | |
|----|--------|-----|---------------------------|
| 17 | 024927 | 5 | NT .250-20HXG5 |
| 18 | 017038 | 1 | LW .250 MED SPRING ZN |
| 19 | 029868 | 1 | LW .250 INTEXT ZN |
| 20 | 768515 | 7 | FW 0.281SAE |
| 21 | 603617 | 1 | CS .250-20X.50 HX FL STP |
| 22 | 055939 | 2 | CS .250-20X0.75 HX G5 ZN |
| 23 | 030817 | 1 | STARTER SOLENOID |
| 24 | 044255 | 1 | NT #10-32HXG5 |
| 25 | 604966 | 1 | TRIM LOCK, 1.13" |
| 26 | 605947 | 1 | VAPOR LINE, TEE TO ENGINE |
| 27 | 000323 | 4 | CLIP, HOSE CLAMP |
| 28 | 601400 | 1 | GM .63 x1.13 x.88 x .13 |
| 29 | 015818 | 15" | FUEL LINE, 1/4" |

Comments for Part Num. 015818

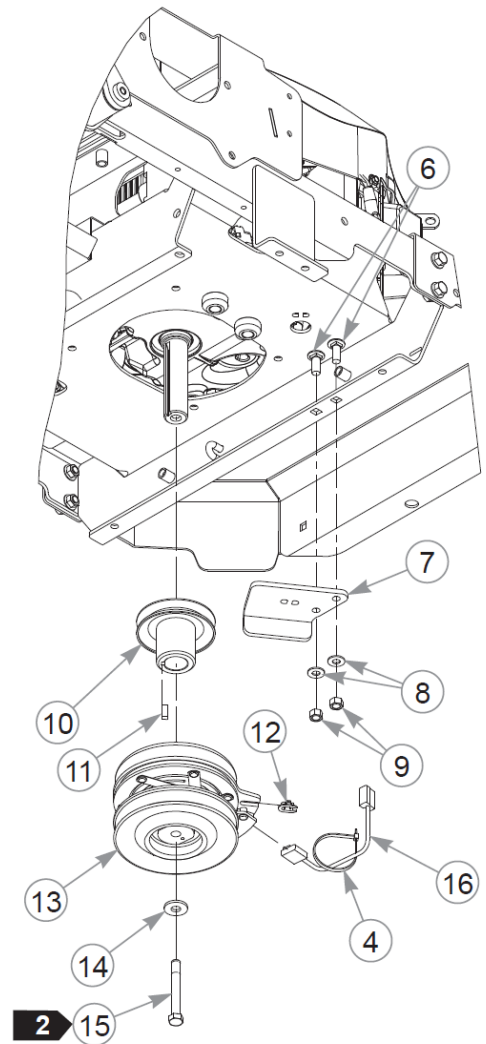
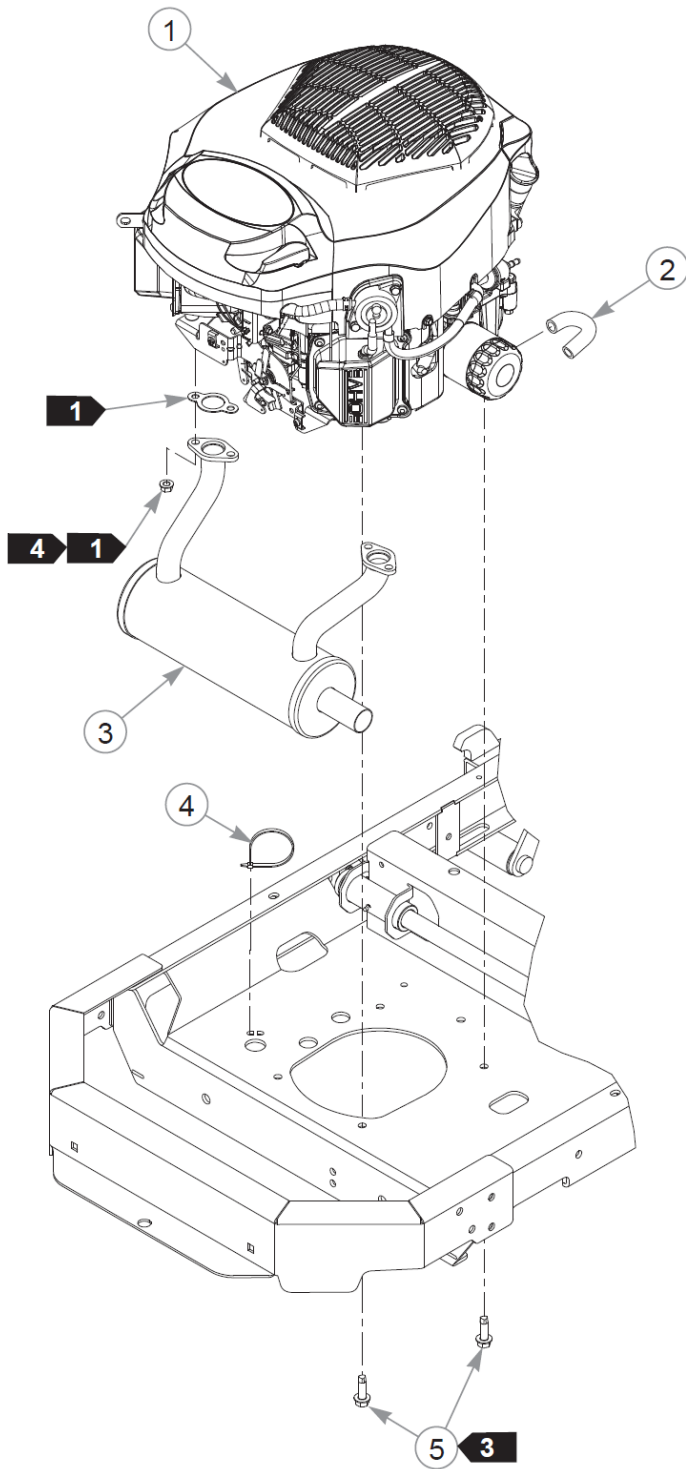
Sold by the foot.

This page intentionally left blank

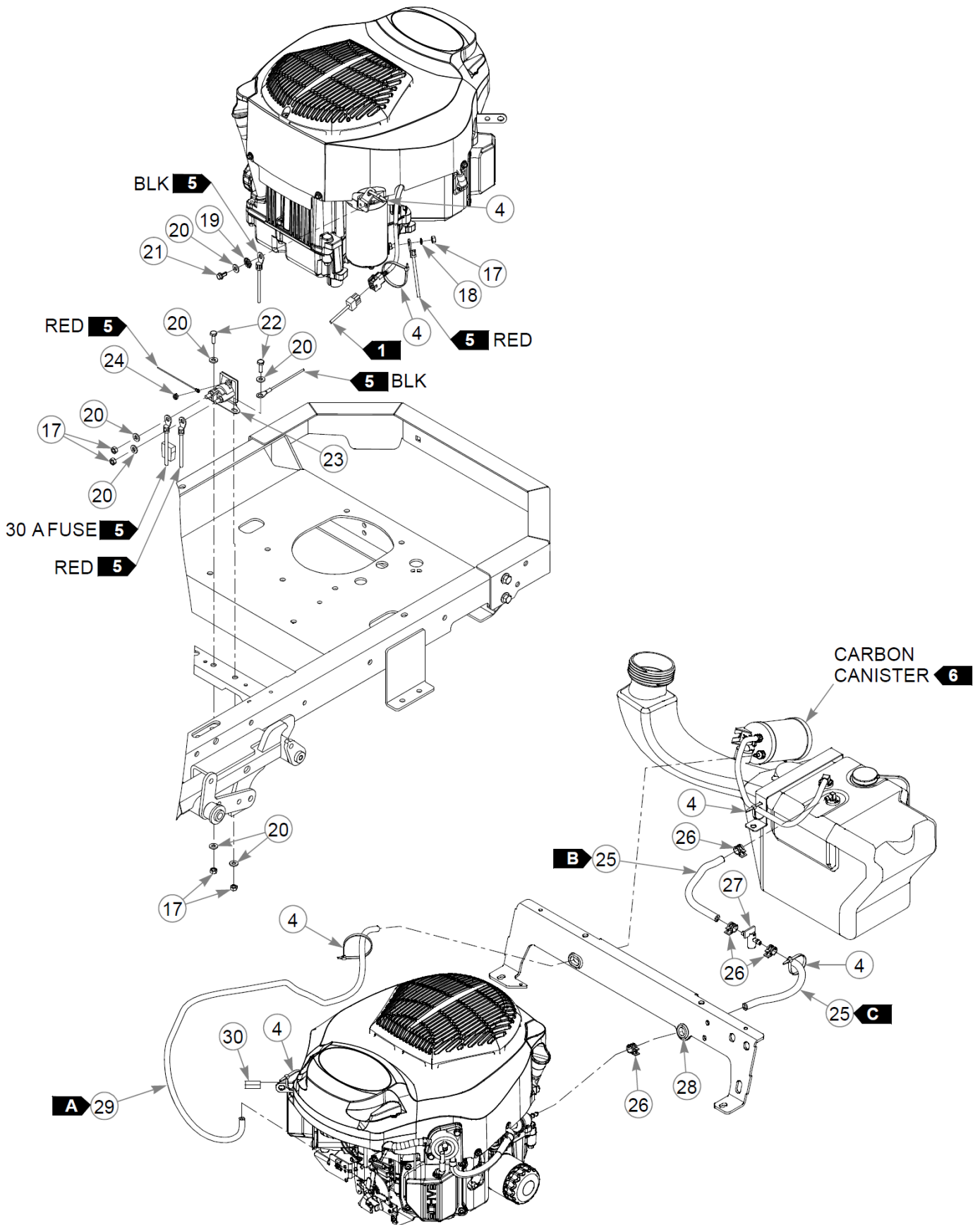
| Item | Part No. | Qty | Name |
|------|----------|-----|---------------------|
| 30 | 605601 | 1 | FUEL SHUT-OFF VALVE |

Comments for Page: Engine - Without Carbon Canister (Muti-Page)

1. Supplied with the engine.2. Torque to 45–48 ft-lbs. Use only hand tools to install this fastener.3. Torque to 30 ft-lbs. Use only hand tools to install these fasteners.4. Torque to 22 ft-lbs.5. Part of the wire harness.6. Part of the fuel system.FUEL LINE LENGTHSA: 8.5" fuel line from the fuel valve to the engineB: 6.5" fuel line from the tank to the fuel valve



This page intentionally left blank



| Item | Part No. | Qty | Name |
|--|----------|-------|--------------------------|
| 1 | | 1 | ENGINE, KOH KT740 |
| 2 | 605317 | 1 | HOSE, OIL DRAIN |
| 3 | 605793 | 1 | MUFFLER |
| 4 | 000331 | 8 | WIRE TIE, SMALL/SHORT |
| 5 | 605814 | 4 | SC0.375-16X1.250FLG |
| 6 | 025395 | 2 | CB .375-16X 1.00 G5 ZN |
| 7 | 121402 | 1 | CLUTCH ANCHOR |
| 8 | 767954 | 2 | FW 0.379X.82X.06 HD ZN |
| 9 | 054502 | 2 | NT .375-16HXG5 |
| 10 | 605574 | 1 | PULLEY, ENG 4.094OP |
| 11 | 712372 | 1 | KEY 1/4 SQ X 0.66 LG(FS) |
| 12 | 605595 | 1 | BUSHING, CLUTCH |
| 13 | 605576K | 1 | CLUTCH KIT, 605576 |
| 14 | 602680 | 1 | FW .453X1.12X.12 HRD ZN |
| 15 | 601834 | 1 | CS .437-20X3.25 HXG5 P85 |
| 16 | 791251 | 1 | HARNES, CLUTCH PIGTAIL |
| <p>Comments for Part Num. 791251</p> <p>Pigtail was updated with epoxy to hold the wires steady. The wire sheath was also updated to a more flexible material.</p> | | | |
| 17 | 024927 | 5 | NT .250-20HXG5 |
| 18 | 017038 | 1 | LW .250 MED SPRING ZN |
| 19 | 029868 | 1 | LW .250 INTEXT ZN |
| 20 | 768515 | 7 | FW 0.281SAE |
| 21 | 603617 | 1 | CS .250-20X.50 HX FL STP |
| 22 | 055939 | 2 | CS .250-20X0.75 HX G5 ZN |
| 23 | 030817 | 1 | STARTER SOLENOID |
| 24 | 044255 | 1 | NT #10-32HXG5 |
| 25 | 015818 | 15" | FUEL LINE, 1/4" |
| <p>Comments for Part Num. 015818</p> <p>Sold by the foot.</p> | | | |
| 26 | 000323 | 4 | CLIP, HOSE CLAMP |
| 27 | 605601 | 1 | FUEL SHUT-OFF VALVE |
| 28 | 601400 | 1 | GM .63 x1.13 x.88 x .13 |
| 29 | 603326 | 42.5" | VAPOR LINE, 3/16" |

This page intentionally left blank

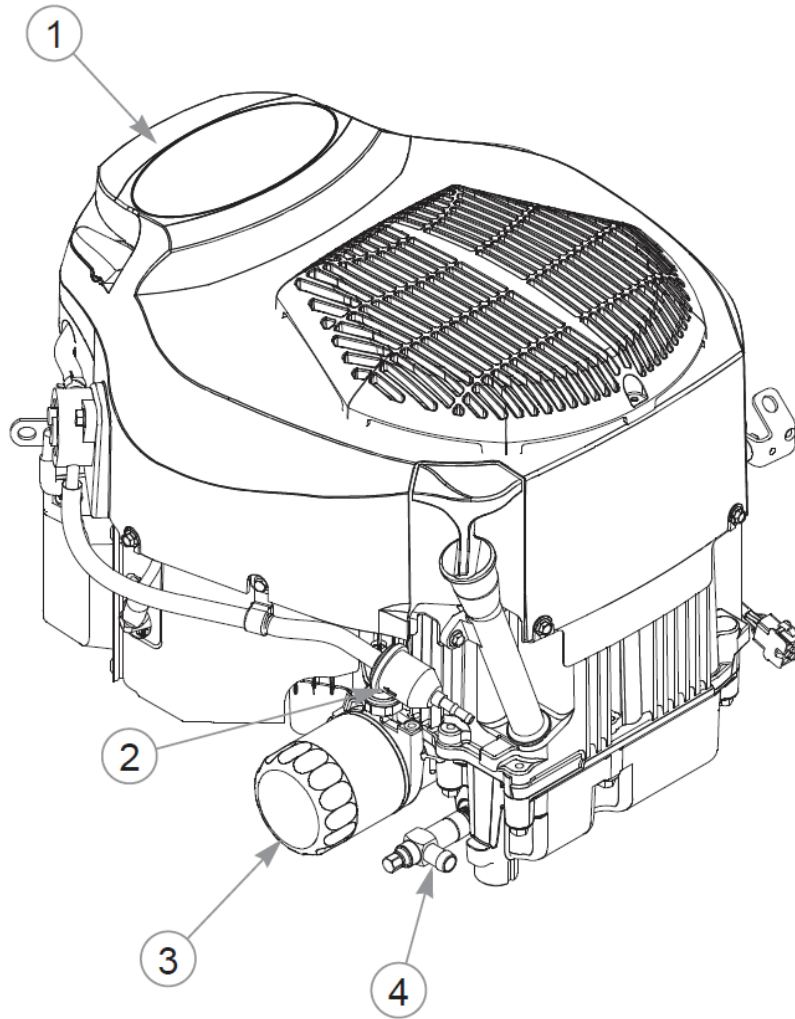
| Item | Part No. | Qty | Name |
|-------------------------------|----------|-----|------------------|
| Comments for Part Num. 603326 | | | |
| Sold by the foot. | | | |
| 30 | 604966 | 1 | TRIM LOCK, 1.13" |

Comments for Page: Engine - With Carbon Canister (Multi-Page)

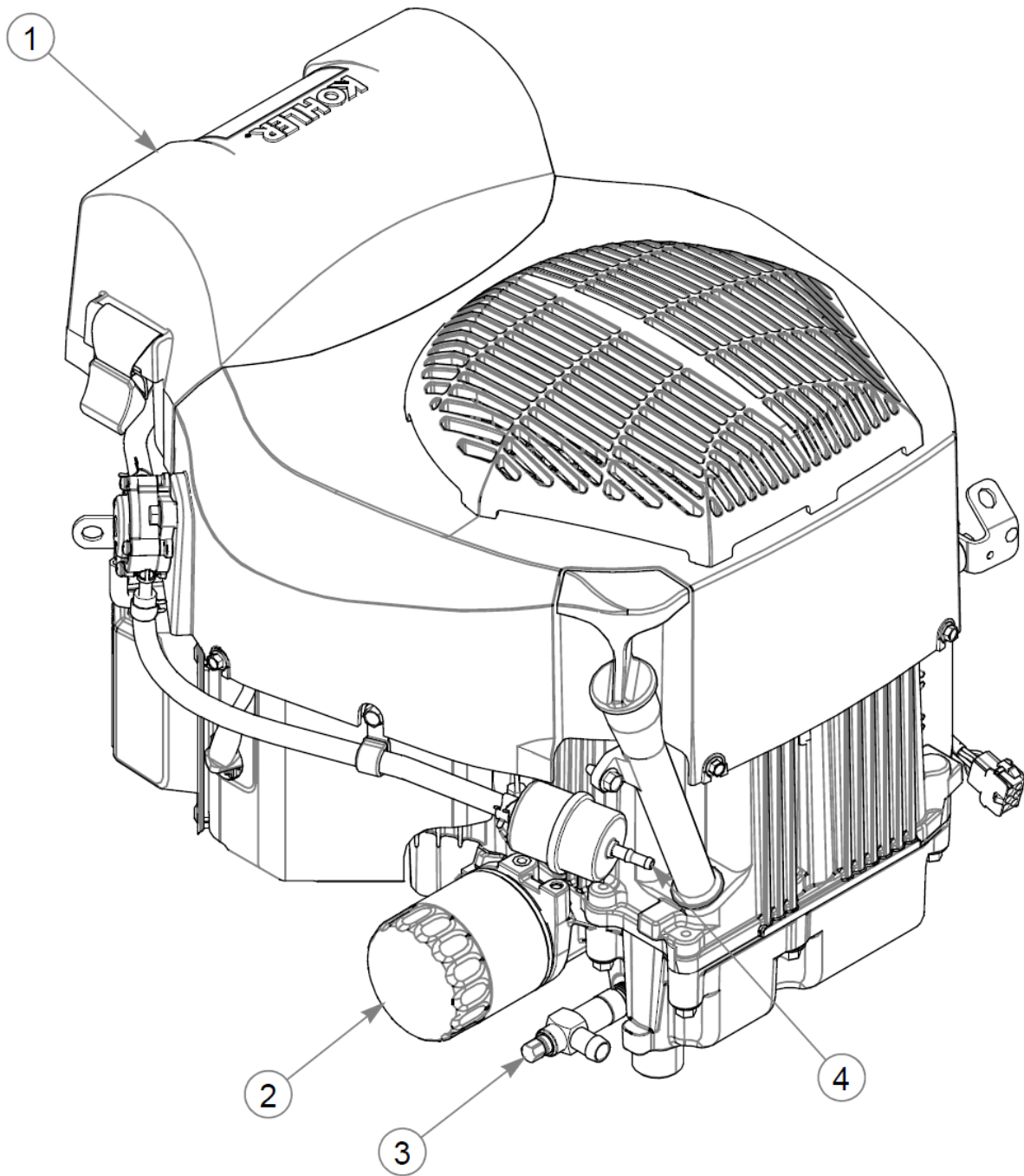
1. Supplied with the engine.
2. Torque to 45–48 ft-lbs. Replace (do not reuse) the cap screw if it is removed or loosened. Use only hand tools to install this fastener.
3. Torque to 30 ft-lbs. Use only hand tools to install these fasteners.
4. Torque to 22 ft-lbs.
5. Part of the wire harness.
6. Part of the fuel system.

FUEL & VAPOR LINE LENGTHS

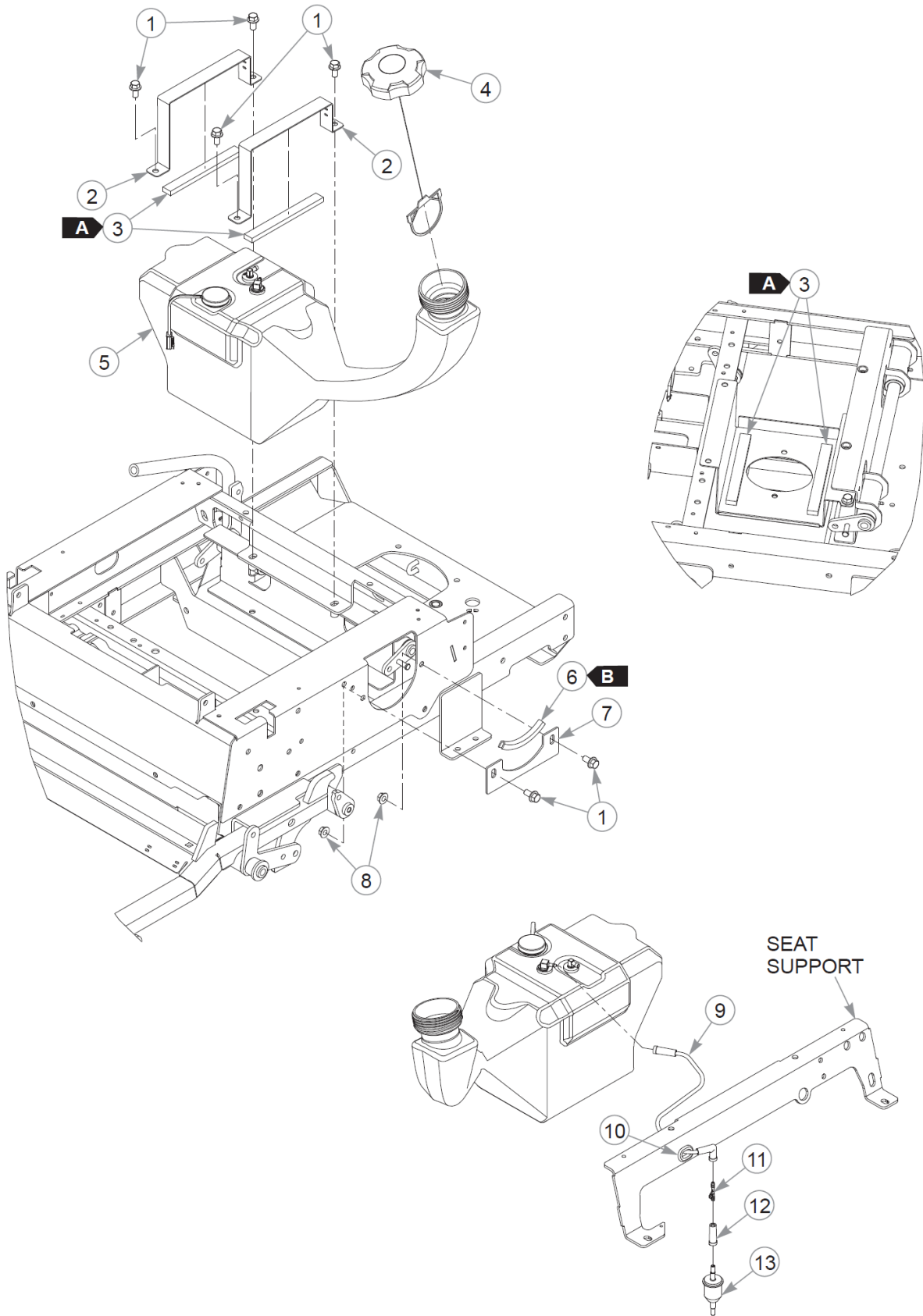
- A: 42.5" vapor line from the carbon canister to the engine
- B: 6.5" fuel line from the fuel valve to the tank
- C: 8.5" fuel line from the fuel valve to the engine



| Item | Part No. | Qty | Name |
|------|----------|-----|-------------------------|
| 1 | 605990 | 1 | AIR FILTER - MAIN |
| 2 | 068478 | 1 | FUEL FILTER - IN LINE |
| 3 | 606095 | 1 | ENGINE OIL FILTER |
| 4 | 606020 | 1 | VALVE, OIL DRAIN 3/8-18 |



| Item | Part No. | Qty | Name |
|------|----------|-----|-------------------------|
| 1 | 606475 | 1 | AIR FILTER - MAIN |
| 2 | 606095 | 1 | ENGINE OIL FILTER |
| 3 | 606020 | 1 | VALVE, OIL DRAIN 3/8-18 |
| 4 | 068478 | 1 | FUEL FILTER - IN LINE |



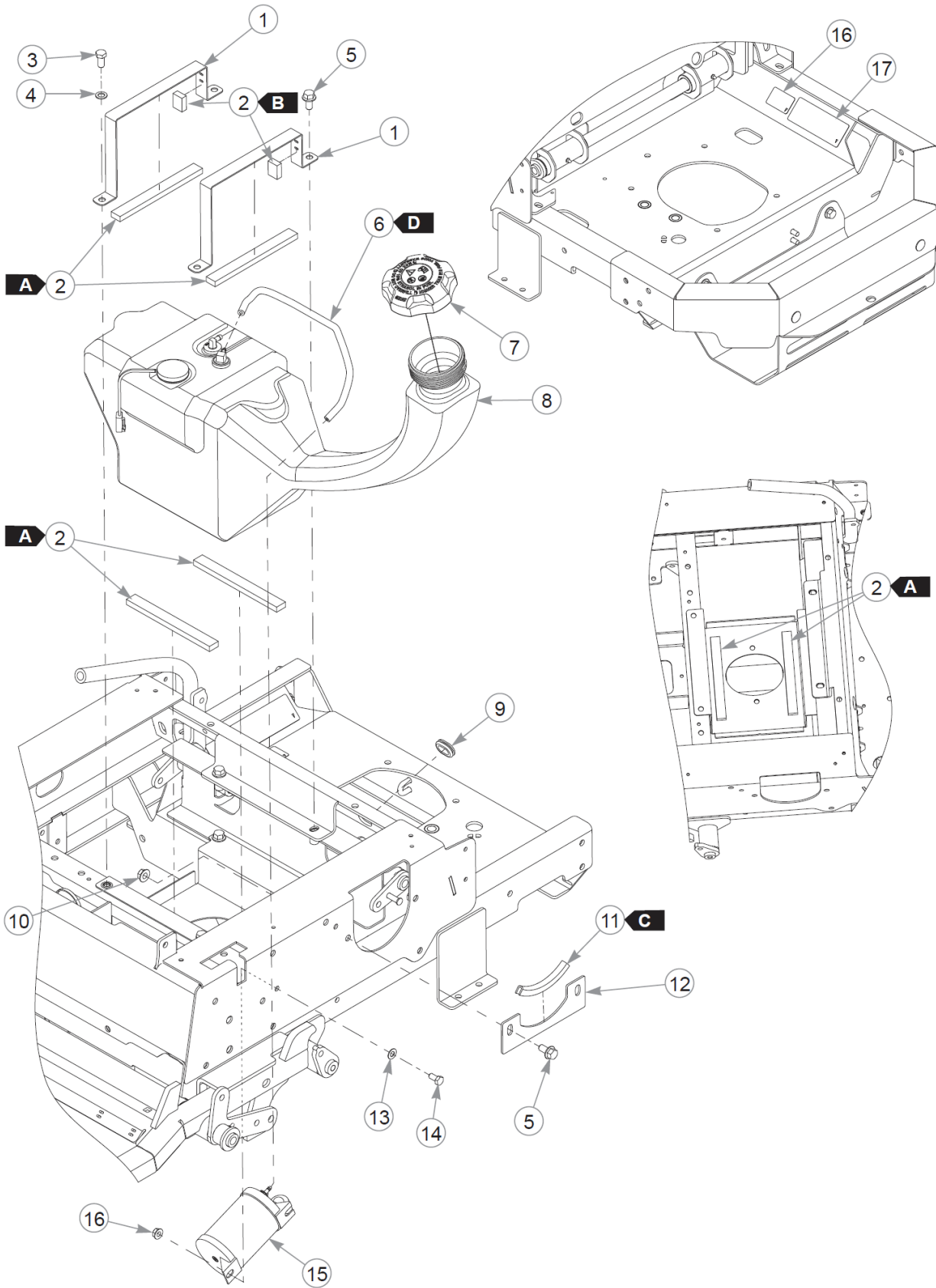
| Item | Part No. | Qty | Name |
|------|----------|-----|--------------------------|
| 1 | 029629 | 6 | CS .375-16X0.75 HXF G5ZN |
| 2 | 118878 | 2 | FUEL TANK STRAP |
| 3 | 713198 | 28" | SEAL 3/8x3/4 SOLD BY FT |
| 4 | 603807 | 1 | CAP, 3.5" RATCHETING GAS |
| 5 | 606525 | 1 | FUEL TANK, |
| 6 | 033001 | 4" | FLEXIBLE TRIM UNI-GRIP |
| 7 | 121234 | 1 | FUEL NECK DOUBLER |
| 8 | 016899 | 2 | NT .375-16 FLKG5 |
| 9 | 605610 | 1 | VAPOR LINE, 3/16 FORMED |
| 10 | 047456 | 1 | GM .750X.188X1.00X.12 |
| 11 | 605690 | 1 | TEE, 3/16" PLASTIC |
| 12 | 605564 | 1 | BOOT, 3/16 TO 3/16 |
| 13 | 604323 | 1 | VAPOR SYSTEM FILTER |

Comments for Page: Fuel System - Without Carbon Canister

WEATHERSTRIP & TRIM LENGTHS:

A: 7"

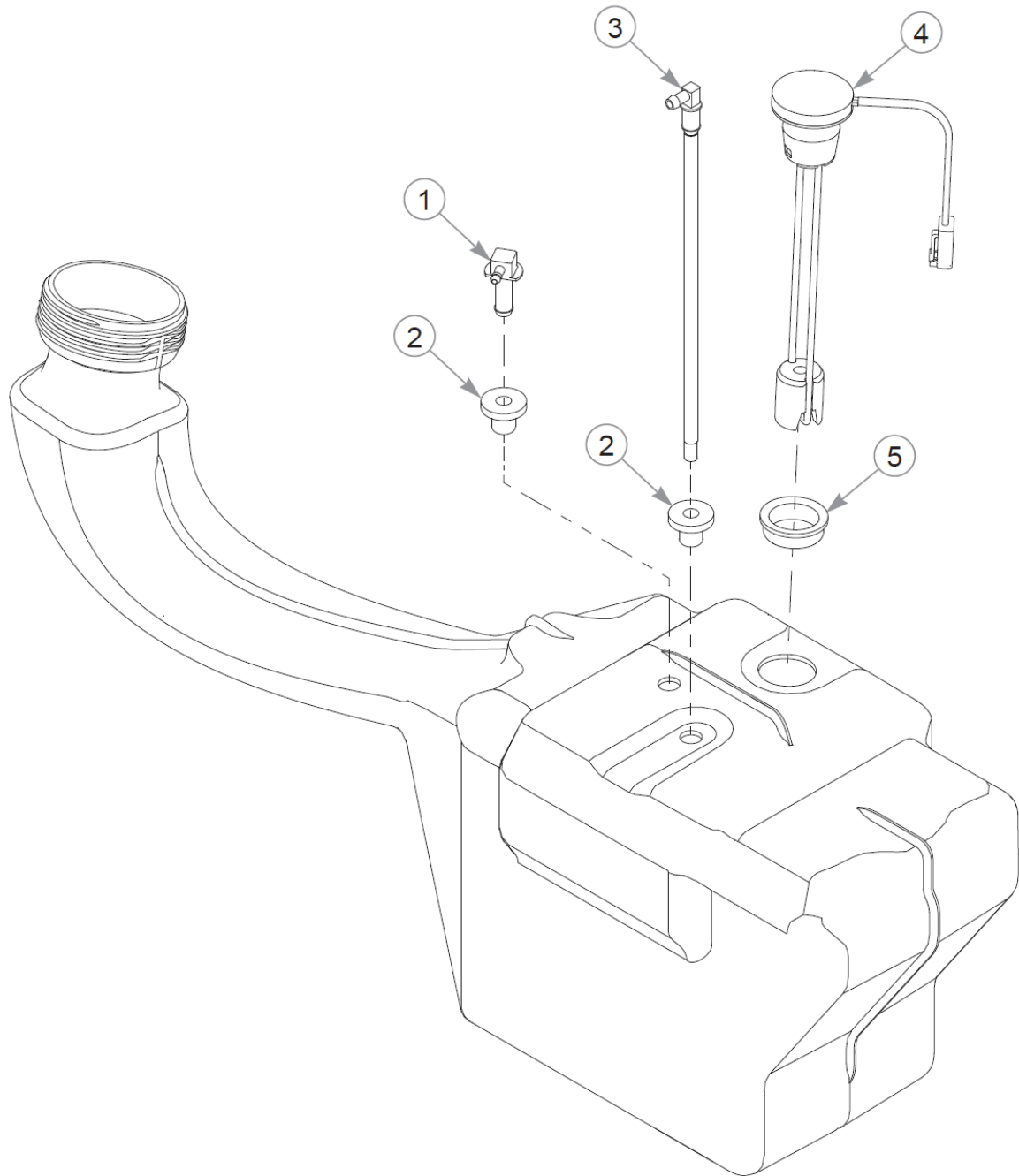
B: 4"



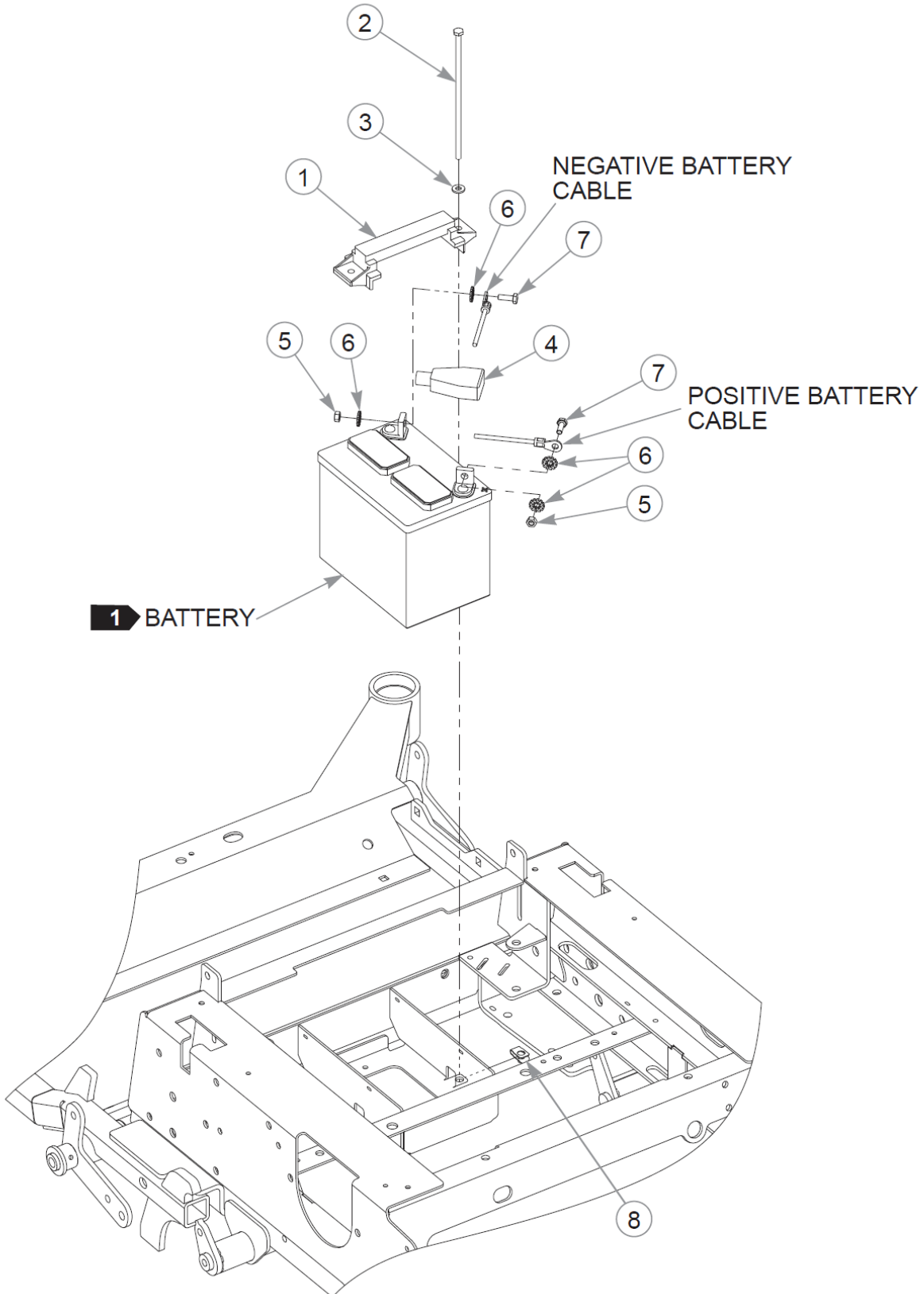
| Item | Part No. | Qty | Name |
|-------------------------------|----------|--------|--------------------------|
| 1 | 124128-1 | 2 | FUEL TANK STRAP |
| 2 | 713198 | 30" | SEAL 3/8x3/4 SOLD BY FT |
| 3 | 055822 | 2 | CS .375-16X0.75 HX G5 ZN |
| 4 | 704718 | 2 | FW .406X .688X.060 ZN |
| 5 | 029629 | 4 | CS .375-16X0.75 HXF G5ZN |
| 6 | 603326 | 17.75" | VAPOR LINE, 3/16" |
| Comments for Part Num. 603326 | | | |
| Sold by the foot. | | | |
| 7 | 603807 | 1 | CAP, 3.5" RATCHETING GAS |
| 8 | 606525 | 1 | FUEL TANK, |
| 9 | 047456 | 1 | GM .750X.188X1.00X.12 |
| 10 | 016899 | 2 | NT .375-16 FLKG5 |
| 11 | 033001 | 4" | FLEXIBLE TRIM UNI-GRIP |
| 12 | 121234 | 1 | FUEL NECK DOUBLER |
| 13 | 604252 | 2 | FW .340X.68X.04 ZN |
| 14 | 064006 | 2 | CS .312-18X0.625HXG5 |
| 15 | 605609 | 1 | CARBON CANISTER |
| 16 | 016832 | 2 | NT .312-18FLKG5 |
| 17 | 603363 | 1 | DECAL, ANSI COMPLIANCE |
| 18 | 601908 | 1 | DECAL, SPARK ARRESTOR |

Comments for Page: Fuel System - With Carbon Canister

SEAL/TRIM LENGTHSA: 7.0"B: 1"C: 4.0"VAPOR LINE LENGTHD: 17.75"



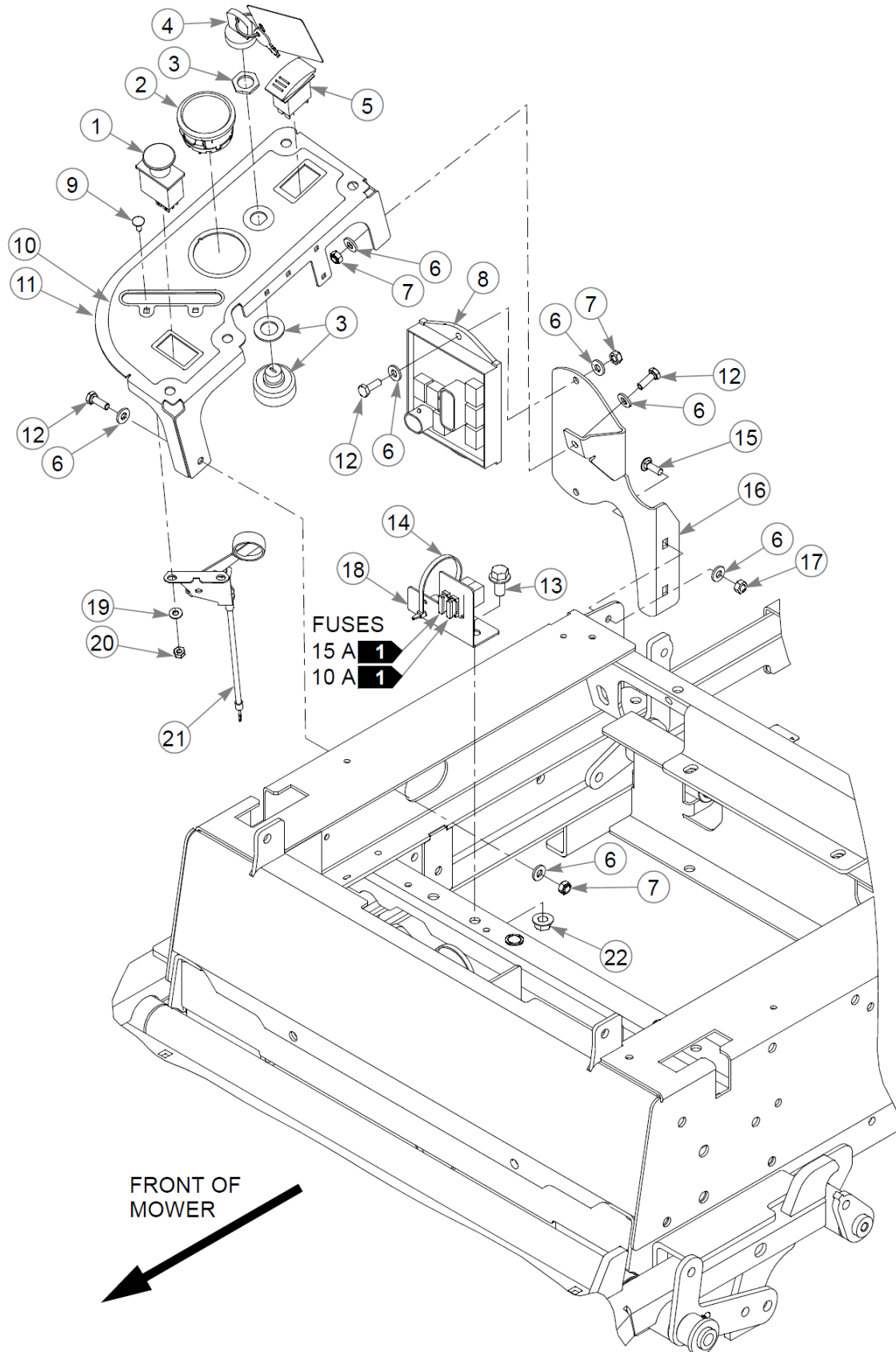
| Item | Part No. | Qty | Name |
|------|----------|-----|-----------------------|
| 1 | 604287K | 1 | VENT FITTING SVC KIT |
| 2 | 604200K | 2 | GROMMET SVC KIT |
| 3 | 605530K | 1 | SVC KIT, SUCTION HOSE |
| 4 | 605531K | 1 | FUEL SENDER SVC KIT |
| 5 | 605648K | 1 | TANK GROMMET SVC KIT |



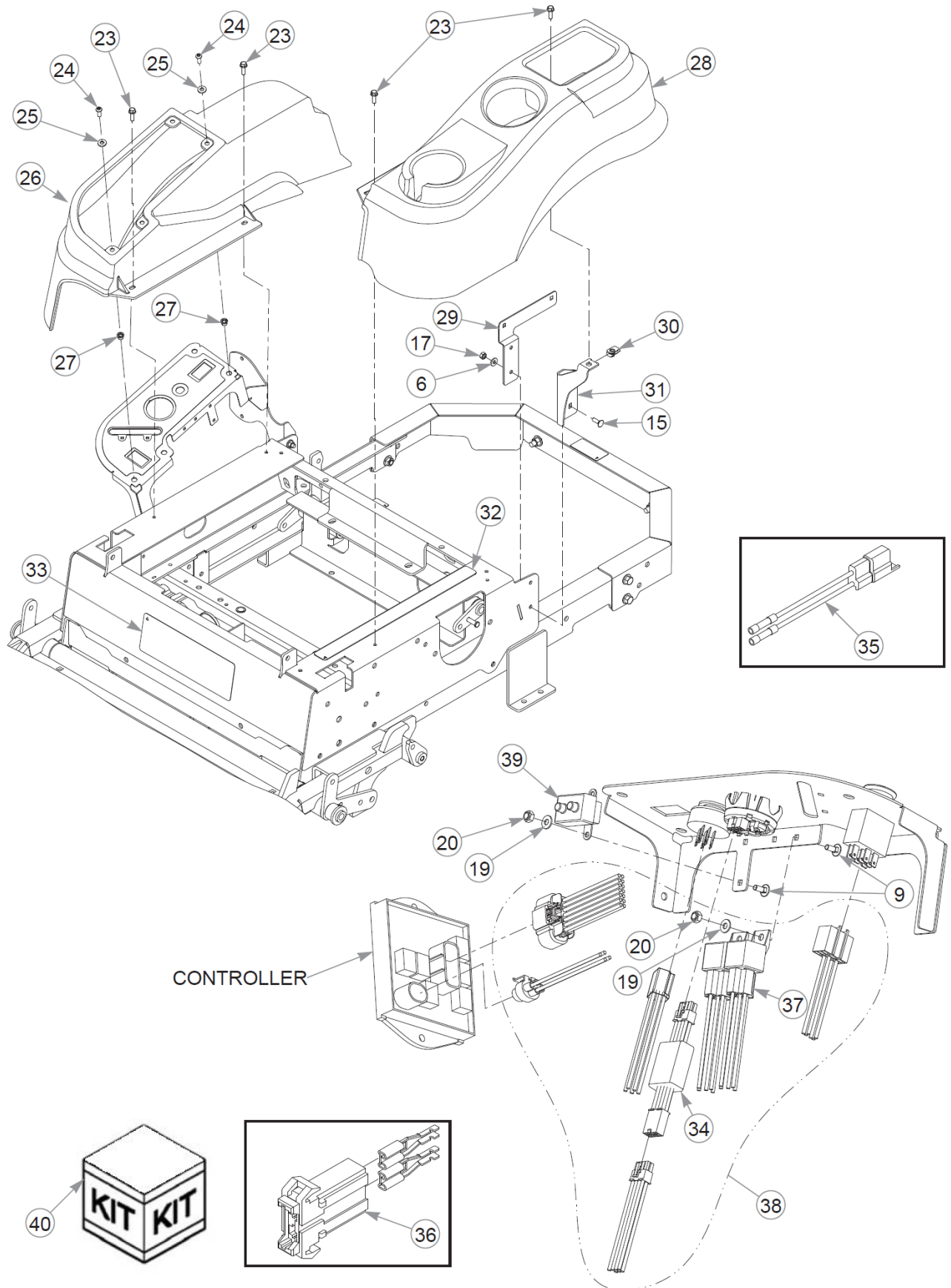
| Item | Part No. | Qty | Name |
|------|----------|-----|--------------------------|
| 1 | 604178 | 1 | STRAP, TIE DOWN |
| 2 | 604465 | 2 | CS .250-20X7.50 HX G5 ZN |
| 3 | 768515 | 2 | FW 0.281SAE |
| 4 | 771428 | 1 | BATTERY CBL BOOT-RED(FS) |
| 5 | 024927 | 2 | NT .250-20HXG5 |
| 6 | 029868 | 4 | LW .250 INTEXT ZN |
| 7 | 055939 | 2 | CS .250-20X0.75 HX G5 ZN |
| 8 | 601982 | 2 | CN .250-20X .150 MAX THK |
| 9 | 000331 | 2 | WIRE TIE, SMALL/SHORT |

Comments for Page: Battery

1. When performing service on the mower, disconnect the negative battery cable and do not reconnect it to the battery until ready to start the engine.



This page intentionally left blank



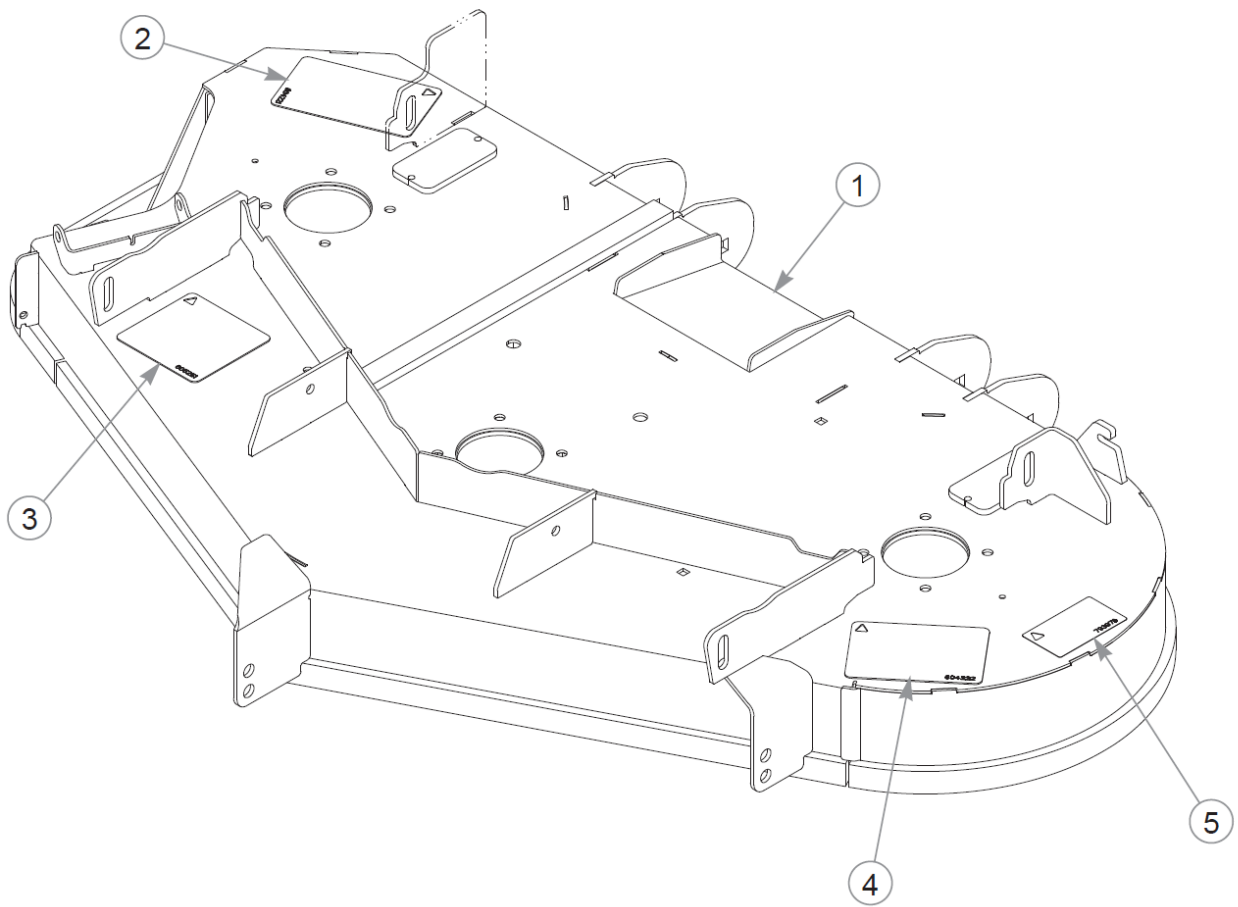
| Item | Part No. | Qty | Name |
|------|----------|-----|--------------------------|
| 1 | 776476 | 1 | SWITCH, PTO 6201-321 |
| 2 | 605483 | 1 | GAUGE, FUEL/HOURMETER |
| 3 | 045898 | 1 | IGNITION SWITCH |
| 4 | 785808 | 1 | KEY ASSEMBLY |
| 5 | 797308 | 1 | SWITCH, ROCKER SPDT |
| 6 | 768515 | 12 | FW 0.281SAE |
| 7 | 068551 | 4 | NT .250-20 HXZY NL |
| 8 | 605553 | 1 | CONTROLLER |
| 9 | 601098 | 6 | CB 10-24 X .500 ZYNC |
| 10 | 605644 | 1 | DECAL |
| 11 | 552925 | 1 | SVC, INSTRUMENT PANEL |
| 12 | 055939 | 4 | CS .250-20X0.75 HX G5 ZN |
| 13 | 029629 | 2 | CS .375-16X0.75 HXF G5ZN |
| 14 | 000331 | 2 | WIRE TIE, SMALL/SHORT |
| 15 | 794784 | 4 | CB .250-20 X .75 FUL ZN |
| 16 | 120673 | 1 | FENDER BRACKET, RH |
| 17 | 024927 | 4 | NT .250-20HXG5 |
| 18 | 121258 | 1 | FUSE BRKT |
| 19 | 704932 | 6 | FW 0.219X.50X.05 ZN |
| 20 | 059832 | 6 | NT #10-24 HX NL ZN |
| 21 | 601096 | 1 | CABLE, THROTTLE |
| 22 | 016899 | 2 | NT .375-16 FLKG5 |
| 23 | 604324 | 5 | CS .250-20 X .75 HX FLG |
| 24 | 605473 | 4 | CS .250-20X0.75 BH TX BZ |
| 25 | 605628 | 4 | FW 0.281X.63X.07 ZB |
| 26 | 605525 | 1 | RH FENDER |
| 27 | 808477 | 4 | RIVET NUT, 1/4-20 THREA |
| 28 | 605526 | 1 | LH FENDER |
| 29 | 120785 | 1 | RESERVOIR MOUNT |
| 30 | 601982 | 1 | CN .250-20X .150 MAX THK |
| 31 | 120674 | 1 | FENDER BRACKET, LH |
| 32 | 601981 | 1 | DECAL, SAFE OPERATE-GRAY |
| 33 | 605681 | 1 | DECAL, KICK PAN RFU |
| 34 | 605554 | 1 | WIRE HARNESS ADAPTER |
| 35 | 114052 | 1 | KIT, CLUTCH CONN. REP. |
| 36 | 601047 | 1 | HOLDER, FUSE |

This page intentionally left blank

| Item | Part No. | Qty | Name |
|------|----------|-----|-------------------------|
| 37 | 601053 | 2 | RELAY, SEALED W/BRACKET |
| 38 | 605917 | 1 | WIRE HARNESS, KOHLER |
| 39 | 797282 | 1 | BREAKER, 15AMP |
| 40 | 608044 | 1 | FUEL GAUGE & SENDER KIT |

Comments for Page: Instrument Panel, Wire Harness & Fenders (Multi-Page)

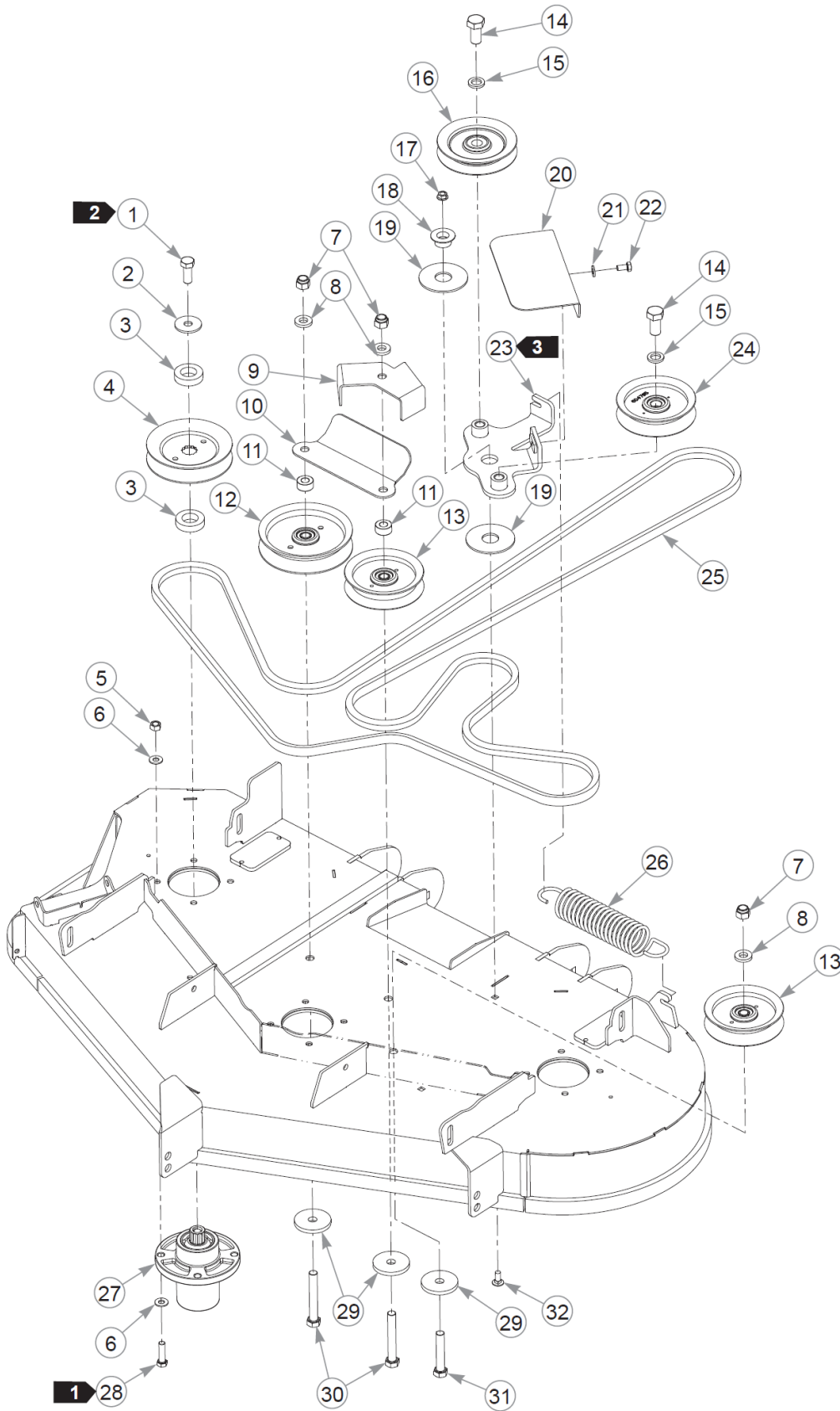
1. Part of the wire harness.
2. The instrument panel includes the decal.
3. The sealed relay includes a bracket.



| Item | Part No. | Qty | Name |
|------|----------|-----|-------------------------|
| 1 | 552595 | 1 | 48" SERVICE DECK |
| 2 | 604221 | 1 | DECAL, DANGER / CHUTE |
| 3 | 605251 | 1 | DECAL, BELT ROUTING |
| 4 | 604222 | 1 | DECAL, DANGER / OBJECTS |
| 5 | 793976 | 1 | DECAL,48"DECK ID |

Comments for Page: 48" Service Deck

1. The deck includes decals.



| Item | Part No. | Qty | Name |
|------|----------|-----|--------------------------|
| 1 | 705954 | 3 | CS .500-13X1.25 HX G5 ZN |
| 2 | 798603 | 3 | FW .515X1.65X.12 HD ZN |
| 3 | 604661 | 6 | SPACER, SPINDLE PULLEY |
| 4 | 604665 | 3 | PULLEY, DECK DRIVE B-SEC |
| 5 | 054502 | 12 | NT .375-16HXG5 |
| 6 | 767954 | 24 | FW 0.379X.82X.06 HD ZN |
| 7 | 781567 | 3 | NT .500-13NLG5 |
| 8 | 767962 | 3 | FW .531 x 1.063 x .175 |
| 9 | 122745 | 1 | BELT GUIDE KIT |
| 10 | 120005 | 1 | BELT GUIDE, DUAL |
| 11 | 605285 | 2 | SPACER, BELT GUIDE |
| 12 | 126124 | 1 | SVC KIT 604231 PULLEY |
| 13 | 126123 | 2 | SVC KIT 604219 PULLEY |
| 14 | 781872 | 2 | CS .625-11X1.250HXG5 |
| 15 | 028118 | 2 | FW 0.625X1.00X.13 ZN |
| 16 | 603785 | 1 | IDLER, V 4.9" OD |
| 17 | 016832 | 1 | NT .312-18FLKG5 |
| 18 | 605238 | 1 | PIVOT BUSHING |
| 19 | 605505 | 2 | BEARING DISC, UHMW |
| 20 | 121120 | 1 | SHIELD, PIVOT IDLER 48" |
| 21 | 768523 | 1 | FW 0.343SAE |
| 22 | 064006 | 1 | CS .312-18X0.625HXG5 |
| 23 | 120006 | 1 | IDLER ARM DUAL PIVOT W/A |
| 24 | 604795 | 1 | PULLEY, IDLER FLAT 4.00" |
| 25 | 602078 | 1 | DECK BELT |
| 26 | 605497 | 1 | SPRING, DECK IDLER |
| 27 | 607418 | 3 | BLADE SPINDLE ASSY |
| 28 | 005116 | 12 | CS .375-16X1.38 HX G5 ZN |
| 29 | 605516 | 3 | FW .531 x 2.25 x .25 ZN |
| 30 | 061812 | 2 | CS .500-13X3.50 HX G5 ZN |
| 31 | 721910 | 1 | CS .500-13X2.750HXG5 |
| 32 | 016253 | 1 | CB .312-18X .750 FUL ZN |

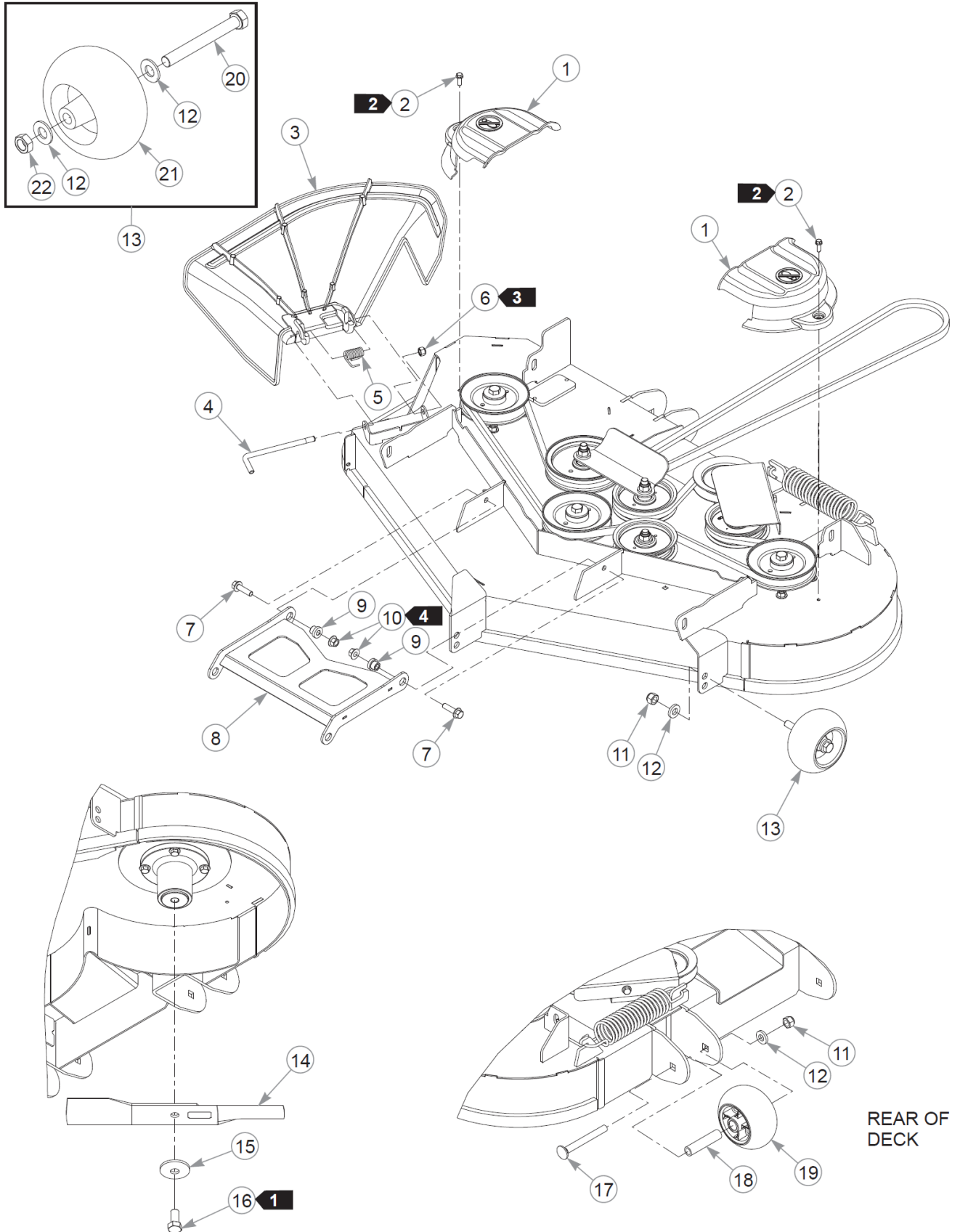
Comments for Page: 48" Deck Belt, Deck Pulleys & Spindles

1. Torque to 30 ft-lbs.

48" Deck Belt, Deck Pulleys & Spindles

2. Torque to 73 ft-lbs.
3. Make sure the idler arm pivots freely.

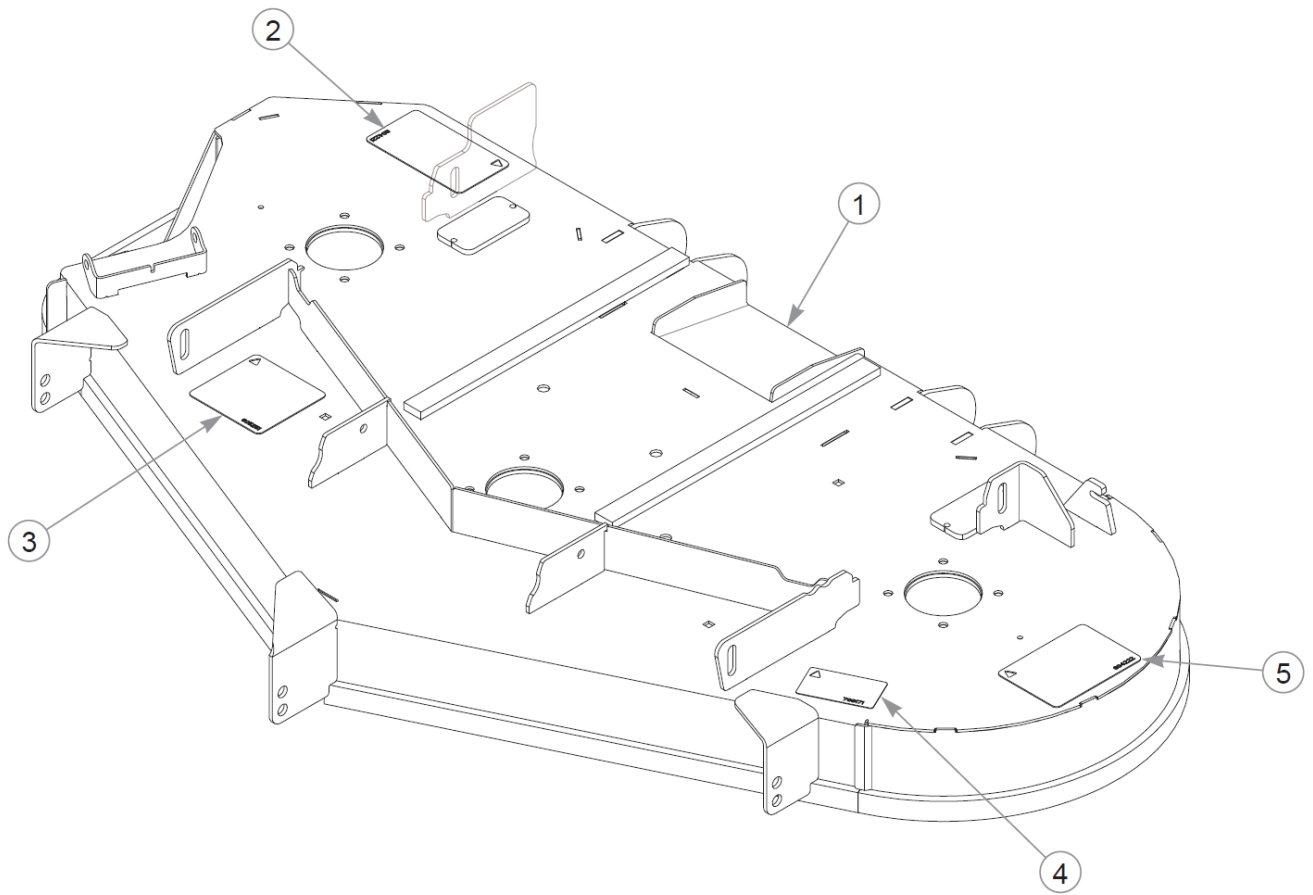
This page intentionally left blank



| Item | Part No. | Qty | Name |
|-----------|----------|-----|--------------------------|
| 1 | 605453 | 2 | PULLEY COVER, 48" DECKS |
| 2 | 604324 | 2 | CS .250-20 X .75 HX FLG |
| 3 | 604609 | 1 | DISCHARGE CHUTE |
| 4 | 604346 | 1 | PIN, DISCHARGE CHUTE |
| 5 | 604331 | 1 | CHUTE SPRING |
| 6 | 086660 | 1 | NT .375-16NLG8 |
| 7 | 605532 | 2 | CS .375-16X1.38 HXFG5ZN |
| 8 | 121446 | 1 | PULLER W/A |
| 9 | 605659 | 2 | PIVOT SPACER BUSHING |
| 10 | 604515 | 2 | NT .375-16 FL NY GF |
| 11 | 781567 | 4 | NT .500-13NLG5 |
| 12 | 767962 | 6 | FW .531 x 1.063 x .175 |
| 13 | 788166 | 2 | WHEEL ASSY, ANTI SCALP |
| 14 | 601123 | 3 | BLADE, 16.50"-L-F-CW |
| Not Shown | 601014 | 3 | BLADE, F16.50"-L-F-CW |
| Not Shown | 795757 | 3 | BLADE, F16.50"-H-F-CW |
| Not Shown | 796623 | 3 | BLADE, 16.50"-MUL-F-CW |
| Not Shown | 796631 | 3 | BLADE, 16.50"-GAT-F-CW |
| Not Shown | 796649 | 3 | BLADE, 16.50"-CAT-F-CW |
| 15 | 782474 | 3 | CW .678 X 2.250 X .187 |
| 16 | 781872 | 3 | CS .625-11X1.250HXG5 |
| 17 | 602339 | 2 | CB .50-13 X 4.50 STD ZN |
| 18 | 602345 | 2 | SPACER, ANTI-SCALP 3.22 |
| 19 | 602263 | 2 | WHEEL, ANTI-SCALP |
| 20 | 781708 | 1 | CS .500-13X4.25 HX G5 ZN |
| 21 | 031997 | 1 | ANTI-SCALP WHEEL |
| 22 | 053199 | 1 | NT .500-13JAMG5 |

Comments for Page: 48" Deck Discharge Chute, Pulley Covers & Blades

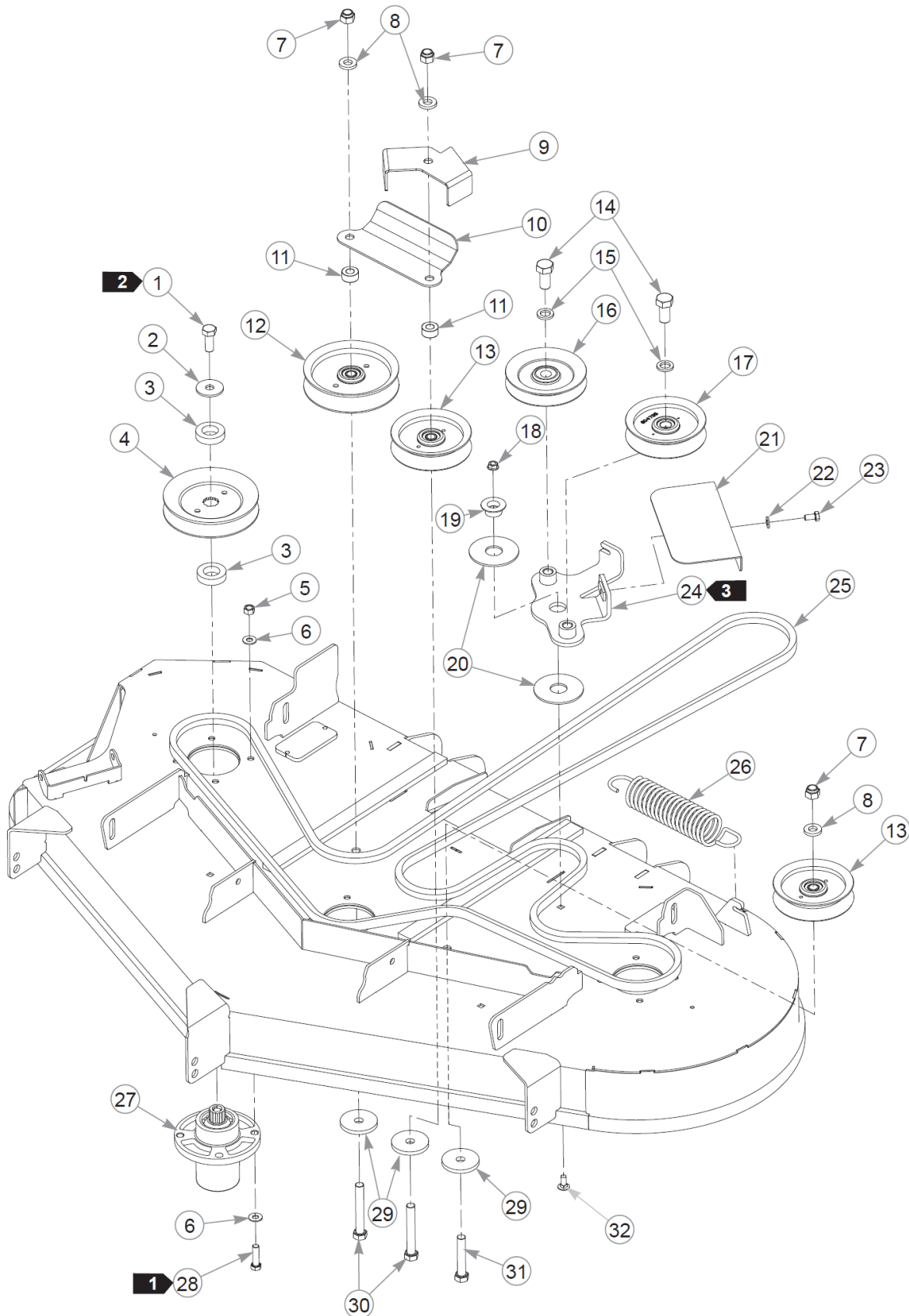
1. Torque to 118 ft-lbs.
2. Torque to 2–5 ft-lbs. on these self-tapping screws.
3. Do not torque; the discharge chute must pivot freely.
4. Do not torque; the puller must pivot freely.



| Item | Part No. | Qty | Name |
|------|----------|-----|-------------------------|
| 1 | 552596 | 1 | 54" SERVICE DECK |
| 2 | 604221 | 1 | DECAL, DANGER / CHUTE |
| 3 | 605251 | 1 | DECAL, BELT ROUTING |
| 4 | 799171 | 1 | DECAL, 54" DECK ID |
| 5 | 604222 | 1 | DECAL, DANGER / OBJECTS |

Comments for Page: 54" Service Deck

1. The deck includes decals.



| Item | Part No. | Qty | Name |
|------|----------|-----|--------------------------|
| 1 | 705954 | 3 | CS .500-13X1.25 HX G5 ZN |
| 2 | 798603 | 3 | FW .515X1.65X.12 HD ZN |
| 3 | 604661 | 6 | SPACER, SPINDLE PULLEY |
| 4 | 604664 | 3 | PULLEY, DECK DRIVE B-SEC |
| 5 | 054502 | 12 | NT .375-16HXG5 |
| 6 | 767954 | 24 | FW 0.379X.82X.06 HD ZN |
| 7 | 781567 | 3 | NT .500-13NLG5 |
| 8 | 767962 | 3 | FW .531 x 1.063 x .175 |
| 9 | 122745 | 1 | BELT GUIDE KIT |
| 10 | 120005 | 1 | BELT GUIDE, DUAL |
| 11 | 605285 | 2 | SPACER, BELT GUIDE |
| 12 | 126124 | 1 | SVC KIT 604231 PULLEY |
| 13 | 126123 | 2 | SVC KIT 604219 PULLEY |
| 14 | 781872 | 2 | CS .625-11X1.250HXG5 |
| 15 | 028118 | 2 | FW 0.625X1.00X.13 ZN |
| 16 | 603785 | 1 | IDLER, V 4.9" OD |
| 17 | 604795 | 1 | PULLEY, IDLER FLAT 4.00" |
| 18 | 016832 | 1 | NT .312-18FLKG5 |
| 19 | 605238 | 1 | PIVOT BUSHING |
| 20 | 605505 | 2 | BEARING DISC, UHMW |
| 21 | 121120 | 1 | SHIELD, PIVOT IDLER 48" |
| 22 | 768523 | 1 | FW 0.343SAE |
| 23 | 064006 | 1 | CS .312-18X0.625HXG5 |
| 24 | 120006 | 1 | IDLER ARM DUAL PIVOT W/A |
| 25 | 797720 | 1 | DECK BELT |
| 26 | 605497 | 1 | SPRING, DECK IDLER |
| 27 | 607418 | 3 | BLADE SPINDLE ASSY |
| 28 | 005116 | 12 | CS .375-16X1.38 HX G5 ZN |
| 29 | 605516 | 3 | FW .531 x 2.25 x .25 ZN |
| 30 | 061812 | 2 | CS .500-13X3.50 HX G5 ZN |
| 31 | 721910 | 1 | CS .500-13X2.750HXG5 |
| 32 | 016253 | 1 | CB .312-18X .750 FUL ZN |

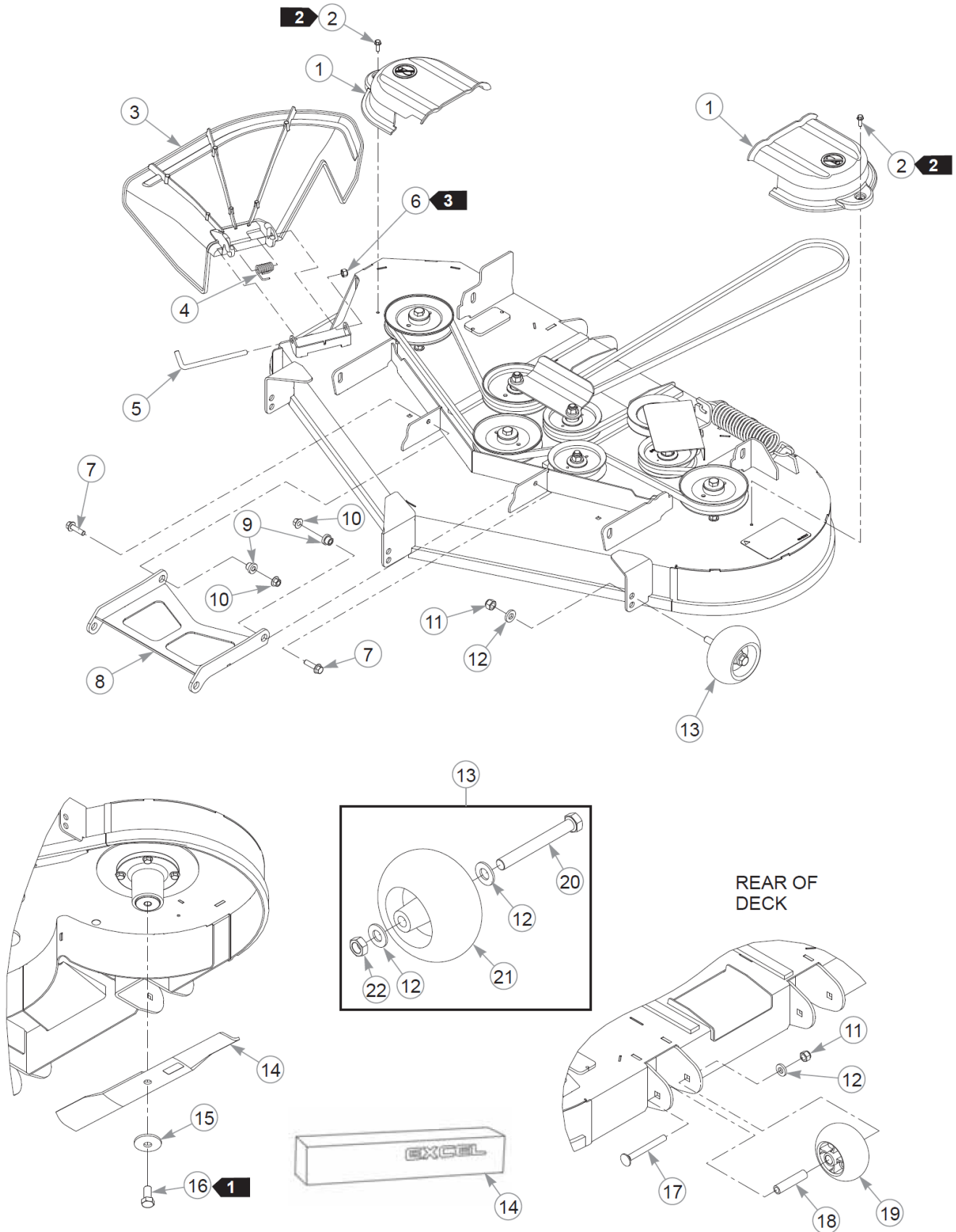
Comments for Page: 54" Deck Belt, Deck Pulleys & Spindles

1. Torque to 30 ft-lbs.

54" Deck Belt, Deck Pulleys & Spindles

2. Torque to 73 ft-lbs.
3. Make sure the idler arm pivots freely.

This page intentionally left blank



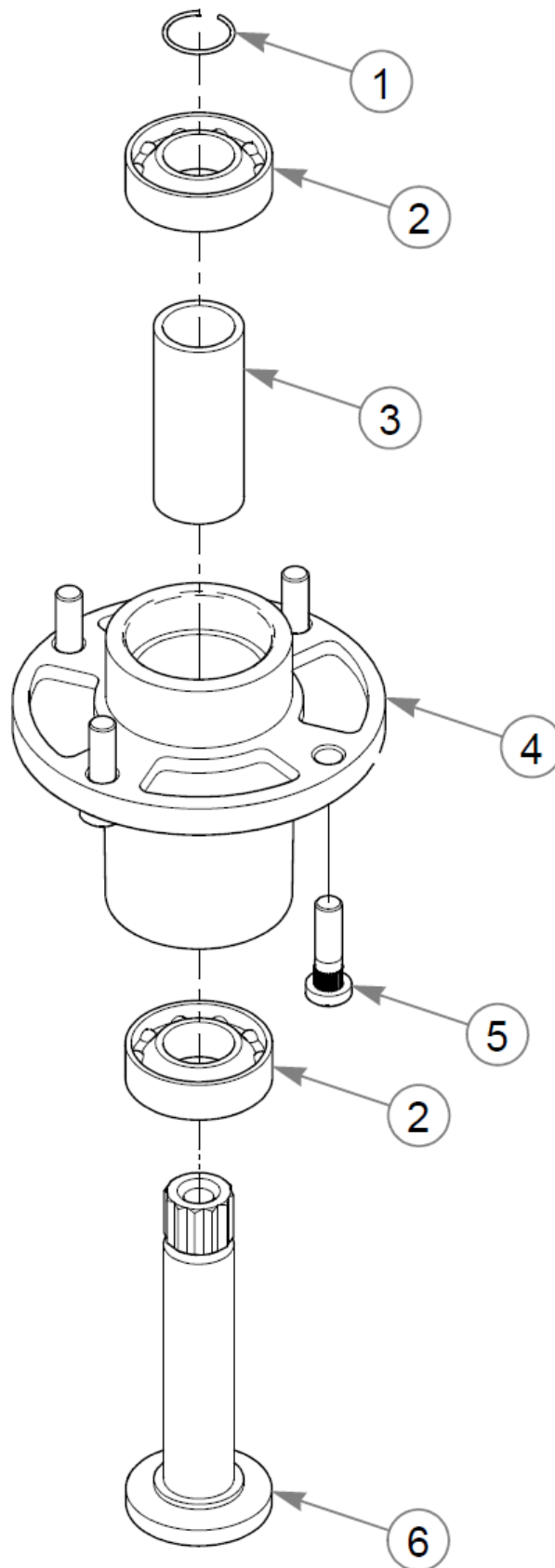
| Item | Part No. | Qty | Name |
|-----------|----------|-----|--------------------------|
| 1 | 605452 | 2 | PULLEY COVER |
| 2 | 604324 | 2 | CS .250-20 X .75 HX FLG |
| 3 | 604609 | 1 | DISCHARGE CHUTE |
| 4 | 604331 | 1 | CHUTE SPRING |
| 5 | 604346 | 1 | PIN, DISCHARGE CHUTE |
| 6 | 086660 | 1 | NT .375-16NLG8 |
| 7 | 605532 | 2 | CS .375-16X1.38 HXFG5ZN |
| 8 | 121446 | 1 | PULLER W/A |
| 9 | 605659 | 2 | PIVOT SPACER BUSHING |
| 10 | 604515 | 2 | NT .375-16 FL NY GF |
| 11 | 781567 | 5 | NT .500-13NLG5 |
| 12 | 767962 | 7 | FW .531 x 1.063 x .175 |
| 13 | 788166 | 3 | WHEEL ASSY, ANTI SCALP |
| 14 | 601124 | 3 | BLADE, 18.50"-L-F-CW |
| Not Shown | 601124X | 1 | 10PK BLADE, 18.50"-L-F-C |
| Not Shown | 601012 | 3 | BLADE F18.50"-L-F-CW |
| Not Shown | 601012X | 1 | 10PK BLADE, F18.50-L-F-C |
| Not Shown | 797696 | 3 | BLADE, F18.50"-H-F-CW |
| Not Shown | 797696X | 1 | 10PK BLADE, F18.50"-H-F- |
| Not Shown | 797704 | 3 | BLADE, 18.50"-MUL-F-CW |
| Not Shown | 797704X | 1 | 10PK BLADE, 18.50"-MUL-F |
| Not Shown | 797712 | 3 | BLADE, 18.50"-GAT-F-CW |
| Not Shown | 797712X | 1 | 10PK BLADE, 18.50"-GAT-F |
| 15 | 782474 | 3 | CW .678 X 2.250 X .187 |
| 16 | 781872 | 3 | CS .625-11X1.250HXG5 |
| 17 | 602339 | 2 | CB .50-13 X 4.50 STD ZN |
| 18 | 602345 | 2 | SPACER, ANTI-SCALP 3.22 |
| 19 | 602263 | 2 | WHEEL, ANTI-SCALP |
| 20 | 781708 | 1 | CS .500-13X4.25 HX G5 ZN |
| 21 | 031997 | 1 | ANTI-SCALP WHEEL |
| 22 | 053199 | 1 | NT .500-13JAMG5 |

Comments for Page: 54" Deck Discharge Chute, Pulley Covers & Blades

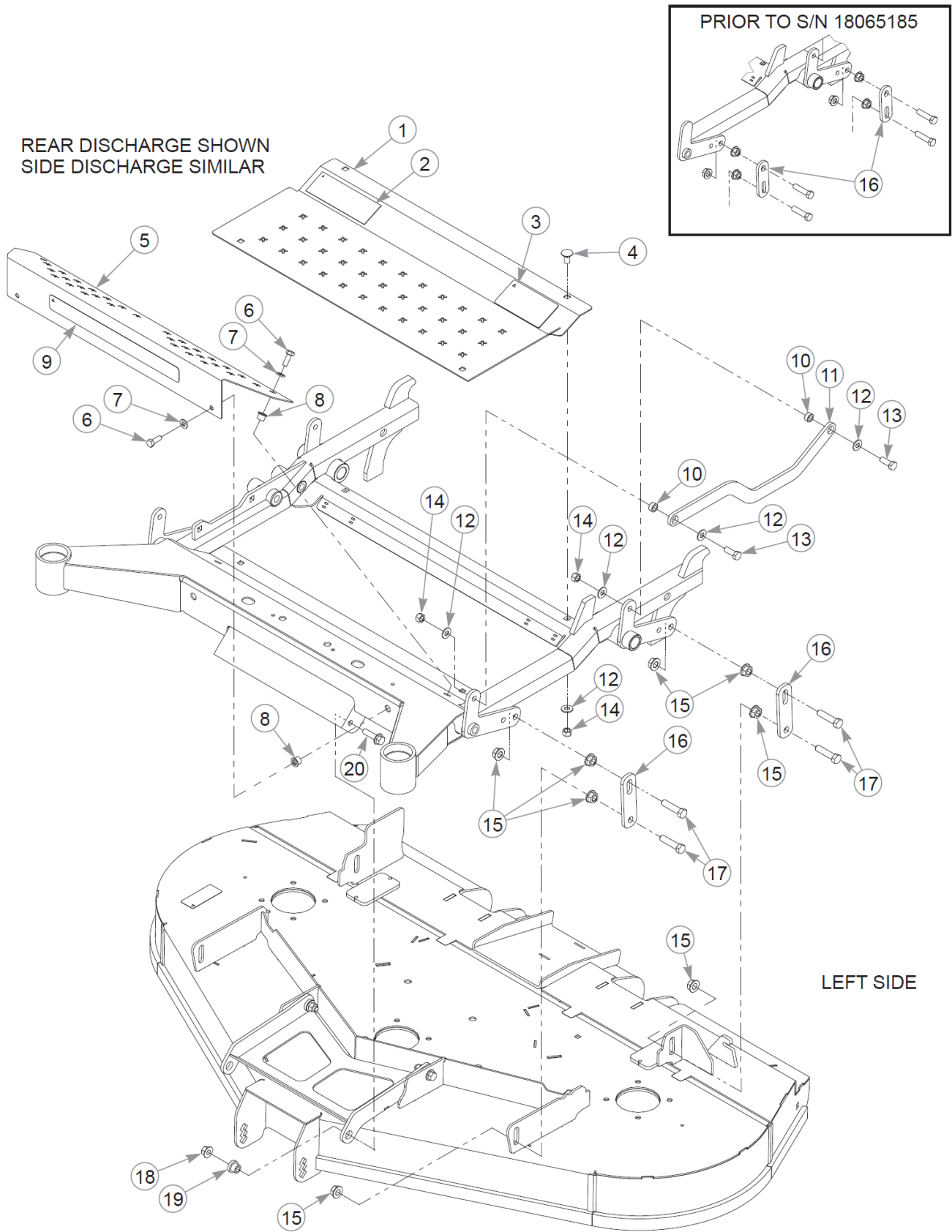
1. Torque to 118 ft-lbs.
2. Torque to 2–5 ft-lbs on these self-tapping screws.

3. Do not torque; the discharge chute must pivot freely.

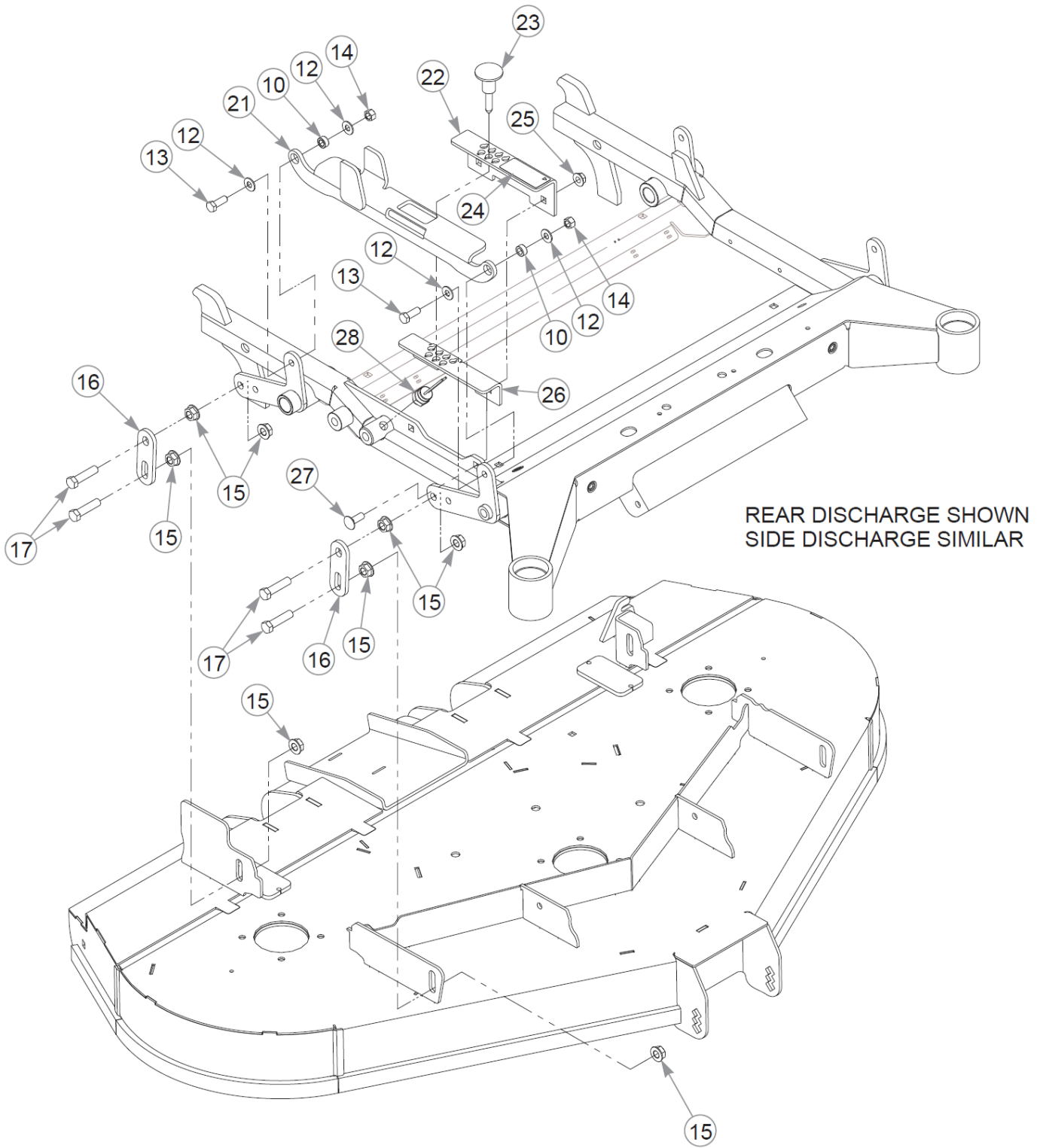
This page intentionally left blank



| Item | Part No. | Qty | Name |
|------|----------|-----|--------------------------|
| 1 | 783548 | 1 | RING, BLADE SPINDLE RET |
| 2 | 601827 | 2 | BEARING, 6205 2RST C3 |
| 3 | 601830 | 1 | SPACER, BLADE SPINDLE |
| 4 | 607419 | 1 | SVC, SPINDLE HOUSING |
| 5 | 607416 | 4 | AXEL BOLT 3/8-16 X 1.375 |
| 6 | 601829 | 1 | SHAFT, BLADE SPINDLE |



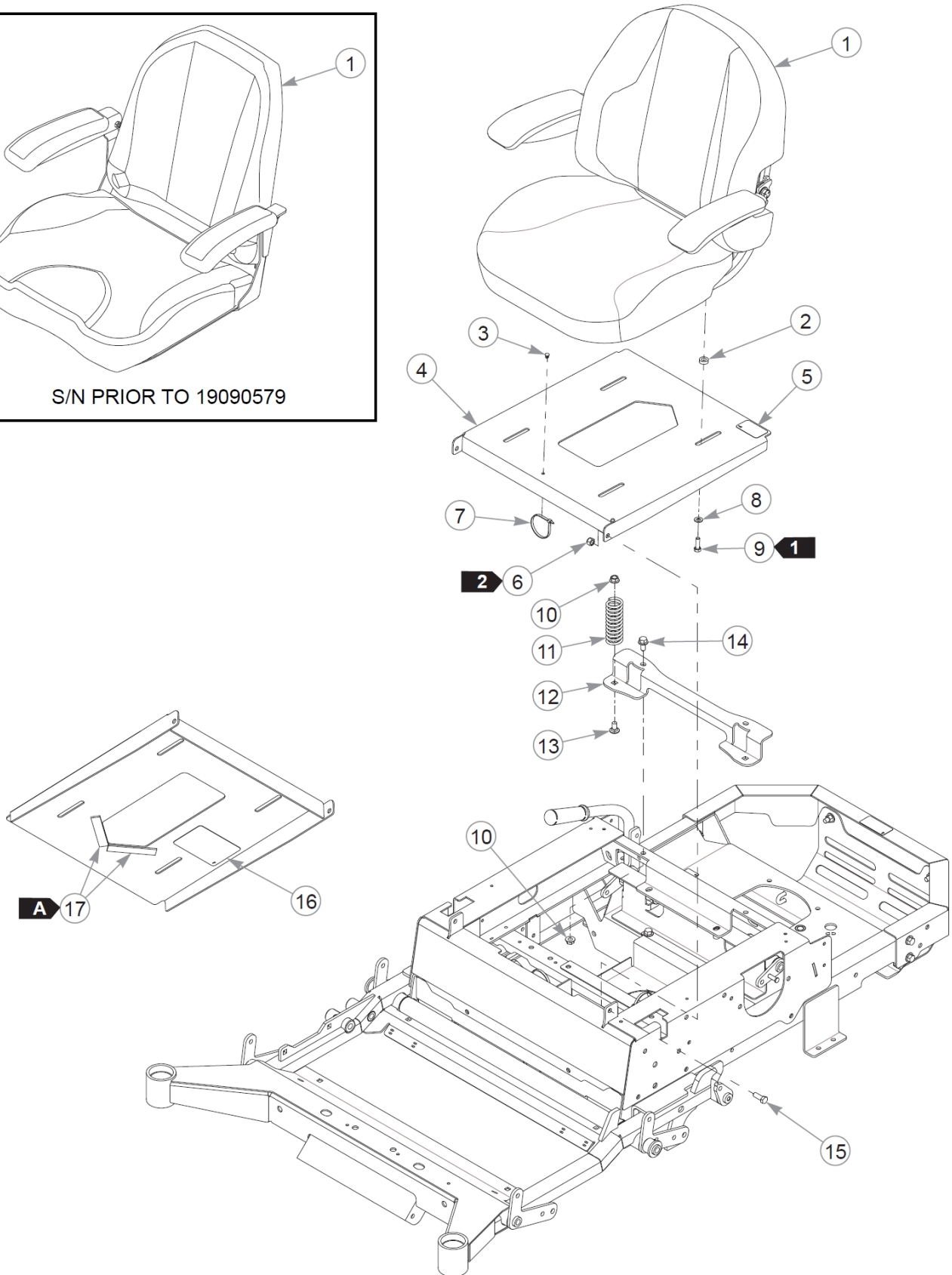
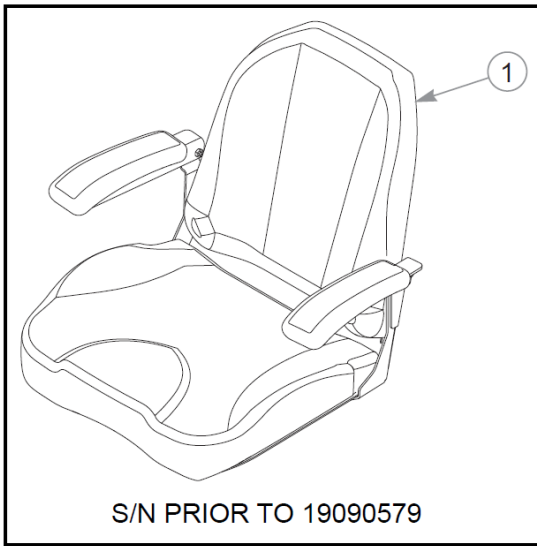
This page intentionally left blank



| Item | Part No. | Qty | Name |
|-----------|----------|-----|--------------------------|
| 1 | 553005 | 1 | SVC, FLOOR PAN RFU |
| 2 | 606128 | 1 | DECAL QUICKFLIP |
| 3 | 600899 | 1 | DECAL, PUMP BELT WARNING |
| 4 | 011320 | 4 | CB .375-16X .750 STD ZN |
| 5 | 552926 | 1 | SVC, FOOTREST RFU |
| 6 | 064014 | 4 | CS .312-18X0.875HXG5 |
| 7 | 768523 | 4 | FW 0.343SAE |
| 8 | 808485 | 4 | RIVET NUT, 5/16-18 THRE |
| 9 | 602407 | 1 | DECAL, HUSTLER ID |
| 10 | 118900 | 4 | SPACER, DECK LIFT LINK |
| 11 | 118896 | 1 | DECK LIFT LINK |
| 12 | 767954 | 12 | FW 0.379X.82X.06 HD ZN |
| 13 | 036244 | 4 | CS .375-16X1.00 HX G5 ZN |
| 14 | 054502 | 8 | NT .375-16HXG5 |
| 15 | 704643 | 16 | NT .437-14FLKG5 |
| 16 | 124354-1 | 4 | DECK LIFT LINK |
| Not Shown | 110880 | 4 | DECK LIFT LINK, |
| 17 | 055749 | 8 | CS .437-14X1.750HXG5 |
| 18 | 604515 | 2 | NT .375-16 FL NY GF |
| 19 | 605659 | 2 | PIVOT SPACER BUSHING |
| 20 | 605532 | 2 | CS .375-16X1.38 HXFG5ZN |
| 21 | 118893 | 1 | W/A, CUT HT. INDICATOR |
| 22 | 552927 | 1 | SVC, CUT HT, BRKT OUTER |
| 23 | 607039 | 1 | PIN, .375X1.62 MAGNETIC |
| 24 | 605685 | 1 | DECAL, DECK HEIGHT |
| 25 | 016899 | 2 | NT .375-16 FLKG5 |
| 26 | 118897 | 1 | CUT HT. BRKT INNER |
| 27 | 025395 | 2 | CB .375-16X 1.00 G5 ZN |
| 28 | 605239 | 1 | BALL SWITCH, N.O. |
| 29 | 000331 | 4 | WIRE TIE, SMALL/SHORT |

Comments for Page: Deck Carrier, Deck Height, Floorpan & Footrest (Multi-Page)

1. The floor pan, footrest and outer cutting height bracket include decals.
2. 124354-1 is used on mowers S/N 18065185 & higher. 110880 is used on mowers S/N prior to 18065185.



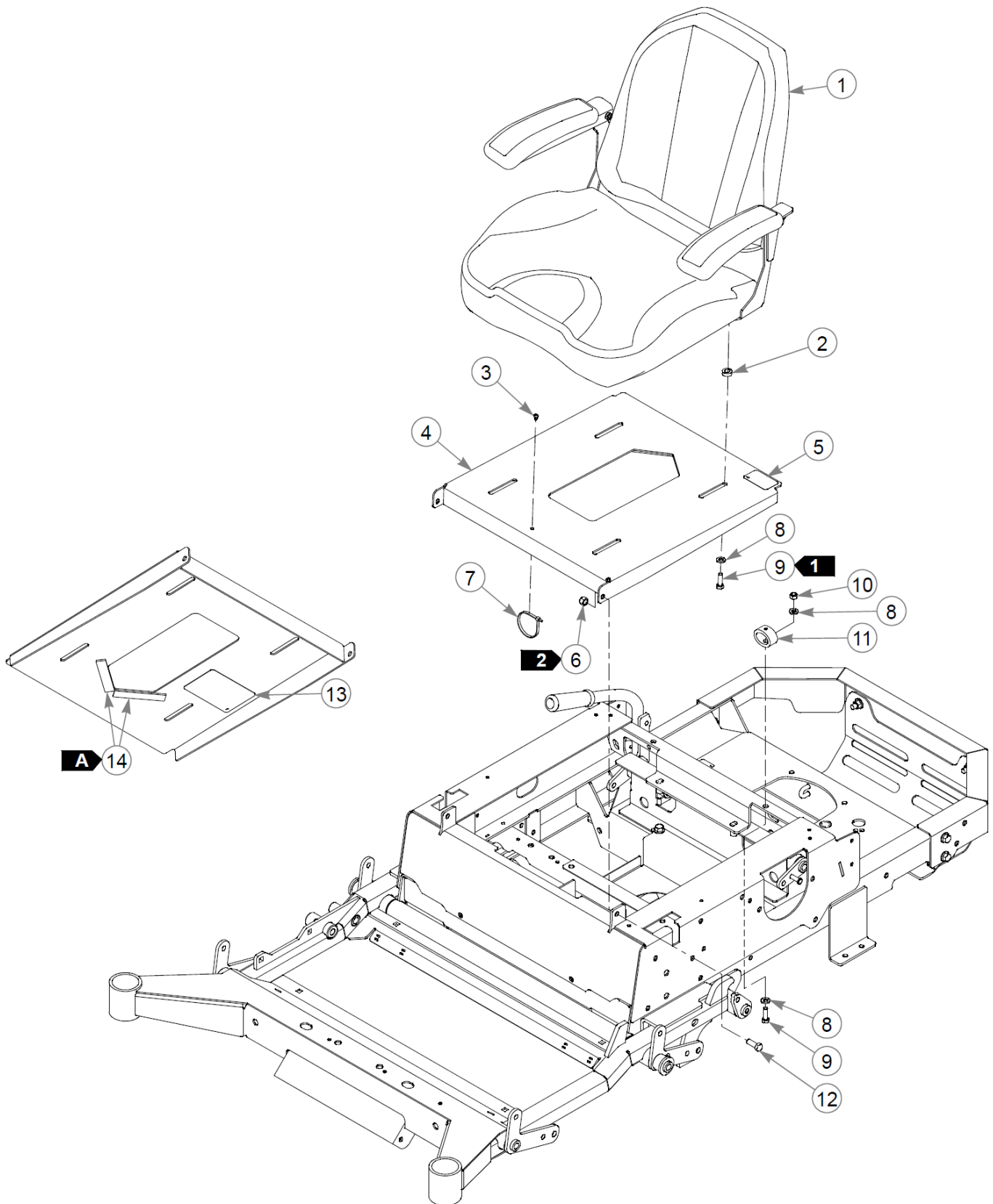
| Item | Part No. | Qty | Name |
|-----------|----------|-----|--------------------------|
| 1 | 607347 | 1 | SEAT |
| Not Shown | 606077 | 1 | S/C TO 607347 |
| 2 | 073858 | 4 | FW .406X .750X.250 ZN |
| 3 | 604307 | 1 | MOUNT, PUSH BUTTON |
| 4 | 552924 | 1 | SVC, SEAT PAN RFU |
| 5 | 605782 | 1 | DECAL, LEVEL FUEL BLOWM |
| 6 | 086660 | 2 | NT .375-16NLG8 |
| 7 | 000331 | 1 | WIRE TIE, SMALL/SHORT |
| 8 | 768523 | 4 | FW 0.343SAE |
| 9 | 036236 | 4 | CS .312-18X1.000HXG5 |
| 10 | 016899 | 4 | NT .375-16 FLKG5 |
| 11 | 793851 | 2 | SPRING,COMP 1.25X4.00X. |
| 12 | 123911-1 | 1 | SPRING MOUNT BRACKET |
| 13 | 011320 | 2 | CB .375-16X .750 STD ZN |
| 14 | 029629 | 2 | CS .375-16X0.75 HXF G5ZN |
| 15 | 036244 | 2 | CS .375-16X1.00 HX G5 ZN |
| 16 | 601815 | 1 | DECAL, BATTERY WARNINGS |
| 17 | 033035 | 2 | WEATHERSTRIP .12X.75 |

Comments for Page: Seat - S/N 17080000 & Higher

1. Torque to 9–14 ft-lbs on mowers S/N 19090579 & higher. Torque to 7 ft-lbs on mowers prior to S/N 19090579.
2. Do not torque; the seat pan must pivot freely.
3. The seat pan includes the decal.
4. 607347 seat is used on mowers S/N 19090579 & higher.
606077 seat is used on mowers prior to S/N 19090579.

WEATHERSTRIP LENGTH

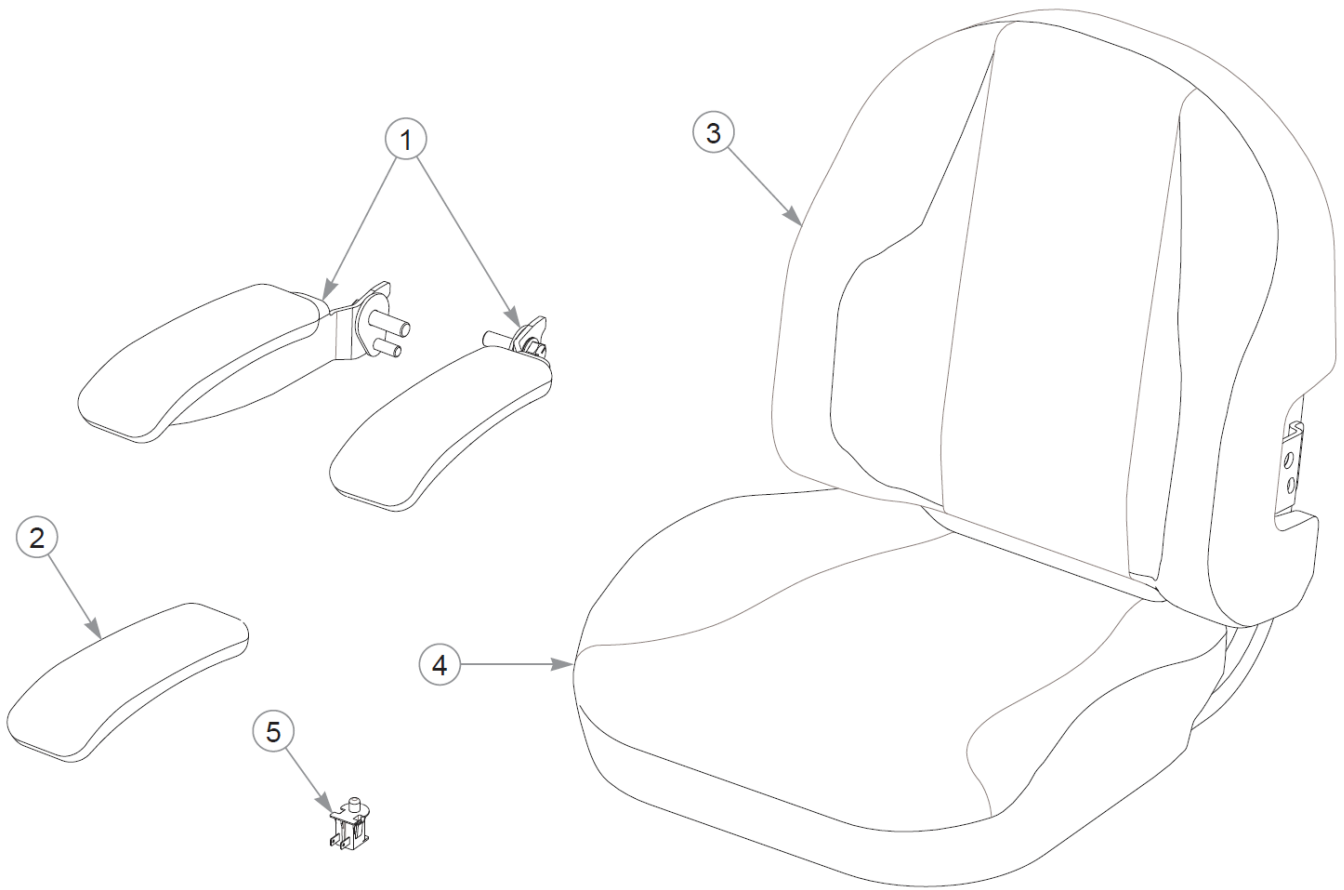
A: 4.0 "



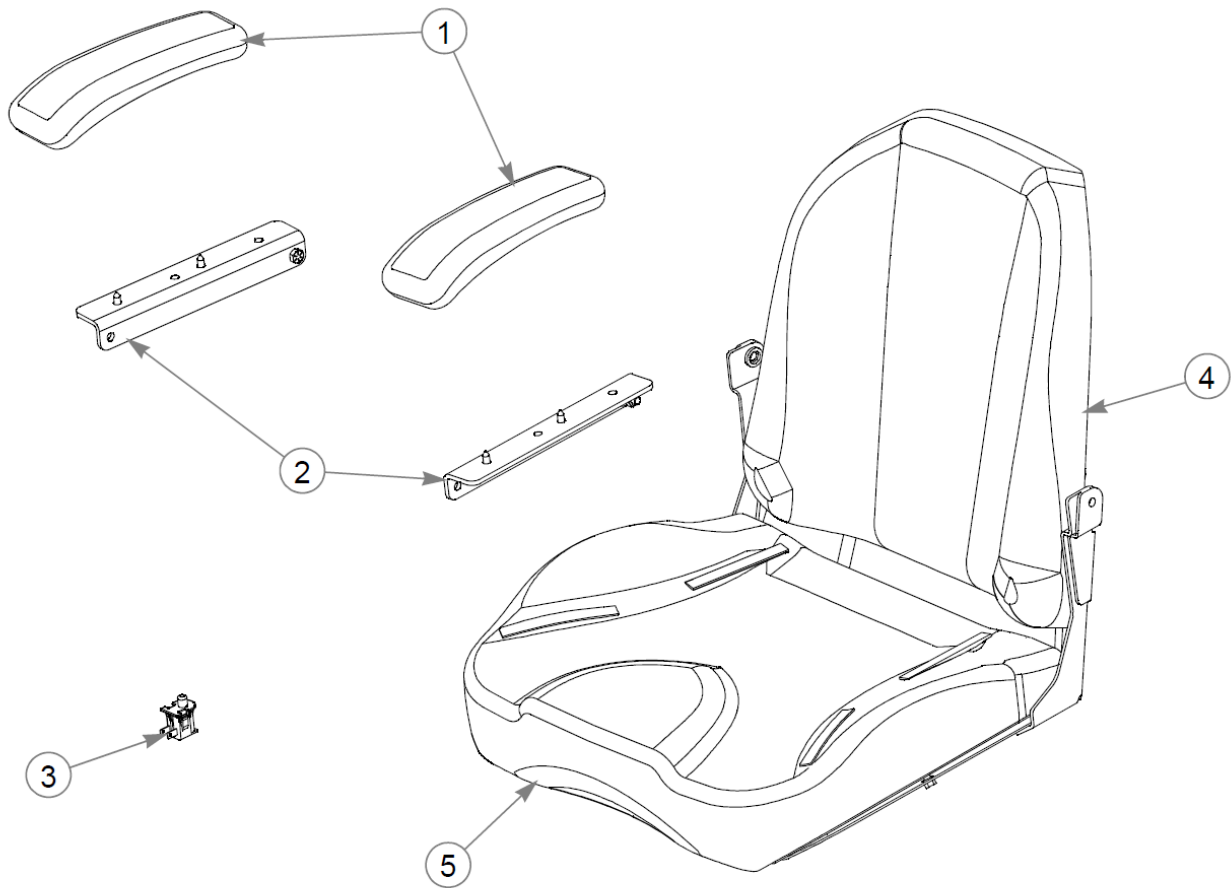
| Item | Part No. | Qty | Name |
|------|----------|-----|--------------------------|
| 1 | 606077 | 1 | S/C TO 607347 |
| 2 | 073858 | 4 | FW .406X .750X.250 ZN |
| 3 | 604307 | 1 | MOUNT, PUSH BUTTON |
| 4 | 552924 | 1 | SVC, SEAT PAN RFU |
| 5 | 605782 | 1 | DECAL, LEVEL FUEL BLOWM |
| 6 | 086660 | 2 | NT .375-16NLG8 |
| 7 | 000331 | 1 | WIRE TIE, SMALL/SHORT |
| 8 | 768523 | 8 | FW 0.343SAE |
| 9 | 036236 | 6 | CS .312-18X1.000HXG5 |
| 10 | 058776 | 2 | NT .312-18NLG5 |
| 11 | 605663 | 2 | SEAT BUMPER |
| 12 | 036244 | 2 | CS .375-16X1.00 HX G5 ZN |
| 13 | 601815 | 1 | DECAL, BATTERY WARNINGS |
| 14 | 033035 | 8" | WEATHERSTRIP .12X.75 |

Comments for Page: Seat - S/N PRIOR TO 17080000

WEATHERSTRIP LENGTHA: 4.0 "1. Torque to 9–14 ft-lbs.2. Do not torque; the seat pan must pivot freely.3. The seat pan includes decals.



| Item | Part No. | Qty | Name |
|------|----------|-----|-------------------------|
| 1 | 607166 | 1 | SVC, ARM REST KIT |
| 2 | 606081 | 1 | SVC, ARM PAD |
| 3 | 607348 | 1 | SVC, SEAT BACK COVER |
| 4 | 607349 | 1 | SVC, SEAT CUSHION COVER |
| 5 | 606082 | 1 | SVC, OPS |



| Item | Part No. | Qty | Name |
|-----------|----------|-----|-------------------|
| Not Shown | 606077 | 1 | S/C TO 607347 |
| 1 | 606081 | 2 | SVC, ARM PAD |
| 2 | 606085 | 1 | SVC, ARMEST SET |
| 3 | 606082 | 1 | SVC, OPS |
| 4 | 606083 | 1 | SVC, BACK CUSHION |
| 5 | 606084 | 1 | SVC, SEAT CUSHION |

Comments for Page: Seat Service Parts - 606077

1. The arm bracket kit includes right and left side brackets.