



**AVENUE**

A115

**BOULEVARD**

B215

**SERIAL RANGE: 21286001 - \_\_\_\_\_**

## **PRODUCT MANUAL**

### **Common Service Parts & Mower Information**

#### **Manuals**

Country Clipper Safety Instructions and Operation

Country Clipper Repair Parts

#### **Warranty**

Country Clipper Warranty

Kawasaki Engine Warranty

Kohler Engine Warranty

Hydro-Gear Warranty

Battery Warranty

#### **Additional Information**

Country Clipper Product Specifications

#### **Notes/Service Records**

P-13525 (Rev C - 4/22)

## Common Service Parts & Information

|  |   |                            |                                    |                 |
|--|---|----------------------------|------------------------------------|-----------------|
| 42" Blade                                      | High Lift w/o Fusion<br>H-2885 <sup>1</sup> | High Lift<br>Fusion H-2886 | Low Lift<br>H-2661                 | Gator<br>H-2667 |
| 48" Blade                                      | High Lift w/o Fusion<br>H-2882 <sup>1</sup> | Low Lift<br>H-2659         | Gator<br>H-2665                    | n/a             |
| 54" Blade                                      | High Lift w/o Fusion<br>H-2883 <sup>1</sup> | High Lift<br>Fusion H-2884 | Low Lift<br>H-2660                 | Gator<br>H-2666 |
| 60" Blade                                      | High Lift w/o Fusion<br>H-2885 <sup>1</sup> | High Lift<br>Fusion H-2886 | Low Lift<br>H-2661                 | Gator<br>H-2667 |
| 42" Deck Belt Avenue                           | D-3948                                      |                            |                                    |                 |
| 48" Deck Belt Boulevard                        | D-3949                                      |                            |                                    |                 |
| 54" Deck Belt Ave-Blvd                         | D-3950                                      |                            |                                    |                 |
| 60" Deck Belt Ave-Blvd                         | D-3951                                      |                            |                                    |                 |
| Transaxle Drive Belt                           | (Avenue) D-3885                             |                            | (Boulevard) D-3891                 |                 |
| Transaxle                                      | (Avenue) Hydro-Gear EZT                     |                            | (Boulevard) Hydro-Gear ZT-2800     |                 |
| Transaxle Hydraulic Oil                        | 20W-50 API SJ or Higher                     |                            |                                    |                 |
| Transaxle Oil Volume                           | (Avenue) ~4.0 Quarts                        |                            | (Boulevard) ~4.0 Quarts            |                 |
| Tire Pressure<br>(Recommended 12 PSI / 83kPa ) | Front 10 to 16 PSI / 69 to 110 kPa          |                            | Rear 10 to 16 PSI / 69 to 110 kPa  |                 |
| Engine   | Kawasaki* FR600 (Avenue)                    |                            | Kohler* KT730 (Avenue & Boulevard) |                 |
| Engine Oil Filter                              | Kaw PN 49065-0721                           |                            | Koh PN 12 050 01                   |                 |
| Air Filter                                     | Kaw PN 11013-0727                           |                            | Koh PN 32 083 09                   |                 |
| Spark Plug                                     | NGK BPR4ES                                  |                            | Koh PN 25 132 23                   |                 |
| Engine RPM                                     | 3300 ± 100                                  |                            | 3300 ± 75                          |                 |
| Engine Oil                                     | SAE 10W-30 or 40 API SJ or Higher           |                            |                                    |                 |

\* Please consult the engine owner's manual for specific maintenance procedures and requirements.

<sup>1</sup> Standard blade shipped with mower.

| <b>Mower Information</b>         |  |
|----------------------------------|--|
| <b>Date of Purchase:</b>         |  |
| <b>Mower Model Number:</b>       |  |
| <b>Mower Serial Number:</b>      |  |
| <b>Engine Spec Number:</b>       |  |
| <b>Hydro Serial Number (RH):</b> |  |
| <b>Hydro Serial Number (LH):</b> |  |



# **Safety Instructions and Operation**

# Table of Contents – Safety Instructions and Operation

|  |      |
|--|------|
| BASIC INFORMATION .....                  | 1.1  |
| Warranty Registration .....              | 1.1  |
| Model/Serial Number .....                | 1.1  |
| Parts/Service .....                      | 1.1  |
| MOWER SAFETY GUIDELINES.....             | 2.1  |
| Slope Operation .....                    | 2.2  |
| Children.....                            | 2.2  |
| Hauling .....                            | 2.2  |
| Towing.....                              | 2.3  |
| Service (Safe Handling of Gasoline)..... | 2.3  |
| General Service .....                    | 2.3  |
| Safety Interlock System.....             | 2.4  |
| Safety Alerts .....                      | 2.4  |
| Safety Decals .....                      | 2.5  |
| CONTROLS .....                           | 3.1  |
| Control Descriptions.....                | 3.2  |
| Control Decals .....                     | 3.3  |
| START UP & OPERATION .....               | 4.1  |
| Pre-Operation Checklist .....            | 4.1  |
| Starting the Engine.....                 | 4.2  |
| Stopping the Engine .....                | 4.2  |
| Mower Driving Operation .....            | 4.3  |
| Deck Height Adjustment .....             | 4.4  |
| Blade Engagement .....                   | 4.7  |
| Mowing Recommendations .....             | 4.7  |
| Transmission Free Wheel Release.....     | 4.8  |
| Mower Transportation .....               | 4.9  |
| Mower Storage .....                      | 4.9  |
| Preseason Mower Prep .....               | 4.10 |
| Mower Towing .....                       | 4.10 |
| MAINTENANCE .....                        | 5.1  |
| Maintenance Schedule.....                | 5.1  |
| Maintenance Introduction .....           | 5.2  |
| Engine Maintenance .....                 | 5.2  |
| Grease Points .....                      | 5.4  |
| Tires.....                               | 5.5  |
| Belts .....                              | 5.5  |
| Electrical System .....                  | 5.5  |
| Deck Service .....                       | 5.6  |
| Mower Blade Service .....                | 5.9  |
| Hydraulic Drive Service .....            | 5.11 |
| Standard Operation Adjustments.....      | 5.12 |
| TROUBLESHOOTING.....                     | 6.1  |
| BELT ROUTING .....                       | 7.1  |
| MAINTENANCE RECORD .....                 | 8.1  |

## Section 1... Basic Information

Thank you for purchasing a new Country Clipper mower. This manual will assist the operator in the proper operation and maintenance of the mower. Following the information and instructions provided in the manual can help you attain years of performance from your Country Clipper mower.

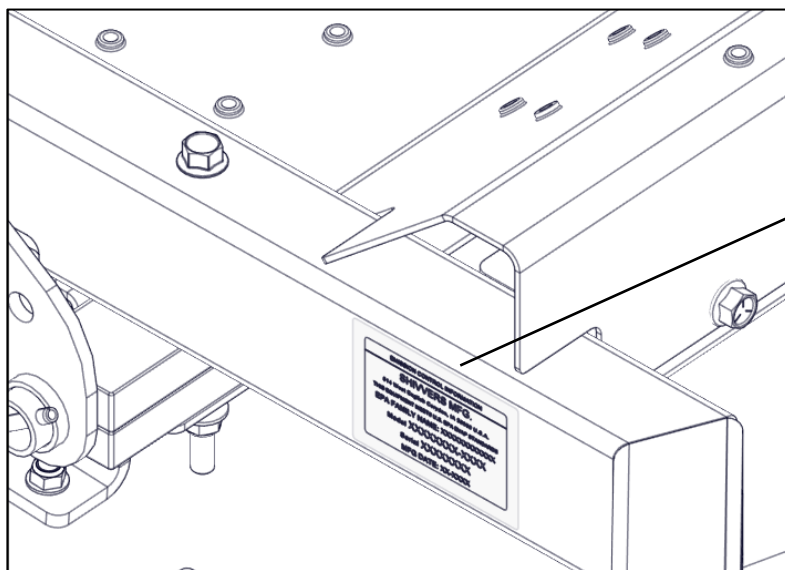
- 1.1 Country Clipper factory fills the engine with 10W-30 conventional engine oil (API Service Class SJ or Higher). Consult engine owner's manual for specific oil recommendations.
- 1.2 Typically 2 quarts of oil are required per engine oil change with filter. Consult engine owner's manual for specific oil recommendations and capacity.
- 1.3 Country Clipper uses 20W-50 conventional engine oil to fill the hydraulic transmission drive. (API Service Class SJ or Higher)
- 1.4 Country Clipper recommends NLGI #2 grease for grease points.

## Warranty Registration

The Warranty Registration must be completed within 30 days from date of purchase to validate the warranty. As the new equipment owner, you are expected to confirm that the form is completed and documentation forwarded to Country Clipper Mfg. at the time of delivery. **Warranty registration should be completed by the selling dealership either by submitting through the online registration site or mailing the registration card to Country Clipper.** The warranty is nontransferable.

## Model/Serial Number

Your model & serial number can be located on the frame rail just above the grass discharge side of the deck. These numbers will be needed when ordering service replacement parts.



**Model & Serial Number Tag**

|  |               |
|--|---------------|
| EMISSION CONTROL INFORMATION                 |               |
| <b>SHIVERS MFG.</b>                          |               |
| 614 W. ENGLISH ST. CORYDON, IA 50060 U.S.A   |               |
| THIS EQUIPMENT MEETS U.S. EPA EVAP STANDARDS |               |
| EPA FAMILY NAME:                             |               |
| <b>Model #</b>                               | XXXXXXXX-XXXX |
| <b>Serial #</b>                              | XXXXXXXX      |
| <b>MFG DATE:</b>                             | XX-XXXX       |

## Parts/Service

Genuine Country Clipper replacement parts must be used on your mower for warranty consideration. Replacement parts are available through your authorized Country Clipper servicing dealer. Remember to provide the following information from your mower when ordering service parts:

1. Correct Serial Number
2. Correct Model Number
3. Correct Part Number

Warranty repair and service must be performed through your authorized Country Clipper Dealer. Visit [www.countryclipper.com](http://www.countryclipper.com) to locate your nearest dealer.

## Section 2... Mower Safety Guidelines

At Country Clipper, we share your desire to protect your family, friends, neighbors, and yourself from accidental injury. Never allow untrained people to operate the mower. It's the owner's responsibility to receive proper training in the operation of the mower and any other individuals authorized to use the machine. Observing and enforcing the following guidelines will help to ensure the safety of everyone.

- 2.1 Before operating, adjusting, or servicing your Country Clipper mower read, understand and follow all instructions in this manual including the engine owner's manual.
- 2.2 Keep hands and feet away from rotating parts or under the machine. Keep clear of the deck discharge area and/or blades while in operation. Turn the engine off before servicing these areas.
- 2.3 Disengage blades when not mowing. Shut off the engine and wait for all rotating parts to stop prior to cleaning, inspecting, servicing, removing grass catcher, and/or unclogging the discharge chute.
- 2.4 Always remain seated during operation of the mower. If equipped with Roll Over Protection Structure (ROPS) and in the upright position, always buckle yourself in the seat.
- 2.5 Mower must be operated by responsible adults with the proper instruction and training on safe operation.
- 2.6 Clear area to be mowed of debris that could be propelled by the blades such as rocks, wire, toys, sticks, etc.
- 2.7 Maintain a safe distance from people and pets prior to and during operation of the mower. Disengage blades and shut the engine off if anyone enters the area.
- 2.8 Never allow passengers.
- 2.9 Do not mow in reverse unless absolutely necessary. Always look down and behind before and during backing up.
- 2.10 Never direct mower discharge toward people or animals. Avoid directing discharge material toward walls or obstructions as material may ricochet back toward the operator. Disengage blades when crossing gravel surfaces.
- 2.11 Never operate the machine without the discharge chute, grass catcher, or other safety devices in place and functioning properly. Periodically check for signs of wear or deterioration and replace as needed.
- 2.12 Slow down during turns.
- 2.13 Know the location and operation of all controls; especially brake operation and how to disengage the mower blades.
- 2.14 Speed and/or direction of travel is affected instantly by movement of drive control lever(s). Avoid rapid change of direction and stroke of the drive control lever(s).
- 2.15 Always disengage blades, place drive control lever(s) in neutral lock, engage parking brake, and remove ignition key when leaving operators seat. Never leave a running machine unattended.
- 2.16 Always operate machine during daylight or with adequate working lights.
- 2.17 Do not operate the mower while under the influence of alcohol or drugs.
- 2.18 Watch for traffic when operating near or crossing roadways and sidewalks.
- 2.19 Wear appropriate eye protection when operating or servicing the machine.
- 2.20 Wear appropriate ear protection during operation of the mower.
- 2.21 Assure extra care is taken when loading and unloading the machine on a trailer or truck.
- 2.22 Stay alert of surroundings. Watch for rocks, stumps, mounds, depressions, low hanging limbs or other objects that could be a potentially hazardous while mowing.
- 2.23 Prevent fires by keeping engine and exhaust areas clear of grass clippings and other debris. Do not park or back mower over or immediately adjacent to flammable materials. Do not mow on or into piles of leaves. This may cause the leaves to become lodged around the engine and muffler and catch fire.

## Slope Operation

Operation on slopes, hills, and/or embankments is a key factor that can cause loss of control or tip over accidents that can result in severe injury or death. Operation on all slopes requires extra caution. Country Clipper recommends the operator survey the slope and terrain conditions prior to operating on or near a slope. Prudent discretion and judgement should be exercised to ensure safe operation. Country Clipper mowers are designed to maximize stability but as with all machines there are limitations. Grass, soil, and weather conditions along with the slope and terrain impact the maximum slope that can be mowed. A slope should be evaluated prior to each mowing to determine if conditions have changed that would lead to un-safe operation. Never operate on a slope greater than 15 degrees.

- 2.24 Back-up and drive down slopes, not across the face of a slope.
- 2.25 Avoid holes, ruts, bumps, rocks, or other hidden hazards. Uneven terrain could result in loss of control or overturn of the machine.
- 2.26 Avoid mowing on wet grass; the drive tires could lose traction.
- 2.27 Reduce speed and use gradual movements to start, stop and maneuver the mower.
- 2.28 To prevent loss of control on a slope avoid sharp turns, sudden changes in direction, and sudden stops and starts. If tires loose traction, disengage the blades and proceed slowly straight down the slope.
- 2.29 If equipped with a grass catcher or other attachment use extra care; they can affect the stability. Avoid using on steep slopes.
- 2.30 Do not try to stabilize the machine by putting your foot or hand on the ground.
- 2.31 Do not mow or drive near drop-offs, ditches, or embankments; sudden roll-over could occur if a wheel goes over the edge.
- 2.32 Avoid mowing slopes that have rocks, water, cliffs, and roadways at the bottom.

## Children

Tragic accidents can occur if the operator is not alert to the presence of children. Children are often attracted to the machine and the mowing activity. Never assume that children will remain where you last saw them.

- 2.33 Keep children out of the operating area and under the watchful care of a responsible adult other than the operator.
- 2.34 Do not carry children, even with the blade(s) shut off. Children could fall off and be seriously injured or interfere with safe machine operation. Children who have been given rides in the past could suddenly appear in the mowing area for another ride and be run over or backed over by the machine.
- 2.35 Disengage blades and shut the engine off if a child enters the area.
- 2.36 Never allow children to operate the machine.
- 2.37 Never leave the running mower unattended, especially when children are present.
- 2.38 Always remove the ignition key when the mower is not in use.
- 2.39 Monitor the area for blind spots that may obstruct your view of a child (ie. corners, shrubs, trees, ornaments, etc.)

## Hauling

Caution should be exercised when loading and unloading a mower on a trailer or transport vehicle. Depending on the trailer or transport vehicle; the ramp slope could cause loss of control or tip over.

- 2.40 Use full width ramps for loading and unloading a machine for transport.
- 2.41 Reduce speed and use gradual movements to start, stop and maneuver the mower up the trailer ramp.
- 2.42 Set the park brake and secure the mower with tie downs before transporting.

## Towing

- 2.43 Do not exceed recommendation for weight limits for towed equipment and towing on slopes.
- 2.44 Tow only with a machine designed with a hitch for towing.
- 2.45 Only use an approved hitch for the machine.
- 2.46 Keep children off the towed equipment.
- 2.47 Use extreme caution when towing on slopes; additional weight may cause loss of traction and control.
- 2.48 Do not attempt a zero-turn with a towed implement.

## Service (Safe Handling of Gasoline)

Use extreme caution when handling gasoline to avoid personal injury and/or property damage. Gasoline is very flammable and gasoline vapors are explosive.

- 2.49 Gasoline vapors ignite easily; extinguish all ignition sources prior to handling. (i.e. cigarettes, cigars, pipes, open flames, spark sources, etc.)
- 2.50 Only use approved gasoline containers.
- 2.51 Never remove gas cap or add fuel with the engine running.
- 2.52 Allow engine to cool before refueling.
- 2.53 Never refuel inside a building or other confined space such as an enclosed trailer.
- 2.54 Do not store machine or fuel container near open flames or source of ignition; water heaters, furnace, space heater, etc.
- 2.55 Remove gas powered equipment from the truck or trailer and refuel equipment on the ground. If not possible, use a portable container rather than gasoline pump nozzle.
- 2.56 Never fill gasoline containers inside a vehicle or on a truck or trailer bed with a plastic liner. Place container(s) on the ground away from vehicle before filling.
- 2.57 Keep fuel nozzle in contact with the rim of the fuel tank at all times until re-fueling is complete.
- 2.58 If fuel is spilled, do not attempt to start the engine and avoid creating any source of ignition until fuel vapors have dissipated.
- 2.59 If fuel is spilled on clothing, change clothing immediately.
- 2.60 Only refuel on level ground to avoid over filling.
- 2.61 Never over fill fuel tank. Replace gas cap securely when re-fueling is complete.

## General Service

- 2.62 Never operate engine in an enclosed space where dangerous carbon monoxide fumes can collect.
- 2.63 Do not touch hot surfaces on the machine.
- 2.64 Keep all nuts and bolts tight to assure the equipment is in safe working condition. Never operate a poorly maintained machine.
- 2.65 Never interfere or tamper with intended function of a safety device. Check proper operation regularly.
- 2.66 Keep the entire machine free of grass, leaves, and other debris. Clean up any fuel or oil spillage on the machine. Failure to do so, can affect the safety and operation of the machine. Additionally, it can increase the danger of a fire due to contact with a hot surface on the machine.
- 2.67 Allow machine to cool before storing.
- 2.68 If you strike something with the mower, turn the mower blades off, engage park brake, shut the engine off, and inspect the machine for damage. Repair if required prior to restarting and operating the machine.
- 2.69 Never make adjustments or repairs with the engine running.
- 2.70 Mower blades are sharp. Wrap the blade or wear gloves before servicing them.
- 2.71 Check operation of the park brake frequently. Adjust and service as needed.
- 2.72 Maintain or replace safety decals as required.
- 2.73 If equipped with a grass catcher, inspect components and the discharge guard frequently and replace with manufacturer's recommended parts, as required.



- 2.74 Never allow untrained personnel to service machine. Understand service procedures before doing work.
- 2.75 Keep debris and grass off the mower to prevent premature parts failures or fires.

## Safety Interlock System

Your Country Clipper mower is equipped with a safety interlock system. This system is integrated into the operator controls and seat to prevent serious injury or death to the operator, bystanders, or property damage. Proper operation of this system is critical and should be checked frequently. **Note: operator must be seated properly on the mower during the test and the engine should be previously warmed up to operating temperature.**

**Joystick Models...** Neutral Lock is when the Joystick Drive Control Lever is in the “Down” position.

**Twin Stick Models...** Neutral Lock is when both Twin Stick Drive Control Levers are in the “Out” position.

- 2.76 The Deck Engagement Switch must be disengaged before the engine will start.
- 2.77 The Drive Control Lever(s) must be in the Neutral Lock position before the engine will start.
- 2.78 The engine will stop if the Deck Engagement Switch is engaged when the operator leaves the driver’s seat.
- 2.79 The engine will stop if the Drive Control Lever(s) are not in the Neutral Lock position when the operator leaves the driver’s seat.
- 2.80 The engine will stop if the Park Brake is engaged and the Drive Control Lever(s) are not in the Neutral Lock position.
- 2.81 The engine will stop if the Park Brake is engaged and the Deck Engagement Switch is engaged.

Do not operate mower if any of these test fail to produce the results indicated. Contact your Country Clipper dealer to troubleshoot and resolve the issue.

## Safety Alerts



This safety alert symbol is used to call attention to a message intended to provide a reasonable degree of Personal Safety for operators and servicing personnel. All operators and mechanics should read this manual and be familiar with the safe operation and service procedures before proceeding. Improper operation and/or maintenance can result in personnel injury.

Additionally, “**IMPORTANT**” and “**NOTE**” may be used to call attention to special mechanical information and noteworthy general information.

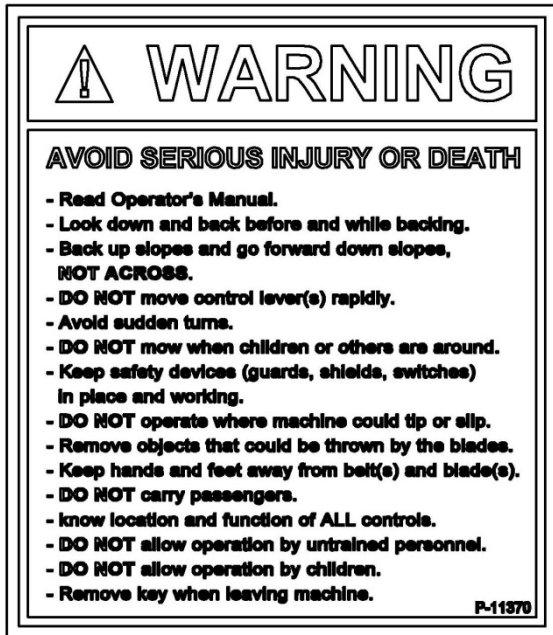
|  |  |
|--|--|
|  | <b>Danger</b>  |
|  | ...Denotes immediate hazards that WILL result in severe injury or death. |

|  |   |
|--|---|
|  | <b>Warning</b>  |
|  | ...Denotes a hazard or unsafe practice which COULD result in severe personal injury or death. |

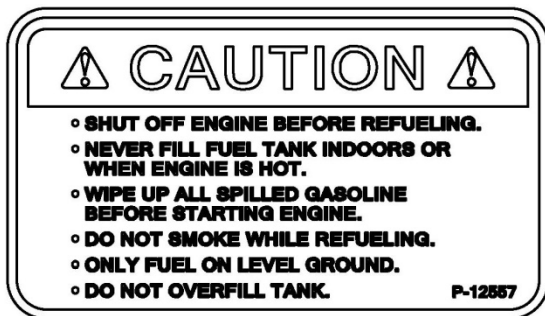
|  |   |
|--|---|
|  | <b>Caution</b>  |
|  | ...Denotes a hazard or unsafe practice which COULD result in minor or moderate personal injury. |

The following illustrations depict the various safety decals used on the equipment with a brief explanation for those requiring one.

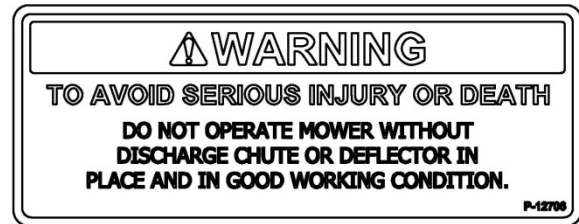
## Safety Decals



P-11370... WARNING - Operating Safety.



P-12557... CAUTION – Fuel Handling Safety.



P-12706... WARNING – Deck Discharge Opening Safety.



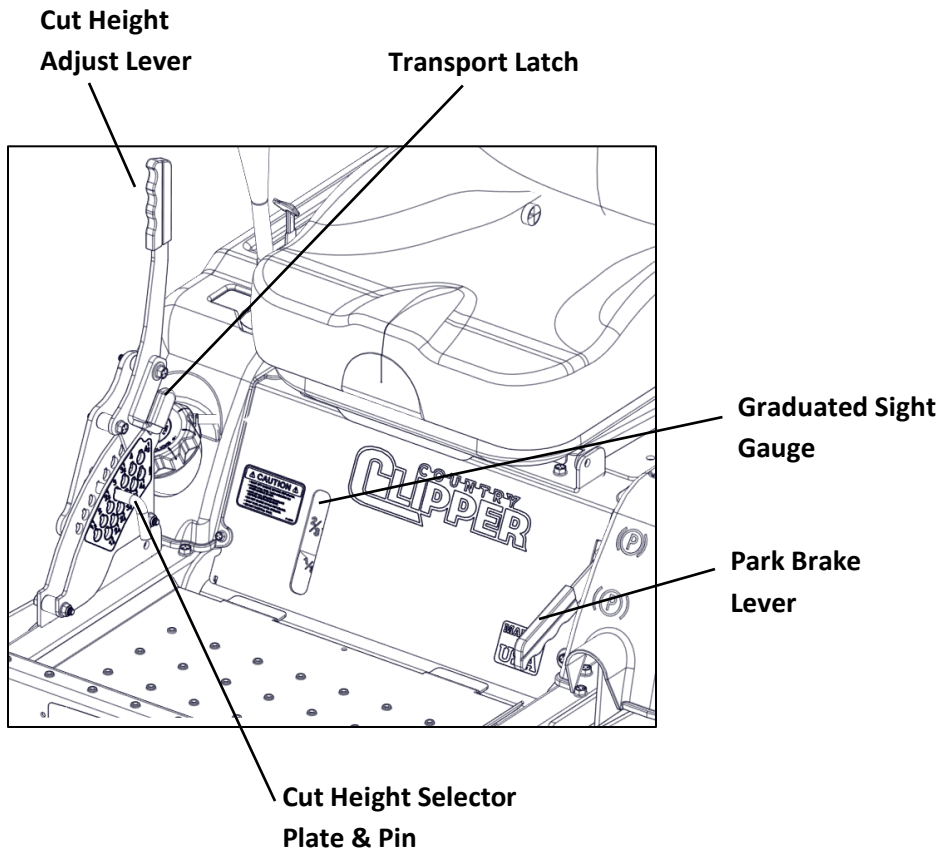
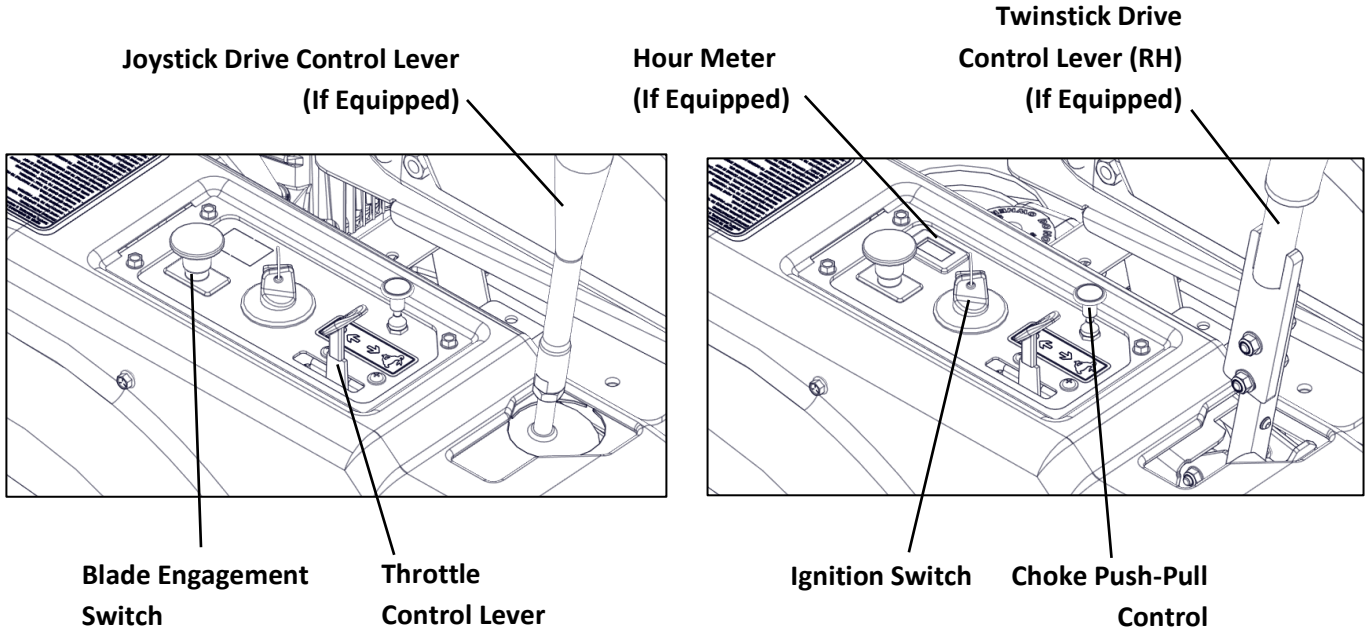
P-12496... DANGER – Discharge Chute or Grass Catcher has been removed.



P-10941... DANGER – Rotating Blade Safety.

# Section 3... Controls

Your Country Clipper mower has a variety of controls and switches that are used to operate and adjust key operational parameters of the mower. Make sure you become familiar and proficient in the use of these controls. A proficient understanding of the function of these controls will assure the operator's confidence and safety during operation and servicing the mower.



# Control Descriptions

**Ignition Switch:** A three position switch: “Off”, “Run”, and “Start”. With key inserted, rotate clockwise to the “Start” position, release key when engine starts. The switch will automatically return to the “Run” position. Turn switch to “Off” position to shutoff engine.

**Blade Engagement Switch:** This is a two position switch: pull switch up to engage the mower blades, push switch down to disengage the mower blades.

**Throttle Control Lever:** Connected to the engine throttle control by a cable. Move the throttle lever generally forward to increase engine rpm and rearward to decrease engine rpm.

**Choke Push-Pull Control:** Connected to the engine choke control by a cable. Pull the choke knob up to assist starting a cold engine. Push knob down after engine has started.

**Hour Meter:** The hour meter records accumulative time while the engine is running (Boulevard only).

**Graduated Sight Gauge:** Visually indicates the fuel fill level.

**Joystick Drive Control Lever:** Connected to the drive transaxles to translate the control lever movement to forward, reverse, and turning motion of the mower.

**Twin Stick Drive Control Levers:** Connected to the respective drive transaxle for each side to translate the control lever movement to forward, reverse, and turning motion of the mower.

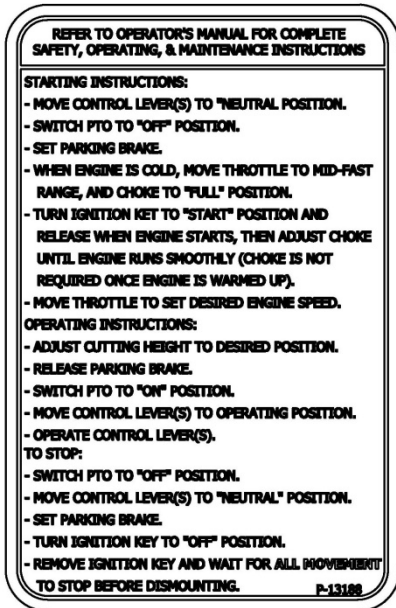
**Park Brake:** When the lever is pulled up the brake is applied on both transaxles. Push down to release.

**Cut Height Selector Plate & Pin:** Used to set the cut height of the deck.

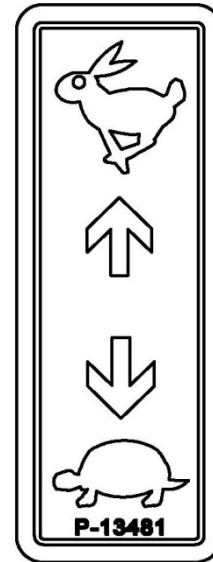
**Transport Latch:** Used to engage or disengage the deck transport position.

**Cut Height Adjust Lever:** Used to raise and lower the cutting deck.

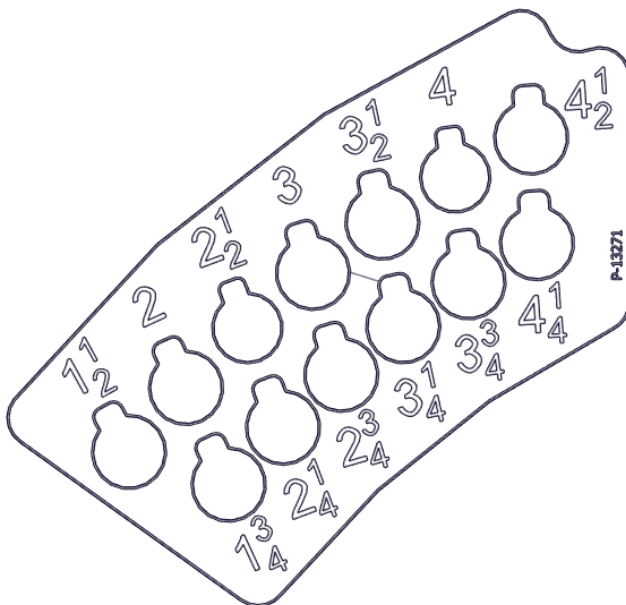
# Control Decals



P-13188... Startup & Operation Instructions.








P-13482... Throttle Control Position, Idle Rpm to Full Throttle



P-13271... Deck Height Position – Used as a relative reference of the cutting blade height above the ground surface.

## Section 4... Start Up & Operation


|  |  |
|--|--|
|   | <p style="text-align: center;"><b>Warning</b></p> <p>Never allow untrained people to operate the mower. Do not operate machine with faulty equipment. Clear area of debris and obstacles and stay alert to changing conditions that can impact the mower operation.</p>                                    |
|   | <p style="text-align: center;"><b>Danger</b></p> <p><b>ENGINE SHOULD BE OFF AND COOL BEFORE REFUELING. USE APPROVED GAS CONTAINER. NEVER FILL TANK INDOORS. NEVER OVER FILL THE FUEL TANK. CLEAN UP ANY SPILLS. REPLACE CAP AND SECURE TIGHTLY.</b></p>  |
|   | <p style="text-align: center;"><b>Danger</b></p> <p><b>AVOID INHALING EXHAUST FUMES -- CARBON MONOXIDE GAS IS COLORLESS AND ODORLESS, AND CAN CAUSE UNCONSCIOUSNESS, AND IS POTENTIALLY LETHAL. DO NOT RUN LAWN MOWER IN GARAGE OR OTHER CONFINED AREAS.</b></p>   |
|   | <p style="text-align: center;"><b>Danger</b></p> <p><b>TO AVOID PERSONAL INJURY OR PROPERTY DAMAGE, USE EXTREME CARE IN HANDLING FUEL. FUEL IS EXTREMELY FLAMMABLE AND THE VAPORS ARE EXPLOSIVE. KEEP FUEL AWAY FROM IGNITION SOURCES.</b></p>   |
|  | <p style="text-align: center;"><b>Warning</b></p> <p>Wear the appropriate Personal Protective Equipment (PPE) when operating and/or servicing the mower. It is required that the operator or servicing personnel wear protective eye wear, hearing protection, hand protection and/or foot protection.</p> |

### PRE- OPERATION CHECKLIST


|  |                                  |   |
|--|----------------------------------|---|
|  | Fuel                             | Fill fuel tank to appropriate level with fresh, clean unleaded fuel. Consult Engine Owner's Manual for fuel recommendations.    |
|  | Engine Oil Level                 | Consult Engine Owner's Manual for proper procedure.   |
|  | Engine Air Filter                | Consult Engine Owner's Manual for proper procedure.   |
|  | Engine                           | Clear any debris from engine, check for loose hardware, and/ or leaks.  |
|  | Hydraulic Transaxle Drive Oil    | Check oil level. (Boulevard Only)   |
|  | Mower Deck                       | Clean debris & grass as necessary from top and bottom of deck.  |
|  | Blades                           | Check condition of blades. Make sure blades are securely fastened. Sharpen as required.   |
|  | Tires (Recommended 12 PSI/82kPa) | Check Tire Pressure (10 to 16 PSI / 69 to 110 kPa, Front & Rear).   |
|  | Belts                            | Check belts for wear and proper alignment.  |
|  | General                          | Check for loose hardware, missing components, and/or leaks.   |
|  | Safety                           | Check Operator Presence Control System (See Section 2 Safety Interlock System) and missing or damaged safety shields or guards. |

# Starting The Engine

- 4.1 The mower’s Safety Interlock System is designed to protect the operator and bystanders from accidental injury due to unintentional engine starting and/or the operator leaving the operator zone. The engine starter will not engage until the operator satisfies the following conditions:
  - 4.1.1 Steering Drive Control Lever(s) are in the neutral lock position.
  - 4.1.2 Deck Blade Engagement Switch is in the “Off” position (Pushed Down).

|   |  |
|---|--|
|  | <b>Danger</b>  |
|   | <b>THE SAFETY INTERLOCK SYSTEM MUST NOT BE DISCONNECTED OR BYPASSED. UNEXPECTED OPERATION COULD OCCUR RESULTING IN PERSONAL INJURY OR DEATH.</b> |


- 4.1.3 NOTE: The operator’s seat has a safety switch integrated into the seat cushion. The switch is activated by the weight of the operator. Should the operator become unseated, for any reason, when the Drive Control Lever(s) is/are in the drive position and/or the Blade Engagement Switch is “ON” the engine will stop.
- 4.1.4 NOTE: The following steps are the correct procedure for starting the engine. Contact your Country Clipper Dealer if difficulty is encountered.
  - 4.1.5 Prior to starting the mower for the day perform the Pre-Operation Check List.
  - 4.1.6 Make sure Drive Control Lever(s) are in the Neutral lock position and the Deck Blade Engagement is in the “Off” position (Pushed Down). Only start the engine from the operator’s position. Additionally, it is recommended to apply the Park Brake before starting.
  - 4.1.7 Pull up on the engine Choke Knob when engine is cold or a warm engine fails to start within 5 secs. Avoid flooding the engine once started by pushing the Choke Knob to the off position.
  - 4.1.8 Position Throttle Control Lever to mid-range.
  - 4.1.9 Insert key into Ignition Switch. With key inserted, rotate clockwise to the “Start” position, release key when engine starts. The switch will automatically return to the “Run” position. If unit is equipped with a 12 volt accessory (i.e. Light Kit or similar) connected to the Ignition Switch; turn the Key counterclockwise to the “Run + Accessory” position to power the accessory.

|   |  |
|---|--|
|  | <b>Important</b>   |
|   | Do not run the electric starter continuously for more than 5 seconds; otherwise the battery may discharge quickly. If the engine does not start right away, wait 15 seconds and try again. |

- 4.1.10 **Perform Safety Interlock System check...** (See Section 2 Safety Interlock System)
- 4.1.11 Allow the engine to idle a few minutes before advancing to full throttle and/or activating the mower blade engagement.


# Stopping The Engine


- 4.2 The following steps are the correct procedure for stopping the engine.
  - 4.2.1 Move the drive control lever(s) to the neutral lock position.
  - 4.2.2 Throttle the engine back to ½ throttle and turn “Off” the Deck Blade Engagement switch.
  - 4.2.3 Move the throttle to idle and allow the engine to run at idle for a couple of minutes to cool down.
  - 4.2.4 Turn Ignition Switch to “Off” position to shut off engine. Set the Park Brake. Remove key from Ignition Switch before leaving the mower

|   |   |
|---|---|
|  | <b>Warning</b>  |
|   | When leaving the mower unattended, always remove the Ignition Key and set the Park Brake, even if for just a few moments. This will discourage unauthorized personnel from operating the mower. |

# Mower Driving Operation

4.3 Country Clipper offers two types of steering options; Joystick Drive Control and Twin Stick Drive Control. Both options will be explained below.

| <b>Danger</b>   |   |
|---|---|
|  | <b>NEVER MAKE SUDDEN STOPS OR REVERSE IN DIRECTION, ESPECIALLY WHEN OPERATING ON A SLOPE. SPEED AND/OR DIRECTION OF TRAVEL ARE AFFECTED INSTANTLY BY MOVEMENT OF DRIVE CONTROL LEVER(S). AVOID RAPID CHANGE OF DIRECTION AND STROKE OF THE DRIVE CONTROL LEVER(S) IN EITHER DIRECTION. SUDDEN CHANGES IN SPEED AND DIRECTION COULD RESULT IN SERIOUS INJURY OR DEATH.</b> |

| <b>Important</b>  |   |
|---|---|
|  | Until the operator is familiar with their Country Clipper Zero Turning Radius Mower, they should follow these recommendations: Disengage the mower blades. Go very slowly (throttle engine rpm down to ½ throttle or less) until thoroughly familiar with the machine. Keep away from fences, buildings, and other obstructions. Move the Control Lever(s) smoothly and slowly. Practice until operation is smooth and efficient. The drive control lever(s) are more responsive at full throttle engine rpm. |

## 4.3.1 Joystick Drive Control Operation (Section 4, Figure 1)


- 4.3.2 With the engine started, release the parking brake. (Push Park Brake lever down to release)
- 4.3.3 Lift the Joystick Drive Control Lever up out of the neutral lock position. (Pull Joystick straight up)
- 4.3.4 **Travel Forward...** Move the Joystick Drive Control Lever forward to move forward. Increasing the forward travel of the Joystick Drive Control Lever will increase the speed of travel.
- 4.3.5 **Travel Reverse...** Move the Joystick Drive Control Lever rearward to move in reverse. Increasing the rearward travel of the Joystick Drive Control Lever will increase the speed of travel.
- 4.3.6 **Turn Left...** Move the Joystick Drive Control Lever to the left. Increasing the leftward travel of the Joystick Drive Control Lever will increase the speed of travel to the left.
- 4.3.7 **Turn Right...** Move the Joystick Drive Control Lever to the right. Increasing the rightward travel of the Joystick Drive Control Lever will increase the speed of travel to the right.
- 4.3.8 **Zero Radius Turn...** Move the Joystick Drive Control Lever to the side you wish to turn and slightly rearward at the same time. Increasing the travel of the Joystick Drive Control Lever will increase the speed of travel.
- 4.3.9 **Stop or Decrease Travel Speed...** Move the Joystick Drive Control Lever in the opposite direction of travel. To stop, move Joystick Drive Control Lever to the neutral position.
- 4.3.10 **Stop and Park...** With the Joystick Drive Control Lever in the neutral position, press the Joystick Drive Control Lever down to the Neutral Lock position.

## 4.3.11 Twin Stick Drive Control Operation (Section 4, Figure2)

- 4.3.12 With the engine started, release the parking brake. (Push Park Brake lever down to release)
- 4.3.13 Move the Twin Stick Drive Control Levers inward to the neutral position. (Pull both levers inward from the neutral lock position)
- 4.3.14 **Travel Forward...** Move the Twin Stick Drive Control Levers forward to move forward. Increasing the forward travel of the Twin Stick Drive Control Levers will increase the speed of travel.

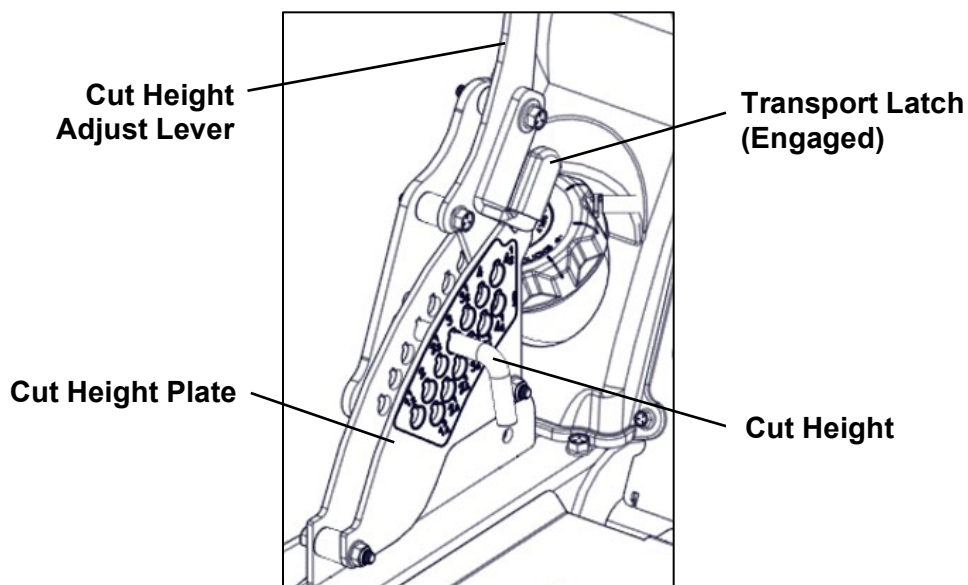


- 4.3.15 **Travel Reverse...** Move the Twin Stick Drive Control Levers rearward to move in reverse. Increasing the rearward travel of the Twin Stick Drive Control Levers will increase the speed of travel.
- 4.3.16 **Turn Left...** Move the Right Steering Drive Control Lever slightly ahead of the Left Steering Drive Control Lever. Increasing the distance between the two Drive Control Levers will increase the speed of travel to the left.
- 4.3.17 **Turn Right...** Move the Left Steering Drive Control Lever slightly ahead of the Right Steering Drive Control Lever. Increasing the distance between the two Drive Control Levers will increase the speed of travel to the right.
- 4.3.18 **Zero Radius Turn...** Move one Steering Drive Control Lever forward and one Steering Drive Control Lever rearward. Left Zero Turn – Move Right Steering Drive Control Lever forward and Left Steering Drive Control Lever rearward. Right Zero Turn - Move Left Steering Drive Control Lever forward and Right Steering Drive Control Lever rearward.
- 4.3.19 **Stop or Decrease Travel Speed...** Move the Twin Stick Drive Control Levers in the opposite direction of travel. To stop, move both Twin Stick Drive Control Levers to the neutral position.
- 4.3.20 **Stop and Park...** With the Twin Stick Drive Control Levers in the neutral position, push the Drive Levers outward to the Neutral Lock position.

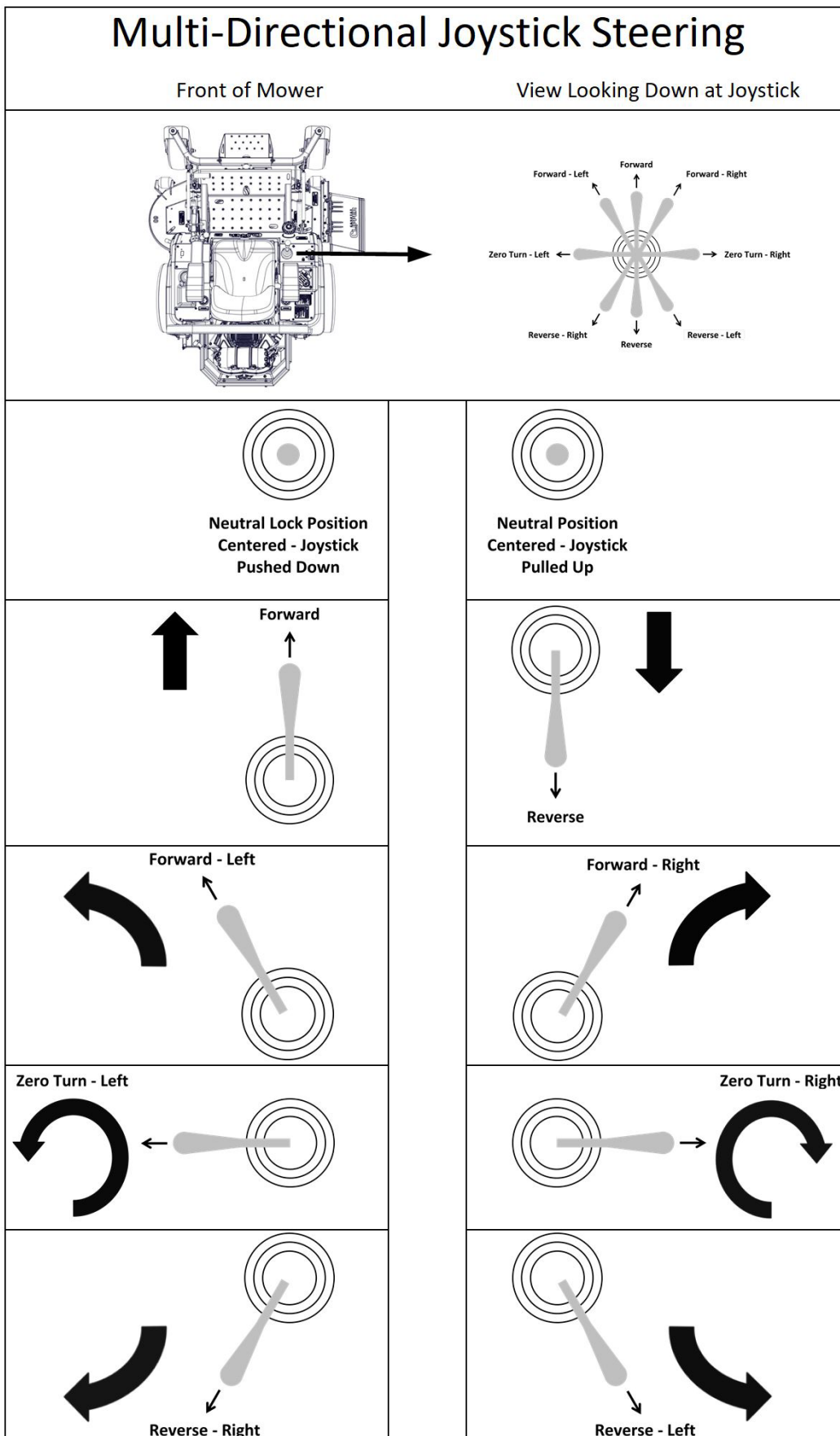
|  |                |
|--|----------------|
|   | <b>Warning</b> |
| <p>In case of steering control loss during operation of the mower; place the Steering Control Lever(s) in the neutral lock position, set the Park Brake, shut off the Blade Engagement Switch, and shut off the Ignition Switch. Inspect the machine and contact your Country Clipper dealer to resolve the issue before continuing operation.</p> |                |

## Deck Cut Height Adjustment

- 4.4 The Deck Cut Height is adjustable in ¼ inch increments from 1 ½ to 4 ½ inches to achieve your desired cut height. The Transport Latch is a two position latch; Engaged, will lock the deck in the transport position when raised with the Cut Height Adjust Lever, Disengaged will unlock the deck from the transport position and allow the deck to be lowered to the desired cut height position by the Cut Height Foot Pedal.
- 4.4.1 **Adjusting Cut Height...** With the Transport Latch engaged and the deck locked in the transport position, insert the Cut Height Pin into Cut Height Plate to the desired cut height. Pull the Cut Height Adjust Lever to lift the deck then lift the Transport Latch to disengage and slowly allow the deck to lower until the weight of the deck is supported by the Cut Height Pin.



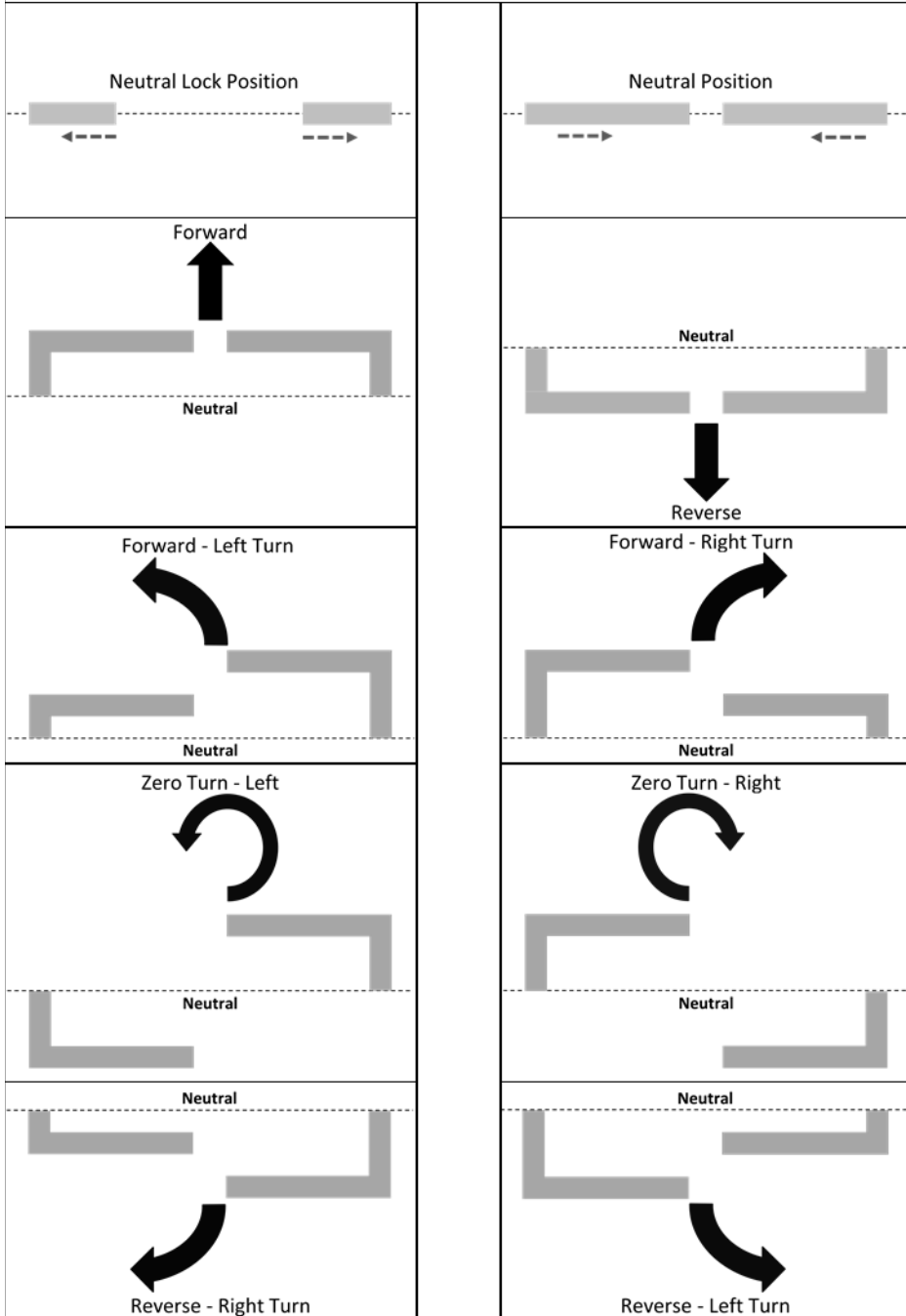
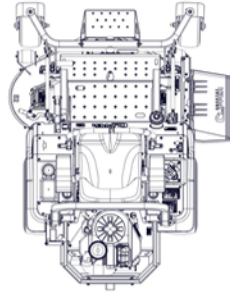
# Multi-Directional Joystick Steering



Section 4, Figure 1





# Twin Stick Steering

Front of Mower



Section 4, Figure 2

## Blade Engagement


|   |  |
|---|--|
|  | <b>Danger</b>  |
|   | KEEP HANDS AND FEET AWAY FROM ROTATING PARTS OR UNDER THE MACHINE. KEEP CLEAR OF THE DECK DISCHARGE AREA AND/OR BLADES WHILE OPERATING. DISENGAGE BLADES AND SHUT THE ENGINE OFF IF ANYONE ENTERS THE AREA.  |
|  | <b>Danger</b>  |
|   | NEVER OPERATE THE MACHINE WITHOUT THE DISCHARGE CHUTE, GRASS CATCHER, OR OTHER SAFETY DEVICES IN PLACE AND FUNCTIONING PROPERLY. NEVER DIRECT MOWER DISCHARGE TOWARD PEOPLE, ANIMALS OR OTHER OBSTRUCTIONS.  |
|  | <b>Warning</b>   |
|   | Disengage blades when not mowing. Shut off the engine and wait for all rotating parts to stop prior to cleaning, inspecting, servicing, removing grass catcher, and/or unclogging the discharge chute.   |
|  | <b>Important</b>   |
|   | Before initial use, the blade engagement clutch must be broken-in as follows: With engine at full RPM, engage deck until mower blades come to full speed and then disengage until mower blades come to a complete stop. Repeat 10 times to seat clutch properly. |

- 4.5 The Blade Engagement Switch is a two position switch: Pull up to engage the Electric Clutch that drives the deck blades, Push down to disengage the Electric Clutch. To maximize the life of the Electric Clutch follow these guidelines:
- 4.5.1 Only engage the clutch with the throttle approximately 2/3 to full throttle and no load on the deck blades. Allow the blades to come up to speed and move the throttle lever to full throttle prior to cutting grass. Avoid engaging the clutch when the deck is under heavy load (ex. tall grass, deck is plugged) Excessive loading can cause the belt(s) and/or Electric Clutch to slip, resulting in premature wear or possible damage.
  - 4.5.2 Disengage the Electric Clutch only when the throttle is set at less than ½ throttle. Never disengage the clutch with the engine running at full throttle. Disengaging the clutch at a higher rpm could reduce the life of the clutch.

## Mowing Recommendations

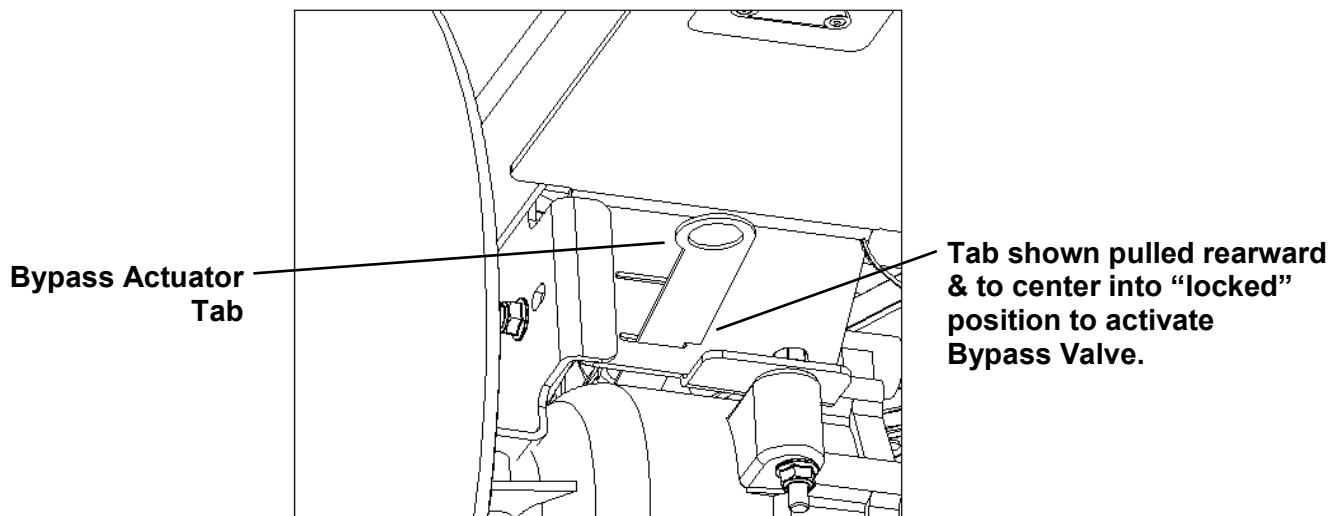
- 4.6 Prior to operating the mower, make sure you are thoroughly familiar with the proper use and operation of the equipment. The operator should read this manual completely and attempt slow moving maneuvering to become familiar with the operation of the mower before attempting normal speed operation.
- 4.6.1 **Oversteering...** Inexperienced operators may tend to oversteer and lose control. Practice steering maneuvers on a flat open area at low speed (Engine at ½ throttle or less) to become familiar with the steering characteristics of the mower before attempting full throttle operation.
  - 4.6.2 **Turning on Turf...** Avoid turf damage by keeping both wheels rolling either forward or reverse when turning. Turning or pivoting on one stopped wheel can damage turf, especially if the ground is soft due to excess moisture.
  - 4.6.3 **Mower Performance...** Your mower is designed for optimal performance when the engine is set at full throttle (Full RPM). The engine rpm directly controls the blade tip and drive wheel speeds. The best cut quality is normally achieved at the highest blade tip speed. Additionally, this gives maximum power to the drive wheels when needed. The drive control lever(s) should be used to control travel speed rather than engine rpm.

- 4.6.4 **Travel Speed...** Vary ground speed of mower to suite the turf conditions and terrain during the year. (i.e. slowdown in tall thick grass, on slopes, wet conditions, rough terrain etc.)
- 4.6.5 **Normal Mowing...** It is recommended to cut off only 1/3 of the grass blade to maintain a healthy lawn. When mowing an area for the first time it is recommended to cut the turf slightly higher to avoid scalping uneven terrain and to avoid unseen obstacles in the lawn. If the grass is taller than 6 inches it may require mowing twice to get the desired quality of cut.
- 4.6.6 **Turf Growth Rate...** Turf grows at different rates during the seasonal growing period. Turf usually experiences the greatest growth rate from early Spring to the start of Summer. During this period the grass may require more frequent mowing to maintain the desired appearance. As you move into Mid-Summer, less frequent mowing may be required. If regular mowing intervals cannot be maintained; mow at a higher cut height and then come back a couple days later and mow at the desired cut height.
- 4.6.7 **Alternate Cutting Direction...** Always alternate the mowing pattern to keep grass blades growing straight and to disperse grass clippings evenly throughout the lawn.
- 4.6.8 **Keep Blades Sharp...** Dull blades and improperly sharpened blades can cause cut quality issues. See Mower Blade Service for information and details on the proper maintenance of blades.

|   |                |
|---|----------------|
|    | <b>Warning</b> |
| <p>Never work with blades while engine is running and/or blade engagement switch is in the “on” position. Mower blades are sharp. Wear gloves or wrap the blade before handling and servicing them.</p> |                |

## Transmission Free Wheel Release

- 4.7 If the mower drive becomes inoperable, the mower can be moved by releasing the “Bypass Valve” on both transmissions which will allow the mower to free wheel. Bypassing the transmissions permits moving the mower for a short distance at a maximum of 2 mph (3.2 Km/h) without starting the engine.
  - 4.7.1 The Bypass Actuator can be located under the main frame inside the rear of each tire at the back of the mower. Activate by pulling the Bypass Actuator tab rearward and then move the tab to the center of the mower to lock in place via the notches on the tab. Both transmissions must be bypassed to move the mower. Deactivate by moving the Bypass Actuator tab outward and pushing forward back to the normal run position.




**Left Side Transmission**

# Mower Transportation

4.8 When transporting the mower from one location to another via a transport vehicle, follow the proceeding guidelines.

4.8.1 **Raise Deck and Latch in Transport...** Pull the cut height adjust lever to raise the deck into transport position and secure the transport latch into the engaged “lock” position.

|   |  |
|---|--|
|  | <b>Warning</b>   |
|   | Caution should be exercised when loading and unloading a mower on a trailer or transport vehicle. Depending on the trailer or transport vehicle; the ramp slope could cause loss of control or tip over. Use full width ramps for loading and unloading a machine for transport. |

4.8.2 **Load on Transport Vehicle...** Throttle the engine back to approximately ½ throttle and proceed up the loading ramp with caution.

4.8.3 **Set Park Brake...** Position the mower on the transport vehicle, set the Parking Brake, and shut the engine off.

4.8.4 **Tie Down Mower...** It is recommended that you tie down the rear and the front of the mower to the transport vehicle.

# Mower Storage

4.9 When storing the mower at the end of a mowing season, the mower, engine, and battery should have the following service before being stored.

4.9.1 **Clean Mower...** Remove grass, dirt, and debris from the mower and cutting deck. Important: Do not pressure wash the mower, especially near the control panel, engine, and/or components with bearing seals. Allow the mower to cool for 15 to 30 minutes prior to washing. Wash with a mild detergent and tap water. Avoid excessive water usage.

4.9.2 **Dry Mower...** Allow mower to dry completely before storing.


4.9.3 **Paint...** Touch up paint as necessary.

4.9.4 **Inspect Mower...** Inspect mower for any loose, worn, or damaged components. Tighten, replace, or repair as required. Contact your Country Clipper dealer for parts, assistance, or to schedule a service appointment.

4.9.5 **Service Mower...** Thoroughly lubricate and service per maintenance schedule, Section 5.

4.9.6 **Fuel...** Drain fuel from fuel tank and run engine until it stops due to lack of fuel.

4.9.7 **Battery...** Remove battery from the mower, clean terminals, and cable connectors. Charge the battery if necessary. Store the battery in a cool dry place. Keep the battery fully charged to prevent battery damage when the temperature is below 32°F (0°C).

|   |   |
|---|---|
|  | <b>Warning</b>  |
|   | Charge battery in a well ventilated area; away from ignition sources. When connecting and disconnecting the charger to the battery, unplug the charger from the outlet. |



4.9.8 **Storage...** Store the mower in a clean dry place.

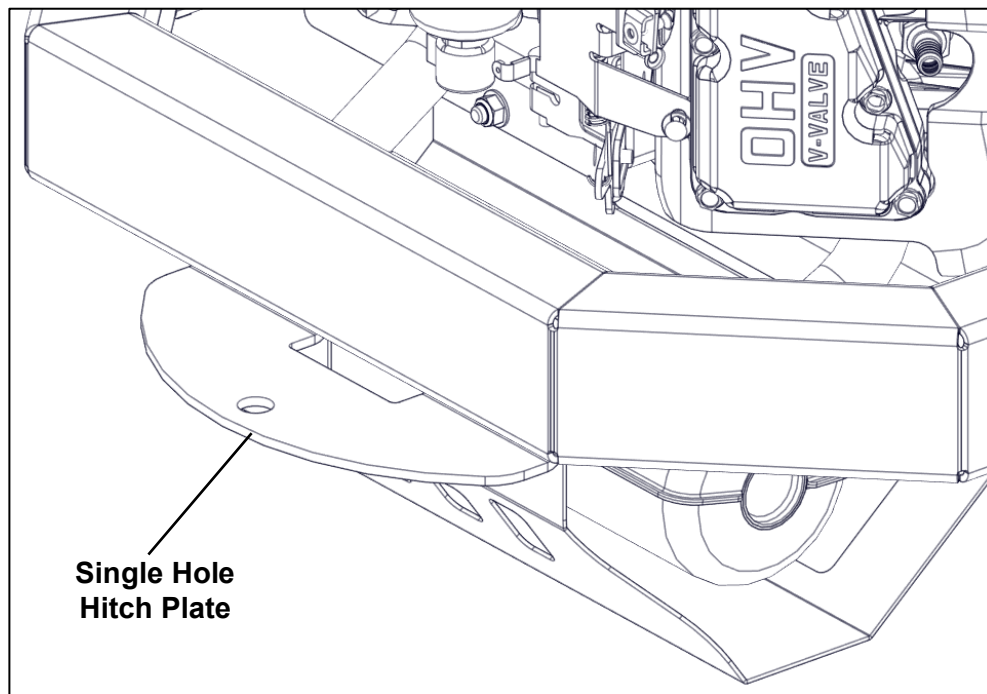
## Preseason Mower Prep

- 4.10 When preparing the mower for a new season, reinstall the battery and perform the Pre-Operation Checklist at the beginning of this section or contact your Country Clipper Dealer to schedule a pre-season service appointment.


## Mower Towing

- 4.11 The mower is equipped with single hole Hitch Plate.
- 4.11.1 **Max Pulling Weight...** The recommended maximum pulling capacity is 200 lbs.
- 4.11.2 **Max Tongue Weight...** The recommended maximum tongue weight is 35 lbs.

|   |   |
|---|---|
|  | <b>Warning</b>  |
|   | Use extreme caution when towing on slopes; additional weight may cause loss of traction and control. Minimize travel speed to assist in maintaining control of towed implement. |
|  | <b>Warning</b>  |
|   | Do not attempt a zero-turn with a towed implement.  |



## Section 5... Maintenance

|   |  |
|---|--|
|  | <b>Warning</b>   |
|   | Observe all common shop safety practices when inspecting, servicing, and repairing equipment. Use of the appropriate Personnel Protective Equipment (PPE) is required. |


## Maintenance Schedule


| Maintenance  | Each Use | First 5 Hours | First 75 Hours | Every 50 Hours or Annually* | Every 100 Hours or Annually* | Every 400 Hours | Service Section               |
|--|----------|---------------|----------------|-----------------------------|------------------------------|-----------------|-------------------------------|
| Check Engine Oil Level   | •        |               |                |                             |                              |                 | Engine Owner Manual           |
| Check Engine Air Filter  | •        |               |                |                             |                              |                 | Engine Owner Manual           |
| Service Engine   |          | •             |                |                             | •                            |                 | Engine Owner Manual           |
| Check Condition of Mower Blades (Sharpen as Required)          | ◆        |               |                |                             |                              |                 | Mower Blade Service, 5.9      |
| Check Tire Pressure (Recommended 12 Psi/ 83 kPa, Frt & Rr)     | ◆        |               |                |                             |                              |                 | Tires, 5.5                    |
| Check Belts for Wear and Proper Alignment                      | ◆        |               |                |                             |                              |                 | Belts, 5.5                    |
| Check for Fuel & Oil Leakage                                   | ◆        |               |                |                             |                              |                 | Maintenance, 5                |
| Clean Debris & Grass from Mower (Clean as Necessary)           | ◆        |               |                |                             |                              |                 | Mower Storage, 4.9            |
| Check for Loose Hardware (Tighten as Required)                 | ◆        |               |                |                             |                              |                 | Maintenance, 5                |
| Check Operator Presence Control System                         | ◆        |               |                |                             |                              |                 | Safety Interlock System, 2.4  |
| Grease Front Caster Pivot (If Equipped)                        |          | ◆             |                | ◆                           |                              |                 | Grease Points, 5.4            |
| Grease Front Caster Wheels (If Equipped)                       |          | ◆             |                | ◆                           |                              |                 |                               |
| Grease Joystick Detent Latch                                   |          |               |                | ◆                           |                              |                 |                               |
| Check Wheel Lug Nuts (75 ft/lbs or 102 Nm)                     |          | ◆             |                | ◆                           |                              |                 | Tires, 5.5                    |
| Change Hydraulic Transaxle Drive Oil & Filter (Boulevard Only) |          |               | ◆              |                             |                              | ◆               | Hydraulic Drive Service, 5.11 |
| Check Hydraulic Transaxle Drive Oil Level (Boulevard Only)     |          | ◆             |                | ◆                           |                              |                 |                               |
| Check Engine Rpm (Kawasaki. 3300 ± 100) (Kohler 3300 ± 75)     |          |               |                | ◆                           |                              |                 | Dealer                        |
| Check Deck Level   |          |               |                |                             | ◆                            |                 | Deck Leveling Adj., 5.16      |


\* Maintenance by hours or annually, whichever occurs first.

• See engine owner's manual for specific manufacture recommendations for service requirements and frequency. (Increase Service Frequency under sever operating conditions.)

Contact your **Country Clipper Dealer** for service assistance or to schedule maintenance with the dealer.

|   |  |
|---|--|
|  | <b>Danger</b>  |
|   | <b>SHUT OFF THE ENGINE AND WAIT FOR ALL ROTATING PARTS TO STOP. ROTATING PARTS CAN CAUSE SEVERE INJURY OR DEATH.</b> |

|   |  |
|---|--|
|  | <b>Danger</b>  |
|   | <b>ENGINE EXHUAST GASES CONTAIN POISONOUS CARBON MONOXIDE. CARBON MONOXIDE IS ODERLESS, COLORLESS, AND CAN CAUSE DEATH IF INHALED.</b> |

|   |  |
|---|--|
|  | <b>Danger</b>  |
|   | <b>GASOLINE IS EXTREMELY FLAMMABLE AND ITS VAPORS CAN EXPLODE IF IGNITED. STORE GASOLINE ONLY IN APPROVED CONTAINERS, IN WELL VENTILATED, UNOCCUPIED BUILDINGS, AND AWAY FROM SPARKS OR FLAMES. SPILLED FUEL COULD IGNITE IF IT COMES IN CONTACT WITH HOT PARTS OR SPARKS FROM IGNITION.</b> |



# Maintenance Introduction






Regular maintenance is the best method to avoid costly downtime, expenses, and premature repair. Following the service recommendations and intervals, on a routine basis, will help maintain your mower at its optimum performance.

When operating, remain alert for unusual noises which could signal a problem. Visually inspect the mower for any abnormal wear, leaks, or damage. The best time to detect potential issues is while performing scheduled maintenance service.

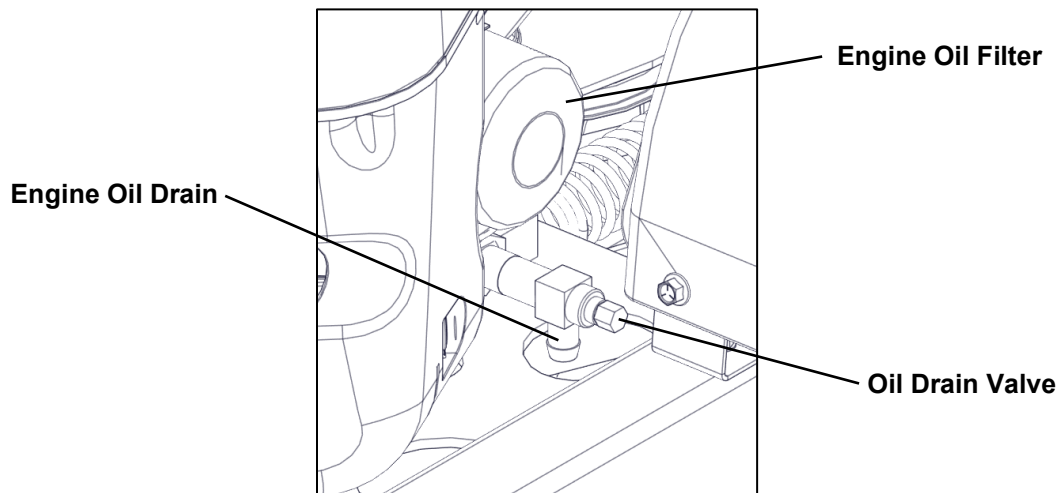
Keep the mower clear of heavy build-up of grease, oil, and debris, especially in the engine compartment and under the seat platform areas. Inspect daily for grass clippings, wire, and/or string tangles. The underside of the mower deck will collect a build-up of grass clippings and dirt, especially when grass is wet or has high moisture content. This build-up will harden, restricting blade and air movement and will probably show a poorer quality of cutting. Routine removal of this build up is crucial for optimal mower performance. Some repairs will require assistance from a trained service mechanic and should not be attempted by unskilled personnel. Contact your Authorized Country Clipper Dealer when assistance is needed or to schedule maintenance at the dealership.

## Engine Maintenance

5.1 **Check Engine Oil** daily or after every 4 hours of use. Refer to the manufacture’s engine manual for the maintenance schedule, oil recommendations, and capacity. **IMPORTANT:** Change engine oil and filter within the first 5 hours of operation and thereafter per the engine manufacture’s recommendations.

|   |   |
|---|---|
|    | <p style="text-align: center;"><b>Danger</b></p> <p><b>DISCONNECT AND GROUND SPARK PLUG LEADS AND DISCONNECT NEGATIVE BATTERY LEAD PRIOR TO CLEANING, INSPECTING, AND/OR SERVICING. ACCIDENTAL STARTS CAN CAUSE SEVERE INJURY.</b></p>  |
|  | <p style="text-align: center;"><b>Danger</b></p> <p><b>HIGH PRESSURE FLUIDS CAN PUNCTURE SKIN AND CAUSE SEVERE INJURY OR DEATH. DO NOT WORK ON HIGH PRESURE FUEL SYSTEM WITHOUT PROPER TRAINING AND SAFETY EQUIPMENT. FLUID PUNCTURE INJURIES CAN BE HIGHLY TOXIC AND HAZARDOUS. SEEK MEDICAL CARE IF AN INJURY OCCURS.</b></p> |
|  | <p style="text-align: center;"><b>Danger</b></p> <p><b>HOT PARTS CAN CAUSE SEVERE BURNS. DO NOT TOUCH ENGINE WHILE OPERATING OR JUST AFTER STOPPING. NEVER OPERATE WITH HEAT SHIELDS OR GUARDS REMOVED.</b></p>   |
|  | <p style="text-align: center;"><b>Warning</b></p> <p>Wear the appropriate Personal Protective Equipment (PPE) when servicing the mower. It is required that the servicing personnel wear protective eyewear, hearing protection, hand protection and foot protection.</p>   |
|  | <p style="text-align: center;"><b>Warning</b></p> <p>Electrical shock can cause injury. Do not touch wires while engine is running.</p>   |

- 5.1.1 **Oil Drain...** Locate the engine oil drain on the right side of the engine.
- 5.1.2 **Oil Container...** Position oil container under the drain spout.
- 5.1.3 **Drain Valve...** Turn the drain valve counterclockwise until a steady flow of oil comes out of the drain spout. Allow the oil to drain for 10 min. for adequate draining.
- 5.1.4 **Oil Filter...** Remove the oil filter, located near the oil drain.



- 5.1.5 **Close Drain & Install Filter...** After the oil has drained, turn the drain valve clockwise to close the valve. Install a new oil filter.
- 5.1.6 **Clean Up...** Clean up any spills or drips and remove the used oil container.
- 5.1.7 **Refill Engine Crankcase...** Refill per the manufacture's recommendations.
- 5.1.8 **Check Work...** Make sure that the oil drain valve is shut completely and the oil filter and dipstick are secure.
- 5.1.9 **Air Filter...** Check the engine air filter before each use. Examine for dirt and debris build-up on the filter. Replace as required. Follow the engine manufacture's recommendations.
- 5.1.10 **Remove Air Filter...** Remove air cleaner cover and filter element from mower.
- 5.1.11 **Install Filter...** Install a new filter and re-install the air cleaner cover. Check to make sure the air cleaner cover sealed and is secure.
- 5.1.12 **Check Air Cleaner Assembly...** Check all fittings and clamps periodically for tightness and inspect hoses for holes or cracks. Make sure there is no path for dirt ingestion into the engine.
- 5.1.13 **IMPORTANT...** Do not operate engine without the air filter in place. Do not clean the filter element, replace with a new filter only. Improper cleaning of used air filter elements can get dust on the inside of the filter causing dirt ingestion and engine failure.
- 5.1.14 **Fuel Filter...** Refer to engine owner's manual for schedule and procedure for replacing.
- 5.1.15 **Spark Plugs...** Refer to engine owner's manual for schedule and procedure for replacing.
- 5.1.16 **Engine Cleaning...** Proper engine cooling is essential. To prevent overheating, clean screens, cooling fins, and other external surfaces of engine. See engine owner's manual for specific requirements.

# Grease Points

5.2 Country Clipper has designed your mower to minimize the required grease points. Some components utilize sealed bearings, others utilize self-lubricating bushings. However, there are a few locations that require to be greased. These are shown below.

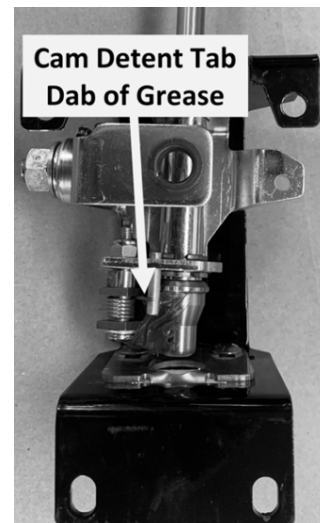
5.2.1 **Caster Wheels...(Boulevard Only)** The grease zerk for the front caster wheel is located on the tire rim hub. There is a zerk located on each caster wheel. Re-lubrication should be at a rate of 10 pumps of NLGI #2 grease every 50hrs or annually.



5.2.2 **Caster Pivot...** The caster pivot grease zerk is located on the front axle caster pivot tube. There is a zerk located on each front caster pivot tube. Re-lubrication should be at a rate of 5 pumps of NLGI #2 grease every 50hrs or annually.




5.2.3 **Joystick...** Locate the cam detent tab on the joystick assembly. Place a dab of NLGI #2 grease on the tab every 50 hours or annually.




# Tires

- 5.3 It is important that the proper tire pressure is maintained to obtain a level cut. Improper tire inflation will affect the deck level and quality of cut. Normally the tire inflation should be equal for all tires but there are instances that the tire inflation can be varied to obtain optimum cut quality.
- 5.3.1 **Recommend Tire Pressures...** Check tire inflation before each use.  
 Rear Drive Tires..... 10 to 16 PSI / 69 to 110 kPa (Recommended 12 PSI / 83 kPa)  
 Front Caster Tires..... 10 to 16 PSI / 69 to 110 kPa (Recommended 12 PSI / 83 kPa)
- 5.3.2 **Rear Drive Tire Lug Nuts...** Country Clipper recommends that the lug nut torque be checked within the first 5 hrs of initial operation, thereafter every 50 hours. Repeat inspection process following the removal of tires for replacement or repair.  
 Wheel Lug Nut Torque..... 75 ft/lbs (102 Nm)

|   |   |
|---|---|
|  | <b>Warning</b>  |
|   | Attention must be given to inspecting the Drive Tire Lug Nuts for proper torque. Failure to correctly torque the nuts can result in the loss of a wheel, which can result in the loss of control of the mower. This is especially important when operating on slopes. |


# Belts

- 5.4 Belts should be inspected frequently for wear and serviceability. Belts showing signs of severe cuts, tears, separation, weather checking, cracking, and/or burns caused by slipping should be replaced. Slight raveling of belt covering does not indicate failure; trim the raveling/s from the belt. Additionally, the pulley grooves and flanges should be inspected for wear. A V-belt in good condition should never run against the bottom of the groove. If this is the case the pulley should be replaced, otherwise the belt will slip excessively. Excessive belt slip will cause loss of power and premature belt failure. Keep oil and grease away from belts. These compounds will deteriorate the belt composition in a short time.

|   |  |
|---|--|
|  | <b>Warning</b>   |
|   | If the Hydrostatic Transaxle Drive Belt fails, loss of drive control will occur; especially when operating on a slope. If this occurs while operating the mower, place the Drive Control Lever(s) in Neutral Lock position, set the Park Brake, and turn the engine off. Inspect machine for cause and contact your Country Clipper dealer to remedy the issue before continuing |

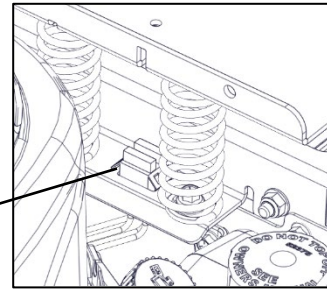
# Electrical System

- 5.5 Your Country Clipper mower is a 12 volt, negative ground system.
- 5.5.1 **Battery...** Country Clipper uses a 12 volt maintenance free battery with 190 Cold Cranking Amps (CCA). When a replacement is required use the same or equivalent specification.
- 5.5.2 **Battery Cleaning...** Keeping the terminals and the battery case clean will help to extend the life of the battery. Battery cleaners are available or you can use a mixture of baking soda and water; use to clean the terminals, cables and the battery case. Once the acid is neutralized, rinse the battery with water. After cleaning the terminals and cables with a wire brush, reinstall the battery cables and use a terminal protector spray to protect the terminals from future corrosion.

|   |   |
|---|---|
|  | <b>Warning</b>  |
|   | Avoid eye, skin, and clothing contact with battery acid. Acid can cause serious injury. Always wear eye and hand personnel protective equipment. If contact occurs, flush area with clean water and get medical attention. When charging the battery, keep away from ignition sources. Hydrogen gas forms in the battery; the gas is toxic and explosive. Always remove the negative ground first and reinstall last. |

- 5.5.3 **Electrical Fuse...** Country Clipper uses two 30 Amp Fuses to protect the electrical system. The fuses are located under the seat between the seat springs. The fuses protect the electric system from a direct short to ground.

Electrical System Fuses



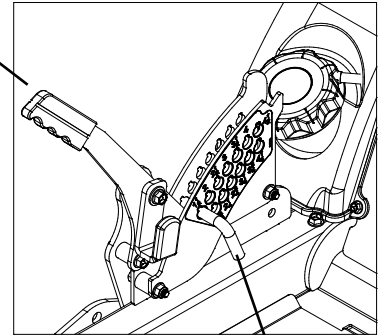
## Deck Service

- 5.6 Your Country Clipper mower has been designed with a Stand-Up Deck feature to allow you access to the underside of your deck for cleaning and routine maintenance. All 42", 48", 54" & 60" deck models come standard with the Manual Lift option.

### Manual Deck Lift Procedure (Service Position)

- 5.6.1 **Step 1. Position The Mower...** Standing up the deck must be done on a hard level surface. When positioning the mower on the hard surface, back up the mower so the Front Caster Tires swing away from the deck. Turn the engine off, and remove the key.
- 5.6.2 **Step 2. Cut Height Adjust Lever...** Pull the Cut Height Adjust Lever back to release pressure on Cut Height Pin.
- 5.6.3 **Step 3. Lower Deck to Ground Surface...** Remove the Cut Height Pin from the Cut Height Selector plate. Push the Cut Height Adjust Lever forward to lower the deck so it is resting on the ground surface.
- 5.6.4 **Step 4. Lock Deck in Lowest Position...** Push the Cut Height Adjust Lever forward all the way down passed the lowest cut height position and re-insert the Cut Height Pin in the Cut Height Selector plate so the Adjust Lever is locked down as shown. (Note: This takes a fair amount of effort)

Cut Height Adjust Lever



Cut Height Pin in lowest cut position



### Warning

The Cut Height Adjust Lever is a Stored Energy Device when being locked down to stand up the deck and during the unlock process. Use extreme caution when performing this procedure. Keep bystanders clear of the area.

- 5.6.5 **Step 6. Release Deck Belt Tension & Disconnect Belt...** Locate the Deck Belt Tension Lever at the rear of the deck on the trim side. Release the belt tension by slowly rotating the lever to remove the spring tension. With the tension removed on the belt, reach under the rear of the mower and remove the deck belt from the clutch pulley on the engine crank shaft.



### Warning

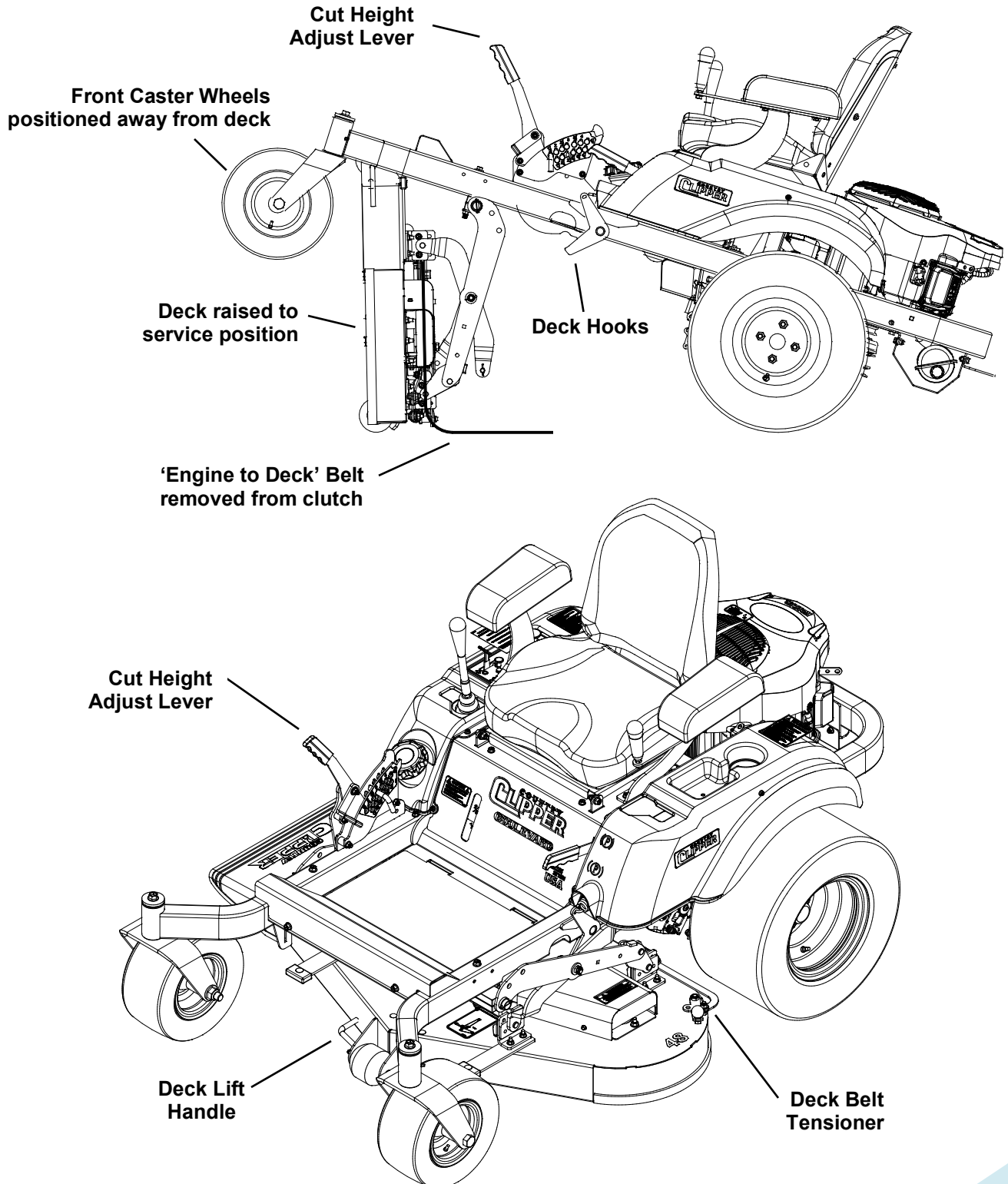
Do not attempt to flip deck without releasing deck belt from clutch pulley on the engine!





## Warning


Never attempt to stand the deck up without the Cut Height Adjust Lever all the way forward and locked in place with the Cut Height Pin. When properly done, the Deck Hooks will be released from the deck.

- 5.6.6 **Step 7. Stand Up Deck...** Use the lift handle located in the center of the front edge of the deck to lift the nose of the deck up. Lift until the deck is fully upright and is “Over-Center” so it locks in place. Set the Parking Brake.



|   |   |
|---|---|
|  | <b>Warning</b>  |
|   | Manually lifting the deck can be very strenuous. Use proper lifting techniques, lift with hips and knees (not your back). Adding a counter balance at the rear of the mower can reduce the effort. Keep bystanders clear of the area. |

|   |   |
|---|---|
|  | <b>Danger</b>   |
|   | <b>TO AVOID SERIOUS INJURY OR DEATH, KEEP HANDS, FEET, AND BODY PARTS AWAY FROM LIFT MECHANISM, DECK, AND REAR OF TRACTOR DURING LIFT <u>TO</u> AND <u>FROM SERVICING POSITION</u>.</b> |

|   |   |
|---|---|
|  | <b>Warning</b>  |
|   | Check stability before servicing underside of the deck. Make sure Park Brake is on and the key is out of the Ignition Switch. |




**Manual Deck Lowering (Mowing Position)**

- 5.6.7 **Step 1. Lower Deck...** While holding the lift handle, push the rear of the deck rearward towards the drive tires, lower deck until it rests on the ground surface.
- 5.6.8 **Step 2. Un-Lock Deck from Lowest Position...** Push the Cut Height Adjust Lever to the most rearward position and remove the Cut Height Pin in the Cut Height Selector plate. (Note: This takes a fair amount of effort.)
- 5.6.9 **Step 3. Raise Deck...** Raise the deck up to the transport position and lock in place with the transport latch. Make sure both Deck Hooks re-connect to the Deck Pins.
- 5.6.10 **Step 4. Reconnect Deck Drive Belt...** Re-install deck drive belt to the Electric Clutch Pulley. Check to make sure the belt routing is not impeded by the frame, transaxles, or other mower components. Additionally, ensure the belt is properly installed on all the deck pulleys and idlers. Slowly rotate Deck Belt Tension Lever and re-apply the spring tension to the belt.
- 5.6.11 **Step 6. Cut Height Pin...** Re-insert the Cut Height Pin to the desired cut height.
- 5.6.12 **Step 7. Lower Deck to Cut Height...** Lower deck to desired cut height and position.

# Mower Blade Service

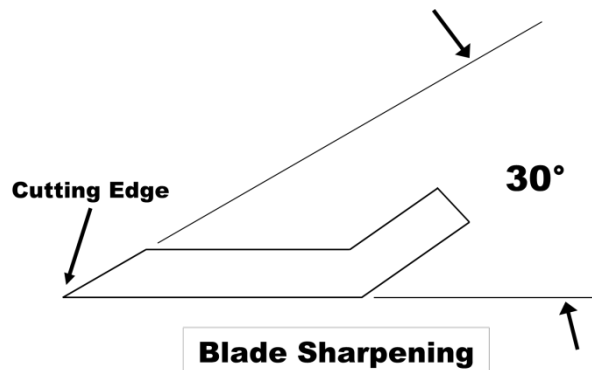
5.7 Mower blade sharpness should be checked daily or prior to each usage. A sharp blade in good condition is essential in obtaining an efficient quality of cut. A dull worn blade will tear the grass instead of cutting the grass, potentially leaving a brown ragged top on the grass within a few hours. Dull blades also require more power to operate.

5.7.1 **Damaged Blade...** Any blade which is bent, cracked or broken must be replaced.

|   |   |
|---|---|
|  | <b>Warning</b>  |
|   | Make sure the Ignition and Blade Engagement Switches are off, Drive Lever(s) in neutral lock, Brake on, and Negative battery cable disconnected prior to servicing.   |
|  | <b>Warning</b>  |
|   | Never attempt to straighten a bent blade by heating, or weld a cracked or broken blade as the blade may break and cause serious injury. Replace worn or damaged blades.   |
|  | <b>Warning</b>  |
|   | Wear the appropriate Personal Protective Equipment (PPE) when operating and/or servicing the mower. It is required that the operator or servicing personnel wear protective eye wear, hearing protection, hand protection and/or foot protection. |

5.7.2 **Blade Removal...** Remove the 5/8 inch blade bolt using a 15/16 inch wrench. The blade spindle can be held from turning by using by blocking the blade rotation with a block of wood.

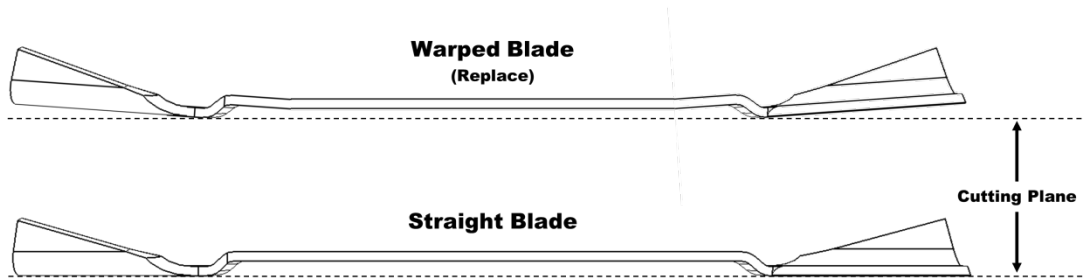
5.7.3 **Blade Sharpening...** The blades can be sharpened with a grinder or touched up with a file. Note the angle of the cutting edge and try to maintain when sharpening.



5.7.4 **Blade Balance...** Check the blade balance after sharpening. There are a variety of blade balancing techniques and commercial blade balancing tools available through a majority of hardware supply stores. If the blade is out of balance, true it up before re-installing.

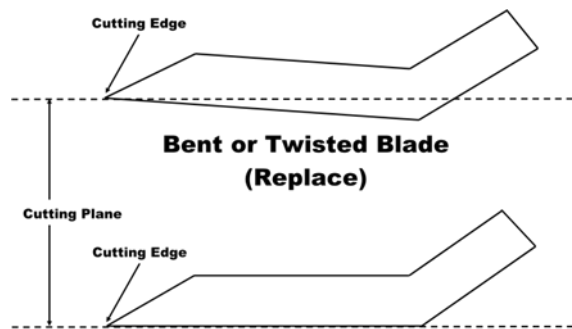
5.7.5 **Blade Straightness...** Lay the blade on a flat surface and check to make sure both cutting edges are in the same cutting plane. Replace blade if warped or distorted.





**Warped vs. Straight**

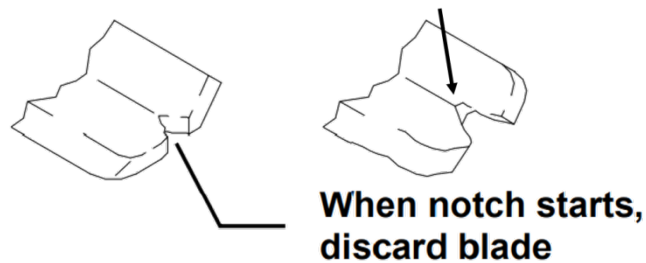
- 5.7.6 **Twisted Blade...** Also check the blade for twisting when placed on the flat surface. Replace blade if twisted or distorted.




**End View of Blade  
(Twisted vs. Straight)**

- 5.7.7 **Blade Wear...** Blades should be discarded if excessive wear, cracks, and/or distortion are present.

**Dangerous... excessive wear, replace blade.**



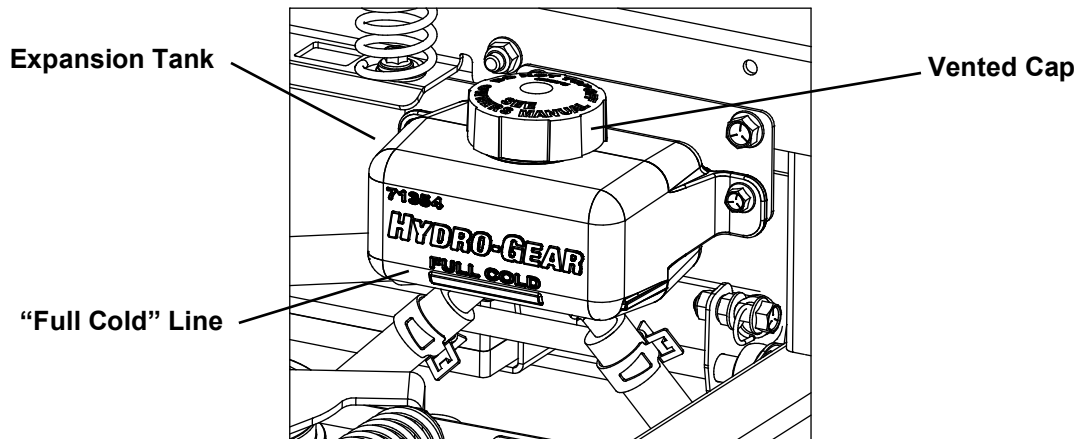
- 5.7.8 **Re-Install Blades...** Install blade and bolt to spindle assembly. Torque blade bolt to 100 ft-lbs (136 Nm).

|   |   |
|---|---|
|  | <b>DANGER</b>   |
|   | <p><b>FAILURE TO CORRECTLY TORQUE THE BLADE BOLT MAY RESULT IN THE LOSS OF THE BLADE WHICH CAN CAUSE SERIOUS INJURY OR DEATH.</b></p> |

## Hydraulic Drive Service (Boulevard Only)

5.8 Regular external maintenance of the Hydraulic Transaxle drives will ensure proper cooling of the hydraulic system. Maintenance should include the following:

- 5.8.1 **Oil Level...** Inspect the oil level by locating the expansion tank behind the operator seat. The oil level should be at the "Full Cold" line. If required, add oil until the oil level reaches the "Full Cold" line. Never fill the expansion above the "Full Cold" line. The expansion tank's primary purpose is to allow heated oil to expand. If the tank is over filled, there is a potential during operation the oil will expand enough to spill out of the cap.



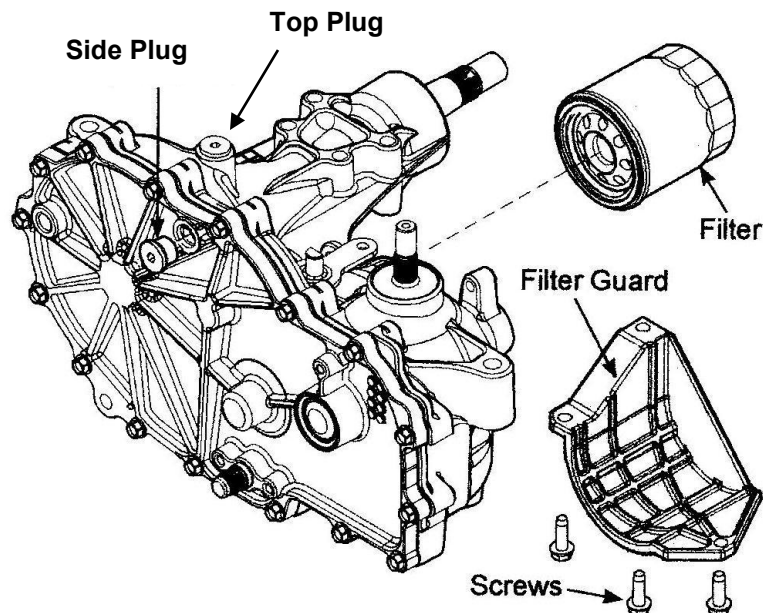
- 5.8.2 **Oil Recommendation...** Use a 20W-50 engine oil with an API classification of SL has been selected by the manufacture and is recommended for normal operating temperatures.

Oil Volume: Approximately 2 quarts (each transaxle)

- 5.8.3 **Fluid Change Recommendation...** To ensure constant fluid quality levels and longer life; an initial oil and filter change at 75 hours is recommended. Subsequent changes are recommended at 400 hr. intervals minimum.

### Fluid Change Procedure

- 5.8.4 **Service Position...** Position the mower on a level surface, engage the park brake, and apply the Bypass Actuator. Thoroughly clean the transaxles around the fill plugs and the oil filters before removing.
- 5.8.5 **Drain Oil...** Place an oil drain pan (12 inch or more in diameter and 5 qt. capacity is optimal) beneath the transaxles. Remove the oil filter guards and oil filters from each transaxle to drain oil.



- 5.8.6 **Plugs...** Remove the top plug on the right side transaxle (Torque to 180 in-lbs) and remove the side plug on the left side transaxle.
- 5.8.7 **Install New Filter...** After all the oil is drained out, replace the filters (use part H-2567 when ordering from Country Clipper). Wipe off the filter base surface, apply a film of new oil to the gasket of the new filter and hand tighten  $\frac{3}{4}$  to one full turn after the filter gasket contacts the filter base surface.
- 5.8.8 **Fill Transaxle...** Fill the transaxles with new 20W-50 motor oil through the expansion tank. When the oil level in the transaxle reaches the top or side plug port reinstall the plug and continue filling until the "Full Cold" line is reached on the expansion tank. Refilling both transaxles will take approximately 4 quarts of oil.
- 5.8.9 **Purge Procedure...** Trapped air must be removed from the hydrostatic drive system to achieve optimum operation and longevity of the drive. Air creates inefficiency because its compression and expansion rate are higher than that of the oil approved for use in hydrostatic drive system.
- 5.8.10 **Drive Wheels Off Ground...** Raise the rear drive wheels off the ground for the initial air purging.
- 5.8.11 **Activate Bypass...** Activate the Bypass to allow the drive tire to free wheel.
- 5.8.12 **Start Engine...** Start the engine and move throttle to  $\frac{3}{4}$  to full throttle operation.
- 5.8.13 **Activate Drive Lever(s)...** Slowly operate the drive lever(s) in both forward and reverse directions 5 to 10 times.
- 5.8.14 **Check Oil Level...** Check oil level; add oil as required after stopping the engine.
- 5.8.15 **Repeat As Necessary...** Repeat steps as necessary until all air is purged from the system.
- 5.8.16 **De-Activate Bypass...** De-Activate the Bypass to allow normal drive wheel operation.
- 5.8.17 **Activate Drive Lever(s)...** Slowly operate the drive lever(s) in both forward and reverse directions 5 to 10 times.
- 5.8.18 **Check Oil Level...** Check oil level; add oil as required after stopping the engine.
- 5.8.19 **Drive Wheels on Ground...** Lower the rear drive wheels to the ground.
- 5.8.20 **Normal Operation...** Operate the mower for 30 to 60 minutes under normal driving conditions and re-check the oil level. Add oil as required.

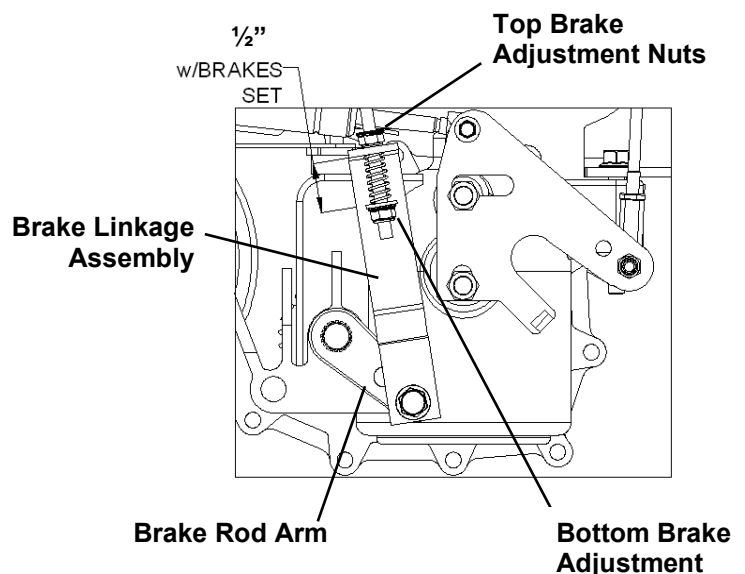
**Note:** Any servicing dealer attempting a warranty repair must have prior approval before conducting maintenance of a Hydro-Gear product unless the servicing dealer is a current Authorized Hydro-Gear Service Center.

## Standard Operation Adjustments

5.9 Periodically adjustments may be required to maintain certain operating parameters or for operator preference. The following section will provide details on how to make these adjustments.

### Park Brake Adjustment

- 5.9.1 **Disengage Park Brake...** Push the brake handle down to disengage the Park Brake.
- 5.9.2 **Adjustment Nut...** Adjust the top brake Adjustment Nut down or up so that the Brake Rod Arm is fully extended downward
- 5.9.3 **Engage Park Brake...** Pull the brake handle up to engage the Park Brake.
- 5.9.4 **Adjust Compression Spring...** Adjust the Bottom Adjustment Nut so that the compression spring is compressed to  $\frac{1}{2}$ ".
- 5.9.5 **Adjust Both Linkages...** Repeat the adjustment on the other side.



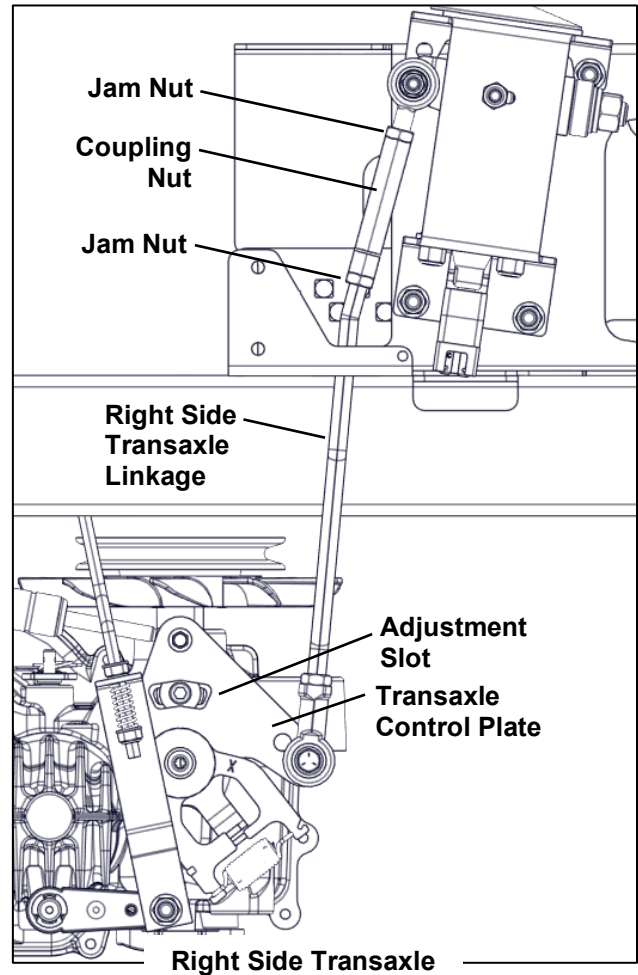
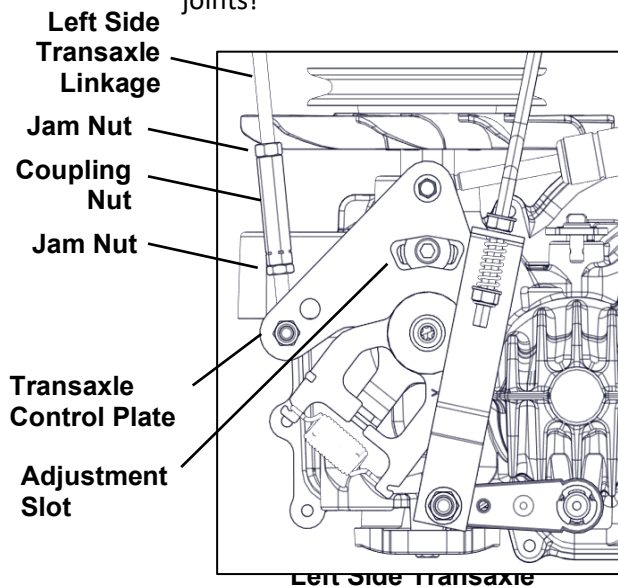
## Joystick Forward Tracking & Speed Adjustment

(Always confirm tire pressure setting before making adjustment)

- 5.9.6 **Locate Mower on Hard Level Surface...** Locate mower on a hard level surface, engage Park Brake and shut the engine off.
- 5.9.7 **Remove Right Side Fender...** Remove Right Side Fender to access the Right Side transaxle linkage coupling nut.

- 5.9.8 **Control Linkage Adjustment...** linkages that attach to the transaxle control plates will be adjusted to set the full speed and tracking. Loosen the jam nuts on both ends of the coupling nut and back the jam nut away from the coupling nut. (One of the jam nuts is left-hand thread.)

**Note:** Use two wrenches (one on the nut and one on the coupling nut or rod end housing) when loosening or tightening jam nuts to prevent damaging the rod end ball joints!

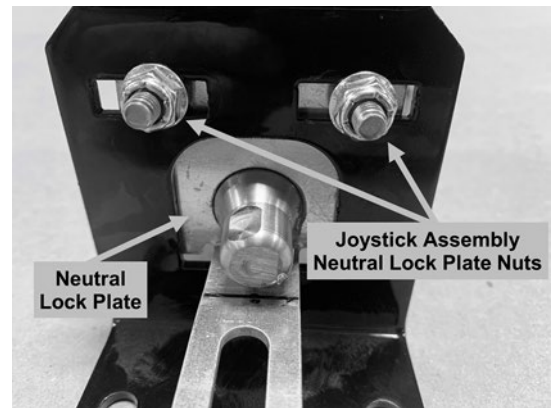


- 5.9.9 **Lengthen Linkages...** Lengthen both linkages by turning the coupling nut several turns to make sure that the transaxle cannot bottom out in the adjustment slot when the Joystick is in the full speed forward position.
- 5.9.10 **Shorten Right Side Transaxle Linkage...** Hold the Joystick Control Lever firmly in the full speed forward position, shorten the linkage to the right side transaxle by rotating the coupling nut until the transaxle control plate just contacts the end of the adjustment slot. (This may require the help of a second person).
- 5.9.11 **Set the Right Side Transaxle Linkage Length...** Rotate the Coupling Nut exactly one full turn to lengthen the right side linkage; retighten the Jam Nuts. When retightening make sure that the ball joints on both top and bottom are aligned so that they do not bind up when moving the Joystick Drive Control Lever to the extremes of its travel.
- 5.9.12 **Shorten Left Side Transaxle Linkage...** Hold the Joystick Control Lever firmly in the full speed forward position, shorten the linkage to the left side transaxle by rotating the coupling nut until the transaxle control plate just contacts the end of the adjustment slot. (This may require the help of a second person).

- 5.9.13 **Set the Left Side Transaxle Linkage Length...** Rotate the linkage exactly one full turn longer and retighten the jam nuts. Use two wrenches and make sure the ball joints on each end are aligned so that they do not bind up when moving the joystick lever to the extremes of its travel.
- 5.9.14 **Test Drive Mower...** Operate mower at full forward travel; if mower drives straight no further adjustment is required, if the mower veers to the left, the right side transaxle needs to be slowed down, if the mower veers to the right, the left side transaxle needs to be slowed down.
- 5.9.15 **Adjust Full Forward Tracking...** Determine which transaxle needs to be slowed down to obtain straight forward travel. With the engine shut off, make small ¼ turn adjustments to lengthen the linkage on the side that needs to be slowed down. Test drive and repeat adjustment until the mower is traveling straight forward. (Caution – tracking adjustment could affect Neutral Lock Adjustment.)

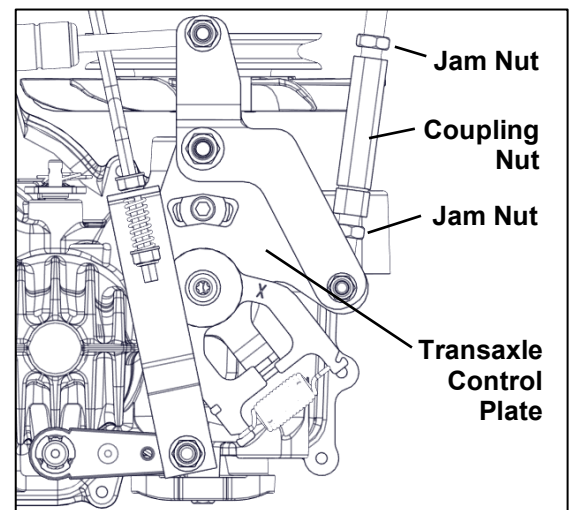
### Joystick Neutral Lock Adjustment

- 5.9.16 **Set Neutral Lock Position...** If the mower moves or travels with the engine running and the Joystick Lever is in the Neutral Lock Position, the Neutral Lock position needs adjusted.
- 5.9.17 **Drive Wheels Off Ground ...** Shut the engine off and raise the rear drive wheels off the ground, secure mower on blocks or jack stands.
- 5.9.18 **Loosen Neutral Lock Plate Nuts...** Locate the Neutral Lock Plate nuts on the bottom of the Joystick Assembly. Loosen the two nuts just enough to allow the plate to move.
- 5.9.19 **Adjust Neutral Plate...** Start the engine. With the Joystick Lever in the Neutral Lock Position, grab the Joystick Lever and adjust the position of the Neutral Lock Plate so both wheels are stationary.
- 5.9.20 **Tighten Neutral Lock Plate Nuts...** Retighten the Neutral Lock Plate Nuts; be careful not to shift the plate during tightening.
- 5.9.21 **Recheck Neutral Lock Position...** Check to make sure Neutral Lock is adjusted as desired by positioning the Joystick Lever in drive and operating forward and reverse and then reposition into the Neutral Lock position. Drive wheels should be stationary. Repeat process if necessary.
- 5.9.22 **Lower Drive Wheels to The Ground...** Lower drive wheels to the ground and reinstall Right Side Fender.



### 5.9.23 Twin Stick Neutral Lock Adjustment

- 5.9.24 **Set Neutral Lock Position...** If the mower moves or travels with the engine running and the Twin Stick Drive Control Levers in the Neutral Lock Position; the Neutral Lock position needs adjusted. Each Twin Stick Drive Control Lever is linked directly to a Transaxle Control Plate via an adjustable length ball joint rod-end linkage.
- 5.9.25 **Drive Wheels Off Ground ...** Shut the engine off and raise the rear drive wheels off the ground, secure mower on blocks or jack stands.
- 5.9.26 **Loosen The Coupling Nut...** Determine the side that needs adjustment. Locate the Coupling Nut on the linkage. Use two wrenches and loosen the Jam Nuts; spin Jam Nuts back a couple of turns. (Note: bottom Jam Nut has left-hand threads.)

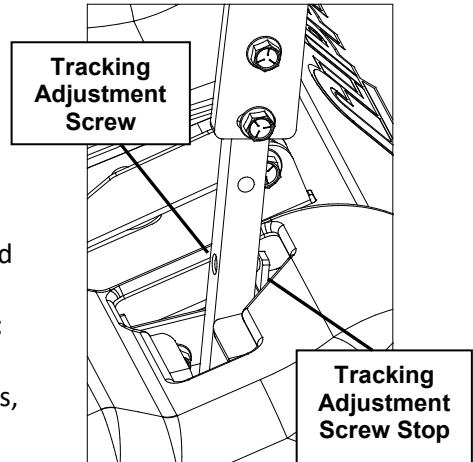


Right Side Transaxle

- 5.9.27 **Adjust Coupling Nut...** Start the engine and maintain the Twin Stick Levers in the Neutral Lock position. Rotate the Coupling Nut until the drive wheel stops turning. Turn off the engine and retighten the jam nuts.
- 5.9.28 **Recheck Neutral Lock Position...** Check to make sure Neutral Lock is adjusted as desired by positioning the Twin Stick Drive Control Levers in drive and operating forward and reverse and then reposition into the Neutral Lock position. Drive wheels should be stationary. Repeat process if necessary.
- 5.9.29 **Lower Drive Wheels to The Ground...** Lower drive wheels to the ground and recheck Neutral Lock Position.

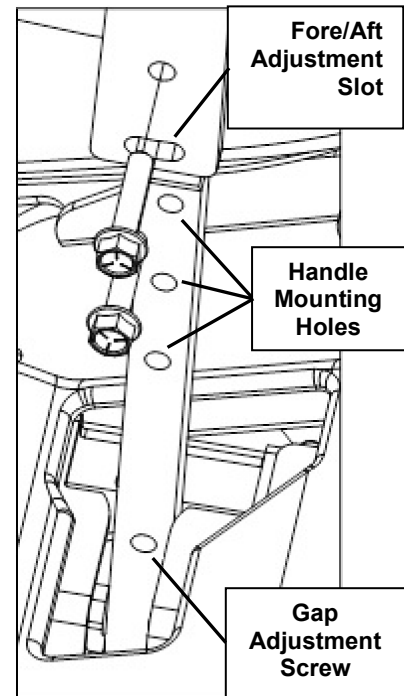
**Twin Stick Forward Tracking Adjustment**

- 5.9.30 **Forward Tracking...** In an open area, actuate the Twin Stick Drive Control Levers into the full forward position at  $\frac{3}{4}$  to full engine throttle. If the mower veers either left or right, some adjustment is required. If mower is veering to the right, then the left transaxle needs to be slowed down or vice versa.
- 5.9.31 **Position Mower...** Stop the mower, engage Park Brake, and shut the engine off.
- 5.9.32 **Adjust Tracking...** On the transaxle that needs adjustment; turn the Tracking Adjustment Screw in until it contacts the Stop, then turn screw at  $\frac{1}{2}$  turn (slowing speed) increments, until the mower tracks straight.



**Twin Stick Handle Adjustments**

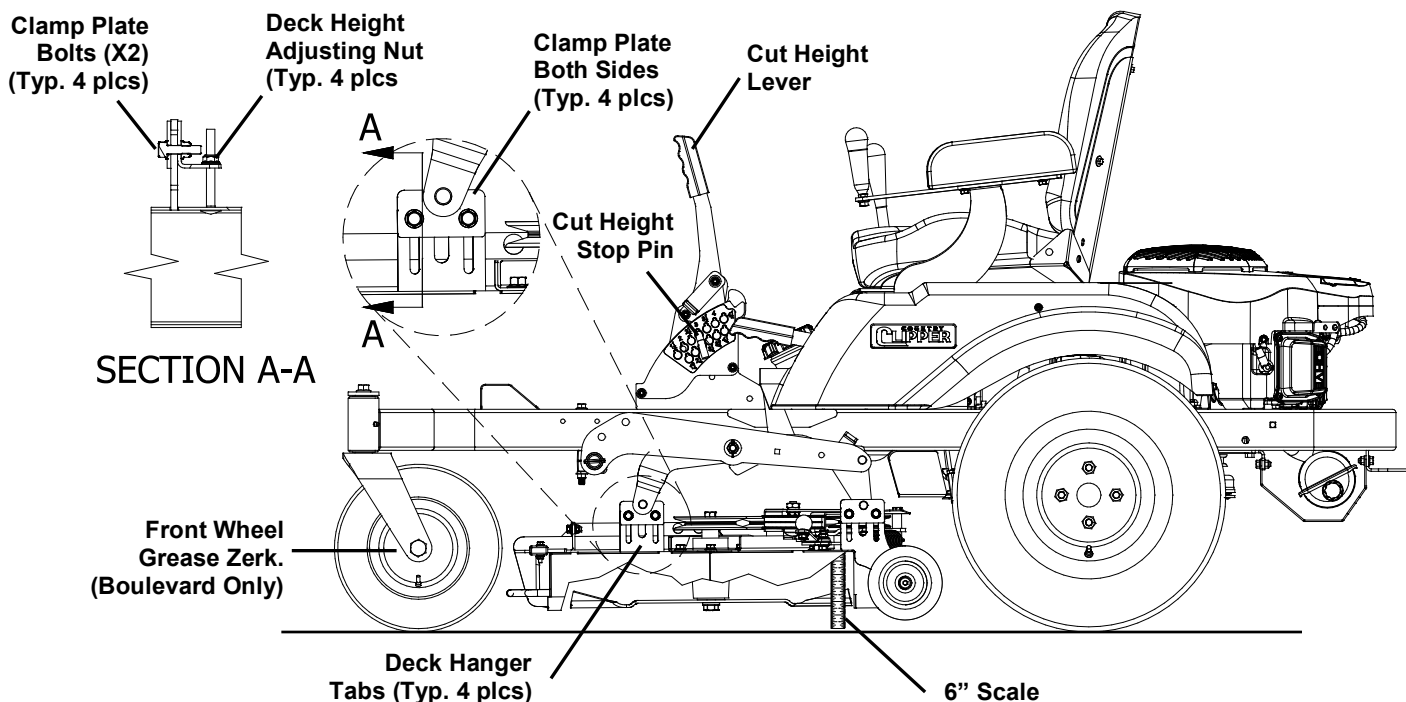
- 5.9.33 **Twin Stick Handle Height Adjustment...** The length or height of the handles has two available positions. Mount the handles in the upper set of holes or the lower set of holes for maximum operator comfort.
- 5.9.34 **Twin Stick Fore & Aft Adjustment...** Adjust the handles fore and aft position before tightening the handle mounting bolts. The fore/aft position of the handles should be set such that they are aligned with each other while in the neutral position.
- 5.9.35 **Twin Stick Handle Gap Adjustment...** Adjust the gap between the handles by turning in or out the Gap Adjustment Screw on the handle base. There should be about one inch gap between the ends of the operator handles when they are "in" (driving position). Make the height of the handles the same, or in line with each other. This may require adjusting both sides.



## Deck Leveling Adjustment

(Note: The deck has been factory leveled. If leveling is required follow this procedure.)

- 5.9.36 **Locate Mower on Hard Level Surface...** Locate mower on a hard level surface, engage Park Brake and shut the engine off.
- 5.9.37 **Confirm Tire Pressure...** Set the tire pressure on each of the four tires to 12psi (83kPa). (Make sure all four tires are equal).
- 5.9.38 **Set Cut Height To 3 Inches...** Set the deck cutting height to 3 inches and rotate the two outside blades by hand until one end of each outside blade points forward (toward the front of tractor).



- 5.9.39 **Ground to Blade Tip Measurement...** Measure from the ground to the front blade tip on each outside blade of the deck. These measurements should be approximately 3 inches and within 1/8 inch of each other.  
(Note: To simplify this measuring, an optional Blade Measuring Tool, part number 629-374A is available from your local Country Clipper Dealer).  
(Important: Do not attempt to set the deck cut height higher or lower than specified. This could cause failure of the deck drive system.)
- 5.9.40 **Front Deck Height of Cut Adjustment...** If adjustment is needed, loosen the 8 Clamp Plate bolts just enough so that the Clamp Plates are free to slide up and down on the Deck Hanger Tabs. Do not loosen too much, or the deck will sag. Turn the Deck Height Adjusting Nuts clockwise to raise the deck and counter clockwise to lower the deck so the blade height is approximately 3 inches. Make sure the left and right side measurements are within 1/8 inch from one side to the other.
- 5.9.41 **Rear Blade Tip Measurement (Deck Rake)...** Measure the rear blade tip height from the ground on both sides of the deck. The rear blade tip height should be equal or greater than the front blade tip height. Country Clipper recommends that the rear blade tip measure 1/8 to 1/4 inch higher than the front blade tip measurement.
- 5.9.42 **Rear Deck Height of Cut Adjustment...** If adjustment is needed, turn the Deck Height Adjusting Nuts clockwise to raise the deck and counter clockwise to lower the deck. Make sure the left and right side measurements are within 1/8 inch from one side to the other.
- 5.9.43 **Recheck Deck Blade Tip Measurements...** Recheck all measurements. Make adjustments as required. Tighten the 8 Clamp Plate bolts  
(NOTE: Deck should be hanging equally on all 4 Deck Hangers when properly adjusted.)
- 5.9.44 **Set Deck to Desired Cut Height...** Set deck to the desired operation cut height position.

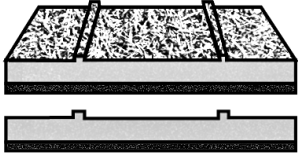
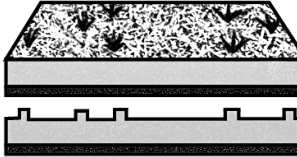
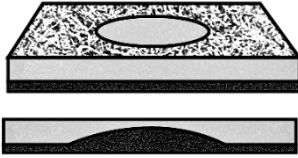
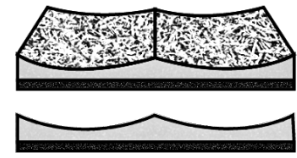
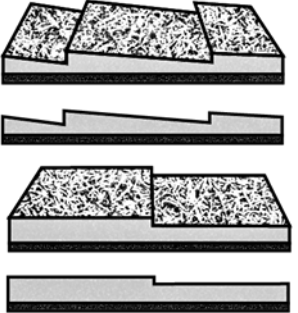
## Section 6... Troubleshooting

| Problem   | Cause  | Remedy   |
|---|--|--|
| Engine Will Not Turn Over   | Mower blade engagement switch is in "On" position                  | Press switch down to "Off" position  |
|   | Drive lever(s) not in "Neutral" position                           | Joystick... press control lever down to "Neutral Lock" position                |
|   |  | Twinstick... move drive levers out to "Neutral Lock" position                  |
|   | Dead battery   | Re-charge or replace battery   |
|   | Blown fuse   | Replace fuse and/or investigate cause and correct                              |
|   | Stator Solenoid  | Consult Dealer   |
|   | Ignition Switch  | Consult Dealer   |
|   | Engine Starter   | Consult Dealer   |
| Other   | Consult Engine Owner Manual or Dealer                              |  |
| Engine Turns Over but Won't Start   | No Gas   | Refuel gas tank, Clean or Replace fuel filter                                  |
|   | Engine choke   | Engine Cold... Pull choke to "On" position                                     |
|   |  | Engine Warm... Push choke to "Off" position                                    |
|   | Spark Plug   | Clean and re-gap (Consult Engine Owner Manual)                                 |
|   | Ignition switch  | Consult Dealer   |
|   | Malfunctioning carburetor  | Consult Dealer   |
|   | Other  | Consult Engine Owner Manual or Dealer  |
| Engine Starts Hard  | Fuel line clogged  | Clean line, Replace fuel filter or Consult Dealer                              |
|   | Faulty fuel pump   | Consult Dealer   |
|   | Spark plug wire loose or shorted to ground                         | Check spark plug wires   |
|   | Spark plug(s) faulty or improperly gapped                          | Clean & re-gap (Consult Engine Owner Manual)                                   |
|   | Electronic ignition defective                                      | Consult Dealer   |
|   | Contaminated or maladjusted carburetor                             | Consult Dealer   |
|   | Other  | Consult Engine Owner Manual or Dealer  |
| Engine Starts but Runs Rough, Erratically, Misfires, Cuts Out, or Overheats | Water in gasoline  | Drain gasoline from fuel tank and carburetor bowl - refuel with fresh gasoline |
|   | Fuel line clogged  | Clean line, Replace fuel filter or Consult Dealer                              |
|   | Fuel tank vent hose pinched or restricted                          | Correct restriction  |
|   | Faulty fuel pump   | Consult Dealer   |
|   | Maladjusted carburetor   | Consult Dealer   |
|   | Seat Safety Switch is working intermittently                       | Slow down on rough terrain. Inspect electrical connection at seat switch.      |
|   | Engine dies when Drive Control Lever(s) is/are in "Drive" position | Check park brake... release brake to the "Off" position                        |
|   | Air Intake Screen or Fins Clogged                                  | Clean intake screen and fins   |
| Other   | Consult Engine Owner Manual or Dealer                              |  |
| Engine Excessive Oil Consumption  | Other  | Consult Engine Owner Manual or Dealer  |
| Mower Hydraulic Drive has No/Low Power in Either Direction                  | Steering linkage out of adjustment                                 | Re-adjust drive linkage  |
|   | Bypass / Tow valves open   | Close Bypass valve   |
|   | Traction drive belt is worn, loose, or broken                      | Install new traction drive belt  |
|   | Air trapped in hydraulic system                                    | Purge transaxles   |
|   | Excessive loading  | Reduce vehicle loading   |
|   | Engine speed low   | Adjust to correct rpm  |
|   | Transaxle Oil Level is Low   | Fill to proper level or Consult Dealer   |
|   | Internal issue or leakage in drive transaxle                       | Consult Dealer   |
|   | Other  | Consult Dealer   |



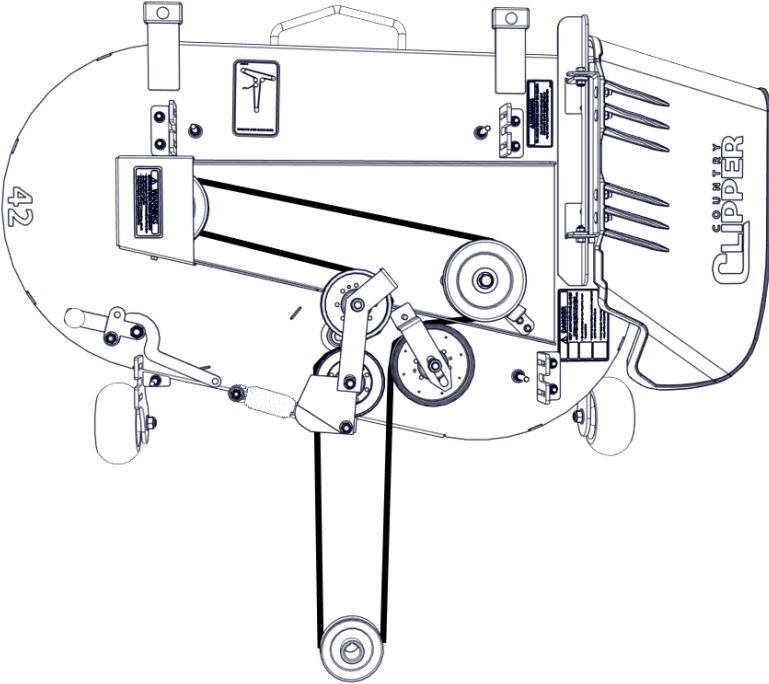
| <b>Problem</b>  | <b>Cause</b>                                | <b>Remedy</b>   |
|---|---|---|
| Mower Operates in One Direction Only or Jerky When Starting | Steering linkage out of adjustment          | Re-adjust drive linkage                                 |
|   | Drive belt slipping or pulley damage        | Repair or replace drive belt or pulley                  |
|   | Bypass valves not closed completely         | Close Bypass valves                                     |
|   | Air trapped in hydraulic system             | Purge transaxles  |
|   | Transaxle faulty                            | Consult Dealer  |
|   | Other                                       | Consult Dealer  |
| Transaxle Leaks Oil   | Damaged seal, housing, or gaskets           | Replace damaged components                              |
|   | Air trapped in hydraulic system             | Purge hydraulic system                                  |
|   | Other                                       | Consult Dealer  |
| Mower Creeps when Steering Control Lever/s are in Neutral   | Steering linkage out of adjustment          | Re-adjust drive linkage                                 |
|   | Neutral Lock position not adjusted properly | Re-adjust neutral lock position                         |
|   | Other                                       | Consult Dealer  |
| Mower Veers or Circles in One Direction                     | Steering linkage out of adjustment or bent  | Re-adjust drive linkage or replace if bent              |
|   | Tires improperly inflated                   | Inflate to the proper air pressure                      |
|   | Tracking out of adjustment                  | Re-adjust tracking or replace if bent                   |
|   | Transaxle faulty                            | Consult Dealer  |
| Transaxle Noisy   | Oil level low or contaminated oil           | Fill to proper level or change oil & filter             |
|   | Excessive loading                           | Reduce vehicle loading                                  |
|   | Loose parts                                 | Repair or replace loose parts                           |
|   | Bypass assembly sticking                    | Repair or replace linkage                               |
|   | Air trapped in hydraulic system             | Purge hydraulic system                                  |
|   | Other                                       | Consult Dealer  |
| Engine Stalls when Blades are Engaged                       | Operator not on seat                        | Sit on seat   |
|   | Faulty Safety Interlock system              | Consult Dealer  |
|   | Blades blocked by foreign material          | Remove material blocking blade rotation                 |
|   | Deck drive belt not properly routed         | Repair or Consult Dealer                                |
|   | Other                                       | Consult Dealer  |
| Mower Blades Do Not Rotate                                  | Deck belt tension lever disengaged          | Engage deck belt tension lever to apply tension on belt |
|   | Deck drive belt off pulley(s)               | Re-install belt   |
|   | Electric Clutch not engaging                | See Electric Clutch Not Engaging Mower Blades           |
|   | Deck drive belt broke                       | Replace belt  |
|   | Other                                       | Consult Dealer  |
| Electric Clutch Not Engaging Mower Blades                   | Blade Engagement Switch malfunction         | Consult Dealer  |
|   | Electric Clutch wire connector disconnected | Re-connect connector to main harness connector          |
|   | Fuse blown                                  | Check fuses – repair and replace as required            |
|   | Electric Clutch wires damaged               | Consult Dealer  |
|   | Electric Clutch malfunction                 | Consult Dealer  |
|   | Battery voltage and/or current to low       | Test battery – replace as required                      |
|   | Other                                       | Consult Dealer  |
| Excessive Belt Wear or Breakage                             | Bent or damaged pulley                      | Repair or replace                                       |
|   | Use of incorrect belt                       | Replace with correct OEM belt                           |
|   | Incorrect belt tension                      | Consult Dealer  |
|   | Incorrect belt alignment                    | Consult Dealer  |
|   | Other                                       | Consult Dealer  |

## Common Cut Quality Problems

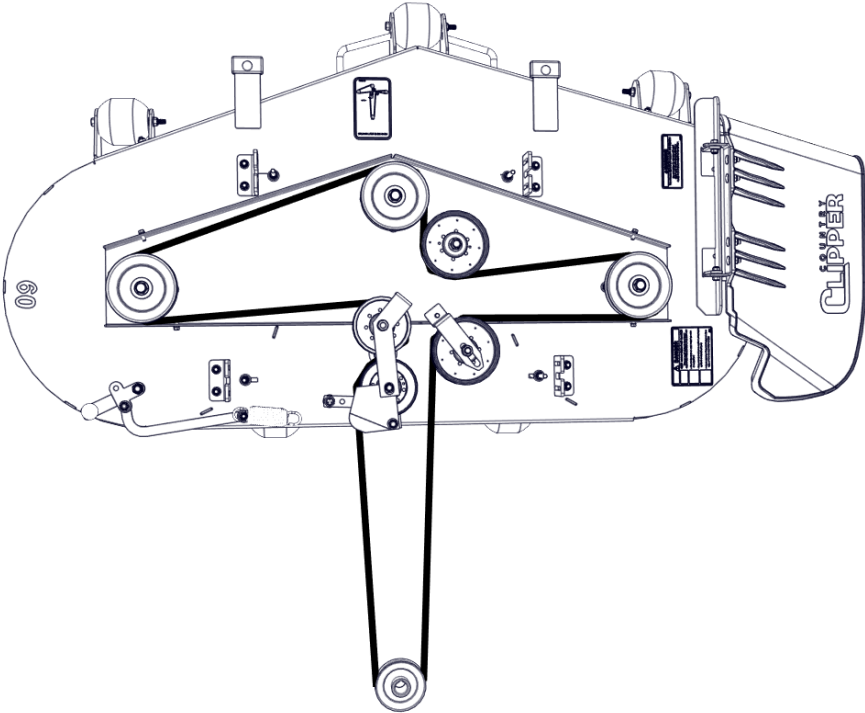
| <b>Problem: Streaking</b>   |  | <b>Problem: Stringers</b>  |  |
|---|--|--|--|
| Streaking is when thin strips of uncut grass are left after mowing. Streaking commonly occurs by operator error or poor blade maintenance.  |  | Stringers are sparse patches of uncut grass left behind in the lawn surface. Stringers commonly occur by operator error or poor blade maintenance. |  |
|    |  |   |  |
| Cause   | Remedy   | Cause  | Remedy   |
| Blades not sharp.   | Sharpen blades.  | Blades not sharp.  | Sharpen blades.  |
| Blades worn down.   | Replace blades.  | Blades worn down.  | Replace blades.  |
| Engine speed too low.   | Operate engine @ full throttle.  | Engine speed too low.  | Operate engine @ full throttle.                          |
| Ground speed too fast.  | Slow down.   | Ground speed too fast.   | Slow down.   |
| Deck plugged w/ grass.  | Clean mower deck.  | Deck plugged w/ grass.   | Clean underside of mower deck.                           |
| Not overlapping cutting rows enough.  | Increase overlap when cutting.   |  |  |
| Not overlapping enough when turning.  | Effective cutting width decreases when turning; increase overlap when turning. |  |  |
| <b>Problem: Scalping</b>  |  | <b>Problem: Uneven Cutting</b>   |  |
| Scalping is when the mower blade comes close to or hits the ground. Scalping typically occurs due to deck maladjustment, uneven lawn, or by deck bounce at high ground speed.                       |  | Uneven Cutting is waviness or smooth troughs in the lawn surface. Uneven Cutting typically occurs due to mower deck damage or maladjustment.       |  |
|   |  |    |  |
| Cause   | Remedy   | Cause  | Remedy   |
| Lawn uneven or bumpy.   | Roll or level lawn.  | Deck level correct.  | Correct deck level.                                      |
| Cut height too low.   | Raise cutting height.  | Blades worn or dull.   | Sharpen or replace blade.                                |
| Ground speed too fast.  | Slow down.   | Blades damaged.  | Replace blades.  |
| Deck level incorrect.   | Correct deck level.  | Deck plugged w/ grass.   | Clean underside of mower deck.                           |
| Tire improperly inflated.   | Inflate to proper air pressure.  | Deck shell is damaged.   | Repair or replace deck shell                             |
| Deck Floating   | Decrease Deck Lift Assist Spring Tension and raise cut height.                 | Blade spindle bent or loose.   | Repair or replace spindle.                               |
|   |  | Tire(s) improperly inflated.   | Inflate to proper air pressure.                          |
|   |  | Blades installed wrong.  | Reinstall blades correctly.                              |
| <b>Problem: Stepped Cutting</b>   |  |  |  |
| Stepped Cutting is when sharp ridges or uneven levels are present on the lawn surface. Stepped Cutting typically occurs when the deck is misadjusted or damaged, or the mower blade(s) are damaged. |  |  |  |
|    |  | Cause  | Remedy   |
|   |  | Deck level incorrect.  | Correct deck level.                                      |
|   |  | Tire(s) improperly inflated.   | Inflate to proper air pressure.                          |
|   |  | Blades damaged.  | Replace blades.  |
|   |  | Deck shell is damaged.   | Repair or replace deck shell                             |
|   |  | Blade spindle bent or loose.   | Repair or replace spindle.                               |
|   |  | Blades installed wrong.  | Reinstall blades correctly.                              |
|   |  | Deck floating.   | Adjust Deck Lift Assist Spring-Set both springs equally. |

# Section 7... Belt Routing

## Avenue 42" Deck Belt Routing



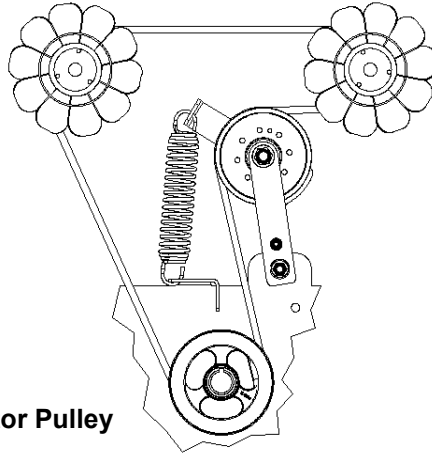
## Avenue - Boulevard 48", 54", & 60" Deck Belt Routing



## Hydro Belt Routing

(Viewed from ground looking up)

**Right Hand Hydrostatic  
Transmission Pulley**



**Left Hand Hydrostatic  
Transmission Pulley**

**Motor Pulley**

# Section 8... Maintenance Record

| <b>Date</b> | <b>Hours</b> | <b>Service Performed</b> |
|-------------|--------------|--------------------------|
|             |              |                          |
|             |              |                          |
|             |              |                          |
|             |              |                          |
|             |              |                          |
|             |              |                          |
|             |              |                          |
|             |              |                          |
|             |              |                          |
|             |              |                          |
|             |              |                          |
|             |              |                          |
|             |              |                          |
|             |              |                          |
|             |              |                          |
|             |              |                          |
|             |              |                          |
|             |              |                          |
|             |              |                          |
|             |              |                          |
|             |              |                          |
|             |              |                          |
|             |              |                          |
|             |              |                          |
|             |              |                          |
|             |              |                          |
|             |              |                          |
|             |              |                          |
|             |              |                          |
|             |              |                          |
|             |              |                          |
|             |              |                          |
|             |              |                          |
|             |              |                          |
|             |              |                          |
|             |              |                          |
|             |              |                          |
|             |              |                          |
|             |              |                          |
|             |              |                          |
|             |              |                          |

# Repair Parts



**AVENUE** A115

**BOULEVARD** B215

**SERIAL RANGE: 21286001 - \_\_\_\_\_**

**COUNTRY CLIPPER**  
**AVENUE-A115 & BOULEVARD-B215**  
**SERIAL RANGE 21286001 - \_\_\_\_\_**  
**ZERO TURN RADIUS MOWER**  
**TABLE OF CONTENTS**

**SECTION 1 – MOWER DECKS AND RELATED PARTS**

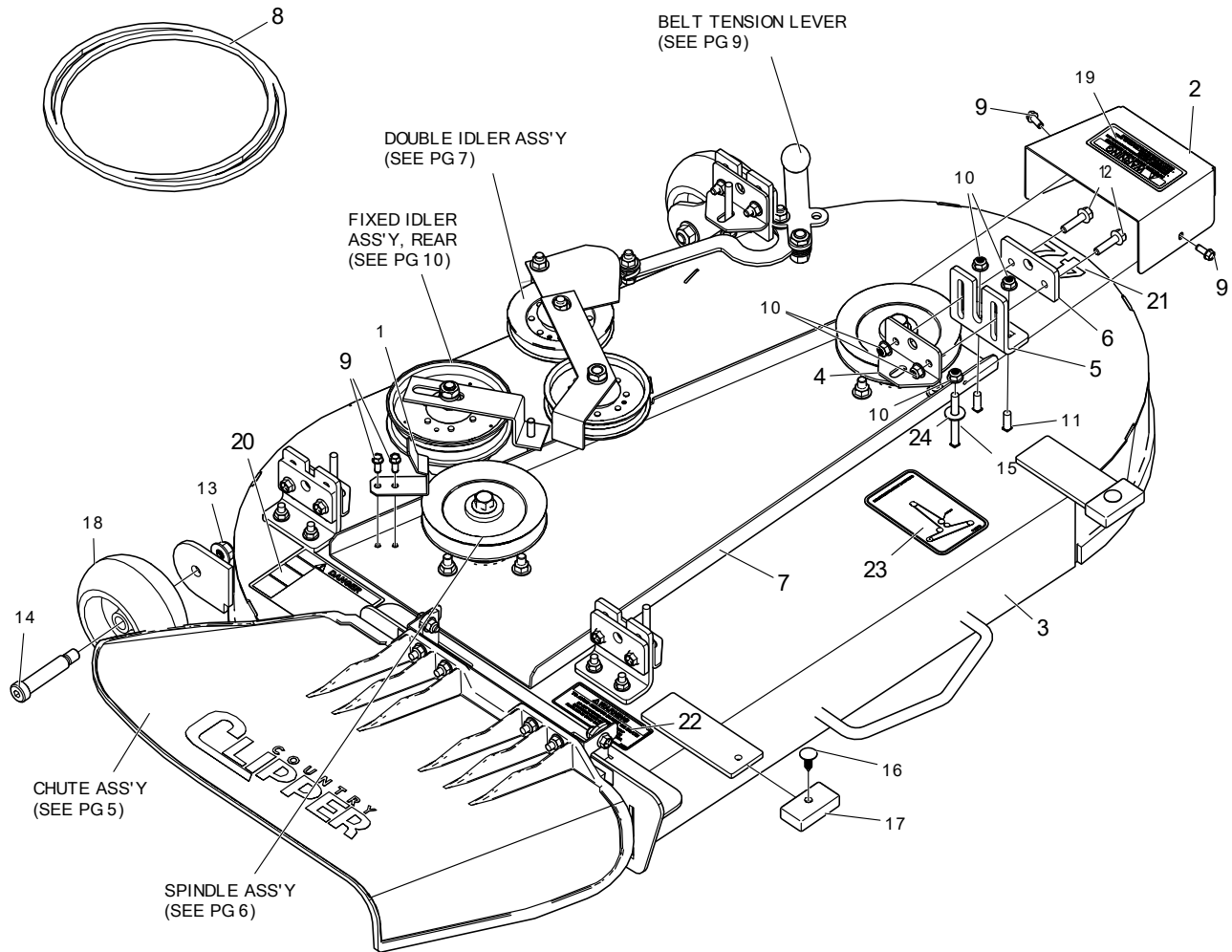
1. 42" DECK ASSEMBLY
2. 48" DECK ASSEMBLY
3. 54" DECK ASSEMBLY
4. 60" DECK ASSEMBLY
5. DISCHARGE CHUTE ASSEMBLY
6. DECK SPINDLE ASSEMBLY
7. DOUBLE IDLER & RELATED PARTS (42" DECK)
8. DOUBLE IDLER & RELATED PARTS (48", 54" & 60" DECK)
9. BELT TENSION LEVER
10. FIXED IDLERS & RELATED PARTS
11. LIFT HANDLE ASSEMBLY & RELATED PARTS
12. DECK SCISSOR LIFT ASSEMBLY & RELATED PARTS

**SECTION 2 – TRACTOR FRAME AND RELATED PARTS**

13. FOOT DECK & TIRES (AVENUE)
14. FOOT DECK & TIRES (BOULEVARD)
15. FRONT PANEL ASSEMBLY & RELATED PARTS
16. FRONT PANEL ASSEMBLY & RELATED PARTS (CONT)
17. BATTERY BOX
18. BRAKE ASSEMBLY

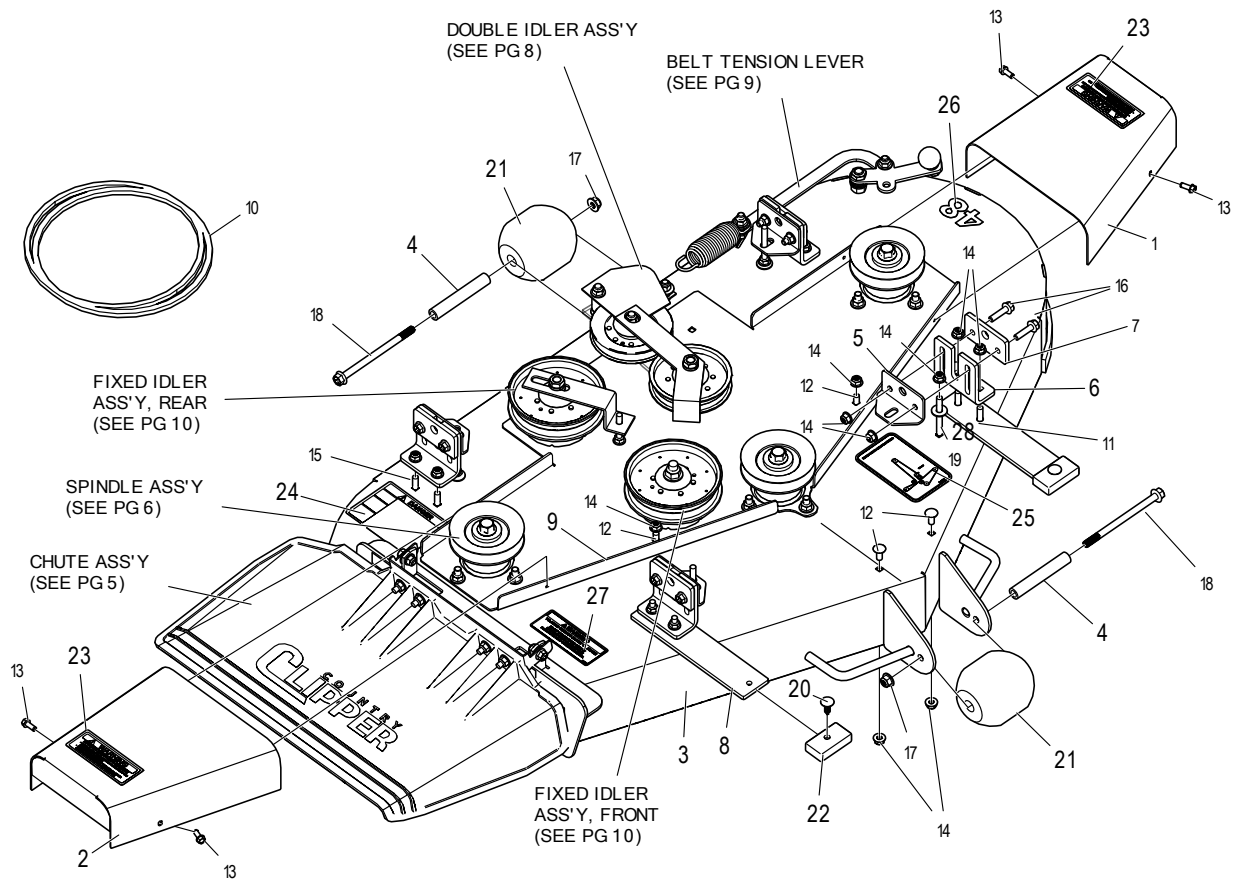
**SECTION 3 – TRACTOR DRIVE AND RELATED PARTS**

19. FUEL TANK ASSEMBLY
20. JOYSTICK CONTROL & RELATED PARTS
21. JOYSTICK ASSEMBLY
22. JOYSTICK ASSEMBLY MOUNTING & RELATED PARTS
23. TWIN LEVER CONTROL & RELATED PARTS
24. TWIN LEVER ASSEMBLY
25. CONTROL PANEL
26. FENDER ASSEMBLY & RELATED PARTS
27. TRANSMISSION ASSEMBLY & RELATED PARTS (AVENUE & BOULEVARD)
28. TRANSMISSION ASSEMBLY & RELATED PARTS (BOULEVARD)
29. TRANSMISSION ASSEMBLY & RELATED PARTS CON'T (BOULEVARD)
30. SEAT BASE & RELATED PARTS
31. ENGINES
32. ENGINE & CLUTCH MOUNTING & RELATED PARTS
33. WIRE HARNESS & RELATED PARTS
34. WIRE HARNESS SCHEMATIC

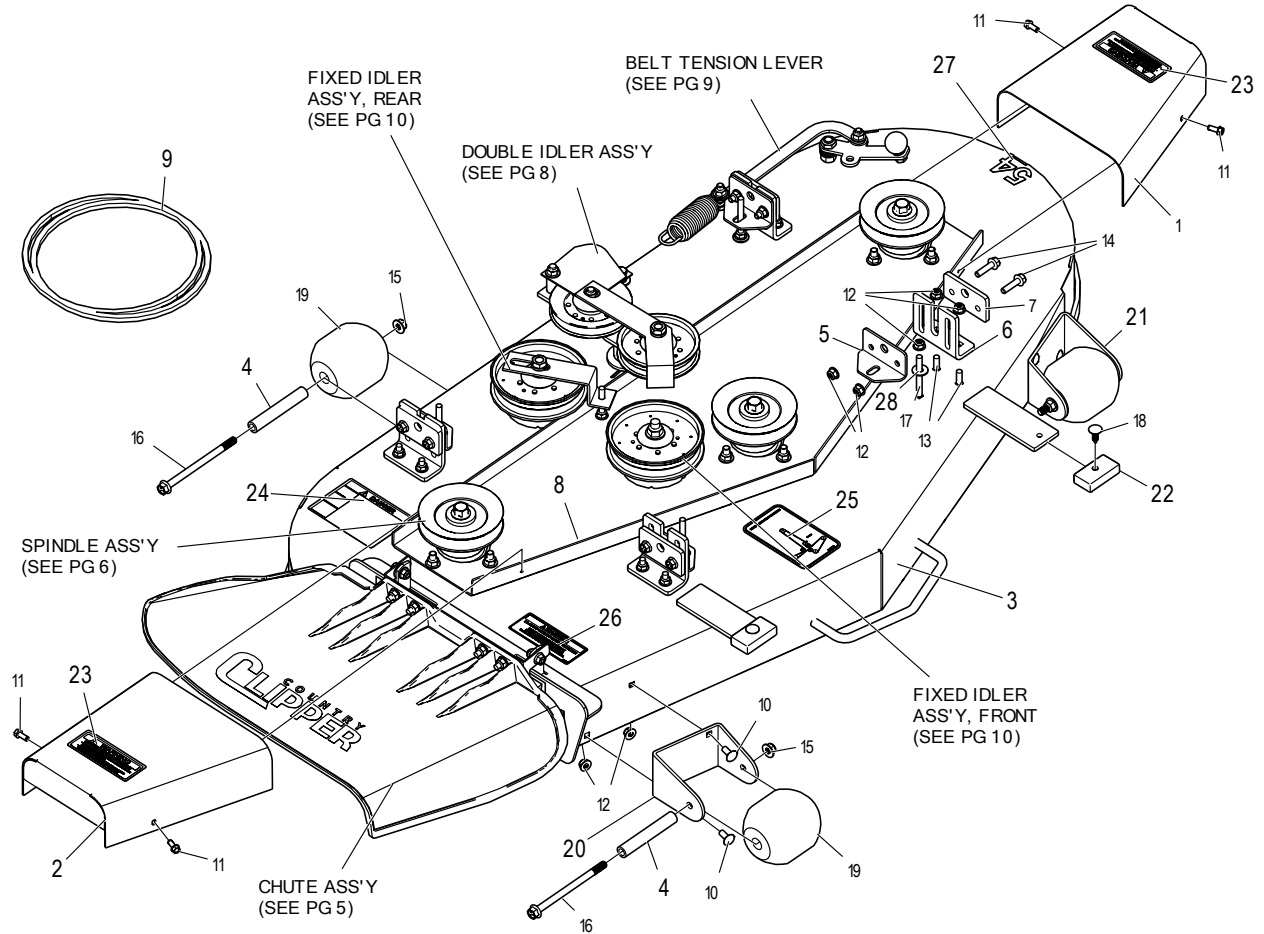


| TEM # | QTY | PART #    | DESCRIPTION                                      |
|-------|-----|-----------|--|
| 1     | 1   | 700-058P  | GUIDE, BELT                                      |
| 2     | 1   | 714-009A  | 42" PULLEY COVER W/ DECALS                       |
| 3     | 1   | 714-052A  | 42" DECK W/ DECALS                               |
| 4     | 4   | 714-179P  | PLATE, ADJUSTMENT W/ FLANGE                      |
| 5     | 3   | 714-383P  | DECK HANGER TAB                                  |
| 6     | 4   | 714-424P  | PLT, CLAMP                                       |
| 7     | 1   | 714A-005P | DECK STIFFENER, 42"                              |
| 8     | 1   | D-3948    | BELT, BANDO, B-122                               |
| 9     | 4   | F-2030    | HEX, WASHER HEAD SCREW, 1/4 X 5/8", SELF-TAPPING |
| 10    | 18  | F-2063    | NUT, 5/16-18, NYLOC, FLANGED, YZ                 |
| 11    | 6   | F-2066    | BOLT, CARRIAGE, 5/16-18 X 1", YZ, GR5            |
| 12    | 8   | F-2122    | FHCS, 5/16-18 X 1-1/4", YZ, GR5, FULL THD        |
| 13    | 2   | F-2152    | NUT, 1/2-13 NYLOC, FLANGED, YZ                   |
| 14    | 2   | F-2232    | SHCS, 5/8" X 2-1/2", CZ                          |
| 15    | 4   | F-2234    | CARRIAGE BOLT, 5/16-18 X 3" FULL THREAD          |
| 16    | 2   | F-2250    | CLIP, FIR TREE, 1/4" X 1", BLACK NYLON           |
| 17    | 2   | H-2959    | WEAR PAD   |
| 18    | 2   | H-2968    | ANTI-SCALP WHEEL, 5" X 2-1/2"                    |
| 19    | 1   | P-10935   | DECAL, "WARNING ROTATING DRIVE"                  |
| 20    | 1   | P-10941   | DECAL "DANGER ROTATING BLADES"                   |
| 21    | 1   | P-11949   | DECAL, DECK SIZE, 42                             |
| 22    | 1   | P-12706   | WARNING DECAL, DISCHARGE CHUTE                   |
| 23    | 1   | P-12712   | DECAL WRANGLER BELT ROUTING                      |
| 24    | 3   | F-1009-02 | WASHER, FLAT                                     |





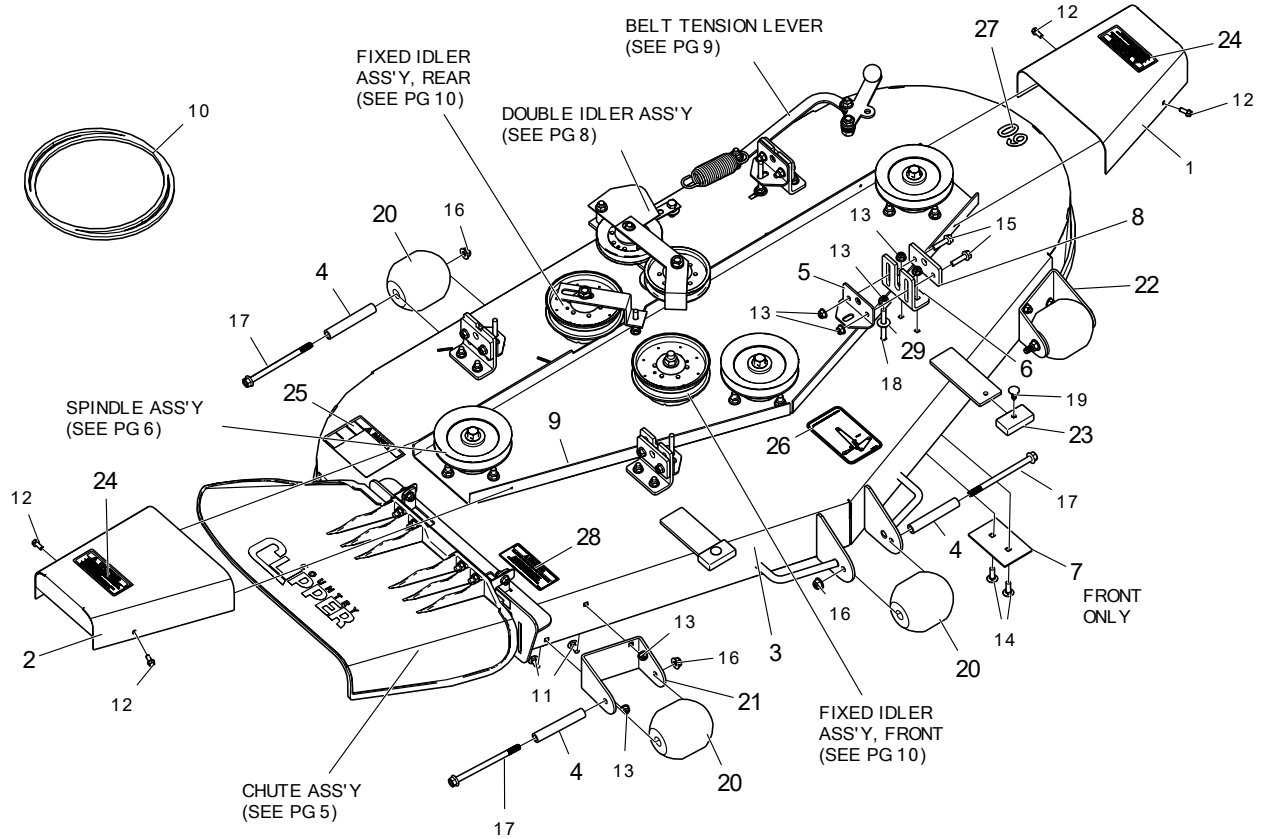
| ITEM # | QTY | PART #    | DESCRIPTION  |
|--------|-----|-----------|--|
| 1      | 1   | 714-124A  | PULLEY COVER W/ DECALS, TRIM                         |
| 2      | 1   | 714-123A  | PULLEY COVER W/ DECALS, DISCHARGE                    |
| 3      | 1   | 714-053A  | 48" DECK W/ DECALS                                   |
| 4      | 3   | 714-133P  | BUSHING, ROLLER BRACKET                              |
| 5      | 4   | 714-179P  | PLATE, ADJUSTMENT W/FLANGE                           |
| 6      | 4   | 714-383P  | DECK HANGER TAB                                      |
| 7      | 4   | 714-424P  | PLT, CLAMP   |
| 8      | 2   | 714-426P  | PLT, DECK STOP                                       |
| 9      | 1   | 714B-005P | DECK STIFFENER, 48"                                  |
| 10     | 1   | D-3949    | BANDL BELT B-144                                     |
| 11     | 4   | F-1106    | BOLT, CARRIAGE, 5/16-18 X 1-1/4, YZ, GR5             |
| 12     | 4   | F-1671    | CARRIAGE BOLT, 5/16-18 X 3/4", YZ, GR5               |
| 13     | 4   | F-2030    | HEX, WASHER HEAD SCREW, 1/4 X 5/8", SELF-TAPPING, YZ |
| 14     | 24  | F-2063    | NUT, 5/16-18, NYLOC, FLANGED, YZ                     |
| 15     | 4   | F-2066    | BOLT, CARRIAGE, 5/16-18 X 1", YZ, GR5                |
| 16     | 8   | F-2122    | FHCS, 5/16-18 X 1-1/4", YZ, GR5, FULL THD            |
| 17     | 3   | F-2151    | NUT, 3/8-16 NYLOC, FLANGED, YZ                       |
| 18     | 3   | F-2222    | FHCS, 3/8-16 X 5-1/2", YZ, GR5                       |
| 19     | 4   | F-2234    | CARRIAGE BOLT, 5/16-18 X 3" FULL THREAD              |
| 20     | 2   | F-2250    | CLIP, FIR TREE, 1/4" X 1", BLACK NYLON               |
| 21     | 3   | H-2768    | ROLLER, 3-3/4 DIA. X 4"                              |
| 22     | 2   | H-2959    | WEAR PAD   |
| 23     | 2   | P-10935   | DECAL, "WARNING ROTATING DRIVE"                      |
| 24     | 1   | P-10941   | DECAL, "DANGER ROTATING BLADES"                      |
| 25     | 1   | P-11932   | DECK BELT ROUTING                                    |
| 26     | 1   | P-11950   | DECAL, DECK SIZE, 48                                 |
| 27     | 1   | P-12706   | WARNING DECAL, DISCHARGE CHUTE                       |
| 28     | 4   | F-1009-02 | WASHER, FLAT   |



| ITEM # | QTY | PART #    | DESCRIPTION  |
|--------|-----|-----------|--|
| 1      | 1   | 714-124A  | PULLEY COVER W/ DECALS, TRIM                         |
| 2      | 1   | 714-123A  | PULLEY COVER W/ DECALS, DISCHARGE                    |
| 3      | 1   | 714-094A  | 54" DECK W/ DECALS                                   |
| 4      | 4   | 714-133P  | BUSHING, ROLLER BRACKET                              |
| 5      | 4   | 714-179P  | PLATE, ADJUSTMENT W/FLANGE                           |
| 6      | 4   | 714-383P  | DECK HANGER TAB                                      |
| 7      | 4   | 714-424P  | PLT, CLAMP   |
| 8      | 1   | 714C-005P | DECK STIFFENER, 54"                                  |
| 9      | 1   | D-3950    | BANDL BELT B-154                                     |
| 10     | 4   | F-1671    | CARRIAGE BOLT, 5/16-18 X 3/4", YZ, GR5               |
| 11     | 4   | F-2030    | HEX, WASHER HEAD SCREW, 1/4 X 5/8", SELF-TAPPING, YZ |
| 12     | 24  | F-2063    | NUT, 5/16-18, NYLOC, FLANGED, YZ                     |
| 13     | 8   | F-2066    | BOLT, CARRIAGE, 5/16-18 X 1", YZ, GR5                |
| 14     | 8   | F-2122    | FHCS, 5/16-18 X 1-1/4", YZ, GR5, FULL THD            |
| 15     | 4   | F-2151    | NUT, 3/8-16 NYLOC, FLANGED, YZ                       |
| 16     | 4   | F-2222    | FHCS, 3/8-16 X 5-1/2", YZ, GR5                       |
| 17     | 4   | F-2234    | CARRIAGE BOLT, 5/16-18 X 3" FULL THREAD              |
| 18     | 2   | F-2250    | CLIP, FIR TREE, 1/4" X 1", BLACK NYLON               |
| 19     | 4   | H-2768    | ROLLER, 3-3/4 DIA. X 4"                              |
| 20     | 1   | H-2938    | PLATE, ROLLER BRACKET                                |
| 21     | 1   | H-2939    | PLATE, ROLLER BRACKET                                |
| 22     | 2   | H-2959    | WEAR PAD   |
| 23     | 2   | P-10935   | DECAL, "WARNING ROTATING DRIVE"                      |
| 24     | 1   | P-10941   | DECAL, DANGER  |
| 25     | 1   | P-11932   | DECK BELT ROUTING                                    |
| 26     | 1   | P-12706   | WARNING DECAL, DISCHARGE CHUTE                       |
| 27     | 1   | P-13131   | DECAL, DECK SIZE, 54                                 |
| 28     | 4   | F-1009-02 | WASHER, FLAT   |

AVENUE/BOULEVARD  
(A115 / B215)

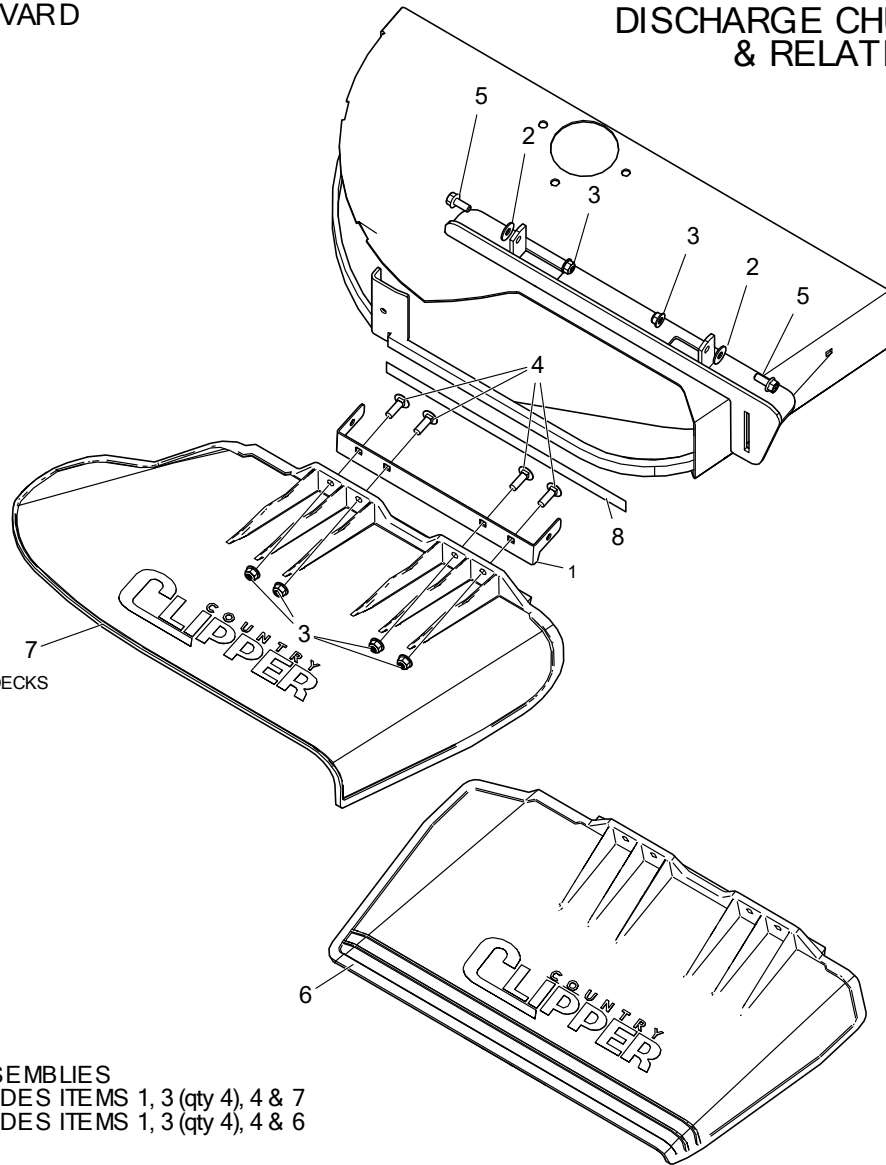
60" DECK ASSEMBLY  
{714J-002A}



| ITEM # | QTY | PART #    | DESCRIPTION  |
|--------|-----|-----------|--|
| 1      | 1   | 714-124A  | PULLEY COVER W/ DECALS, TRIM                         |
| 2      | 1   | 714-123A  | PULLEY COVER W/ DECALS, DISCHARGE                    |
| 3      | 1   | 714-095A  | 60" DECK W/ DECALS                                   |
| 4      | 5   | 714-133P  | BUSHING, ROLLER BRACKET                              |
| 5      | 4   | 714-179P  | PLATE, ADJUSTMENT W/FLANGE                           |
| 6      | 4   | 714-383P  | DECK HANGER TAB                                      |
| 7      | 2   | 714-404P  | REINFORCEMENT PLATE, 60"                             |
| 8      | 4   | 714-424P  | PLT, CLAMP   |
| 9      | 1   | 714D-005P | DECK STIFFENER, 60"                                  |
| 10     | 1   | D-3951    | BANDL BELT B-166                                     |
| 11     | 4   | F-1671    | CARRIAGE BOLT, 5/16-18 X 3/4", YZ, GR5               |
| 12     | 4   | F-2030    | HEX, WASHER HEAD SCREW, 1/4 X 5/8", SELF-TAPPING, YZ |
| 13     | 24  | F-2063    | NUT, 5/16-18, NYLOC, FLANGED, YZ                     |
| 14     | 8   | F-2066    | BOLT, CARRIAGE, 5/16-18 X 1", YZ, GR5                |
| 15     | 8   | F-2122    | FHCS, 5/16-18 X 1-1/4", YZ, GR5, FULL THD            |
| 16     | 5   | F-2151    | NUT, 3/8-16 NYLOC, FLANGED, YZ                       |
| 17     | 5   | F-2222    | FHCS, 3/8-16 X 5-1/2", YZ, GR5                       |
| 18     | 4   | F-2234    | CARRIAGE BOLT, 5/16-18 X 3" FULL THREAD              |
| 19     | 2   | F-2250    | CLIP, FIR TREE, 1/4" X 1", BLACK NYLON               |
| 20     | 5   | H-2768    | ROLLER, 3-3/4 DIA. X 4"                              |
| 21     | 1   | H-2938    | PLATE, ROLLER BRACKET                                |
| 22     | 1   | H-2939    | PLATE, ROLLER BRACKET                                |
| 23     | 2   | H-2959    | WEAR PAD   |
| 24     | 2   | P-10935   | DECAL, "WARNING ROTATING DRIVE"                      |
| 25     | 1   | P-10941   | DECAL, "DANGER ROTATING BLADES"                      |
| 26     | 1   | P-11932   | DECK BELT ROUTING                                    |
| 27     | 1   | P-11952   | DECAL, DECK SIZE, 60                                 |
| 28     | 1   | P-12706   | WARNING DECAL, DISCHARGE CHUTE                       |
| 29     | 4   | F-1009-02 | WASHER, FLAT   |

AVENUE/BOULEVARD  
(A115/B215)

DISCHARGE CHUTE ASS'Y  
& RELATED PARTS



USE ITEM #6 FOR 48" DECKS

COMPLETE ASSEMBLIES  
714-010A - INCLUDES ITEMS 1, 3 (qty 4), 4 & 7  
643-111A - INCLUDES ITEMS 1, 3 (qty 4), 4 & 6

| ITEM # | QTY | PART #    | DESCRIPTION                           |
|--------|-----|-----------|---------------------------------------|
| 1      | 1   | 714-112P  | HINGE, DECK CHUTE                     |
| 2      | 2   | F-1009-02 | WASHER, FLAT                          |
| 3      | 6   | F-2063    | NUT, 5/16-18, NYLOC, FLANGED, YZ      |
| 4      | 4   | F-2066    | BOLT, CARRIAGE, 5/16-18 X 1", YZ, GR5 |
| 5      | 2   | F-2120    | FHCS, 5/16-18 X 3/4", YZ, GR5         |
| 6      | 1   | H-2723    | CHUTE, DISCHARGE, SMALL               |
| 7      | 1   | H-2946    | DECK CHUTE                            |
| 8      | 1   | P-13266   | DECAL, MISSING CHUTE                  |

PARTS MARKED "" ARE PART  
OF COMPLETE ASS'Y D-3917

BLADE PART NUMBERS

42" & 60" DECKS

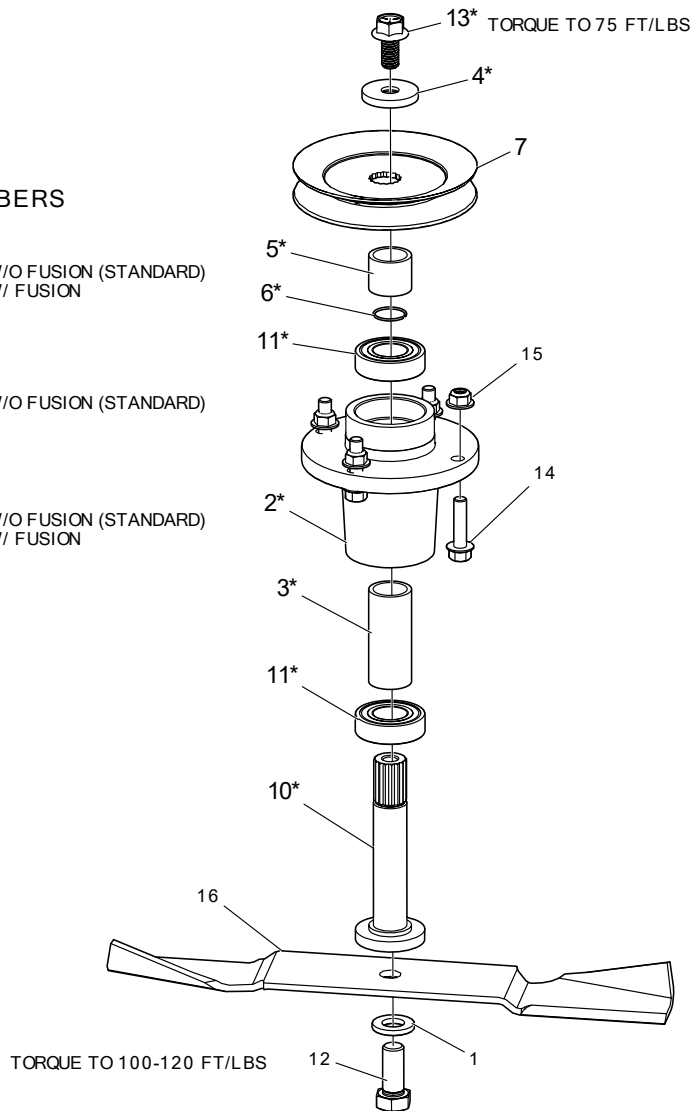
- H-2885 HIGH LIFT W/O FUSION (STANDARD)
- H-2886 HIGH LIFT W/ FUSION
- H-2661 LOW LIFT
- H-2667 GATOR

48" DECK

- H-2882 HIGH LIFT W/O FUSION (STANDARD)
- H-2659 LOW LIFT
- H-2665 GATOR

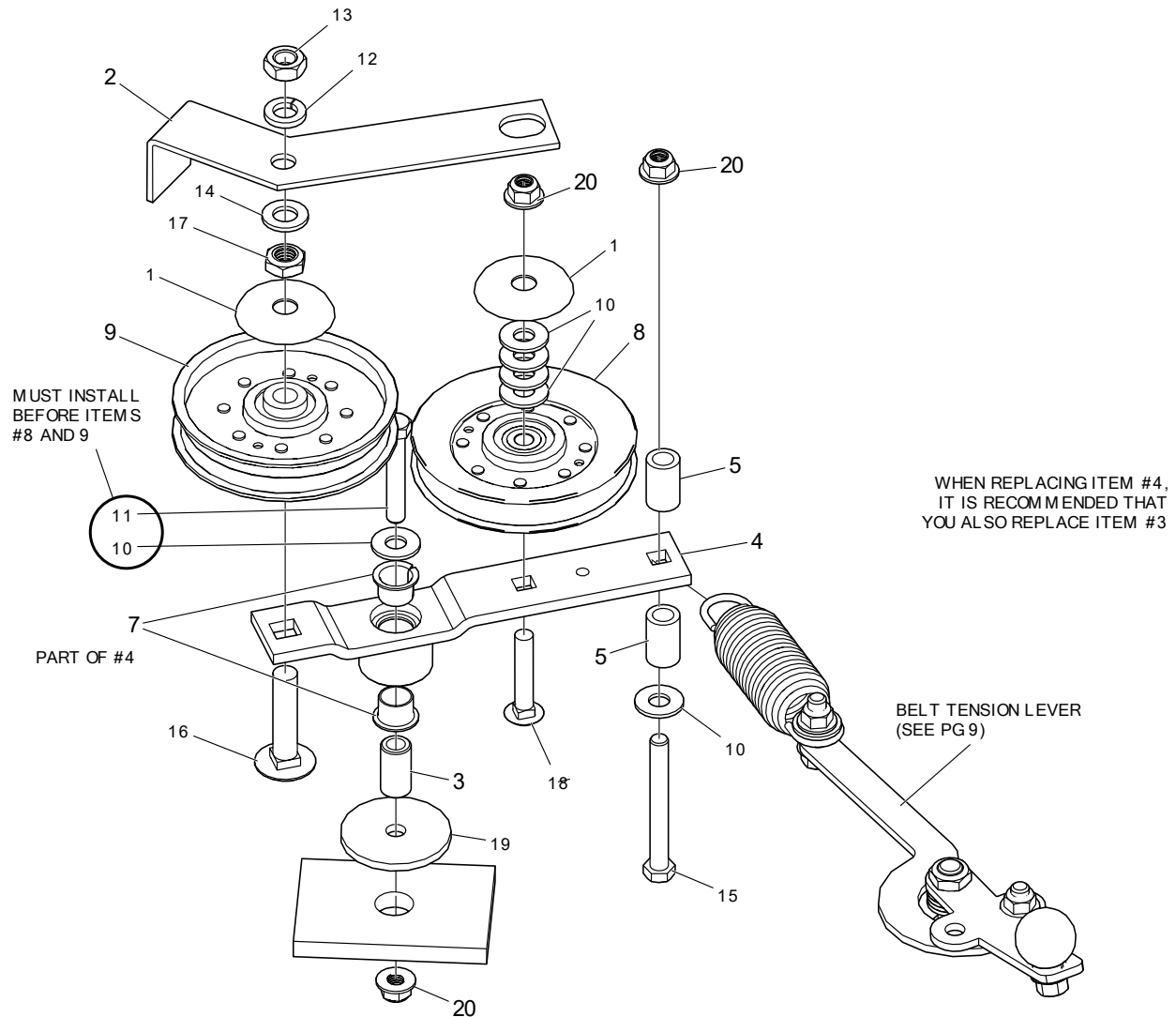
54" DECK

- H-2883 HIGH LIFT W/O FUSION (STANDARD)
- H-2884 HIGH LIFT W/ FUSION
- H-2660 LOW LIFT
- H-2666 GATOR

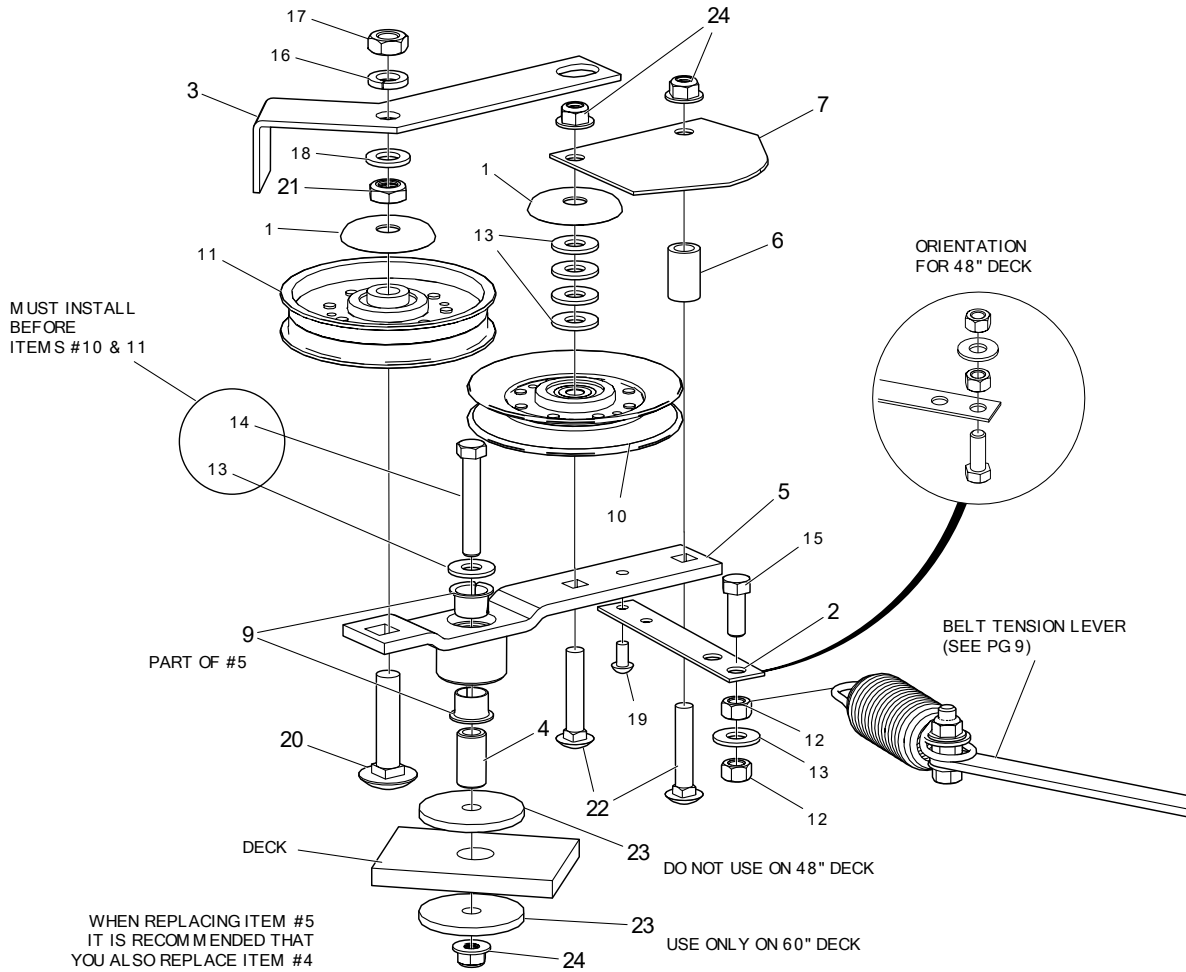


| ITEM # | QTY | PART #   | DESCRIPTION                        |
|--------|-----|----------|------------------------------------|
| 1      | 1   | 660-099P | WASHER, BLADE, 5/8                 |
| 2      | 1   | ----     | SPINDLE HOUSING                    |
| 3      | 1   | ----     | SPINDLE SPACER                     |
| 4      | 1   | D-3990   | SPINDLE HARD WASHER                |
| 5      | 1   | D-3989   | SPINDLE OUTER SPACER               |
| 6      | 1   | D-3991   | SPINDLE RETAINING RING             |
| 7      | 1   | D-3918   | PULLEY, 5.195, A-B, 42" & 60" DECK |
| 8      | 1   | D-3919   | PULLEY, 4.039, A-B, 48" DECK       |
| 9      | 1   | D-3920   | PULLEY, 4.513, A-B, 54" DECK       |
| 10     | 1   | D-3961   | SPINDLE SHAFT                      |
| 11     | 2   | D-3058   | SPINDLE BRG                        |
| 12     | 1   | F-2073   | HHCS, 5/8-11 X 1-1/2", GR8, YZ     |
| 13     | 1   | F-2143   | FHCS, 1/2-13 X 1", YZ, GR5         |

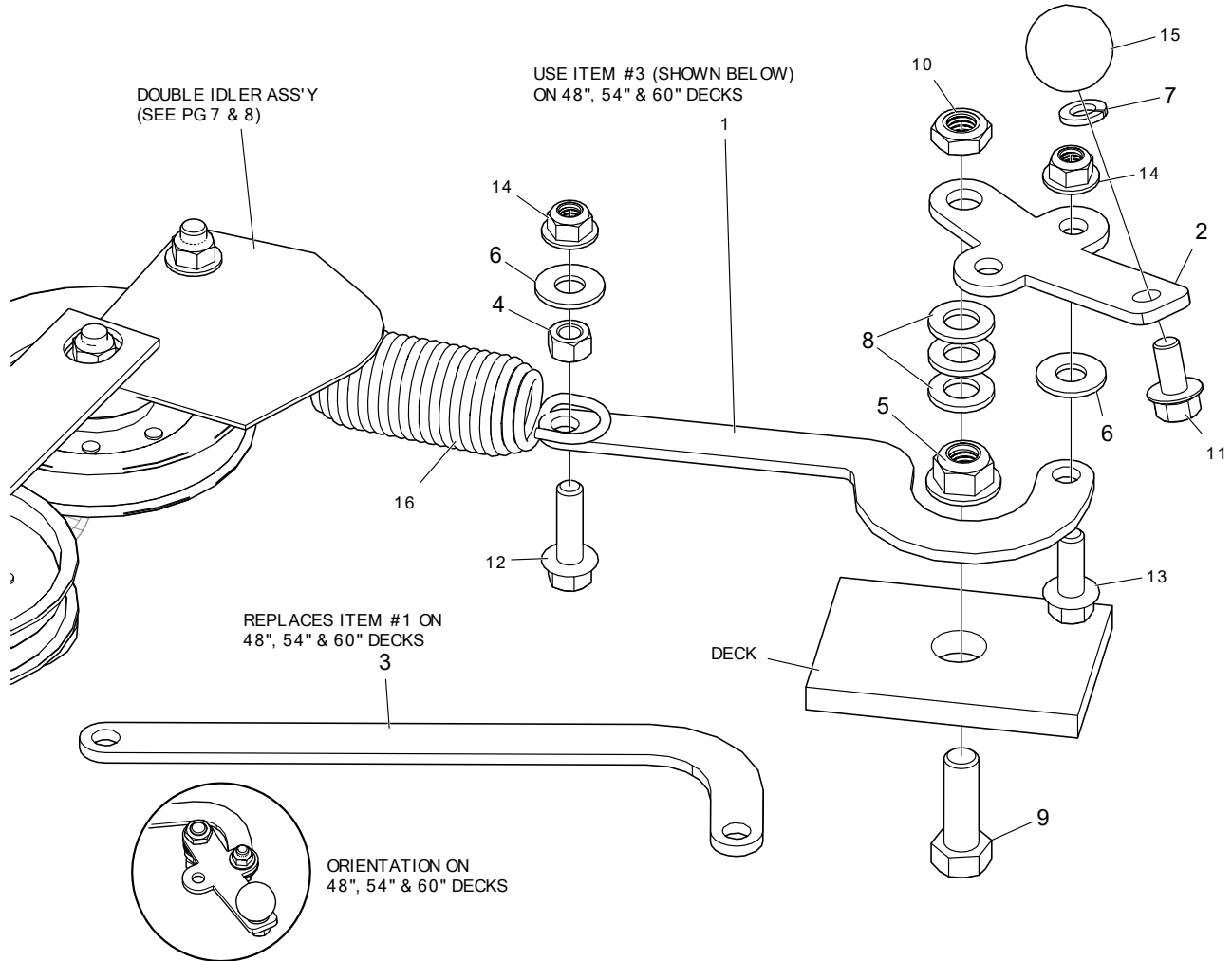
| ITEM # | QTY | PART # | DESCRIPTION                            |
|--------|-----|--------|--|
| 14     | 4   | F-2147 | FHCS, 3/8-16 X 1-1/2", YZ, GR5         |
| 15     | 4   | F-2151 | NUT, 3/8-16 NYLOC, FLANGED, YZ         |
| 16     | 1   | H-2882 | BLADE, HL, 16.928, 48 (STANDARD)       |
| -      | 1   | H-2883 | BLADE, HL, 18.375, 54 (STANDARD)       |
| -      | 1   | H-2885 | BLADE, HL, 20.953, 42 & 60 (STANDARD)  |
| -      | 1   | H-2884 | BLADE, HL FUSION, 18.375, 54           |
| -      | 1   | H-2886 | BLADE, HL FUSION, 20.953, 42 & 60      |
| -      | 1   | H-2659 | BLADE, 16.928 X .63, LOW LIFT, 48      |
| -      | 1   | H-2660 | BLADE, 18.375 X .63, LOW LIFT, 54      |
| -      | 1   | H-2661 | BLADE, 20.953 X .63, LOW LIFT, 42 & 60 |
| -      | 1   | H-2665 | BLADE, 16.928 X .63, GATOR, 48         |
| -      | 1   | H-2666 | BLADE, 18.375 X .63, GATOR, 54         |
| -      | 1   | H-2667 | BLADE, 20.86 X .63, GATOR, 42 & 60     |



| ITEM # | QTY | PART #    | DESCRIPTION                                  |
|--------|-----|-----------|--|
| 1      | 2   | 620-201P  | WASHER, BEARING CAP                          |
| 2      | 1   | 660-110P  | BELT KEEPER, B BELT                          |
| 3      | 1   | 660-135P  | MOUNTING PIN                                 |
| 4      | 1   | 660-147A  | IDLER ARM ASSEMBLY                           |
| 5      | 2   | 668-021P  | SPACER, BELT GUARD                           |
| 6      | 1   | 668-029P  | BELT GUARD                                   |
| 7      | 2   | D-3730    | BUSHING, DU 5/8 DIA X 1/2 LG                 |
| 8      | 1   | D-3923    | PULLEY, V-IDLER, 4.59OD, AB, NTN             |
| 9      | 1   | D-3924    | PULLEY, FLAT IDLER, 4.25 OD, NTN, DBL INSERT |
| 10     | 6   | F-1009-03 | WASHER, FLAT, STD, STEEL 3/8" W SERIES       |
| 11     | 1   | F-1268    | HHCS, 3/8-16 X 2-1/4", YZ, GR5               |
| 12     | 1   | F-1464    | LOCKWASHER, 1/2"                             |
| 13     | 1   | F-1489    | NUT, HEX, JAM, 1/2-13, YZ                    |
| 14     | 1   | F-1521    | WASHER, 1/2" CUSTOM, YZ                      |
| 15     | 1   | F-1616    | CAPSCREW, 3/8-16 X 3-1/4 GR. 5               |
| 16     | 1   | F-1822    | BOLT, CARRIAGE, 1/2-13 X 2-1/4", YZ, GR5     |
| 17     | 1   | F-1966    | NUT, THIN, 1/2-13, NYLOC, YZ                 |
| 18     | 1   | F-1976    | BOLT, CARRIAGE, 3/8-16 X 2", YZ, GR5         |
| 19     | 1   | F-2102    | WASHER, 2.25 OD X .406 ID X 7GA, YZ          |
| 20     | 3   | F-2151    | NUT, 3/8-16 NYLOC, FLANGED, YZ               |



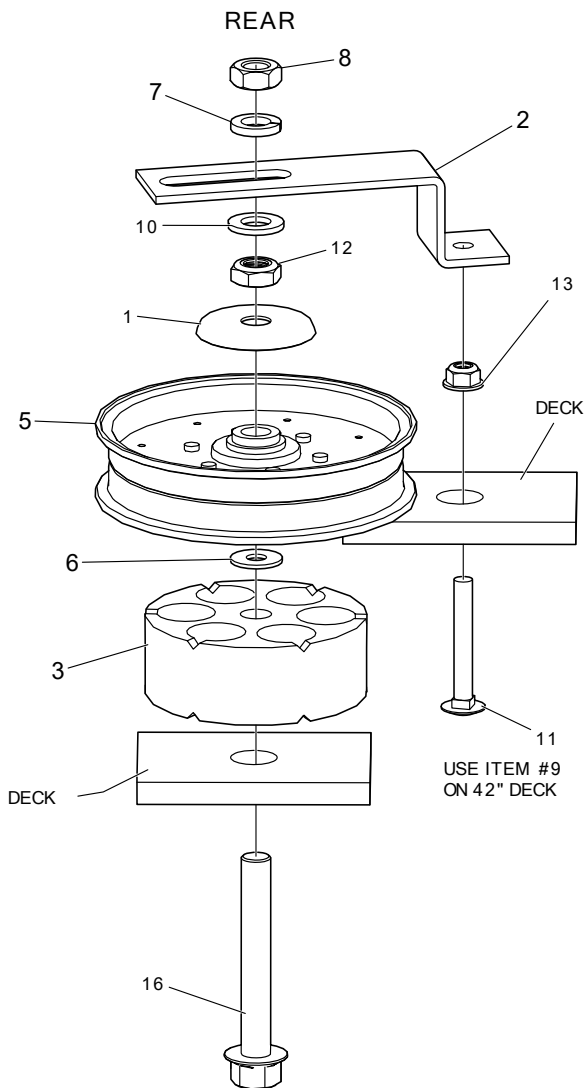
| ITEM # | QTY | PART #    | DESCRIPTION                                  |
|--------|-----|-----------|--|
| 1      | 2   | 620-201P  | WASHER, BEARING CAP                          |
| 2      | 1   | 660-081P  | EXTENSION, SPRING                            |
| 3      | 1   | 660-110P  | BELT KEEPER, B BELT                          |
| 4      | 1   | 660-135P  | MOUNTING PIN                                 |
| 5      | 1   | 660-147A  | IDLER ARM ASSEMBLY                           |
| 6      | 1   | 668-021P  | SPACER, BELT GUARD                           |
| 7      | 1   | 714-183P  | BELT GUARD, 54"                              |
| 9      | 2   | D-3730    | BUSHING, DU 5/8 DIA X 1/2 LG                 |
| 10     | 1   | D-3923    | PULLEY, V-IDLER, 4.59OD, AB, NTN             |
| 11     | 1   | D-3924    | PULLEY, FLAT IDLER, 4.25 OD, NTN, DBL INSERT |
| 12     | 2   | F-1005-03 | NUT, 3/8-16, CENTERLOCK, YZ, GR5             |
| 13     | 6   | F-1009-03 | WASHER, FLAT, 3/8, YZ                        |
| 14     | 1   | F-1268    | HHCS, 3/8-16 X 2-1/4", YZ, GR5               |
| 15     | 1   | F-1394    | HHCS, 3/8-16NC X 1", GR.5, YELLOW PLATED     |
| 16     | 1   | F-1464    | LOCKWASHER, 1/2"                             |
| 17     | 1   | F-1489    | NUT, HEX, JAM, 1/2-13, YZ                    |
| 18     | 1   | F-1521    | WASHER, 1/2" CUSTOM, YZ                      |
| 19     | 1   | F-1733    | DRIVE SCREW, 1/4" X 1/2", RND HD             |
| 20     | 1   | F-1822    | BOLT, CARRIAGE, 1/2-13 X 2-1/4", YZ, GR5     |
| 21     | 1   | F-1966    | NUT, THIN, 1/2-13, NYLOC, YZ                 |
| 22     | 2   | F-1976    | BOLT, CARRIAGE, 3/8-16 X 2", YZ, GR5         |
| 23     | 2   | F-2102    | WASHER, 2.25 OD X .406 ID X 7GA, YZ          |
| 24     | 3   | F-2151    | NUT, 3/8-16 NYLOC, FLANGED, YZ               |



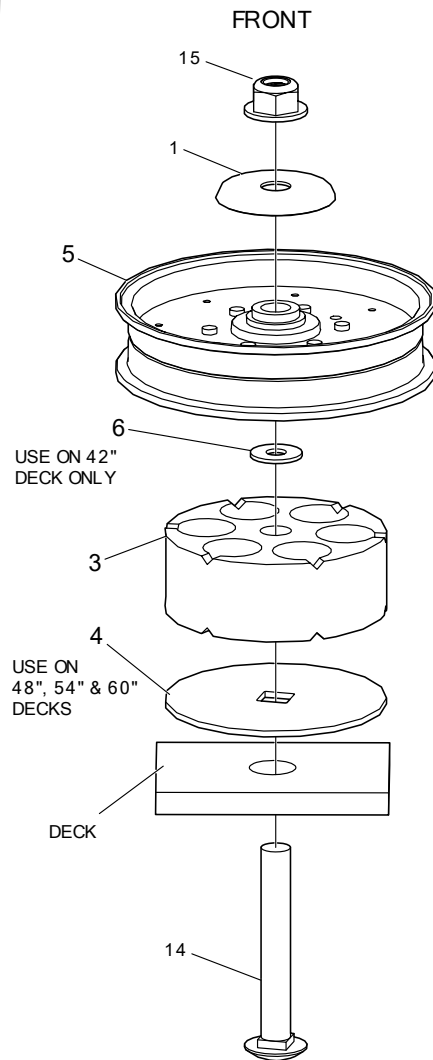
| ITEM # | QTY | PART #    | DESCRIPTION  |
|--------|-----|-----------|--|
| 1      | 1   | 660-031P  | BELT TIGHTENER ARM                                       |
| 2      | 1   | 660-184P  | HANDLE, BELT TENSIONER                                   |
| 3      | 1   | 714-180P  | BELT TENSION ARM   |
| 4      | 1   | F-1005-03 | NUT, 3/8-16, CENTERLOCK, YZ, GR5                         |
| 5      | 1   | F-2152    | NUT, 1/2-13, NYLOC, FLANGED, YZ                          |
| 6      | 2   | F-1009-03 | WASHER, FLAT, STD, STEEL 3/8" W SERIES                   |
| 7      | 1   | F-1019-03 | LOCKWASHER, HVY, 3/8, YZ                                 |
| 8      | 3   | F-1521    | WASHER, 1/2" CUSTOM, YZ                                  |
| 9      | 1   | F-1526    | HHSCREW, 1/2-13 UNC X 1-1/2 GR. 5 YELLOW PLATED          |
| 10     | 1   | F-1966    | NUT, THIN, 1/2-13, NYLOC, YZ                             |
| 11     | 1   | F-2124    | FHCS, 3/8-16 X 3/4", YZ, GR5                             |
| 12     | 1   | F-2125    | FHCS, 3/8-16 X 1-1/4", YZ, GR5                           |
| 13     | 1   | F-2141    | FHCS, 3/8-16 X 1", YZ, GR5                               |
| 14     | 2   | F-2151    | NUT, 3/8-16 NYLOC, FLANGED, YZ                           |
| 15     | 1   | H-2405    | BALL, 1-1/4", 3/8-16THRD, BLK THERMOPLASTIC STEEL INSERT |
| 16     | 1   | H-2619    | SPRING, 5 X 1-1/2, TAPERED ENDS                          |



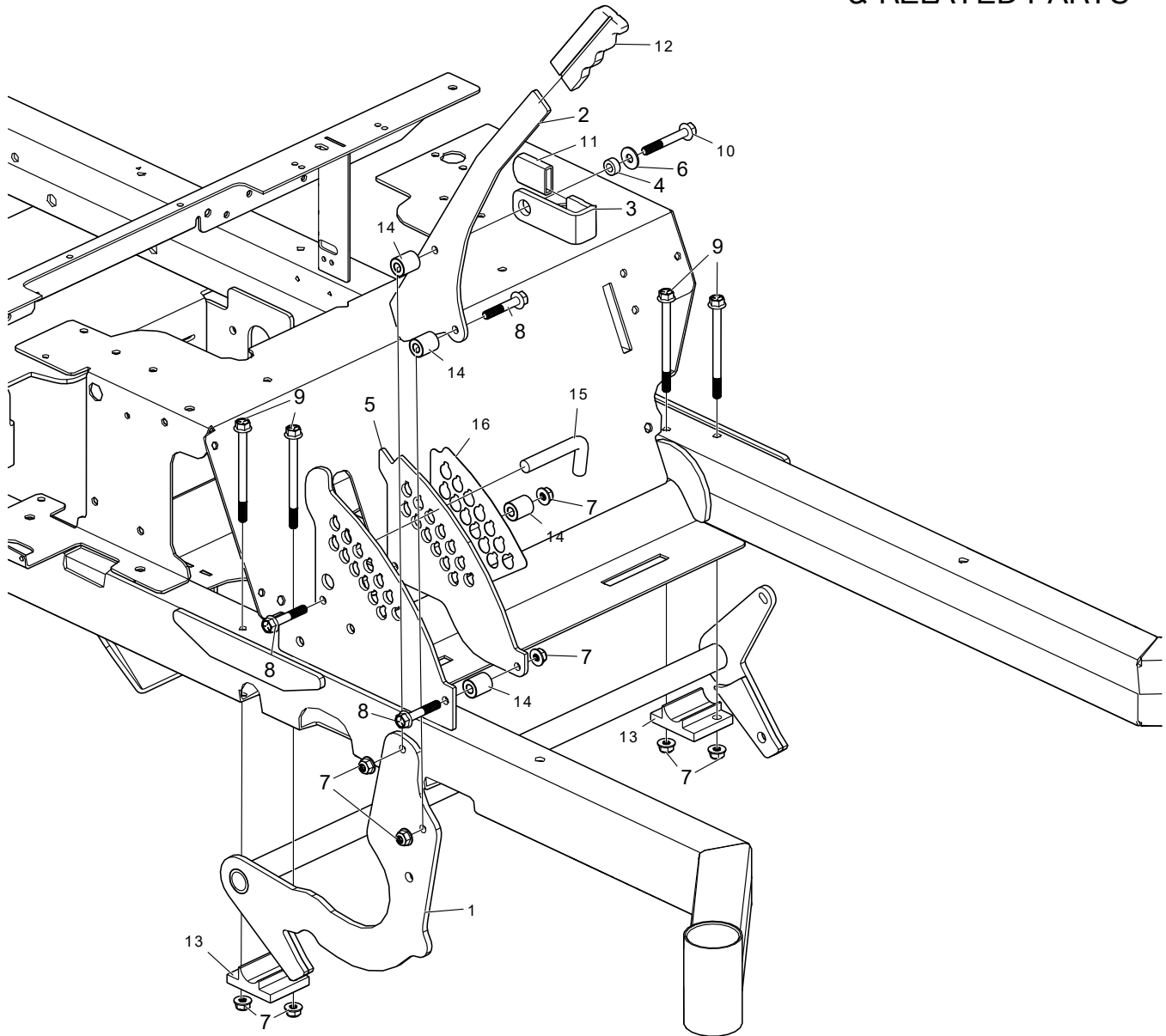
AVENUE/BOULEVARD  
(A115/B215)



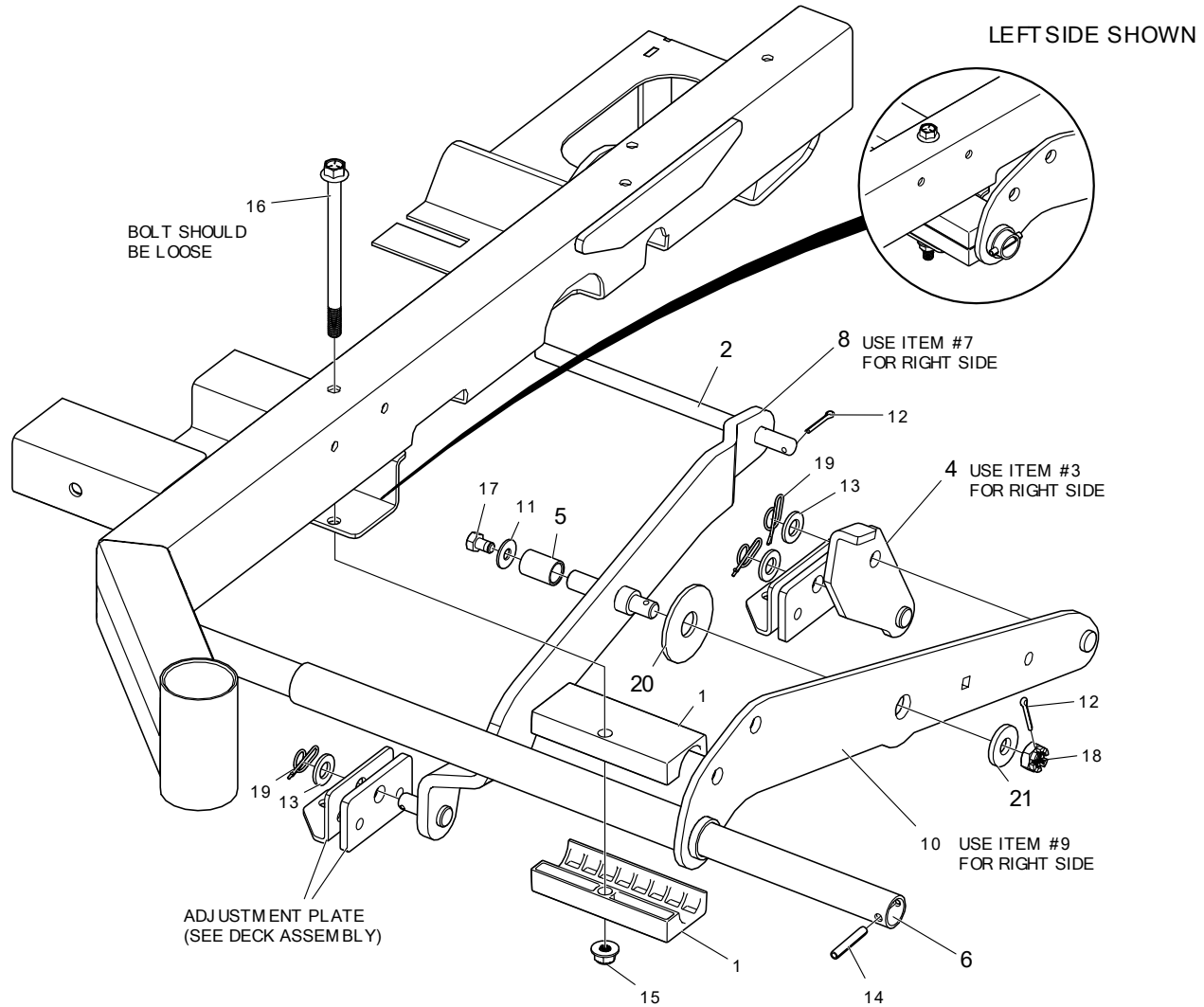
FIXED IDLER ASSEMBLIES



| ITEM # | QTY | PART #    | DESCRIPTION                                    |
|--------|-----|-----------|--|
| 1      | 2   | 620-201P  | WASHER, BEARING CAP                            |
| 2      | 1   | 660-114P  | BELT KEEPER, SINGLE END                        |
| 3      | 2   | 660-148P  | SPACER, IDLER MOUNT                            |
| 4      | 1   | 660-207P  | WASHER, 1/2" CARRIAGE BOLT                     |
| 5      | 2   | D-3904    | PULLEY, FLAT IDLER, 5"                         |
| 6      | 2   | f-1009-05 | WASHER, FLAT, 1/2, YZ                          |
| 7      | 1   | F-1464    | LOCKWASHER, 1/2"                               |
| 8      | 1   | F-1489    | NUT, HEX, JAM, 1/2-13, YZ                      |
| 9      | 1   | F-1518    | CAPSCREW, 5/16-18 X 2-1/2 F.T. ZINC PLATED GR2 |
| 10     | 1   | F-1521    | WASHER, 1/2" CUSTOM, YZ                        |
| 11     | 1   | F-1707    | CARRIAGE BOLT, 5/16-18 X 2-1/4 ZINC PLATED     |
| 12     | 1   | F-1966    | NUT, THIN, 1/2-13, NYLOC, YZ                   |
| 13     | 1   | F-2063    | NUT, 5/16-18, NYLOC, FLANGED, YZ               |
| 14     | 1   | F-2106    | BOLT, CARRIAGE, 1/2-13 X 3-1/2", YZ, GR5       |
| 15     | 1   | F-2152    | NUT, 1/2-13 NYLOC, FLANGED, YZ                 |
| 16     | 1   | F-2269    | FHCS, 1/2-13 X 3-3/4", YZ GR8                  |



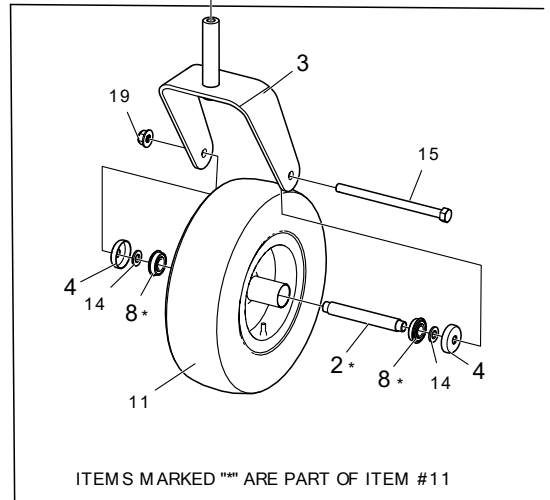
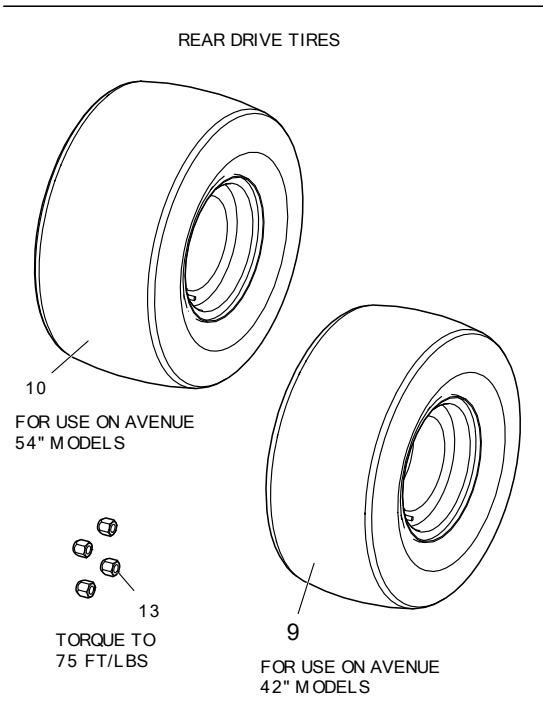
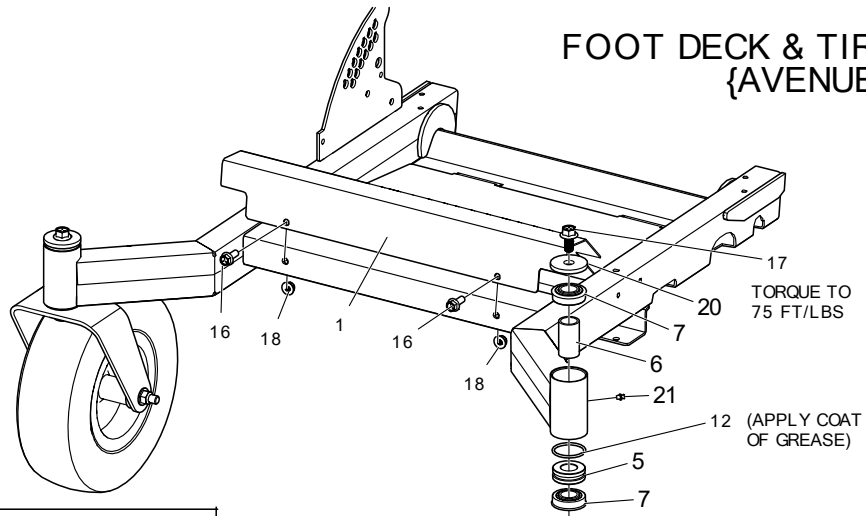
| ITEM # | QTY | PART #    | DESCRIPTION                      |
|--------|-----|-----------|----------------------------------|
| 1      | 1   | 714-049W  | WLDT, LIFT HANDLE                |
| 2      | 1   | 714-364P  | PLT, CUT HT LEVER                |
| 3      | 1   | 720-041P  | PLATE, CATCH                     |
| 4      | 1   | 720-042P  | SPACER, LATCH PIVOT              |
| 5      | 1   | 721-012P  | PLT, HEIGHT ADJUST, INSIDE       |
| 6      | 1   | F-1009-02 | WASHER, FLAT                     |
| 7      | 8   | F-2063    | NUT, 5/16-18, NYLOC, FLANGED, YZ |
| 8      | 3   | F-2123    | FHCS, 5/16-18 X 1-3/4", YZ, GR5  |
| 9      | 4   | F-2220    | FHCS, 5/16-18 X 4", YZ, GR5      |
| 10     | 1   | F-2248    | FHCS, 5/16-18 X 2-1/4", YZ, GR8  |
| 11     | 1   | H-1850    | GRIP, VINYL                      |
| 12     | 1   | H-1926    | 1/4" X 1" HANDLE GRIP            |
| 13     | 2   | H-2960    | HANGER BEARING                   |
| 14     | 4   | H-2963    | SPACER, HANDLE                   |
| 15     | 1   | H-3013    | DECK HEIGHT PIN                  |
| 16     | 1   | P-13271   | DECAL, 4-1/2" DECK HEIGHT        |



| ITEM # | QTY | PART #    | DESCRIPTION                               |
|--------|-----|-----------|---|
| 1      | 4   | 714-028P  | BEARING, DECK PIVOT                       |
| 2      | 1   | 714-045P  | PIN, REAR STOP                            |
| 3      | 1   | 714-207W  | WLDT, DROP LINK, RH                       |
| 4      | 1   | 714-208W  | WLDT, DROP LINK, LH                       |
| 5      | 2   | 714-260P  | SLEEVE, ROLLER                            |
| 6      | 1   | 714-273P  | PIN, DECK HINGE                           |
| 7      | 1   | 720-024W  | WLDT, SCISSOR BAR, R                      |
| 8      | 1   | 720-025W  | WLDT, SCISSOR BAR, L                      |
| 9      | 1   | 720-029W  | WLDT, DECK MOUNT, R                       |
| 10     | 1   | 720-030W  | WLDT, DECK MOUNT, L                       |
| 11     | 2   | F-1009-02 | WASHER, FLAT                              |
| 12     | 4   | F-1491    | COTTER PIN, 1/81X                         |
| 13     | 6   | F-1521    | WASHER, 1/2" CUSTOM, YZ                   |
| 14     | 2   | F-2009    | ROLL PIN, SPIROL, 1/4 X 1-1/2"            |
| 15     | 2   | F-2151    | NUT, 3/8-16 NYLOC, FLANGED, YZ            |
| 16     | 2   | F-2193    | FHCS, 3/8-16 X 5-1/2", YZ, GR5            |
| 17     | 2   | F-2223    | HHCS, 5/16-18 X 1/2", NY PATCH, ZINC, GR5 |
| 18     | 2   | F-2236    | CASTLE NUT, 1/2-20                        |
| 19     | 6   | H-2239    | 1/2" RUE RING                             |
| 20     | 2   | H-3038    | SPACER, SCISSOR                           |
| 21     | 2   | H-3039    | WASHER, SPECIAL, 1/2" X 1-1/4"            |

AVENUE/BOULEVARD  
(A115/B215)

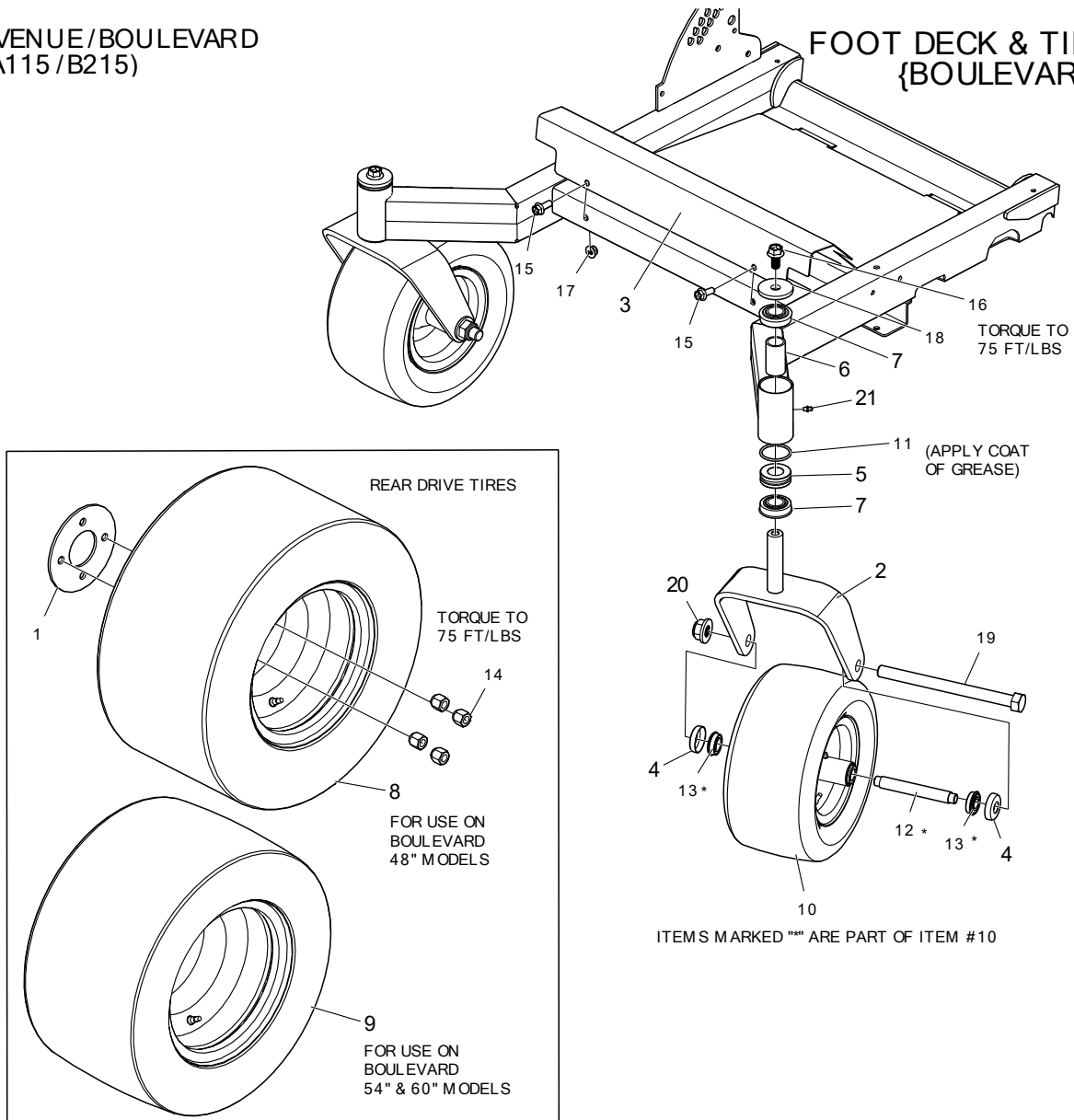
FOOT DECK & TIRES  
{AVENUE}



| ITEM # | QTY | PART #    | DESCRIPTION   |
|--------|-----|-----------|---|
| 1      | 1   | 714-046P  | PLATE, FLOOR  |
| 2      | 2   | 714-225P  | SPACER, CASTER BEARING                                      |
| 3      | 2   | 714-227W  | WLDT, CASTER YOKE   |
| 4      | 4   | 714-277P  | CAP, BEARING, SMALL   |
| 5      | 2   | 720-047P  | DRAG RING – SERIAL RANGE: 21286001 - 22074999               |
| -      | 2   | 720-135P  | DRAG RING, (FOR 5MM O-RING) – SERIAL RANGE: 22075001 -      |
| 6      | 2   | 720-048P  | SPACER, BEARING, CASTER                                     |
| 7      | 4   | D-2008-02 | BEARING, SPD, SF-16-32                                      |
| 8      | 4   | D-3432    | BEARING, 5/8 I.D. X 1-3/8 O.D.                              |
| 9      | 2   | D-4028    | TIRE, 18 X 8.5-8 TURFMASTER, BLACK                          |
| 10     | 2   | D-4029    | TIRE, 18 X 9.50-8, TURF MASTER, BLACK                       |
| 11     | 2   | D-4027    | TIRE ASSY, 13 X 5-6, BLACK, SM BEARING, SMOOTH              |
| 12     | 2   | D-3969    | O-RING, 70 DURO NITRILE – SERIAL RANGE: 21286001 - 22074999 |
| -      | 2   | D-4190    | O-RING, 5MM X 44MM I.D. – SERIAL RANGE: 22075001 -          |
| 13     | 8   | F-1499    | LUG NUT, 1/2-20, YZ   |
| 14     | 4   | F-1521    | WASHER, 1/2" CUSTOM, YZ                                     |
| 15     | 2   | F-1663    | HHCS, 1/2-13 X 7-1/2", YZ, GR5                              |
| 16     | 2   | F-2141    | FHCS, 3/8-16 X 1", YZ, GR5                                  |
| 17     | 2   | F-2143    | FHCS, 1/2-13 X 1", YZ, GR5                                  |
| 18     | 2   | F-2151    | NUT, 3/8-16 NYLOC, FLANGED, YZ                              |
| 19     | 2   | F-2152    | NUT, 1/2-13 NYLOC, FLANGED, YZ                              |
| 20     | 2   | F-2179    | WASHER, CASTER, .531 ID X 2.25 OD X .25THK, YZ              |
| 21     | 2   | H-1056    | 1/4" GREASE FITTING   |

AVENUE/BOULEVARD  
(A115/B215)

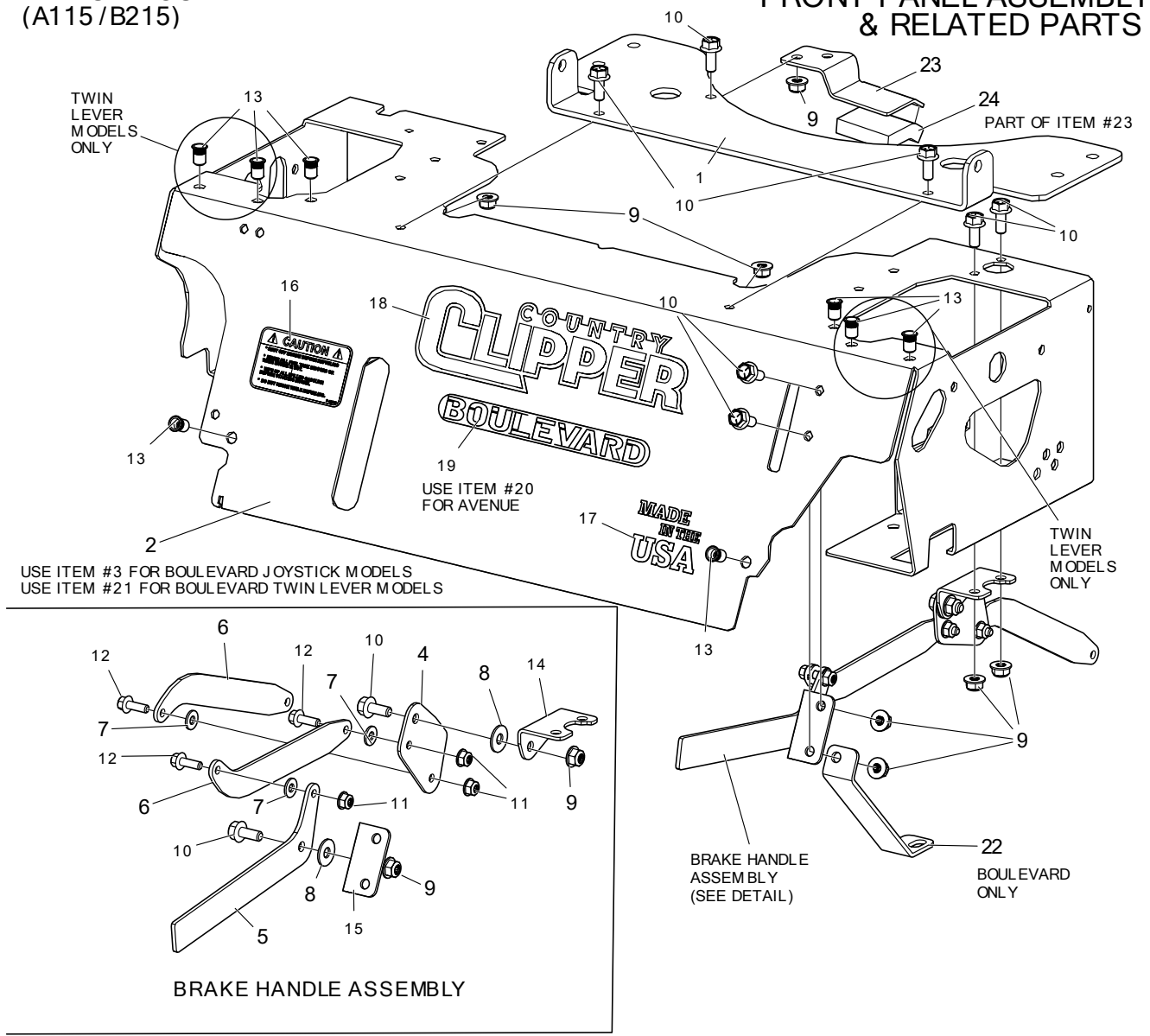
FOOT DECK & TIRES  
{BOULEVARD}



| ITEM # | QTY | PART #    | DESCRIPTION   |
|--------|-----|-----------|---|
| 1      | 2   | 659-092P  | WHEEL BACKING PLATE   |
| 2      | 2   | 714-219W  | WLDT, CASTER YOKE   |
| 3      | 1   | 714-046P  | PLATE, FLOOR  |
| 4      | 4   | 714-252P  | CAP, BEARING, SMALL, 3/4"                                   |
| 5      | 2   | 720-047P  | DRAG RING - SERIAL RANGE: 21286001 - 21353999               |
| -      | 2   | 720-135P  | DRAG RING, (FOR 5MM O-RING) - SERIAL RANGE: 21354001 -      |
| 6      | 2   | 720-048P  | SPACER, BEARING, CASTER                                     |
| 7      | 4   | D-2008-02 | BEARING, SPD, SF-16-32                                      |
| 8      | 2   | D-4031    | TIRE ASSY, 20 X 10-10, BLACK                                |
| 9      | 2   | D-4032    | TIRE ASSY 20 X 12-10, BLACK                                 |
| 10     | 2   | D-4030    | TIRE ASSY, 13 X 6.5-6, BLACK, SM BEARING, SMOOTH            |
| 11     | 2   | D-3969    | O-RING, 70 DURO NITRILE - SERIAL RANGE: 21286001 - 21353999 |
| -      | 2   | D-4190    | O-RING, 5MM X 44MM I.D. - SERIAL RANGE: 21354001 -          |
| 12     | 2   | D-3977    | SPACER FOR D-4030   |
| 13     | 4   | D-3978    | BEARING FOR D-4030  |
| 14     | 8   | F-1499    | LUG NUT, 1/2-20, YZ   |
| 15     | 2   | F-2141    | FHCS, 3/8-16 X 1", YZ, GR5                                  |
| 16     | 2   | F-2143    | FHCS, 1/2-13 X 1", YZ, GR5                                  |
| 17     | 2   | F-2151    | NUT, 3/8-16 NYLOC, FLANGED, YZ                              |
| 18     | 2   | F-2179    | WASHER, CASTER, .531 ID X 2.25 OD X .25THK, YZ              |
| 19     | 2   | F-2194    | HHCS, 3/4-10 X 9-1/2", YZ, GR5                              |
| 20     | 2   | F-2195    | NUT, FLANGE NYLOC, YZ                                       |
| 21     | 2   | H-1056    | 1/4" GREASE FITTING   |

AVENUE /BOULEVARD  
(A115 /B215)

FRONT PANEL ASSEMBLY  
& RELATED PARTS

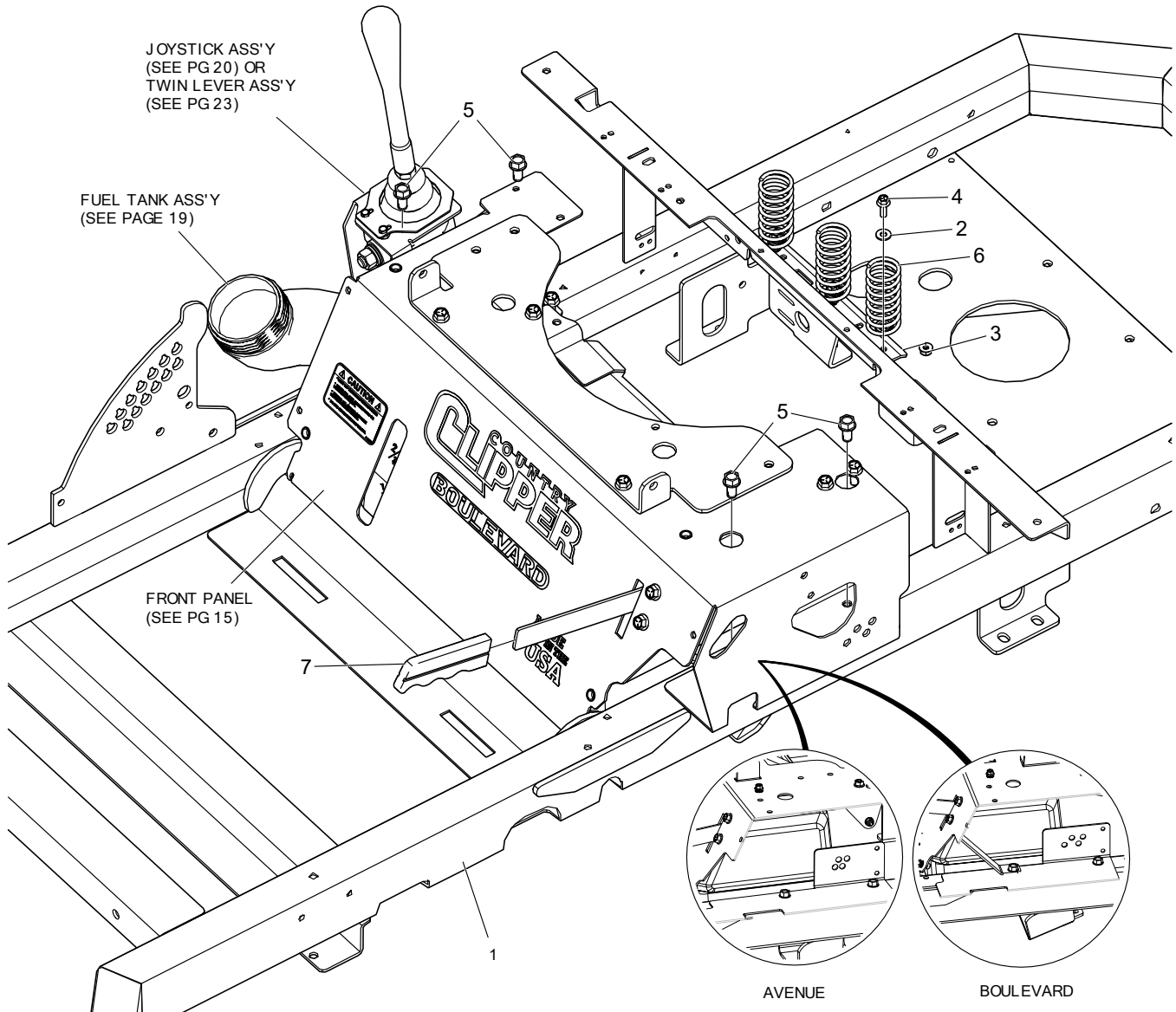


| ITEM # | QTY | PART #    | DESCRIPTION                      |
|--------|-----|-----------|----------------------------------|
| 1      | 1   | 720-113P  | PLATE, BASE, SEAT MOUNT          |
| 2      | 1   | 720-125A  | FRONT PANEL W/ DECALS, AVE, JS   |
| 3      | 1   | 720-127A  | FRONT PANEL W/ DECALS, BLVD, JS  |
| 4      | 1   | 714-345P  | CRANK PLATE, PARK BRAKE          |
| 5      | 1   | 714-346P  | HANDLE, PARK BRAKE               |
| 6      | 2   | 714-349P  | BAR, LINK, PARK BRAKE            |
| 7      | 3   | F-1009-01 | WASHER, FLAT STD, STEEL, 1/4" YZ |
| 8      | 2   | F-1009-02 | WASHER, FLAT                     |
| 9      | 9   | F-2063    | NUT, 5/16-18, NYLOC, FLANGED, YZ |
| 10     | 9   | F-2120    | FHCS, 5/16-18 X 3/4", YZ, GR5    |
| 11     | 3   | F-2132    | NUT, 1/4-20 NYLOC, FLANGED, YZ   |
| 12     | 3   | F-2162    | FHCS, 1/4-20 X 3/4", YZ, GR5     |

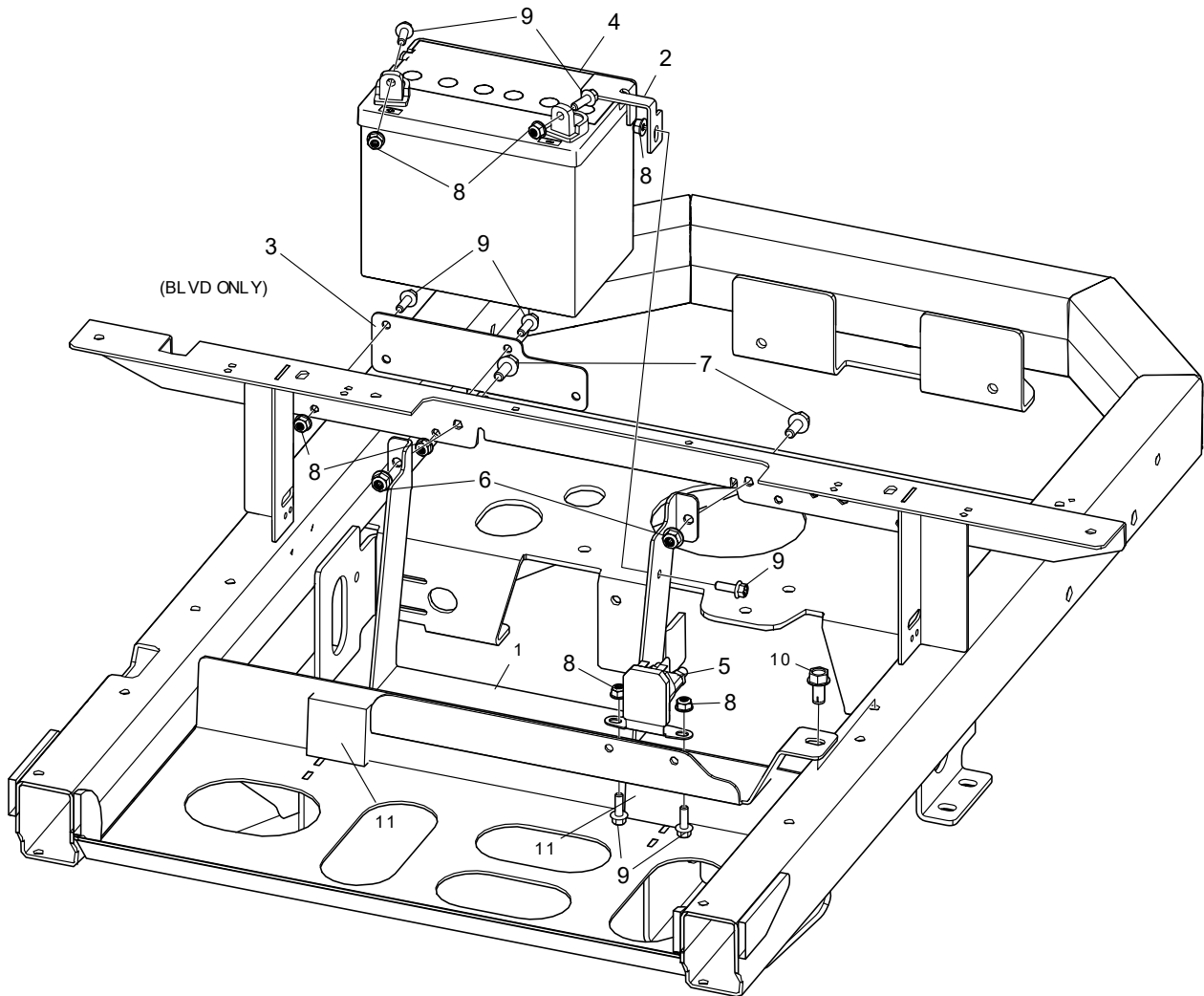
| ITEM # | QTY | PART #   | DESCRIPTION                             |
|--------|-----|----------|---|
| 13     | 8   | F-2229   | NUT, RIVET, 1/4-20, .027-.165 MAT'L THK |
| 14     | 1   | H-2934   | PIVOT, BRAKE CRANK                      |
| 15     | 1   | H-2935   | PLATE, BRAKE HANDLE                     |
| 16     | 1   | P-12557  | DECAL, "CAUTION FUEL"                   |
| 17     | 1   | P-13000  | DECAL, MADE IN THE USA                  |
| 18     | 1   | P-13312  | DECAL, LOGO, CHROME w/BLK, LG           |
| 19     | 1   | P-13314  | DECAL, BOULEVARD                        |
| 20     | 1   | P-13313  | DECAL, AVENUE                           |
| 21     | 1   | 720-128A | FRONT PANEL W/ DECALS, BLVD, TS         |
| 22     | 1   | 714-351P | BRACE, FRONT PANEL                      |
| 23     | 1   | 714-444A | TANK STOP - FOAM PADDED                 |
| 24     | 1   | H-2990   | NEOPRENE FOAM W/ (ADHESIVE) 1/2"        |

AVENUE/BOULEVARD  
(A115/B215)

FRONT PANEL ASSEMBLY  
& RELATED PARTS (CONT)

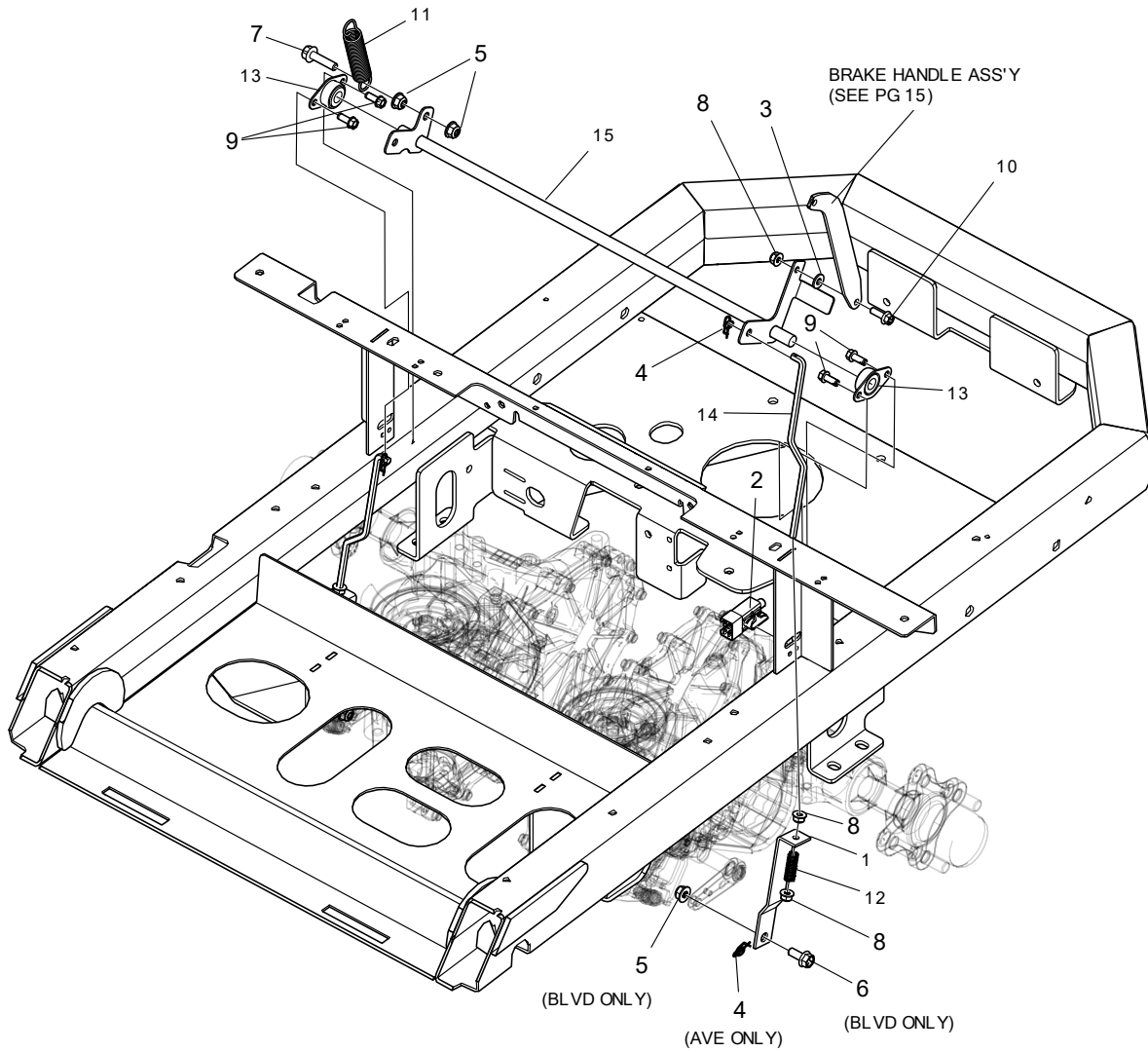


| ITEM # | QTY | PART #    | DESCRIPTION                                 |
|--------|-----|-----------|---|
| 1      | 1   | H-3195    | WLDT, FRAME, FIXED FRONT END                |
| 2      | 3   | F-1009-01 | WASHER, FLAT STD, STEEL, 1/4" YELLOW PLATED |
| 3      | 3   | F-2132    | NUT, 1/4-20 NYLOC, FLANGED, YZ              |
| 4      | 3   | F-2162    | FHCS, 1/4-20 X 3/4", YZ, GR5                |
| 5      | 4   | F-2219    | HFCS, 3/8-16 X 3/4", CZ, THD FORMING        |
| 6      | 3   | H-1920    | SPRING, SEAT                                |
| 7      | 1   | H-1926    | 1/4" X 1" HANDLE GRIP                       |



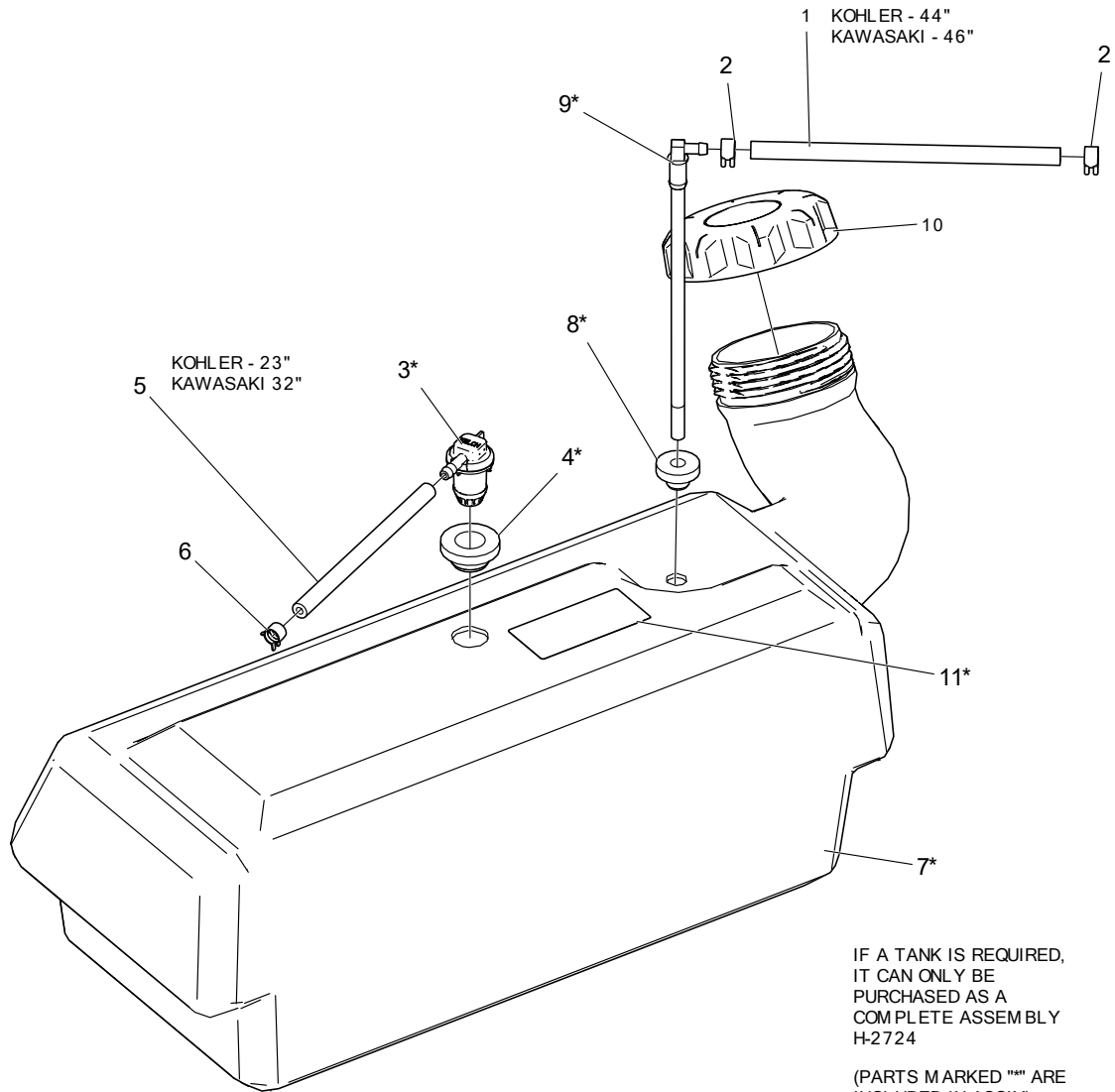
| ITEM # | QTY | PART #   | DESCRIPTION                                     |
|--------|-----|----------|---|
| 1      | 1   | 714-034P | BOX, BATTERY                                    |
| 2      | 1   | 714-430P | PLT, BATTERY HOLD DOWN                          |
| 3      | 1   | 721-029P | PLT, TANK MOUNT                                 |
| 4      | 1   | E-6604   | BATTERY, 12V, 150CCA                            |
| 5      | 1   | E-6612   | SOLENOID, 12V STARTER, 4 TERM, UNSEALED         |
| 6      | 2   | F-2063   | NUT, 5/16-18, NYLOC, FLANGED, YZ                |
| 7      | 2   | F-2120   | FHCS, 5/16-18 X 3/4", YZ, GR5                   |
| 8      | 7   | F-2132   | NUT, 1/4-20 NYLOC, FLANGED, YZ                  |
| 9      | 7   | F-2162   | FHCS, 1/4-20 X 3/4", YZ, GR5                    |
| 10     | 1   | F-2219   | HFCS, 3/8-16 X 3/4", CZ, THD FORMING            |
| 11     | 2   | H-2990   | WEATHER-RESISTANT NEOPRENE FOAM (ADHESIVE) 1/2" |



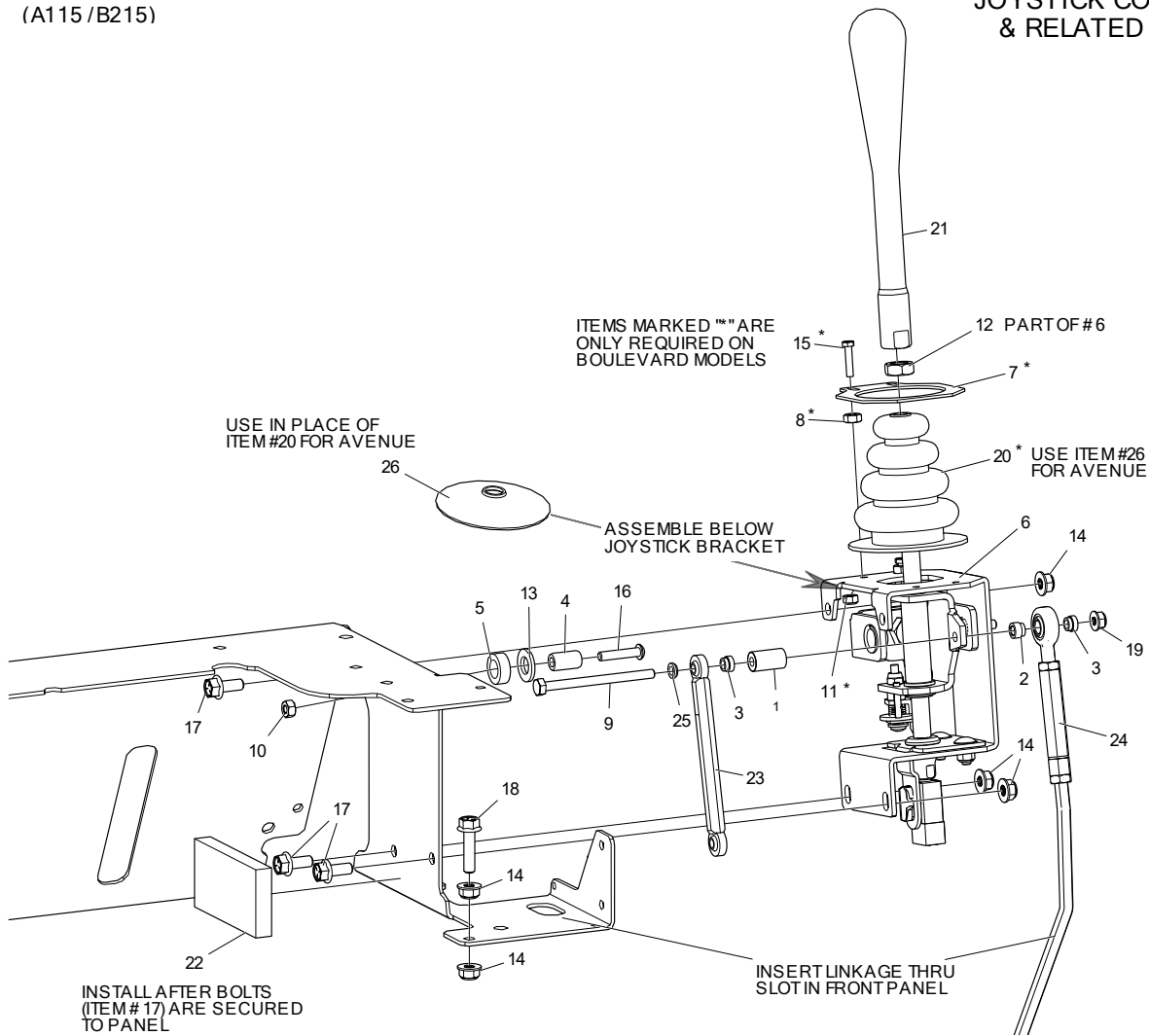


| ITEM # | QTY | PART #    | DESCRIPTION                               |
|--------|-----|-----------|---|
| 1      | 2   | 659-159P  | BRAKE LINK                                |
| 2      | 1   | E-6692    | PLUNGER SWITCH, RAIL MOUNT                |
| 3      | 1   | F-1009-01 | FLAT WASHER, 1/4", YZ                     |
| 4      | 4   | F-1492    | RUE RING, 5/16                            |
| 5      | 4   | F-2063    | NUT, 5/16-18, NYLOC, FLANGED, YZ          |
| 6      | 2   | F-2120    | FHCS, 5/16-18 X 3/4", YZ, GR5             |
| 7      | 1   | F-2122    | FHCS, 5/16-18 X 1-1/4", YZ, GR5, FULL THD |
| 8      | 5   | F-2132    | NUT, 1/4-20 NYLOC, FLANGED, YZ            |
| 9      | 4   | F-2134    | HFCS, 1/4-20 X 0.625", YZ, SELF TAPPING   |
| 10     | 1   | F-2162    | FHCS, 1/4-20 X 3/4", YZ, GR5              |
| 11     | 1   | H-1635    | SPRING, EXT, 3/4" OD X 4" OAL             |
| 12     | 2   | H-1637    | COMPRESSION SPRING, .045 X .420 X 1.25    |
| 13     | 2   | H-2921    | FLANGE BEARING-0.500"                     |
| 14     | 2   | H-2924    | BRAKE LINK ROD                            |
| 15     | 1   | H-2953    | WLDT, PARK BRAKE                          |

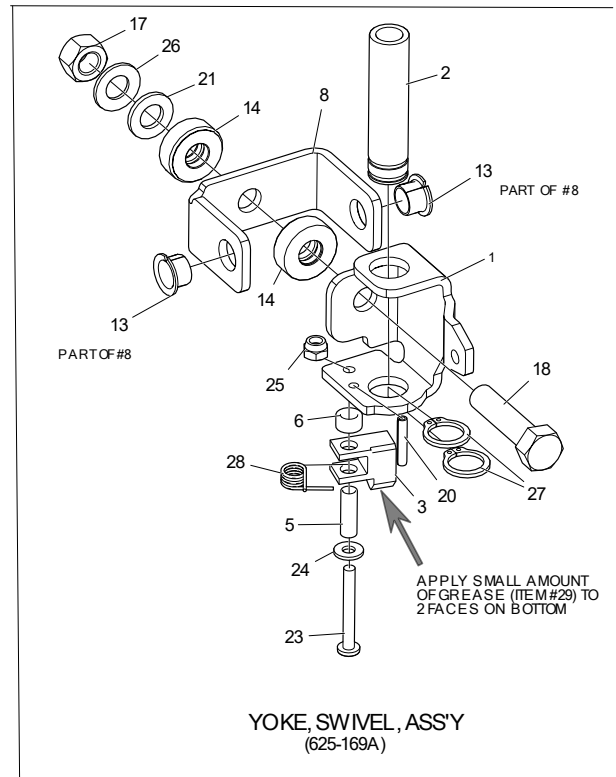
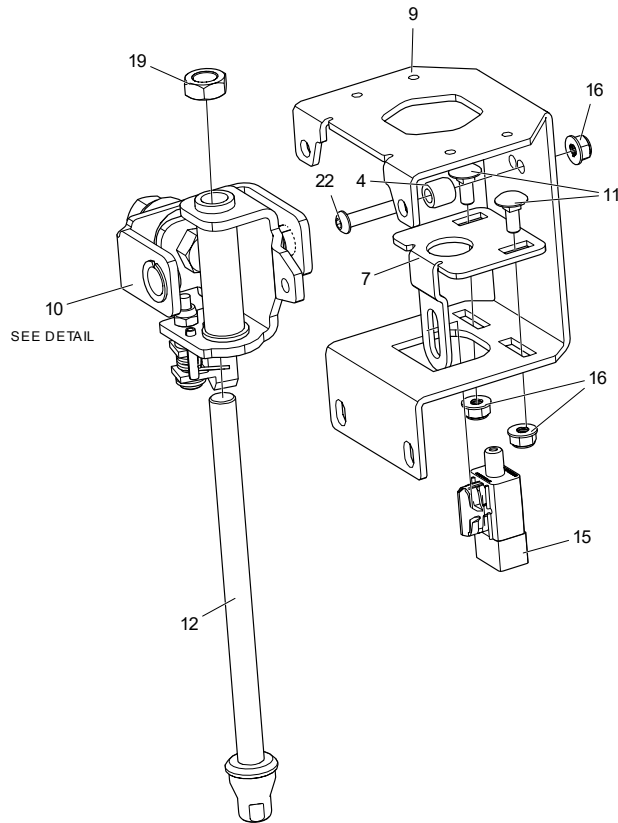
FUEL TANK ASSEMBLY



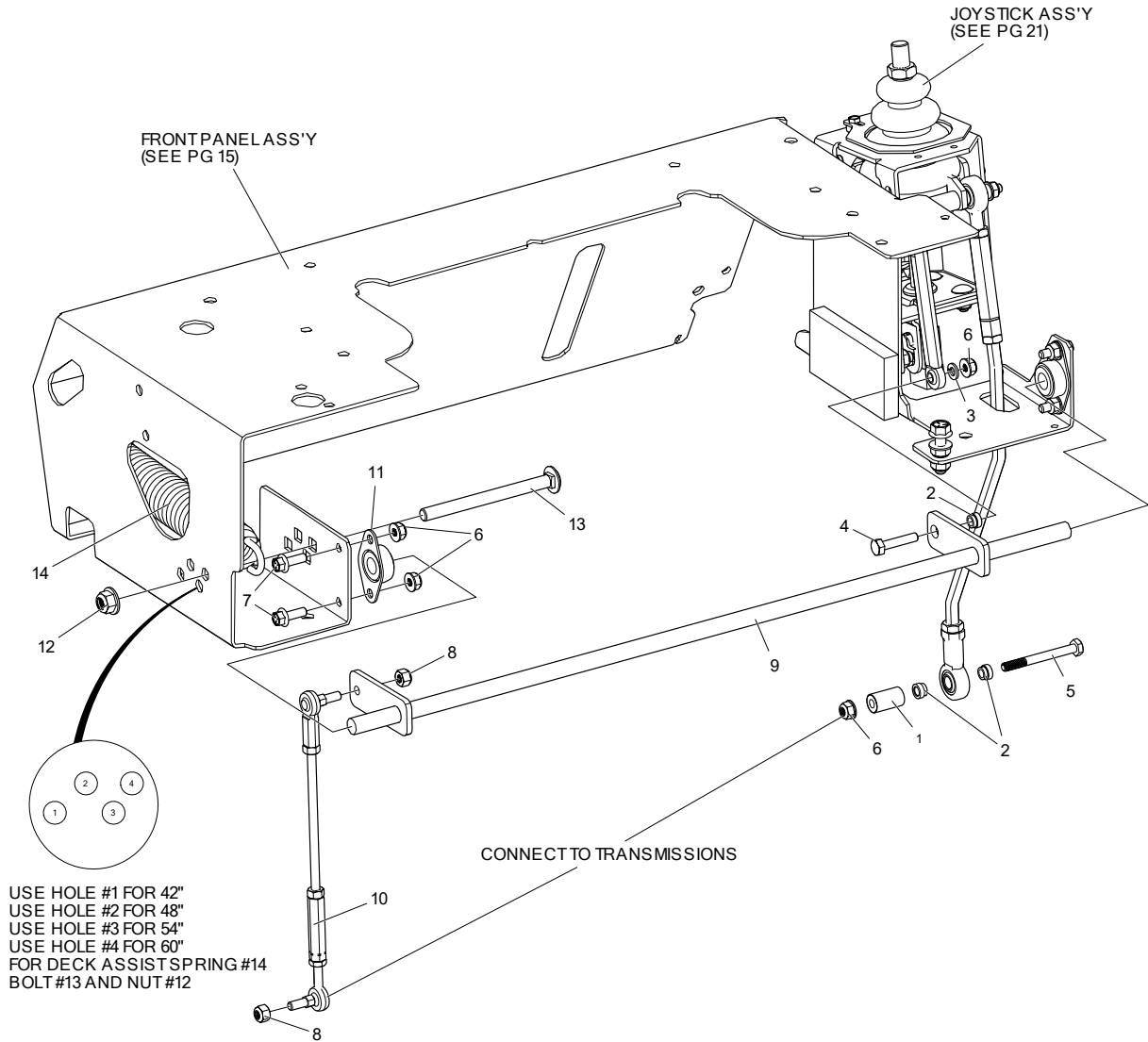
| ITEM # | QTY | PART #  | DESCRIPTION                          |
|--------|-----|---------|--------------------------------------|
| 1      | 1   | H-1648  | FUEL LINE, 1/2" O.D., 1/4" I.D.      |
| 2      | 2   | H-1687  | 1/2 O.D. HOSE SPRING CLAMP           |
| 3      | 1   | H-2678  | KELCH REMOTE VENT                    |
| 4      | 1   | H-2679  | KELCH REMOTE VENT GROMMET            |
| 5      | 1   | H-2697  | HOSE, FUEL LINE .188 ID X .406 OD    |
| 6      | 1   | H-2698  | CLAMP, .406 OD FUEL LINE             |
| 7      | 1   | H-2724  | ASSEMBLY, FUEL TANK, SMALL           |
| 8      | 1   | H-2741  | GROMMET, PICK UP TUBE (DAPCO #12240) |
| 9      | 1   | H-2742  | PICK UP TUBE (DAPCO INDUSTRIES)      |
| 10     | 1   | H-2743  | RATCHET CAP, W/TETHER, 3.5 DIA       |
| 11     | 1   | P-12922 | VENDOR SUPPLIED EPA CERT. LABEL      |



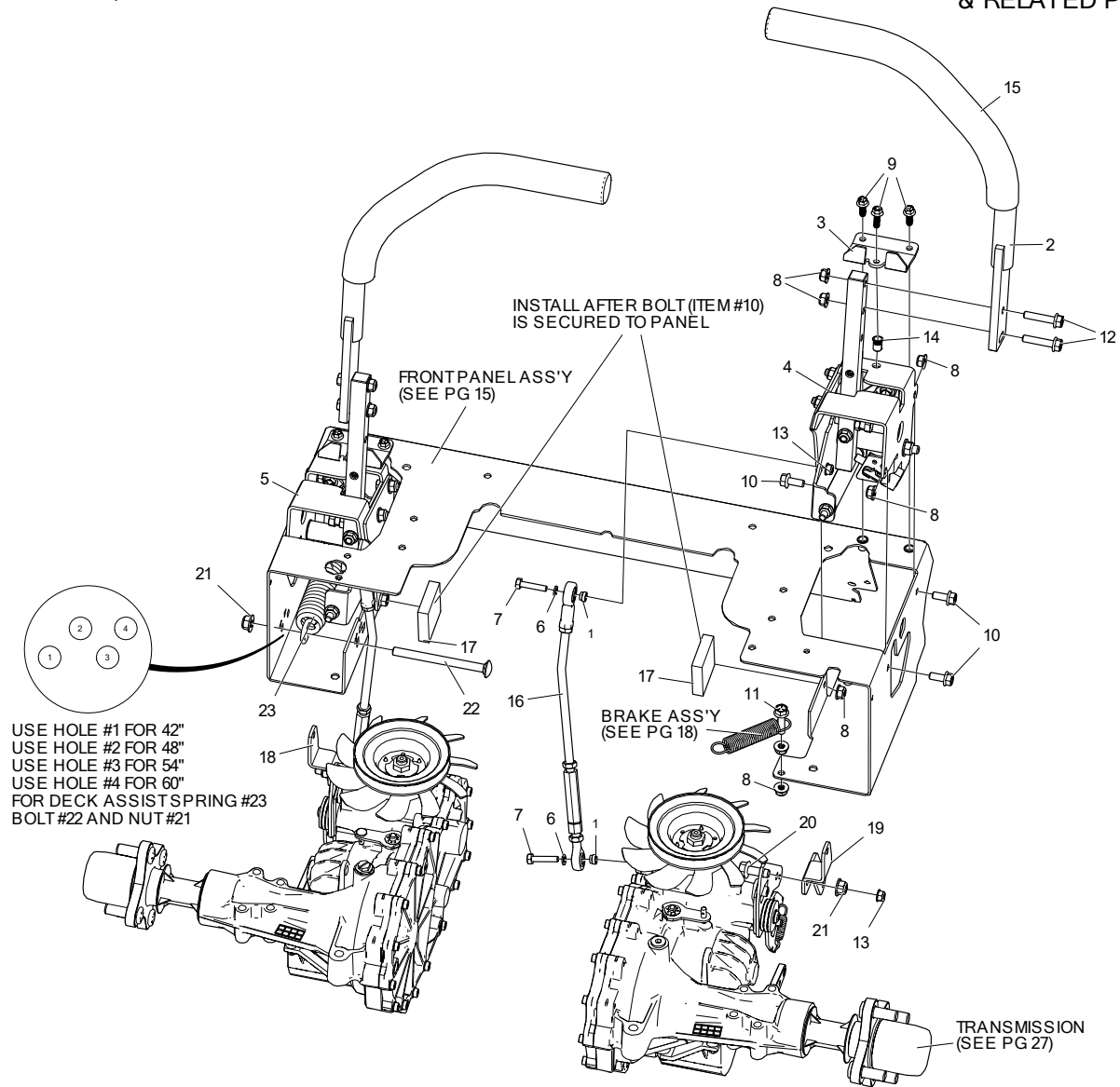
| ITEM # | QTY | PART #    | DESCRIPTION                                     |
|--------|-----|-----------|---|
| 1      | 1   | 625-100P  | TUBE, PIVOT, JOYSTICK                           |
| 2      | 1   | 625-107P  | BUSHING, .375 ROD END                           |
| 3      | 2   | 625-116P  | BUSHING, .375 ROD END, SHORT                    |
| 4      | 1   | 625-119P  | PIN, PIVOT, JS, LONG                            |
| 5      | 1   | 625-126P  | SPACER, JOYSTICK PANEL                          |
| 6      | 1   | 714-455A  | RH JOYSTICK ASSEMBLY                            |
| 7      | 1   | 720-038P  | PLT, BOOT RETAINER                              |
| 8      | 2   | F-1011-01 | NUT, HEX, 1/4-20 UNC-2B YELLOW PLATED           |
| 9      | 1   | F-1020-01 | CAPSCREW, 1/4-20 X 3-1/2", YZ, GR5              |
| 10     | 1   | F-1158    | NUT, CENTERLOCK, 1/4-20, YZ, GR5                |
| 11     | 2   | F-1448    | LOCKNUT, 10-32 NYLOC YELLOW PLTD                |
| 12     | 1   | F-1462    | JAM NUT, 1/2-20, RH, YZ                         |
| 13     | 1   | F-1521    | WASHER, 1/2" CUSTOM, YZ                         |
| 14     | 5   | F-2063    | NUT, 5/16-18, NYLOC, FLANGED, YZ                |
| 15     | 2   | F-2100    | HHMS, 10-32 X 7/8", CZ                          |
| 16     | 1   | F-2103    | SHCS, BUTTON HD, 1/4-20 X 1-1/4", CZ            |
| 17     | 3   | F-2120    | FHCS, 5/16-18 X 3/4", YZ, GR5                   |
| 18     | 1   | F-2122    | FHCS, 5/16-18 X 1-1/4", YZ, GR5, FULL THD       |
| 19     | 1   | F-2132    | NUT, 1/4-20 NYLOC, FLANGED, YZ                  |
| 20     | 1   | H-1991    | JOY STICK BOOT                                  |
| 21     | 1   | H-2964    | HANDLE, JOYSTICK                                |
| 22     | 1   | H-2990    | WEATHER-RESISTANT NEOPRENE FOAM (ADHESIVE) 1/2" |
| 23     | 1   | H-3025    | LINKAGE: UPPER: 1/4-28 X 5                      |
| 24     | 1   | H-3198    | LINKAGE ASSEMBLY, JS                            |
| 25     | 1   | H-1989    | BUSHING BALL JOINT                              |
| 26     | 1   | H-2947    | BOOT, LOW PROFILE                               |



| ITEM # | QTY | PART #    | DESCRIPTION                               |
|--------|-----|-----------|---|
| 1      | 1   | 625-096P  | YOKE, SWIVEL, JOYSTICK                    |
| 2      | 1   | 625-099P  | TUBE, GUIDE, CONTROL ROD                  |
| 3      | 1   | 625-103P  | TAB, CAM DETENT                           |
| 4      | 1   | 625-106P  | PIN, PIVOT, JS                            |
| 5      | 1   | 625-124P  | TUBE-SPACER, DETENT CAM                   |
| 6      | 1   | 625-125P  | SPACER, CAM DETENT                        |
| 7      | 1   | 724-114P  | JOYSTICK NEUTRAL PLATE                    |
| 8      | 1   | 625-128A  | PIVOT ASSEMBLY                            |
| 9      | 1   | 724-113P  | JOYSTICK HOUSING                          |
| 10     | 1   | 625-169A  | YOKE, SWIVEL ASSEMBLY                     |
| 11     | 2   | F-2155    | BOLT, CARRIAGE, 1/4-20 X 5/8", YZ, GR5    |
| 12     | 1   | 709-169A  | ROD ASSEMBLY, SHORT, 1/2"                 |
| 13     | 2   | D-3784    | BUSHING, DU 1/2 DIA X 3/8 WIDE            |
| 14     | 2   | D-3931    | THRUST BEARING                            |
| 15     | 1   | E-6692    | PLUNGER SWITCH, RAIL MOUNT                |
| 16     | 3   | F-2132    | NUT, FLANGED, 1/4-20 w/NYLOC, YZ          |
| 17     | 1   | F-1005-05 | NUT, 1/2-13, CENTERLOCK, YZ, GR5          |
| 18     | 1   | F-1293    | HHCS, 1/2-13 X 2", YZ, GR5                |
| 19     | 1   | F-1462    | JAM NUT, 1/2-20, RH, YZ                   |
| 20     | 1   | F-1503    | PIN, SPIROL 3/16 DIA X 1 X .010 THK       |
| 21     | 1   | F-1521    | WASHER, 1/2" CUSTOM, YZ                   |
| 22     | 1   | F-2103    | SHCS, BUTTON HD, 1/4-20 X 1", CZ          |
| 23     | 1   | F-2135    | SCREW, PANHEAD, PHILLIPS #12-24 X 1.75 CZ |
| 24     | 1   | F-2136    | WASHER, FLAT, #12 PLAIN, CZ               |
| 25     | 1   | F-2137    | NUT, #12-24, NYLOCK                       |
| 26     | 1   | H-2704    | SPRING, BELLEVILLE, .50 X 1 X .073        |
| 27     | 2   | H-2705    | RING, RETAINING, .75 EXT.                 |
| 28     | 1   | H-2710    | SPRING, DETENT, JOYSTICK                  |
| 29     | 1   | C-6202    | GREASE, CHEVRON RYKOTAC GREASE EP         |

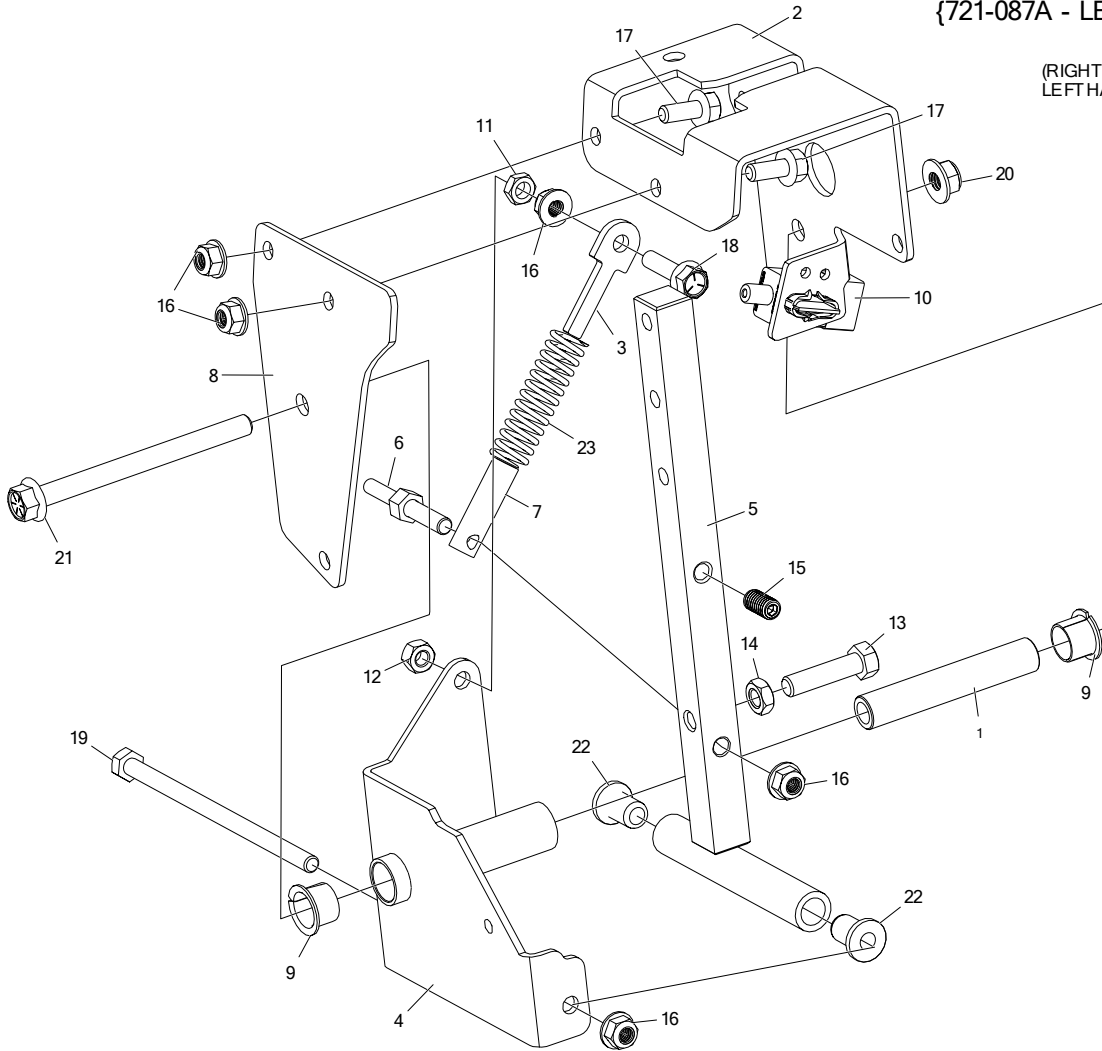


| ITEM # | QTY | PART #    | DESCRIPTION   |
|--------|-----|-----------|---|
| 1      | 1   | 625-100P  | TUBE, PIVOT, JOYSTICK                                 |
| 2      | 3   | 625-116P  | BUSHING, .375 ROD END, SHORT                          |
| 3      | 1   | F-1019-01 | WASHER, LOCK, 1/4, YZ                                 |
| 4      | 1   | F-1539    | HHCS, 1/4-20 X 1-1/4", YZ, GR5                        |
| 5      | 1   | F-1703    | CAPSCREW, HEXHD 1/4-20 X 2-1/2"                       |
| 6      | 6   | F-2132    | NUT, 1/4-20 NYLOC, FLANGED, YZ                        |
| 7      | 4   | F-2162    | FHCS, 1/4-20 X 3/4", YZ, GR5                          |
| 8      | 2   | F-2202    | NUT, 1/4-20, NYLOC, YZ                                |
| 9      | 1   | H-2954    | WLDT, JS PIVOT SHAFT                                  |
| 10     | 1   | H-3021    | LINKAGE, CONTROL LOWER                                |
| 11     | 2   | H-2921    | FLANGE BRG., 0.500                                    |
| 12     | 1   | F-2151    | NUT, 3/8-16 NYLOC, FLANGED, YZ                        |
| 13     | 1   | F-2267    | BOLT, CARRIAGE, 3/8-16 X 4-1/2", YZ, GR5, PARTIAL THD |
| 14     | 1   | H-2900    | SPRING, DECK COUNTER BALANCE                          |



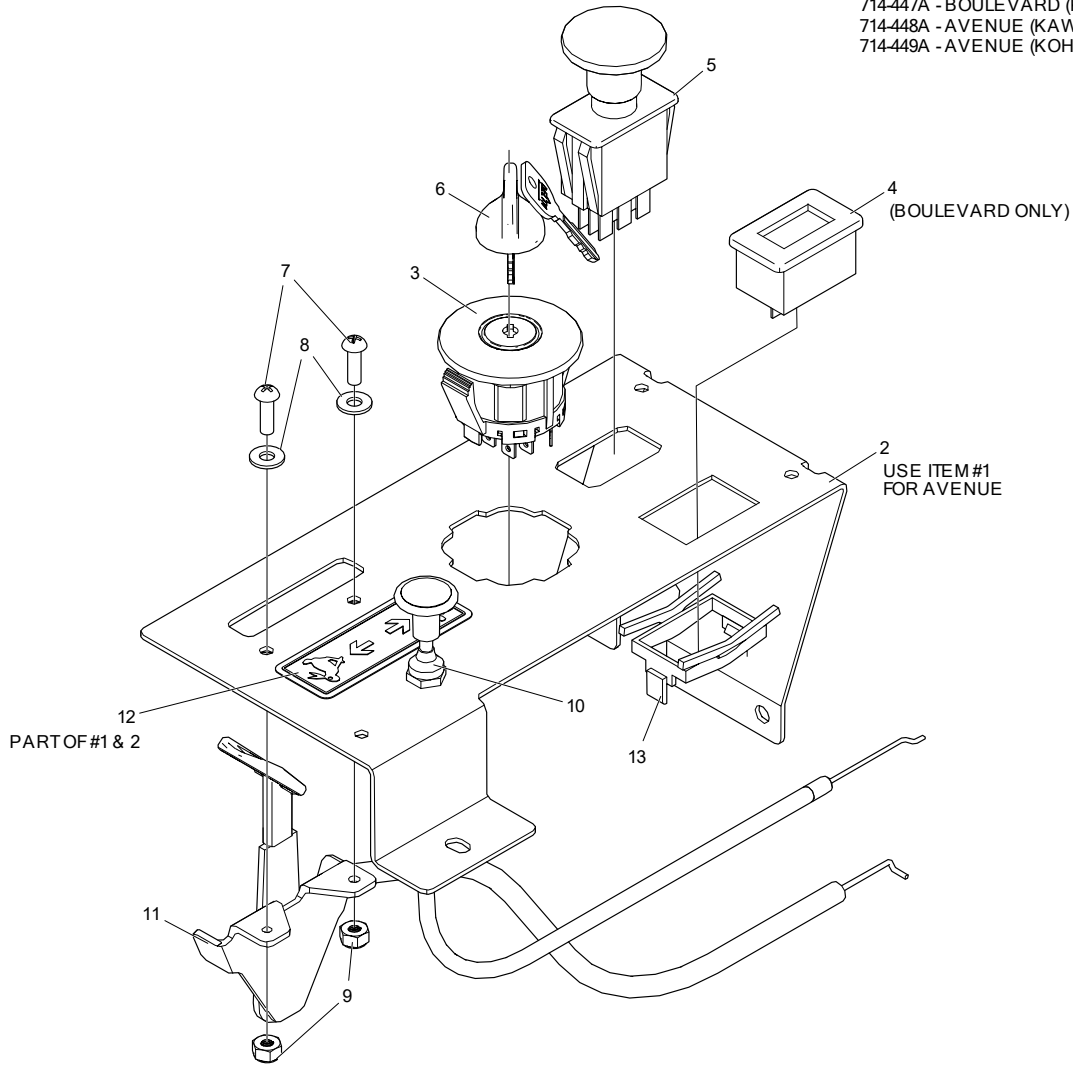
| ITEM # | QTY | PART #    | DESCRIPTION  |
|--------|-----|-----------|--|
| 1      | 4   | 625-116P  | BUSHING, .375 ROD END, SHORT                         |
| 2      | 2   | 659-375W  | WLDT, DUAL LEVER                                     |
| 3      | 2   | 720-053P  | PLT, TWIN LEVER SUPPORT                              |
| 4      | 1   | 721-086A  | ASSY, TS CONTROL, R                                  |
| 5      | 1   | 721-087A  | ASSY, TS CONTROL, L                                  |
| 6      | 4   | F-1019-01 | WASHER, LOCK, 1/4, YZ                                |
| 7      | 4   | F-1716    | CAPSCREW HX 1/4-20 X 1-1/2 GR5, YZ                   |
| 8      | 12  | F-2063    | NUT, 5/16-18, NYLOC, FLANGED, YZ                     |
| 9      | 6   | F-2119    | FHCS, 1/4-20 X 3/4", YZ, GR5, LOCK PATCH             |
| 10     | 6   | F-2120    | FHCS, 5/16-18 X 3/4", YZ, GR5                        |
| 11     | 1   | F-2122    | FHCS, 5/16-18 X 1-1/4", YZ, GR5, FULL THD            |
| 12     | 4   | F-2129    | FHCS, 5/16-18 X 1-1/2", YZ, GR5                      |
| 13     | 4   | F-2132    | NUT, 1/4-20 NYLOC, FLANGED, YZ                       |
| 14     | 2   | F-2229    | NUT, RIVET, 1/4-20, OPEN END, .027-.165 MAT'L THK    |
| 15     | 2   | H-2739    | GRIP, 15", CLOSED END                                |
| 16     | 2   | H-3037    | LINKAGE, OUTER, JS                                   |
| 17     | 2   | H-2990    | WEATHER-RESISTANT NEOPRENE FOAM (ADHESIVE) 1/2"      |
| 18     | 1   | 721-121P  | BRACKET, DAMPER OFFSET, LH                           |
| 19     | 1   | 721-122P  | BRACKET, DAMPER OFFSET, RH                           |
| 20     | 2   | F-2141    | FHCS, 3/8-16 X 1", YZ, GR5                           |
| 21     | 3   | F-2151    | NUT, 3/8-16 NYLOC, FLANGED                           |
| 22     | 1   | F-2267    | BOLT, CARRIAGE, 3/8-16 X 4-1/2, YZ, GRD, PARTIAL THD |
| 23     | 1   | H-2900    | SPRING, DECK COUNTER BALANCE                         |

(RIGHT HAND SHOWN,  
LEFT HAND OPPOSITE)



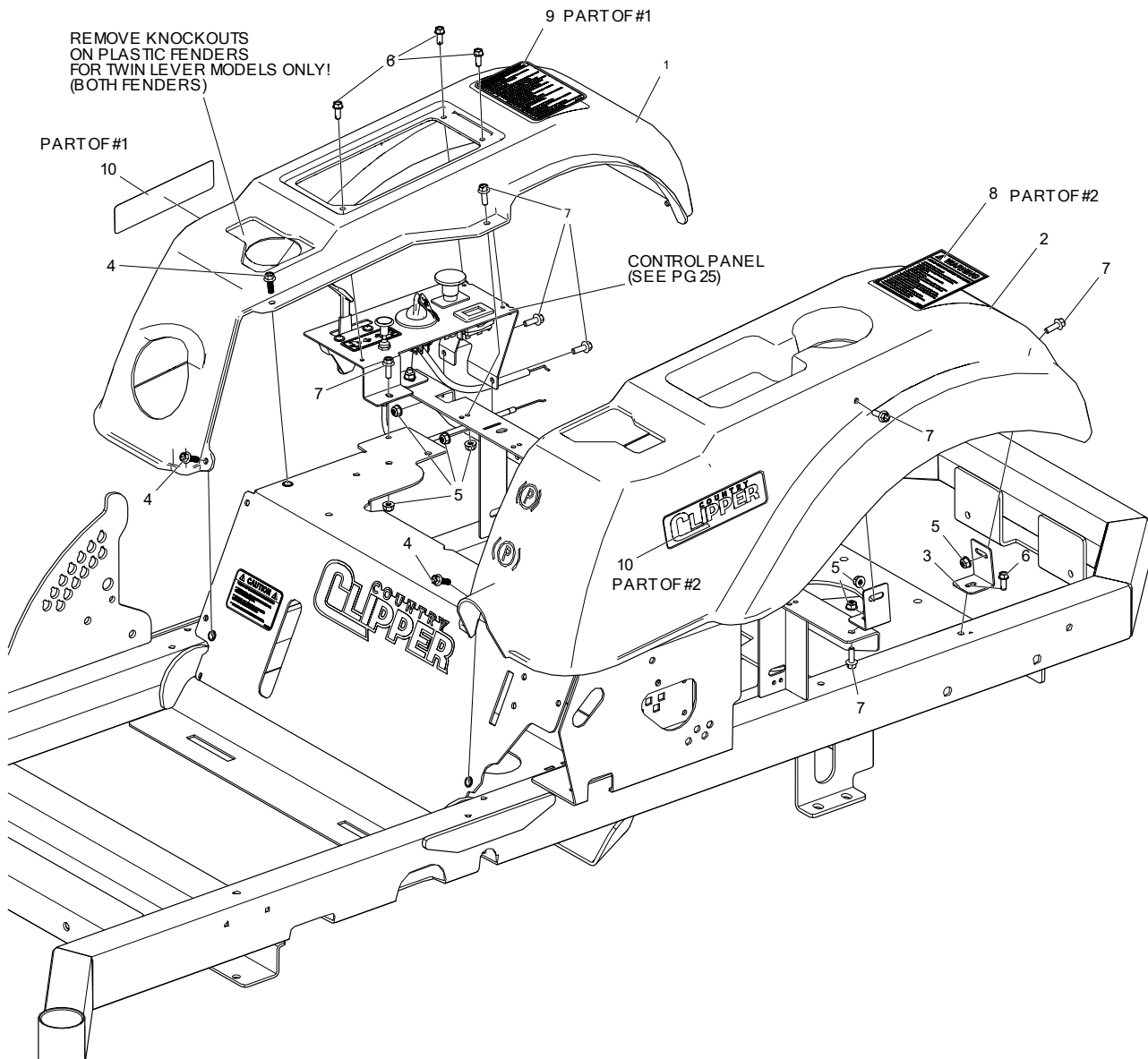
| ITEM # | QTY | PART #    | DESCRIPTION                               |
|--------|-----|-----------|---|
| 1      | 1   | 714-074P  | PIN, PIVOT, TWIN LEVER                    |
| 2      | 1   | 714-266P  | HOUSING, TWIN LEVER, R                    |
| -      | 1   | 714-269P  | HOUSING, TWIN LEVER, L                    |
| 3      | 1   | 721-006P  | SPRING GUIDE, TS                          |
| 4      | 1   | 721-088W  | WLDT, TWIN LEVER PIVOT, R                 |
| -      | 1   | 721-089W  | PIVOT WELDMENT OVER-CENTER, L             |
| 5      | 1   | 721-090W  | WLDT, HANDLE BASE                         |
| 6      | 1   | 721-093P  | PIN, SPRING OVER-CENTER                   |
| 7      | 1   | 721-094P  | SPRING GUIDE, TS OVER-CENTER              |
| 8      | 1   | 721-103P  | PLT, TS HOUSING, R                        |
| -      | 1   | 721-104P  | PLT, TS HOUSING, L                        |
| 9      | 2   | D-3730    | BUSHING, DU 5/8 DIA X 1/2 LG              |
| 10     | 1   | E-6692    | PLUNGER SWITCH, RAIL MOUNT                |
| 11     | 1   | F-1011-02 | NUT, HEX 5/16-18                          |
| 12     | 1   | F-1125    | NUT, CENTERLOCK, 5/16-18, YZ, GR5         |
| 13     | 1   | F-1306    | HHCS, 3/8-16 X 1-1/2", FULL THRD, CZ, GR5 |
| 14     | 1   | F-1486    | NUT, JAM, 3/8-16, YZ                      |
| 15     | 1   | F-1903    | SETSCREW, 3/8-16 X 3/4" W/ NYLON          |
| 16     | 5   | F-2063    | NUT, 5/16-18, NYLOC, FLANGED, YZ          |
| 17     | 2   | F-2120    | FHCS, 5/16-18 X 3/4", YZ, GR5             |
| 18     | 1   | F-2122    | FHCS, 5/16-18 X 1-1/4", YZ, GR5, FULL THD |
| 19     | 1   | F-2145    | HHCS, 5/16-18 X 6", YZ, GR8               |
| 20     | 1   | F-2151    | NUT, 3/8-16 NYLOC, FLANGED, YZ            |
| 21     | 1   | F-2160    | FHCS, 3/8-16 X 4-1/2", YZ, GR5            |
| 22     | 2   | H-3009    | BUSHING, 0.313, NYLON, FLANGED            |
| 23     | 1   | H-3079    | SPRING, TS OVER CENTER                    |

714447A - BOULEVARD (KOHLER)  
714448A - AVENUE (KAWASAKI)  
714449A - AVENUE (KOHLER)



| ITEM # | QTY | PART #    | DESCRIPTION                                       |
|--------|-----|-----------|---|
| 1      | 1   | 714-456A  | CONTROL PANEL W/ DECAL, AVENUE                    |
| 2      | 1   | 714-457A  | CONTROL PANEL W/ DECAL, BOULEVARD                 |
| 3      | 1   | E-6717    | IGNITION SWITCH, 4 POSITION                       |
| 4      | 1   | E-5878    | HOUR METER  |
| 5      | 1   | E-6403    | PTO SWITCH  |
| 6      | 1   | E-6718    | KEY ASSEMBLY                                      |
| 7      | 2   | F-1022-26 | MACHINE SCREW, RND, 10-32 X 5/8, SLOTTED, CZ      |
| 8      | 2   | F-1071    | WASHER, FLAT #10, ZINC PLATED #10 SAE FLAT WASHER |
| 9      | 2   | F-1448    | LOCKNUT, 10-32 NYLOC YELLOW PLTD                  |
| 10     | 1   | H-2287    | CHOKE CABLE, 43-1/2"                              |
| 11     | 1   | H-2610    | THROTTLE CABLE, 38", KAWASAKI                     |
| -      | 1   | H-2611    | THROTTLE CABLE, 57", KOHLER                       |
| 12     | 1   | P-13481   | DECAL, THROTTLE CONTROL                           |
| 13     | 1   | E-6369    | RETAINER CLIP                                     |



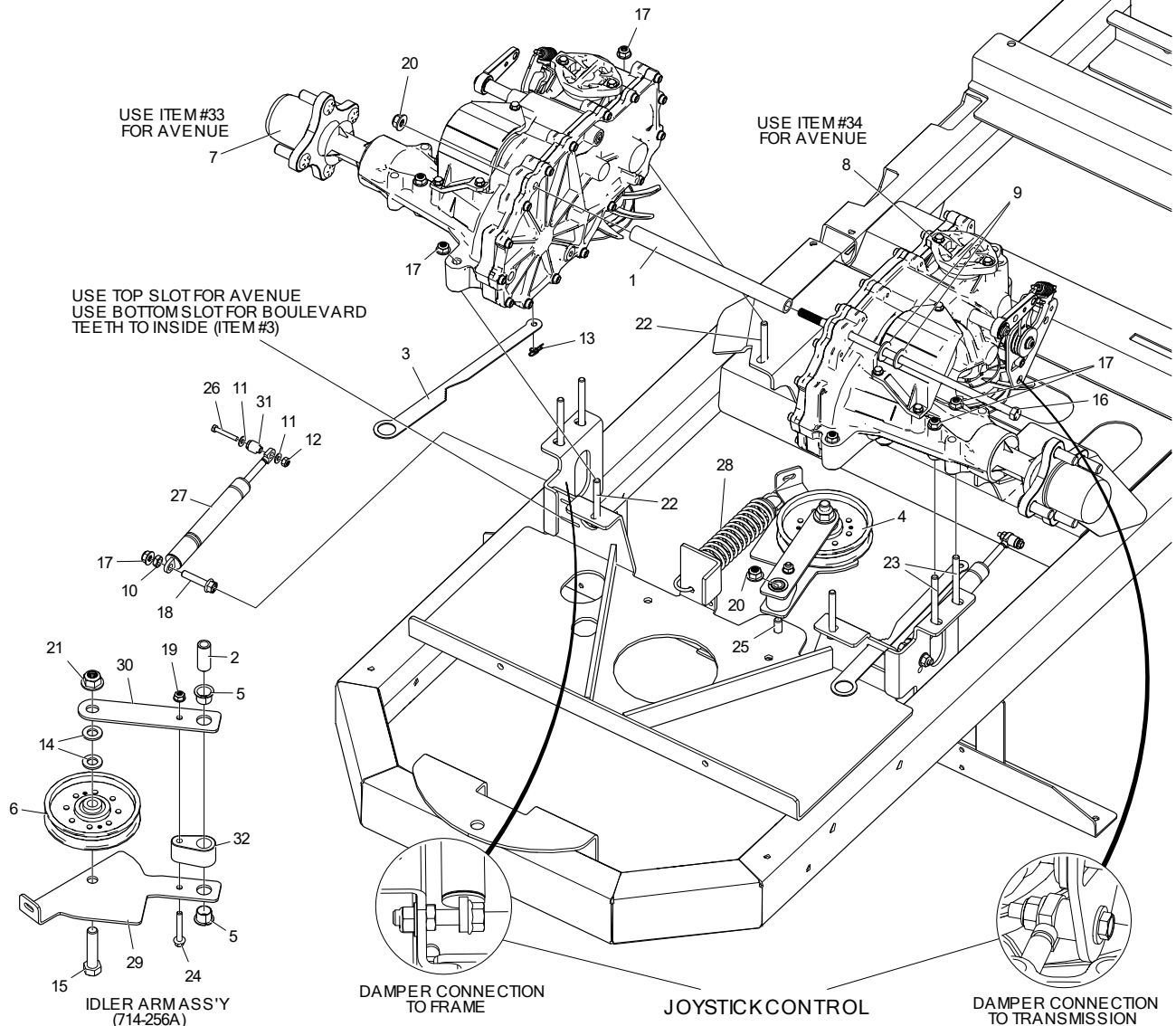


| ITEM # | QTY | PART #   | DESCRIPTION                              |
|--------|-----|----------|--|
| 1      | 1   | 714-037A | COVER, WHEEL FENDER, RH                  |
| 2      | 1   | 714-038A | COVER, WHEEL FENDER, LH                  |
| 3      | 4   | 714-323P | TAB, FENDER MOUNT                        |
| 4      | 4   | F-2119   | FHCS, 1/4-20 X 3/4", YZ, GR5, LOCK PATCH |
| 5      | 12  | F-2132   | NUT, 1/4-20 NYLOC, FLANGED, YZ           |
| 6      | 5   | F-2134   | HFCS, 1/4-20 X 0.625", YZ, SELF TAPPING  |
| 7      | 12  | F-2162   | FHCS, 1/4-20 X 3/4", YZ, GR5             |
| 8      | 1   | P-11370  | DECAL, WARNING                           |
| 9      | 1   | P-13188  | DECAL, INSTRUCTIONS                      |
| 10     | 2   | P-13366  | DECAL, C/C LOGO, SM, VINYL               |

AVENUE / BOULEVARD  
(A115/B215)

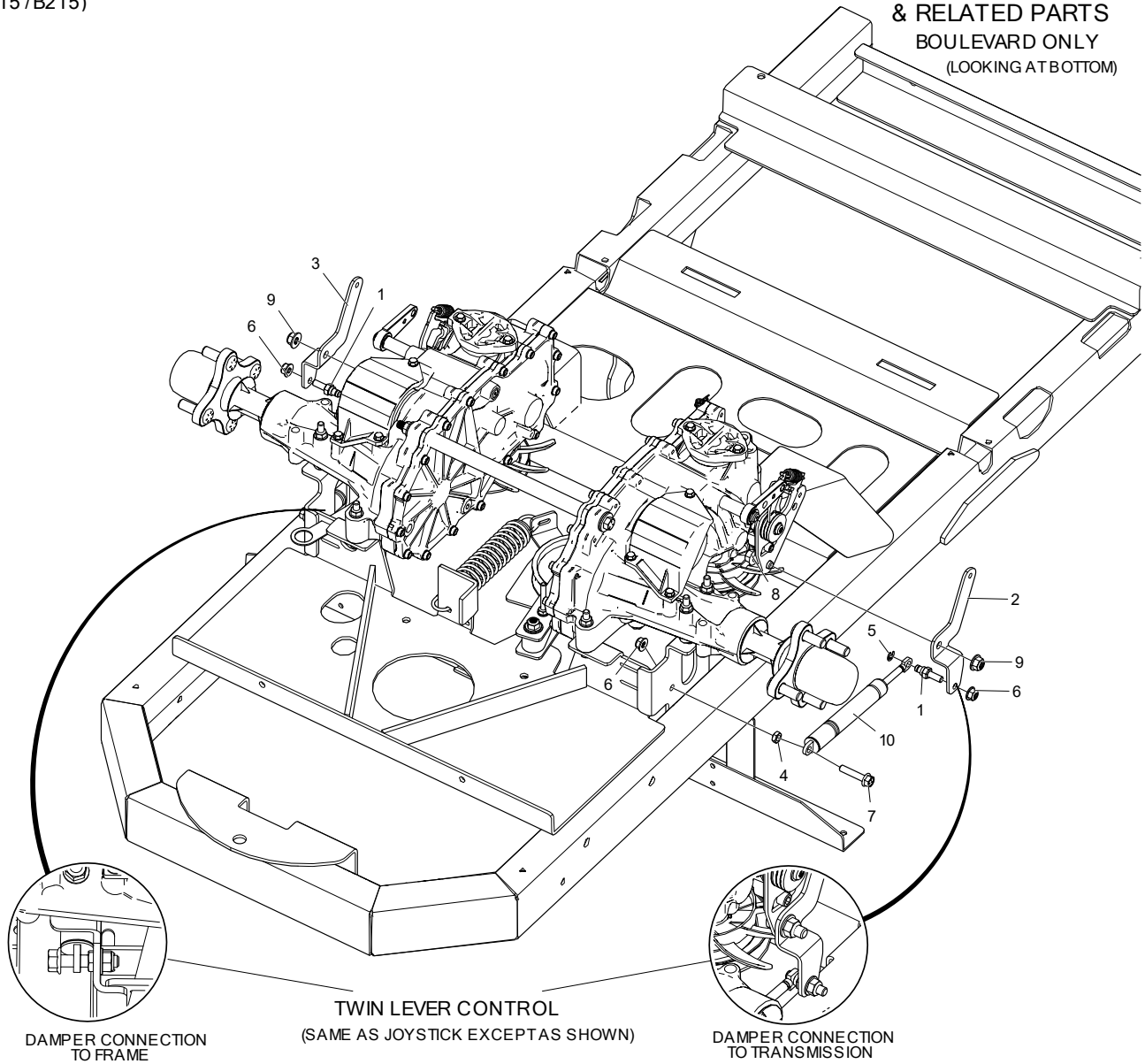
TRANSMISSION ASSEMBLY  
& RELATED PARTS

(LOOKING AT BOTTOM)

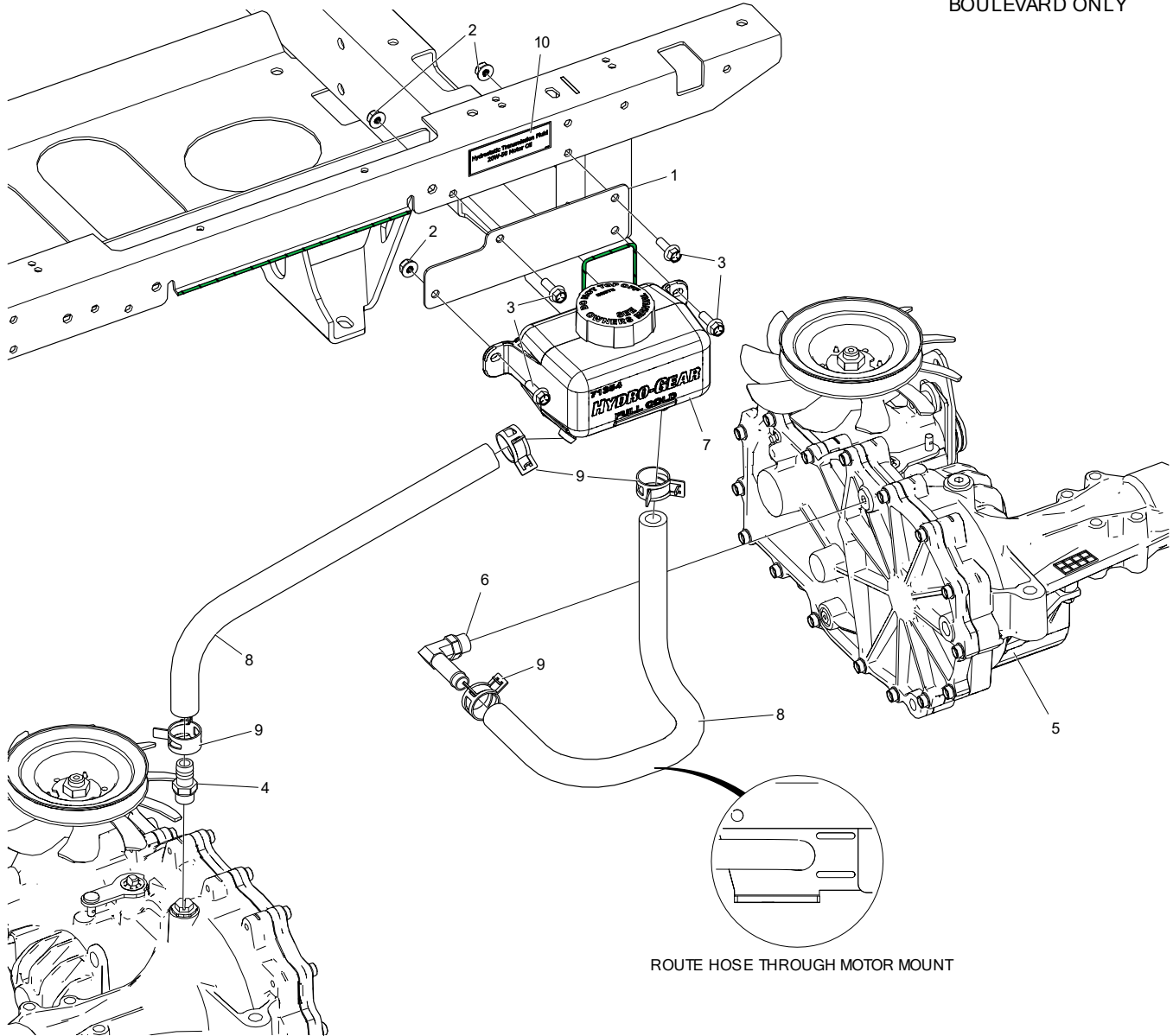


| ITEM # | QTY | PART #    | DESCRIPTION                                  |
|--------|-----|-----------|--|
| 1      | 1   | 659-173P  | HYDRO BRACE ZT2800 (BOULEVARD)               |
| -      | 1   | 659-120P  | HYDRO BRACE EZT (AVENUE)                     |
| 2      | 1   | 714-058P  | PIN, IDLER PIVOT                             |
| 3      | 2   | 714-454P  | TAB, DUMP VALVE, COMMON                      |
| 4      | 1   | 714-256A  | ASS'Y, IDLER ARM                             |
| 5      | 2   | D-3730    | BUSHING, DU 5/8 DIA X 1/2 LG                 |
| 6      | 1   | D-3924    | PULLEY, FLAT IDLER, 4.25 OD, NTN, DBL INSERT |
| 7      | 1   | D-3954-01 | TRANSAXLE, ZT-2800 W/RTN, RH (BOULEVARD)     |
| 8      | 1   | D-3954-02 | TRANSAXLE, ZT-2800 W/RTN, LH (BOULEVARD)     |
| 9      | 2   | F-1009-03 | WASHER, FLAT, 3/8, YZ                        |
| 10     | 2   | F-1011-02 | NUT, HEX 5/16-18                             |
| 11     | 4   | F-1071    | WASHER, FLAT #10, ZINC PLATED                |
| 12     | 2   | F-1448    | LOCKNUT, 10-32 NYLOC YELLOW PLTD             |
| 13     | 2   | F-1492    | RUE RING, 5/16                               |
| 14     | 2   | F-1521    | WASHER, 1/2" CUSTOM, YZ                      |
| 15     | 1   | F-1664    | HHCS, 1/2-13 X 2-1/4", YZ, GR5               |
| 16     | 1   | F-2007    | HHCS 3/8-16 X 12.50 GR5 Z&Y (BOULEVARD)      |
| -      | 1   | F-2048    | HHCS 3/8-16 X 12.00 GR5 Z&Y (AVENUE)         |

| ITEM # | QTY | PART #    | DESCRIPTION                         |
|--------|-----|-----------|-------------------------------------|
| 17     | 10  | F-2063    | NUT, 5/16-18, NYLOC, FLANGED, YZ    |
| 18     | 2   | F-2129    | FHCS, 5/16-18 X 1-1/2", YZ, GR5     |
| 19     | 1   | F-2132    | NUT, 1/4-20 NYLOC, FLANGED, YZ      |
| 20     | 2   | F-2151    | NUT, 3/8-16 NYLOC, FLANGED, YZ      |
| 21     | 1   | F-2152    | NUT, 1/2-13 NYLOC, FLANGED, YZ      |
| 22     | 4   | F-2177    | FHCS, 5/16-18 X 2-1/2, YZ, GR5      |
| 23     | 4   | F-2178    | FHCS, 5/16-18 X 3", YZ, GR5         |
| 24     | 1   | F-2216    | FHCS, 1/4-20 X 1-3/4, YZ, GR5       |
| 25     | 1   | F-2218    | FHCS, 3/8-16 X 2-1/4", YZ, GR5      |
| 26     | 2   | F-2221    | HHMS, 10-32 X 1-1/4"                |
| 27     | 2   | H-2896    | DAMPER, NC300, JS                   |
| 28     | 1   | H-2907    | SPRING, 5.43 X 1-1/2", TAPERED ENDS |
| 29     | 1   | H-2942    | PLT, IDLER ARM, TOP                 |
| 30     | 1   | H-2943    | PLT, IDLER ARM, BOTTOM              |
| 31     | 2   | H-2961    | BUSHING, DAMPLER MOUNT              |
| 32     | 1   | H-2962    | SPACER, IDLER                       |
| 33     | 1   | D-3783-01 | TRANSAXLE, EZT, RH (AVENUE)         |
| 34     | 1   | D-3783-02 | TRANSAXLE, EZT, LH (AVENUE)         |



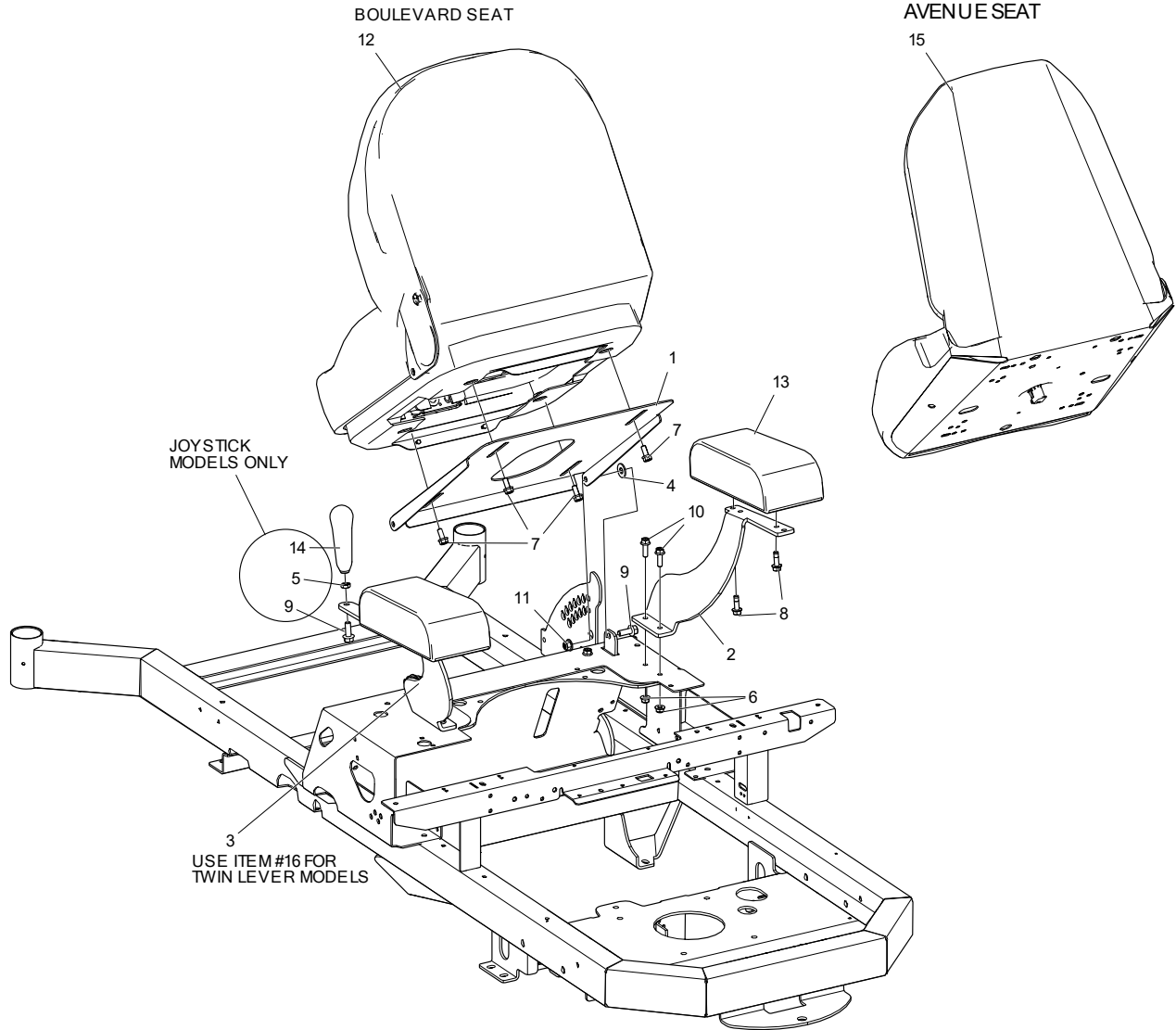
| ITEM # | QTY | PART #    | DESCRIPTION                      |
|--------|-----|-----------|----------------------------------|
| 1      | 2   | 638-028P  | DAMPER BOLT: 5/16-18 X 3/4       |
| 2      | 1   | 721-121P  | BRACKET, DAMPER OFFSET, LH       |
| 3      | 1   | 721-122P  | BRACKET, DAMPER OFFSET, RH       |
| 4      | 2   | F-1011-02 | NUT, HEX 5/16-18                 |
| 5      | 2   | F-1610    | RETAINING RING                   |
| 6      | 4   | F-2063    | NUT, 5/16-18, NYLOC, FLANGED, YZ |
| 7      | 2   | F-2129    | FHCS, 5/16-18 X 1-1/2", YZ, GR5  |
| 8      | 2   | F-2141    | FHCS, 3/8-16 X 1", YZ, GR5       |
| 9      | 2   | F-2151    | NUT, 3/8-16 NYLOC, FLANGED, YZ   |
| 10     | 2   | H-2896    | DAMPER, NC300, JS                |



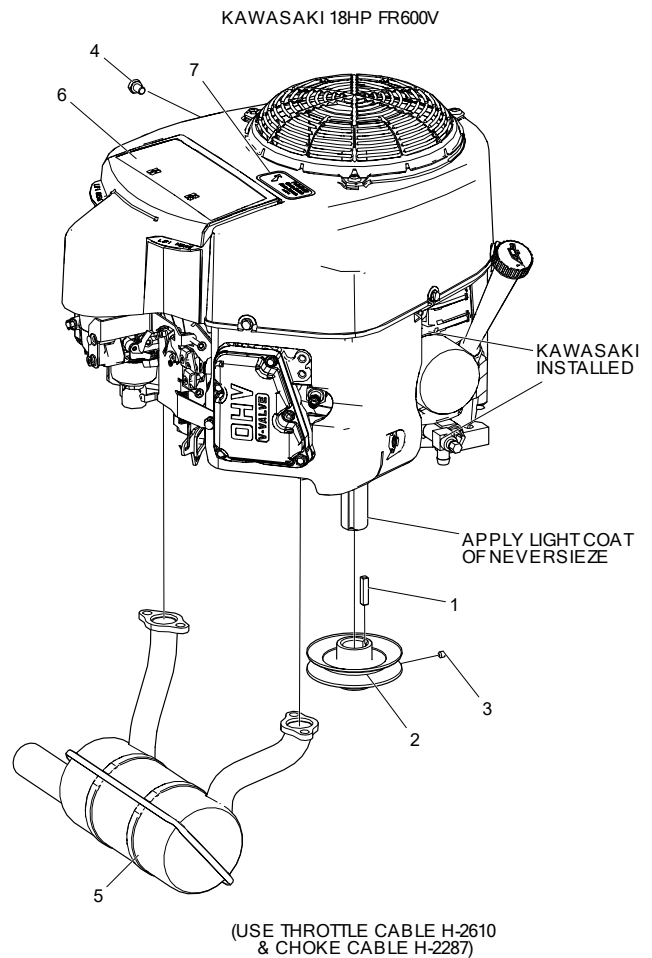
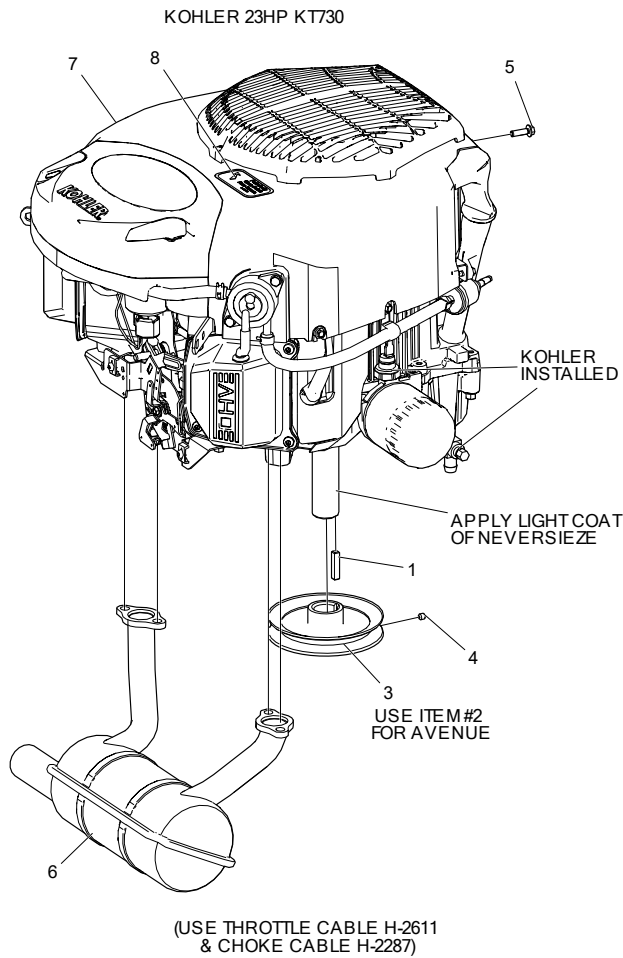
| ITEM # | QTY | PART #   | DESCRIPTION                    |
|--------|-----|----------|--------------------------------|
| 1      | 1   | 721-029P | PLT, TANK MOUNT                |
| 2      | 4   | F-2132   | NUT, 1/4-20 NYLOC, FLANGED, YZ |
| 3      | 4   | F-2162   | FHCS, 1/4-20 X 3/4", YZ, GR5   |
| 4      | 1   | H-2517   | VENT TUBE ADAPTER              |
| 5      | 2   | H-2567   | TRANSAXLE OIL FILTER           |
| 6      | 1   | H-2762   | VENT TUBE ADAPTER              |
| 7      | 1   | H-3033   | HYDRO TANK ASSEMBLY            |
| 8      | 2   | H-3084   | HOSE, 1/2" DIA X 16-1/2"       |
| 9      | 4   | H-3089   | HOSE CLAMP, 0.78 HOSE O.D.     |
| -      | 4   | H-3155   | HOSE CLAMP, 0.88 HOSE O.D.     |
| 10     | 1   | P-11052  | DECAL, "TRANSMISSION OIL..."   |

AVENUE / BOULEVARD  
(A115/B215)

SEAT BASE  
& RELATED PARTS

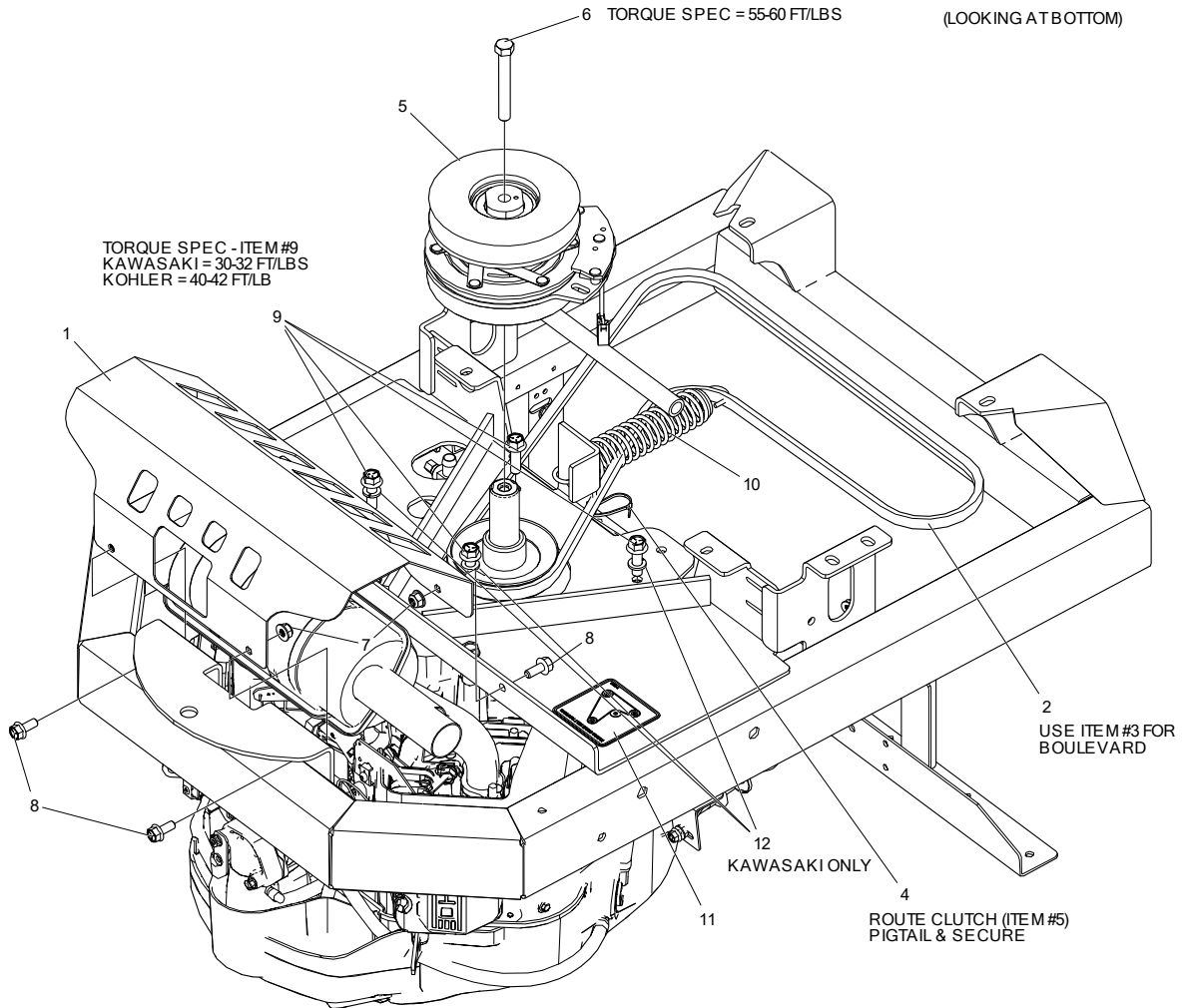


| ITEM # | QTY | PART #    | DESCRIPTION                             |
|--------|-----|-----------|---|
| 1      | 1   | 714-026P  | PAN, SEAT MOUNT                         |
| 2      | 1   | 720-017P  | MOUNT PLATE, ARM REST, RH               |
| 3      | 1   | 720-071P  | PLT, ARM REST, LH, JS                   |
| 4      | 2   | F-1009-03 | WASHER, FLAT, 3/8, YZ                   |
| 5      | 1   | F-1486    | NUT, JAM, 3/8-16, YZ                    |
| 6      | 4   | F-2063    | NUT, 5/16-18, NYLOC, FLANGED, YZ        |
| 7      | 4   | F-2021    | FHCS, 5/16-18 X 3/4", YZ, GR5           |
| 8      | 4   | F-2121    | FHCS, 5/16-18 X 1", LOCK PATCH, YZ, GR5 |
| 9      | 3   | F-2141    | FHCS, 3/8-16 X 1", YZ, GR5              |
| 10     | 4   | F-2148    | FHCS, 5/16-18 X 1", YZ, GR5             |
| 11     | 2   | F-2151    | NUT, 3/8-16 NYLOC, FLANGED, YZ          |
| 12     | 1   | H-3207    | BLVD SEAT ASSY, BLK & GR5 W/ SWITCH     |
| -      | 1   | H-3213    | SEAT BACK COVER FOR H-3207              |
| 13     | 2   | H-2799    | PAD, ARM REST                           |
| 14     | 1   | H-2764    | HANDLE, JOYSTICK                        |
| 15     | 1   | H-3206    | AVE SEAT ASSY, BLK & GR5, W/SWITCH      |
| -      | 1   | H-3212    | SEAT BACK COVER FOR H-3206              |
| 16     | 1   | 720-018P  | MOUNT PLT, ARM REST, LH, TS             |



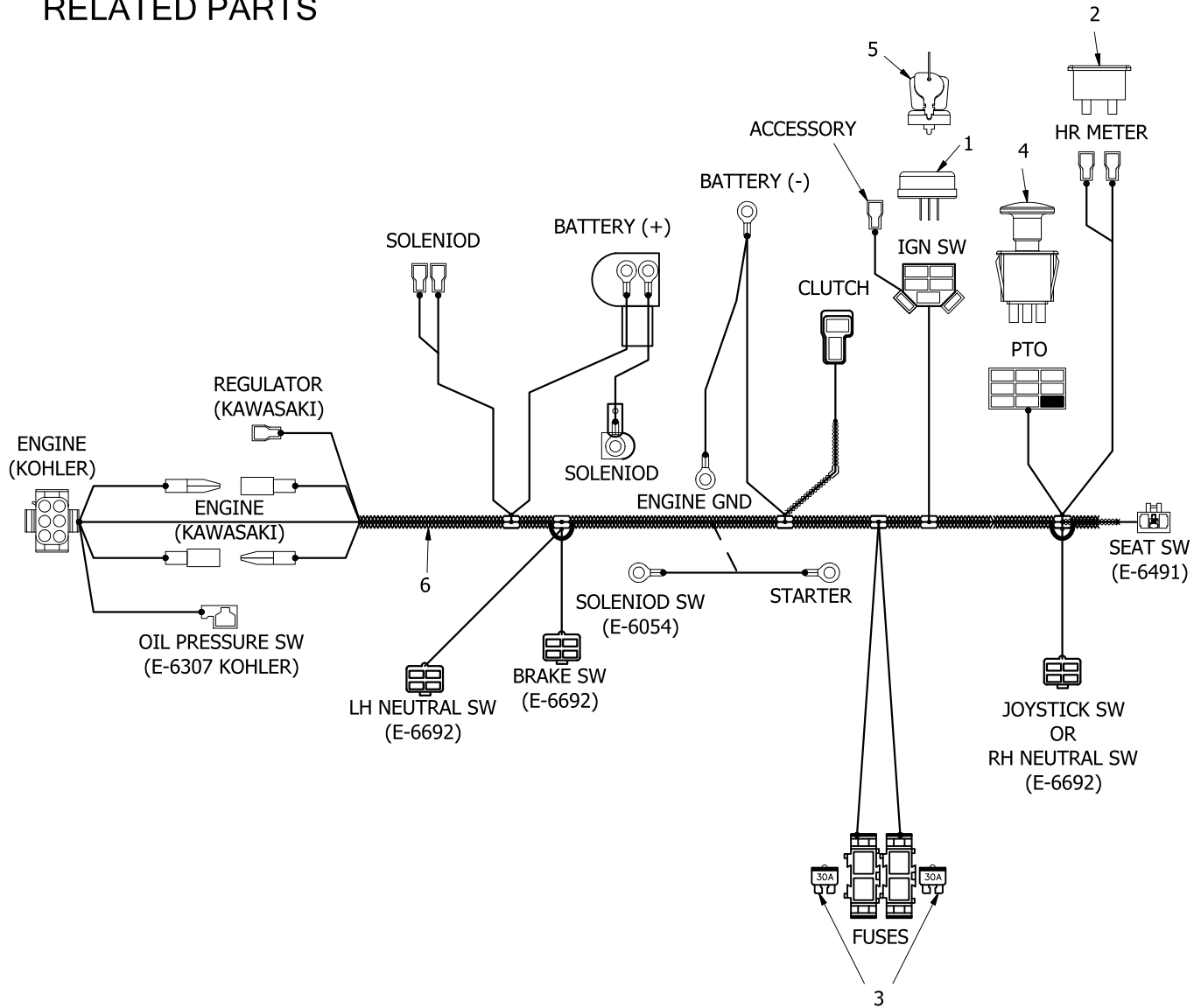
| ITEM # | QTY | PART #     | DESCRIPTION                               |
|--------|-----|------------|---|
| 1      | 1   | 621-113P   | SQUARE KEY 1/4 X 1/4 X 1-1/4              |
| 2      | 1   | D-3929     | PULLEY MOTOR, O.D. 3.8"                   |
| 3      | 1   | D-3935     | PULLEY MOTOR, O.D. 4.731 BORE             |
| 4      | 1   | F-1228     | SET SCREW, SOCKET, 1/4-20 X 1/4", W/NYLOC |
| 5      | 1   | F-2049     | M6-1 X 20 H.F. FORM SCREW                 |
| 6      | 1   | H-2888     | MUFFLER, KOHLER, COMPACT                  |
| 7      | 1   | M-5406     | ENGINE, KOHLER, 23HP KT730                |
| 8      | 1   | P-10077-11 | DECAL, "PERIODIACALLY CLEAN"              |

| ITEM # | QTY | PART #     | DESCRIPTION                               |
|--------|-----|------------|---|
| 1      | 1   | 621-113P   | SQUARE KEY 1/4 X 1/4 X 1-1/4              |
| 2      | 1   | D-3929     | PULLEY MOTOR, O.D. 3.8"                   |
| 3      | 1   | F-1228     | SET SCREW, SOCKET, 1/4-20 X 1/4", W/NYLOC |
| 4      | 1   | F-2243     | HHCS, M8-1.25 X 12, YZ, GR8               |
| 5      | 1   | H-2906     | MUFFLER. COMPACT, KAWASAKI, FR600         |
| 6      | 1   | M-5402     | ENGINE, KAWASAKI, 18HP, FR600V            |
| 7      | 1   | P-10077-11 | DECAL, "PERIODIACALLY CLEAN"              |



| ITEM # | QTY | PART #    | DESCRIPTION   |
|--------|-----|-----------|---|
| 1      | 1   | 714-398P  | GUARD, MUFFLER                                      |
| 2      | 1   | D-3885    | V-BELT AP64 RAW EDGE LAMINATED                      |
| 3      | 1   | D-3891    | V-BELT AP65 RAW EDGE LAMINATED                      |
| 4      | 1   | E-5842    | WIRE TIE  |
| 5      | 1   | E-6613    | MS CLUTCH, 1" BORE, 125FT-LB, 4.4 A DIA, EXT PULLEY |
| 6      | 1   | F-1766    | HHCS, 7/16-20 X 3-1/4", YZ, GR5                     |
| 7      | 4   | F-2063    | NUT, 5/16-18, NYLOC, FLANGED, YZ                    |
| 8      | 4   | F-2120    | FHCS, 5/16-18 X 3/4", YZ, GR5                       |
| 9      | 4   | F-2125    | FHCS, 3/8-16 X 1-1/4", YZ, GR5, KAWASAKI            |
| -      | 4   | F-2238    | HFCS, 3/8-16 X 1-1/4", CZ, THD FORMING, KOHLER      |
| 10     | 1   | H-2907    | SPRING, 5.43 X 1-1/2", TAPERED ENDS                 |
| 11     | 1   | P-12918   | DECAL, HYDRO BELT ROUTING                           |
| 12     | 3   | F-1019-03 | LOCKWASHER, HVY, 3/8, YZ, KAWASKI ONLY              |

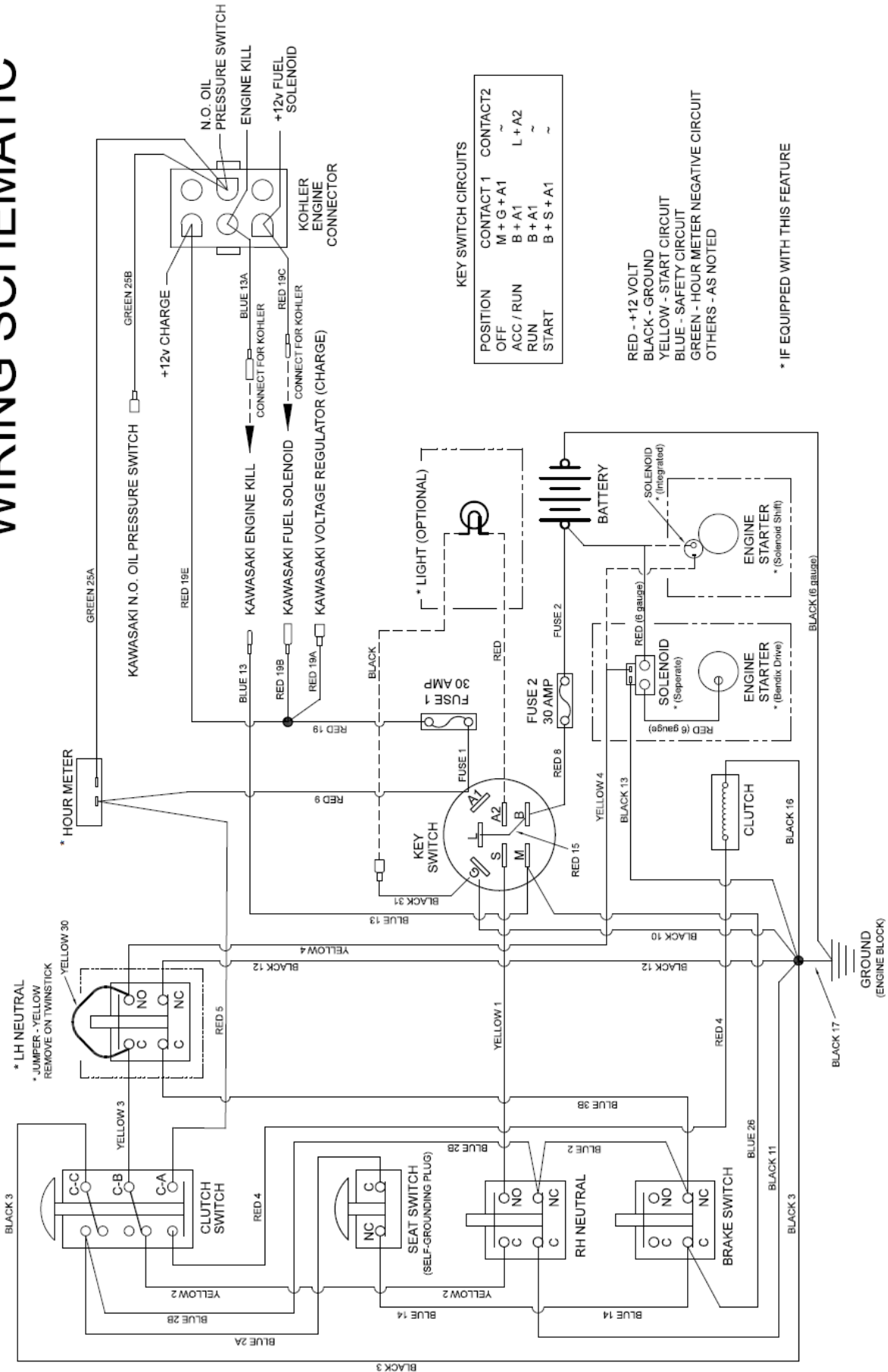
# WIRE HARNESS & RELATED PARTS



| ITEM # | PART # | DESCRIPTION                 |
|--------|--------|-----------------------------|
| 1      | E-6717 | IGNITION SWITCH, 4 POSITION |
| 2      | E-5878 | HOUR METER                  |
| 3      | E-6207 | FUSE, #ATC-30               |
| 4      | E-6403 | PTO SWITCH                  |
| 5      | E-6718 | KEY ASSEMBLY                |
| 6      | E-6778 | WIRE HARNESS, COMMON        |



# WIRING SCHEMATIC



# COUNTRY CLIPPER LIMITED WARRANTY

Model: Avenue

Effective: Units Retailed after October 1, 2020

## Consumer Limited Warranty

Country Clipper, a Division of Shivers Mfg. Inc., will Warrant on the terms and conditions herein, that we will repair, adjust, or replace parts found by examination by the factory or by an authorized Country Clipper dealer to be defective in material, workmanship, or both, and operated and maintained as shown by Country Clipper's instructions and manuals for a period of 3 years of Residential use\* from the date of original purchase. The three year period will include parts and labor.

\*Residential use is defined as use of the equipment on property the same as your primary residence or farmstead. If the equipment is used on more than one property, this is considered Commercial use, and the Commercial Warranty will apply. If usage exceeds industry norms for Residential mowing, validation of usage maybe required to retain the Consumer Limited Warranty.

The Warranty applies to Country Clipper Avenue and subsequent revisions to these models sold in the United States and Canada until said warranty is revised. This Warranty applies to the original purchaser only and is non-transferable.

## Commercial Limited Warranty

When used for Commercial, business, production agriculture, horticultural or non-profit institutional use, the Limited Warranty term is 30 days from date of purchase. This Warranty applies to the original purchaser only and is non-transferable. Mowers used for Rental purposes are not Warranted.

## Warranty Exceptions

- Wear items are Warranted for 90 days from the original purchase date for defects in materials or workmanship (Belts, Tires, Deck Rollers, Blades, and Rubberized Chute).
- Batteries have a 6 month Warranty by the battery manufacturer.
- Related accessories are Warranted for one 1 year from their original date of purchase.
- The engine Warranty is covered by the engine manufacture and is not Warranted by Country Clipper. The engine manufacturer's Warranty statement is included in the literature packet.
- The transmission Warranty is covered by the transmission manufacture and is not Warranted by Country Clipper. The transmission manufacturer's Warranty statement is included in the literature packet.

## **Items and Conditions Not Covered by this Warranty**

Items and conditions not covered include:

- Pickup and delivery charges to and from authorized Country Clipper dealer.
- Parts that are not genuine Country Clipper services parts are not covered by this Warranty and may void the Warranty.
- Repair or replacement caused by accident, misuse, neglectful or improper maintenance, improper repairs performed or parts installed, use of After Market parts, unauthorized alteration or modification, and/or normal wear and deterioration for turf equipment.
- Routine maintenance services, adjustments, cleaning and / or expendables (i.e. mower blades, lubricants, fuel, fuel filters, spark plugs, oil, oil filters, and air filters)
- Damaged incurred due to a natural disaster or exposure to the elements.
- Repairs required due to use of incompatible parts, accessories, or supplies used on the equipment other than recommended in the operator's manual or other instructional guides provided by Country Clipper.

## **Replacement Parts**

Replacement parts for Residential use mowers that have exceeded the Warranty period are Warranted for 90 days from the date of replacement against defects in material and workmanship. A proof of purchase, of the replacement part, is required at the time the claim is submitted. Labor on replacement parts is not Warranted. Replacement parts on mowers used Commercially or for Rental operation are not Warranted.

There are no other express Warranties for this product in effect during this time period.

An authorized Country Clipper dealer must perform all Warranty work using Country Clipper approved parts.

## **Obtaining Warranty Service**

**A completed product registration must be submitted at the time of purchase. If the dealer does not register the product, the customer is responsible to complete the product registration card in the literature package and return it to Country Clipper.** The servicing dealer will require a proof of purchase if the product has not been registered.

## Customer Responsibility

- The owner is responsible for delivery of the mower to the Country Clipper approved servicing dealer, within the Warranty period, and its return after Warranty work is completed.
- The owner is responsible for maintaining and adjusting the equipment as outlined in the owner's manual.
- Prompt notification to an Authorized Country Clipper Dealer or Country Clipper representative of the need for warranty repair.
- Having the warranty work performed by an authorized Country Clipper Dealer.
- Contacting the desired Country Clipper servicing dealer to arrange the service through their shop.

Contact the desired Country Clipper servicing dealer to arrange the service through their shop. Use our dealer locator at [www.countryclipper.com](http://www.countryclipper.com) or U.S. and Canada customers can call 800-344-8237 to locate their nearest dealer.

## General Conditions

Country Clipper may change the design of its products from time to time. Nothing contained in this Warranty shall be construed as obligating Country Clipper to incorporate said design changes into previously manufactured products, nor shall said changes be construed as an admission that previous designs were defective.

All implied Warranties, including those of merchantability and fitness for a particular purpose are, unless specifically required by the law of the jurisdiction, hereby excluded. Where implied Warranties are required by law, including those of merchantability and fitness for a particular purpose, they are, where allowed by the law of the State, limited to the above stated term of this Warranty. Liability for consequential damages, under any and all Warranties, both express and implied are hereby excluded unless specifically required by the statutory law of the jurisdiction. No claim of breach of Warranty shall be cause for cancellation or rescission of the contract of sale of Country Clipper equipment.

This Warranty gives you specific legal rights, and you may also have other rights, which vary from region to region.

To obtain the nearest servicing dealer:

Dealer locator: [www.countryclipper.com](http://www.countryclipper.com)  
Email: [service@countryclipper.com](mailto:service@countryclipper.com)  
Phone: 800-344-8237 or 641-872-2544

Mail: Country Clipper a Division of  
Shivvers Manufacturing Inc.  
613 West English St.  
Corydon, IA 5006

# COUNTRY CLIPPER LIMITED WARRANTY

Model: Boulevard

Effective: Units Retailed after October 1, 2020

## Consumer Limited Warranty

Country Clipper, a Division of Shivers Mfg. Inc., will Warrant on the terms and conditions herein, that we will repair, adjust, or replace parts found by examination by the factory or by an authorized Country Clipper dealer to be defective in material, workmanship, or both, and operated and maintained as shown by Country Clipper's instructions and manuals for a period of 3 years or 300 hours (whichever occurs first) of Residential use\* from the date of original purchase. The first three years or 300 hours will include parts and labor.

\*Residential use is defined as use of the equipment on property the same as your primary residence or farmstead. If the equipment is used on more than one property, this is considered Commercial use, and the Commercial Warranty will apply. If usage exceeds industry norms for Residential mowing, validation of usage maybe required to retain the Consumer Limited Warranty.

The Warranty applies to Country Clipper Avenue and subsequent revisions to these models sold in the United States and Canada until said warranty is revised. This Warranty applies to the original purchaser only and is non-transferable.

## Warranty Exceptions

- Wear items are Warranted for 90 days from the original purchase date for defects in materials or workmanship (Belts, Tires, Deck Rollers, Blades, and Rubberized Chute).
- Batteries have a 6 month Warranty by the battery manufacturer.
- Related accessories are Warranted for one 1 year from their original date of purchase.
- The engine Warranty is covered by the engine manufacture and is not Warranted by Country Clipper. The engine manufacturer's Warranty statement is included in the literature packet.
- The transmission Warranty is covered by the transmission manufacture and is not Warranted by Country Clipper. The transmission manufacturer's Warranty statement is included in the literature packet.

## **Commercial Limited Warranty**

When used for Commercial, business, production agriculture, horticultural or non-profit institutional use, the Limited Warranty term is 30 days from date of purchase. This Warranty applies to the original purchaser only and is non-transferable. Mowers used for Rental purposes are not Warranted.

## **Items and Conditions Not Covered by this Warranty**

Items and conditions not covered include:

- Pickup and delivery charges to and from authorized Country Clipper dealer.
- Parts that are not genuine Country Clipper services parts are not covered by this Warranty and may void the Warranty.
- Repair or replacement caused by accident, misuse, neglectful or improper maintenance, improper repairs performed or parts installed, use of After Market parts, unauthorized alteration or modification, and/or normal wear and deterioration for turf equipment.
- Routine maintenance services, adjustments, cleaning and / or expendables (i.e. mower blades, lubricants, fuel, fuel filters, spark plugs, oil, oil filters, and air filters)
- Damaged incurred due to a natural disaster or exposure to the elements.
- Repairs required due to use of incompatible parts, accessories, or supplies used on the equipment other than recommended in the operator's manual or other instructional guides provided by Country Clipper.

## **Replacement Parts**

Replacement parts for Residential use mowers that have exceeded the Warranty period are Warranted for 90 days from the date of replacement against defects in material and workmanship. A proof of purchase, of the replacement part, is required at the time the claim is submitted. Labor on replacement parts is not Warranted. Replacement parts on mowers used Commercially or for Rental operation are not Warranted.

There are no other express Warranties for this product in effect during this time period.

An authorized Country Clipper dealer must perform all Warranty work using Country Clipper approved parts.

## **Obtaining Warranty Service**

**A completed product registration must be submitted at the time of purchase. If the dealer does not register the product, the customer is responsible to complete the product registration card in the literature package and return it to Country Clipper.** The servicing dealer will require a proof of purchase if the product has not been registered.

## Customer Responsibility

- The owner is responsible for delivery of the mower to the Country Clipper approved servicing dealer, within the Warranty period, and its return after Warranty work is completed.
- The owner is responsible for maintaining and adjusting the equipment as outlined in the owner's manual.
- Prompt notification to an Authorized Country Clipper Dealer or Country Clipper representative of the need for warranty repair.
- Having the warranty work performed by an authorized Country Clipper Dealer.
- Contacting the desired Country Clipper servicing dealer to arrange the service through their shop.

Contact the desired Country Clipper servicing dealer to arrange the service through their shop. Use our dealer locator at [www.countryclipper.com](http://www.countryclipper.com) or U.S. and Canada customers can call 800-344-8237 to locate their nearest dealer.

## General Conditions

Country Clipper may change the design of its products from time to time. Nothing contained in this Warranty shall be construed as obligating Country Clipper to incorporate said design changes into previously manufactured products, nor shall said changes be construed as an admission that previous designs were defective.

All implied Warranties, including those of merchantability and fitness for a particular purpose are, unless specifically required by the law of the jurisdiction, hereby excluded. Where implied Warranties are required by law, including those of merchantability and fitness for a particular purpose, they are, where allowed by the law of the State, limited to the above stated term of this Warranty. Liability for consequential damages, under any and all Warranties, both express and implied are hereby excluded unless specifically required by the statutory law of the jurisdiction. No claim of breach of Warranty shall be cause for cancellation or rescission of the contract of sale of Country Clipper equipment.

This Warranty gives you specific legal rights, and you may also have other rights, which vary from region to region.

To obtain the nearest servicing dealer:

Dealer locator: [www.countryclipper.com](http://www.countryclipper.com)  
Email: [service@countryclipper.com](mailto:service@countryclipper.com)  
Phone: 800-344-8237 or 641-872-2544

Mail: Country Clipper a Division of  
Shivvers Manufacturing Inc.  
613 West English St.  
Corydon, IA 5006

# KAWASAKI LIMITED WARRANTY

## FOUR-CYCLE ENGINE

Kawasaki Motors Corp., U.S.A., P.O. Box 888285, Grand Rapids, MI 49588-8285 (hereinafter "Kawasaki") warrants to the initial purchaser of each new Kawasaki four-cycle engine purchased in any of the following regions: North, Central or South America, Caribbean, Australia, New Zealand, and all territories of the United States of America (collectively, the "Purchase Area") that it will repair or replace, free of charge, any engine parts found to be defective, under normal use and proper maintenance, for a period of thirty-six (36) months, subject to the following conditions, exclusions, obligations and limitations. If you have questions about warranty coverage in your region, please contact the local Kawasaki dealer.

### 1. COVERAGE.

- a. Any factory-installed engine part found to be defective by Kawasaki within the thirty-six (36) month warranty term shall be repaired or replaced without charge for parts or labor at any authorized Kawasaki engine dealer located within the purchase area.

### 2. OWNER'S OBLIGATIONS.

The following obligations must be fulfilled by owner to maintain the validity of the Kawasaki limited warranty:

- a. Owner must deliver the four-cycle engine to an authorized Kawasaki engine dealer or equally qualified service facility for inspection, maintenance services and adjustments according to the Periodic Maintenance Chart contained in the owner's manual. The inspection, maintenance services and adjustments are to be performed at owner's expense.
- b. Owner must present proof of initial retail purchase date to an authorized Kawasaki engine dealer at the time warranty repairs are performed on the four-cycle engine.

### 3. LIMITATIONS.

This limited warranty shall not apply to or include any of the following:

- a. Repair or replacement required as a result of (i) accident, (ii) misuse or neglect, (iii) lack of reasonable and proper maintenance, (iv) repairs improperly performed or replacements improperly installed, (v) use of replacement parts or accessories not conforming to Kawasaki specifications which adversely affect performance and/or durability, (vi) alterations or modifications not recommended or approved in writing by Kawasaki, and/or (vii) wear and deterioration occasioned by the use of the four-cycle engine.
- b. Routine maintenance services, adjustments, cleaning and/or expendables such as spark plugs, lubricants, oil filters, air filters, and fuel filters.

### 4. LIMITED LIABILITY.

- a. The liability of Kawasaki under the thirty-six (36) month warranty is limited solely to the remedying of defects in factory-installed engine parts by an authorized Kawasaki engine dealer at its place of business during customary business hours. This warranty does not cover inconvenience or loss of use of the four-cycle engine or transportation of the four-cycle engine to and from the Kawasaki dealer. **KAWASAKI SHALL NOT BE LIABLE FOR ANY OTHER EXPENSE, LOSS OR DAMAGE, WHETHER DIRECT, INCIDENTAL, CONSEQUENTIAL OR EXEMPLARY ARISING IN CONNECTION WITH THE SALE OR USE OF OR INABILITY TO USE THE KAWASAKI FOUR-CYCLE ENGINE FOR ANY PURPOSE. SOME STATES DO NOT ALLOW THE EXCLUSION OR LIMITATIONS OF ANY INCIDENTAL OR CONSEQUENTIAL DAMAGES, SO THE ABOVE LIMITATION OR EXCLUSION MAY NOT APPLY TO YOU.**
- b. **NO EXPRESS WARRANTY IS GIVEN BY KAWASAKI WITH RESPECT TO THE KAWASAKI FOUR-CYCLE ENGINE EXCEPT AS SPECIFICALLY SET FORTH HEREIN. ANY WARRANTY IMPLIED BY LAW, INCLUDING ANY WARRANTY OF MERCHANTABILITY OR FITNESS FOR A PARTICULAR PURPOSE, IS EXPRESSLY LIMITED TO THE THIRTY-SIX (36) MONTH WARRANTY TERM SET FORTH HEREIN. THE FOREGOING STATEMENTS OF WARRANTY ARE EXCLUSIVE AND IN LIEU OF ALL OTHER REMEDIES. SOME STATES DO NOT ALLOW LIMITATIONS ON HOW LONG AN IMPLIED WARRANTY LASTS, SO THE ABOVE LIMITATIONS MAY NOT APPLY TO YOU.**
- c. No distributor, dealer or other four-cycle engine reseller is authorized to modify this Kawasaki Limited Four-Cycle Warranty.

### 5. LEGAL RIGHTS.

**THIS WARRANTY GIVES YOU SPECIFIC LEGAL RIGHTS, AND YOU MAY ALSO HAVE OTHER RIGHTS WHICH VARY FROM STATE TO STATE .**



## EMISSION CONTROL SYSTEM WARRANTY STATEMENT

This warranty statement outlines the emission warranty coverage provided by Kawasaki Motors Corp. U.S.A. ("Kawasaki") for small off-road engines sold in the U.S. and its territories, as well as the 13 provinces and territories of Canada. This warranty statement is divided into two parts. Part I warrants that a new Kawasaki small off-road engine complies with U.S. EPA and Environment Canada emissions regulations. Part II warrants that a new Kawasaki small off-road engine certified for sale in California also complies with the State of California's emissions regulations.

### Part I: United States and Canada

#### *Your Warranty Rights and Obligations*

Your new small off-road engine must be designed, built and equipped to meet the U.S. EPA emission standards for small off-road engines with maximum engine power at or below 19 kilowatts or an engine displacement less than 1 liter. Kawasaki must warrant the emission control system on your small off-road engine for the period of time listed below, provided there has been no abuse, neglect, or improper maintenance of your small off-road engine. Where a warrantable condition exists, Kawasaki will repair your small off-road engine at no cost to you including diagnosis, parts, and labor.

Your emission control system may include such parts as the carburetor or fuel injection system, the ignition system, and catalytic converter. Also included may be hoses, connectors, and other emission-related assemblies. For a list of the emission control system parts covered under this warranty, please contact your nearest Kawasaki Dealer or contact Kawasaki directly at 877-364-6404.

#### *Warranty Coverage*

Kawasaki warrants to the original retail purchaser, and each subsequent purchaser, that the small off-road engine, including all parts of its emission control system, is:

1. designed, built, and equipped to conform to the U.S. EPA and Environment Canada emission standards at the time of sale to the original retail purchaser; and
2. free from defects in materials and workmanship that may keep it from meeting the requirements under these emission standards.

This warranty begins on the date the small off-road engine is delivered to the original retail purchaser and extends for a period of three years. This warranty covers all components whose failure would increase the emissions of any regulated pollutant. This warranty does not cover components whose failure would not increase the engine's emissions of any regulated pollutants.

#### *Owner's Warranty Responsibility*

As the small off-road engine owner, you are responsible for the performance of the required maintenance listed in your owner's manual. Kawasaki recommends that you retain all receipts covering maintenance on your small off-road engine, but Kawasaki cannot deny warranty coverage solely for the lack of receipts or for your failure to ensure the performance of all scheduled maintenance.

As the small off-road engine owner, you should, however, be aware that Kawasaki may deny you warranty coverage if your small off-road engine or a part has failed due to abuse, neglect, improper maintenance, or unapproved modifications.

You are responsible for presenting your small off-road engine to a Kawasaki dealer as soon as a problem exists. The emission related warranty repairs should be completed in a reasonable amount of time, not to exceed 30 days.

If you have any questions regarding your emission warranty rights and responsibilities, you should contact:

Kawasaki Motors Corp. U.S.A.  
Consumer Services Department  
5080 36th Street S.E.  
Grand Rapids, MI 49512  
Telephone: (877) 364-6404  
Email: kawpower-website@kmc-usa.com

#### *To Obtain Warranty Service*

You must, at your own expense, take your Kawasaki small off-road engine or the product on which it is installed, along with proof of original purchase date, to any Kawasaki Dealer who is authorized by Kawasaki to sell and service that Kawasaki product during the Dealer's normal business hours. Claims for repair or adjustments found to be caused solely by defects in material or workmanship will not be denied because the engine was not properly maintained and used.

If however, you reside more than 100 miles from an authorized service center in the contiguous states, excluding certain high-altitude areas, Kawasaki will either pay for shipping costs to and from an authorized service center, provide for a service technician to come to the owner to make the warranty repair, or pay for the repair to be made at a local non-authorized service center. If you are unable to obtain emission warranty service or are dissatisfied with the warranty service you received, contact the owner of the dealership involved. However, if you require further assistance, contact Kawasaki directly via the contact information above.

#### *Exclusions*

Failures other than those resulting from defects in material or workmanship are not covered by this warranty. This warranty does not extend to emission control systems and parts that are affected or damaged by owner abuse, misuse, neglect, improper maintenance or repairs, misfueling, improper storage, collision, the use of unsuitable attachments, or the unauthorized alteration of any part.

This warranty does not cover replacement of parts or other services and adjustments necessary for required maintenance at and after the first scheduled replacement point.

#### *Disclaimer of Consequential Damages and Limitation of Implied Warranties*

Kawasaki Motors Corp. disclaims responsibility for incidental or consequential damages such as loss of time or the use of the power equipment, or any commercial loss due to the failure of the equipment; and any implied warranties are limited to the duration of this written warranty. This warranty is applicable only where the California, U.S. EPA, or Environment Canada emission control system warranty regulation is in effect.

### Part II: CALIFORNIA EMISSIONS CONTROL WARRANTY STATEMENT

#### *Your Warranty Rights and Obligations*

The California Air Resources Board and Kawasaki are pleased to explain the emission control system warranty on your model year 2021/2022 small off-road engine. In California, new small off-road engines must be designed, built, and equipped to meet the State's stringent anti-smog standards. Kawasaki must warrant the emission control system on your small off-road engine for the periods of time listed below provided there has been no abuse, neglect or improper maintenance of your small off-road engine.

Your emission control system may include such parts as the carburetor or fuel injection system, the ignition system, and catalytic converter. Also included may be hoses, belts, connectors, and other emission-related assemblies.

Where a warrantable condition exists, Kawasaki will repair your small off-road engine at no cost to you including diagnosis, parts and labor.

#### *Manufacturer's Warranty Coverage*

The 1995 and later small off-road engines are warranted for three years. If any emission-related part on your small off-road engine is defective, the part will be repaired or replaced by Kawasaki.

#### *Owner's Warranty Responsibility*

As the small off-road engine owner, you are responsible for the performance of the required maintenance listed in your owner's manual. Kawasaki recommends that you retain all receipts covering maintenance on your small off-road engine, but Kawasaki cannot deny warranty coverage solely for the lack of receipts or for your failure to ensure the performance of all scheduled maintenance.

As the small off-road engine owner, you should however be aware that Kawasaki may deny you warranty coverage if your small off-road engine or a part has failed due to abuse, neglect, improper maintenance, or unapproved modifications.

You are responsible for presenting your small off-road engine to a Kawasaki distribution center as soon as a problem exists. The warranty repairs should be completed in a reasonable amount of time, not to exceed 30 days.

If you have any questions regarding your warranty rights and responsibilities, you should contact:

Kawasaki Motors Corp. U.S.A.  
Consumer Services Department  
5080 36th Street S.E.  
Grand Rapids, MI 49512  
Telephone: (877) 364-6404  
Email: kawpower-website@kmc-usa.com

### **General Emissions Warranty Coverage**

Kawasaki warrants to the ultimate purchaser and each subsequent purchaser that the small off-road engine is:

1. designed, built, and equipped so as to conform with all applicable regulations adopted by the Air Resources Board pursuant to its authority in Chapters 1 and 2, Part 5, Division 26 of the Health and Safety Code; and
2. free from defects in materials and workmanship that cause the failure of a warranted part to be identical in all material respects to the part as described in Kawasaki's application for certification.

The warranty period begins on the date the engine or equipment is delivered to an ultimate purchaser or first placed into service. The equipment or engine owner will not be charged for diagnostic labor that is directly associated with diagnosis of a defective, emission-related warranted part, provided that such diagnostic work is performed at a Kawasaki warranty station.

Engine parts outlined in the Periodic Maintenance Chart found in the Owners Manual provided with this engine, are warranted as follows:

1. Any warranted part that is not scheduled for replacement as required maintenance in the Periodic Maintenance Chart, is warranted for the warranty period stated above. If any such part fails during the warranty period, the part will be repaired or replaced by Kawasaki at no charge to the owner provided the repair or replacement is performed at a warranty station. Any such part repaired or replaced under the warranty will be warranted for the remaining warranty period.
2. Any warranted part that is scheduled only for regular inspection in the Periodic Maintenance Chart is warranted for the warranty period stated above. Any such part repaired or replaced under warranty will be warranted for the remaining warranty period.
3. Any warranted part that is scheduled for replacement as required maintenance in the Periodic Maintenance Chart is warranted for the period of time before the first scheduled replacement date for that part. If the part fails before the first scheduled replacement, the part will be repaired or replaced by Kawasaki at no charge to the owner provided the repair or replacement is performed at a warranty station. Any such part repaired or replaced under warranty will be warranted for the remainder of the period prior to the first scheduled replacement point for the part.

Kawasaki is liable for damages to other engine components proximately caused by a failure under warranty of any warranted part.

Throughout the engine's warranty period defined above, Kawasaki will maintain a supply of warranted parts sufficient to meet the expected demand for such parts. Any replacement part may be used in the performance of any warranty maintenance or repairs and will be provided without charge to the owner. Such use will not reduce the warranty obligations of Kawasaki.

Add-on or modified parts, as defined in Section 1900(b)(1) and (b)(14), Title 13, that are not exempted by the Air Resources Board may not be used. The use of any non-exempted add-on or modified parts by the ultimate purchaser will be grounds for disallowing a warranty claim made in accordance with this article. Kawasaki will not be liable under this article to warrant failures of warranted parts caused by the use of a non-exempted add-on or modified part.

#### **To Obtain Warranty Service**

Notwithstanding the provisions herein, warranty services or repairs will be provided at all Kawasaki distribution centers that are franchised to service the subject engines.

You must, at your own expense, take your Kawasaki small off-road engine or the product on which it is installed, along with proof of original purchase date, to any Kawasaki Dealer who is authorized by Kawasaki to sell and service that Kawasaki product during the Dealer's normal business hours. Claims for repair or adjustments found to be caused solely by defects in material or workmanship will not be denied because the engine was not properly maintained and used.

If you are unable to obtain emission warranty service or are dissatisfied with the warranty service you received, contact the owner of the dealership involved. However, if you require further assistance, contact the Kawasaki office in your region:

Kawasaki Motors Corp., U.S.A.  
Consumer Services Department  
5080 36th Street S.E.  
Grand Rapids, MI 49512  
Telephone: (877) 364-6404  
Email: kawpower-website@kmc-usa.com

#### **Exclusions**

1. The repair or replacement of any warranted part otherwise eligible for warranty coverage as stated above may be excluded from such warranty coverage if Kawasaki demonstrates that the engine has been abused, neglected, or improperly maintained, and that such abuse, neglect, or improper maintenance was the direct cause of the need for repair or replacement of the part.
2. Kawasaki warrants your engine only for the warranty period specified above.
3. Except as provided above, any adjustment of a component that has a factory installed, and properly operating, adjustment limiting device (such as an idle limiter cap or plug) is eligible for warranty coverage as stated above.

#### **Disclaimer of Consequential Damage and Limitation of Implied Warranties:**

Kawasaki Motors Corp. disclaims responsibility for incidental or consequential damages such as loss of time or the use of the power equipment, or any commercial loss due to the failure of the equipment; and any implied warranties are limited to the duration of this written warranty. This warranty is applicable only where the California, U.S. EPA, or Environment Canada emission control system warranty regulation is in effect.

#### **Warranted Parts List:**

The following is the emission warranty parts list for your small off-road engine:

- (i) Fuel Metering System
  - (A) Carburetor and internal parts (and/or pressure regulator or fuel injection system)
  - (B) Cold start enrichment system
  - (C) Intake valve(s)
- (ii) Air Induction System
  - (A) Intake manifold
  - (B) Air filter
- (iii) Ignition System
  - (A) Spark plugs
  - (B) Magneto or electronic ignition system
  - (C) Spark advance/retard system
  - (D) Ignition coil and/or control module
- (iv) Lubrication System
  - (A) Oil pump and internal parts
- (v) Positive Crankcase Ventilation (PCV) System
  - (A) PCV valve
  - (B) Oil filler cap
- (vi) Catalyst or Thermal Reactor System
  - (A) Catalytic converter
  - (B) Exhaust manifold
  - (C) Exhaust valve(s)

Kawasaki Motors Corp., U.S.A.  
Consumer Services Department  
5080 36th Street S.E.  
Grand Rapids, MI 49512  
Telephone: (877) 364-6404  
Email: kawpower-website@kmc-usa.com

# LIMITED WARRANTY, 7000 SERIES

Kohler Co. warrants to the original retail consumer that each new engine will be free from manufacturing defects in materials or workmanship for the applicable coverage period as set forth below, beginning on date of purchase; provided the engine is operated and maintained in accordance with Kohler Co.'s instructions and manuals.

## **Purchased Prior to November 1, 2017**

Type of use

|                   |         |
|-------------------|---------|
| Residential       | 3 Years |
| Commercial/Rental | 90 Days |

## **Purchased After November 1, 2017**

Type of use

|                   |         |
|-------------------|---------|
| Residential       | 3 Years |
| Commercial/Rental | 3 Years |

Our obligation under this warranty is expressly limited, at our option, to the replacement or repair of such part or parts as inspection shall disclose to be defective at Kohler Co., Kohler, Wisconsin 53044, or at a service facility designated by Kohler Co.

Mufflers on engines used commercially (non-residential) are warranted for one (1) year from date of purchase, except catalytic mufflers, which are warranted for two (2) years.

The following items are not covered by this warranty.

- Damage caused as a result of an accident or casualty.
- Failures caused by faulty repairs made by others.
- Failures caused by use of non-Kohler replacement service parts.
- Transportation charges in connection with the repair or replacement of defective parts.
- Repairs caused from improper storage, old or contaminated fuel left within the fuel system (tanks, fuel lines or carburetor).
- Damage caused from unreasonable use or neglect, normal wear, or premature wear from improper maintenance.
- Engine accessories such as fuel tanks, clutches, transmissions, power drive assemblies, and batteries, unless supplied or installed by Kohler Co. These are subject to the warranties, if any, of their manufacturers.

IMPLIED OR STATUTORY WARRANTIES, INCLUDING WARRANTIES OF MERCHANTABILITY OR FITNESS FOR A PARTICULAR PURPOSE, ARE EXPRESSLY LIMITED TO THE DURATION OF THIS WRITTEN WARRANTY. WE MAKE NO OTHER EXPRESS WARRANTY, OR IS ANYONE AUTHORIZED TO MAKE ANY ON OUR BEHALF. KOHLER CO. AND/OR THE SELLER SHALL NOT BE LIABLE FOR SPECIAL, INDIRECT, INCIDENTAL, OR CONSEQUENTIAL DAMAGES OF ANY KIND.

Some states or countries do not allow limitations on how long an implied warranty lasts, or the exclusion or limitation of incidental or consequential damages, so the above limitation or exclusion may not apply to you. This warranty gives you specific legal rights, and you may also have other rights which vary from country to country, or state to state within U.S.A.

### TO OBTAIN WARRANTY SERVICE:

Original retail consumer must bring the engine to an authorized Kohler dealer found by visiting [www.KohlerEngines.com](http://www.KohlerEngines.com) or telephone 1-800-544-2444 (U.S.A. and Canada).

### **Warranty Conditions-Australia**

The benefits given to you under this warranty are in addition to other rights and remedies that you have under Australian law in relation to the goods. All costs associated with claiming under this warranty must be borne by the consumer, including transport costs incurred in the repair or replacement of any defective part. Our goods come with guarantees that cannot be excluded under the Australian Consumer Law. You are entitled to a replacement or refund for a major failure and for compensation for any other reasonably foreseeable loss or damage. You are also entitled to have the goods repaired or replaced if the goods fail to be of acceptable quality and the failure does not amount to a major failure.

Kohler Co. Service Agent in Australia:

EPG Engines  
31 Powers Road  
Seven Hills, NSW, 2147  
61 2 9830 2295  
61 1800 069 399

[www.epgengines.com.au](http://www.epgengines.com.au)

ENGINE DIVISION, Kohler Co., Kohler Wisconsin

## **B) CALIFORNIA AND FEDERAL EXHAUST AND EVAPORATIVE EMISSIONS CONTROL WARRANTY STATEMENT YOUR WARRANTY RIGHTS AND OBLIGATIONS**

The California Air Resources Board, US Environmental Protection Agency ("US EPA") and Kohler Co. are pleased to explain the exhaust and evaporative emissions control systems warranty on your 2018-2020 Small Off-Road Engine ("SORE") and engine powered equipment as applicable. In California and the USA, new equipment that use SORE must be designed, built and equipped to meet California and US EPA stringent anti-smog standards. Kohler Co. must warrant the emission control systems on your SORE and engine powered equipment for the period listed below provided there has been no abuse, neglect or improper maintenance of your SORE or engine powered equipment leading to the failure of the emission control systems.

Your exhaust emission control systems may include parts such as carburetors, fuel-injection systems, the ignition system, and catalytic converters. Also included may be an evaporative emission control system which may include parts such as fuel tanks, fuel lines (for liquid fuel and vapors), fuel caps, valves, carbon canisters, clamps, connectors, and other associated components.

### **MANUFACTURER'S WARRANTY COVERAGE:**

The 1995 and later SORE exhaust and evaporative emission control systems are warranted for three years. If any exhaust or evaporative emission-related part on your SORE or engine powered equipment is defective, the part will be repaired or replaced by Kohler Co.

### **OWNER'S WARRANTY RESPONSIBILITIES:**

As the SORE or engine powered equipment owner, you are responsible for the performance of the required maintenance listed in your owner's manual. Kohler Co. recommends that you retain all receipts covering maintenance on your SORE or engine powered equipment, but Kohler Co. cannot deny warranty coverage solely for the lack of receipts. As the SORE or engine powered equipment owner, you should however be aware that Kohler Co. may deny you warranty coverage if your SORE or engine powered equipment or a part has failed due to abuse, neglect, improper maintenance or unapproved modifications.

You are responsible for presenting your SORE or engine powered equipment to a Kohler Co. distribution or service center as soon as a problem exists. The warranty repairs should be completed in a reasonable amount of time, not to exceed 30 days. If you have a question regarding your warranty coverage, you should contact a Kohler Dealer at 1-800-544-2444 or visit [www.kohlerengines.com](http://www.kohlerengines.com).

### **GENERAL EMISSIONS WARRANTY COVERAGE**

The warranty period begins on the date the engine or equipment is delivered to an ultimate purchaser. Kohler Co. warrants to the ultimate purchaser and each subsequent purchaser that the engine is: Designed, built, and equipped so as to conform with all applicable regulations adopted by the Air Resources Board and US EPA; and free from defects in materials and workmanship that cause the failure of a warranted part to be identical in all material respects to the part as described in the engine manufacturer's application for certification for the warranty period stated above.

The warranty on emissions-related parts is as follows:

- (1) Any warranted part that is not scheduled for replacement as required maintenance in the owner's manual supplied, is warranted for the warranty period stated above. If any such part fails during the period of warranty coverage, the part will be repaired or replaced by Kohler Co. at no charge to the owner. Any such part repaired or replaced under the warranty will be warranted for the remaining warranty period.
- (2) Any warranted part that is scheduled only for regular inspection in the owner's manual supplied, is warranted for the warranty period stated above. Any such part repaired or replaced under warranty will be warranted for the remaining warranty period.
- (3) Any warranted part that is scheduled for replacement as required maintenance in the owner's manual supplied, is warranted for the period of time prior to the first scheduled replacement point for that part. If the part fails prior to the first scheduled replacement, the part will be repaired or replaced by Kohler Co. at no charge to the owner. Any such part repaired or replaced under warranty will be warranted for the remainder of the period prior to the first scheduled replacement point for the part.
- (4) Add-on or modified parts that are not exempted by the Air Resources Board may not be used. The use of any non-exempted add-on or modified parts by the ultimate purchaser will be grounds for disallowing a warranty claim. The manufacturer will not be liable to warrant failures of warranted parts caused by the use of a non-exempted add-on or modified part.

## **PARTS COVERED BY WARRANTY**

Listed below are the parts (if equipped) covered by the Federal and California Emission Control Systems Warranty. Some parts listed below may require scheduled maintenance and are warranted up to the first scheduled replacement point for that part.

- Oxygen sensor
- Intake manifold
- Exhaust manifold
- Catalytic muffler
- Thermal reactor muffler
- Spark advance module
- Crankcase breather
- Air Injection System
  - Air pump or pulse valve assembly
  - Control/distribution valve
  - Distribution manifold
  - Air hoses
  - Vacuum lines
- Ignition module(s) with high tension lead
- Gaseous fuel regulator
- Electronic control unit
- Carburetor or fuel injection system
- Fuel metering valve
- Air filter, fuel filter, and spark plugs (only to first scheduled replacement point)
- Evaporative System
  - Carbon canister and carbon canister mounting bracket
  - Carbon canister filter
  - Purge port/orifice connector
  - Fuel tank
  - Fuel cap and fuel cap gasket
  - Primer bulb canister
  - Fuel line (for liquid fuel and fuel vapors), fuel line fittings and clamps
  - Carburetor purge port connector

## **Limitations**

This Emission Control Systems Warranty shall not cover any of the following:

- a. Consequential damages such as loss of time, inconvenience, loss of use of the engine or equipment, etc.
- b. Diagnosis and inspection fees that do not result in eligible warranty service being performed.

## **C) CALIFORNIA AND FEDERAL EXHAUST EMISSION CONTROL WARRANTY STATEMENT YOUR WARRANTY RIGHTS AND OBLIGATIONS**

The California Air Resources Board, US Environmental Protection Agency ("US EPA") and Kohler Co. are pleased to explain the exhaust emission control systems warranty on your 2018-2020 Off-Road Large Spark-Ignition engine displacing less than 1 liter ("LSI <1L") and engine powered equipment as applicable. In California and the USA, LSI <1L must be designed, built and equipped to meet California and US EPA stringent anti-smog standards. Kohler Co. must warrant the emission control systems on your LSI <1L for the period listed below provided there has been no abuse, neglect or improper maintenance of your LSI <1L.

Your exhaust emission control systems may include parts such as carburetors, fuel-injection systems, the ignition system, and catalytic converters.

### **MANUFACTURER'S WARRANTY COVERAGE:**

The 1995 and later LSI <1L exhaust emission control system is warranted for three years. If any exhaust emission-related part on your LSI <1L is defective, the part will be repaired or replaced by Kohler Co.

### **OWNER'S WARRANTY RESPONSIBILITIES:**

As the LSI <1L owner, you are responsible for the performance of the required maintenance listed in your owner's manual. Kohler Co. recommends that you retain all receipts covering maintenance on your LSI <1L, but Kohler Co. cannot deny warranty solely for the lack of receipts. As the LSI <1L owner, you should however be aware that Kohler Co. may deny you warranty coverage if your LSI <1L or a part has failed due to abuse, neglect, improper maintenance or unapproved modifications.

You are responsible for presenting your LSI <1L to a Kohler Co. distribution or service center as soon as a problem exists. The warranty repairs should be completed in a reasonable amount of time, not to exceed 30 days. If you have a

question regarding your warranty coverage, you should contact Kohler Dealer at 1-800-544-2444 or visit [www.KohlerEngines.com](http://www.KohlerEngines.com).

#### GENERAL EMISSIONS WARRANTY COVERAGE

The warranty period begins on the date the engine or equipment is delivered to an ultimate purchaser. Kohler Co. warrants to the ultimate purchaser and each subsequent purchaser that the engine is:

Designed, built, and equipped so as to conform with all applicable regulations adopted by the Air Resources Board and US EPA; and Free from defects in materials and workmanship that cause the failure of a warranted part to be identical in all material respects to the part as described in the engine manufacturer's application for certification.

The warranty on emissions-related parts is as follows:

(1) Any warranted part that is not scheduled for replacement as required maintenance in the owner's manual supplied, is warranted for the warranty period stated above. If any such part fails during the period of warranty coverage, the part will be repaired or replaced by Kohler Co. at no charge to the owner. Any such part repaired or replaced under the warranty will be warranted for the remaining warranty period.

(2) Any warranted part that is scheduled only for regular inspection in the owner's manual supplied, is warranted for the warranty period stated above. Any such part repaired or replaced under warranty will be warranted for the remaining warranty period.

(3) Any warranted part that is scheduled for replacement as required maintenance in the owner's manual supplied, is warranted for the period of time prior to the first scheduled replacement point for that part. If the part fails prior to the first scheduled replacement, the part will be repaired or replaced by Kohler Co. at no charge to the owner. Any such part repaired or replaced under warranty will be warranted for the remainder of the period prior to the first scheduled replacement point for the part.

(4) Add-on or modified parts that are not exempted by the Air Resources Board may not be used. The use of any non-exempted add-on or modified parts by the ultimate purchaser will be grounds for disallowing a warranty claim. The manufacturer will not be liable to warrant failures of warranted parts caused by the use of a non-exempted add-on or modified part.

#### PARTS COVERED BY WARRANTY

Listed below are the parts (if equipped) covered by the Federal and California Emission Control Systems Warranty. Some parts listed below may require scheduled maintenance and are warranted up to the first scheduled replacement point for that part.

- Oxygen sensor
- Intake manifold
- Exhaust manifold
- Catalytic muffler
- Thermal reactor muffler
- Fuel line, fuel line fittings and clamps
- Spark advance module
- Crankcase breather
- Air Injection System
  - Air pump or pulse valve assembly
  - Control/distribution valve
  - Distribution manifold
  - Air hoses
  - Vacuum lines
- Ignition module(s) with high tension lead
- Gaseous fuel regulator
- Electronic control unit
- Carburetor or fuel injection system
- Fuel metering valve
- Air filter, fuel filter, and spark plugs (only to first scheduled replacement point)

#### Limitations

This Emission Control Systems Warranty shall not cover any of the following:

- a. Consequential damages such as loss of time, inconvenience, loss of use of the engine or equipment, etc.
- b. Diagnosis and inspection fees that do not result in eligible warranty service being performed.



**All Models**

---

**Warranty**

---

**Policies and Procedures**

---



## Hydro-Gear® Warranty Policies and Procedures

### Limited Warranty

BLN-50225\_P18 March, 2019

Hydro-Gear Limited Partnership (hereinafter referred to as "Hydro-Gear") warrants to the original equipment manufacturer (OEM), authorized distributor, or authorized servicing dealer purchasing a Hydro-Gear product or replacement parts (such purchaser is hereinafter referred to as "Buyer") that the product or replacement parts will be free from defects in material and workmanship at the time of shipment from Hydro-Gear, and will conform to such drawings and specifications as are applicable to the product or replacement parts under Hydro-Gear's sales agreement with Buyer.

The duration of this limited warranty is as set forth in the section below under the heading "WARRANTY PERIODS." During the applicable period of warranty, Hydro-Gear shall repair or replace at its option those products or their parts which are found by Hydro-Gear to be defective in material or workmanship at time of shipment, provided that Hydro-Gear or its authorized representative is first advised in writing of Buyer's contention of such defect (during such warranty period) and provided further, that the product or, if applicable, the replacement part in question is made available for inspection by Hydro-Gear or its authorized representative. To facilitate inspection, Hydro-Gear may request return of the product and/or part which Buyer contends to be defective. Product or parts failures or malfunctions which are not attributable to defects in material and/or workmanship, and which are not covered by the said warranty include, but are not limited to:

- \* Inadequate, contaminated, or improper fluid.
- \* Accident, abuse, improper maintenance, or neglect.
- \* Stripped keyways, or splines stripped or worn on external shaft end.
- \* Improper mounting of external pulleys, gears, couplings, etc.
- \* Improper electrical connection or power supply.
- \* Corrosion, or other damage, resulting from battery acid leakage.
- \* Operating above those speeds, weights limits, pressures, or temperatures recommended by Hydro-Gear.
- \* Use of the product in a manner or for a purpose not originally intended for by Hydro-Gear or failure to use in strict accordance with Hydro-Gear's written instructions.
- \* Repairs or installation by personnel other than as authorized by Hydro-Gear.
- \* Transportation.
- \* Use of parts other than Genuine Hydro-Gear Parts or other parts authorized in writing by Hydro-Gear.
- \* Misdiagnosis of component failure.
- \* Maintenance items such as filters, oil, etc.

THE WARRANTIES SET FORTH HEREIN ARE IN LIEU OF AND TO THE EXCLUSION OF ALL OTHER WARRANTIES, WHETHER EXPRESS, IMPLIED, OR STATUTORY, INCLUDING BUT NOT BY WAY OF LIMITATION, WARRANTIES OF MERCHANTABILITY OR FITNESS FOR A PARTICULAR PURPOSE.

HYDRO-GEAR'S LIABILITY, WHETHER OF WARRANTY, NEGLIGENCE, OR OTHERWISE, IS LIMITED TO THE REPAIR OR REPLACEMENT AS HEREIN PROVIDED OR, AT HYDRO-GEAR'S SOLE OPTION, TO A REFUND OF THE PURCHASE PRICE. **THIS SHALL BE HYDRO-GEAR'S SOLE AND MAXIMUM LIABILITY AND UNDER NO CIRCUMSTANCES SHALL HYDRO-GEAR BE LIABLE FOR LIQUIDATED, SPECIAL, INCIDENTAL OR CONSEQUENTIAL DAMAGES.**

If Buyer grants warranty on Hydro-Gear products of greater scope than the warranties provided by Hydro-Gear, or extends any warranty period beyond the applicable period described in "**WARRANTY PERIODS,**" Buyer does so at its sole risk and expense and Buyer will indemnify and hold Hydro-Gear harmless from any claims of any party based on such greater warranty or period, and any expenses incurred in the defense of such claims. This warranty only applies to OEM's, authorized distributors, authorized servicing dealers, and by its terms does not extend to any person buying the product from such OEM, authorized distributor, or authorized servicing dealer, for personal, family, or household use. If Buyer makes available the benefits of this warranty to its customer, and if the Magnuson-Moss Warranty Improvement Act (Pub. L. 93-637) or similar state laws should apply, Buyer assumes all responsibility for compliance with such laws and any expenses incurred in the defense of any such claims, thereunder.



**Note: Proof of purchase must be available if requested to assist in determining commencement of the warranty period. If proof of purchase is not available, the Hydro-Gear Serial Number will determine the commencement of the warranty period.**

## **I. ORIGINAL (OEM) INSTALLED PRODUCTS<sup>Δ</sup>**

### **A. REVIEWED TWO YEAR NONCOMMERCIAL\* USAGE** (See Figure 1, Hydro-Gear Warranty Time Frames)

The warranty period shall be limited to the earlier of:

- (i) 24 consecutive months (2 years) from the date of first sale\*\* of the product, or
- (ii) 24 consecutive months (2 years) from the date of manufacture if proof of purchase is not available upon request, and is subject to a limitation of 48 consecutive months (4 years) from the date of manufacture.\*\*\*

### **B. REVIEWED ONE YEAR COMMERCIAL USAGE** (See Figure 1, Hydro-Gear Warranty Time Frames)

The warranty period shall be limited to the earlier of:

- (i) 12 consecutive months (1 year) from the date of the first sale of the product, or
- (ii) 90 days from the date of the first sale of the product on Rental applications; or
- (iii) 12 consecutive months (1 year) from the date of manufacture if proof of purchase is not available upon request, and is subject to a limitation of 48 consecutive months (4 years) from the date of manufacture.

### **C. REVIEWED TWO YEAR COMMERCIAL USAGE** (See Figure 1, Hydro-Gear Warranty Time Frames)

The warranty period shall be limited to the earlier of:

- (i) 24 consecutive months (2 years) from the date of the first sale of the product, or
- (ii) 90 days from the date of the first sale of the product on Rental applications; or
- (iii) 24 consecutive months (2 years) from the date of manufacture if proof of purchase is not available upon request, and is subject to a limitation of 48 consecutive months (4 years) from the date of manufacture.

## **II. REPLACEMENT PARTS AND UNITS<sup>Δ</sup>**

### **A. HYDRO-GEAR REPLACEMENT PARTS**

- (i) All parts shall be warranted for 90 days from the date of first sale, or the balance of the original product warranty, whichever is longer.
- (ii) This warranty is subject to a limitation of 48 consecutive months (4 years) from the date of manufacture.

### **B. HYDRO-GEAR REPLACEMENT UNITS**

- (i) Replacement units shall be warranted for 180 days from the date of first sale, or the balance of the original product warranty, whichever is longer.
- (ii) Nevertheless, the warranty period for replacement units in Rental applications is limited to 90 days from the date of first sale.
- (iii) These warranties for replacement units are subject to a limitation of 48 consecutive months (4 years) from the date of manufacture.

<sup>Δ</sup> All Product repairs and replacements must be performed by an authorized dealer or service center to prevent Hydro-Gear's warranty from being voided.

\* Noncommercial - any vehicle not reviewed for commercial use by Hydro-Gear.

\*\* First sale - is considered the date a vehicle, replacement part or replacement unit is first sold by Buyer (OEM, authorized distributor, or authorized servicing dealer).

\*\*\* 48 consecutive months (4 years) from the date of manufacture – Any warranty period listed herein will remain in effect for its entire duration on any sale of the product by Buyer occurring up to 48 consecutive months (4 years) from the date of manufacture by Hydro-Gear. Hydro-Gear will not reimburse Buyer on warranty claims pertaining to products sold by Buyer more than 48 consecutive months (4 years) from the date of manufacture by Hydro-Gear. In the latter case, any warranty offered by Buyer is at the sole risk and expense of Buyer. In such case, Buyer will indemnify and hold Hydro-Gear harmless from the claims of any party based on such warranty, and from any expenses incurred in the defense of such claims.

# Warranty Claims Procedure

- A. Claims submitted to Hydro-Gear will require a Hydro-Gear, OEM, Outdoor Power Equipment Institute (OPEI) or equivalent claim form from the servicing dealer. Dealer claims must provide all pertinent information typical on OPEI claim forms, i.e., owner's name, servicing dealer, Hydro-Gear Serial Numbers, symptoms, repair date, and type of use, etc.
- B. Complete Hydro-Gear product Model Number and Serial Number must be provided.
- C. All claims must be filed within 45 days of unit failure.
- D. Warranty claims will be processed in accordance with: BLN-51371 for the United States and Canada; BLN-51373 for Europe, and BLN-51374 for Australia.
- E. Hydro-Gear reserves the right to reduce or reject a warranty claim which does not comply with the stated procedures.
- F. Warranty labor rate(s) will be set by Hydro-Gear.
- G. Labor rate time guidelines will be as follows:

| Hydraulic Units            |                           | Electric Units                            |                           |
|----------------------------|---------------------------|---|---------------------------|
| Hydraulic Unit Replacement | Up to Two hours maximum   | Electric Unit (Transaxle) Replacement     | Up to Two hours maximum   |
| Hydraulic External Repair  | Up to One hour maximum    | Electric Unit (Transaxle) External Repair | Up to One hour maximum    |
| Hydraulic Internal Repair  | Up to Three hours maximum | Electric Unit (Transaxle) Internal Repair | Up to Three hours maximum |
|                            |                           | Electric Component Replacement or Repair  | Up to One hour maximum    |

| Hydro-Gear Warranty Time Frames                    |                            |                         |                         |
|--|----------------------------|-------------------------|-------------------------|
| Hydraulic Product Group                            | 2 Year Noncommercial Usage | 1 Year Commercial Usage | 2 Year Commercial Usage |
| ZT-1800 / ZT-2100 / ZT-2200 (EZT)<br>ZT-2800       | Yes                        | No                      | No                      |
| ZT-3100 / ZT-3200                                  | Yes                        | Yes                     | No                      |
| ZT-3400 / ZT-3600 / ZT-3800 / ZT-4400 /<br>ZT-5400 | Yes                        | -                       | Yes                     |
| SST  | Yes                        | No                      | No                      |
| RT-310   | Yes                        | Yes                     | No                      |
| T1 / T2 / T3                                       | Yes                        | No                      | No                      |
| 310-0510 / 310-0610 / 310-0710                     | Yes                        | No                      | No                      |
| 310-2000 / G700 / 310-3000 / 310-3500              | Yes                        | No                      | No                      |
| Pumps (PC)   | Yes                        | Yes                     | No                      |
| Pumps (PJ, PE, PL, PG, PK, PR, PW, PY)             | Yes                        | -                       | Yes                     |
| Piston Motor (HGM-H, PRM)                          | Yes                        | -                       | Yes                     |

Figure 1: Hydraulic Warranty Time Frames

| Smartec Warranty Time Frames |                            |                         |                         |
|------------------------------|----------------------------|-------------------------|-------------------------|
| Electric Product Group       | 2 Year Noncommercial Usage | 1 Year Commercial Usage | 2 Year Commercial Usage |
| Electric Drive - ZT          | Yes                        | No                      | No                      |
| Electric Drive - LT          | Yes                        | No                      | No                      |

Figure 2: Smartec Warranty Time Frames

- a) All warranty times listed in Figures 1 & 2 are for products originally installed in a machine by an OEM manufacturer.
- b) See sections I(B), I(C), II(A) and II(B) on the **Warranty Periods** page for Rental Application, Replacement Part, and Replacement Unit warranty information.



## Battery Warranty Terms

The OE Interstate Battery will be covered under a free replacement warranty for 6 months. This warranty period will begin the date the lawnmower is purchased by the end user.

## Battery Warranty Process

If you have a lawnmower that won't start, please complete these steps before calling for a warranty replacement. Completion of these steps before calling will expedite the warranty process.

1. Check the voltage of the battery. If the voltage reading is at or below 12.60 volts, the battery is most likely discharged and needs a slow recharge. If this is the case, move to step 2. If your battery's voltage is above 12.60 volts, move to step 5.
2. Charge the battery with a slow charger (4 amps or less). If you have an automatic shut-off charger, connect the battery to the charger and let the charger complete its charge cycle. If using a manual charger, utilize the following chart to determine necessary recharge time (a 15-60 minute charge WILL NOT be a sufficient recharge for a discharged battery and will be refused for warranty):

### Open Circuit Voltage

| Battery Voltage | State of Charge | Recommended Charge Time (Hours) |        |         |
|-----------------|-----------------|---------------------------------|--------|---------|
|                 |                 | 1 Amp                           | 2 Amps | 4 Amps* |
| 12.84           | 100%            | 0                               | 0      | 0       |
| 12.60           | 70%             | 20                              | 10     | 5       |
| 12.40           | 50%             | 32                              | 16     | 8       |
| 12.20           | 25%             | 52                              | 26     | 13      |
| 12.00           | 0%              | 72                              | 36     | 18      |

3. Once recommended charging time is complete, let battery rest for as long as possible (up to 24 hours) to deplete surface charge and increase testing accuracy.
4. Check voltage again. If the battery's voltage is still below 12.60 volts, repeat step 2. If voltage is above 12.60 volts, move to step 5.
5. Load test the battery according the instructions of your load tester and to the ratings of the battery. If the battery passes the load test, it can be re-installed in the lawnmower.
6. If the battery fails the load test, please contact Interstate Batteries at the number below to process the warranty battery. Please have the battery with you as the part number and manufacturer's date code will be required.

**Interstate Batteries of NWMO**  
**(816) 424-3417**  
**sales@myinterstatestore.com**

## SPECIFICATIONS

### AVENUE

| MODEL   | 1842KAJ-A115   | 2354KOJ-A115   |
|---|--|--|
| Engine  | 18hp Kawasaki FR600 (603cc)  | 23hp Kohler KT730 (725cc)  |
| Hydrostatic Transmissions                                     | Hydro-Gear EZT   |  |
| Steering Control  | Single Joystick  |  |
| Fuel Capacity   | 5 Gallons  |  |
| Tires, Rear   | 18 X 8.5-8 Turf  | 18 X 9.5-8 Turf  |
| Tires, Front  | 13x5-6 Smooth  |  |
| Turning Radius  | Zero-Turn  |  |
| Ground Speed<br>Forward<br>Reverse                            | 7 MPH (infinitely variable)<br>3 <sup>3</sup> / <sub>4</sub> " MPH (infinitely variable)                       |  |
| Length  | 79"  |  |
| Height,   | 29" (Seat Cushion), 45" (Seat Back)  |  |
| Width, Tractor<br>(outside rear tires)                        | 42 <sup>3</sup> / <sub>4</sub> "   | 44 <sup>1</sup> / <sub>2</sub> "                                     |
| Width, Deck<br>(with deck chute up)<br>(with deck chute down) | 42 <sup>3</sup> / <sub>4</sub> "<br>54 <sup>1</sup> / <sub>4</sub> "   | 55 <sup>1</sup> / <sub>8</sub> "<br>66 <sup>1</sup> / <sub>2</sub> " |
| Cutting Width   | 42"  | 54"  |
| Blade Length<br>(3 per deck)                                  | 21"  | 18 <sup>3</sup> / <sub>8</sub> "                                     |
| Cutting Height  | 1 <sup>1</sup> / <sub>2</sub> " to 4 <sup>1</sup> / <sub>2</sub> " ( <sup>1</sup> / <sub>4</sub> " increments) |  |
| Weight (actual)   | 587#   | 635#   |
| Standard Features   | Stand-Up Deck, Electric Start, Sewn Seat, Sewn Arm Rest, Cup Holder, Fixed Front End, Hitch Plate              |  |

### BOULEVARD

| MODEL   | 2348KOJ-B215   | 2354KOJ-B215   | 2354KOT-B215                            | 2360KOT-B215 | 2360KOJ-B215    |
|---|--|--|---|--------------|-----------------|
| Engine  | 23hp Kohler KT730 (725cc)  |  |   |              |                 |
| Hydrostatic Transmissions                                     | Hydro-Gear ZT-2800 w/RTN Spring  |  |   |              |                 |
| Steering Control  | Single Joystick  |  | Twinstick Controls                      |              | Single Joystick |
| Fuel Capacity   | 5 Gallons  |  |   |              |                 |
| Tires, Rear   | 20x10-10 Turf  | 20x12-10 Turf  |   |              |                 |
| Tires, Front  | 13 X 6.5-6 Smooth  |  |   |              |                 |
| Turning Radius  | Zero-Turn  |  |   |              |                 |
| Ground Speed<br>Forward<br>Reverse                            | 7 <sup>1</sup> / <sub>2</sub> " MPH (infinitely variable)<br>4 MPH (infinitely variable)                       |  |   |              |                 |
| Length  | 79"  |  |   |              |                 |
| Height,   | 30" (Seat Cushion), 46" (Seat Back)  |  |   |              |                 |
| Width, Tractor<br>(outside rear tires)                        | 47 <sup>1</sup> / <sub>4</sub> "   | 48 <sup>1</sup> / <sub>2</sub> "                                     |   |              |                 |
| Width, Deck<br>(with deck chute up)<br>(with deck chute down) | 49 <sup>5</sup> / <sub>8</sub> "<br>57 <sup>3</sup> / <sub>4</sub> "   | 55 <sup>1</sup> / <sub>8</sub> "<br>66 <sup>1</sup> / <sub>2</sub> " | 62"<br>73 <sup>1</sup> / <sub>2</sub> " |              |                 |
| Cutting Width   | 48"  | 54"  |   | 60"          |                 |
| Blade Length<br>(3 per deck)                                  | 17"  | 18 <sup>3</sup> / <sub>8</sub> "                                     |   | 21"          |                 |
| Cutting Height  | 1 <sup>1</sup> / <sub>2</sub> " to 4 <sup>1</sup> / <sub>2</sub> " ( <sup>1</sup> / <sub>4</sub> " increments) |  |   |              |                 |
| Weight (actual)   | 688#   | 700#   |   | 722#         |                 |
| Standard Features   | Stand-Up Deck, Hour Meter, Electric Start, Sewn Seat, Sewn Arm Rest, Cup Holder, Fixed Front End, Hitch Plate  |  |   |              |                 |

*Specifications subject to change without prior notice*



**PRODUCT MANUAL**

**AVENUE**

A115

**BOULEVARD**

B215

**Country Clipper Division**

Shivvers Manufacturing, Inc.

613 W. English St.

Corydon, IA 50060-0467

Ph. 641-872-2544

Fax. 641-872-1593

P-13525 (Rev C - 4/22)