



ARIENS

Apex

Parts Manual

Models:

991151
991153
991155
991157



THE MANUAL

Before you operate your unit, carefully and completely read manuals supplied with the unit. The contents will provide you with an understanding of safety instructions and controls during normal operation and maintenance.

For your safety and the safety of others always read, understand, and follow all DANGER, WARNING, and CAUTION messages found in manuals and on safety decals.

Hardware descriptions are given in decimals.

Decimals to Fractions			
.063	1/16	.563	9/16
.125	1/8	.625	5/8
.188	3/16	.688	11/16
.250	1/4	.750	3/4
.313	5/16	.813	13/16
.375	3/8	.875	7/8
.438	7/16	.938	15/16
.500	1/2	1.00	1

SERVICE AND REPLACEMENT PARTS

When ordering replacement parts or making service inquiries, know the Model and Serial numbers of your unit and engine.

Numbers are located on the product registration card in the unit literature package. They are printed on a serial number label, located on the frame of your unit.

- Record Unit Model and Serial numbers here:

- Record Engine Model and Serial numbers here:

UNAUTHORIZED REPLACEMENT PARTS

Use only Ariens replacement parts. The replacement of any part on this vehicle with anything other than an Ariens authorized replacement part may adversely affect the performance, durability, or safety of this unit and may void the warranty. Ariens disclaims liability for any claims or damages, whether warranty, property damage, personal injury or death arising out of the use of unauthorized replacement parts.

PRODUCT REGISTRATION

The Ariens dealer must register the product at the time of purchase. Registering the product will help the company process warranty claims or contact you with the latest service information. All claims meeting requirements during the limited warranty period will be honored, whether or not the product registration card is returned. Keep a proof of purchase if you do not register your unit.

Customer Note: If Dealer does not register your product, please fill out, sign and return the product registration card to Ariens or go to www.ariens.com.

YOUR SATISFACTION IS IMPORTANT

Questions? Please follow these helpful steps:

1. Refer to the manuals supplied with your unit.
They will guide you through safe and proper operation and maintenance.
They contain specifications on your unit.
If your questions are not answered in these manuals, go to step number two.

2. Contact Your Dealer.
Our dealers will be happy to supply any service or advice required to keep your unit operating at peak efficiency.

A factory trained staff is available to support your equipment needs. They stock genuine Ariens parts and lubricants manufactured with the same precision and skill as the original.

If your questions are not resolved by the support staff, ask for the manager or owner.

When contacting your Dealer supply your model and serial numbers.

TO SPEED PARTS ORDERING:

1. Know the model and serial numbers of your unit.
2. Know the part number required.
3. Know the quantity required.
4. Know the part description.

MODELS

Model 991151 (Apex 60)

Kawasaki FR730 24HP, 60" Mower Deck
Serial No. 000101 - 000104

Model 991153 (Apex 48)

Kohler TWIN - 23 HP, 48" Mower Deck
Serial No. 000101 - 000103

Model 991155 (Apex 52)

Kohler TWIN - 23 HP, 52" Mower Deck
Serial No. 000101 - 000412

Model 991157 (Apex 60)

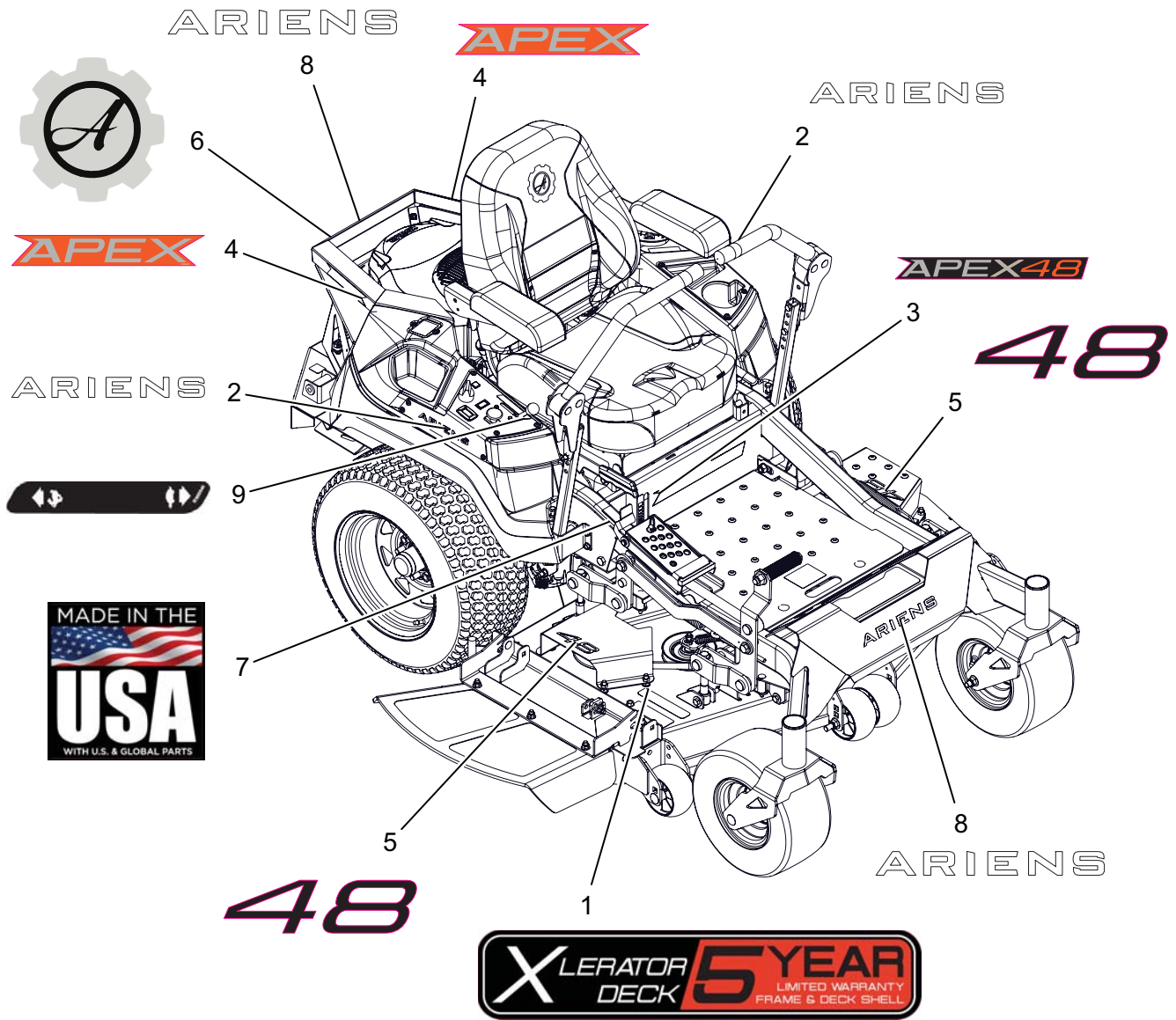
Kohler TWIN - 25 HP Pro, 60" Mower Deck
Serial No. 000101 - 000302

TABLE OF CONTENTS

Decals – Safety	4
Decals – Style 48"	5
Decals – Style 52"	6
Decals – Style 60"	7
Frame – 48" and 52"	8
Frame – 60"	9
Engine – Kawasaki FR730	10
Engine – Kohler Twin 23 HP	11
Engine – Kohler Twin 25 HP	12
Clutch	13
Heat Shield	14
Bumper	15
Fenders	16
Seat	17
Fuel System – Kawasaki	18
Fuel System – Kohler	19
Controls	20
Parking Brake	21
Front Caster Wheels	22
Rear Tires and Transaxles – 48"	23
Rear Tires and Transaxles – 52"	24
Rear Tires and Transaxles – 60"	25
Transaxle Drive	26
Control Panel	27
Electrical	28
Wiring Diagram	29
Deck Lift – RH	30
Deck Lift – LH	31
Deck, Belt, Blades and Spindles – 48"	32
Deck, Belt, Blades and Spindles – 52"	33
Deck, Belts, Blades and Spindles – 60"	34
Idlers and Sheaves – 48"	35
Idlers and Sheaves – 52"	36
Idlers and Sheaves – 60"	37
Anti-Scalp Wheels and Baffle – 48"	38
Anti-Scalp Wheels and Baffle – 52"	39
Anti-Scalp Wheels and Baffle – 60"	40
Belt Covers – 48"	41
Belt Covers – 52"	42
Belt Covers – 60"	43
Discharge Chute	44

DECALS – STYLE 48"

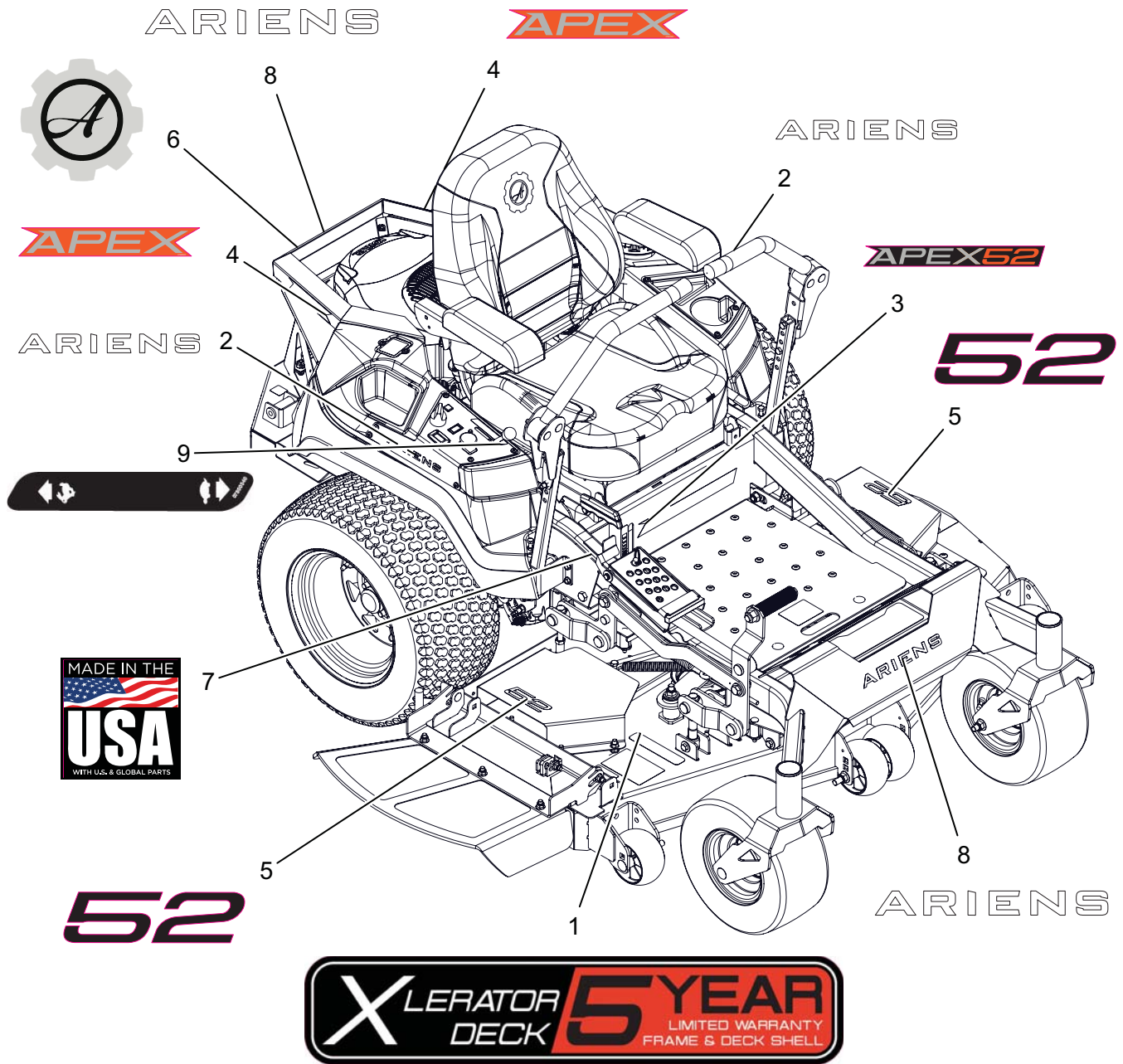
Models 991153



BOM ID	Number	Qty	Description
1	07800734	1	DECAL, ARIENS - 5 YEAR DECK
2	07800829	2	DECAL, ARIENS 6.00"
3	07800840	1	DECAL, KICKPLATE - ARIENS APEX 48
4	07800901	2	DECAL, APEX FENDER
5	07800906	2	DECAL, BLACK - 48
6	07800837	1	DECAL, ARIENS - GEAR BADGE (THK)
7	08001038	1	DECAL, MADE IN USA
8	08001108	2	DECAL, ARIENS - BADGE
9	07800540	1	DECAL, DASH

DECALS – STYLE 52"

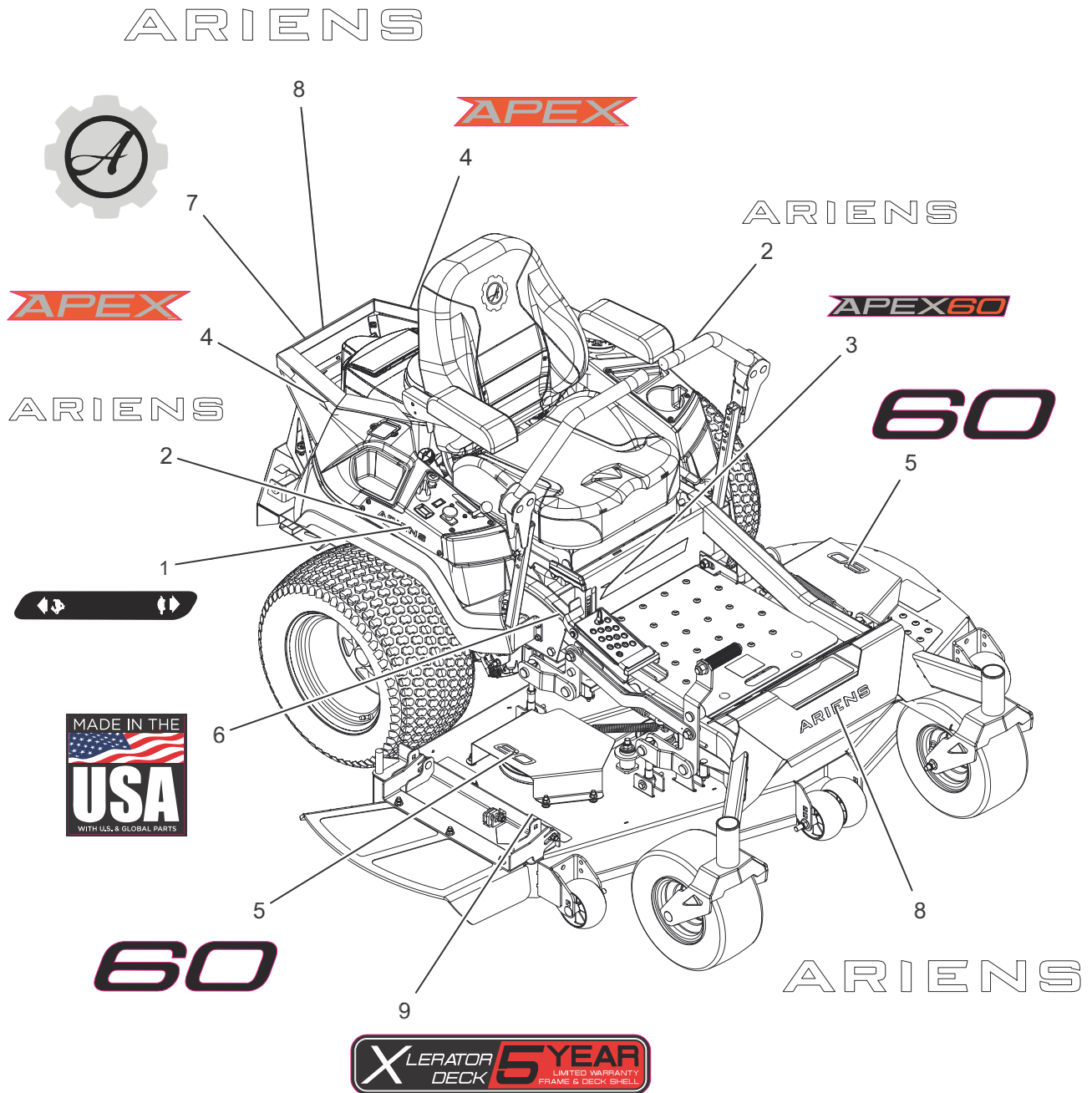
Model 991155



BOM ID	Number	Qty	Description
1	07800734	1	DECAL, ARIENS - 5 YEAR DECK
2	07800829	2	DECAL, ARIENS 6.00"
3	07800839	1	DECAL, KICKPLATE - ARIENS APEX 52
4	07800901	2	DECAL, APEX FENDER
5	07800905	2	DECAL, BLACK - 52
6	07800837	1	DECAL, ARIENS - GEAR BADGE (THK)
7	08001038	1	DECAL, MADE IN USA
8	08001108	2	DECAL, ARIENS - BADGE
9	07800540	1	DECAL, DASH

DECALS – STYLE 60"

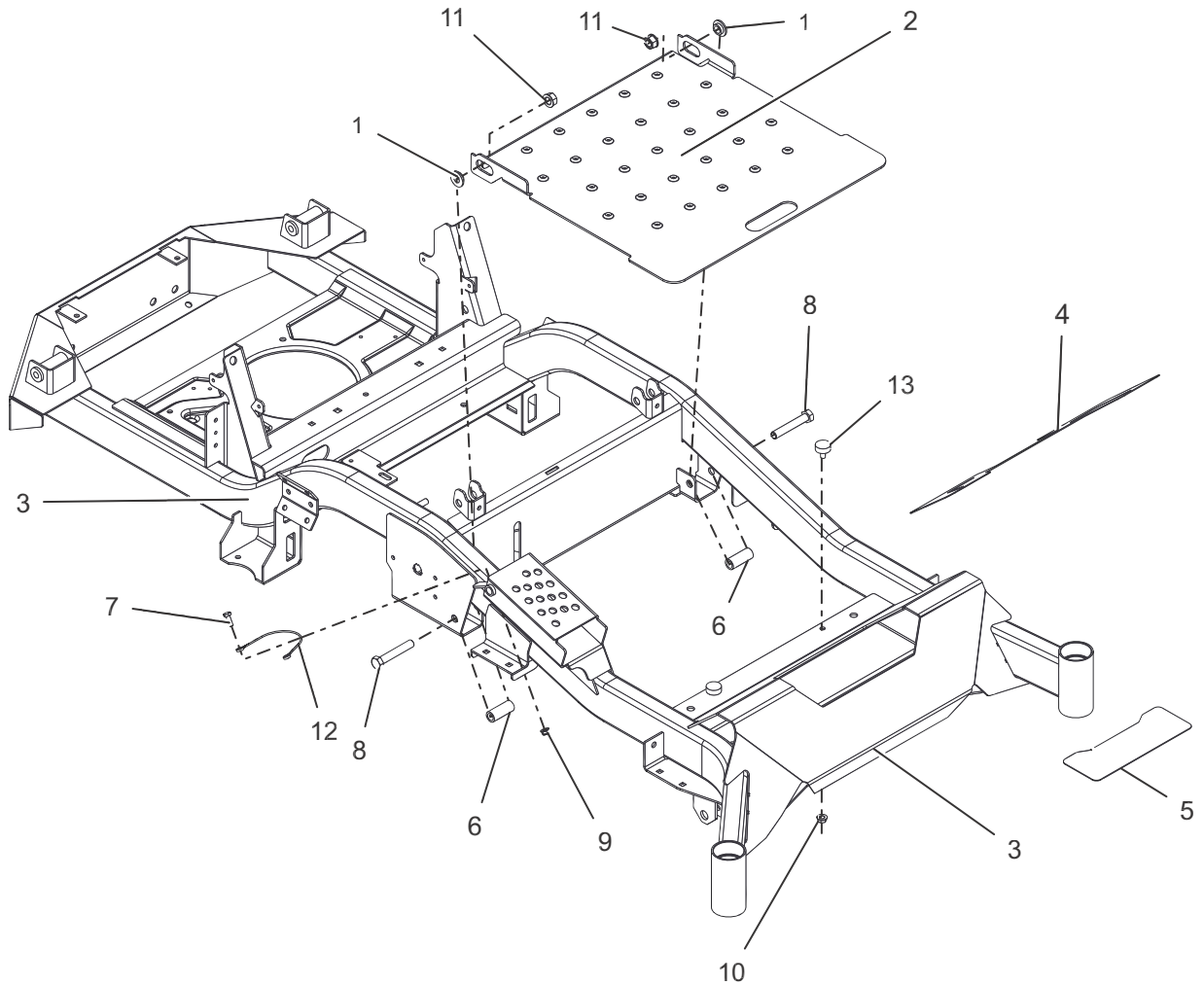
Models 991151, 157



BOM ID	Number	Qty	Description
1	07800540	1	DECAL, DASH
2	07800829	2	DECAL, ARIENS 6.00"
3	07800838	1	DECAL, KICKPLATE - ARIENS APEX 60
4	07800901	2	DECAL, APEX FENDER
5	07800904	2	DECAL, BLACK - 60
6	08001038	1	DECAL, MADE IN USA
7	07800837	1	DECAL, ARIENS - GEAR BADGE (THK)
8	08001108	2	DECAL, ARIENS - BADGE
9	07800734	1	DECAL, ARIENS - 5 YEAR DECK

FRAME – 48" AND 52"

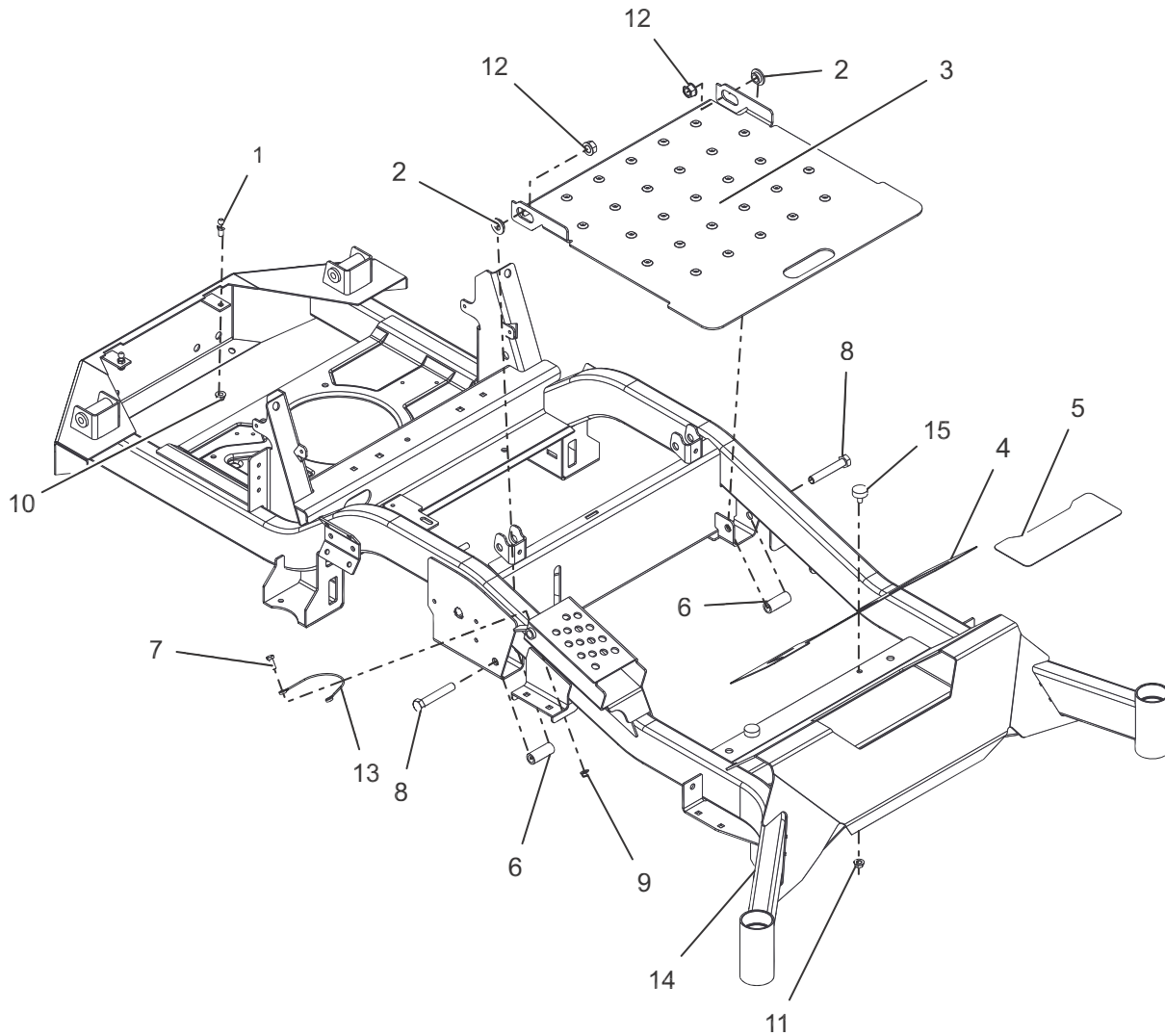
Models 991153, 155



BOM ID	Number	Qty	Description
1	03989100	2	BSHG, FLANGE .515X.750X.31X1.12
2	05028559	1	PANEL, ACCESS
3	59111200	1	WLDMT, MAIN
4	05104800	1	GRIP, FRONT
5	05109100	1	GRIP, STEP
6	05501319	2	SPCR, .515X.75X1.83
7	05946800	1	BOLT, HEX 0.25-20X0.75 GR5
8	05959900	2	BOLT, HEX 0.5-13X3 GR5
9	06500012	1	NUT-LK-NYL-FLG .25-20 YWZC
10	06530400	2	@NUT-SPNLK-FLG .312-18 YWZC
11	06543600	2	NUT, LK-TOP-FLG .50-13 YWZC
12	06900317	1	LANYARD, 12"
13	07533600	2	BUMPER, RUBBER

FRAME – 60"

Models 991151, 157

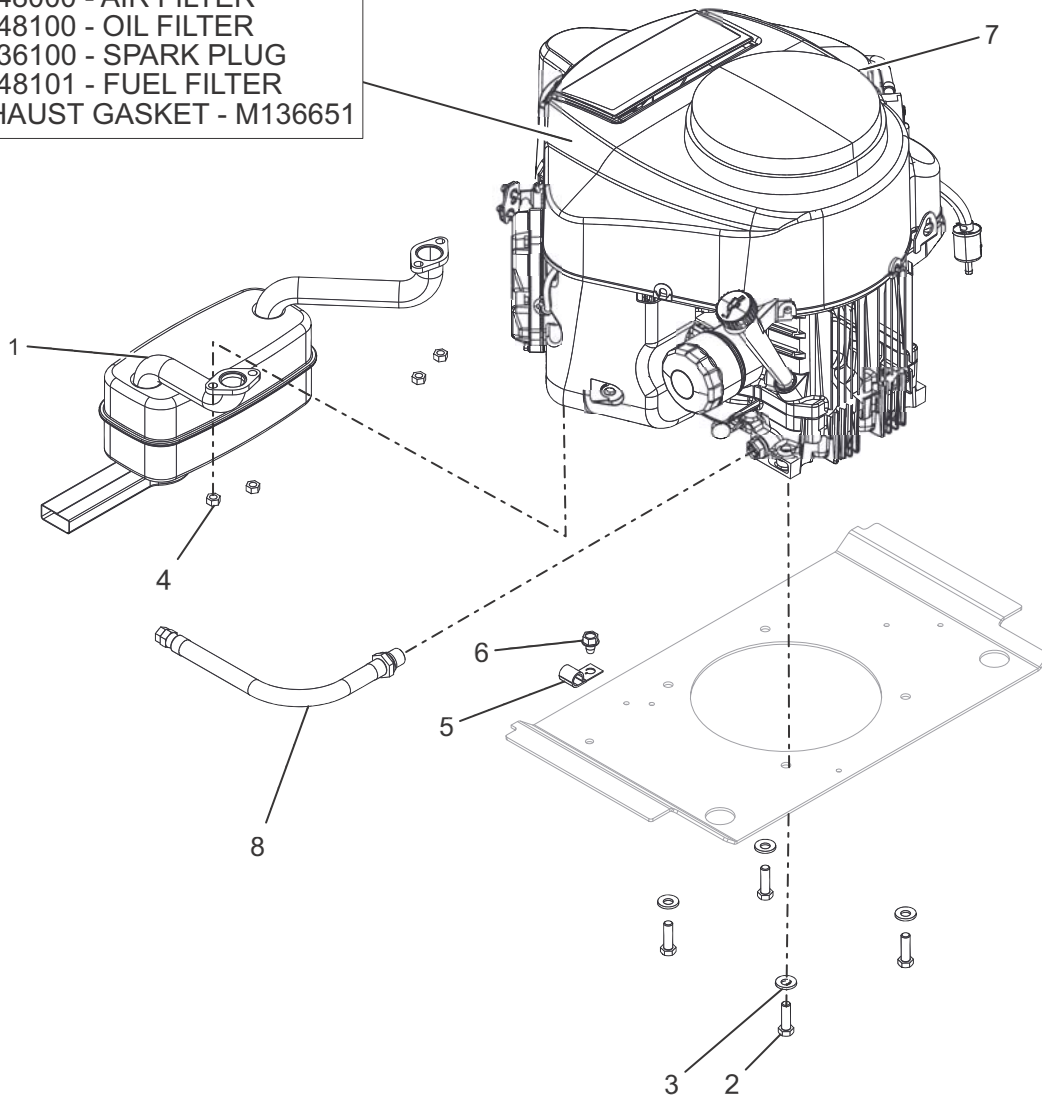


BOM ID	Number	Qty	Description
1	03652200	2	STUD-BALL
2	03989100	2	BSHG, FLANGE .515X.750X.31X1.12
3	05028559	1	PANEL, ACCESS
4	05104800	1	GRIP, FRONT
5	05109100	1	GRIP, STEP
6	05501319	2	SPCR, .515X.75X1.83
7	05946800	1	BOLT, HEX 0.25-20X0.75 GR5
8	05959900	2	BOLT, HEX 0.5-13X3 GR5
9	06500012	1	NUT-LK-NYL-FLG .25-20 YWZC
10	06500809	2	NUT, LK-NYL-FLG .31-18 GR5 ZC120
11	06530400	2	@NUT-SPNLK-FLG .312-18 YWZC
12	06543600	2	NUT, LK-TOP-FLG .50-13 YWZC
13	06900317	1	LANYARD, 12"
14	59111300	1	WLDMT, MAIN
15	07533600	2	BUMPER, RUBBER

ENGINE – KAWASAKI FR730

Model 991151

SERVICE PARTS:
 21548000 - AIR FILTER
 21548100 - OIL FILTER
 21536100 - SPARK PLUG
 21548101 - FUEL FILTER
 EXHAUST GASKET - M136651

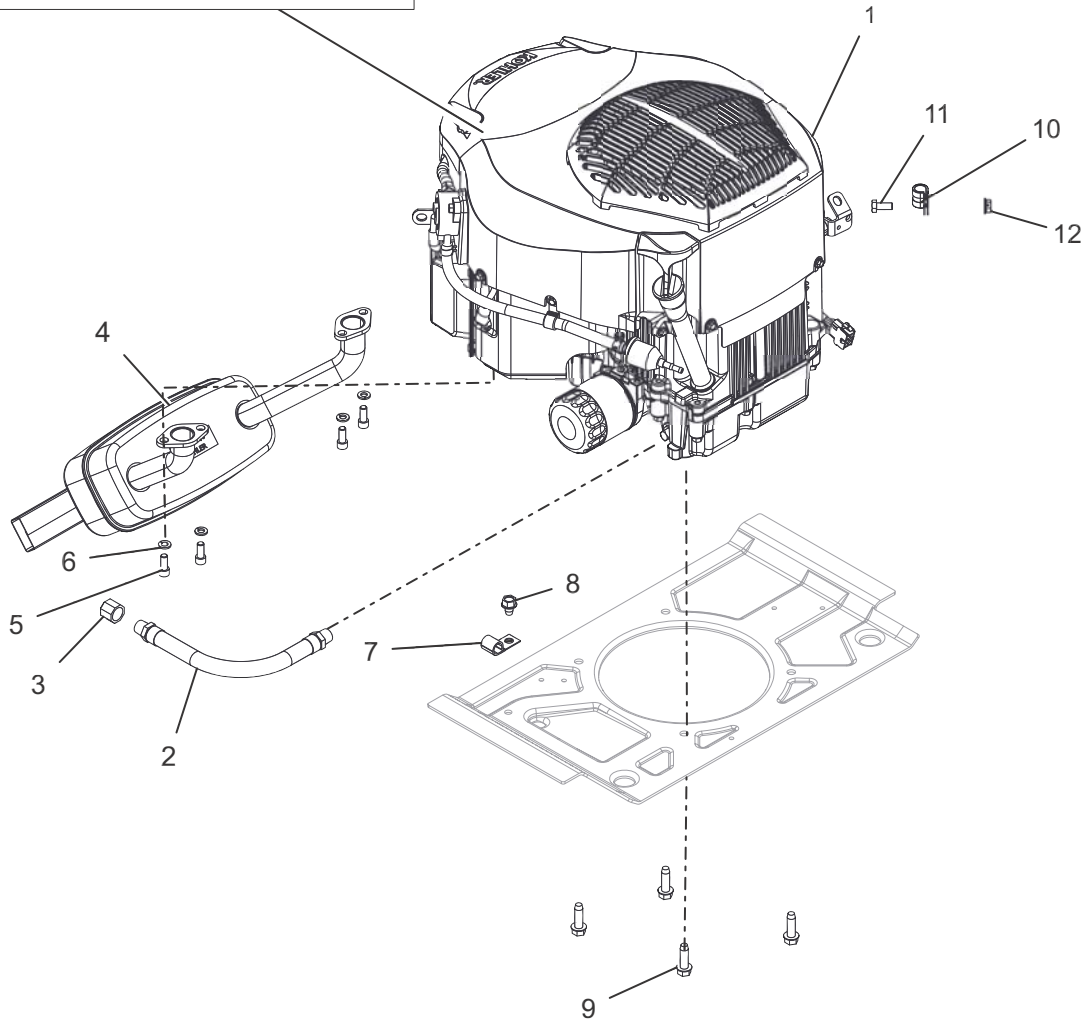


BOM ID	Number	Qty	Description
1	04754300	1	MUFFLER, KAWASAKI
2	05901522	4	BOLT, HEX 0.375-16X1.25 GR5
3	06400927	4	WSHR, 3/8" SPRING DISC
4	06500018	4	NUT-LK-TOP M8-1.25 YWZC
5	06916000	1	J-CLAMP
6	07412900	1	SCR-TAP .38-16X.50 HWH TR YWZ
7	08200718	1	ENGINE, KAWASAKI
8	07001730	1	HOSE, OIL DRAIN

ENGINE – KOHLER TWIN 23 HP

Model 991153, 155

SERVICE PARTS:
 21555500 - AIR FILTER
 21397200 - OIL FILTER
 21541500 - FUEL FILTER
 21562200 - SPARK PLUG
 05600505 - EXHAUST GASKET

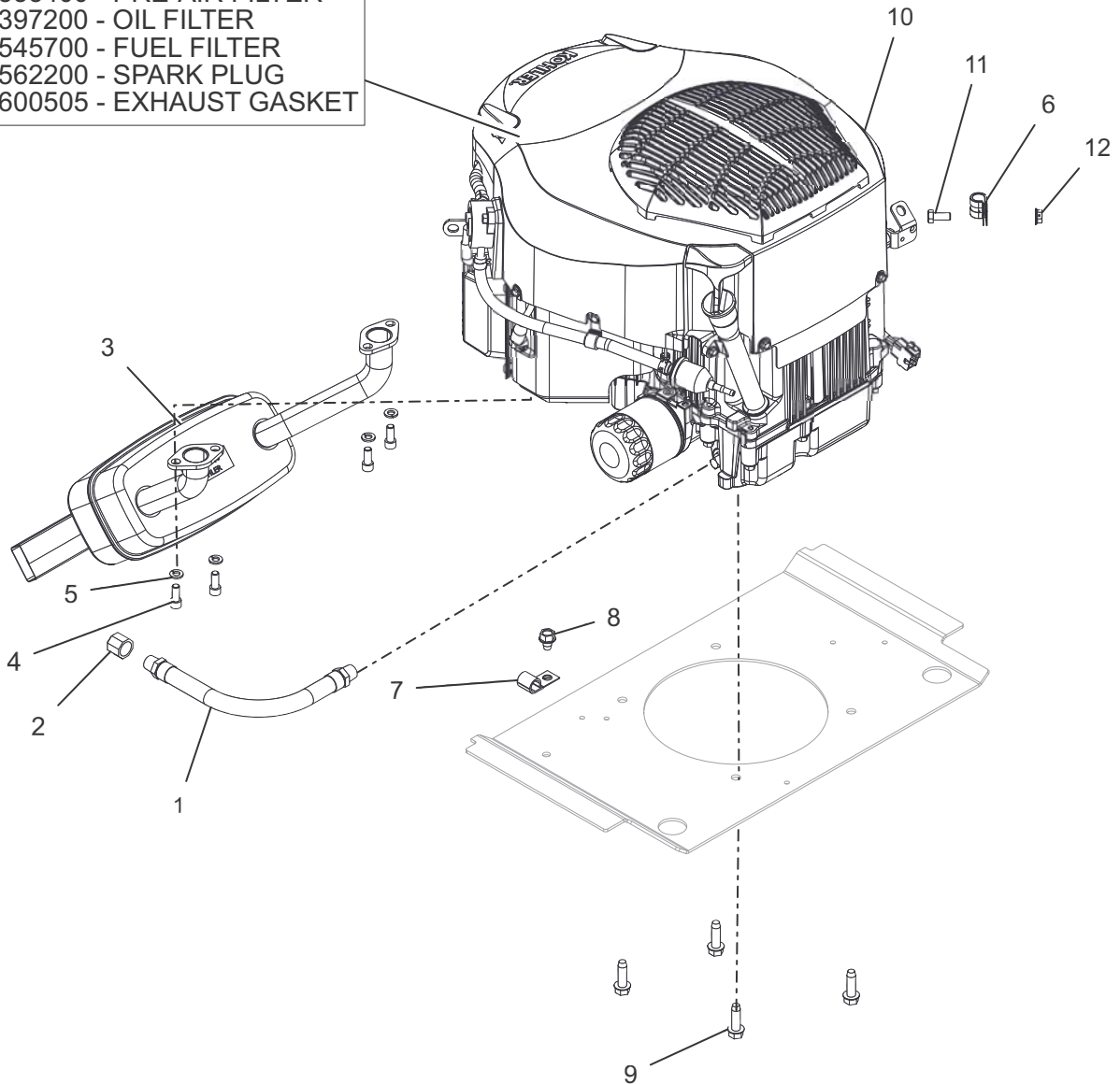


BOM ID	Number	Qty	Description
1	08201135	1	ENGINE, KOHLER TWIN 23 HP
2	03873100	1	HOSE, HYD .38-11-0K M6N0-M6NO
3	03873200	1	PIPE, CAP 3/8 NPT FEMALE
4	04825200	1	MUFFLER, KOHLER
5	05933100	4	SCR, CAP
6	06308600	4	WSHR-LK .31X.078 REG YWZC
7	06916000	1	J-CLAMP
8	07412900	1	SCR-TAP .38-16X.50 HWH TR YWZ
9	07414700	4	SCR-TAP .38-16X1.25 HWH TR YZ
10	06908200	1	CLAMP, CUSHIONED STEEL
11	05947000	1	BOLT, HEX 0.313-18X0.75 GR5
12	06528700	1	NUT, LK-CTR-FLG .31-18 YWZC

ENGINE – KOHLER TWIN 25 HP

Models 991157

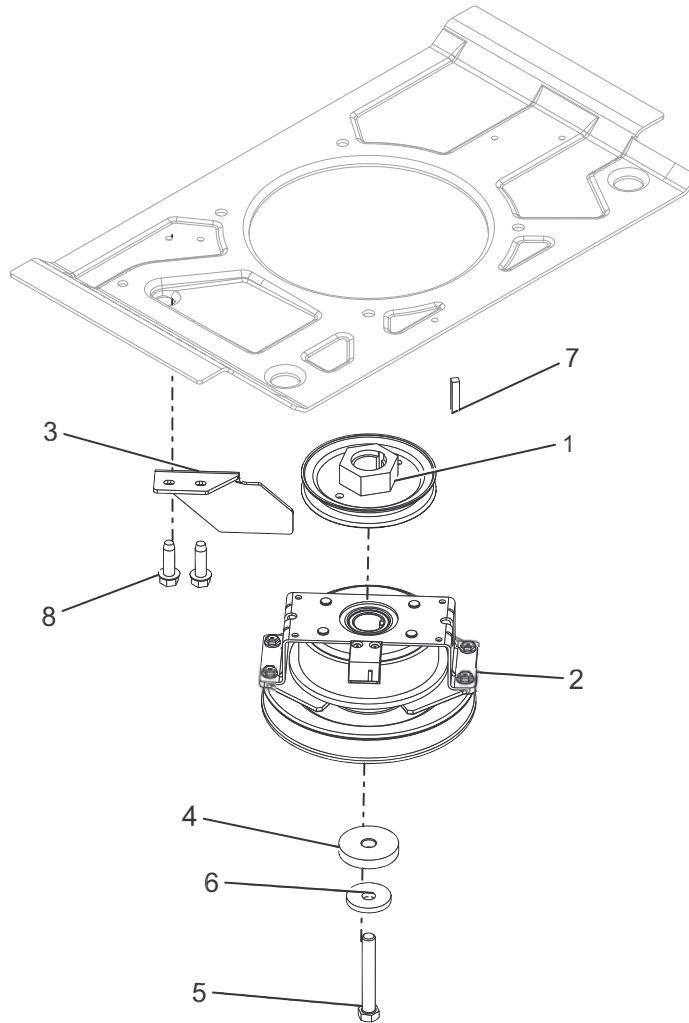
SERVICE PARTS:
 21555300 - AIR FILTER
 21555400 - PRE-AIR FILTER
 21397200 - OIL FILTER
 21545700 - FUEL FILTER
 21562200 - SPARK PLUG
 05600505 - EXHAUST GASKET



BOM ID	Number	Qty	Description
1	03873100	1	HOSE, HYD .38-11-0K M6N0-M6N0
2	03873200	1	PIPE, CAP 3/8 NPT FEMALE
3	04825200	1	MUFFLER, KOHLER
4	05933100	4	SCR, CAP
5	06308600	4	WSHR-LK .31X.078 REG YWZC
6	06908200	1	CLAMP, CUSHIONED STEEL
7	06916000	1	J-CLAMP
8	07412900	1	SCR-TAP .38-16X.50 HWH TR YWZ
9	07414700	4	SCR-TAP .38-16X1.25 HWH TR YZ
10	08201204	1	ENGINE, KOHLER TWIN 25HP
11	05947000	1	BOLT, HEX 0.313-18X0.75 GR5
12	06528700	1	NUT, LK-CTR-FLG .31-18 YWZC

CLUTCH

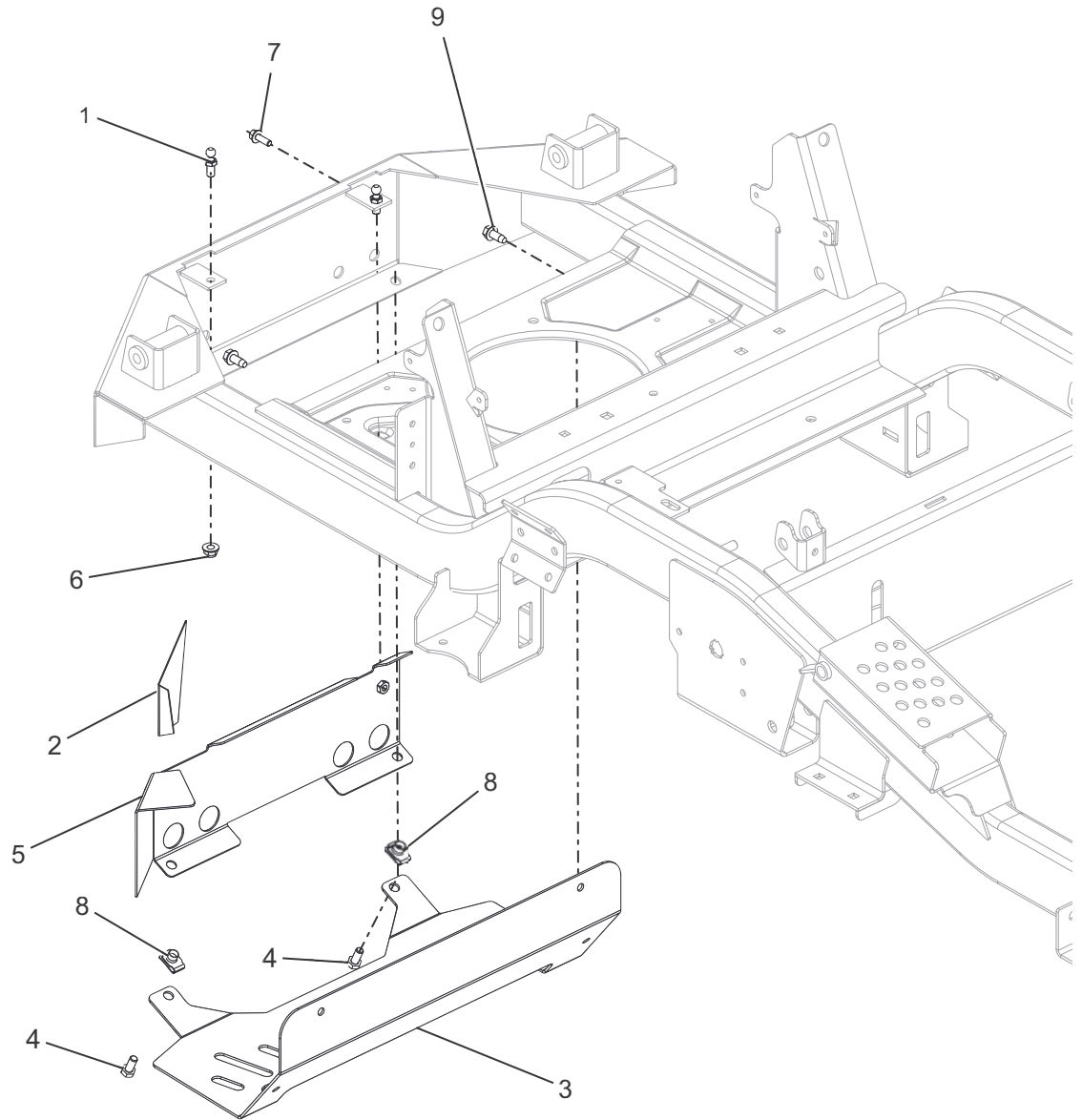
Models All



BOM ID	Number	Qty	Description
1	07346000	1	PULLEY,
2	05118900	1	CLUTCH, OGURA, DBL SPRG
3	05016151	1	BRKT, CLUTCH STOP (HD)
4	05501240	1	SPCR, .474/.459 X 2.00 X .350
5	05901535	1	BLT-HEX .44-20X3.00 GR8 YWZC NYTORQ
6	06400936	1	WSHR, 7/16" SPRING DISC
7	06603400	1	KEY-SQ .250X.250X1.250
8	07414700	2	SCR-TAP .38-16X1.25 HWH TR YZ

HEAT SHIELD

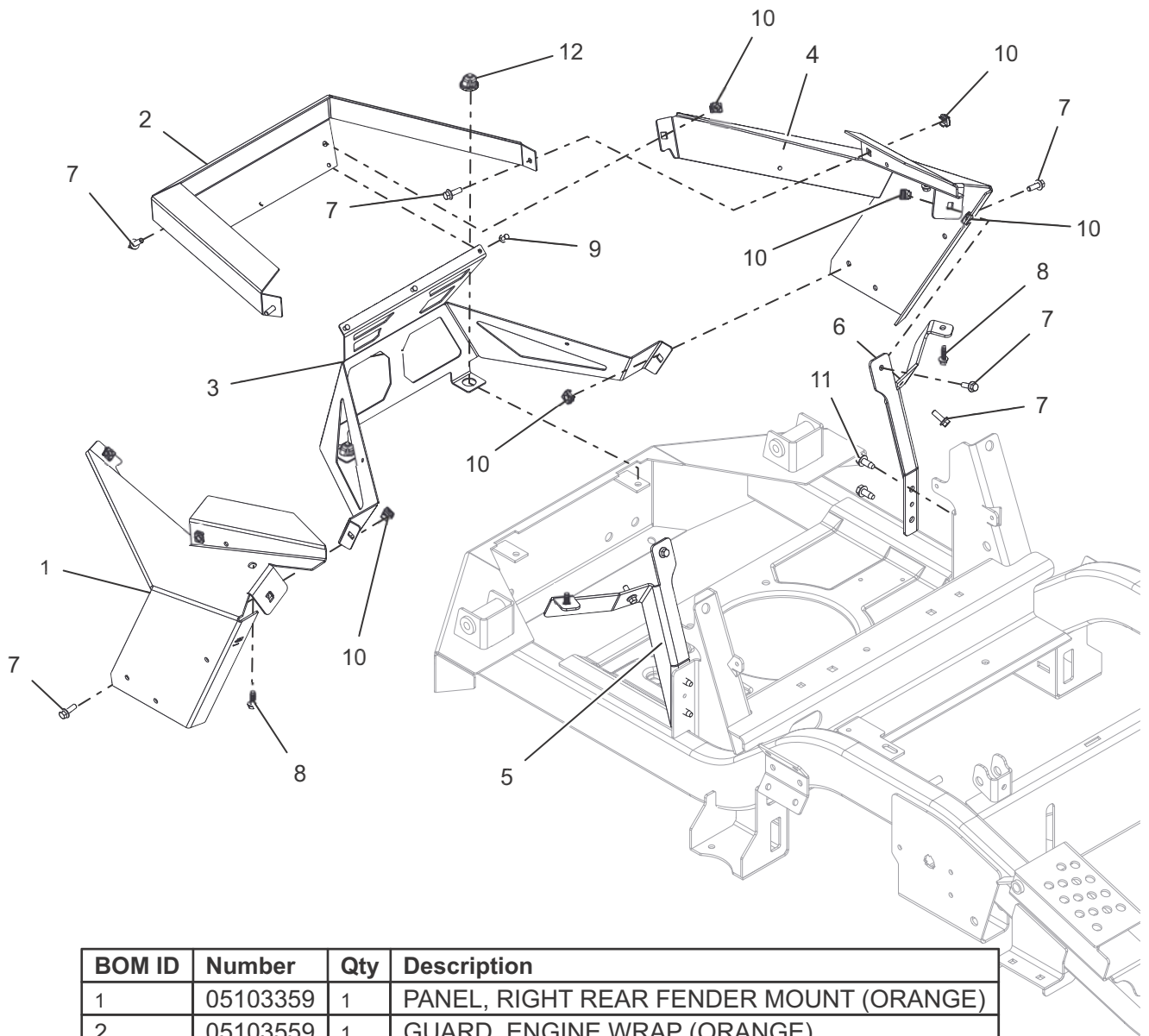
Models All



BOM ID	Number	Qty	Description
1	03652200	2	STUD-BALL
2	05116800	1	TAPE, HEAT
3	05082851	1	SHIELD, HEAT
4	05947000	2	BOLT, HEX 0.313-18X0.75 GR5
5	05116751	1	WLDMT, HEAT BAFFLE (BLACK)
6	06500809	2	NUT, LK-NYL-FLG .31-18 GR5 ZC120
7	05901731	2	BLT, HEX-FLG 0.25-20X0.75 GR5 ZB500
8	07000829	2	NUT-CLIP RETAINER 5/16-18X.56
9	07414400	2	SCR-TAP .31-18X.75 HWH TR YWZ

BUMPER

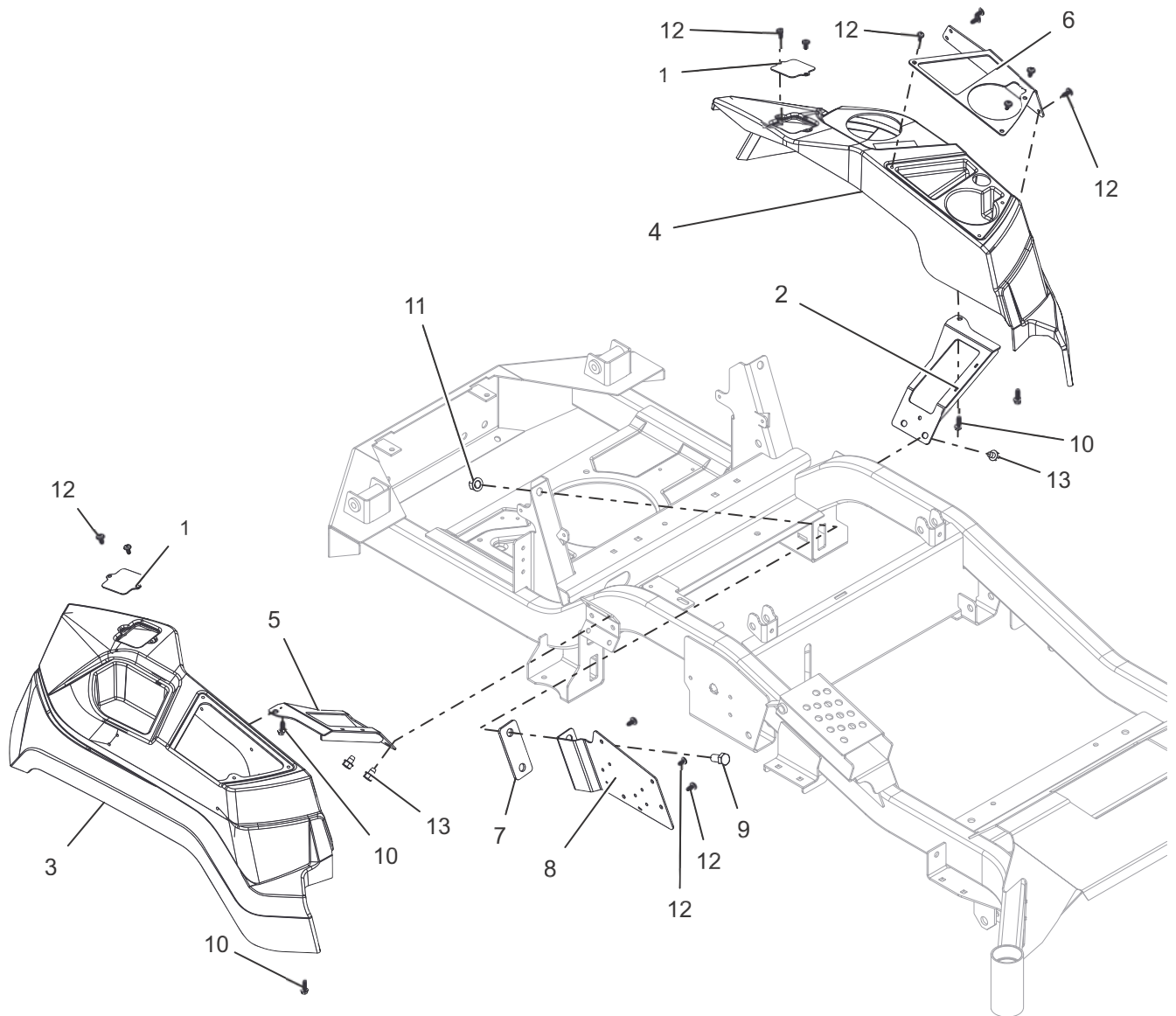
Models All



BOM ID	Number	Qty	Description
1	05103359	1	PANEL, RIGHT REAR FENDER MOUNT (ORANGE)
2	05103559	1	GUARD, ENGINE WRAP (ORANGE)
3	05103651	1	GUARD, ENGINE
4	05119359	1	BRKT, LH REAR FENDER MOUNT (ORANGE)
5	05122359	1	BRKT, RH FENDER MTG (ORANGE)
6	05122459	1	BRKT, LH FENDER MTG (ORANGE)
7	05901731	10	BLT, HEX-FLG 0.25-20X0.75 GR5 ZB500
8	06100213	4	SCR-PLASTITE .25-10X.75 YWZC
9	06800107	3	RVT-POP .187x.375 (#66) BLACK
10	07009300	10	NUT, RETAINER .25-20
11	07414400	4	SCR-TAP .31-18X.75 HWH TR YWZ
12	07500407	2	GROMMET, 10mm BOLLHOFF

FENDERS

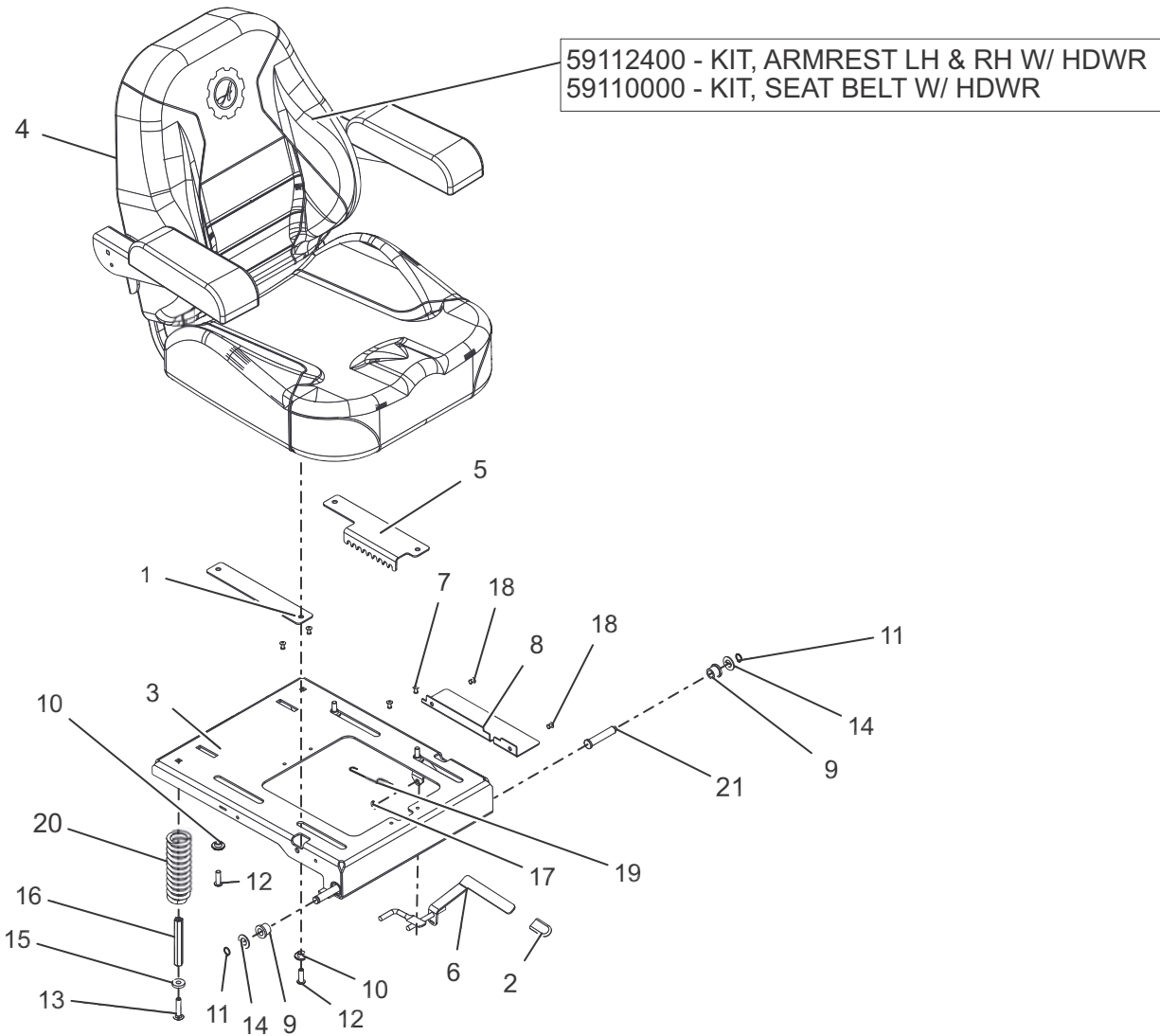
Models All



BOM ID	Number	Qty	Description
1	05078051	2	PLATE, ROPS HOLE- HD (BLACK)
2	05095151	1	WLDMT, LH FENDER MOUNT (BLACK)
3	05100400	1	FENDER, RH APEX
4	05100500	1	FENDER, LH APEX
5	05105151	1	WLDMT, RH FENDER BRACKET (BLACK)
6	05108859	1	PLATE, CUP
7	05117459	1	PLATE, SPCR
8	05126951	1	BRKLT, RELAY
9	05947100	1	BOLT, HEX 0.5-13X1 GR5
10	06100213	4	SCR-PLASTITE .25-10X.75 YWZC
11	06543600	1	NUT, LK-TOP-FLG .50-13 YWZC
12	07400123	13	SCR-TAP .25-15X.50 PLASTITE BLZC
13	07412900	3	SCR-TAP .38-16X.50 HWH TR YWZ

SEAT

Models All



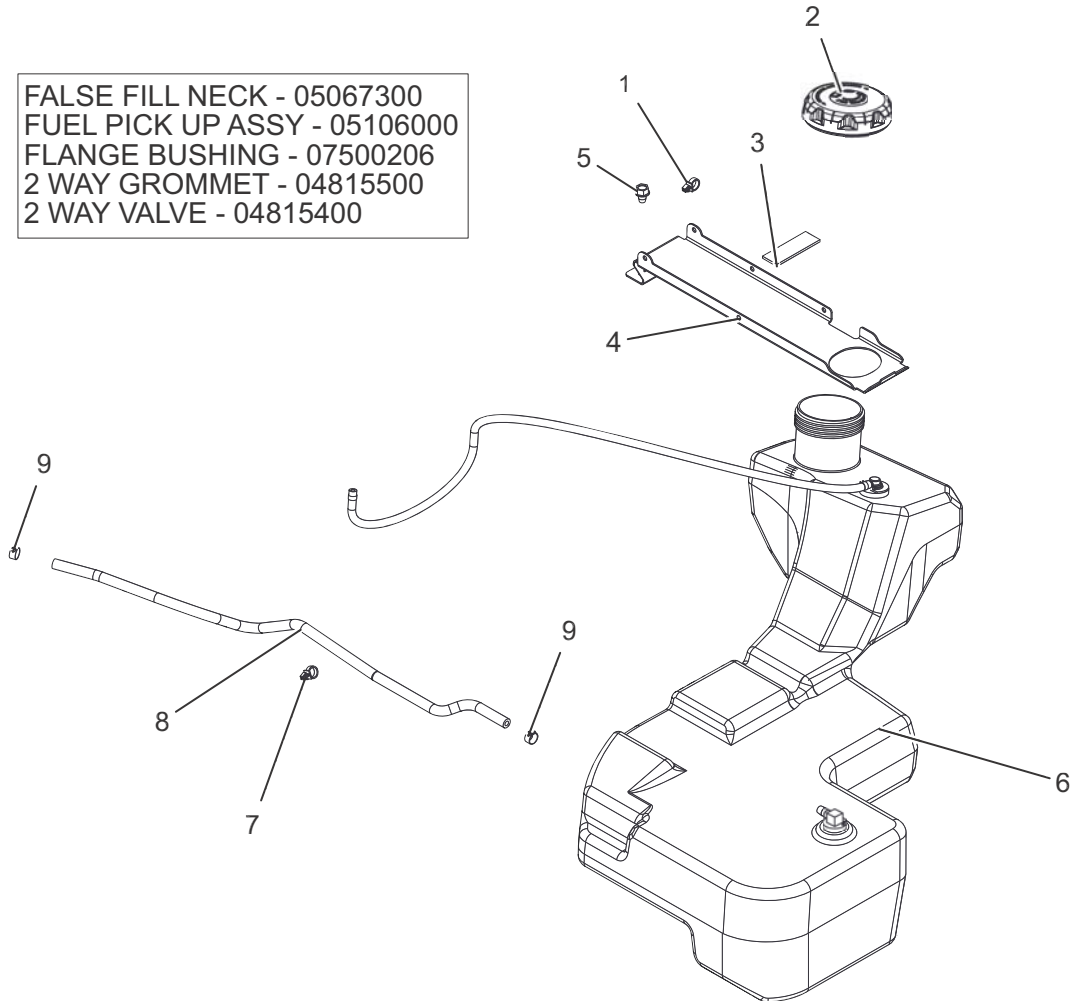
BOM ID	Number	Qty	Description
1	04377051	1	PLATE, ADJUSTABLE SEAT SLIDE
2	04396600	1	GRIP, SEAT LEVER
3	04995659	1	WLDMT, SEAT PLATE (ORANGE)
4	05124700	1	SEAT, APEX
5	05015151	1	PLATE, HD SEAT ADJUSTMENT (BLACK)
6	05015251	1	WLDMT, ADJUSTABLE SEAT LATCH
7	06800107	4	RVT-POP .187x.375 (#66) BLACK
8	05108459	1	GUARD, SEAT
9	05500901	2	BSHG, SHLDR EP .358-16X.30 HEX YZ
10	05514800	4	BSHG, FLG .32X.500.344X.880
11	05717100	2	RG-RTNG-EXT .500x.050

BOM ID	Number	Qty	Description
12	05901508	4	SCR-SKH .31-18X1.00 BTNHD YWZC
13	06212100	2	BOLT, CARRIAGE 0.3125-18X1.5 GR5
14	06425300	2	WSHR-FL-STL .531X1.000X.063 YWZC
15	06439100	2	WSHR-FL-STL .328X.87X.179 YWZC
16	06500828	2	NUT, COUPLING 5/16-18 X 3.75
17	06514900	1	NUT, PUSH .312
18	06800120	2	RVT, POP .187x.250 AL/AL
19	08300022	1	SPRG, EXTENSION
20	08300704	2	SPRING, COMPRESSION
21	06800135	2	PIN, PIVOT -SEAT .50X2.31

FUEL SYSTEM – KAWASAKI

Models 991151

FALSE FILL NECK - 05067300
 FUEL PICK UP ASSY - 05106000
 FLANGE BUSHING - 07500206
 2 WAY GROMMET - 04815500
 2 WAY VALVE - 04815400

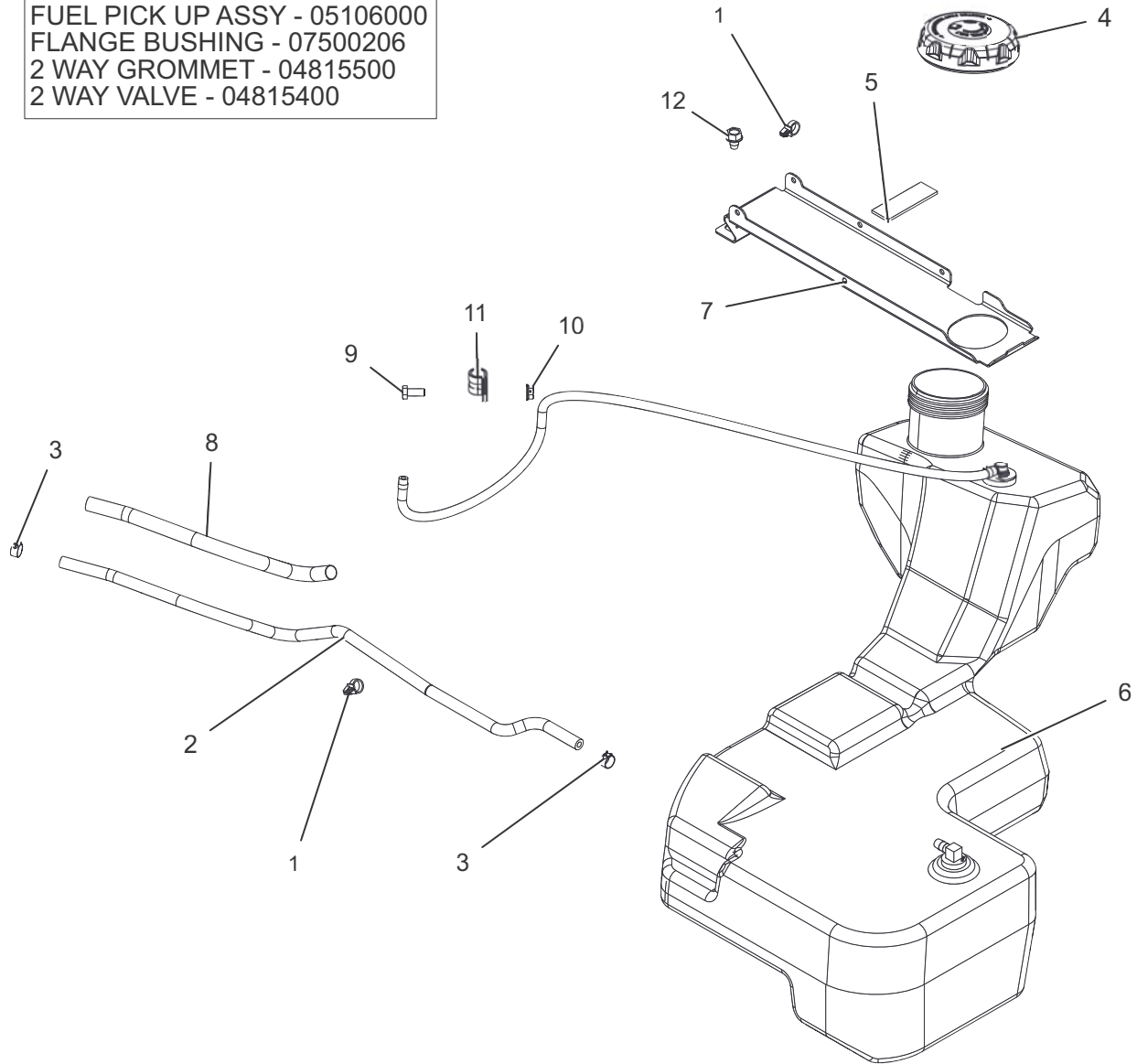


BOM ID	Number	Qty	Description
1	00367900	1	CLIP, ROUTING (.50 ID)
2	04558000	1	CAP, FUEL VENT-IN AUTOLOCK
3	04850000	1	PAD, RBR 1.0"X3.0" W/ADHESIVE
4	05024151	1	BRKT, FUEL
5	07412900	1	SCR-TAP .38-16X.50 HWH TR YWZ
6	05018100	1	ASM, HD FUEL TANK
7	00367900	1	CLIP, ROUTING (.50 ID)
8	03278100	1	HOSE, .25 LOW PERM FUEL
9	03278800	2	CLAMP, FUEL LINE

FUEL SYSTEM – KOHLER

Models 991153, 155, 157

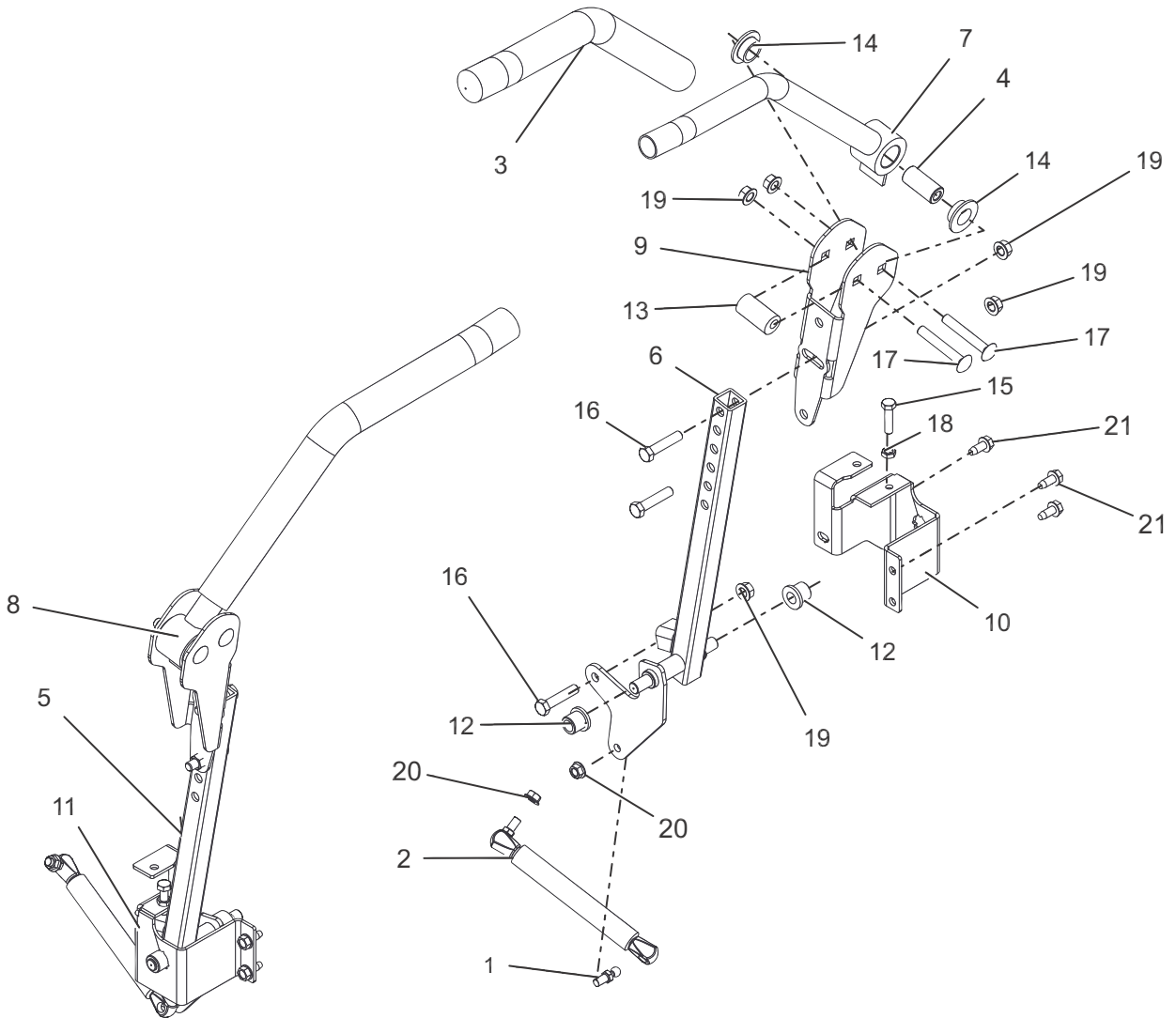
FALSE FILL NECK - 05067300
 FUEL PICK UP ASSY - 05106000
 FLANGE BUSHING - 07500206
 2 WAY GROMMET - 04815500
 2 WAY VALVE - 04815400



BOM ID	Number	Qty	Description
1	00367900	2	CLIP, ROUTING (.50 ID)
2	03278100	1	HOSE, .25 LOW PERM FUEL
3	03278800	2	CLAMP, FUEL LINE
4	04558000	1	CAP, FUEL VENT-IN AUTOLOCK
5	04850000	1	PAD, RBR 1.0"X3.0" W/ADHESIVE
6	05018100	1	ASM, HD FUEL TANK
7	05024151	1	BRKT, FUEL
8	05133700	1	SLEEVE,
9	05947000	1	BOLT, HEX 0.313-18X0.75 GR5
10	06528700	1	NUT, LK-CTR-FLG .31-18 YWZC
11	06908200	1	CLAMP, CUSHIONED STEEL
12	07412900	1	SCR-TAP .38-16X.50 HWH TR YWZ

CONTROLS

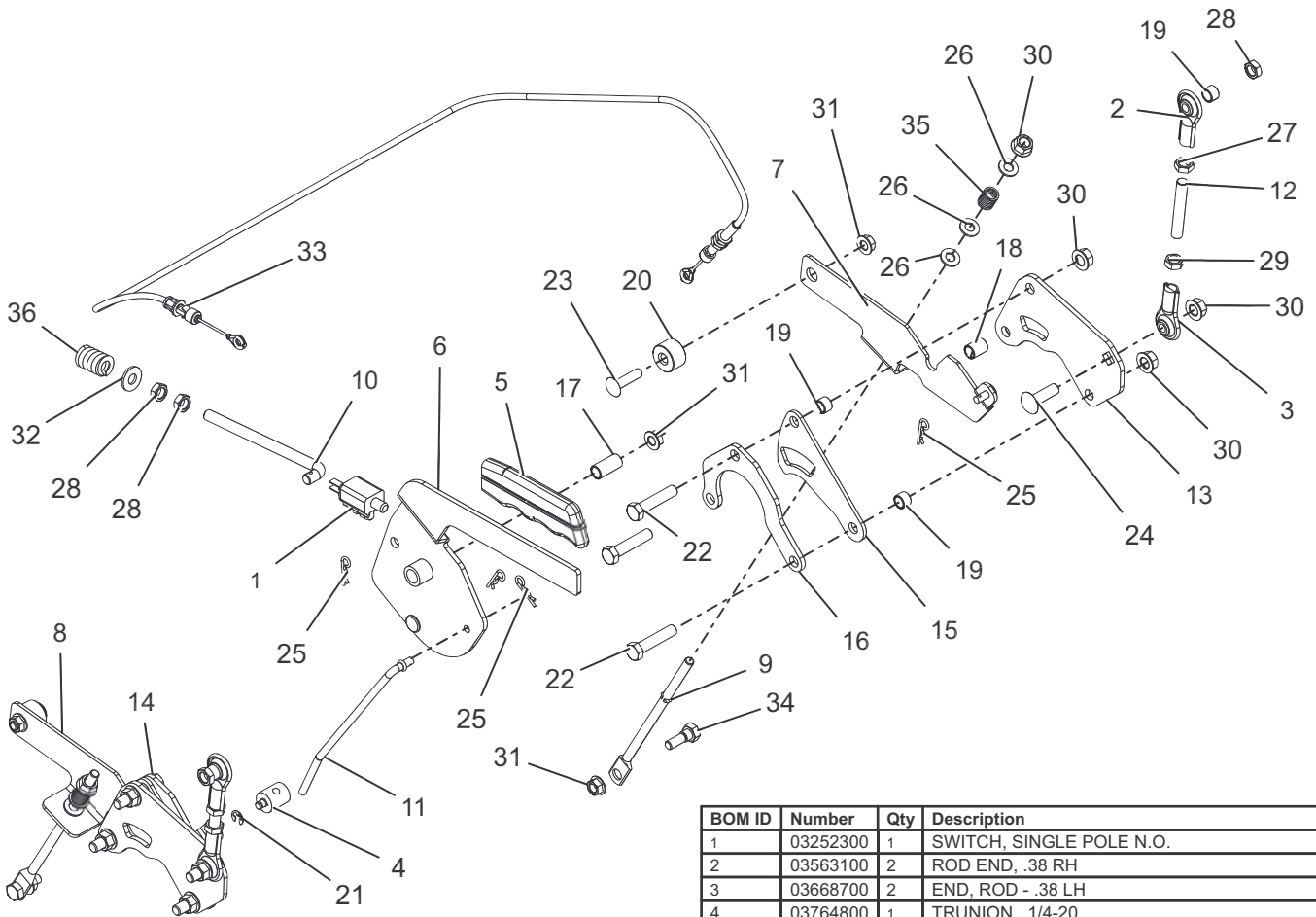
Models All



BOM ID	Number	Qty	Description
1	03652200	4	STUD-BALL
2	03769800	2	DAMPER,
3	04383600	2	GRIP, HANDLEBAR
4	04413600	2	SPCR, STEERING ARM
5	05011851	1	WLDMT, STEERING RH (BLACK)
6	05011951	1	WLDMT, STEERING -LH (BLACK)
7	05068551	1	WLDMT, LH CONTROL HANDLE (BLACK)
8	05068651	1	WLDMT, RH CONTROL HANDLE (BLACK)
9	05068751	2	BRKT, ADJ UPPER CONTROL ARM
10	05120459	1	BRKT, STEERING ARM MOUNTING -LH (ORANGE)
11	05120559	1	BRKT, STEERING ARM MOUNTING-RH (ORANGE)
12	05501001	3	BSHG, FLANGE .500X.750X.750X.125
13	05501223	2	BSHG, ECCENTRIC .328 X .750 X 1.625
14	05525200	4	BSHG, FLANGE .762 X 1.48 X .44 NYLON
15	05947500	2	BOLT, HEX 0.313-18X1.25 GR5
16	05958500	6	BOLT, HEX 0.375-16X1.75 GR5
17	06200213	4	BLT-RHDSSQNK .38-16X2.50 G5YZ
18	06536100	2	NUT, JAM .312-18 YWZC
19	06542000	10	NUT, LK-TOP-FLG .38-16 YWZC
20	06543100	4	NUT, LK-TOP-FLG .312-18 YWZC
21	07414400	6	SCR-TAP .31-18X.75 HWH TR YWZ

PARKING BRAKE

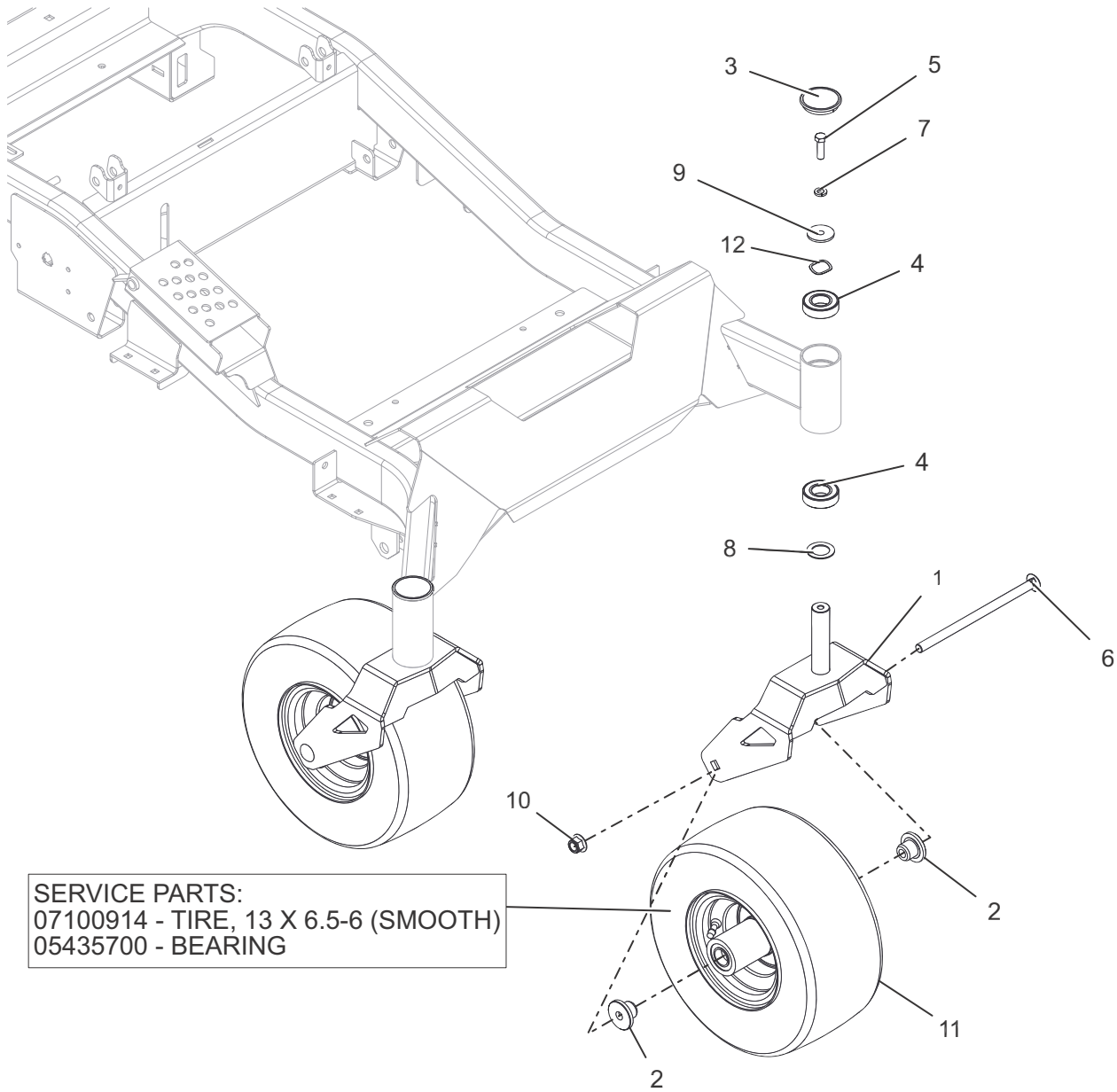
Models All



BOM ID	Number	Qty	Description
1	03252300	1	SWITCH, SINGLE POLE N.O.
2	03563100	2	ROD END, .38 RH
3	03668700	2	END, ROD - .38 LH
4	03764800	1	TRUNION, 1/4-20
5	03826900	1	GRIP, PARKING BRAKE (YELLOW)
6	04998551	1	HANDLE, PARKING BRAKE - WLDMT (BLACK)
7	04998600	1	ARM, BRAKE
8	04998700	1	ARM, BRAKE - RH
9	04999000	2	ROD, LINK
10	04999100	1	ROD, OVER
11	05000600	1	ROD, BRAKE LINK
12	05001000	2	ROD, STEERING LINK
13	05019951	2	BRKT, STEERING - TRANSAXLE (BLACK)
14	05067700	1	BRKT, SPCR
15	05067751	1	BRKT, SPCR (BLACK)
16	05104951	2	PLATE, BACK
17	05500106	1	BSHG, SLV .385 X .500 X 1.045
18	05501226	2	SPCR, .385X.500X.652
19	05501235	8	SPCR, .385X.500X.350
20	05501315	2	SPCR, FLANGE
21	05700125	1	RING, RETAINING-E .25X.025
22	05958500	6	BOLT, HEX 0.375-16X1.75 GR5
23	06200008	2	BLT-RDHDSQSHNK .31-18X1.25 G5YWZC
24	06222200	2	BLT-RHDSSQNK .38-16X1.25 G5YZ
25	06713500	4	PIN, HAIR INT .08X.18X1.18 YWZC
26	06437200	6	WSHR-FL-STL.344X.688X.065YWZC
27	06534700	2	NUT-JAM .375-24 YWZC
28	06535900	4	NUT, JAM .375-16 YWZC
29	06537400	2	NUT-JAM .375-24 LH YWZC
30	06542000	10	NUT, LK-TOP-FLG .38-16 YWZC
31	06543100	5	NUT, LK-TOP-FLG .312-18 YWZC
32	06435700	1	WSHR-FL-STL.38X.875X.083 YWZC
33	06900640	1	CABLE, BRAKE
34	07001734	2	BLT, SHLDR .38X.25 -.31-18X.75THD
35	08300028	2	SPRG, COMPRESSION
36	08320900	1	SPRG, COMPRESSION

FRONT CASTER WHEELS

Models All

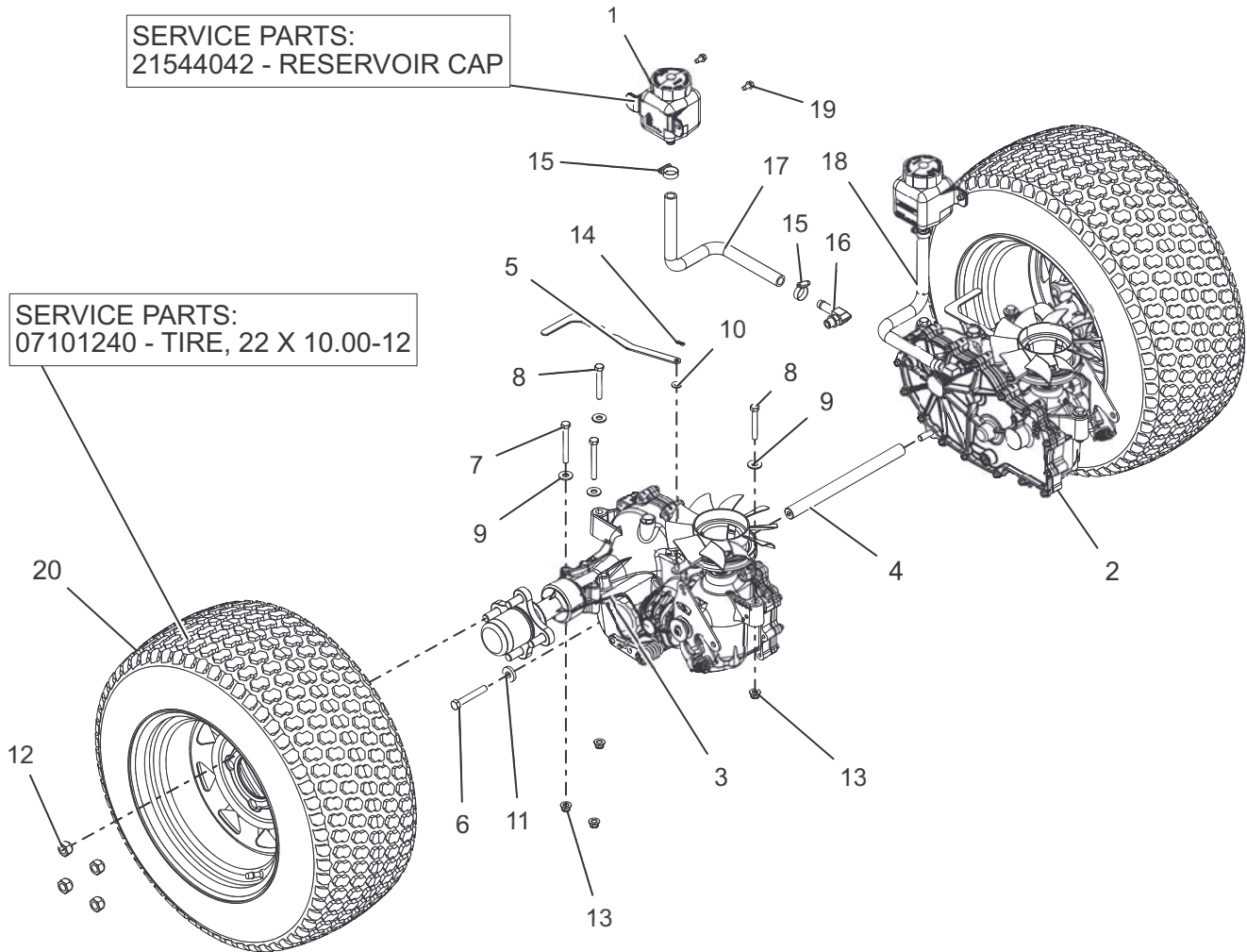


SERVICE PARTS:
 07100914 - TIRE, 13 X 6.5-6 (SMOOTH)
 05435700 - BEARING

BOM ID	Number	Qty	Description
1	04999659	2	WLDMT, HD CASTER FORK
2	00675300	4	SPACER, FRONT WHEEL
3	04792200	2	CAP, DUST
4	05400722	4	BRG-BALL 1.00X2.00X.56
5	05958000	2	BOLT, HEX 0.375-16X1.25 GR5
6	06200134	2	BOLT, CARRIAGE 0.5-13X9 GR5
7	06306500	2	WSHR-LK .38X.115 HVY YWZC
8	06416600	2	WSHR, HRD THRS 1.007X1.542X.062
9	06443400	2	WSHR-FL-STL .380X1.50X.125 YWZC
10	06500010	2	NUT-LK-NYL-FLG .50-13 YWZC
11	07101226	2	ASSM TIREWHEEL, 13 X 6.50-6
12	06401030	2	WASHER, WAVE

REAR TIRES AND TRANSAXLES – 48"

Models 99153



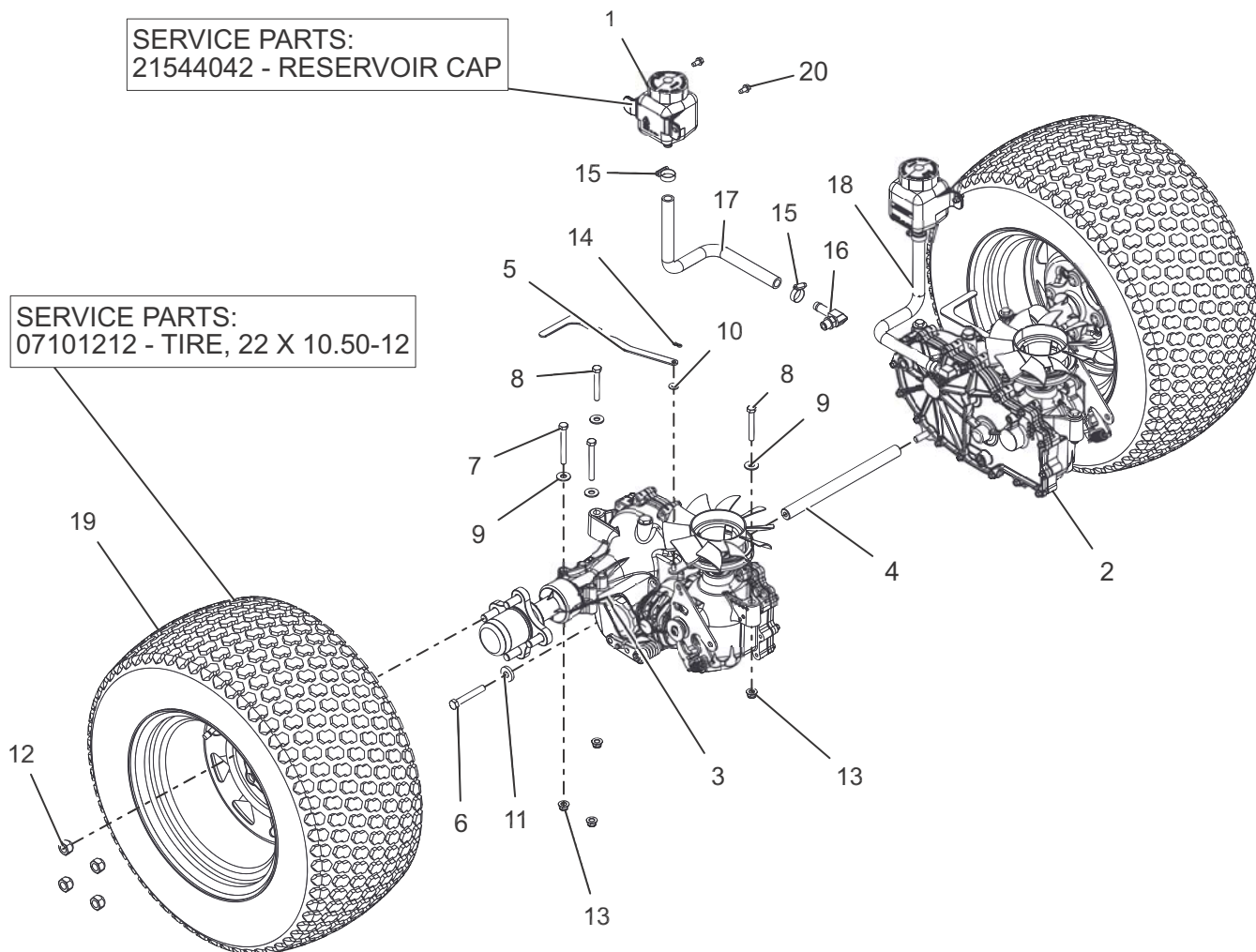
SERVICE PARTS:
21544042 - RESERVOIR CAP

SERVICE PARTS:
07101240 - TIRE, 22 X 10.00-12

BOM ID	Number	Qty	Description
1	02970200	2	TANK, EXPANSION ZT2800
2	05002900	1	TRANSAXLE, HYDROGEAR - ZT3100 LH
3	05003000	1	TRANSAXLE, HYDROGEAR - ZT3100 RH
4	05012900	1	SHAFT, TRANSAXLE
5	05076751	2	BRKT, VALVE DUMP
6	05958400	2	BOLT, HEX 0.375-16X2.5 GR5
7	05960600	4	BOLT, HEX 0.313-18X2.75 GR5
8	05963700	4	BOLT, HEX 0.313-18X2.25 GR5
9	06435700	8	WSHR-FL-STL.38X.875X.083 YWZC
10	06437300	2	WSHR-FL-STL.281X.62X.065 YWZC
11	06444000	2	WSHR-FL-STL .406X1.00X.188 YWZC
12	06517600	8	NUT, LUG .500-20
13	06545400	8	NUT-LK-NYL-FLG .31-18 YWZC
14	06714800	2	PIN-HAIR, ENDRIES #25 YWZC
15	06923500	4	CLAMP, .88 DIA HOSE
16	07001528	2	FITTING, HYD (90 DEG)
17	07001803	1	HOSE, EXPANSION - HD RH
18	07001804	1	HOSE, EXPANSION TANK -HD LH
19	07400034	4	SCR-TAP .25-20X.50 HWH TR YWZ
20	07101224	2	ASSM TIREWHEEL, 22 X 10.00 - 12

REAR TIRES AND TRANSAXLES – 52"

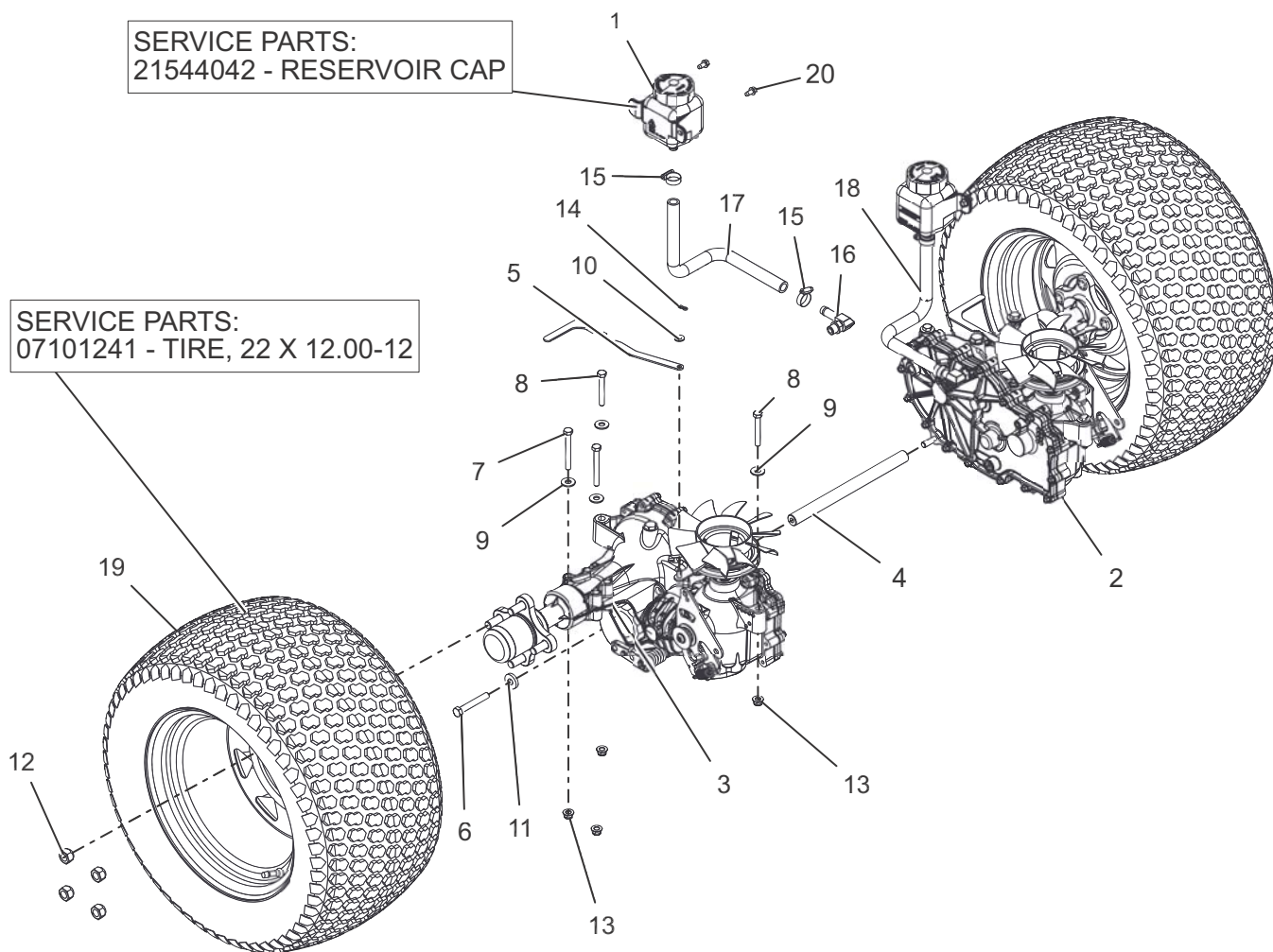
Model 991155



BOM ID	Number	Qty	Description
1	02970200	2	TANK, EXPANSION ZT2800
2	05002900	1	TRANSAXLE, HYDROGEAR - ZT3100 LH
3	05003000	1	TRANSAXLE, HYDROGEAR - ZT3100 RH
4	05012900	1	SHAFT, TRANSAXLE
5	05076751	2	BRKT, VALVE DUMP
6	05958400	2	BOLT, HEX 0.375-16X2.5 GR5
7	05960600	4	BOLT, HEX 0.313-18X2.75 GR5
8	05963700	4	BOLT, HEX 0.313-18X2.25 GR5
9	06435700	8	WSHR-FL-STL.38X.875X.083 YWZC
10	06437300	2	WSHR-FL-STL.281X.62X.065 YWZC
11	06444000	2	WSHR-FL-STL .406X1.00X.188 YWZC
12	06517600	8	NUT, LUG .500-20
13	06545400	8	NUT-LK-NYL-FLG .31-18 YWZC
14	06714800	2	PIN-HAIR, ENDRIES #25 YWZC
15	06923500	4	CLAMP, .88 DIA HOSE
16	07001528	2	FITTING, HYD (90 DEG)
17	07001803	1	HOSE, EXPANSION - HD RH
18	07001804	1	HOSE, EXPANSION TANK -HD LH
19	07101211	2	ASSM TIREWHEEL, 22 X 10.50 - 12
20	07400034	4	SCR-TAP .25-20X.50 HWH TR YWZ

REAR TIRES AND TRANSAXLES – 60"

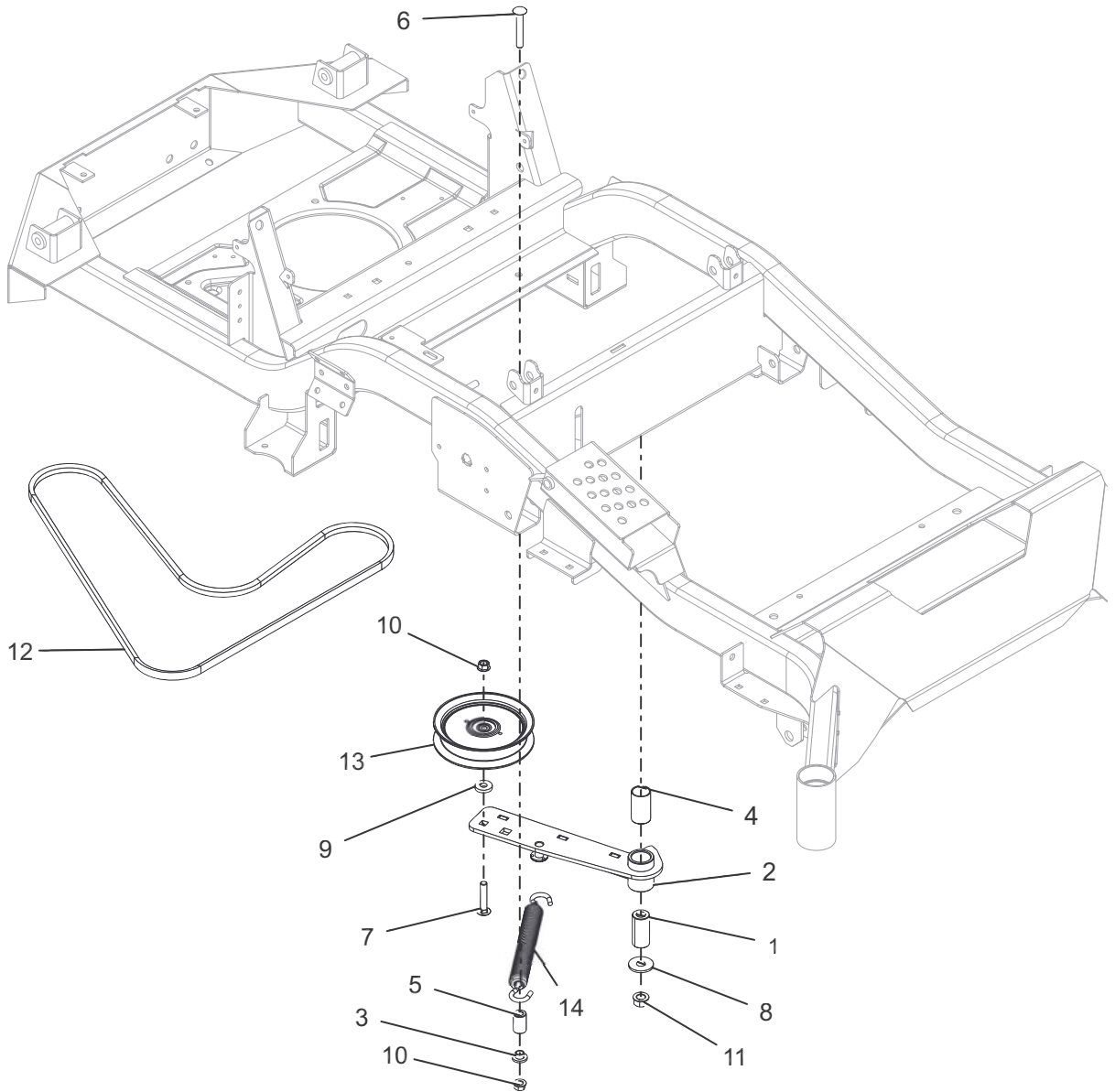
Models 991151, 157



BOM ID	Number	Qty	Description
1	02970200	2	TANK, EXPANSION ZT2800
2	05002900	1	TRANSAXLE, HYDROGEAR - ZT3100 LH
3	05003000	1	TRANSAXLE, HYDROGEAR - ZT3100 RH
4	05012900	1	SHAFT, TRANSAXLE
5	05076751	2	BRKT, VALVE DUMP
6	05958400	2	BOLT, HEX 0.375-16X2.5 GR5
7	05960600	4	BOLT, HEX 0.313-18X2.75 GR5
8	05963700	4	BOLT, HEX 0.313-18X2.25 GR5
9	06435700	8	WSHR-FL-STL.38X.875X.083 YWZC
10	06437300	2	WSHR-FL-STL.281X.62X.065 YWZC
11	06444000	2	WSHR-FL-STL .406X1.00X.188 YWZC
12	06517600	8	NUT, LUG .500-20
13	06545400	8	NUT-LK-NYL-FLG .31-18 YWZC
14	06714800	2	PIN-HAIR, ENDRIES #25 YWZC
15	06923500	4	CLAMP, .88 DIA HOSE
16	07001528	2	FITTING, HYD (90 DEG)
17	07001803	1	HOSE, EXPANSION - HD RH
18	07001804	1	HOSE, EXPANSION TANK -HD LH
19	07101227	2	ASSM TIRE/WHEEL, 22 X 12.00 - 12
20	07400034	4	SCR-TAP .25-20X.50 HWH TR YWZ

TRANSAXLE DRIVE

Models All

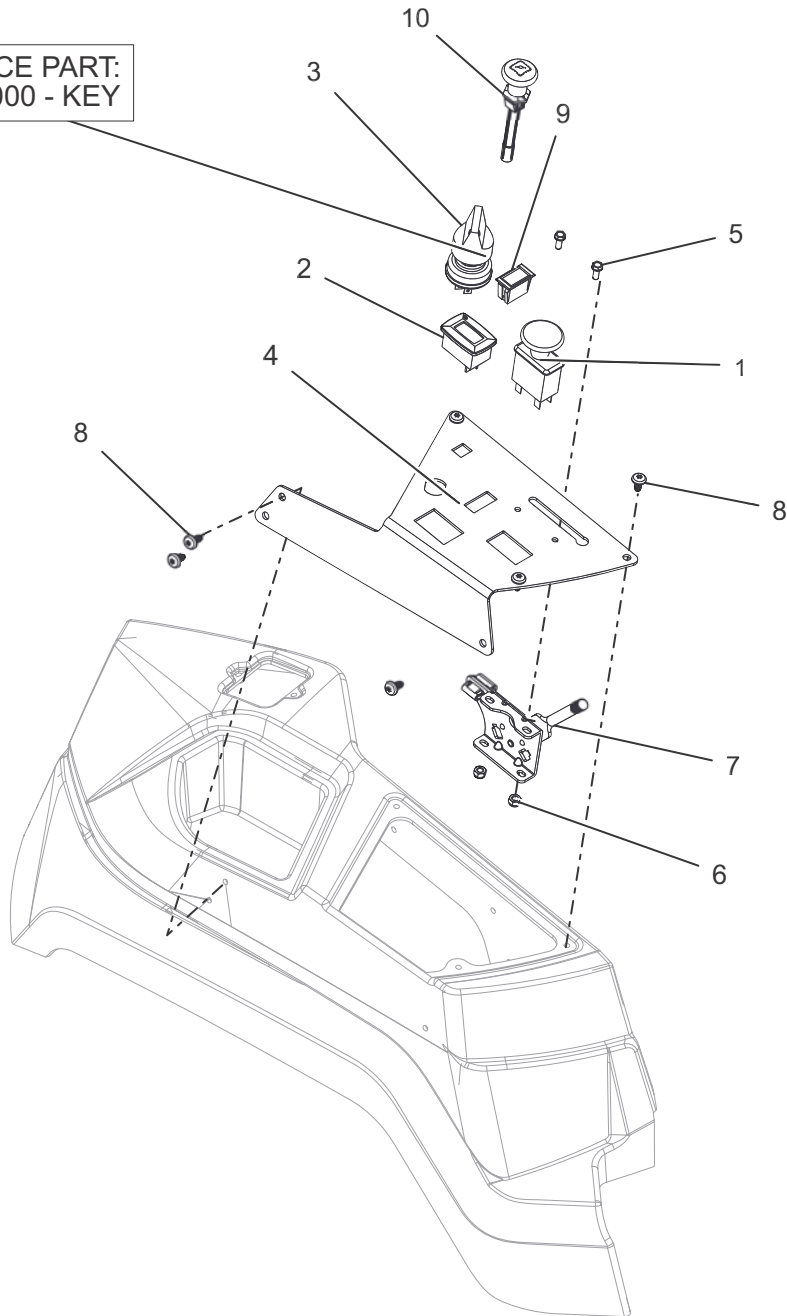


BOM ID	Number	Qty	Description
1	01581700	1	BSHG, SPCR .502X.997X2.03
2	05007951	1	WLDMT, HYDRO DRIVE IDLER ARM (BLACK)
3	05500435	1	BSHG, FLG .385 X .500 X .875 X .406
4	05501234	1	BSHG, 1.00x1.125x1.9375
5	05501308	1	BUSHING, SLV .380 X .750 X 1.190
6	06200213	1	BLT-RHDSSQNK .38-16X2.50 G5YZ
7	06224300	1	BOLT, CARRIAGE 0.375-16X2 GR5
8	06436400	1	WSHR-FL-STL .511X1.441x.125 YWZC
9	06444000	1	WSHR-FL-STL .406X1.00X.188 YWZC
10	06542000	2	NUT, LK-TOP-FLG .38-16 YWZC
11	06543600	1	NUT, LK-TOP-FLG .50-13 YWZC
12	07225600	1	V-BELT,
13	07345600	1	IDLER, FLAT
14	08300711	1	SPRG, EXTENSION

CONTROL PANEL

Model All

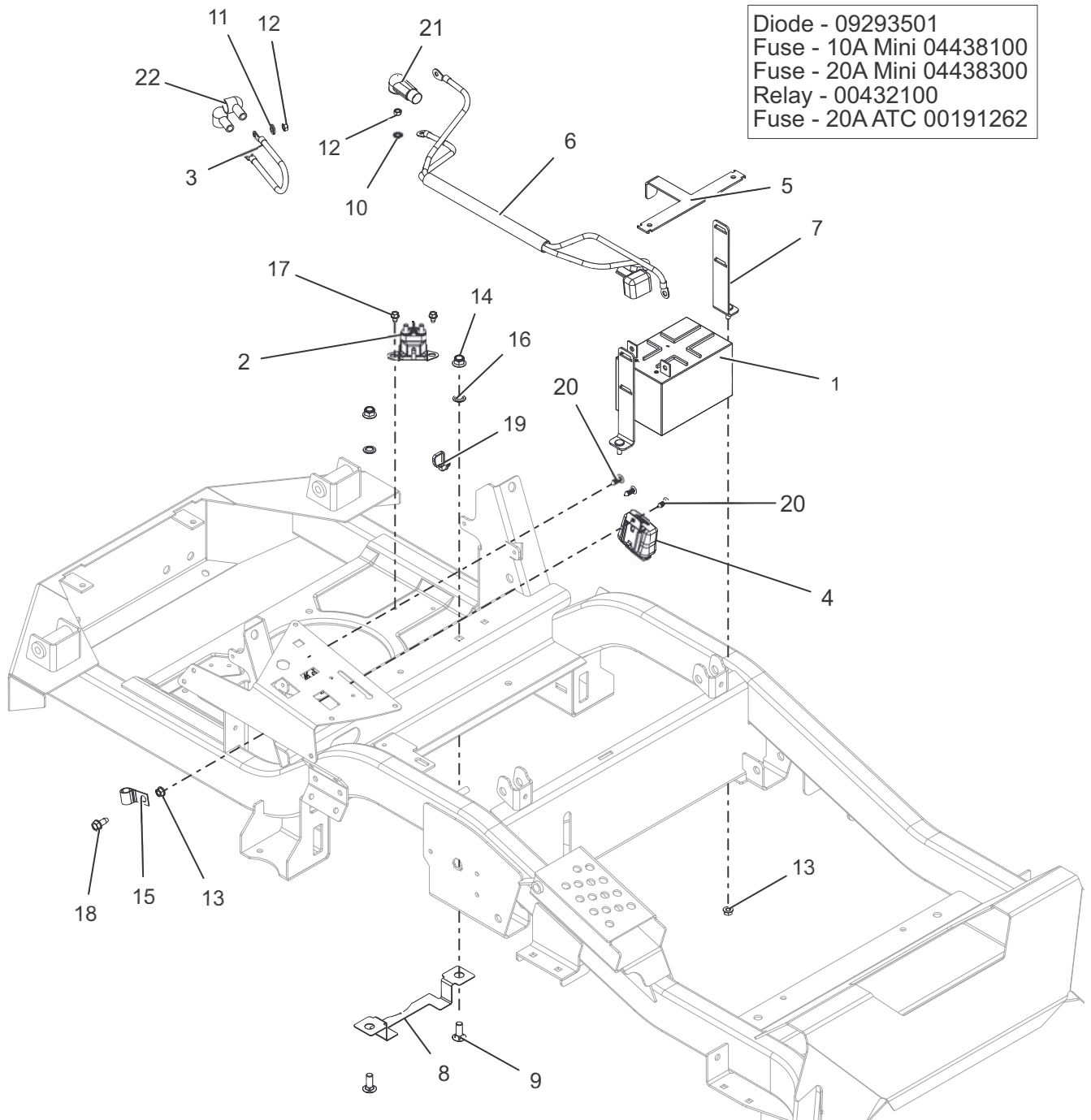
SERVICE PART:
09287000 - KEY



BOM ID	Number	Qty	Description
1	01545600	1	SWITCH, CLUTCH
2	03966800	1	METER, HOUR W/MAINTENANCE
3	04331700	1	SWITCH, IGNITION
4	05108759	1	PLATE, APEX CONTROL PANEL (ORANGE)
5	06116700	2	@SCR-MCH 10-24X.50 HWH YWZC
6	06536000	2	NUT-LK-NYL #10-24 YWZC
7	06900619	1	CABLE, PRO THROTTLE CONTROL
8	07400123	6	SCR-TAP .25-15X.50 PLASTITE BLZC
9	09003300	1	SWITCH, BLANK
10	06900621	1	CABLE, CHOKE

ELECTRICAL

Models All



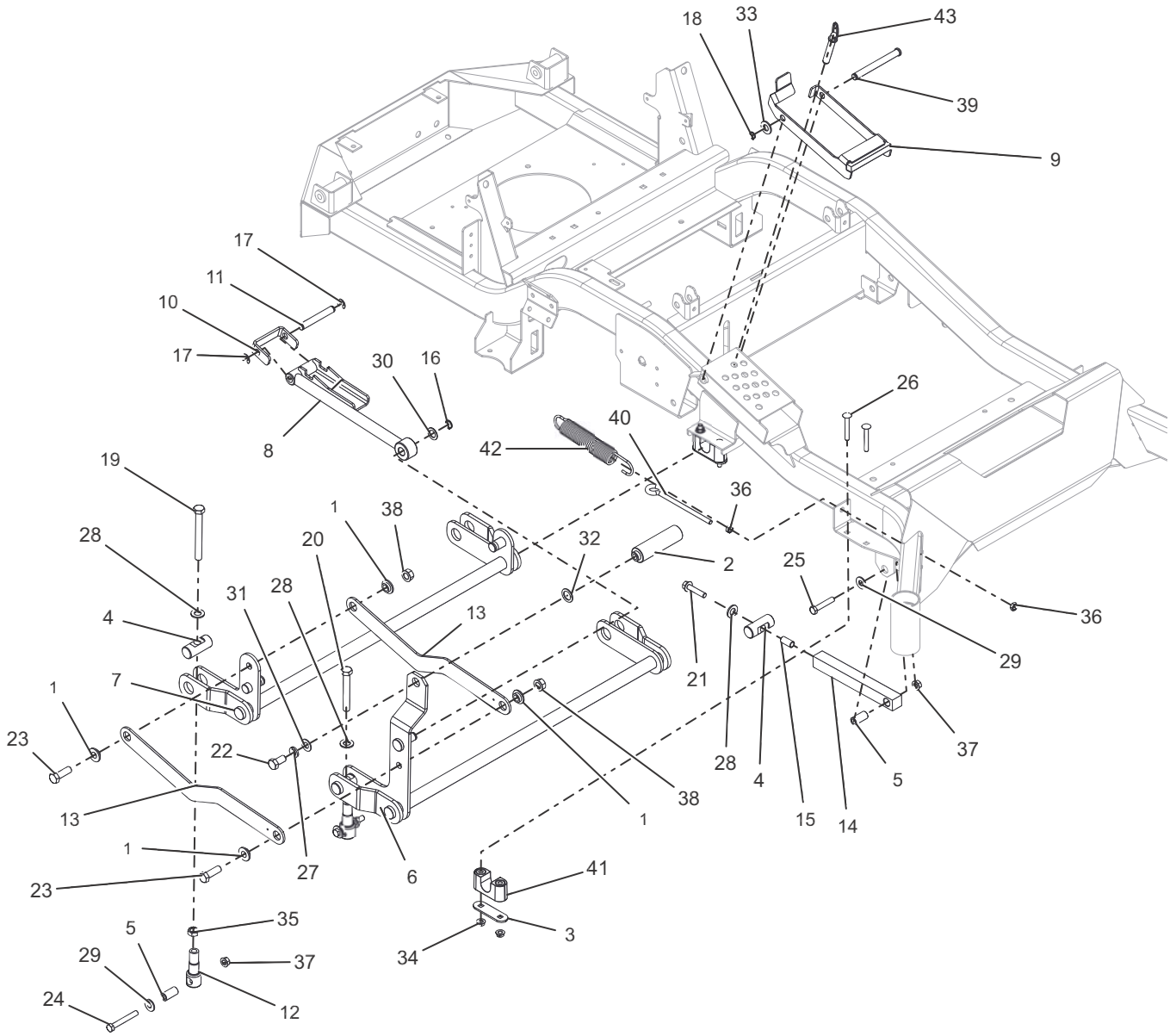
Diode - 09293501
 Fuse - 10A Mini 04438100
 Fuse - 20A Mini 04438300
 Relay - 00432100
 Fuse - 20A ATC 00191262

BOM ID	Number	Qty	Description
1	04738800	1	BATTERY, 12V 12A -190CCA
2	04781700	1	SOLENOID, STARTER (SEALED)
3	04783300	1	CABLE, POS W/(2) 1/4 RING 9.0 LG
4	05011700	1	HARNESS, WIRE -2017 HD
5	05031551	1	BRKT, BATTERY
6	05074100	1	HARNESS, BATTERY
7	05107451	2	WLDMT, MOUNT HOLD DOWN (BLACK)
8	05111451	1	GUARD, ELEC HARNESS (BLACK)
9	06223600	2	BOLT, CARRIAGE 0.375-16X1 GR5
10	06306800	2	@, WSHR-LK-EXT.262X.502X.026 YWZC
11	06308600	1	WSHR-LK .31X.078 REG YWZC
12	06539800	3	NUT-HEX M6-1.00 YWZC

BOM ID	Number	Qty	Description
13	06543500	2	NUT, LK-TOP-FLG .25-20 YWZC
14	06545500	2	NUT-LK-NYL-FLG .38-16 YWZC
15	06916000	1	J-CLAMP
16	07009900	2	NUT, PUSH .38 DIA. PAL ZINC
17	07411600	2	SCR-TAP .25-20X.37 HWH YWZ TR
18	07414400	1	SCR-TAP .31-18X.75 HWH TR YWZ
19	07500040	1	CABLE, TIE W/TREE (.25 HOLE)
20	07500125	3	RIVET, .25 NYLON PANEL
21	07500401	1	BOOT, .65 ID POS
22	07533200	2	BOOT, EYELET TERMINAL

DECK LIFT – RH

Models All

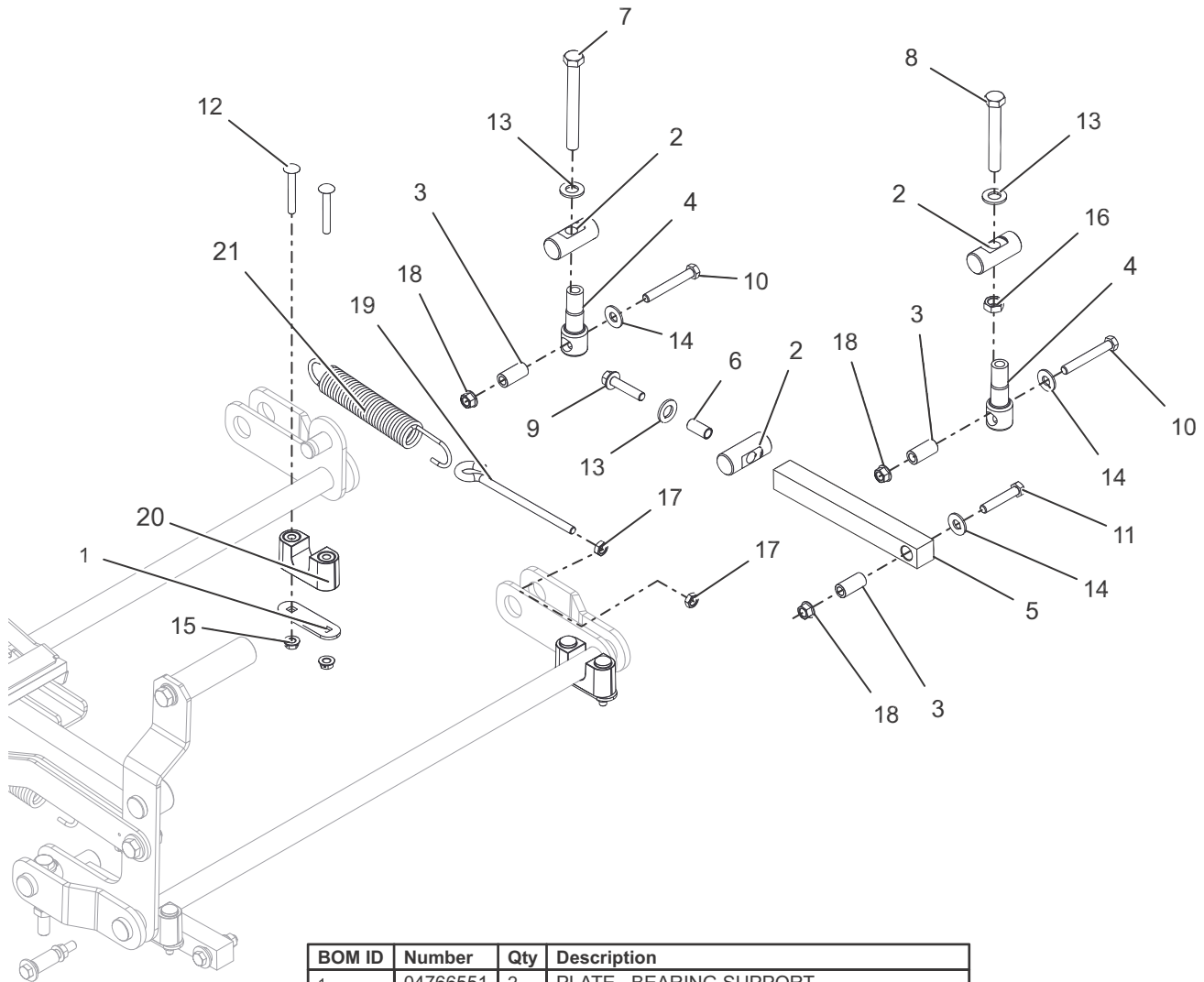


BOM ID	Number	Qty	Description
1	03989100	4	BSHG, FLANGE .515X.750X.31X1.12
2	04373300	1	PEDAL, LIFT
3	04766551	2	PLATE, BEARING SUPPORT
4	04877700	3	PIN, DECK LIFT
5	04895200	3	SPCR, DECK LEVELING
6	05019659	1	WLDMT, FRONT DECK LIFT PIVOT (ORANGE)
7	05019759	1	WLDMT, REAR DECK LIFT PIVOT (ORANGE)
8	05022059	1	WLDMT, HOC LIFT ARM (ORANGE)
9	05025259	1	WLDMT, HOC TRANSFER LOCK (ORANGE)
10	05077551	1	BRKT, HOC LINE (BLACK)
11	05077700	1	ROD, HOC PIVOT
12	05081400	2	LINK, DECK LIFT, FORMED
13	05083959	2	LINK, DECK
14	05090400	2	LINK, DRAG
15	05500106	1	BSHG, SLV .385 X .500 X 1.045
16	05709200	1	RG-RTNG-EXT .625x.050
17	05710200	2	RING, RETAINING-E .500X.042
18	05717100	1	RG-RTNG-EXT .500x.050
19	05900102	1	BOLT, HEX 0.5-13X4.5 GR8
20	05901336	1	BOLT, HEX 0.5-13X3.5 GR5
21	05901719	1	BLT, HEX-FLG 0.375-16X1.75 GR5 ZC120
22	05947100	1	BOLT, HEX 0.5-13X1 GR5

BOM ID	Number	Qty	Description
23	05962000	2	BOLT, HEX 0.5-13X1.5 GR5
24	05963000	2	BOLT, HEX 0.375-16X2.75 GR8
25	05963300	1	BOLT, HEX 0.375-16X2 GR5
26	06200226	4	BLT-RDHDSQSHNK .31-18X2.25 YWZC
27	06307300	1	WSHR-LK .50X.125 REG YWZC
28	06400418	3	WSHR-FL-STL .557X1.040X.102 YWZC HARD
29	06435900	3	WSHR-FL-STL.438X1.00X.083 YWZC
30	06436100	1	WSHR-FL-STL .630X1.005X.062 YWZC
31	06439200	1	WSHR-FL-STL .505X1.00X.062 YWZC
32	06441400	1	WSHR-FL-STL .754X1.125X.062 YWZC
33	06441900	1	WSHR-FL-STL.531X1.06X.095YWZC
34	06528700	4	NUT, LK-CTR-FLG .31-18 YWZC
35	06529300	2	NUT, JAM .500-13 YWZC
36	06535900	2	NUT, JAM .375-16 YWZC
37	06542000	3	NUT, LK-TOP-FLG .38-16 YWZC
38	06543600	2	NUT, LK-TOP-FLG .50-13 YWZC
39	06800132	1	PIN, CLEVIS
40	07001814	1	BOLT, .38-16X5.25-.62 DIA EYE
41	07500414	2	ASM, BSHG
42	08319000	1	SPRG, TENSION .162 X 1.250 X 8.250
43	06800136	1	PIN, .500 x 2.200 USABLE LG BALL

DECK LIFT – LH

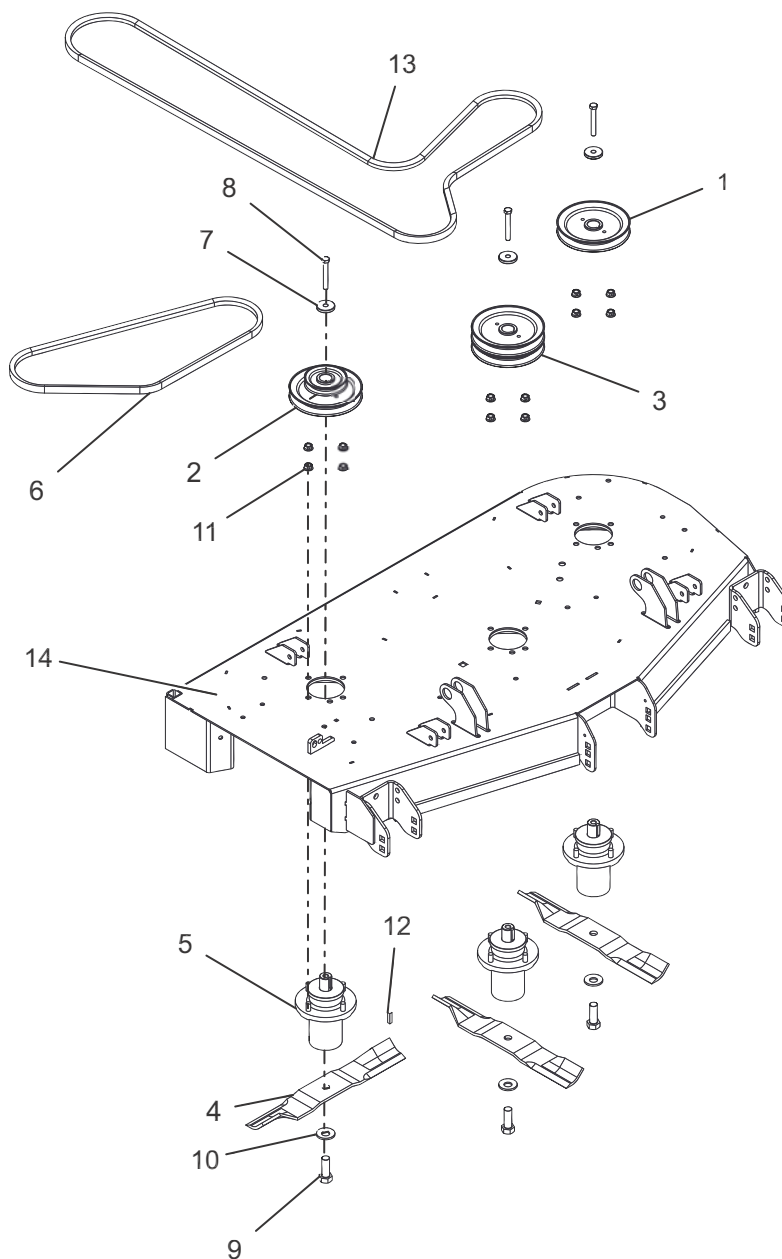
Models All



BOM ID	Number	Qty	Description
1	04766551	2	PLATE, BEARING SUPPORT
2	04877700	3	PIN, DECK LIFT
3	04895200	3	SPCR, DECK LEVELING
4	05081400	2	LINK, DECK LIFT, FORMED
5	05090400	1	LINK, DRAG
6	05500106	1	BSHG, SLV .385 X .500 X 1.045
7	05900102	1	BOLT, HEX 0.5-13X4.5 GR8
8	05901336	1	BOLT, HEX 0.5-13X3.5 GR5
9	05901719	1	BLT, HEX-FLG 0.375-16X1.75 GR5 ZC120
10	05963000	2	BOLT, HEX 0.375-16X2.75 GR8
11	05963300	1	BOLT, HEX 0.375-16X2 GR5
12	06200226	4	BLT-RDHDQSHPK .31-18X2.25 YWZC
13	06400418	3	WSHR-FL-STL .557X1.040X.102 YWZC HARD
14	06435900	3	WSHR-FL-STL.438X1.00X.083 YWZC
15	06528700	4	NUT, LK-CTR-FLG .31-18 YWZC
16	06529300	1	NUT, JAM .500-13 YWZC
17	06535900	2	NUT, JAM .375-16 YWZC
18	06542000	3	NUT, LK-TOP-FLG .38-16 YWZC
19	07001814	1	BOLT, .38-16X5.25-.62 DIA EYE
20	07500414	2	ASM, BSHG
21	08319000	1	SPRG, TENSION .162 X 1.250 X 8.250

DECK, BELT, BLADES AND SPINDLES – 48"

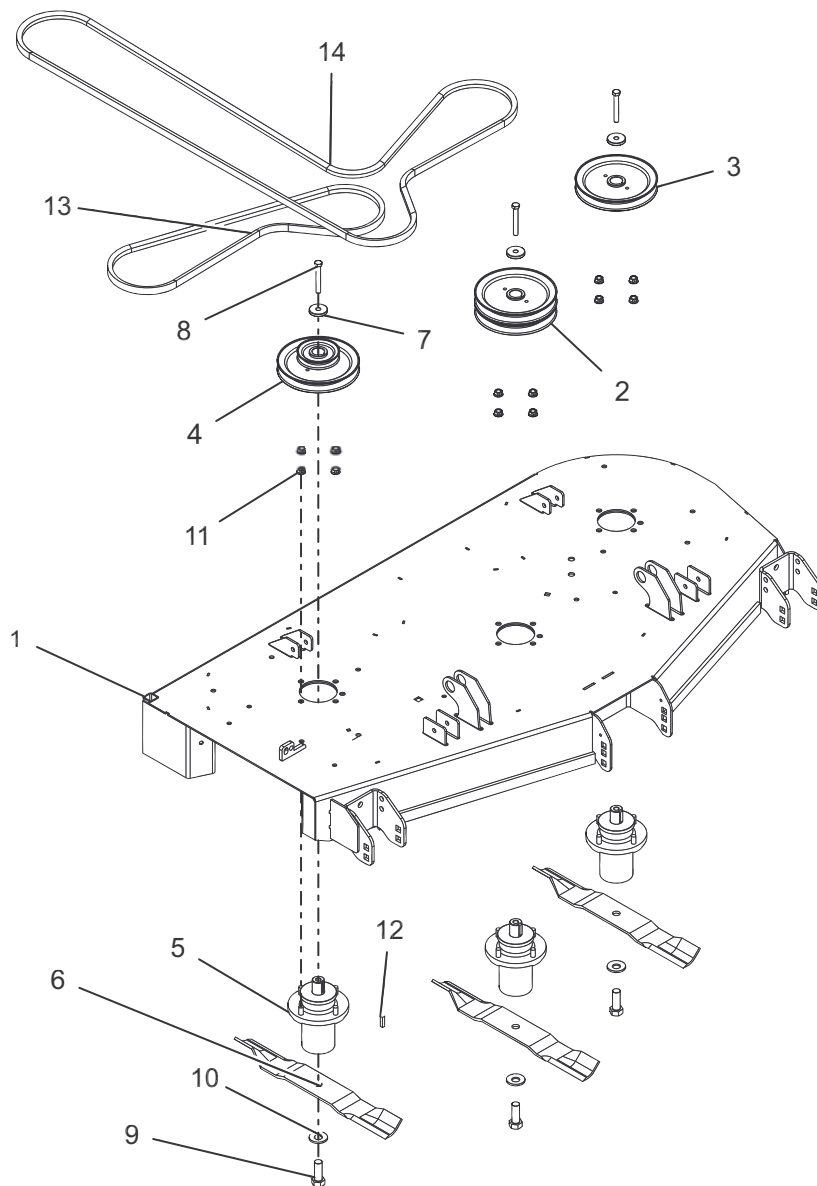
Models 991153



BOM ID	Number	Qty	Description
1	07332167	1	PULLEY, SINGLE -1.000 ID X 6.000 OD
2	07332267	1	PULLEY, DOUBLE -1"IDX3.50"&6.0-BLACK
3	07332367	1	PULLEY, DOUBLE 1.000 ID X 6.000 OD
4	00450200	3	BLADE, 16.19" MOWER (HI-LIFT)
5	59109800	3	ASM, SPINDLE
6	07200805	1	V-BELT, B 52.46 RAW COGGED
7	04530500	3	RETAINER, SHEAVE SPINDLE
8	05963000	3	BOLT, HEX 0.375-16X2.75 GR8
9	05978900	3	BLT-HEX .625-18X1.75 GR8 YWZC
10	06445700	3	WSHR, BLVL-.63X1.625X.14
11	06534800	12	NUT, LK-CTR-FLG .38-16 YWZC
12	06611200	3	KEY-SQ .250X.250X1.00 RC 40-50
13	07200815	1	V-BELT, HB SECTION
14	59107800	1	WLDMT, 48" SIDE DISCH DECK (ORANGE)

DECK, BELT, BLADES AND SPINDLES – 52"

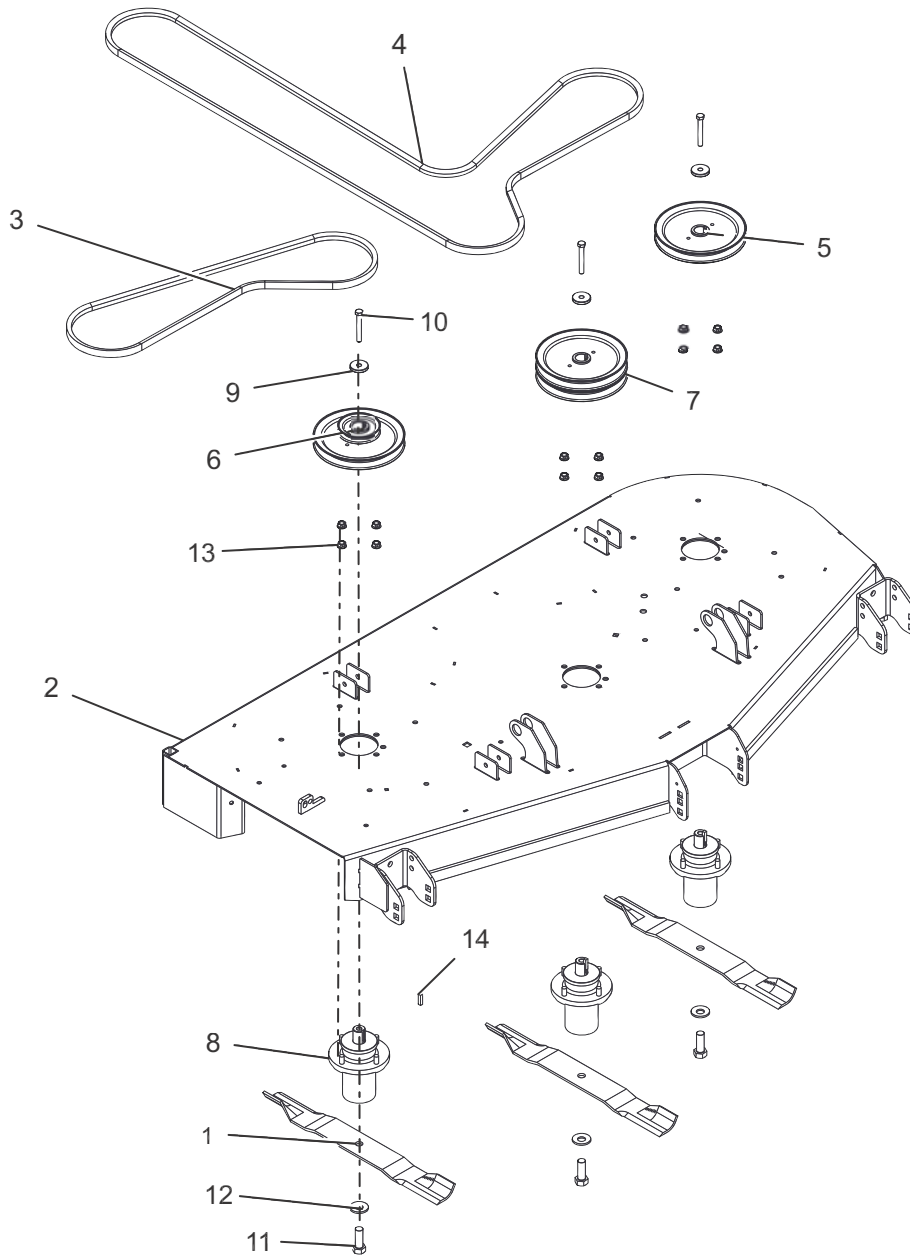
Model 991155



BOM ID	Number	Qty	Description
1	05002759	1	WLDMT, 52 SIDE DISCH DECK (ORANGE)
2	07328867	1	PULLEY, DOUBLE 1.000 ID X 6.750 OD
3	07328967	1	PULLEY, V-1.000 ID X 6.750 OD
4	07346267	1	PULLEY, DOUBLE
5	59109800	3	ASM, SPINDLE
6	03253800	3	BLADE, 18"
7	04530500	3	RETAINER, SHEAVE SPINDLE
8	05963000	3	BOLT, HEX 0.375-16X2.75 GR8
9	05978900	3	BLT-HEX .625-18X1.75 GR8 YWZC
10	06445700	3	WSHR, BLVL-.63X1.625X.14
11	06534800	12	NUT, LK-CTR-FLG .38-16 YWZC
12	06611200	3	KEY-SQ .250X.250X1.00 RC 40-50
13	07200806	1	V-BELT, B 58.45 RAW COGGED
14	07200816	1	V-BELT, HB SECTION

DECK, BELTS, BLADES AND SPINDLES – 60"

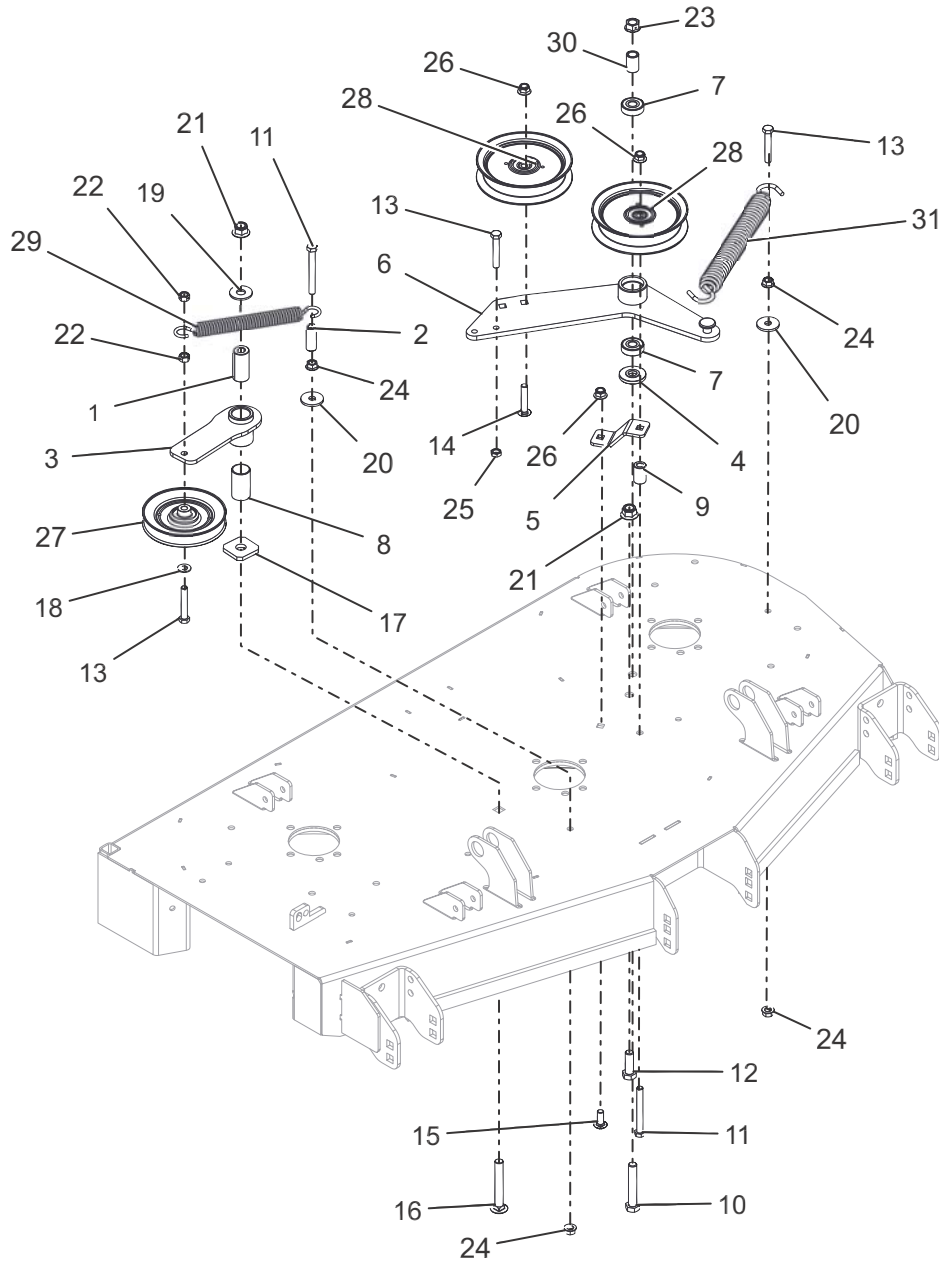
Models 9911151,157



BOM ID	Number	Qty	Description
1	03253900	3	BLADE, 20.5"
2	05002859	1	WLDMT, 60 SIDE DISCH DECK (ORANGE)
3	07200807	1	V-BELT, B 65.375 RAW COGGED
4	07200817	1	V-BELT, HB SECTION
5	07345967	1	PULLEY, V-1" ID X 7.50" OD
6	07346567	1	PULLEY, DOUBLE
7	07346667	1	PULLEY, DOUBLE 1"ID X 7.50"&7.50
8	59109800	3	ASM, SPINDLE
9	04530500	3	RETAINER, SHEAVE SPINDLE
10	05963000	3	BOLT, HEX 0.375-16X2.75 GR8
11	05978900	3	BLT-HEX .625-18X1.75 GR8 YWZC
12	06445700	3	WSHR, BLVL-.63X1.625X.14
13	06534800	12	NUT, LK-CTR-FLG .38-16 YWZC
14	06611200	3	KEY-SQ .250X.250X1.00 RC 40-50

IDLERS AND SHEAVES – 48"

Models 991153

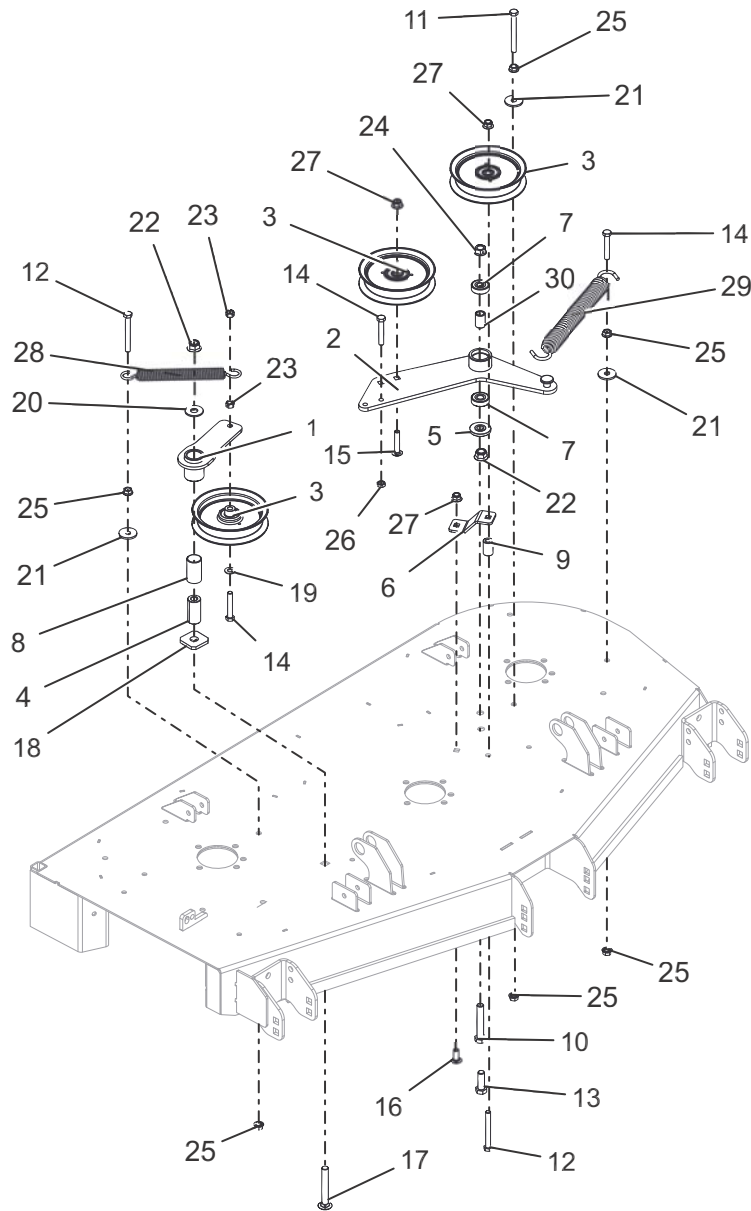


BOM ID	Number	Qty	Description
1	01581700	1	BSHG, SPCR .502X.997X2.03
2	03763400	1	SPCR, .375IDX.625ODX1.66 PM
3	03774151	1	WMT, IDLER PIVOT ARM
4	04714600	1	SPACER, IDLER ARM
5	04981859	1	BRKT, PTO FIXED IDLER MTG (ORANGE)
6	04985651	1	WLDMT, DECK PTO IDLER ARM
7	05408000	2	BRG-BALL .500X1.375X.44
8	05501234	1	BSHG, 1.00x1.125x1.9375
9	05501308	1	BUSHING, SLV .380 X .750 X 1.190
10	05959900	1	BOLT, HEX 0.5-13X3 GR5
11	05961100	2	BOLT, HEX 0.375-16X3.25 GR5
12	05962000	1	BOLT, HEX 0.5-13X1.5 GR5
13	05962900	3	BOLT, HEX 0.375-16X2.25 GR5
14	06203200	1	BLT-RHDSSQNK .38-16X2.00 G5YZ
15	06212000	1	BLT-RDHDSHSQNK.38-16X1.0 G5YZ
16	06225000	1	BOLT, CARRIAGE 0.5-13X3.5 GR5

BOM ID	Number	Qty	Description
17	06400829	1	WSHR, -FLT.640X1.75X.250
18	06436200	1	WSHR-FL-STL.406X.812X.065 YWZ
19	06442000	1	WSHR-FL-STL.563X1.38X.109YWZC
20	06442400	2	WASHER-FLAT-STL, .406 X 1.375 X .135
21	06500010	2	NUT-LK-NYL-FLG .50-13 YWZC
22	06529600	2	NUT-LK-NYL-FLG .38-16 YWZC
23	06530008	1	NUT-LK-CTR-FLG .50-13 YWZC
24	06534900	4	@NUT-SPNLK-FLG .375-16 YWZC
25	06535900	1	NUT, JAM .375-16 YWZC
26	06545500	3	NUT-LK-NYL-FLG .38-16 YWZC
27	07340100	1	IDLER, V-5.00" W/.69 STANDOFF
28	07345600	2	IDLER, FLAT
29	08300507	1	SPRG, EXTENSION - SWIVEL
30	09357700	1	SPACER, .510 X .750 X 1.148
31	08300708	1	SPRG, EXTENSION

IDLERS AND SHEAVES – 52"

Model 991155

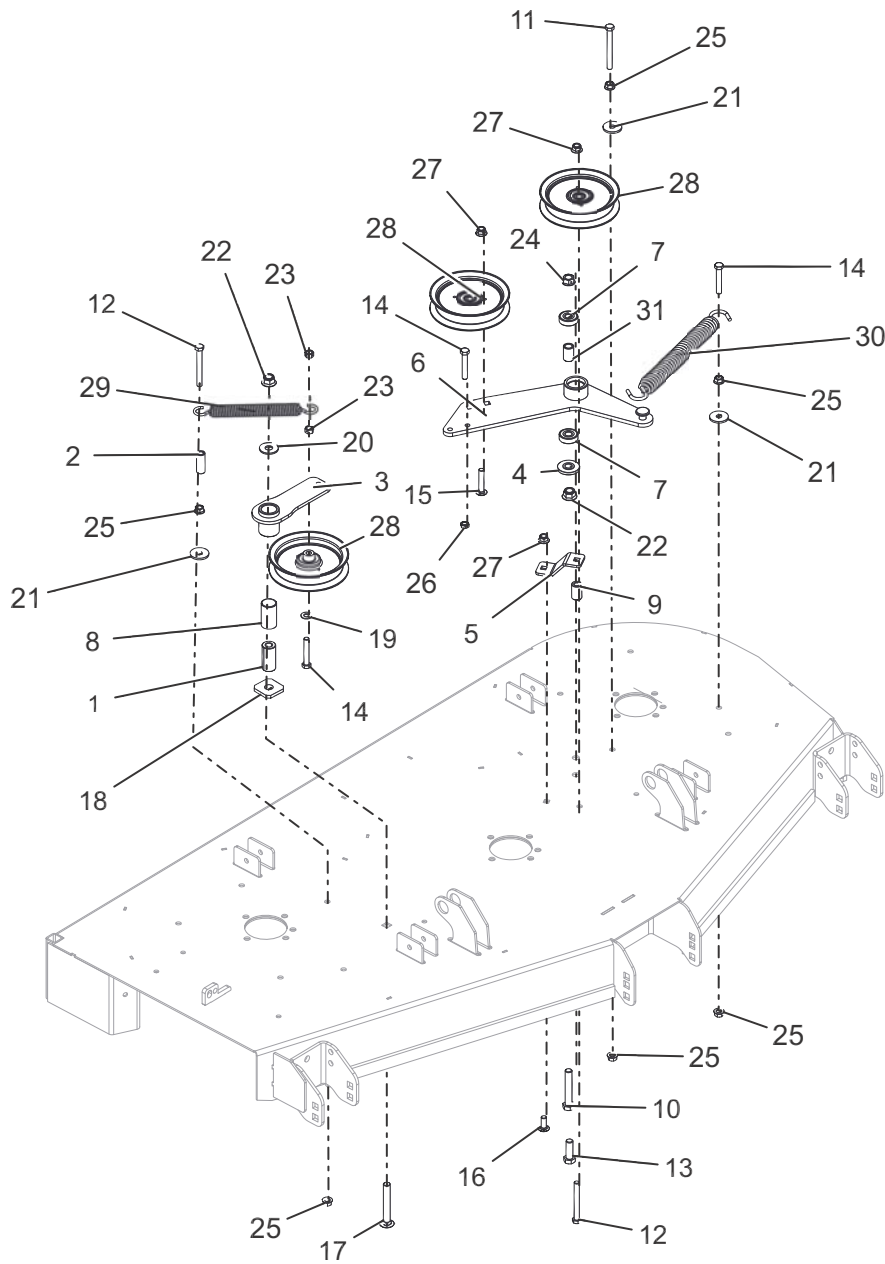


BOM ID	Number	Qty	Description
1	03774151	1	WMT, IDLER PIVOT ARM
2	04985651	1	WLDMT, DECK PTO IDLER ARM
3	07345600	3	IDLER, FLAT
4	01581700	1	BSHG, SPCR .502X.997X2.03
5	04714600	1	SPACER, IDLER ARM
6	04981859	1	BRKT, PTO FIXED IDLER MTG (ORANGE)
7	05408000	2	BRG-BALL .500X1.375X.44
8	05501234	1	BSHG, 1.00x1.125x1.9375
9	05501308	1	BUSHING, SLV .380 X .750 X 1.190
10	05959900	1	BOLT, HEX 0.5-13X3 GR5
11	05960900	1	BOLT, HEX 0.375-16X3.5 GR5
12	05961100	2	BOLT, HEX 0.375-16X3.25 GR5
13	05962000	1	BOLT, HEX 0.5-13X1.5 GR5
14	05962900	3	BOLT, HEX 0.375-16X2.25 GR5
15	06203200	1	BLT-RHDSSQNK .38-16X2.00 G5YZ
16	06212000	1	BLT-RDHDSSQNK.38-16X1.0 G5YZ

BOM ID	Number	Qty	Description
17	06225000	1	BOLT, CARRIAGE 0.5-13X3.5 GR5
18	06400829	1	WSHR, -FLT.640X1.75X.250
19	06436200	1	WSHR-FL-STL.406X.812X.065 YWZ
20	06442000	1	WSHR-FL-STL.563X1.38X.109YWZC
21	06442400	3	WASHER-FLAT-STL, .406 X 1.375 X .135
22	06500010	2	NUT-LK-NYL-FLG .50-13 YWZC
23	06529600	2	NUT-LK-CTR .38-16 YWZC
24	06530008	1	NUT-LK-CTR-FLG .50-13 YWZC
25	06534900	6	@NUT-SPNLK-FLG .375-16 YWZC
26	06535900	1	NUT, JAM .375-16 YWZC
27	06545500	3	NUT-LK-NYL-FLG .38-16 YWZC
28	08300507	1	SPRG, EXTENSION - SWIVEL
29	08300708	1	SPRG, EXTENSION
30	09357700	1	SPACER, .510 X .750 X 1.148

IDLERS AND SHEAVES – 60"

Models 991151, 157

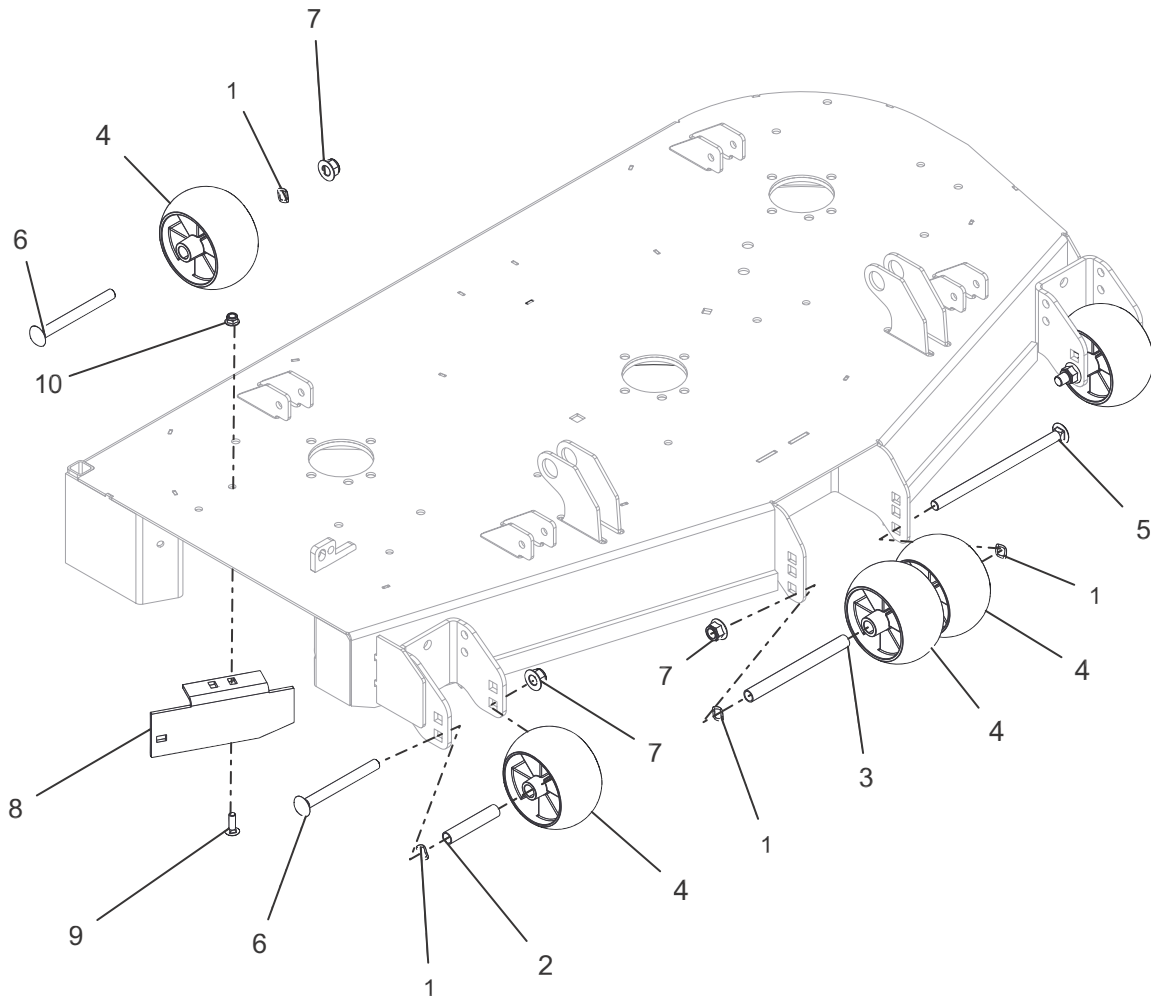


BOM ID	Number	Qty	Description
1	01581700	1	BSHG, SPCR .502X.997X2.03
2	03763400	1	SPCR, .375IDX.625ODX1.66 PM
3	03774151	1	WMT, IDLER PIVOT ARM
4	04714600	1	SPACER, IDLER ARM
5	04981859	1	BRKT, PTO FIXED IDLER MTG (ORANGE)
6	04985651	1	WLDMT, DECK PTO IDLER ARM
7	05408000	2	BRG-BALL .500X1.375X.44
8	05501234	1	BSHG, 1.00x1.125x1.9375
9	05501308	1	BUSHING, SLV .380 X .750 X 1.190
10	05959900	1	BOLT, HEX 0.5-13X3 GR5
11	05960900	1	BOLT, HEX 0.375-16X3.5 GR5
12	05961100	2	BOLT, HEX 0.375-16X3.25 GR5
13	05962000	1	BOLT, HEX 0.5-13X1.5 GR5
14	05962900	3	BOLT, HEX 0.375-16X2.25 GR5
15	06203200	1	BLT-RHDSSQNK .38-16X2.00 G5YZ
16	06212000	1	BLT-RDHDSSQNK.38-16X1.0 G5YZ

BOM ID	Number	Qty	Description
17	06225000	1	BOLT, CARRIAGE 0.5-13X3.5 GR5
18	06400829	1	WSHR, -FLT.640X1.75X.250
19	06436200	1	WSHR-FL-STL.406X.812X.065 YWZ
20	06442000	1	WSHR-FL-STL.563X1.38X.109YWZC
21	06442400	3	WASHER-FLAT-STL, .406 X 1.375 X .135
22	06500010	2	NUT-LK-NYL-FLG .50-13 YWZC
23	06529600	2	NUT-LK-CTR .38-16 YWZC
24	06530008	1	NUT-LK-CTR-FLG .50-13 YWZC
25	06534900	6	@NUT-SPNLK-FLG .375-16 YWZC
26	06535900	1	NUT, JAM .375-16 YWZC
27	06545500	3	NUT-LK-NYL-FLG .38-16 YWZC
28	07345600	3	IDLER, FLAT
29	08300507	1	SPRG, EXTENSION - SWIVEL
30	08300708	1	SPRG, EXTENSION
31	09357700	1	SPACER, .510 X .750 X 1.148

ANTI-SCALP WHEELS AND BAFFLE – 48"

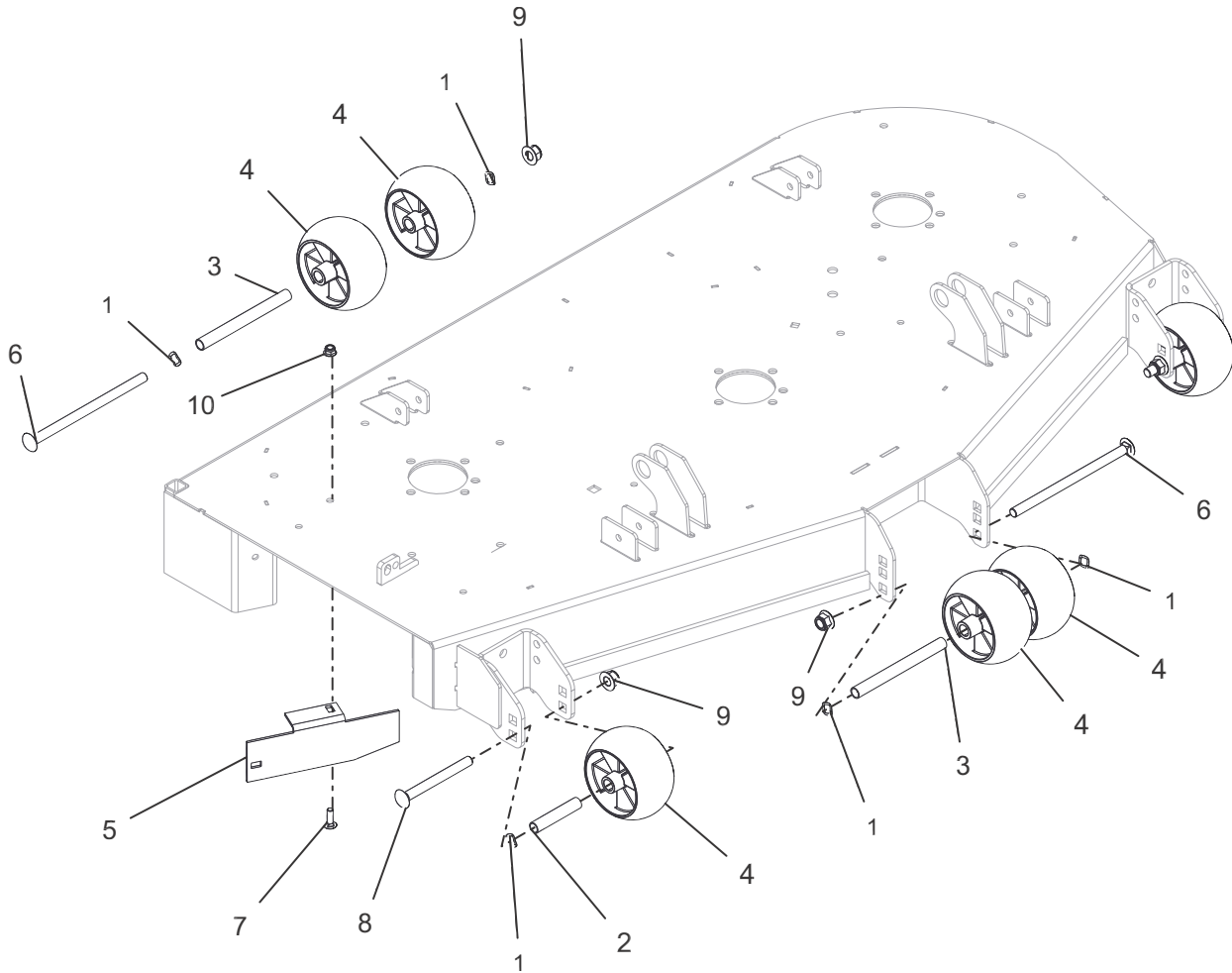
Models 991153



BOM ID	Number	Qty	Description
1	00325400	5	WAVE WASHER .531X.781X.125 FH
2	00473700	2	SPACER, .510X.625X3.35
3	00473800	1	SPACER, .510 X .625 X 6.50
4	03905900	5	ANTI-SCALP WHEEL
5	06206400	1	BOLT, CARRIAGE 0.5-13X8.5 GR5
6	06225900	3	BOLT, CARRIAGE 0.5-13X5 GR5
7	06500010	4	NUT-LK-NYL-FLG .50-13 YWZC
8	00451659	1	BAFFLE, 44-48" SIDE DISCHARGE (ORANGE)
9	06216100	1	BOLT, CARRIAGE 0.3125-18X1 GR5
10	06545400	1	NUT-LK-NYL-FLG .31-18 YWZC

ANTI-SCALP WHEELS AND BAFFLE – 52"

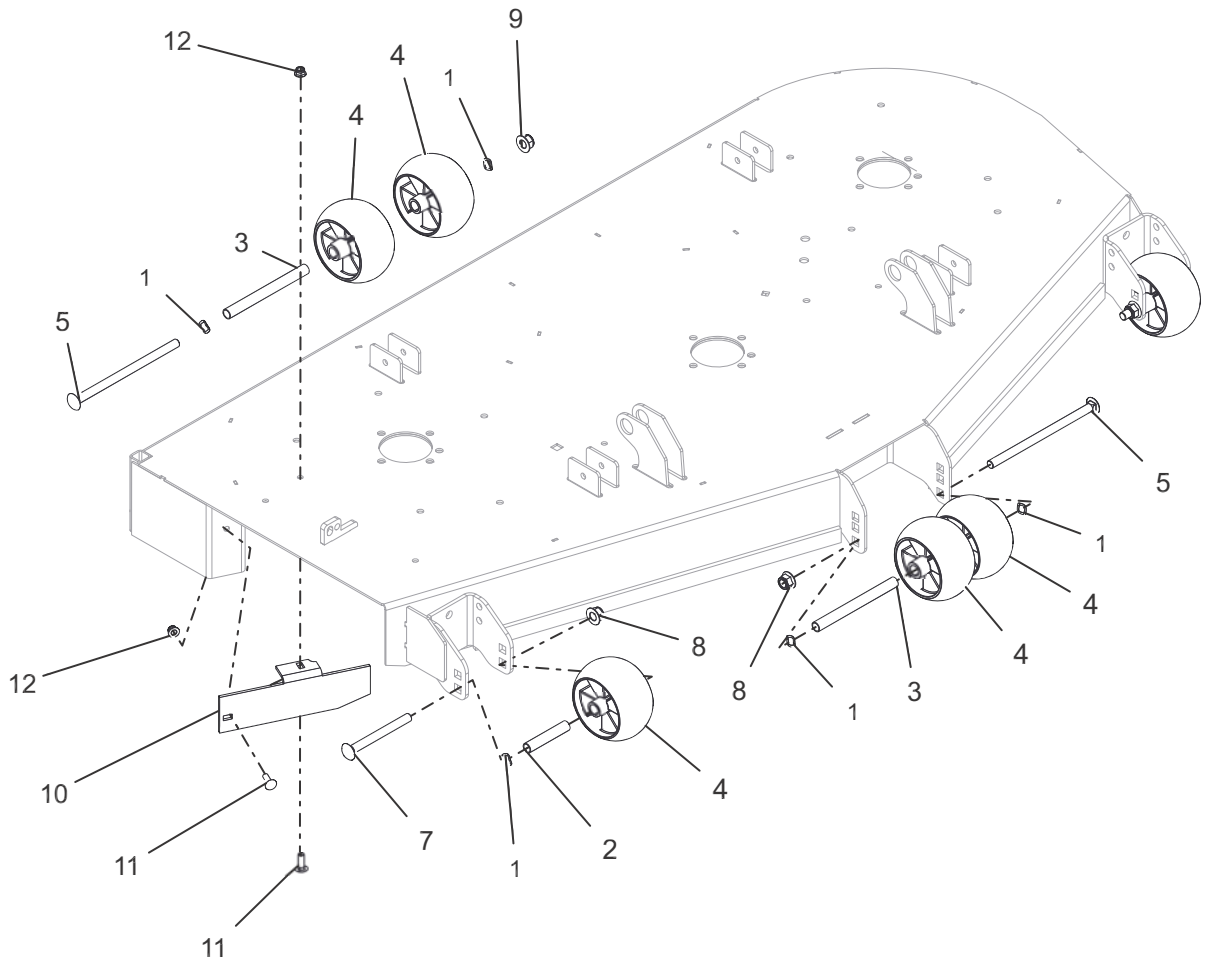
Model 991155



BOM ID	Number	Qty	Description
1	00325400	6	WAVE WASHER .531X.781X.125 FH
2	00473700	2	SPACER, .510X.625X3.35
3	00473800	2	SPACER, .510 X .625 X 6.50
4	03905900	6	ANTI-SCALP WHEEL
5	04389459	1	BAFFLE, DISCHARGE 52"
6	06206400	2	BOLT, CARRIAGE 0.5-13X8.5 GR5
7	06216100	1	BOLT, CARRIAGE 0.3125-18X1 GR5
8	06225900	2	BOLT, CARRIAGE 0.5-13X5 GR5
9	06500010	4	NUT-LK-NYL-FLG .50-13 YWZC
10	06545400	1	NUT-LK-NYL-FLG .31-18 YWZC

ANTI-SCALP WHEELS AND BAFFLE – 60"

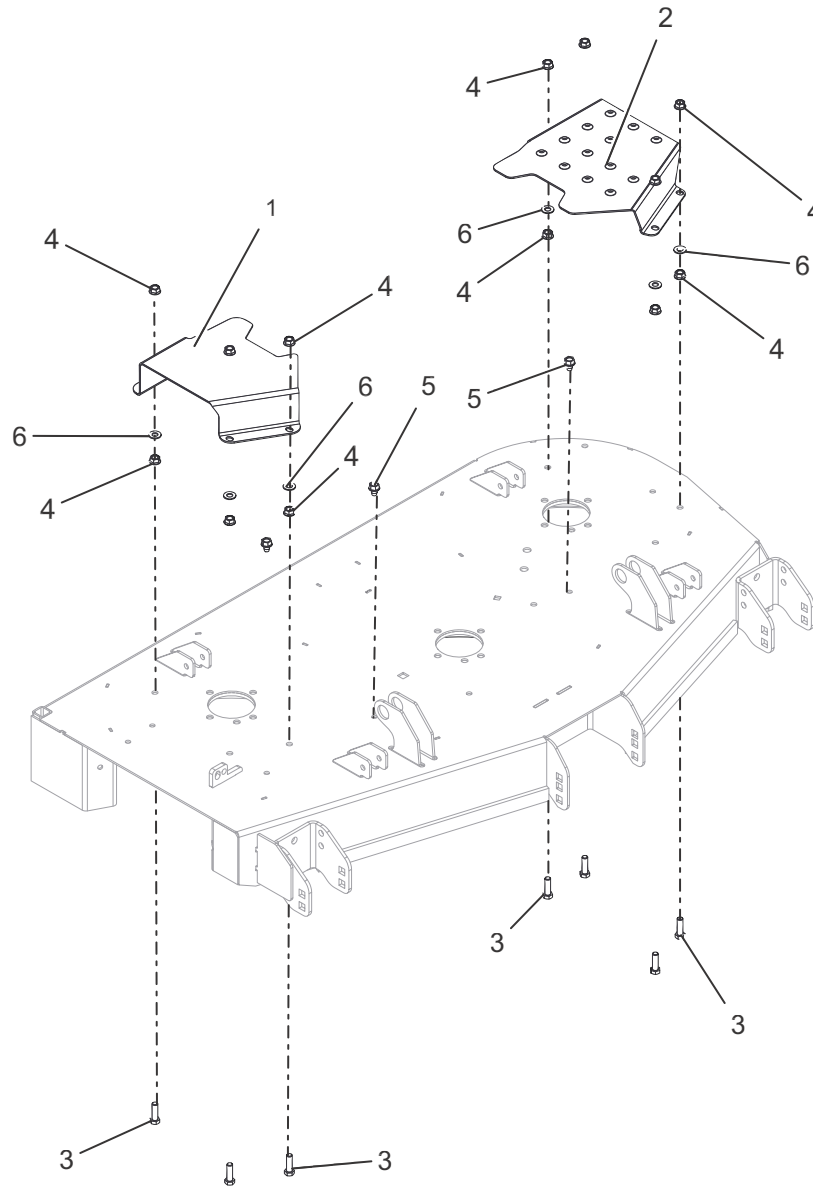
Models 991151, 157



BOM ID	Number	Qty	Description
1	00325400	6	WAVE WASHER .531X.781X.125 FH
2	00473700	2	SPACER, .510X.625X3.35
3	00473800	2	SPACER, .510 X .625 X 6.50
4	03905900	6	ANTI-SCALP WHEEL
5	06206400	2	BOLT, CARRIAGE 0.5-13X8.5 GR5
7	06225900	1	BOLT, CARRIAGE 0.5-13X5 GR5
8	06500010	3	NUT-LK-NYL-FLG .50-13 YWZC
9	06500010	1	NUT-LK-NYL-FLG .50-13 YWZC
10	00374159	1	BAFFLE, 60" DISCHARGE
11	06216100	2	BOLT, CARRIAGE 0.3125-18X1 GR5
12	06545400	2	NUT-LK-NYL-FLG .31-18 YWZC

BELT COVERS – 48"

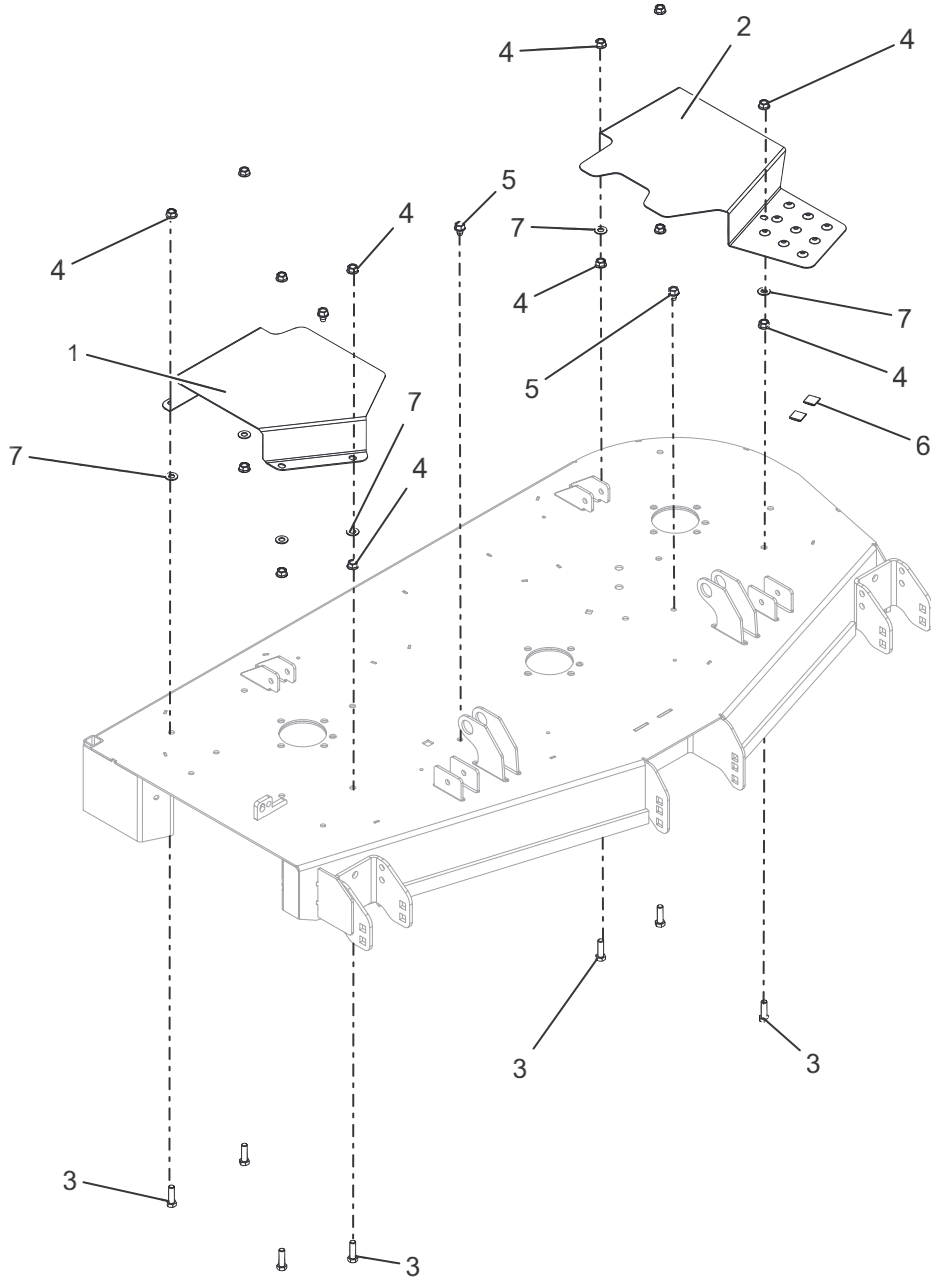
Models 991153



BOM ID	Number	Qty	Description
1	05075959	1	GUARD, BELT 48" RIGHT (ORANGE)
2	05076059	1	GUARD, BELT 48" LEFT (ORANGE)
3	05958000	7	BOLT, HEX 0.375-16X1.25 GR5
4	06534900	14	@NUT-SPNLK-FLG .375-16 YWZC
5	07412900	3	SCR-TAP .38-16X.50 HWH TR YWZ
6	06436200	7	WSHR-FL-STL.406X.812X.065 YWZ

BELT COVERS – 52"

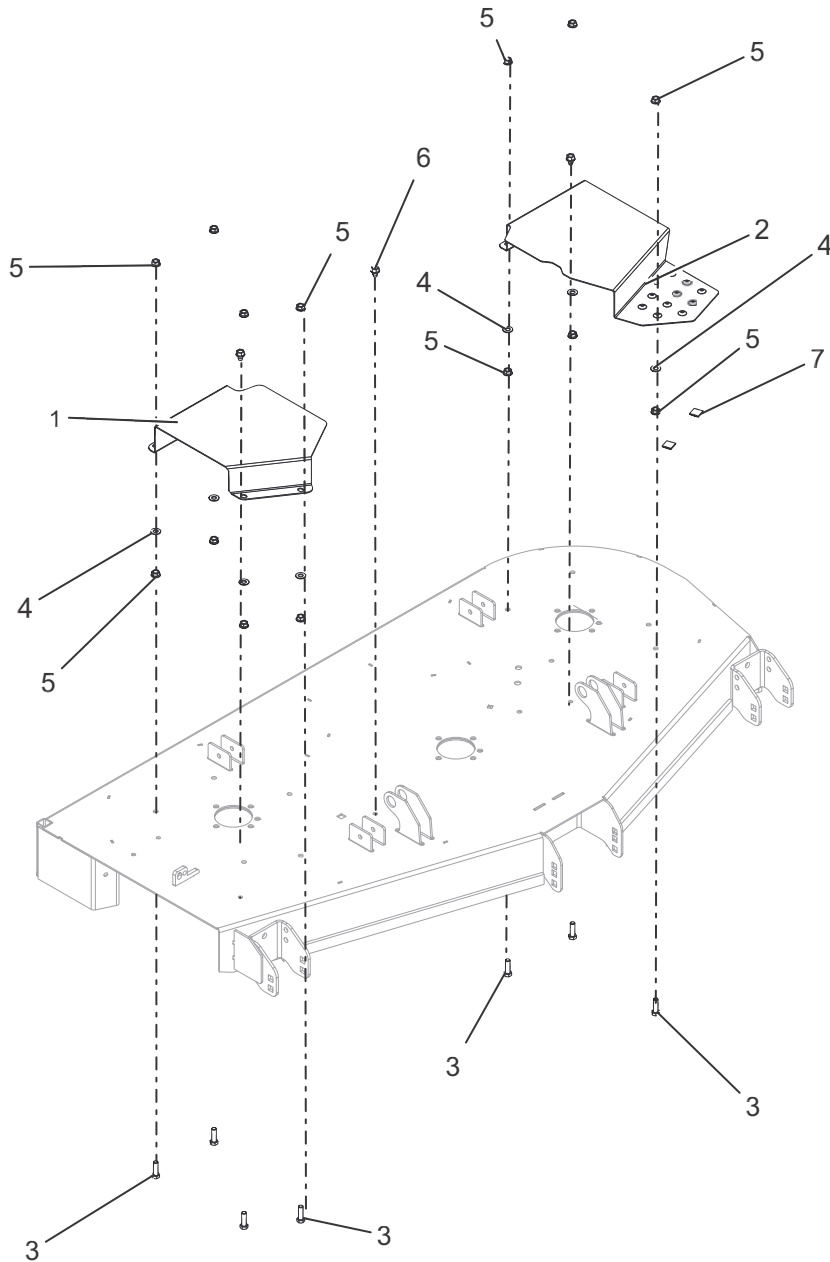
Model 991155



BOM ID	Number	Qty	Description
1	05074459	1	GUARD, BELT 52" & 60" RIGHT (ORANGE)
2	05074559	1	GUARD, BELT 52" LEFT (ORANGE)
3	05958000	7	BOLT, HEX 0.375-16X1.25 GR5
4	06534900	13	@NUT-SPNLK-FLG .375-16 YWZC
5	07412900	3	SCR-TAP .38-16X.50 HWH TR YWZ
6	07525100	2	STOP,
7	06436200	7	WSHR-FL-STL.406X.812X.065 YWZ

BELT COVERS – 60"

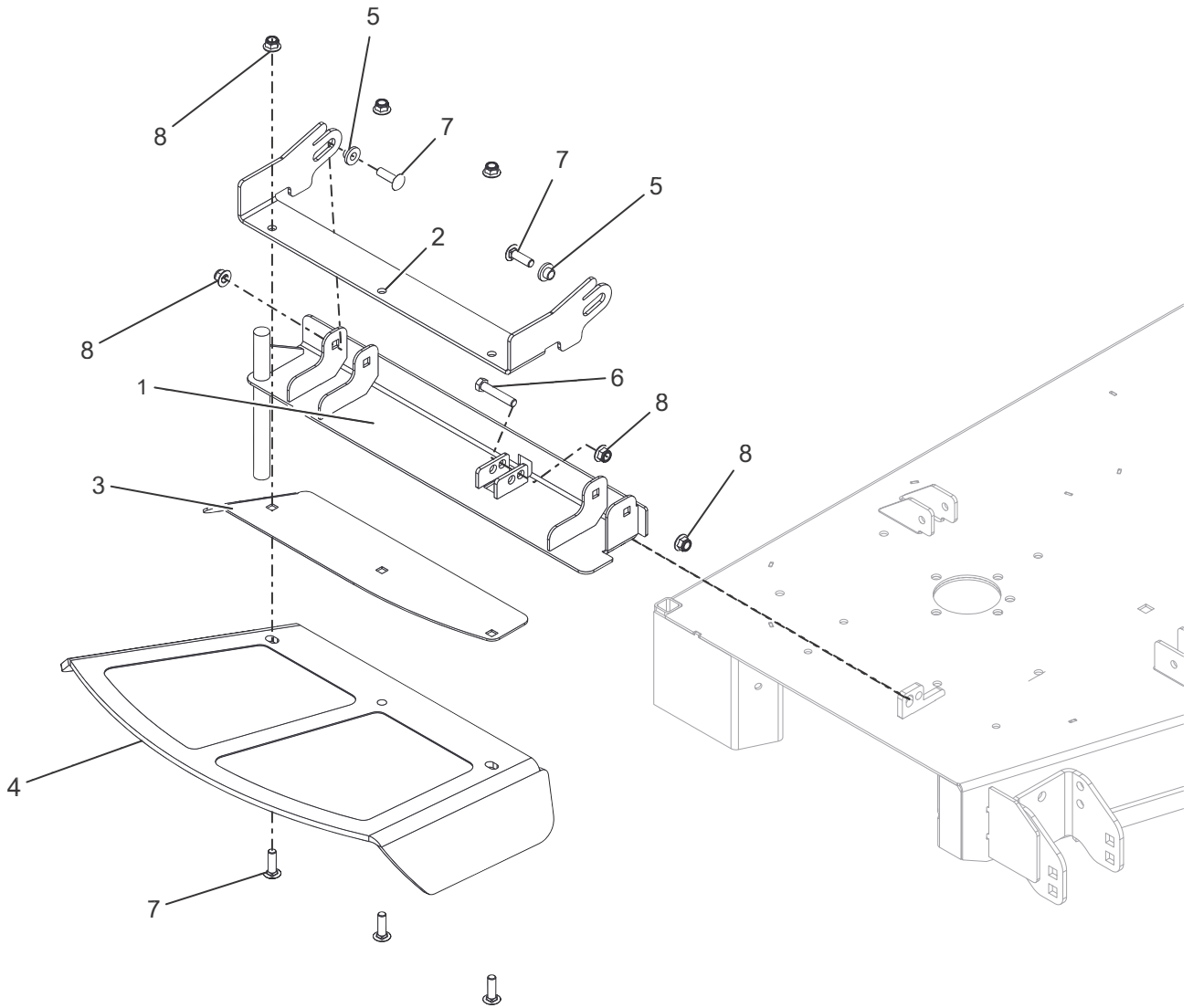
Models 991151, 157



BOM ID	Number	Qty	Description
1	05074459	1	GUARD, BELT 52" & 60" RIGHT (ORANGE)
2	05086859	1	GUARD, BELT 60" LEFT (ORANGE)
3	05958000	7	BOLT, HEX 0.375-16X1.25 GR5
4	06436200	7	WSHR-FL-STL.406X.812X.065 YWZ
5	06534900	14	@NUT-SPNLK-FLG .375-16 YWZC
6	07412900	3	SCR-TAP .38-16X.50 HWH TR YWZ
7	07525100	2	STOP,

DISCHARGE CHUTE

Models All



BOM ID	Number	Qty	Description
1	59112100	1	WLDMT, 48-60" DISCH CHUTE MOUNT (ORANGE)
2	04872259	1	BRKT, 48-60" CHUTE MTG (ORANGE)
3	04873759	1	PLATE, 48-60" DISCH CHUTE CLAMP (ORANGE)
4	04881200	1	CHUTE, 48-60" FORMED RUBBER DISCHARGE
5	05500435	2	BSHG, FLG .385 X .500 X .875 X .406
6	05963300	1	BOLT, HEX 0.375-16X2 GR5
7	06222200	5	BLT-RHDSSQNK .38-16X1.25 G5YZ
8	06545500	6	NUT-LK-NYL-FLG .38-16 YWZC



ARIENS

Ariens Company
655 West Ryan Street
Brillion, WI 54110

ariensstore.com
(Dealer Locator)

ariens.custhelp.com
(Customer Support)



— An *Ariens* Company Brand