

**ANTHONY**  
LIFTGATES, INC.®

**AST - ASTL - ATU**



## PARTS MANUAL

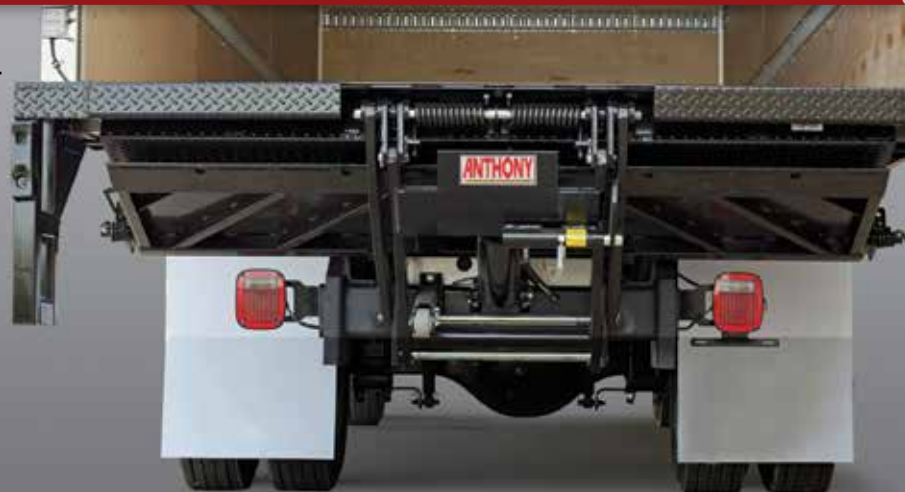
### MODELS

AST-1500  
AST-2000  
AST-2500  
AST-3000

ASTL-1800  
ASTL-2500

ATU-1800  
ATU-2500  
ATU-3000  
ATU-3500

ATU-1800LB  
ATU-2500LB



**QUALITY, RELIABILITY, CUSTOMER SERVICE**

**MADE IN THE USA** 

# Contents

---

Introduction.....	1
Safety.....	2
Nomenclature.....	3
General Information.....	4
AST & ATU Service Parts.....	5
Power Unit Service Parts.....	13
Hydraulic Cylinder Service Parts.....	15
Cart Stops & ARR Service Parts.....	17
Decals.....	19

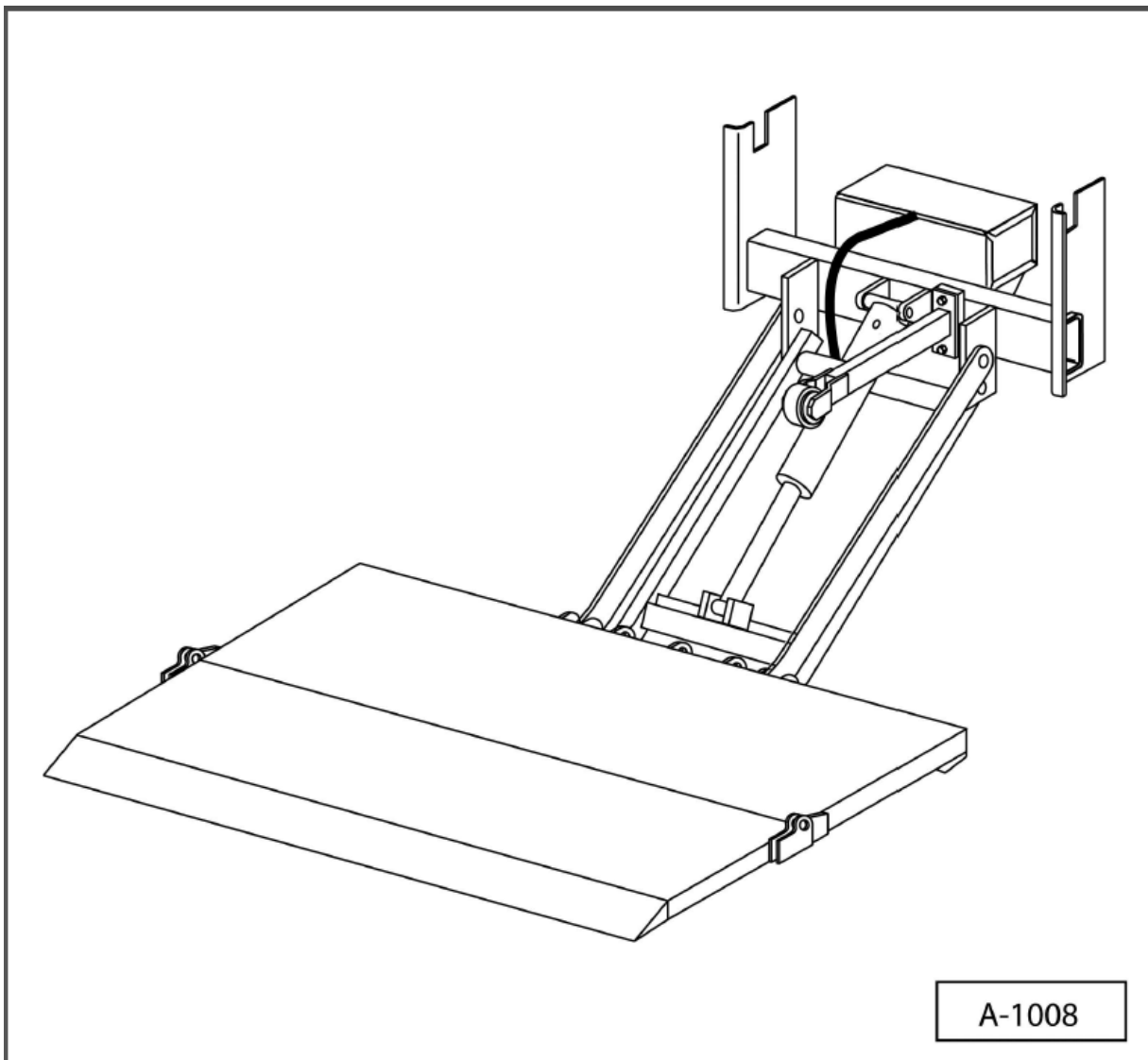
## Introduction

---

Congratulations on selection an Anthony Liftgate. Anthony Liftgates are among the finest liftgates available on the market today, and to ensure your liftgate will perform to your expectations, we have provided this manual, designed to provide you with the necessary instructions and safety precautions to service Anthony Liftgates AST and ATU models.

This Parts Manual contains part numbers for past and present Anthony liftgates. The parts illustrated in the parts drawings are representative of typical parts used in the actual Tuckunder liftgate, and may not look exactly like the part(s) on your liftgate. Part numbers are drawings are subject to change without notice. At the bottom of each page is the Anthony Liftgates Inc. Product Support phone number.


All Anthony Tuckunder model liftgates are factory assembled, tested, and energized to assure the highest quality performance standards. AST and ATU Tuckunder liftgates ship completely assembled on skids for fast, clean, and easy installation.




## SAFETY IS YOUR RESPONSIBILITY

Anthony Liftgates cannot anticipate every possible circumstance that might involve a potential hazard. The warnings in this manual and on the product itself are, therefore, not all inclusive. If tools, procedures, work methods, or operating techniques that are not specifically mentioned by Anthony Liftgates are used, you must satisfy yourself that it is safe for you and for others. Make sure the product or truck the liftgate is mounted onto will not be damaged or made unsafe by any operation, lubrication, maintenance, or repair procedures that you choose.


DO NOT proceed if any doubt arises about the correct or safe method of performing anything found in this or other Anthony Liftgates manuals. Seek our expert assistance from a qualified person before continuing.


 **DANGER**



**To avoid personal injury or death, carefully read and understand all instructions pertaining to the Anthony Liftgates product. Do not attempt to install, operate, or maintain our product without fully understanding all our instructions and safety precautions. Do not operate or work on a truck or liftgate unless you read and understand the instructions and warnings in the Installation, Operation, and Maintenance manual.**

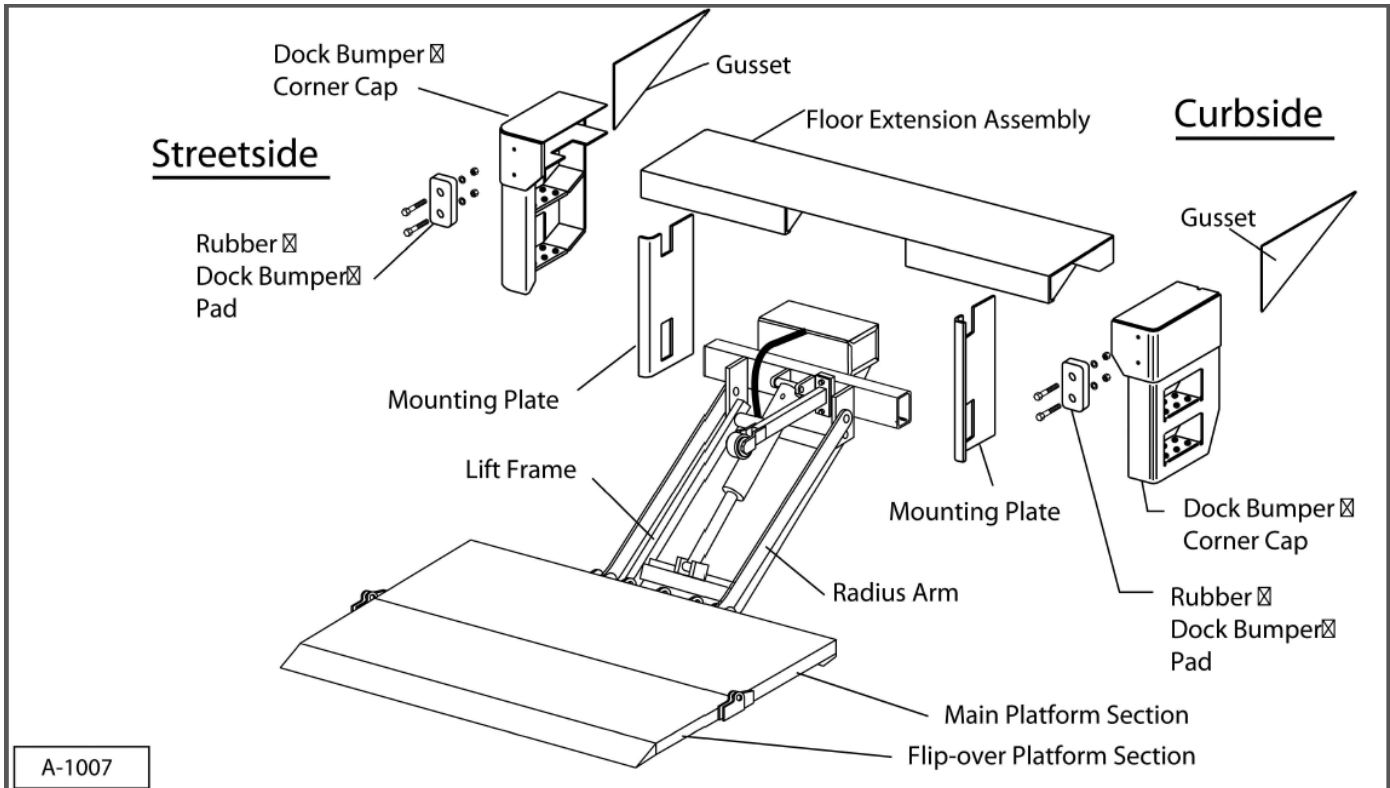
**If any doubt or question arises about the correct or safe method of performing anything found in this or other manuals from Anthony Liftgates, contact your Anthony Liftgates dealer or call the Inside Sales and Service representatives at our main headquarters (815-842-3383). Proper care is your responsibility.**

 **DANGER**

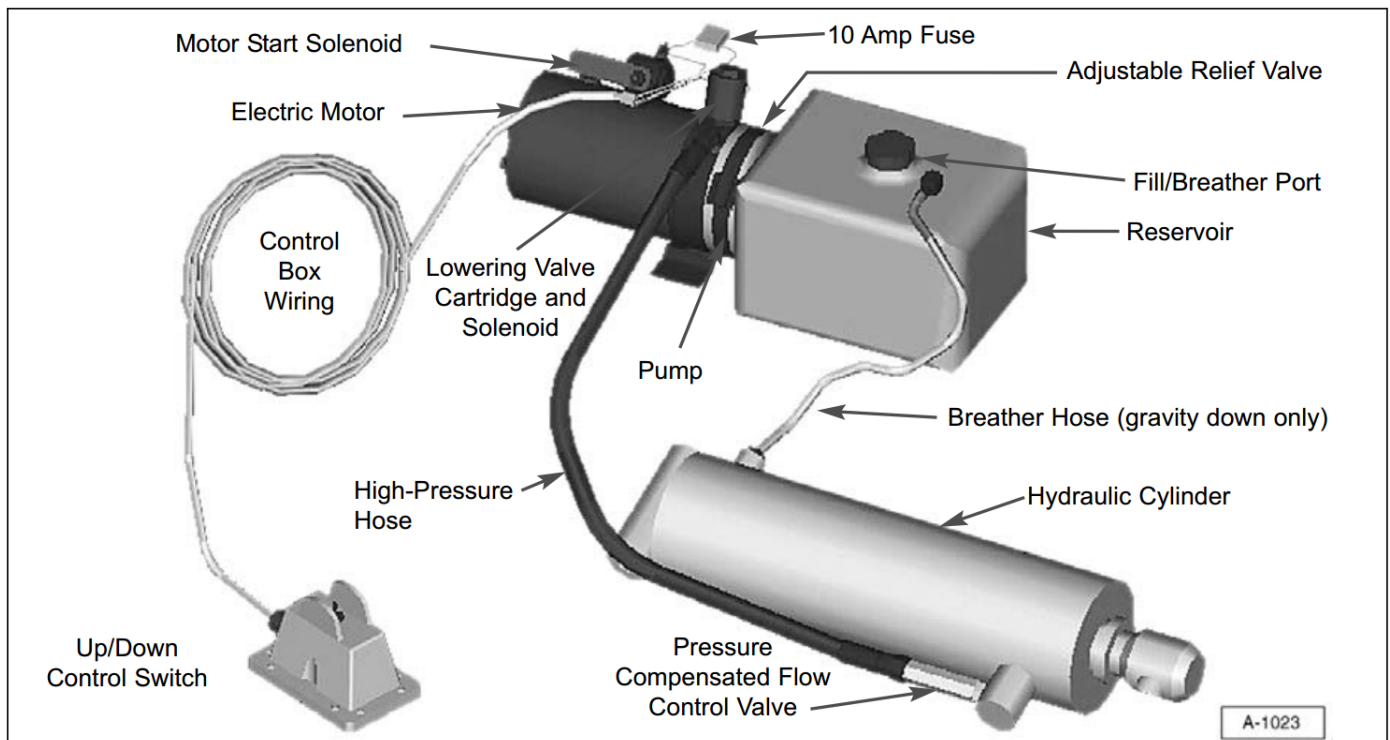


**Most accidents involving the operation, maintenance, or repair of products made by Anthony Liftgates occur because the owner/operator failed to observe basic safety rules or operating instructions. An accident can often be avoided by being alert and recognizing potentially hazardous situations. Any individuals operating, maintaining, or repairing products manufactured by Anthony Liftgates should have the necessary training, skills, and tools required to perform the functions properly and safely. The safety information in this manual serves as a basic guide in an attempt to prevent injury or death.**

# Nomenclature



Basic liftgate nomenclature



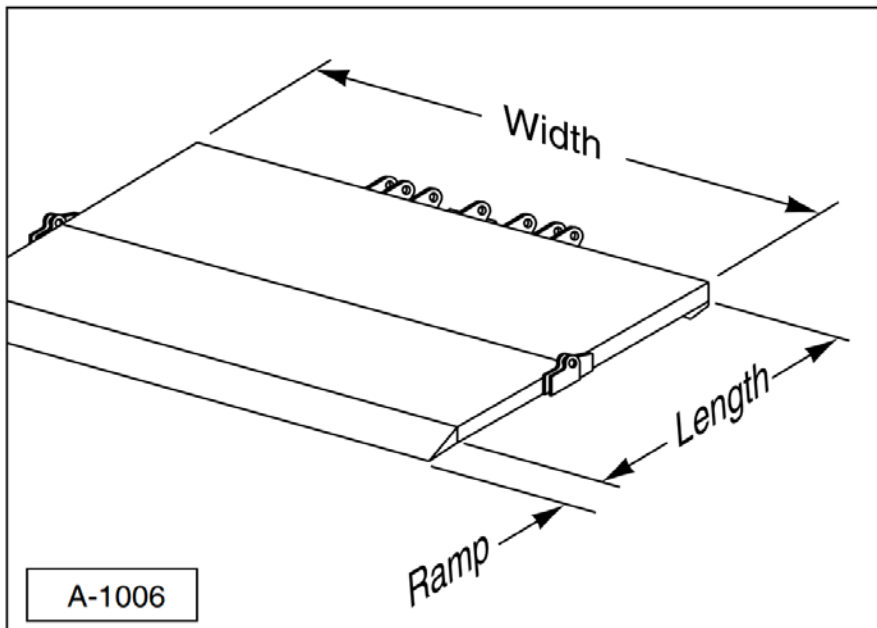
Power unit nomenclature



## General Information

### Platform Measurements

The measurements listed in items (41), (43), and (44) in the Tuckunder Liftgate Service Parts chart represent the overall size of the liftgate platform and not the size of the individual part. The width is listed first, followed by the length. The final number (+5 for example) is the length of the ramp. Compare the measurements of your liftgate with the measurements listed in your parts manual to determine the correct replacement part(s). Also, take into consideration the model number, if listed, when ordering parts.



### Decals

**! DANGER**

**Make sure all decals are attached to the liftgate and/or truck and are legible at all times.**

Safety decals provide a vital role in helping reduce injuries or possibly even death. To ensure the greatest level of safety, all decals must be in place and legible at all times. Remember, it is the user's responsibility to maintain these decals. For a complete list and illustration of the decals used on the Tuckunder liftgate, refer to the decals section of this manual.

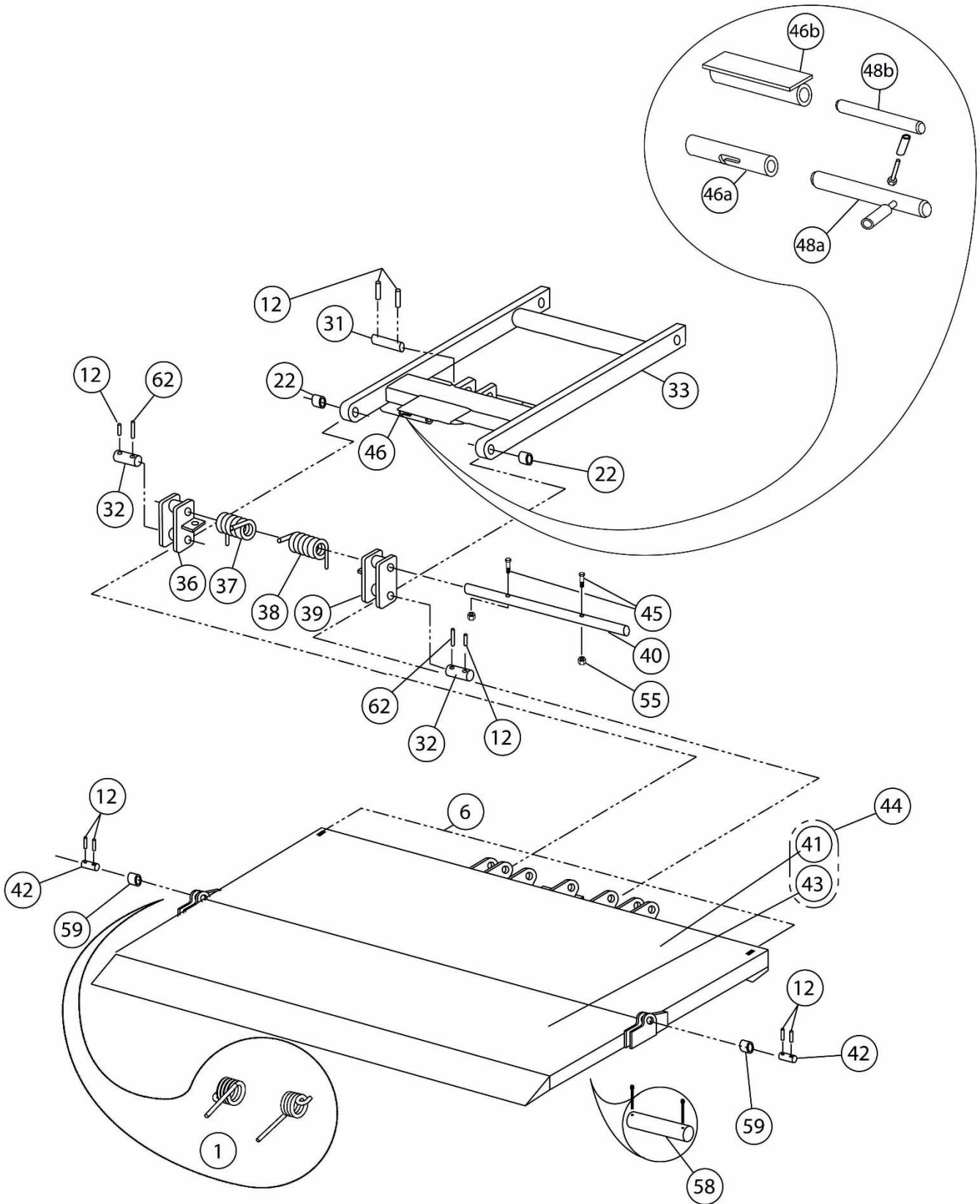
### Ordering Parts

We manufacture a high quality liftgate that requires very little maintenance or repair. However, should a part break or become damaged, our knowledgeable staff can make sure you receive the part(s) to put your liftgate back into operation.

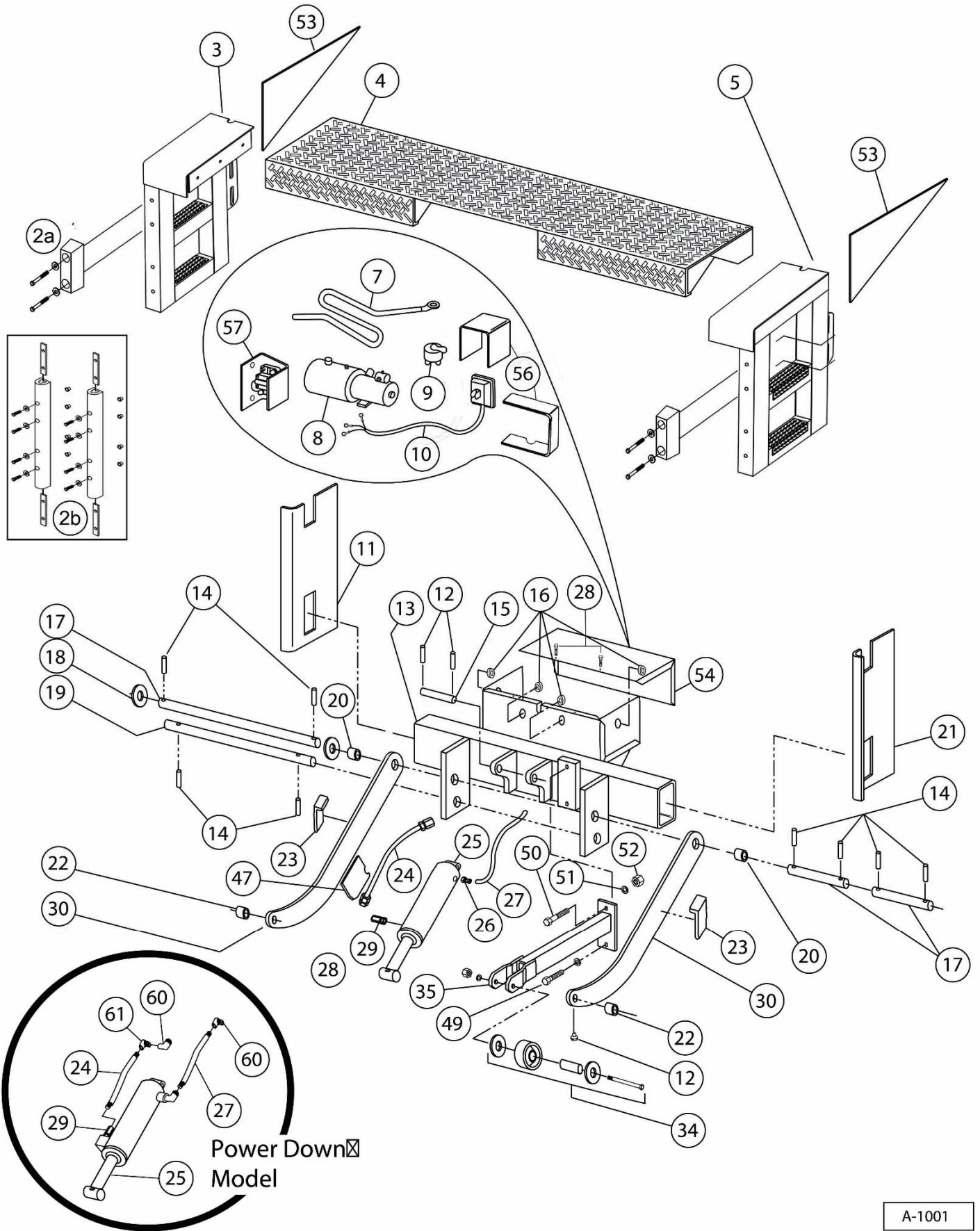
For questions, to order decals or to order parts, contact:

**Anthony Liftgates, Inc.**  
**1037 West Howard Street**  
**Pontiac, IL 61764**  
**(815) 842-3383**  
[www.anthonyliftgates.com](http://www.anthonyliftgates.com)

# AST & ATU TuckUnder Liftgate Service Parts



A-1002





**AST & ATU Tuckunder Liftgate Service Parts (Ref. A-1001 & A-1002)**

<b>Item</b>	<b>Part No.</b>	<b>Description</b>	<b>Qty.</b>
1	ATU-326-M	Platform Flip Spring (Steel wedge, ARR platforms only)	1
--	ATU-1222	Flip Spring Kit (One ATU-326-M Spring, ATU-944 Fastener Kit)	--
2a	ATU-126	Rubber Dock Bumper Set (2 Bumpers & Fasteners) - Old Style 8" Bumpers	2
2b	ATU-1119	Rubber Dock Bumper Set (2 Bumpers & Fasteners) - New Style 20" Bumpers	
3	A-140063	Dock Bumper (Left, Streetside)	1
	A-140063-G	Dock Bumper (Left, Streetside) Galvanized	
	A-140778	Low bed height dock bumper - street side	
	A-140778-G	Low bed height dock bumper - (Left, Streetside) Galvanized	
4	ATU-108	Floor Extension Assembly for 96 Inch Wide Bodies (Standard Formed Design)	1
	ATU-802	Floor Extension Assembly for 96 Inch Wide Bodies (AST-Plus, AST-L, ATU-LB) (Low-Profile Design)	
	ATU-653	Floor Extension Assembly for 96 Inch Wide Bodies (Standard Formed Design) Walkramp Compatible	
	ATU-936	Floor Extension Assembly for 96 Inch Wide Bodies (HD 1/4" Formed Design) Walkramp Compatible	
	ATU-475	Floor Extension Assembly for 96 Inch Wide Bodies (HD 1/4" Formed Design)	
	ATU-1435	Floor Extension Assembly for 96 Inch Wide Bodies (Standard Formed Design) 18" Deep	
	ATU-968	Floor Extension Assembly for 96 Inch Wide Bodies (AST-Plus, AST-L, ATU-LB) (Low-Profile Design) Walkramp Compatible	
	ATU-968-W	Weld-on version of ATU-968	
	ATU-494	Floor Extension Assembly for 102 Inch Wide Bodies (Standard Formed Design)	
	ATU-803	Floor Extension Assembly for 102 Inch Wide Bodies (AST-Plus, AST-L, ATU-LB) (Low-Profile Design)	
	ATU-654	Floor Extension Assembly for 102 Inch Wide Bodies (Standard Formed Design) Walkramp Compatible	
	ATU-937	Floor Extension Assembly for 102 Inch Wide Bodies (HD 1/4" Formed Design) Walkramp Compatible	
	ATU-735	Floor Extension Assembly for 102 Inch Wide Bodies (HD 1/4" Formed Design)	
	ATU-969	Floor Extension Assembly for 102 Inch Wide Bodies (AST-Plus, AST-L, ATU-LB) (Low-Profile Design) Walkramp Compatible	
	ATU-969-W	Weld-on version of ATU-969	
	ATU-108-G	ATU-108 with Galvanized Finish	
	ATU-802-G	ATU-802 with Galvanized Finish	
	ATU-653-G	ATU-653 with Galvanized Finish	
	ATU-936-G	ATU-936 with Galvanized Finish	
	ATU-475-G	ATU-475 with Galvanized Finish	
	ATU-1435-G	ATU-1435 with Galvanized Finish	
	ATU-968-G	ATU-968 with Galvanized Finish	
	ATU-494-G	ATU-494 with Galvanized Finish	
	ATU-803-G	ATU-803 with Galvanized Finish	
	ATU-654-G	ATU-654 with Galvanized Finish	
	ATU-937-G	with Galvanized Finish	
ATU-735-G	ATU-735 with Galvanized Finish		

	ATU-969-G	ATU-969 with Galvanized Finish	
5	A-140062	Dock Bumper Corner Cap (Right, Curbside)	1
	A-140062-G	Dock Bumper (Right, Curbside) Galvanized Finish	
	A-177777	Low bed height dock bumper - curb side	
	A-177777-G	See above	
6	A-155037	Rubber Bumper - Aluminum Platforms Only	1
7	A-133105	Power Cable, #2 Gauge	1
8	A-130116	Power Unit (Gravity Down)	1
	A-130117	Power Unit (Power Down)	
	A-130118	Power Unit (Gravity Down, 24V)	
9	A-133038	Power Cut-Off Switch (Recommended Option)	--
10	ATU-393	Control with Cable (Gravity Down, Toggle Switch) (Old Style)	1
	ATU-396	Control with Cable (Power Down, Toggle Switch) (Old Style)	
	ATU-392	Repair Switch (A-133141) with Old-Style Box (Gravity Down)	
	ATU-395	Repair Switch (A-133144) with Old-Style Box (Power Down)	
	ATU-394	Control Box only (For Toggle Switch, No Switch) (Old Style)	
	ATU-1218	Control With Cable (Gravity Down, Toggle Switch) (New Style)	
	ATU-1219	Control With Cable (Power Down, Toggle Switch) (New Style)	
	ATU-1220	Control without Cable (Gravity Down, Toggle Switch) (New Style)	
	ATU-1221	Repair Switch (A-133141) with New-Style Box (Gravity Down)	
	ATU-1215	Repair Switch (A-133144) with New-Style Box (Power Down)	
	ATU-405	Power Down Switch - Recessed Cup (Optional)	
10 - Kit	A-133141	Toggle Switch Repair Kit (Gravity Down)	---
	A-133144	Toggle Switch Repair Kit (Power Down)	---
11	ATU-057-L	Mounting Plate (Left, Streetside)	1
	ATU-281	Mounting Plate (Left, Streetside) 48" platform or deeper	
12	A-132026	Cotter Pin, 1/4 x 1-1/2 inch (Use on 1" dia pins)	2 - 6
13	ATU-180	Adapter Frame (1500, 1800, 2000, and 2500)	1
	ATU-181	Adapter Frame (3000 and 3500)	
	ATU-180-G	ATU-180 with Galvanized Finish	
	ATU-181-G	ATU-181 with Galvanized Finish	
14	A-132027	2 1/4" cotter pin (Use on 1 1/4" dia pins)	4 - 6
15	ATU-102	Cylinder Pin, Upper (1500, 1800, 2000, and 2500)	1
	ATU-118	Cylinder Pin, Upper (3000 and 3500)	
16	ATU-137	Grommet for Pump Box	4
17	ATU-112	Radius Arm Pin (1500, 1800, 2000, and 2500), Long	1
	ATU-117	Radius Arm Pin (3000 and 3500), Short	2
18	ATU-134	Washer	12
19	ATU-111	Lift Frame Pin	1
20	ATU-430	Bushing (Composite) (1500, 1800)	2
	ATU-428	Bushing (Composite) (2500, 3000, and 3500)	
21	ATU-057-R	Mounting Plate (Right, Curbside)	1
	ATU-282	Mounting Plate (Right, Curbside) 48" platform or deeper	
22	ATU-429	Bushing (Composite) (1500, 1800)	4
	ATU-426	Bushing (Composite) (2500, 3000, and 3500)	
23	ATU-086	Platform Support - Steel Platform	2
	ATU-587	Platform Support - Aluminum Platform	
	ATU-086-G	ATU-086 with Galvanized Finish	
	ATU-587-G	ATU-587 with Galvanized Finish	
24	A-130112	High-Pressure Hose (Power Down, with SAE #6 threads) Used after S/N 35000	1
	A-130110	High-Pressure Hose (Gravity Down, with SAE #6 threads) Used after S/N 35000	

25	A-130113	Cylinder (1500, 1800, and 2000) SAE #6 ports	1
	A-130114	Cylinder (2500) SAE #6 ports	
	A-130115	Cylinder (3000 and 3500) SAE #6 ports	
26	A-130143	Fitting, Barbed (Male SAE #6 to 3/16" Barb) Used in Cylinder Port of Gravity Down model.	1
27	ATU-979	Zero-Pressure Return Hose (Gravity Down) 24"	1
	A-130111	High-Pressure Hose (Power Down, 19 inches long, with SAE #6 threads) 1/4" ID	
	A-130211	High-Pressure Hose (Power Down, 19 inches long, with SAE #6 threads) 3/8" ID	
	A-130213	High-Pressure Hose (Power Down, 22 inches long, with SAE #6 threads) 3/8" ID	
28	A-132029	Thumb Screws for ATU-533 lid on ATU-586 box	2
29	A-150035	Control Flow Valve (1500, 1800, and 2000) (Used <b>prior</b> to S/N 35000) 1.5 GPM	1
	A-150038	Control Flow Valve (2500, 3000, and 3500) (Used <b>prior</b> to S/N 35000) 2.25 GPM	
	A-130100	Control Flow Valve (1500, 1800, and 2000) (Used <b>after</b> S/N 35000) 1.5 GPM	
	A-130101	Control Flow Valve (2500) (Used <b>after</b> S/N 35000) 2.25 GPM	
	A-130102	Control Flow Valve (3000 and 2500) (Used <b>after</b> S/N 35000)	
30	ATU-190	Radius Arm, 3/4 inch with Bushings (1500, 1800, and 2000)	2
	ATU-192	Radius Arm, 1 inch with Bushings (2500, 3000, and 3500)	
	ATU-190-G	ATU-190 with Galvanized Finish	
	ATU-192-G	ATU-192 with Galvanized Finish	
31	ATU-103	Cylinder Pin, Rod End	1
32	ATU-105	Cam Plate Pins (Old Style)(For cams with roll pin retainer)	2
	ATU-1485	Cam Plate Pins (New Style) (1 Hole Only. For cams with bolt pin retention)	
33	ATU-184	Lift Frame with Bushings (1500, 1800, and 2000)	1
	ATU-188	Lift Frame with Bushings (2500, 3000, and 3500)	
	ATU-184-G	ATU-184 with Galvanized Finish	
	ATU-188-G	ATU-188 with Galvanized Finish	
	ATU-783	Lift Frame without Bushings (1500, 1800, and 2000) For use with 80" x 45" + 12" ARR Platform only	
	ATU-784	Lift Frame without Bushings (2500, 3000, and 3500) For use with 80" x 45" + 12" ARR Platform only	
34	ATU-123	Roller Wheel Assembly (Wheel-only replacement kit for wheel arm)	1
35	ATU-881	Wheel Arm Assembly - Adjustable	1
	ATU-881-G	Wheel Arm Assembly - Adjustable, Galvanized Finish	
36	ATU-107-L	Cam, (Left, Streetside) 4.25" pin center (Plate says ATU-028)	1
	ATU-705	Cam, (Left, Streetside) 4.375" pin center (Plate says ATU-706)	
	ATU-208	Cam, (Left, Streetside) 4.5" pin center (Plate says ATU-206)	
	ATU-941	Cam, (Left, Streetside) 4.75" pin center (Plate says ATU-942)	
	ATU-107-L-G	ATU-107-L with Galvanized Finish	
	ATU-705-G	ATU-705 with Galvanized Finish	
	ATU-208-G	ATU-208 with Galvanized Finish	
	ATU-941-G	ATU-941 with Galvanized Finish	
37	ATU-100-L	Assist Spring (Left, Streetside) Steel platforms 44" deep or less, & all aluminum platforms	1
	A-140071	Assist Spring (Left, Streetside) Steel platforms 45" deep or greater	
38	ATU-100-R	Assist Spring (Right, Curbside) All aluminum platforms	1
	ATU-518-R	Assist Spring (Right, Curbside) Steel platforms 44" deep or less	
	A-140070	Assist Spring (Right, Curbside) Steel platforms 45" deep or greater	

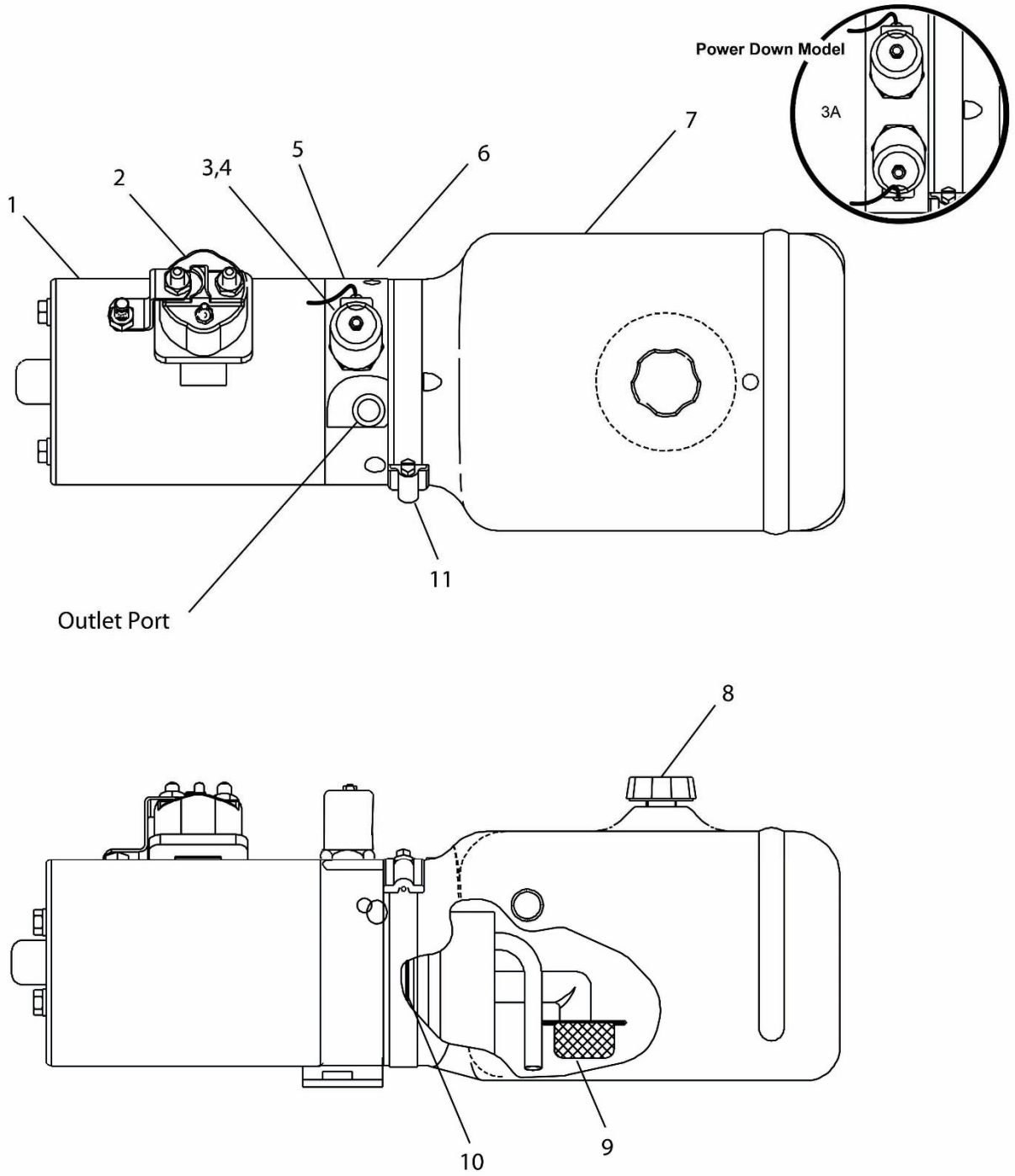
39	ATU-107-R	Cam, (Right, Curbside) 4.25" Pin Center (Plate says ATU-028)	1
	ATU-704	Cam, (Right, Curbside) 4.375" Pin Center (Plate says ATU-706)	
	ATU-207	Cam, (Right, Curbside) 4.5" Pin Center (Plate says ATU-206)	
	ATU-940	Cam, (Right, Curbside) 4.75" Pin Center (Plate says ATU-942)	
	ATU-107-R-G	ATU-107-R with Galvanized Finish	
	ATU-704-G	ATU-704 wth Galvanized Finish	
	ATU-207-G	ATU-207 with Galvanized Finish	
	ATU-940-G	ATU-940 with Galvanized Finish	
40	ATU-104	Pin - Platform and Cams	1
<b>NOTE: For liftgates year 2007 or earlier, contact Anthony customer service with serial number to confirm fitment prior to ordering</b>			
41	ATU-809	Platform Main Section, 80 x 50 Wedge, 80 x 45 + 6 Ramped, and 80 x 48 + 12 ARR Platform	1
	SG-1012-01	ATU-809 with Galvanized Finish	
	ATU-890	Platform Main Section, 80 x 44 Wedge, and 80 x 38 + 5 Ramped Platforms	
	SG-1042	ATU-890 with Galvanized Finish	
	ATU-256-35	Platform Main Section, 72 x 38 + 5 Steel Ramped Platform	
	ATU-256-35-G	ATU-256-35 with Galvanized Finish	
	ATU-1379	Platform Main Section, 80 x 45 + 6 Aluminum Ramped, or 80 x 50 Aluminum Wedge Platform	
	ATU-1409	Platform Main Section, 80 x 44 Aluminum Wedge Platform	
	ATU-857	Platform Main Section, 80 x 50 Wedge, 80 x 45 + 6 Ramped Steel Platforms, Walkramp Version	
	ATU-967	Platform Main Section, 80 x 44 Wedge, and 80 x 38 + 5 Steel Ramped Platforms, Walkramp Version	
NP	ATU-1510	Pin & Bushing Kit for 1500, 1800, 2000 (All pins, wedge or ramped steel platforms)	Kit
NP	ATU-483	Pin & Bushing Kit for 2500 (All pins, wedge or ramped steel platforms)	Kit
NP	ATU-484	Pin & Bushing Kit for 3000, 3500 (All pins, wedge or ramped steel platforms)	Kit
42	ATU-016	Platform Flip-Over Pin (Non-spring-assisted Steel Platforms)	2
	ATU-538	Platform Flip Pin for LowBoys (Non-sandwiched hinge plate)	
	A-150036	Pin, 5/8 inch (Aluminum platforms with cast sides only)	
NP	ATU-647	Hinge Pin - Flip-Over (All spring assisted platforms)	
43	ATU-810	Platform Flip Section, 80" x 50" Steel Wedge	1
	ATU-871	ATU-810 with Galvanized Finish	
	SG-897	Platform Flip Section, 80" x 50" Steel Wedge with Cart Stops	
	ATU-891	Platform Flip Section, 80" x 44" Steel Wedge	
	ATU-891-G	ATU-891 with Galvanized Finish	
	ATU-909	Platform Flip Section, 80" x 45" + 6" Steel Ramped Platform	
	ATU-909-G	ATU-909 with Galvanized Finish	
	ATU-905	Platform Flip Section, 80" x 38" + 5" Steel Ramped Platform	
	ATU-905-G	ATU-905 with Galvanized Finish	
	ATU-910	Platform Flip Section, 80" x 48" + 12" Steel Platform with Aluminum ARR (ARR sold separately)	
	ATU-910-G	ATU-910 with Galvanized Finish	
	ATU-576	Platform Flip Section, 72" x 38" + 5" Steel Ramped Platform	
	ATU-576-G	ATU-576 with Galvanized Finish	
	ATU-1382	Platform Main Section, 80" x 45" + 6" Aluminum Ramped Platform	
	ATU-1387	Platform Main Section, 80" x 45" + 6" Aluminum Ramped Platform with Cart Stops	
	ATU-1398	Platform Flip Section, 80" x 50" Aluminum Wedge Platform	
ATU-1391	Platform Flip Section, 80" x 50" Aluminum Wedge Platform with Cart Stops		



	ATU-1410	Platform Flip Section, 80" x 44" Aluminum Wedge Platform	
	ATU-1411	Platform Flip Section, 80" x 44" Aluminum Wedge Platform with Cart Stops	
44	ATU-801	Platform Assembly, Complete, 80" x 50" Steel Wedge	1
	ATU-873	ATU-801 with Galvanized Finish	
	ATU-892	Platform Assembly, Complete, 80" x 44" Steel Wedge	
	ATU-892-G	ATU-892 with Galvanized Finish	
	ATU-676	Platform Assembly, Complete, 80" x 45" + 6" Steel Ramped	
	ATU-676-G	ATU-676 with Galvanized Finish	
	ATU-441	Platform Assembly, Complete, 80" x 38" + 5" Steel Ramped	
	ATU-441-G	ATU-441 with Galvanized Finish	
	ATU-619	Platform Assembly, Complete, 80" x 48" + 12" Steel w/ Alum ARR	
	ATU-619-G	ATU-619 with Galvanized Finish	
	ATU-636	Platform Assembly, Complete, 72" x 38" + 5" Steel Ramped	
	ATU-636-G	ATU-636 with Galvanized Finish	
	ATU-1400	Platform Assembly, Complete, 80" x 45" +6" Aluminum Ramped	
	ATU-1401	ATU-1400 with Dual Cart Stops	
	ATU-1402	Platform Assembly, Complete, 80" x 50" Aluminum Wedge	
	ATU-1403	ATU-1403 with Dual Cart Stops	
	ATU-1412	Platform Assembly 80" x 44" Aluminum Wedge	
	ATU-1413	ATU-1412 with Dual Cart Stops	
	ATU-226	Platform Assembly, Complete, 80" x 42" + 5 Steel Ramped	
	ATU-535	Platform Assembly, Complete, 72" x 32" + 5" Steel Ramped	
	ATU-973	Platform Assembly, Complete, 80" x 44" Steel Wedge, Walkramp version	
	ATU-736	Platform Assembly, Complete, 80" x 50" Steel Wedge. Walkramp version	
45	869	Bolt	2
46	ATU-169	Latch Tube Weldment (Old Style) Prior to June, 1999	1
	ATU-559	Latch Tube (New Style) After June, 1999	
47	ATU-558	Latch Plate (New Style) After June, 1999	1
48	ATU-195	Pin, Handle, and Bolt (Old Style, Used with ATU-169)	1
	ATU-556	Latch Pin (New Style, Used with ATU-559)	
	ATU-557	Latch Handle (New Style, Used with ATU-559)	
49	ATU-260	Bolt	1
50	ATU-259	Bolt	1
51	1691	Lock Washer	2
52	3139	Nut	1
53	ATU-200	Gusset	2
54		Complete Pump Box, Hingeless (21" x 8" x 8") (ATU-531, ATU-533, A-132029)	1
	ATU-586	Base Only, Hingeless Pump Box	---
	ATU-531	Base Only, Hingeless Pump Box	---
	ATU-533	Cover Only, Hingeless Pump Box	---
55	862	Lock Nut	
56	ATU-235	Control Box Cover Plate (Optional - Old Style)	---
	ATU-1228	Stainless Steel Switch Guard (Optional - New Style)	---
57	A-150495	150 Amp Circuit Breaker (Old Style)	1
	A-133063	200 Amp In-line Fuse (New Style, Not Pictured)	
	A-150500	Bracket for 150 Amp Circuit Breaker (Optional, Old Style)	---
	A-177358	200 Amp Circuit Breaker Kit (Optional, Not Pictured)	---
58	A-150025	Platform Support Pin (1-1/4") (Pre-2015 Aluminum Platforms. Located under main platform section, secured by four cotter pins. 2 each)	[2]
59	A-150029	Bearing, Main Platform Hinge, 1 inch long (Cast Side Bar Aluminum Platforms Only)	2
	A-150030	Bearing, Flip-Over Hinge 1/2" long (Cast Side Bar Aluminum Platforms Only)	4

60	A-130140	Elbow, 90 degree for Power Unit (Male SAE #6 to Male JIC #6) Requires 1 for gravity down model and 2 for power down model	---
	A-130149	Elbow, 90 degree (Male SAE #6 to 3/8 NPT Female Swivel) Used to retrofit SAE #6 pump threads to hose with pipe threads	1
61	A-130142	Elbow, 90 degree (Female JIC #6 to Male JIC #6) Used with A-130140 Elbow on Power Down model.	1
62	A-132137	Roll Pin - 5/16" diameter (For Use with ATU-105 pin)	2
	869	Bolt - 5/16" diameter (For Use with ATU-1485 pin)	
	862	Lock Nut (For use with 869)	

# Power Unit Service Parts



A-1000

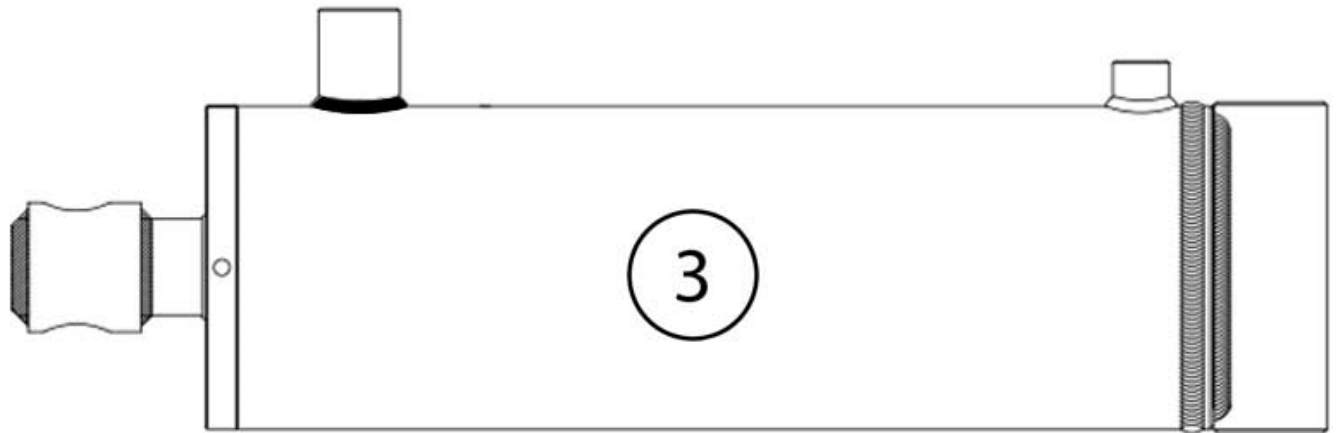
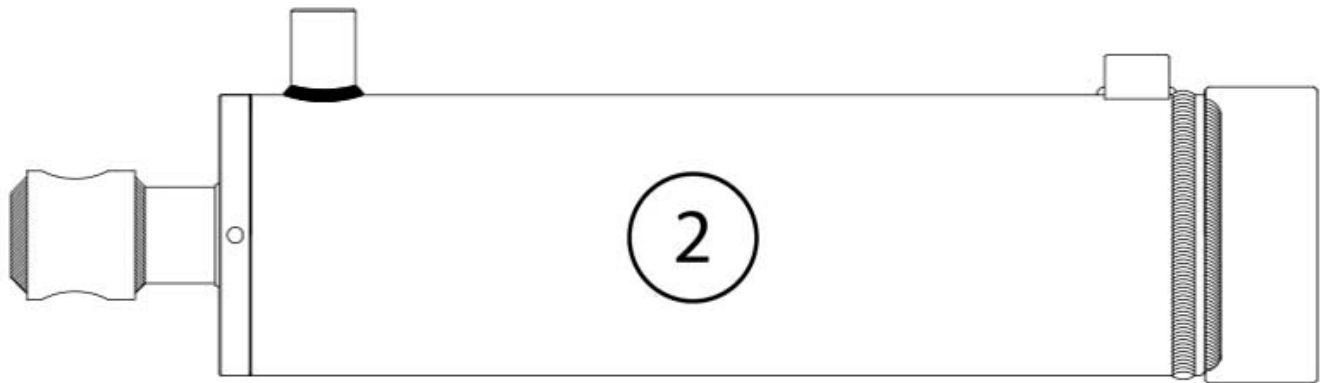
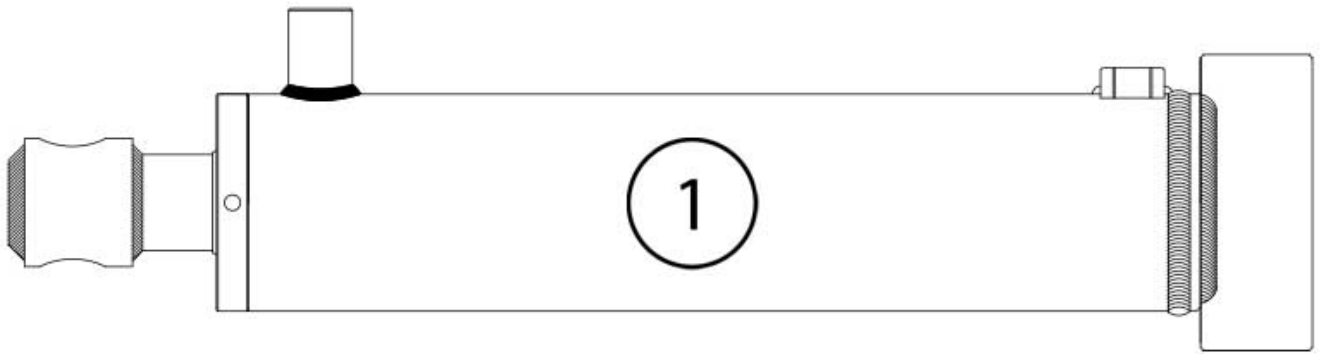
<b>Power Unit Service Parts (Ref. A-1000)</b>			
<b>Item</b>	<b>Part No.</b>	<b>Description</b>	<b>Qty.</b>
1	A-150018	Motor	1
2	ATU-120	Motor Start Solenoid	1
3	A-130272	Lowering Valve with Coil (Gravity Down)	1
	A-176305	Lowering Valve with Coil (Power Down)	1
3A	A-130288	Raise Valve with Coil (Power Down)	1
4	ATU-585	Coil (For A-130272)	1
	A-176316	Coil (For A-176305)	1
5	A-130156	Pump	1
6	A-130229	Adjustable relief valve	1
7	A-150635	Plastic reservoir	1
8	A-130033	Plastic reservoir cap	1
9	A-150015	Filter nipple	1
	A-150016	Filter screen	1
10	A-150019	Reservoir O-ring	1
11	ATU-565	Reservoir clamp	1
--	A-130116	Complete power unit (Gravity Down)	
	A-130117	Complete power unit (Power Down)	--

Call for 24V parts.



# Hydraulic Cylinder Service Parts

---

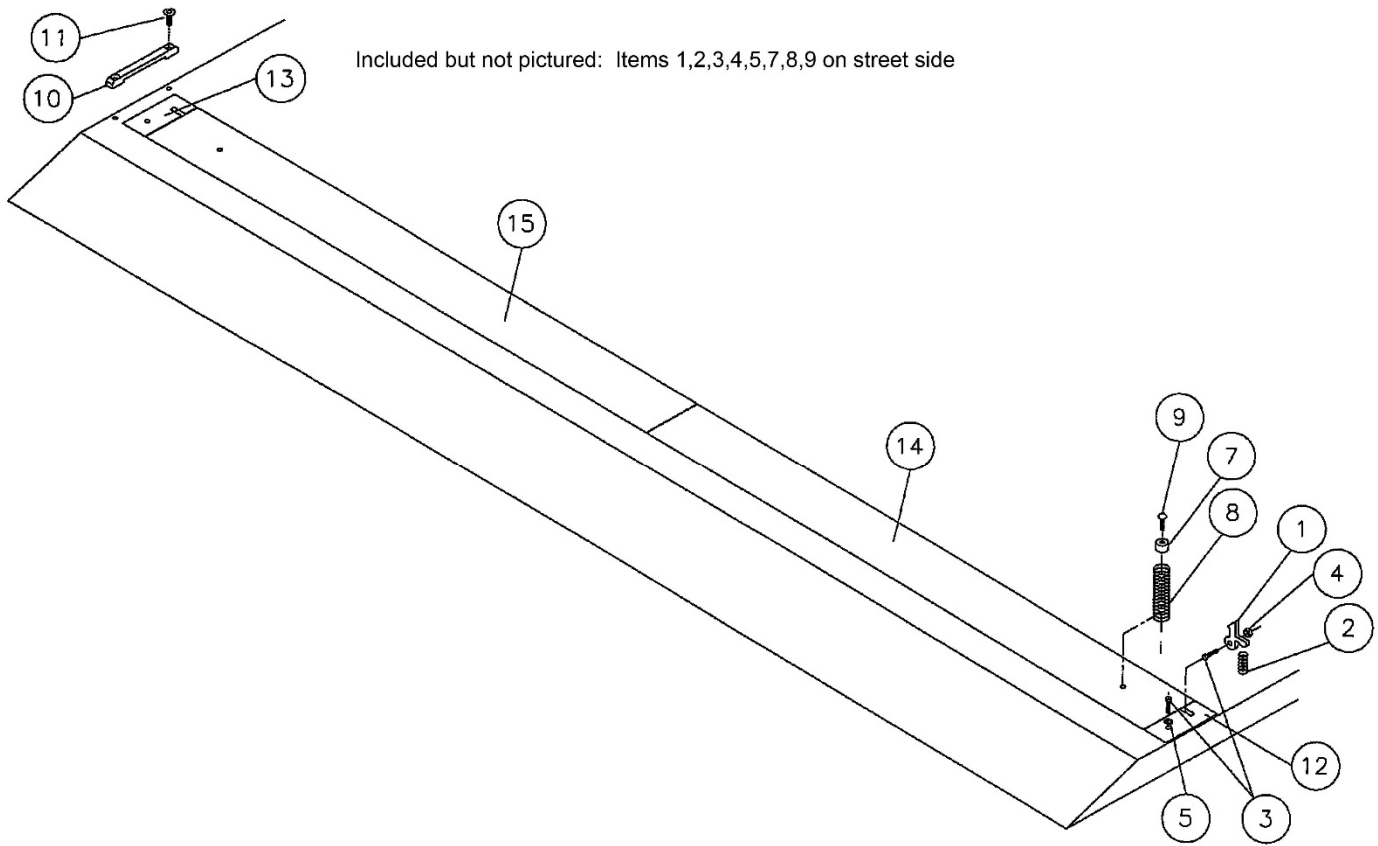


A-1003

<b>Hydraulic Cylinder Service Parts (Ref. A-1003)</b>			
<b>Item</b>	<b>Part No.</b>	<b>Description</b>	<b>Qty.</b>
1	A-130113	Complete cylinder (1500, 1800, 2000 lb) 11.25" circumference	1
2	A-130114	Complete cylinder (2500 lb) 14.25" circumference	
3	A-130115	Complete cylinder (3000, 3500 lb) 16.25" circumference	
NP	A-130300	Seal kit for A-130113	--
	A-130301	Seal kit for A-130114	
	A-130302	Seal kit for A-130115	
NP	A-130306	Key for service of A-130113 with A-130300	--
	A-130307	Key for service of A-130114 with A-130301	
	A-130308	Key for service of A-130115 with A-130302	

Contact Anthony customer service to determine proper seal kit fitment.

# Cart Stops & ARR Platform Option Service Parts



Included but not pictured: Items 1,2,3,4,5,7,8,9 on street side

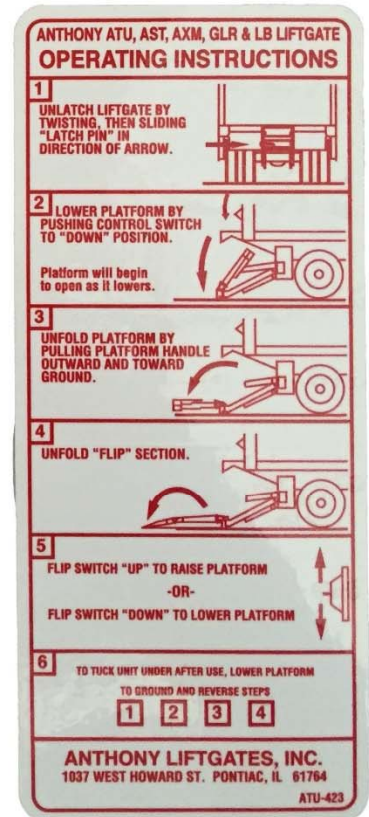
CS-1000

<b>Aluminum Cart Stop Service Parts (Ref. CS-1000)</b>			
<b>Item</b>	<b>Part No.</b>	<b>Description</b>	<b>Qty</b>
1	A-150903	Latch Hook	2
2	A-150904	1.25" Compression Spring	2
3	6608	5/16" - 18 x 1" Hex Bolt	4
4	862	5/16" - 18 Lock Nut	2
5	6611	5/16" Lock Washer	2
6 (NS)	A-132099	6/16" - 18 Threaded Insert	4
7	A-150910	Spring Stem	2
8	A-150911	3.5" Compression Spring	2
9	A-132031	5/16" - 18 x .75" Button Head Allen Bolt	2
10	A-140257	Clamp Bar	1
11	AR-18-66	5/16" - 18 x 1.25" FH Bolt	2
12	A-150908	RH Bracket Weldment	1
13	A-150909	LH Bracket Weldment	1
14	A-140263	RH Flipper	1
15	A-140264	LH Flipper	1

<b>Cart Stop &amp; Retention Ramp Service Kits</b>			
<b>Item</b>	<b>Part No.</b>	<b>Description</b>	<b>Qty</b>
Optional	A-140079	Cart Stop, Steel, Curbside	--
	A-140035	Cart Stop, Steel, Streetside	--
	A-140270	Cart Stop, Aluminum, Curbside Kit (Contains 1,2,3,4,5,7,8,9,14)	--
	A-140271	Cart Stop, Aluminum, Streetside Kit (Contains 1,2,3,4,5,7,8,9,15)	--
NP	ATU-930	12" Aluminum Retention Ramp Kit with Hardware (for 80" x 48" + 12" ARR Platform)	--



# Decals



AST & ATU Replacement Decal Kits			
Item	Part No.	Description	Qty.
--	ATU-953	Decal Kit - 1500 lb models	1
	ATU-954	Decal Kit - 1800 lb models	
	ATU-955	Decal Kit - 2000 lb models	
	ATU-956	Decal Kit - 2500 lb models	
	ATU-957	Decal Kit - 3000 lb models	
	ATU-958	Decal Kit - 3500 lb models	

**ANTHONY**  
LIFTGATES, INC.®

**AST - ASTL - ATU**



**ANTHONY LIFTGATES, INC.**  
**1037 W. HOWARD ST. • P.O. BOX 615**  
**PONTIAC, IL 61764-0615**  
**PH: 815-842-3383**  
**FAX: 815-844-3612**  
**TOLL FREE: 800-482-0003**  
**WWW.ANTHONYLIFTGATES.COM**