

**ANTHONY**  
LIFTGATES, INC.®

**ALB**



## INSTALLATION, OPERATION, AND PARTS

**MODELS - BED HEIGHT**

ALB-1500	UP TO 46"
ALB-1500-G	
ALB-1500A-G	
ALB-1500-TR	



**QUALITY, RELIABILITY, CUSTOMER SERVICE**

**MADE IN THE USA** 



# Contents

<b>1. General Information Section</b>	<b>6</b>
1.1 Introduction	6
1.2 Technical Data	6
1.3 Safety	6
1.4 Product Support	6
1.5 Installation Recommendations	6
<b>2. Safety Section</b>	<b>7</b>
2.1 Safety is Your Responsibility	7
2.2 Safety Signal Words	7
2.3 Safety Rules	7
2.4 Safety Icons Nomenclature	9
2.4.1 Personal Protection/Important Information	9
2.4.2 Prohibited Actions	9
2.4.3 Hazard Avoidance	9
<b>3. Nomenclature</b>	<b>10</b>
<b>4. General Information</b>	<b>11</b>
4.1 Warranty	11
4.2 Decals	11
4.3 Ordering Parts	11
<b>5. Installation Section</b>	<b>12</b>
5.1 Unpackaging	12
5.2 Tools Required	12
5.3 Prior to Installation	13
5.4 Installation Procedure	13
5.5 Liftgate Wiring Diagram	20
5.6 Mounting to a Utility Body	21
<b>6. Optional Component Installation</b>	<b>23</b>
6.1 Folding Step	23
6.2 Taillights	23
6.3 Cable Lug Installation	24
6.4 Attaching the Power Cable to Truck Frame	24
6.4.1 Clip or Tie Wrap Installation Method	25
6.4.2 Bolt-On Method	25
6.5 Direct Battery Connection Option	25
6.6 Cut-Off Solenoid Connection Option	26
6.7 Cut-Off Switch Connection Option	26
<b>7. Decals</b>	<b>27</b>
<b>8. Final Inspection Checklist</b>	<b>30</b>
<b>9. Operation Section</b>	<b>31</b>
9.1 General Safety Operating Instructions	31
9.2 Operating Instructions	32
<b>10. Maintenance Section</b>	<b>33</b>
10.1 Monthly Inspection	33
10.2 Maintenance and Troubleshooting Procedures	33
10.2.1 Replacing the Fuse	33
10.2.2 Checking Motor Start Solenoid and Power Cut-off Solenoid	34
10.2.3 Checking the Power Cable	34
10.2.4 Checking Cylinder Piston Seals (drifting - caused by seal leakage)	34
10.2.5 Checking Flow Control Valve	34
10.2.6 Checking Control Switch Fuse	35
10.3 Troubleshooting Chart	36
10.4 Inspection Record	38

<b>11. Limited Warranty</b> .....	<b>39</b>
11.1 Limited Warranty .....	39
11.2 Warranty Policy and Procedure .....	39
<b>12. Parts Section</b> .....	<b>40</b>
12.1 Locking Mechanism Assembly Parts .....	40
12.2 Lifting Mechanism Assembly Parts .....	41
12.3 Linkage Assembly Parts .....	42
12.4 Platform Assembly Parts .....	43
12.5 Hydraulic Components .....	44
12.6 Liftgate Mounting Parts .....	45
12.7 Decals .....	46

### Attention!

The success or failure of this equipment could very well depend on the proper installation of the liftgate. Read and understand the contents of these instructions before proceeding!

### Important!

When installed, this liftgate must not alter or prevent vehicle compliance to any existing state or federal standards and especially FMVSS 108. Each chassis manufacturer's recommendations should be consulted for compliance.

### Note to Installers

Read the operating instructions and maintenance guide before installing the unit to familiarize yourself with its operation.

### Important Operation Notes

A platform restraining system may be needed to retain certain types of cargo on the liftgate platform, such as a cart stop, straps, etc. This should be considered by the purchaser for their particular application to prevent the possibility of severe personal injury or death due to cargo shifting and/or falling from the liftgate platform.

All users of this liftgate must be at least 18 years old and have read and understood all operation instructions and safety decals before use.

### Model Information

Please record the serial number, model number, and date of installation for easy reference when contacting Anthony Liftgates with questions.

Serial Number Information	
Serial No.	
Model No.	
Date of Installation	



Serial Number Identification Plate.

# 1. General Information Section

## 1.1 Introduction

Congratulations on selecting an Anthony Liftgates ALB liftgate. Our liftgates are the finest available on the market today. To ensure your liftgate will perform to your expectations, we have provided this Installation, Operation, and Parts manual. This manual is designed to provide you with the necessary instructions, safety precautions, and parts information to install, operate, and maintain the L-501 liftgates.



Anthony Liftgates ALB Liftgate.

## 1.2 Technical Data

This manual provides easy to follow instructions, along with photos and illustrations of the liftgate. We have also included a series of tips, which will help facilitate the installation process. Safety precautions have been clearly identified throughout each section of this manual and must be followed.

## 1.3 Safety

In addition, a complete explanation of the safety terminology and recommendations are included in "2. Safety Section" on page 7 of this manual. Please turn to this section and read it thoroughly before proceeding to the next page.

## 1.4 Product Support

At the bottom of each page is the Product Support phone number. If you are unclear about any of the instructions, please phone the Anthony Liftgates' Product Support department.

All Anthony ALB liftgates are factory assembled, energized, and tested to ensure the highest quality performance standards. ALB liftgates are shipped completely assembled for fast, clean, and easy installation.

## 1.5 Installation Recommendations

Our liftgates should only be installed by skilled people with the knowledge to understand the installation and operation process. Due to the wide variety of applications and truck frames, these instructions provide a typical installation process. The installation is for a new or structurally sound pick-up truck body. If the condition of the truck body is questionable, consult Anthony Liftgates before installation.

### **Do not install this liftgate on a composite bed.**

No instruction can replace a qualified person with the technical knowledge that must be used when installing the liftgate. Refer to "5. Installation Section" on page 12 for detailed installation instructions.

We urge the installer (or anyone else) to call us if you have any questions. Our qualified personnel can help answer your questions concerning operation, troubleshooting, or to correct/repair any normal problem that may be encountered.

If you have any concerns or questions, call us at:

**Anthony Liftgates, Inc.**  
1037 West Howard Street  
Pontiac, Illinois 61764  
(815) 842-3383 or 800-482-0003  
[www.anthonyliftgates.com](http://www.anthonyliftgates.com)

## **WARNING**



**The safe and efficient operation of the liftgate will depend on proper installation. Failure to read, understand, and follow the instructions and safety recommendations in this manual can result in serious injury or death.**

**Make sure the weight of the liftgate and its payload will not overbalance the truck, possibly raising the front wheels off the ground.**

## 2. Safety Section

### 2.1 Safety is Your Responsibility



It is the responsibility of the installer/operator to understand and perform proper operating procedures. Be aware of the inherent dangers in the use of this product and the tools used to install it. Read and understand all Danger, Warnings, Cautions, and Important Notices in this manual and on the liftgate or truck.

### 2.2 Safety Signal Words



This is the safety alert symbol. It is used to alert you to potential personal injury hazards. Obey all safety messages that follow this symbol to avoid possible injury or death.

This manual contains DANGERS, SAFETY INSTRUCTIONS, CAUTIONS, IMPORTANT NOTICES, and NOTES which must be followed to prevent the possibility of improper service, damage to the equipment, personal injury, or death. The following key words call the readers' attention to potential hazards.

Hazards are identified by the "Safety Alert Symbol" and followed by a signal word such as "DANGER", "WARNING", or "CAUTION".

#### **DANGER**

Indicates an imminently hazardous situation which, if not avoided, will result in death or serious injury. This signal word is limited to the most extreme situations.

#### **WARNING**

Indicates a potentially hazardous situation which, if not avoided, could result in death or serious injury.

#### **CAUTION**

Indicates a potentially hazardous situation which, if not avoided, may result in minor or moderate injury.

#### **NOTICE**

*Indicates that equipment or property damage can result if instructions are not followed.*

#### **SAFETY INSTRUCTIONS**

Safety instructions (or equivalent) signs indicate specific safety-related instructions or procedures.

**Note:** Contains additional information important to a procedure.

### 2.3 Safety Rules

Accidents can often be avoided by being alert and recognizing potentially hazardous situations. Any individuals installing, operating, repairing, or maintaining products manufactured by Anthony Liftgates should have the necessary training, skills, and tools required to perform these functions properly and safely. The safety information in this manual serves as a basic guide in an attempt to prevent injury or death.

Anthony Liftgates cannot anticipate every possible circumstance that might involve a potential hazard. The warnings in this manual and on the product itself are, therefore, not all-inclusive. If tools, procedures, work methods, or operating techniques that are not specifically mentioned by Anthony Liftgates are used, you must satisfy yourself that they are safe for you and for others. Make sure the liftgate or truck it is mounted onto will not be damaged or made unsafe by any operation, lubrication, maintenance, or repair procedures that you choose.

DO NOT proceed, if any doubt arises about the correct or safe method of performing anything found in this or other Anthony Liftgates' manuals. Seek out expert assistance from a qualified person before continuing.

#### **WARNING**



To avoid personal injury or death, carefully read and understand all instructions pertaining to the Anthony Liftgates product. Do not attempt to install, operate, or maintain our product without fully understanding all of our instructions and safety recommendations. Do not operate or work on a truck or liftgate unless you read and understand the instructions and warnings in the Installation and Operation manual. If any doubt or question arises about the correct or safe method of performing anything found in this or other Anthony Liftgates' manuals, contact your Anthony Liftgates' dealer or call the Inside Sales and Service representatives at our main headquarters. Proper care is your responsibility.

## **⚠ DANGER**



To prevent serious bodily injury, keep sparks, lighted matches, and open flames away from the top of the battery, because battery gas can explode. Always follow all the manufacturers' safety recommendations when working around the truck's battery.



Take precautions to avoid sparks coming into contact with the truck's fuel tank, brake lines, or other flammable components. Sparks can cause an explosion of combustible materials, resulting in serious injury or death.



Never secure the power cable to anything which allows it to contact sharp edges, other wiring, the fuel tank, fuel lines, brake lines, air lines, exhaust system, or any other object that could cause the power cable to wear or be damaged. A cut battery cable can cause sparks resulting in loss of vehicle control, serious injury, or even death.

## **⚠ WARNING**



If required for installation, always use a cutting torch in a well ventilated area and, if in an enclosed area, vent the fumes to the outside. Breathing the smoke and fumes can cause serious injury.



Always follow all State and Federal health and safety laws and/or local regulations when using a cutting torch. Also, follow all manufacturer's safety guidelines. If other people are present during the installation of the liftgate, make sure they remain clear of the cutting area.



To avoid eye injury, always wear eye protection with the proper lens to protect your eyes.



Failure to prevent the truck from moving during the installation of the liftgate could result in a serious crushing injury.



Do not work under the liftgate while it is suspended from the lifting equipment. Failure of the lifting equipment could cause serious crushing injuries. Do not remove the lifting equipment until the liftgate is completely bolted onto the truck frame.



To prevent personal injury, clean up any spilled fluids immediately. To avoid tripping, do not leave tools or components laying around in the work area.

## **⚠ CAUTION**



Anthony Liftgates recommends not riding the liftgate, however, if the delivery operation requires it, make sure your footing is stable before raising or lowering platform. Always stand away from the edge. When on the ground, always stand clear of liftgate when it is operating.



Always use/set the truck's parking brake before operating the liftgate. Failure to follow this recommendation can result in injury.



Do not place hands or feet in pinch points.



Do not place your feet under the liftgate.

## **SAFETY INSTRUCTIONS**



To prevent injury, the liftgate and its related components should only be installed by a qualified installer. They should have knowledge and skill in using lifting equipment and a cutting torch.



To prevent possible injuries due to improper operation, make sure all decals are attached to the liftgate and/or truck and are legible at all times.



## 2.4 Safety Icons Nomenclature

This manual and the equipment has numerous safety icons. These safety icons provide important operating instructions which alert you to potential personal injury hazards.



Fall hazard



Crush hazard (foot)

### 2.4.1 Personal Protection/Important Information



Read the manual



Use proper tools



Use two people when lifting heavy objects



Weight rating



Eye protection



Breathing protection



Set parking brake

### 2.4.2 Prohibited Actions



No smoking



No open flame

### 2.4.3 Hazard Avoidance



Slipping injury



Tripping injury



Safety alert symbol



Explosion hazard



Pinch point hazard



Explosion hazard



Dangerous fumes



Adequate ventilation

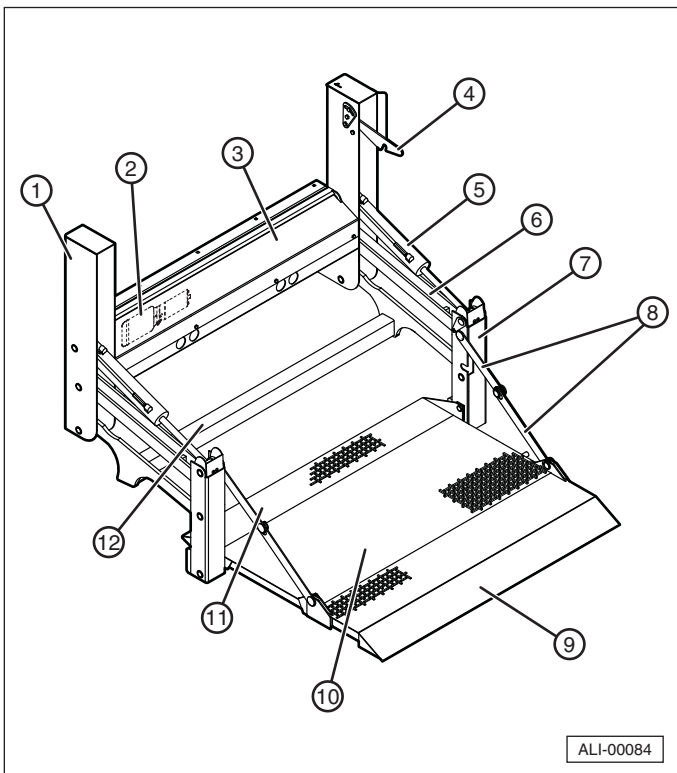


Crush hazard



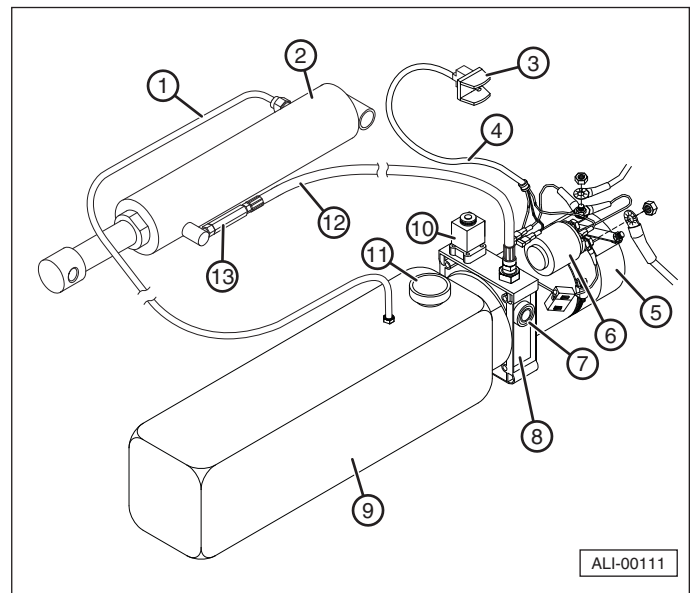
Crush hazard (chock wheels)

### 3. Nomenclature



Platform nomenclature.

Item	Description
1	H-Frame
2	Hydraulic Pump & Reservoir
3	Hydraulic Housing Cover
4	Lock Arm
5	Hydraulic Cylinder
6	Cylinder Link
7	Moving Post
8	Platform Links
9	Platform Foldover Section
10	Main Platform Section
11	Rear Platform Section
12	Cross Arm



Power Unit Nomenclature.

Item	Description
1	Breather Tube
2	Hydraulic Cylinder (attached to H-Frame and moving post)
3	Control Switch (located on curbside H-Frame)
4	Control Switch Wiring
5	Electric Motor
6	Motor Start Solenoid
7	Adjustable Relief Valve (factory preset)
8	Hydraulic Pump
9	Reservoir
10	Lowering Valve Cartridge & Solenoid
11	Fill Port & Breather Cap
12	High Pressure Hose
13	Flow Control Valve

## 4. General Information

### 4.1 Warranty

#### NOTICE

*The liftgate must be installed according to the instructions in this manual or the warranty will be void. Unauthorized modifications of the liftgate may cause it to improperly operate or cause other unforeseen problems or dangers. If any deviation is deemed necessary, written permission must first be obtained from Anthony Liftgates.*

To validate the warranty, register your liftgate online at [www.anthonyliftgates.com](http://www.anthonyliftgates.com).

Before calling for warranty or other product information, have the serial number, model number, and lift capacity of your liftgate available. This information is stamped into the identification plate on the lower right side of the liftgate and will help us verify your warranty information and your specific liftgate.



Serial Number Identification Plate.

Refer to “11. Limited Warranty” on page 39 for the complete warranty statement.

### 4.2 Decals

#### WARNING



**To prevent personal injury from not being aware of safety recommendations, make sure all decals are attached to the liftgate and/or truck and are legible at all times!**

Safety decals provide a vital role in helping reduce injury and/or death. To ensure the greatest level of safety, all decals must be attached to the liftgate and be legible at all times. Remember, it is the users' responsibility to maintain these decals. For decal placement, or a complete part number list and illustration of the decals used on the liftgate, refer to “7. Decals” on page 27 in this manual.

For replacement decals contact:

**Anthony Liftgates, Inc.**  
1037 West Howard Street  
Pontiac, Illinois 61764  
(815) 842-3383 or 800-482-0003  
[www.anthonyliftgates.com](http://www.anthonyliftgates.com)

### 4.3 Ordering Parts

Our high-quality liftgate requires very little maintenance or repair. However, should a part break, become damaged, or wear due to normal operation, our knowledgeable staff can help put your liftgate quickly back into operation. Refer to “12. Parts Section” on page 40 in this manual.

When ordering parts the following information is needed:

1. Model of liftgate.
2. Serial number of liftgate.
3. Part number and description.
4. Quantity of item.

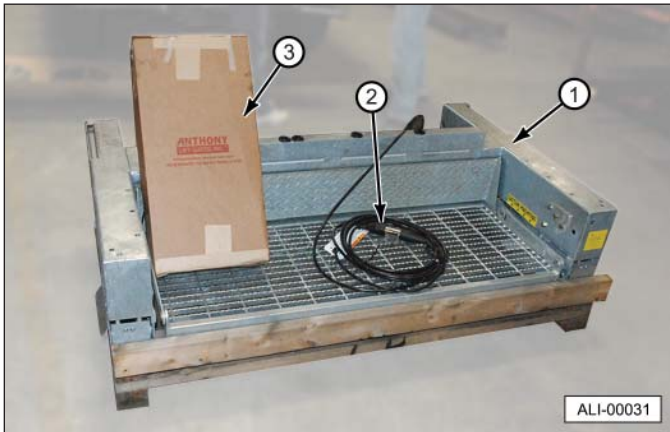
For questions or to order parts, contact:

**Anthony Liftgates, Inc.**  
1037 West Howard Street  
Pontiac, Illinois 61764  
(815) 842-3383 or 800-482-0003  
[www.anthonyliftgates.com](http://www.anthonyliftgates.com)

## 5. Installation Section

### 5.1 Unpacking

Make sure the complete package is received. The liftgate is packaged on one pallet.



1. Pre-assembled Liftgate.
2. Power cable with fuse.
3. Loose parts



Check that the following parts are included

Item	Part Number	Description	Qty.
1	A-150218	Reinforcement Plate	2
2	A-150127-R	Lower Support Bracket - RH	1
3	A-150127-L	Lower Support Bracket - LH	1
4	A-135296	Mounting Strap - RH	1
5	A-135297	Mounting Strap - LH	1
6	A-135089-R	Mounting Strap - Short - RH	1
7	A-135089-L	Mounting Strap - Short - LH	1
8	A-135116	License Plate Holder	1
9	A-150095	Cable Ties	20

Item	Part Number	Description	Qty.
10	A-135087	Strap Washer	2
	A-132085	1/2-13 x 1" Hex Head Cap Screw	10
	A-150065	1/2" Flat Washer	10
	A-150074	1/2" Lock Washer	10
	ATU159	3/8-16 x 1" Carriage Bolt	5
	2054	3/8" Lock Washer	17
	P162	3/8" Hex Nut	17
	A-133073	Ground Cable	1
	A-133008	3/8" Cable Lug	1
	A-133007	1/4" Cable Lug	2
	ATU247	3/8-16 x 1-1/4" Hex Head Cap Screw	6
	2058	3/8" Flat Washer	17
	A-150091	Light Kit	1
	A-132072	#8 x 1-1/2" Stainless Stl Self Drilling Screw	4
	A-135165	Lens Mounting Bracket	2
	5434	5/16-18 x 3/4" Bolt	2
	2019	3/8-16 x 1-3/4" Hex Head Cap Screw	6

### 5.2 Tools Required

The following is a list of suggested tools that should be used to install the liftgate.

- Overhead crane or forklift
- Lifting chain with S hooks, minimum 1000 lb. capacity
- Pipe clamps or ratchet straps
- Tape measure
- Screwdriver
- Level (small, magnetic)
- Drill
- Cable crimping tool
- Wrenches

### 5.3 Prior to Installation

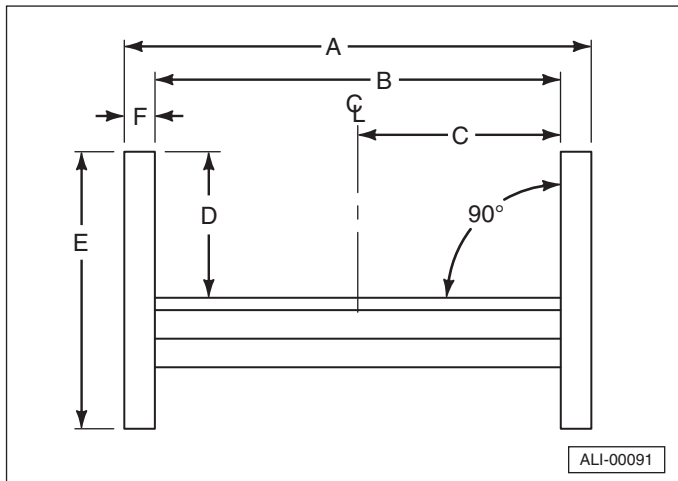
## WARNING



Failure to prevent the truck from moving during the installation of the liftgate could result in serious personal injury or death.

5. Inspect the liftgate. Report any questionable condition to the carrier that delivered the unit.
6. Place the truck on a flat, level surface. Block the wheels and set the parking brake to prevent possible truck movement during liftgate installation.
7. Refer to the illustration and chart below to make sure there is enough clearance to properly install the liftgate.

Liftgate Dimensions						
Model	A	B	C	D	E	F
ALB-1500	61-3/4	52-1/2	26-1/4	19-1/2	36-3/4	4-5/8
ALB-1500-G						
ALB-1500A-G						
ALB-1500-TR						



### 5.4 Installation Procedure

## SAFETY INSTRUCTIONS



Even though the Anthony liftgate is easy to install, the installation should be done with at least two people.

1. Remove the banding securing the liftgate to the pallet.
2. Remove the rear bumper and bumper brackets from the truck. Remove the tailgate, cables, latches, and pivots.



**Tip:** The tail light lens screws must be relocated so they are accessible from the rear of the truck. Use the following steps to relocate the screws. If these steps are omitted, the tail light lens screws will not be accessible once the liftgate is installed.

3. Remove the tail light lens screws from the lenses and pull the tail light assembly away from the truck.
4. In most applications, there will be a lip at the inner edge of the tail light opening. Note the location of this lip and re-install the tail light lens. The holes that are drilled in Step 6 must go through this lip.
5. If there is no lip to secure the lens, use the provided lens mounting bracket A-135165 to form an alternate lip. Bolt the bracket to the existing threaded hole in the tail light compartment using the provided 5/16-18 x 3/4 bolt.



6. Drill two holes through the lens and the lip using a #32 (0.116") drill, to accept the #8 self tapping screws. Make sure these screws will be accessible once the liftgate has been installed.



9. Position the liftgate so the mounting lip of the liftgate is resting on the truck bed and is as far forward as possible.

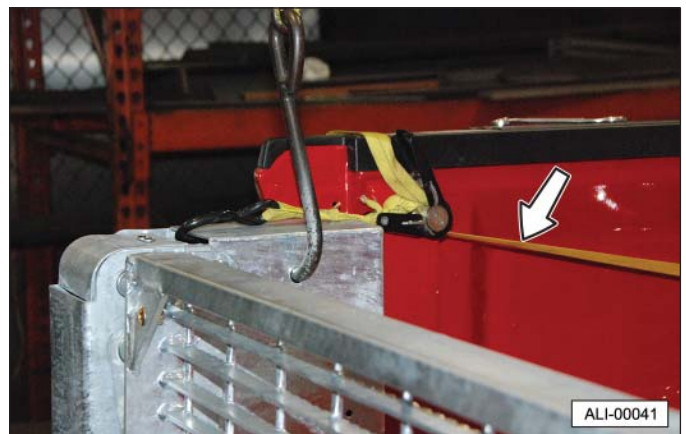


7. To prevent possible cracking, enlarge the holes in the lens only using a #18 (0.170") drill.
8. Using suitable "S" hooks and lifting chain, insert "S" hooks into the 5/8" holes in the liftgate H-frame. Raise the liftgate with a hoist or forklift.

10. Clamp the liftgate securely to the truck bed, using pipe clamps or ratchet straps on each side of the bed. Make sure the liftgate is square to the truck bed. Tighten the clamps or straps so that the liftgate posts are perpendicular to the truck bed.



**Tip:** If the truck bed is not parallel to the ground, the liftgate must be mounted so the liftgate posts are perpendicular to the ground in order for the platform to lay flat on the ground when lowered.



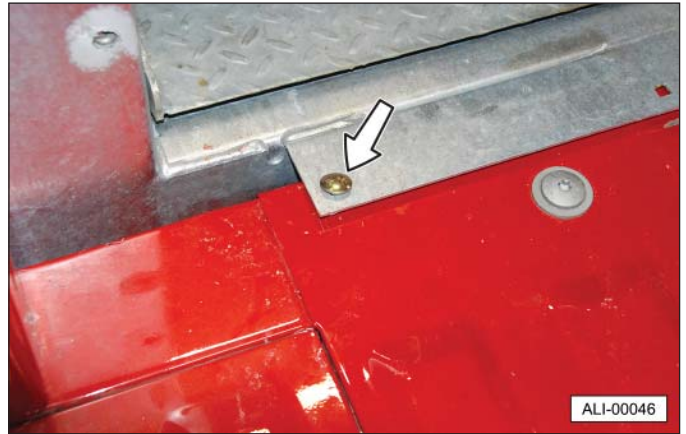
Ratchet strap holding liftgate to truck bed.

11. Check that the liftgate is as far forward as possible and centered. Drill 3/8" clearance holes in the truck bed using the square holes in the liftgate mounting lip as a guide.

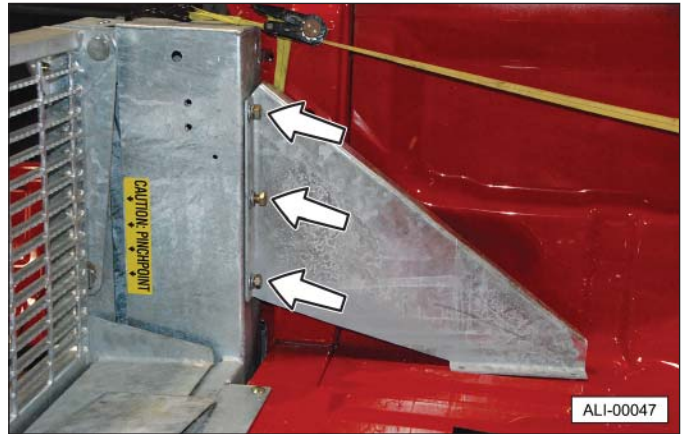


Mark the hole, center punch, and drill.

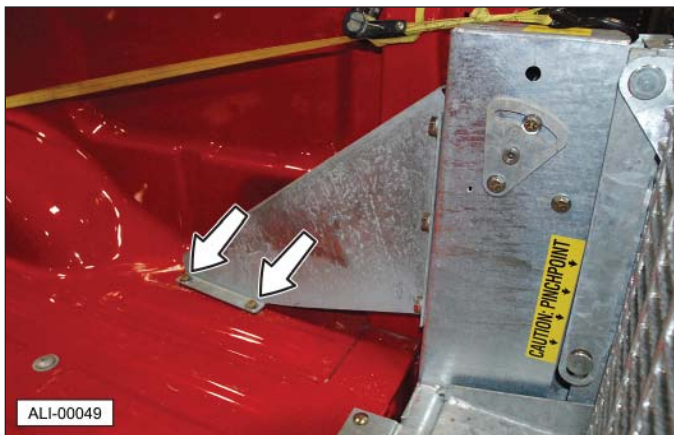
12. Insert five 3/8" x 1" carriage bolts through the square holes and bolt the mounting lip of the liftgate to the truck bed using flat washers, lock washers, and bolts underneath the truck bed.



13. Install the lower support bracket to each liftgate post using three 1/2-13 x 1" bolts, lock washers, and flat washers.







14. Position the liftgate so the lower support bracket is flush to the bed.
15. Using the holes in the lower support bracket as a guide, drill  $3/8$ " clearance holes through the bed.
16. Bolt the lower support bracket through the bed using  $3/8$ "-16 x 1- $3/4$ " bolts. Use the reinforcement plate shown on page 11 under the washers and nuts on the underside of the bed.



**Tip:** The reinforcement plate and/or the lower support bracket may need to be cut to fit some installations. This is acceptable as long as at least two bolts remain on each flange. If it is necessary to cut the parts, use a rust preventive paint or cold galvanizing compound to protect the exposed metal from rust.

**⚠ WARNING**

   Always use a cutting torch in a well ventilated area and, if in an enclosed area, vent the fumes to the outside. Breathing the smoke and fumes can cause serious injury.

 Always follow all State and Federal health and safety laws and/or local regulations when using a cutting torch. Also, follow all manufacturer's safety guidelines. If other people are present during the installation of the liftgate, make sure they remain clear of the cutting area.

 To avoid eye injury, always wear eye protection with the proper lens to protect your eyes.

**Tip:** There are two sets of mounting straps furnished, of different sizes. Use the size that best fits your installation.



17. Install the mounting straps and strap washers to the liftgate post using  $1/2$ -13 x 1" bolts. Do not tighten the bolts yet.



18. Slide the mounting strap to the edge of the bed. Drill through the holes in the mounting strap, through the lip of the bed, and secure the mounting strap with  $3/8$ -16 x 1- $3/4$ " bolts. Tighten the bolts in the liftgate post.





19. Bolt the four rubber bumpers to the corners of the deck using 5/16-18 x 1" bolts.



20. Open the hood and disconnect the truck's battery. Uncoil the power cable and place it away from all moving parts. Refer to the wiring diagram on page 20.



21. Install the 200 Amp fuse assembly within 30" of the truck battery, and in a location that is easily accessible for fuse replacement. Leave enough slack in the cable to connect it to the positive (+) post of the battery.



22. Secure the fuse assembly to a solid surface with wire ties or other suitable fasteners, leaving a minimum of 6" of slack in the cable for changing the fuse.

23. Route the supplied power cable (with attached fuse assembly) along the underside of the truck frame, to the liftgate power supply using only one of these three methods. Secure it at 18" intervals using the supplied cable ties.

**⚠ DANGER**

**⚠ Never secure the power cable to anything which allows it to come into contact with sharp edges, other wiring, fuel tank, fuel lines, brake lines, air lines, exhaust system, or any other object that could cause the power cable to wear or become damaged. A direct short in the battery cable can result in loss of vehicle control, serious injury, or even death.**



### Direct Battery Connection

This method is not recommended because it allows the unauthorized use of the liftgate when the truck is unattended. Refer to “6.5 Direct Battery Connection Option” on page 25.

### Cut-Off Solenoid Connection

To prevent unauthorized use, use “6.6 Cut-Off Solenoid Connection Option” on page 26.

### Cut-Off Switch Connection

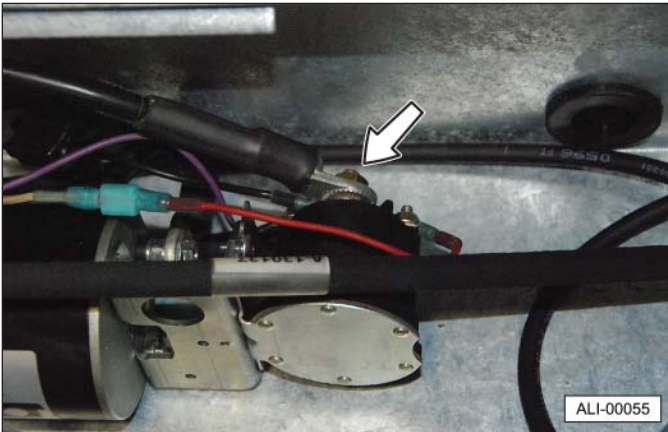
To prevent unauthorized use, use “6.7 Cut-Off Switch Connection Option” on page 26.

## WARNING



Anthony Liftgates strongly recommends the installation of a power cut-off solenoid (“6.6 Cut-Off Solenoid Connection Option” on page 26) or cab cut-off switch (“6.7 Cut-Off Switch Connection Option” on page 26). Allowing power to the liftgate when the truck is unattended can result in serious injury or death.

24. Cut the power cable to length, strip the end, and crimp on a connecting lug per “6.3 Cable Lug Installation” on page 24. Connect the power cable to the pump solenoid post marked “BAT”. Use the remaining cable and supplied lugs to ground the pump to the truck’s chassis.



25. Using the supplied ground cable, ground the truck battery to the frame.

## NOTICE



*The liftgate must be properly grounded. A ground wire, the same gauge or larger as the liftgate power cable, must be connected from the negative post of the battery or batteries to the truck’s frame. If the truck is properly grounded, no further action is required. If the truck is not properly grounded, add a ground wire.*

*If this recommendation is not followed, damage to the truck may occur. Improper grounding can cause the electrical current to travel through brake lines, steel braided power steering hoses, or other chassis wiring causing failure to these components! Failure of these components could result in loss of vehicle control.*

26. Install the provided license plate bracket on the streetside H-frame using two 5/16-18 x 3/4” bolts. Install the truck license plate on the bracket.



27. Replace the license plate lights with the provided lights by splicing into the existing harness. Install the license plate lights into the holes in the bottom of the pump reservoir compartment. Be certain to get all the prongs on the light socket through the hole.



## NOTICE

*To prevent a blown fuse, make sure the truck battery is disconnected before cutting the wires to the license plate lights.*

28. Lower the liftgate to the ground and check hydraulic fluid level by removing the pump reservoir compartment cover. The level should be approximately 1/2" below the top of the hydraulic reservoir. If the fluid level is low, fill to the proper level with Mobil DTE-13, Pennzoil AWX, or Dexron II automatic transmission fluid.

**Note:** Checking the hydraulic fluid level while the liftgate is raised will result in overfilling.



## CAUTION

Do not mix hydraulic fluid with brake fluid, and do not use brake fluid in place of hydraulic fluid.

29. Discard the shipping plug in the hydraulic fluid reservoir and replace with the supplied breather cap.



**Tip:** Certain models may already have a leak-proof breather cap in place. If so equipped, it is not necessary to replace the shipping plug.

30. Install the provided safety decals in the locations shown. Refer to "7. Decals" on page 27.

## WARNING



To prevent personal injury from not being aware of safety recommendations, make sure all decals are attached to the liftgate and/or truck and are legible at all times!

Safety decals provide a vital role in helping reduce injury and/or death. To ensure the greatest level of safety, all decals must be attached to the liftgate and be legible at all times. Remember, it is the users' responsibility to maintain these decals. For decal placement, or a complete part number list and illustration of the decals used on the liftgate, refer to "7. Decals" on page 27 in this manual.

For replacement decals contact:

**Anthony Liftgates, Inc.**  
 1037 West Howard Street  
 Pontiac, Illinois 61764  
 (815) 842-3383 or 800-482-0003  
 www.anthonyliftgates.com

31. Complete the items in the Final Inspection Checklist. Refer to "8. Final Inspection Checklist" on page 30.

## WARNING



Anthony Liftgates strongly recommends the installation of a power cut-off solenoid ("6.6 Cut-Off Solenoid Connection Option" on page 26) or cab cut-off switch ("6.7 Cut-Off Switch Connection Option" on page 26). Allowing power to the liftgate when the truck is unattended can result in serious injury or death.

32. Check the operation of the liftgate:

- Make sure the platform will travel through a complete cycle, up and down, smoothly and freely, with the platform completely open.
- Make sure the platform will fold and latch securely in the stored position. The liftgate must fold smoothly and freely.
- Make sure hydraulic hose fittings are tight and the hydraulic hose does not rub against the liftgate or other parts while cycling up or down, or being opened or closed. Adjust as necessary by loosening fittings and adjusting the position of the hose(s). Retighten fittings.



## 5.5 Liftgate Wiring Diagram

ALI-00089

LEAVE SLACK IN CABLE.  
NEEDED WHEN REPLACING FUSE

NO LESS THAN  
6" OF SLACK

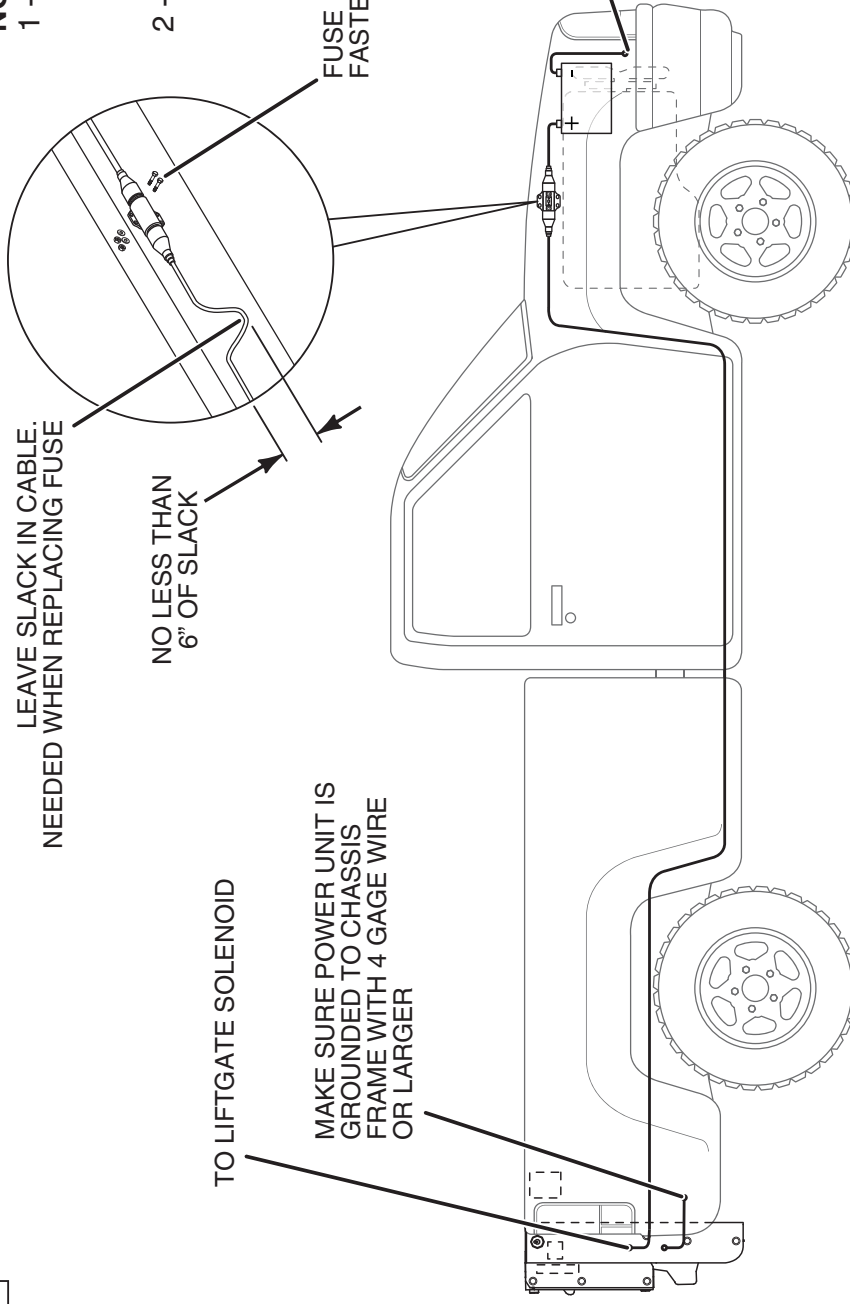
**NOTE:**

- 1 - Fuse should be placed in an easily accessible location within 30" of the battery.
- 2 - Leave a minimum of 6" of slack in the cable for replacing fuse.

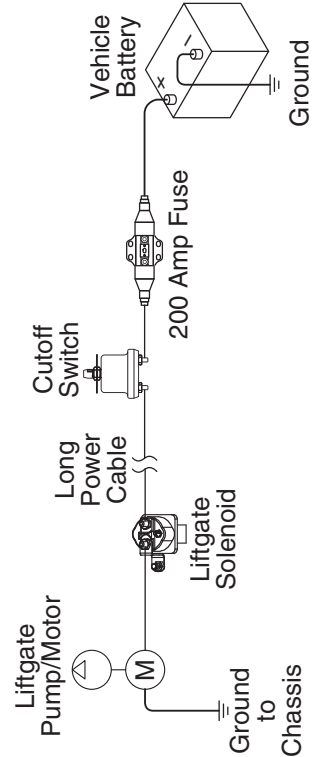
TO LIFTGATE SOLENOID  
MAKE SURE POWER UNIT IS  
GROUNDED TO CHASSIS  
FRAME WITH 4 GAGE WIRE  
OR LARGER

FUSE HOLDER SECURED WITH  
FASTENERS. (2 PLACES)

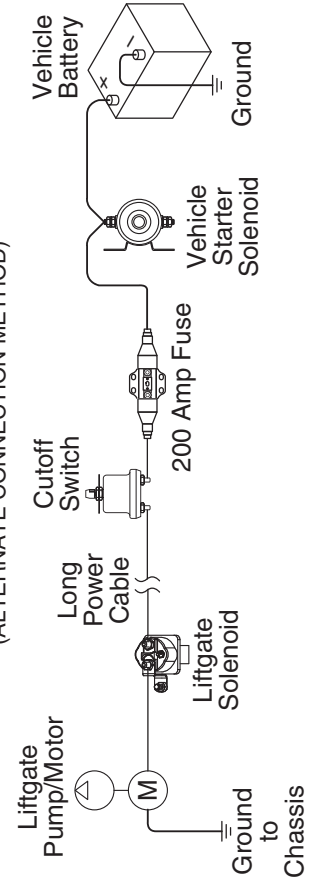
MAKE SURE BATTERY IS  
GROUNDED TO CHASSIS  
FRAME WITH 4 GAGE WIRE  
OR LARGER



### CONNECTION TO VEHICLE BATTERY



### CONNECTION TO VEHICLE SOLENOID (ALTERNATE CONNECTION METHOD)



## 5.6 Mounting to a Utility Body

Utility Body Mounting Hardware Package A-135161 is required. Check that the following parts are included.

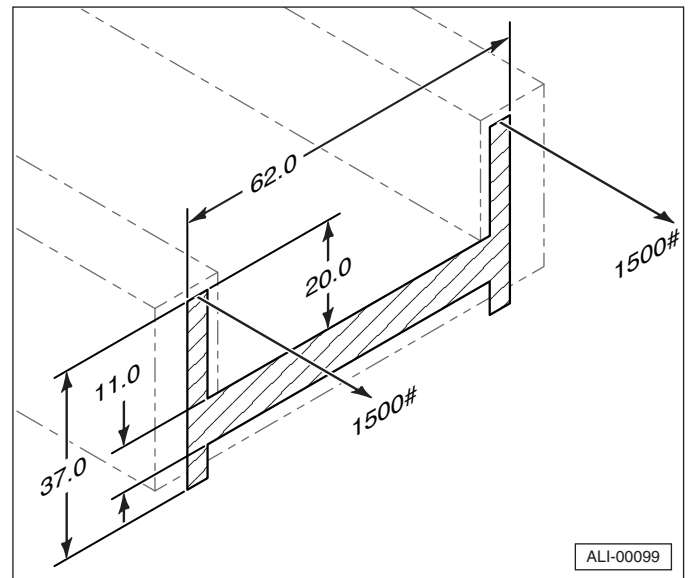
Part Number	Description	Qty.
A-135110	Utility Body Mounting Bracket	2
A-135111	Utility Body Mounting Bracket Backer	4
A-132085	1/2-13 x 1" Hex Head Cap Screw	6
A-150065	1/2" Flat Washer	6
A-150074	1/2" Lock Washer	6
ATU159	3/8-16 x 1" Carriage Bolt	5
A-15109	3/8-16 x 1-1/2" Hex Head Cap Screw	8
2054	3/8" Lock Washer	13
P162	3/8" Hex Nut	13
ATU247	3/8-16 x 1-1/4" Hex Head Cap Screw	2
2058	3/8" Flat Washer	15
A-133073	Ground Cable	1
A-150095	Cable Tie	20
A-133008	3/8" Cable Lug	1
A-133007	1/4" Cable Lug	2
A-133091	200 Amp Fuse Assembly	1
A-135116	License Plate Holder	1
A-150091	Light Kit	1
A-133063	200 Amp Fuse	1

### WARNING



The utility body must be of sufficient strength to withstand the forces the liftgate will put on it. The body must be capable of withstanding a 1500 pound pull, 20 inches above the truck floor. Reinforce as needed. A structural failure of the utility body can allow the load to fall, causing serious injury or death.

1. Remove the tailgate and all hardware that will interfere with the placement and mounting of the liftgate. The liftgate footprint must be clear of the tailgate, hinges, latches, and other obstructions that would prevent the liftgate from locating against the back of the truck body.



Liftgate mounting footprint.

2. Bolt the utility body mounting brackets to the liftgate posts using 1/2-13 x 1" bolts, lock washers and flat washers through the slotted holes. Do not tighten the bolts until the liftgate is centered. Adjust the brackets so they will be flush to the inside of the utility body side walls when the liftgate is centered in the opening. With the liftgate centered in the bed opening, tighten the bolts securing the brackets to the posts.

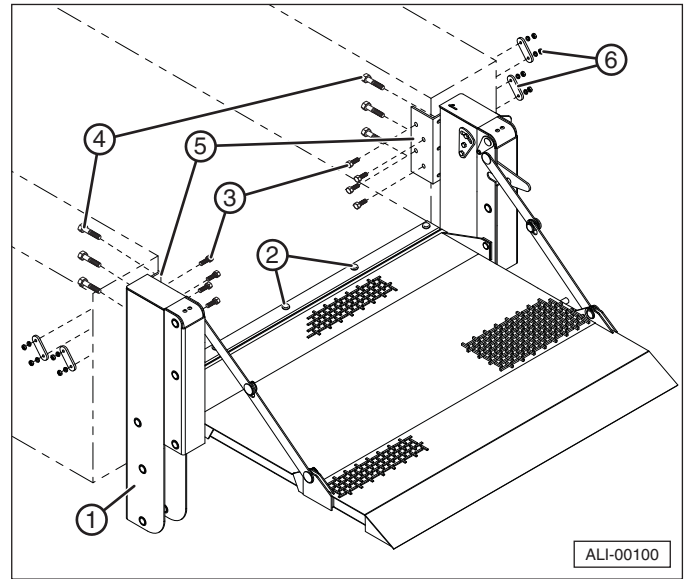


Utility Body Mounting Brackets.



Utility Body Mounting Bracket Backers.

3. Push the liftgate into the truck bed and assure the liftgate is resting on the truck floor and the posts are against the utility body. Make sure the mounting brackets are snug to the inside of the body walls. If they are not, repeat Step 2.
4. Bolt the mounting lip of the liftgate to the truck bed by drilling 3/8" holes in the truck bed using the square holes in the lip as guides. Place five 3/8-16 x 1-3/4" carriage bolts through the square holes and the truck bed. Secure with flat washers, lock washers, and nuts from underneath the truck bed.
5. Make sure the H-frame posts are square with the floor of the bed and parallel to each other. The H-frame posts must be parallel and square to prevent binding, rough operation and unequal raising and lowering of the platform. Adjust if necessary. Once the H-frame has been adjusted, drill 3/8" holes through the brackets and the body walls. Bolt the liftgate to the body walls using four 3/8-16 x 1-1/2" bolts and flat washers on each bracket inside the truck bed. Use the bracket backer plates, 3/8-16 nuts, and lock washers inside the body.



Liftgate mounting diagram.

Item	Description	Qty.
1	H-frame	1
2	3/8-16 x 1-3/4" Carriage Bolt	5
3	3/8-16 x 1-1/2" Hex Head Cap Screw	8
4	1/2-13 x 1" Hex Head Cap Screw	6
5	Utility Body Mounting Bracket	2
6	Utility Body Mounting Bracket Backer Plates and 3/8-16 Nuts and Lock Washers	4

6. Complete the remainder of the installation according to Steps 19 - 32 in section "5.4 Installation Procedure" on page 13.

## NOTICE

*The H-frame posts must be parallel to each other and square with the floor of the bed to prevent binding, rough operation, and unequal raising and lowering of the deck.*

**Tip:** The bracket backer plates may have to be cut to fit the configuration of the body interior.

## 6. Optional Component Installation

### 6.1 Folding Step

1. The optional folding step kit contains the step, mounting bolts, lock washers, and flat washers..



2. Bolt the step to the threaded mounting holes provided in the liftgate. Make sure the textured surface of the step faces up.



### 6.2 Taillights

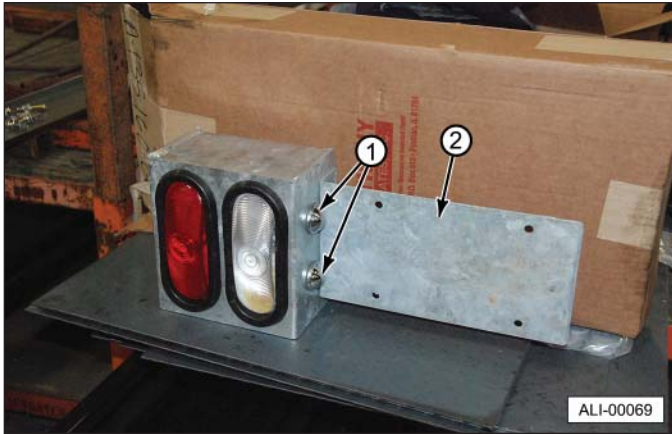
The optional taillight kit mounts to the inside of the liftgate posts.



3. Attach the taillight housing with the 5/16-18 x 1" bolts and lock washers.



- When using the optional taillight kit, install the license plate lights (1) in the provided holes in the left taillight housing. Bolt the license plate bracket (2) to the left taillight housing using the threaded holes.



- Place the rubber light gaskets in the openings and seat over the edge of the housing.

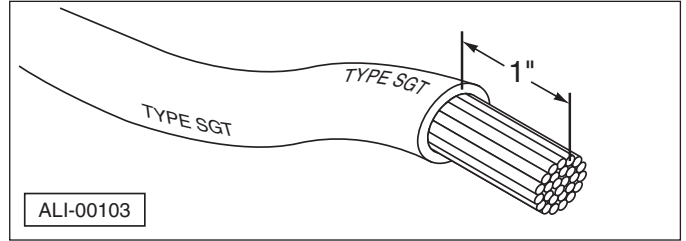


- Press the lights into place and seat firmly. Install the white backup lights in the inner two openings.

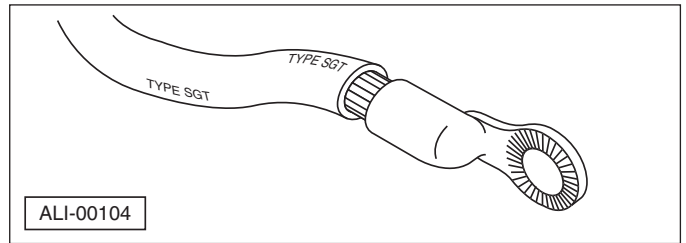


### 6.3 Cable Lug Installation

- Strip insulation one inch back from the end of the cable to expose the copper wire.



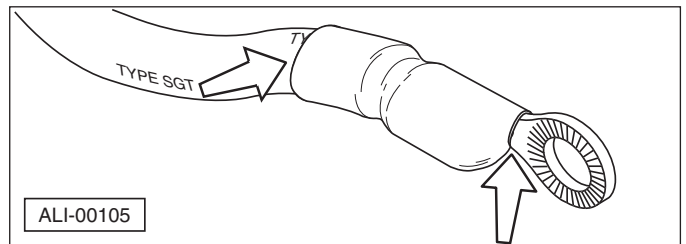
- Position the cable lug on the exposed wire, as shown. Crimp the cable lug using a cable crimping tool (hydraulic or manual).



## NOTICE

*Proper wire connections are crucial to the life of the liftgate's power unit. DO NOT crimp (smash) the cable lug with a hammer to secure it to the cable. Poor connections can result in low voltage, and any attempt to operate below the minimum required voltage could cause system failure.*

- Use the supplied heat shrink tube to insulate the new connection. Heat the shrink tubing using a heat gun or flame until it shrinks around the cable insulation and cable lug, leaving only the mounting hole exposed. Do not overheat the heat shrink tubing.



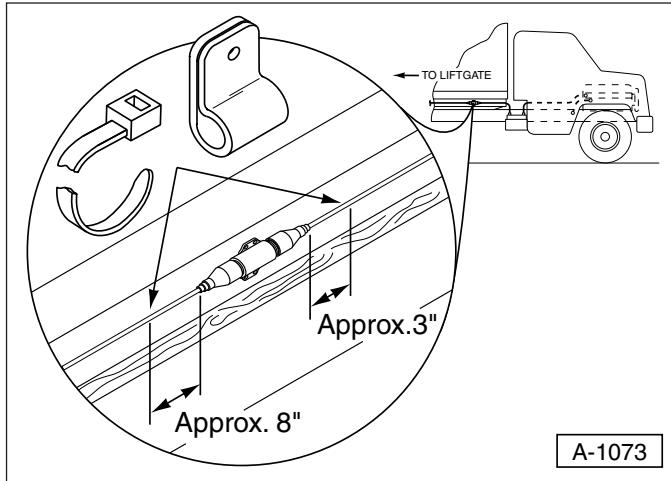
### 6.4 Attaching the Power Cable to Truck Frame

There are several options for attaching the power cable with the plastic fuse assembly. It can be fastened using plastic tie wraps or wire clips. The fuse assembly can also be bolted directly onto the body, if desired.

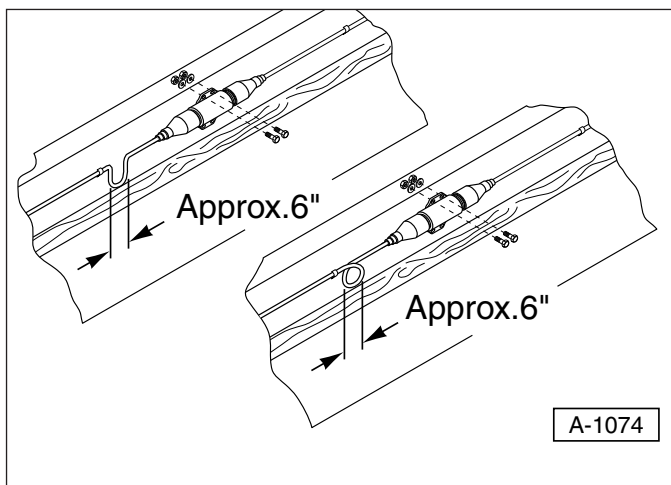


### 6.4.1 Clip or Tie Wrap Installation Method

Fasten the power cable to the truck body. Locate one fastener (battery side) within three inches of the end of the fuse assembly. Locate the other fastener (power unit side) within eight inches of the fuse assembly.



### 6.4.2 Bolt-On Method



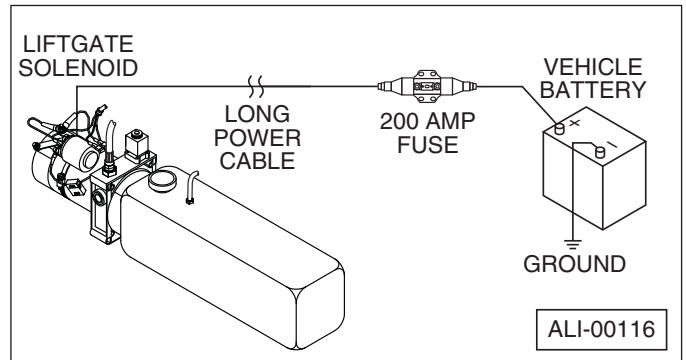
1. Attach the fuse holder to the truck body using #10 or #12 self-tapping screws or bolts, washers, and self-locking nuts.
2. Fasten the power cable, as needed, to properly hold it in place.
3. Using this method requires an extra length of cable on one side of the fuse assembly to permit removal of the fuse.

### 6.5 Direct Battery Connection Option

This method is not recommended because it allows the unauthorized use of the liftgate when the truck is unattended. To prevent unauthorized use, use either "6.6 Cut-Off Solenoid Connection Option" on page 26 or "6.7 Cut-Off Switch Connection Option" on page 26.

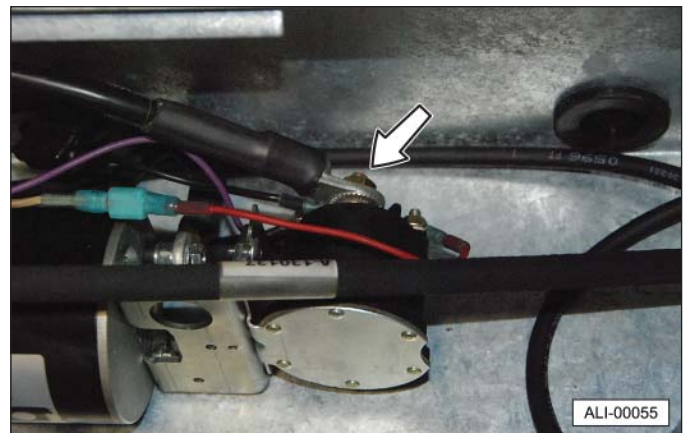
## ⚠ CAUTION

*Using the direct battery wiring connection is not recommended because it does not remove power to the liftgate when the truck is left unattended. A cut-off switch or cut-off solenoid will prevent the unauthorized use of the liftgate when the truck is not in use.*



Power cable connected directly from power unit to battery.

1. Position the fuse assembly near the battery so the short cable end will reach the positive (+) terminal.
2. Attach the fuse holder to the truck body using either "6.4.1 Clip or Tie Wrap Installation Method" on page 25 or "6.4.2 Bolt-On Method" on page 25.
3. Route the long end of the power cable from the fuse to the motor solenoid in the liftgate pump compartment. If the power cable is longer than required, cut it to the desired length and attach a cable lug according to instructions in "6.3 Cable Lug Installation" on page 24.
4. Connect the power cable to the motor solenoid. Make sure the power cable is connected to the correct motor solenoid post (the one not connected to the motor housing with a metal strap or wire cable).



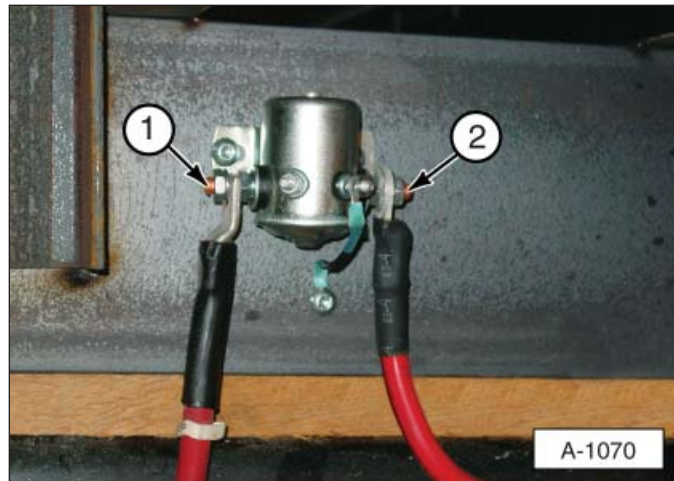
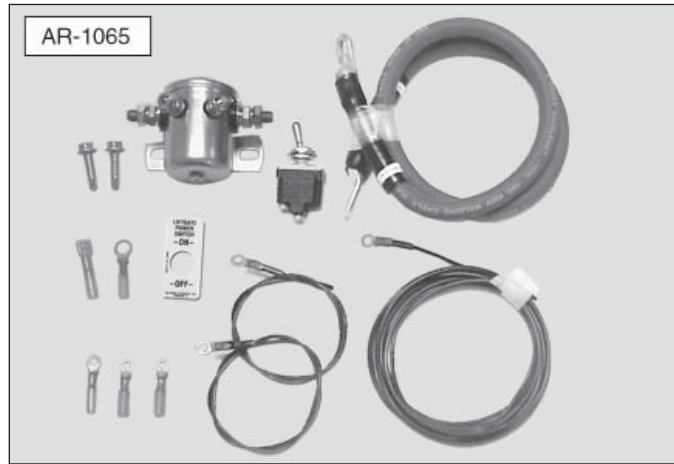
5. Connect the short end of the power cable to the positive post of the battery.
6. The power unit should now be operational.
7. Coat all terminal ends, studs, and nuts with a Teflon lubricant, grease, or other electrical connection sealant to prevent corrosion.

**Tip:** Do not apply undercoating to the fuse holder or the power cable near the fuse holder to ensure easy removal of the rubber boot seals if the fuse needs to be replaced. For fuse replacement, see the instructions in the Maintenance section of this manual "10.2.1 Replacing the Fuse" on page 33.

### 6.6 Cut-Off Solenoid Connection Option

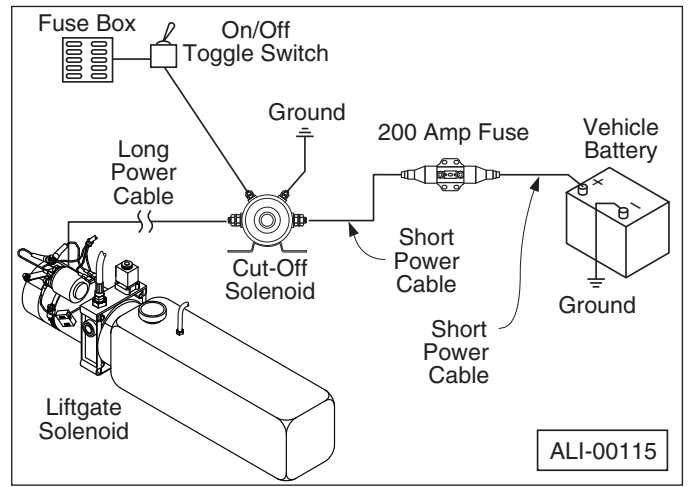
The installation of a cut-off solenoid is one of two recommended options for removing power from the liftgate. Installing a cut-off solenoid will help to prevent accidental or unauthorized use of the liftgate when the truck is unattended.

The optional A-133036 Cut-Off Solenoid Kit (12 Volt) can be used. It requires only a lightweight wire running to the cab—not a large cable as required by the cut-off switch.



Cut-off solenoid installed between battery and fuse assembly. (1) Long cable leading to motor solenoid. (2) Short end of power cable leading to fuse.

Follow the installation directions on the Installation Instruction sheet that comes with the kit.

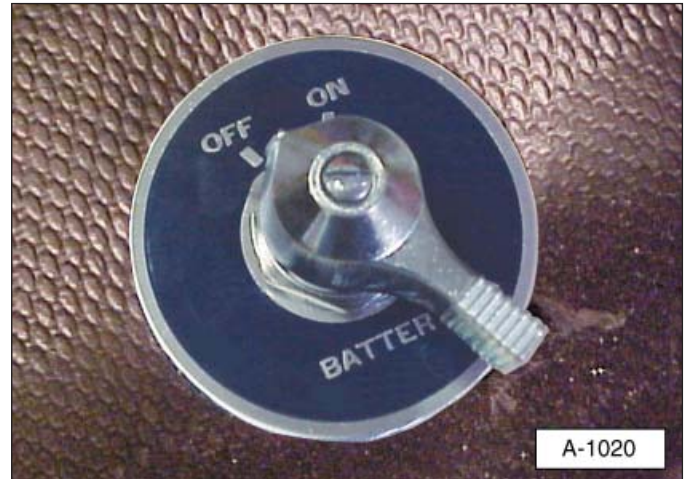


Wiring diagram with cut-off solenoid.

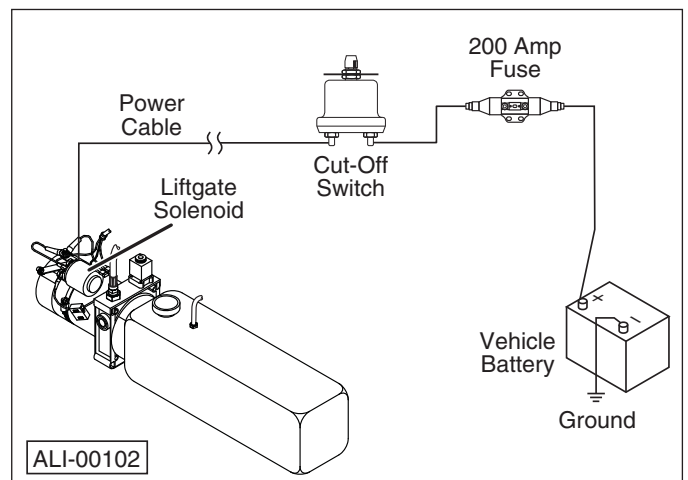
### 6.7 Cut-Off Switch Connection Option

The installation of a cut-off switch is also one of two recommended options. Installing a cut-off switch will help to prevent accidental or unauthorized use of the liftgate. The optional A-133038 Cut-Off Switch Kit (12 Volt) can be used.

Follow the installation directions on the Installation Instruction sheet that comes with the kit.



Cut-off switch mounted in cab of truck.



Wiring diagram with cab cut-off switch.

## 7. Decals

### **CAUTION**



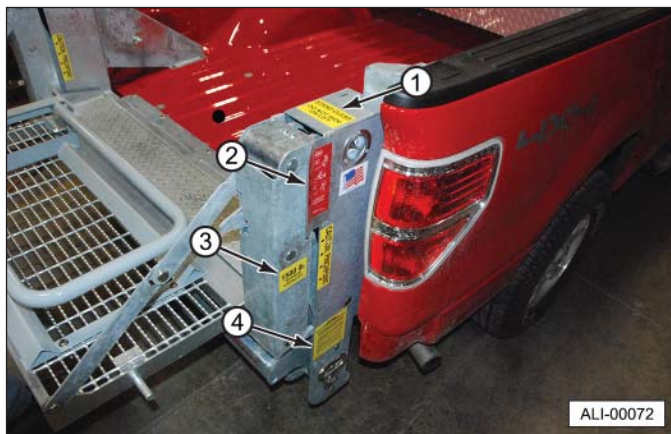
To prevent possible injuries due to improper operation, make sure all decals are attached to the liftgate and/or truck and are legible at all times.

Safety decals provide a vital role in helping to reduce injuries and/or death. To ensure the greatest level of safety, all decals must be in place and legible at all times. Remember, it is the users' responsibility to maintain these decals.

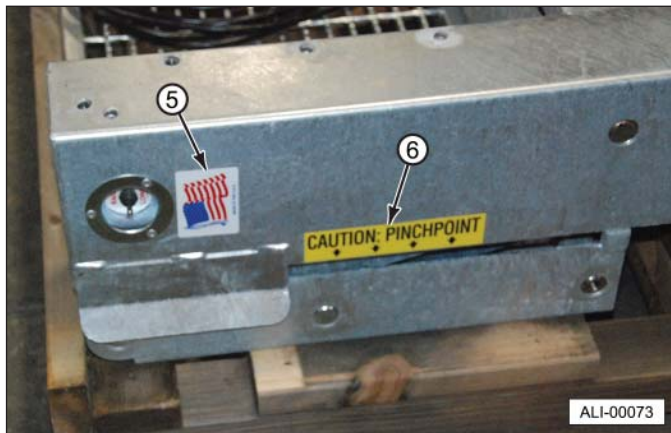
For a complete part number list of the decals used on the liftgate, refer to "12.7 Decals" on page 46.

For replacement decals contact:

**Anthony Liftgates, Inc.**  
1037 West Howard Street  
Pontiac, Illinois 61764  
(815) 842-3383 or 800-482-0003  
[www.anthonyliftgates.com](http://www.anthonyliftgates.com)



Customer installed decals.



Factory installed decals.

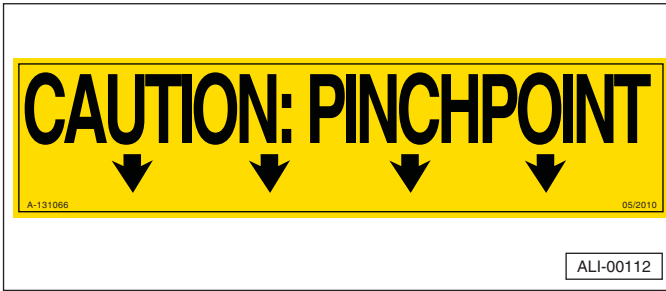


1. ATU-146

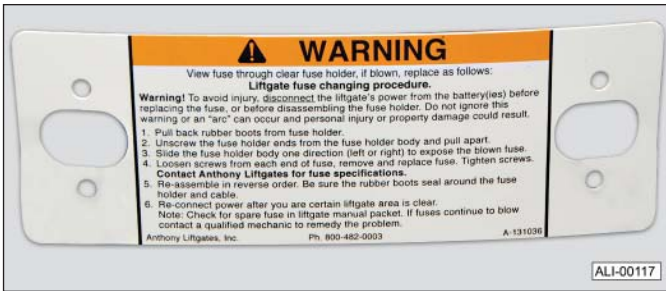




6. AR-18-76



7. A-131036



## 8. Final Inspection Checklist

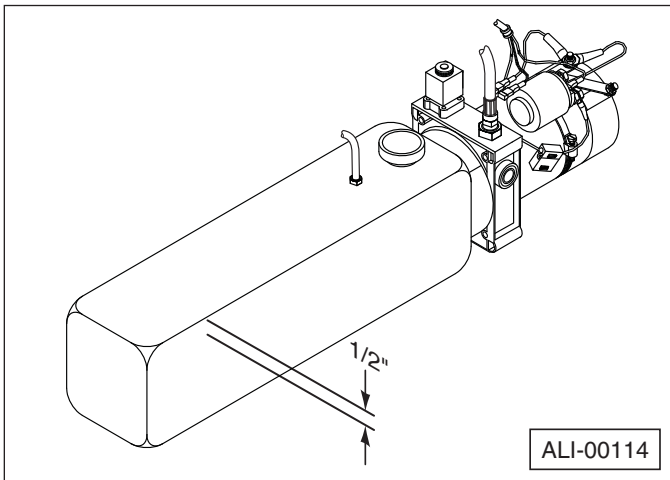
### **⚠ WARNING**



**Do not use the liftgate if any of the items in the Final Inspection Checklist are not checked and verified. If you have any questions, contact your nearest Anthony distributor, or the Anthony Liftgates main office.**

- Check all nuts and bolts to make sure they are tightened securely.
- Make sure all pins are in place and held with proper retainers.
- Make sure the power unit reservoir is filled.

With the platform on the ground, the oil level should be within 1/2 inch of the top of the reservoir.



- Install cover on power unit box. Make sure it is properly secured.
- Operate the liftgate through its entire operational cycle (Up, Down) several times. Make sure the liftgate operates evenly, freely, and smoothly throughout the entire operating range and that there is no unusual noise or vibration while operating the liftgate.
- Make sure the latch works correctly.
- Make sure the platform is adjusted properly.
- Make sure all decals are in place and legible.
- Make sure license plate bracket is properly installed, as required by law.
- Make sure lights are installed and operating properly, per FMVS 108.
- Make sure reflectors are re-installed, if any.
- Make sure grab handles and other ingress/egress items are properly installed as may be necessary.
- Make sure the optional cab cut-off switch or power cut-off solenoid is installed.
- Put Installation and Operation manual in the vehicle.

## 9. Operation Section

### 9.1 General Safety Operating Instructions

#### **⚠ WARNING**



Do not stand in the platform's work area while operating the liftgate. Serious injury or death could result if the load shifts or is unstable on the platform.

The following is a list of Do's and Don'ts for the operation of the liftgate.

#### ✓ Do's

- ✓ Read and follow warning decals, operating decals, and owners manual.
- ✓ Keep all decals in place and legible and retain the owners manual with the vehicle or all Warranties are void.
- ✓ Make sure the vehicle is properly and securely braked before using the liftgate.
- ✓ Keep yourself clear of all moving parts.
- ✓ Make sure the area in which the platform will open and close is clear before opening, closing, raising, or lowering the platform.
- ✓ Make sure the platform area, including the area in which loads may fall from the platform, is clear before, during, and at all times while operating the liftgate.



Proper operating position.

- ✓ Always place the load as close to the center of the platform as possible. Also, position the load as close to the truck's rear sill as possible.
- ✓ Only operate the liftgate with the switch controls mounted on the liftgate.
- ✓ Check the oil level in the hydraulic reservoir monthly. Change it if it is contaminated or dirty.

- ✓ Visually inspect your liftgate frequently and keep it properly adjusted.
- ✓ Repair any damage to the liftgate to prevent accidents.

#### ✓ x Don'ts

#### **⚠ WARNING**

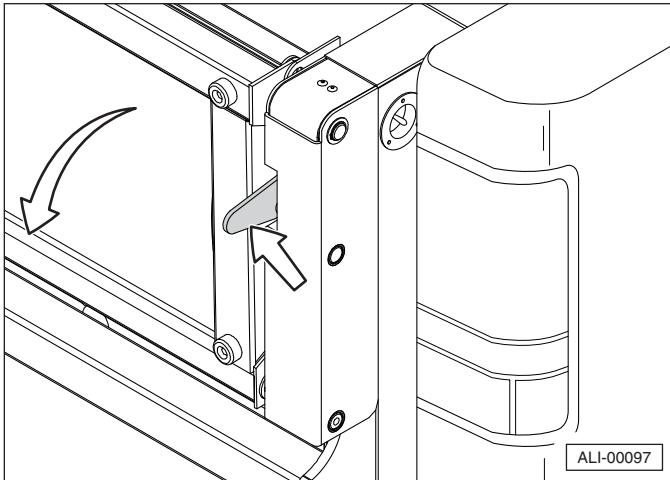


Never place more than the rated load onto the platform. Lifting more than the maximum capacity will result in serious injury or death.

- x Do not overload the platform. The maximum rated capacity is based on an evenly distributed load on the platform's flat surface.
- x Anthony Liftgates recommends not riding the liftgate. However, if the delivery operation requires it, make sure your footing is stable before raising or lowering, platform. Always stand away from the edge. When on the ground, always stand clear of the liftgate when it is operating.
- x Do not allow children to play around or operate the liftgate.
- x Do not allow the liftgate to be used by persons not familiar with its operation.
- x Do not use the liftgate if it shows signs of abuse or fails to operate freely.
- x Do not allow the motor/pump to run after the liftgate is closed, or in the up position.
- x Do not use brake fluid in the hydraulic reservoir.
- x Do not bounce the platform by pushing and releasing the control switch abruptly.
- x Do not use the liftgate for anything other than its intended use of loading and unloading cargo.
- x Do not operate lift trucks on or over any part of the platform.
- x Do not stand under or place any object under the liftgate work area.

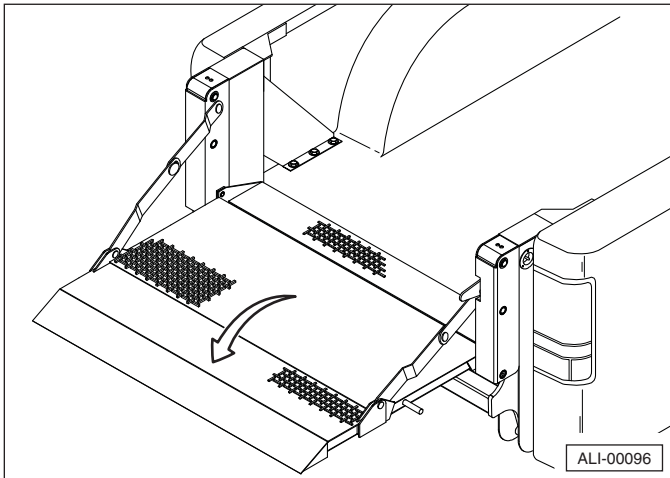
## 9.2 Operating Instructions

1. On the curbside of the liftgate, lift the latch handle to disengage the latch from the pin. Fold down the main deck platform.

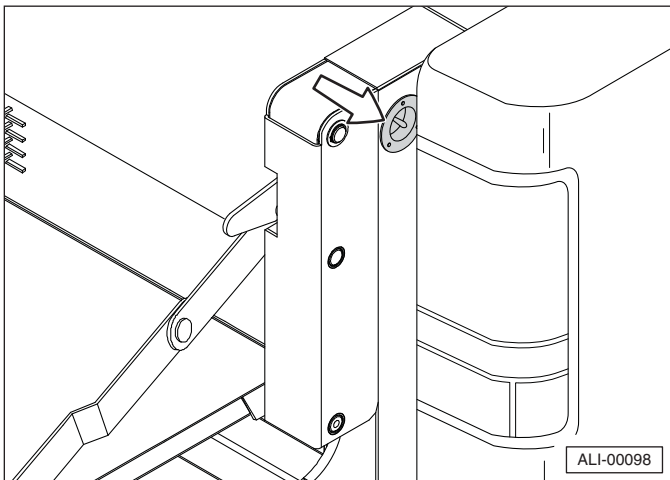


4. To close the gate, press the Raise/Lower toggle switch up to raise the platform to bed height.
5. Fold the ramp closed, then fold the platform to the vertical position.
6. Make certain the latch handle has locked on the latch pin.

2. Fold open the flip-over section of the platform.



3. Press the Raise/Lower toggle switch down to lower the platform.





## 10. Maintenance Section

### 10.1 Monthly Inspection

All Anthony Liftgates are “Service-Free” which means they have lubrication-free bushings at the major pivot points.

1. Make sure the liftgate operates freely and smoothly throughout its entire range of movement with no unusual noises or vibrations.
2. Check to see that all mounting bolts are tight.
3. Check for damage to the liftgate, such as bent or distorted parts. Check for excessively worn parts. Replace all worn or damaged parts.
4. Check for cracked welds which may have resulted from overload or abuse.
5. Check all pins and pivot points. Make sure they are secured with proper retainers. Replace worn bushings and/or pins.
6. Check that the latch works properly.
7. Make sure all electrical wires, switches, and connections are in good working condition and operate properly.
8. Check for oil leaks in the following areas:
  - a. Hydraulic lift cylinder.
  - b. Hydraulic hoses. Replace the hose if it show signs of leakage or excessive abrasion of the covering.
  - c. Check all hydraulic fittings for damage or leakage. Tighten fittings to stop leaks or replace if damaged.
9. Check reservoir oil level.
  - a. With the platform on the ground, the oil level should be within 1/2 inch of the top of the reservoir.
  - b. Fill as required with Dexron III or equivalent.

### NOTICE

*Use only Dexron III or equivalent in the power unit reservoir. Do not use brake fluid.*

10. Check the fluid level of the vehicle battery. Fill as required.
11. Examine all warning, capacity, and operational decals. If they are not readable, they should be replaced. Decals may be obtained free of charge from Anthony Liftgates, Inc.

### 10.2 Maintenance and Troubleshooting

#### Procedures

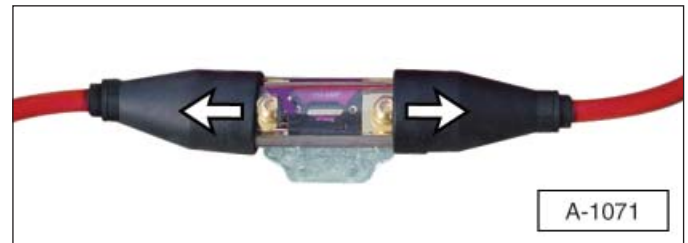
#### 10.2.1 Replacing the Fuse

### WARNING

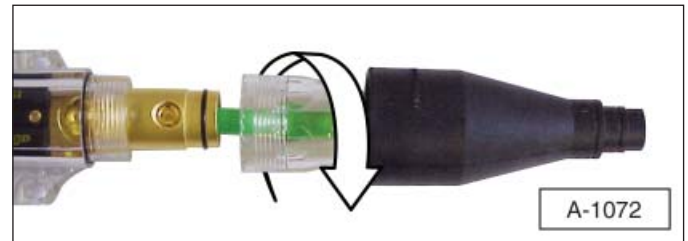


To avoid personal injury, disconnect the power cable from the battery(ies) before replacing the fuse, or before disassembling the fuse holder. Ignoring this warning can cause an electrical “arc”, resulting in personal injury or property damage.

1. Slide the rubber boots away from the fuse holder.

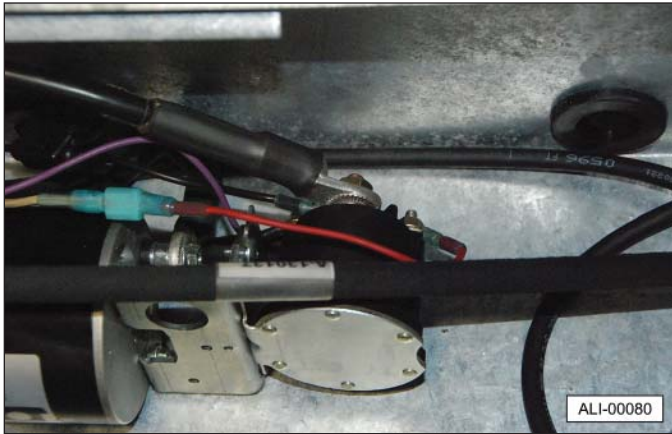


2. Unscrew the fuse holder ends from the fuse holder body and pull it apart.



3. Slide the fuse holder body one direction (left or right) to expose the damaged fuse.
4. Loosen the screws from each end of the fuse, remove, and replace the fuse. Retighten the screws.
5. Re-assemble the fuse holder in reverse order. Be sure the rubber boots are sealed around the fuse holder and power cable.
6. Re-connect the power after you are certain the liftgate area is clear.

## 10.2.2 Checking Motor Start Solenoid and Power Cut-off Solenoid



Motor start solenoid.



Power cut-off solenoid.

Both the motor start solenoid and power cut-off solenoid (if installed) can be checked by bypassing the solenoid itself.

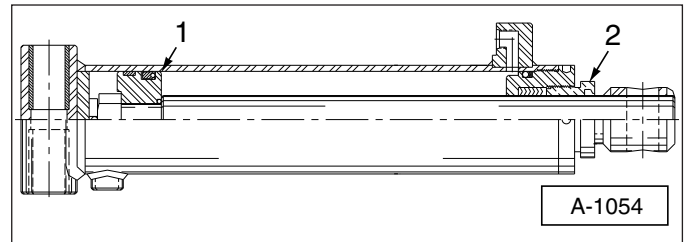
1. Use jumper cables for this test.
2. Connect one jumper cable to battery side (2) of the solenoid. Connect the other cable to motor side (1) of the solenoid.
3. If the liftgate is activated, the solenoid is defective and should be replaced.

## 10.2.3 Checking the Power Cable

To check for a defective power cable, run the motor directly from a spare battery using jumper cables.

1. Remove the battery connection to the motor.
2. Connect the negative jumper cable (ground) directly to the liftgate. Connect the positive cable to the terminal on the motor start solenoid.
3. If the motor operates, the battery cable is defective and should be replaced.

## 10.2.4 Checking Cylinder Piston Seals (drifting - caused by seal leakage)



Piston rod seals (1) and packing gland nut and seals (2).

1. Completely raise the liftgate and hold the switch in the "UP" position while checking for oil flowing out of the cylinder's breather port.
2. If a continuous flow of oil comes out of this port (while the liftgate is all the way up and the switch is held "UP"), then the piston seals are leaking and the cylinder should be rebuilt or replaced.

If the cylinder is under warranty, do not rebuild. In these cases the cylinder will be replaced.

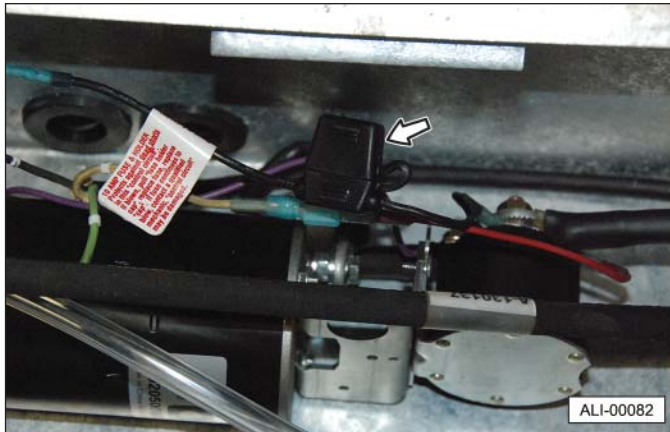
## 10.2.5 Checking Flow Control Valve



If the cylinder does not operate or operates slower than normal, remove the flow control valve and hook the hydraulic hose directly to the cylinder. If the cylinder operates properly, replace the flow control valve.

## 10.2.6 Checking Control Switch Fuse

If the control switch is not operating the liftgate, check the in-line fuse located on the control cable inside the power unit box.



### 10.3 Troubleshooting Chart

Problem	Possible Causes	Possible Solution
Motor does not run when control switch is activated.	Cut-off switch.	Turn switch to ON position.
	Dead battery.	Make sure battery is fully charged. Check for loose or corroded battery connections. Replace or recharge battery.
	Circuit protection (fuse or breaker).	Replace fuse. Refer to "10.2.1 Replacing the Fuse" on page 33.
	10 Amp fuse in power unit box.	Replace, if fuse is blown. If problem persists, check for shorts in the electrical system.
	Motor start solenoid.	Check solenoid. "10.2.2 Checking Motor Start Solenoid and Power Cut-off Solenoid" on page 34.
	Optional power cut-off solenoid.	Check solenoid. "10.2.2 Checking Motor Start Solenoid and Power Cut-off Solenoid" on page 34.
	Battery cable.	Replace cable. Refer to "10.2.3 Checking the Power Cable" on page 34.
	Motor.	If the motor is determined to be defective, it should be replaced. Defective motors are typically caused by weak batteries (low voltage), loose connections, corrosion, or a poor ground.  If the motor does not operate in freezing conditions, make sure the motor housing does not contain water.
Liftgate will not lower to the ground.	Platform operating area is not clear.	Clear area.
	Structural damage.	Fix damage. Replace worn parts.
	Defective flow control valve.	Replace flow control valve.
	Defective control switch.	Check switch for continuity, replace if defective.
Motor runs, but platform will not raise, will not raise rated capacity, raises partially, or raises but drifts down when control switch is released.	Load capacity has been exceeded.	Verify load capacity and adjust load weight.
	Structural damage.	Replace damaged parts.
	Low hydraulic fluid level.	Fill reservoir. Refer to "10.1 Monthly Inspection" on page 33.
	Air in hydraulic lines.	Check oil level in reservoir. "10.1 Monthly Inspection" on page 33.
	Low Voltage.	Inspect electrical connections, battery terminals, and check the battery's voltage (9 Volts minimum).
	Defective piston seals.	See Maintenance section for Checking Cylinder for Leakage. "10.2.4 Checking Cylinder Piston Seals (drifting - caused by seal leakage)" on page 34.
	Hydraulic pump is worn.	Replace hydraulic pump.

<b>Problem</b>	<b>Possible Causes</b>	<b>Possible Solution</b>
Foaming hydraulic oil.	Air in the hydraulic hose(s).	Check oil level in reservoir. "10.1 Monthly Inspection" on page 33.
	Broken or loose fluid return tube.	Check the oil reservoir and make sure the return tube is below the oil level.
Hydraulic fluid leaking from cylinder.	Bad piston rod seals.	See Maintenance section for Checking Cylinder for Leakage. "10.2.4 Checking Cylinder Piston Seals (drifting - caused by seal leakage)" on page 34.
	Cylinder rod pitted due to excessive wear or object dropping on rod.	Replace cylinder.
	Loose hydraulic connections.	Tighten fittings.
Liftgate will not open.	Platform operating area is not clear.	Clear platform operating area.



# 11. Limited Warranty

## 11.1 Limited Warranty

### ALB - 2 yr Mechanical/Electric/Hydraulic

Thank you for purchasing an Anthony liftgate. We strive to produce the most trouble free and reliable liftgates in the market. We are sure you will experience years of reliable operation. To further insure your confidence in Anthony, this warranty will cover your unit for 2 years on mechanical/structural, electrical, and hydraulic operating parts. This warranty is extended to the original purchaser (user only) and is not transferable. The warranty term begins from the date of shipment from our factory or warehouse.

Anthony Liftgates Inc. will cover all failed components during the warranty period. Labor will be provided under our Flat Rate Warranty Schedule, in effect at the time of the part failure, and includes diagnosis time. Contact Anthony for current reimbursement amounts. For repairs NOT listed on the Flat Rate Warranty Schedule, contact the Anthony Warranty Department for approved reimbursement, prior to performing repairs. Anthony Liftgates Inc. reserves the right of determination of whether a component is defective or has failed. This warranty applies to Anthony liftgates installed, operated, and maintained in accordance with Anthony Liftgates Inc. installation, operation, and maintenance manuals, videos, etc.

Certain Anthony models have published Lifetime Warranties on listed components, as published in current literature. This additional coverage will be detailed on the published operation components, providing the unit has been operated and maintained within the intended usage.

Anthony Liftgates, Inc. will process all claims and determine their eligibility for authorization upon the receipt of the failed part, the identification of the claimant, and the liftgate serial number. All parts must be returned freight prepaid and following the instructions given by the Anthony Warranty Department. Freight collect shipments will not be accepted.

**PLEASE NOTE THAT NO CLAIMS WILL BE PROCESSED WITHOUT THE PART, THE CLAIMANT'S INFORMATION, AND THE LIFTGATE SERIAL NUMBER.**

Claims not submitted within 30 days of repair date will be denied.

**NOTE: ALL CLAIMS MUST BE COMPLETED ON THE ANTHONY LIFTGATES INC. WARRANTY CLAIM FORM.**

This form provides all the necessary information.

Upon approval of the claim, Anthony will, at the direction of the claimant, return a replacement part and labor allowance, or a parts credit based on current distributor net pricing, and the appropriate flat rate labor allowance.

Anthony Liftgates, Inc. is not responsible or liable for loss of time, cost, labor, material, profits, direct or indirect damages caused by failed components, whether due to rights arising under purchase, order, contract of sale or independently thereof, and whether or not such claim is based on contract, tort, or warranty. The sale of products of Anthony Liftgates, Inc. under any other warranty or guarantee express or implied is not authorized. This warranty does not cover misuse, abuse, damage, or product finish, normal wear, maintenance adjustments, careless or negligence of use or maintenance. Modifications to our product are not covered unless prior authorized by Anthony.

If you require assistance or have questions, please contact Anthony Liftgates Inc. at 815-842-3383.

**NOTE:** Most (not all) Anthony liftgate models incorporate our Service-Free feature. Service-Free refers to the fact that these models require no routine or scheduled lubrication of the major pivot points that contain our service-free bushings. Normal repair and maintenance of your liftgate, per our instruction, is necessary for ALL Anthony liftgates.

Anthony Liftgates, Inc.  
1037 W. Howard St. P.O. Box 615  
Pontiac, IL 61764-0615

PH: 815-842-3383  
FAX: 815-844-3612  
E-Mail: warrantyclaims@anthonyliftgates.com

## 11.2 Warranty Policy and Procedure

All warranty claims must be completed on the Anthony Liftgates Warranty Claim Form utilizing the Flat Rate Warranty Schedule. See the current rates as listed for each model. Using this process will allow for quick and accurate credit payment.

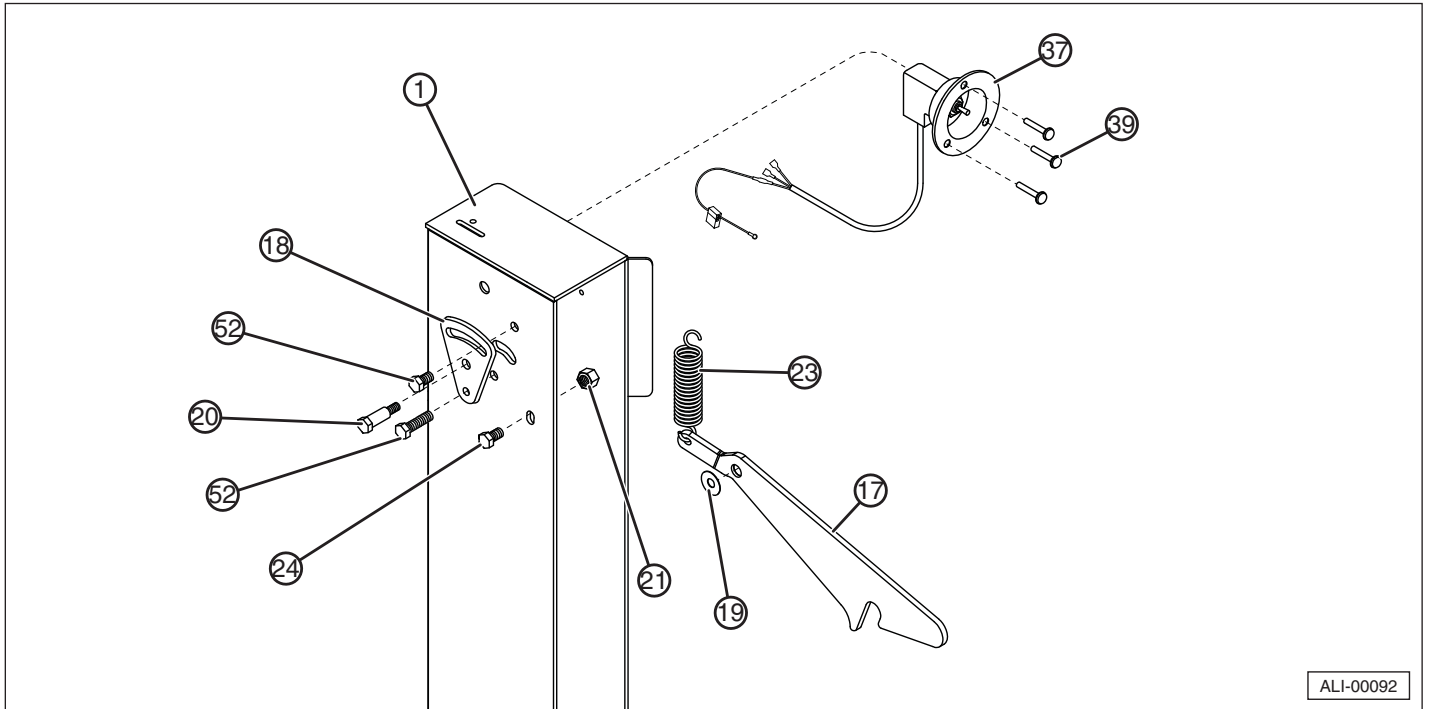
Claims will not be processed without the failed part returned (pre-paid) to Anthony Liftgates, and the warranty claim form completed.

**NOTE:** When returning defective parts for warranty consideration, be sure to call ahead for a Return Authorization Number.

If you require further assistance or have questions, please contact the Anthony Liftgates Warranty Dept. at 815-842-3383 or email: warrantyclaims@anthonyliftgates.com.

## 12. Parts Section

### 12.1 Locking Mechanism Assembly Parts

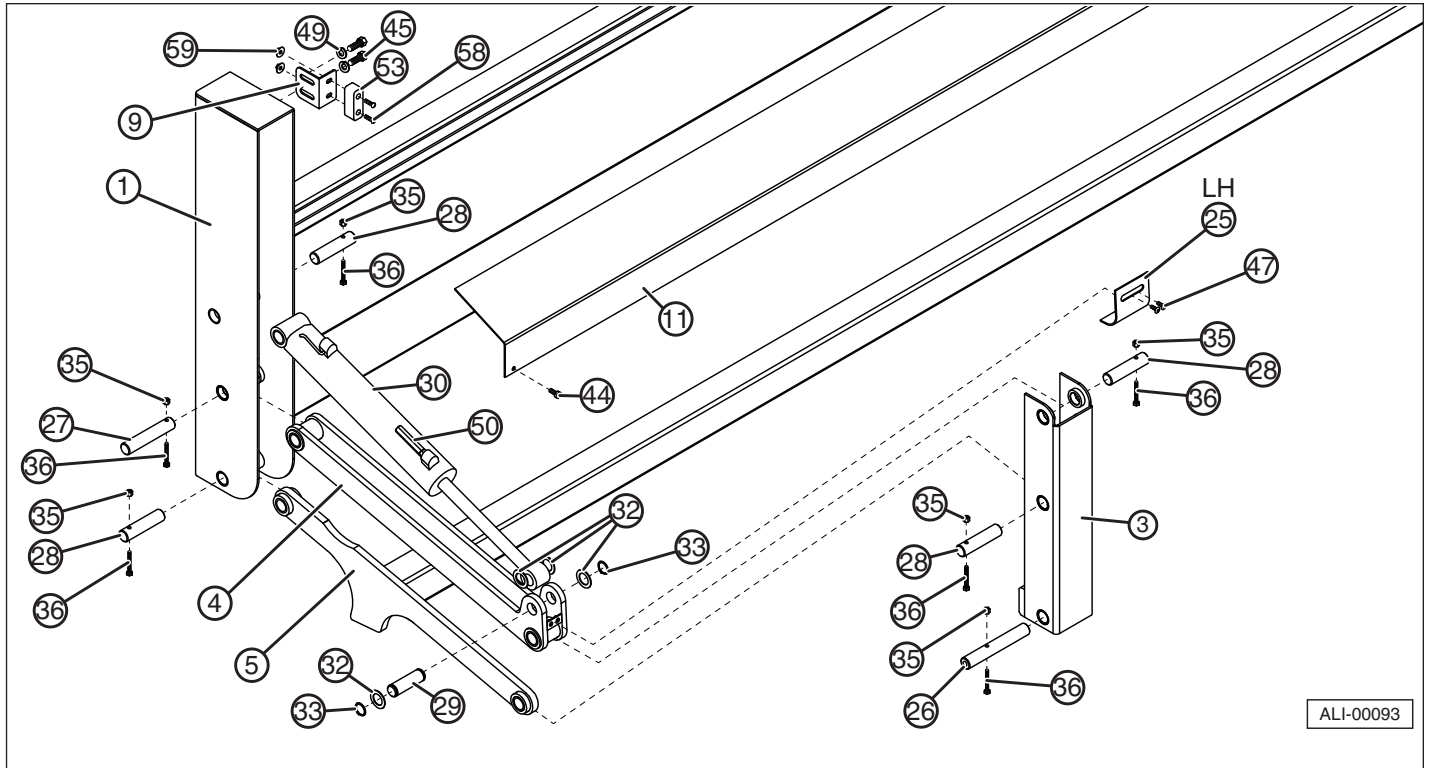


ALI-00092

Item	Part No.	Description	Qty.
1	A-135020	H-Frame	1
17	A-135008	Lock Arm	1
18	A-135011	Lock Link	1
19	A-132056	Teflon Washer	1
20	A-132057	1/2" Dia. x 3/4" Long Shoulder Bolt, 3/8-16 Thread	1
21	2064	3/8-16 Lock Nut	2
23	A-132058	Extension Spring	1
24	A-132059	3/8-16 x 1/2" Cap Screw	1
37	A-135371	Liftgate Control Switch	1
39	A-132030	3/16" Blind Rivet	3
52	ATU247	3/8-16 x 1-1/2" Cap Screw	2



## 12.2 Lifting Mechanism Assembly Parts

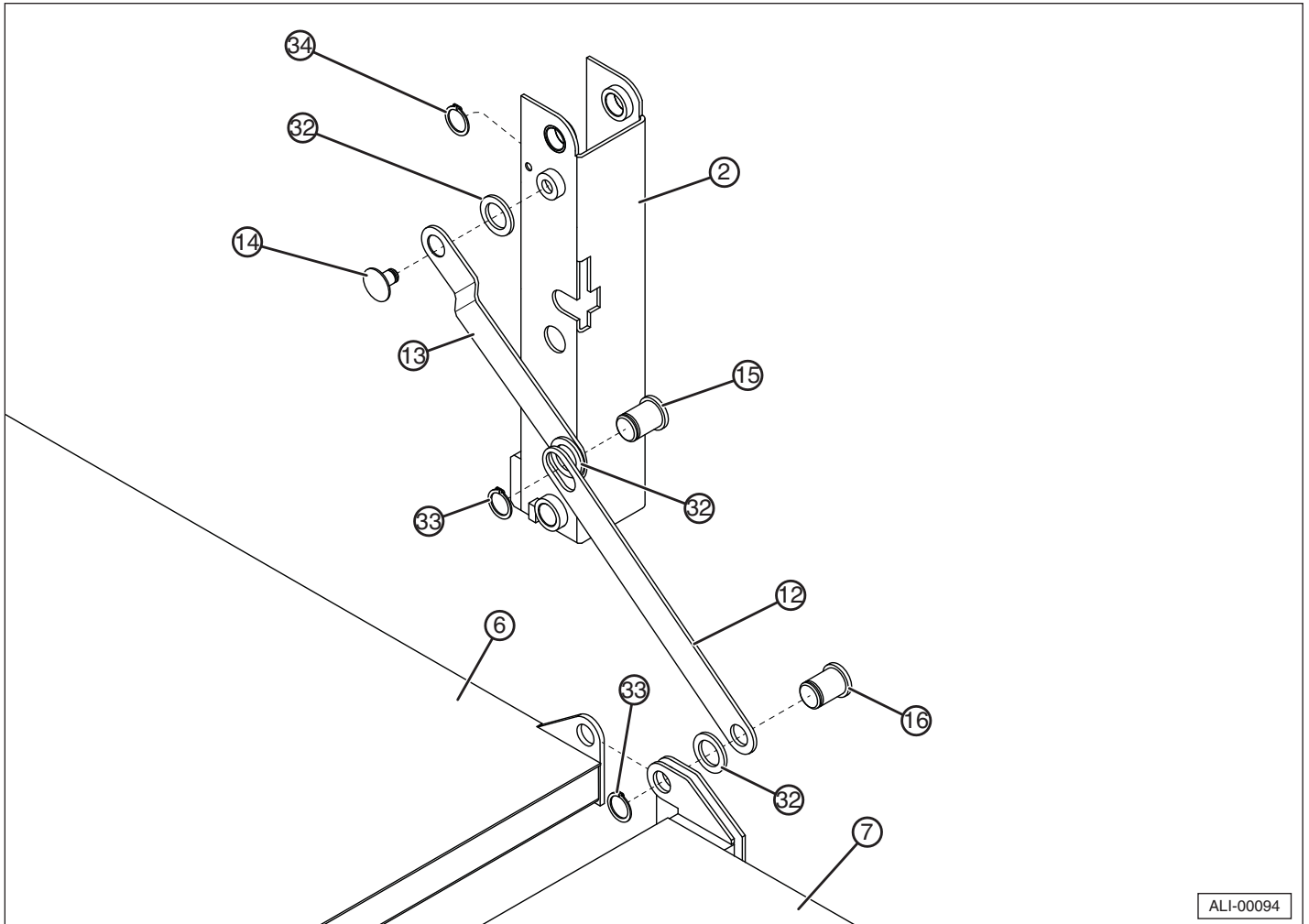


Item	Part No.	Description	Qty.
1	A-135020	H-Frame	1
3	A-135083-L A-135083-R	LH Moving Post (shown) RH Moving Post	1
4	A-135016	Cylinder Link Arm	1
5	A-135036	Cross Arm	1
9	A-135027	Bracket - Bumper	1
11	A-135003	Hydraulic Housing Cover	1
25	A-135018-L A-135018-R	Cap - Top Plate LH (shown) Cap - Top Plate RH	1
26	A-135077	Platform Rotation Pin	1
27	A-135080	Cylinder Base Pin	1
28	A-135081	Cross Arm Pin	4
29	A-135082	Cylinder Rod End Pin	1
30	A-130240	Cylinder	1
32	A-132060	Thrust Washer	4

Item	Part No.	Description	Qty.
33	A-150060	Snap Ring 1" Shaft	2
35	ATU359	1/4-20 Lock Nut	6
36	ATU358	1/4-20 x 2" Cap Screw	6
44	A-132031	5/16-18 x 3/4" Cap Screw	2
45	834	3/8-16 x 1" Cap Screw	2
47	A-132062	1/4-20 x 3/4" Button Head Cap Screw	2
49	2054	3/8" Lock Washer	2
50	A-130104	Flow Control Valve	1
53	A-155037	Rubber Bumper	1
58	718	1/4-20 x 1" Hex Bolt	2
59	719	1/4-20 Flange Nut	2

Lowering & lifting mechanism assembly parts & fasteners common to LH & RH side.

## 12.3 Linkage Assembly Parts

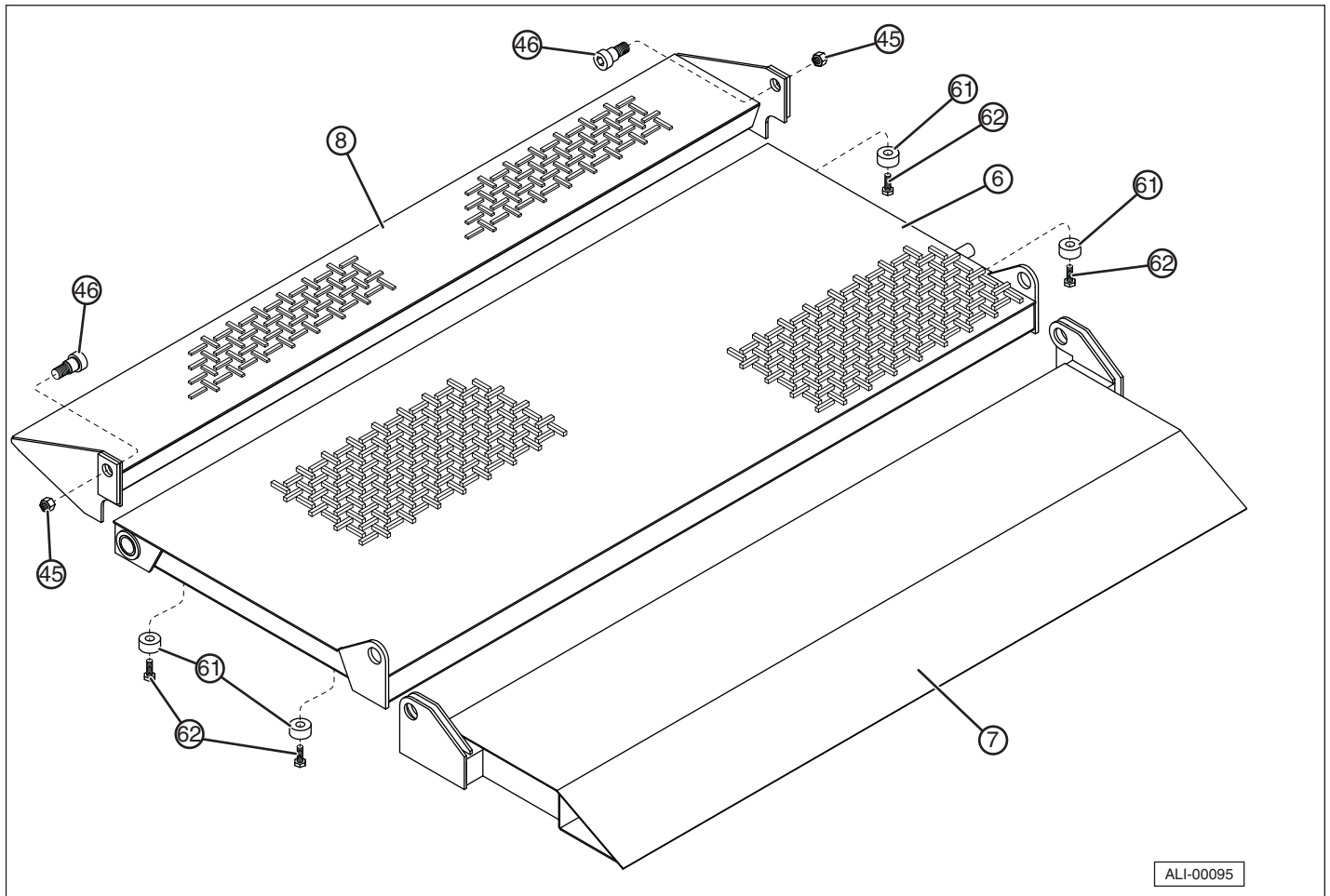


ALI-00094

Item	Part No.	Description	Qty.
2	A-135025-R A-135025-L	RH Moving Post (shown) LH Moving Post	1
6	A-135039	Platform	1
7	A-135050	Platform Foldover	1
12	A-135060	Platform Long Link	1
13	A-135061	Platform Short Link	1
14	A-135062	Weldment Linkage Pivot Pin	1
15	A-135063	Linkage Pivot Pin	1
16	A-135064	Foldover Pivot Pin	1
32	A-132060	Thrust Washer	3
33	A-150060	Snap Ring 1" Shaft	2
34	473	Snap Ring 3/4" Shaft	1

Linkage Assembly parts & fasteners common to LH & RH side.

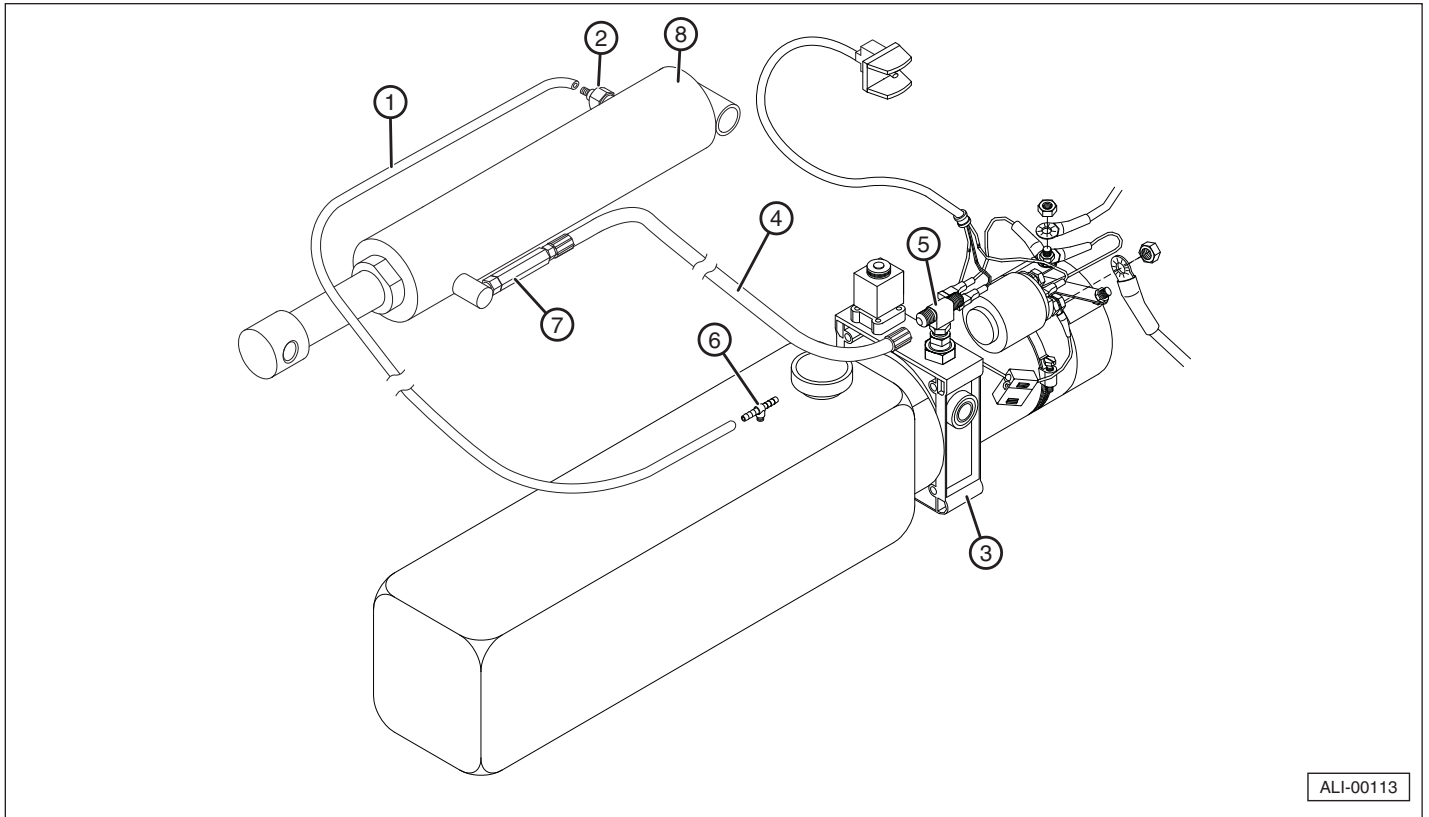
## 12.4 Platform Assembly Parts



ALI-00095

Item	Part No.	Description	Qty.
6	A-135039 A-135126	Platform Platform - Aluminum	1
7	A-135050 A-135140	Platform Foldover Platform Foldover - Aluminum	1
8	A-135070	Rear Platform	1
45	A-135024	1/2-13 Lock Nut	2
46	A-132063	Shoulder Screw, 5/8" Dia. x 1/2-13	2
61	A-132069	Rubber Bumper	4
62	6608	5/16-18 x 1" Cap Screw	4

## 12.5 Hydraulic Components



ALI-00113

Item	Part No.	Description	Qty.
1	ATU125	Breather Line (60")	2
2	A-130162	Barbed Fitting	2
3	A-130050	Pump & Reservoir	1
4	A-130134	Hydraulic Hose (53")	1
5	A-130154	Branch Tee	2
6	A-130036	Barbed Tee	1
7	A-130104	Flow Control Valve	2
8	A-130240	Cylinder	2

## 12.6 Liftgate Mounting Parts



Item	Part No.	Description	Qty.
1	A-150218	Reinforcement Plate	2
2	A-150127-R	Lower Support Bracket - RH	1
3	A-150127-L	Lower Support Bracket - LH	1
4	A-135296	Mounting Strap - RH	1
5	A-135297	Mounting Strap - LH	1
6	A-135089-R	Mounting Strap - Short - RH	1
7	A-135089-L	Mounting Strap - Short - LH	1
8	A-135116	License Plate Holder	1
9	A-150095	Cable Ties	20
10	<b>The Following Items are in Hardware Package A-135160</b>		
	A-135087	Strap Washer	2
	A-132085	1/2-13 x 1" Hex Head Cap Screw	10
	A-150065	1/2" Flat Washer	10
	A-150074	1/2" Lock Washer	10
	ATU159	3/8-16 x 1" Carriage Bolt	5

Item	Part No.	Description	Qty.
	2054	3/8" Lock Washer	17
	P162	3/8" Hex Nut	17
	A-133073	Ground Cable	1
	A-133008	3/8" Cable Lug	1
	A-133007	1/4" Cable Lug	2
	ATU247	3/8-16 x 1-1/4" Hex Head Cap Screw	6
	2058	3/8" Flat Washer	17
	A-150091	Light Kit	1
	A-132072	#8 x 1-1/2" Stainless Stl Self Drilling Screw	4
	A-135165	Lens Mounting Bracket	2
	5434	5/16-18 x 3/4" Bolt	2
	2019	3/8-16 x 1-3/4" Hex Head Cap Screw	6

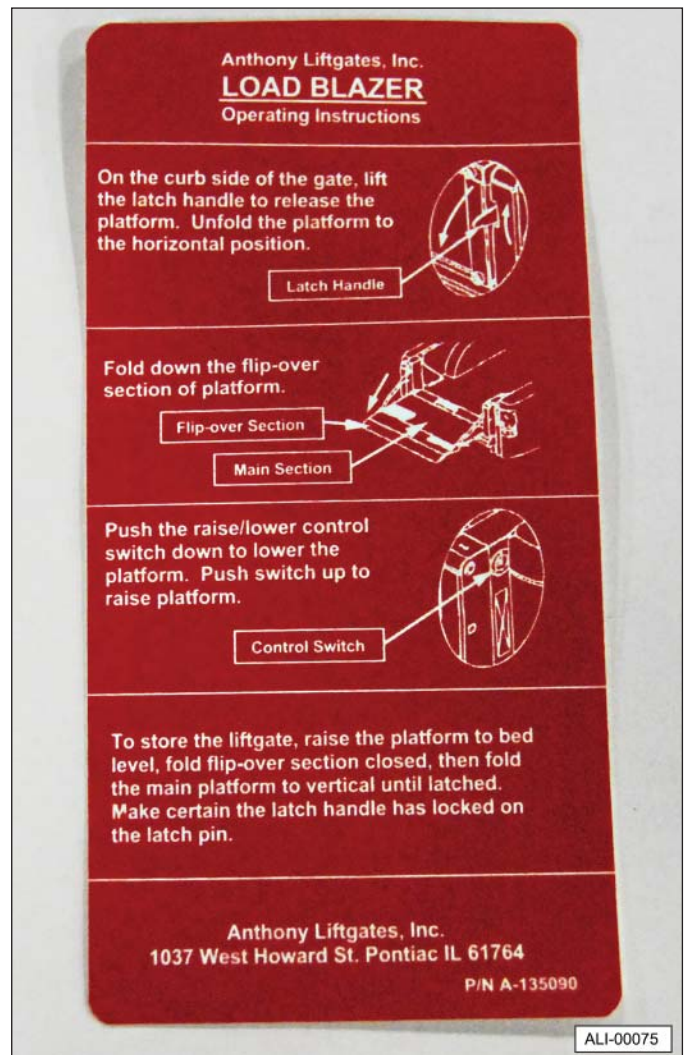
## 12.7 Decals

ALB Liftgate Safety Decals				
Item	Part No.	Description	Qty.	Remarks
1	ATU-146	Stand Clear - Do Not Ride on Lift	2	
2	A-135090	Operating Instructions	1	
3	A-131015	1500 lb. Maximum Capacity	2	
4	Q-003013	Urgent Warning - Elevating Gate Instructions	1	
5	A-150601	Made in USA	1	
6	AR-18-76	Caution: Pinchpoint	2	
7	A-131036	Fuse Replacement Instructions	1	Attached to power cable

### 1. ATU-146



### 2. A-135090



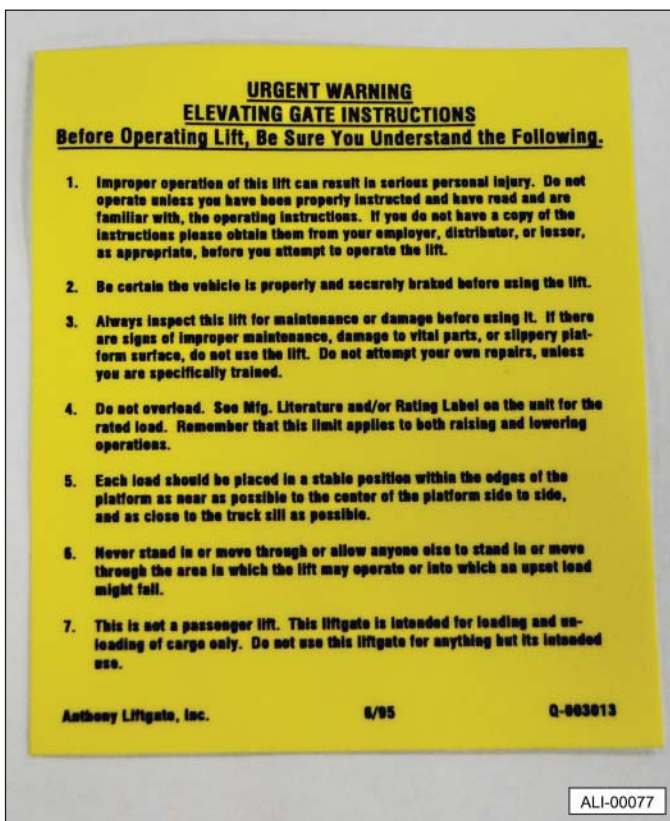
3. A-131015



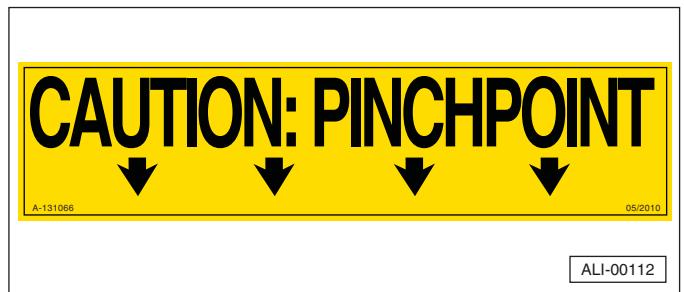
5. A-150601



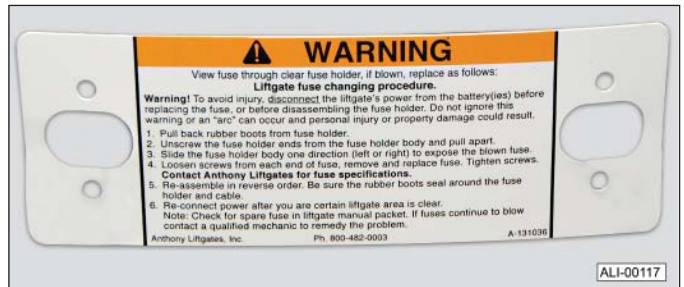
4. Q-003013



6. AR-18-76



7. A-131036



## Notes



## Notes

## Notes



**ANTHONY**  
LIFTGATES, INC.®

**ALB LOADBLAZER®**



**ANTHONY LIFTGATES, INC.**  
**1037 W. HOWARD ST • P.O. BOX 615**  
**PONTIAC, IL 61764-0615**  
**PH: 815-842-3383**  
**FAX: 815-844-3612**  
**TOLL FREE: 800-482-0003**  
**WWW.ANTHONYLIFTGATES.COM**